

DAIKIN



Marine type Container Refrigeration Unit

Service Manual · Parts List

Optional Functions

LXE10E-A31

LXE10E-A31A

LXE10E-A31B

Covered Models

Regarding the features and operation of the unit, this service manual describes the items which are different from those of the service manual TR01-09A.

NO.	Item	Different points from service manual (Maintenance and Repair)
1☆	Dehumidification function	Refer to the details in the following pages.
2☆	Setting temperature range	Refer to the details in the following pages.

For the ☆ marked items, refer to the details in the following pages.

Difference between LXE10E-A31 and A31A.

Model	Controller
LXE10E-31	DECOS III c
LXE10E-31A	DECOS III d
LXE10E-31B	DECOS III d

CONTENTS

Safety Precautions

• Danger	3	3.10 Chartless function	3-56
• Warning	4	3.10.1 Chart indication function	3-56
• Caution	5	3.10.2 P code (Pull down time indication)	3-58
1. Introduction	1-1	3.10.3 Chartless code display function	3-59
☆ 1.1 Operation range	1-1	3.10.3.1 List of chartless code	3-59
1.2 Basic Names of components	1-1	3.10.3.2 H-code	3-60
1.3 Basic operation of refrigeration unit	1-2	3.10.3.3 d-code:	3-62
1.3.1 Starting operation	1-2	3.11 Communication modem	3-63
1.3.2 Checking during operation	1-3	4. Service and Maintenance	4-1
1.3.3 Procedure after operation	1-3	4.1 Maintenance service	4-1
1.3.4 Adjust the ventilation	1-4	4.1.1 Collection of refrigerant	4-1
2. General description	2-1	4.1.2 Gauge manifold	4-1
2.1 Main specifications	2-1	4.1.3 Automatic pump down	4-3
2.2 Names of components	2-2	4.1.4 Refrigerant recovery and charge	4-5
☆ 2.2.1 Outside	2-2	4.2 Main components and maintenance	4-9
2.2.2 Inside	2-4	4.2.1 Scroll compressor	4-9
2.2.3 Control box	2-6	4.2.2 Fan and fan motor	4-11
2.3 Set point of functional parts and protection devices	2-9	4.2.3 PT and CT board (EC9756)	4-12
2.4 Operating pressure and running current	2-10	☆ 4.2.4 Electronic expansion valve	4-14
☆ 2.5 Operation modes and control	2-14	4.2.5 Suction modulation valve	4-15
2.5.1 Frozen mode	2-15	4.2.6 Drier	4-16
2.5.2 Chilled and partial frozen mode	2-17	4.2.7 Solenoid valve	4-17
2.5.3 Defrosting mode	2-19	4.2.8 Discharge pressure regulating valve	4-18
☆ 2.5.4 Dehumidification mode (Optional)	2-22	4.2.9 Check valve	4-18
2.5.5 Common control	2-23	4.2.10 High-pressure switch (HPS)	4-19
3. Electronic Controller	3-1	4.2.11 Low pressure transducer (LPT)	4-19
3.1 Function table	3-1	4.2.12 High pressure transducer (HPT)	4-20
3.2 Basic operation of electronic controller	3-3	4.2.13 Air-cooled condenser and evaporator	4-20
3.2.1 Control panel	3-3	4.2.14 Fusible plug	4-21
3.2.2 Operation mode and control	3-5	4.2.15 Liquid/moisture indicator	4-21
3.3 Operation procedure	3-6	4.2.16 Evacuation and dehydrating	4-22
3.3.1 Operation procedure flow chart	3-6	5. Optional Devices	5-1
3.3.2 Mode operation procedure	3-9	5.1 Electronic temperature recorder	5-1
1. Current (Operation state) indication mode	3-9	5.2 USDA transportation	5-3
2. Operation setting mode	3-10	5.2.1 Type of USDA sensor/receptacle	5-3
3. Battery mode	3-11	5.2.2 Initial setting	5-3
☆ 4. Mode operation	3-12	5.2.3 USDA sensor calibration	5-3
5. LED display light-OFF mode	3-14	5.2.4 USDA transportation requirement	5-3
6. Sensor indication mode	3-15	5.2.5 USDA report	5-3
7. Temperature record scroll mode	3-18	5.3 TransFRESH	5-5
8. Alarm record scroll mode	3-21	6. Troubleshooting	6-1
9. PTI record scroll mode	3-23	6.1 Refrigeration system and electrical system	6-1
3.3.3 Setting flow chart	3-24	6.2 Alarm codes on electronic controller	6-4
10. Optional function setting mode	3-26	6.3 Troubleshooting for automatic PTI (J-code)	6-9
11. Basic function setting mode	3-27	6.4 Diagnosis based on the recording chart	6-11
12. Optional condition setting mode	3-29	6.5 Emergency operation	6-14
13. Input data mode	3-31	6.5.1 Emergency operation of controller	6-14
14. Controller software download mode	3-32	6.5.2 Short circuit operation of controller	6-15
3.4 Alarm display and back-up function	3-33	6.5.3 Opening adjustment of electronic expansion valve	6-16
☆ 3.4.1 Alarm list	3-33	6.5.4 Opening adjustment of suction modulation valve:	6-17
3.4.2 Back-up operation at sensor malfunction	3-34	6.5.5 Automatic Back up for supply/ return air temperature sensors	6-18
3.5 Battery	3-36	6.6 Troubleshooting for automatic PTI (J-code)	6-19
☆ 3.5.1 Specifications	3-36	7. Appendix	7-1
3.5.2 Function	3-37	7.1 Standard tightening torques for bolts	7-1
3.6 Information interchange with personal computer	3-37	7.2 Standard tightening torque for flare nut	7-1
3.6.1 Data logging	3-38	7.3 Resistance of motor coil and solenoid valve coil	7-1
3.6.2 Software configuration	3-39	7.4 HFC134a, temperature-vapor pressure characteristics table	7-2
3.7 Inspection procedure for the electronic controller	3-41	7.5 Temperature conversion table and temperature sensor (SS/RS/DSS/DRS/RSS/RRS/EIS/EOS/SGS/AMBS) characteristics table	7-3
3.8 Controller replacement and the initial setting	3-42	7.6 Temperature conversion table and temperature sensor (DCHS) characteristics table	7-4
3.8.1 Controller replacement	3-42	7.7 High pressure transducer characteristics table	7-4
3.8.2 Initial setting & operation procedure	3-43	7.8 Low pressure transducer characteristics table	7-4
3.8.3 Initial setting table into spare controller	3-44	☆ 7.9 Piping diagram	7-5
3.9 PTI (Pre-Trip Inspection) and periodic inspection	3-45	7.10 Pilot lamps and monitoring circuit	7-6
3.9.1 Inspection item	3-46	7.11 Fuse protection table	7-7
3.9.2 Automatic PTI (Pre-Trip Inspection)	3-49	☆ 7.12 Schematic wiring diagram	7-9
3.9.2.1 PTI selection mode	3-50	7.13 Stereoscopic wiring diagram	7-10
3.9.2.2 Short PTI (S.PTI)	3-51		
3.9.2.3 Full PTI (F.PTI)	3-52		
3.9.2.4 Alarm list during PTI (Pre-Trip Inspection)	3-53		
3.9.2.5 Manual check (M.CHECK)	3-54		

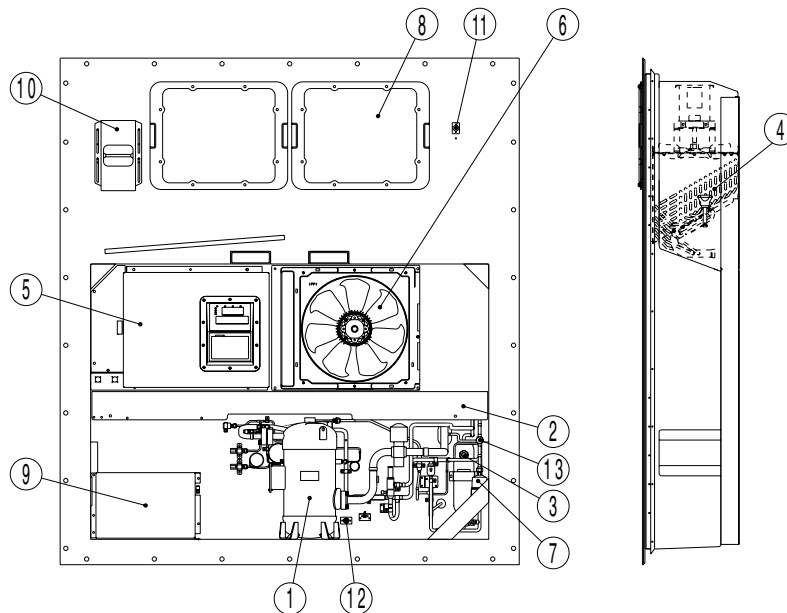
1. Introduction

1.1 OPERATION RANGE

Use the units within the following range.

Item	Operation range
Ambient temperature range	-30°C to +50°C (-22°F to + 122°F)
Inside temperature range	-30°C to +30°C (-22°F to + 86°F)
Voltage	50Hz: 380V/400V/415V, 60Hz: 440V/460V Voltage fluctuation rate should be within ±10%
Vibration and shock	2G

1.2 BASIC NAMES OF COMPONENTS



- | | |
|---|---|
| ① Compressor | ⑧ Access panel |
| ② Air-cooled condenser | ⑨ Storage space for power cable |
| ③ Receiver | ⑩ Ventilator |
| ④ Evaporator | ⑪ Sampling port (Return) (Use this port to measure the inside return air temperature.) |
| ⑤ Control box | ⑫ Gas sampling port (This is used to measure the inside supply air temperature and inside CO ² concentration.) |
| (Outside: switch, manual defrost switch, monitoring receptacle) | ⑬ Liquid moisture indicator |
| (Inside: circuit breaker) | |
| ⑥ Condenser fan | |
| ⑦ Drier | |

2. General description

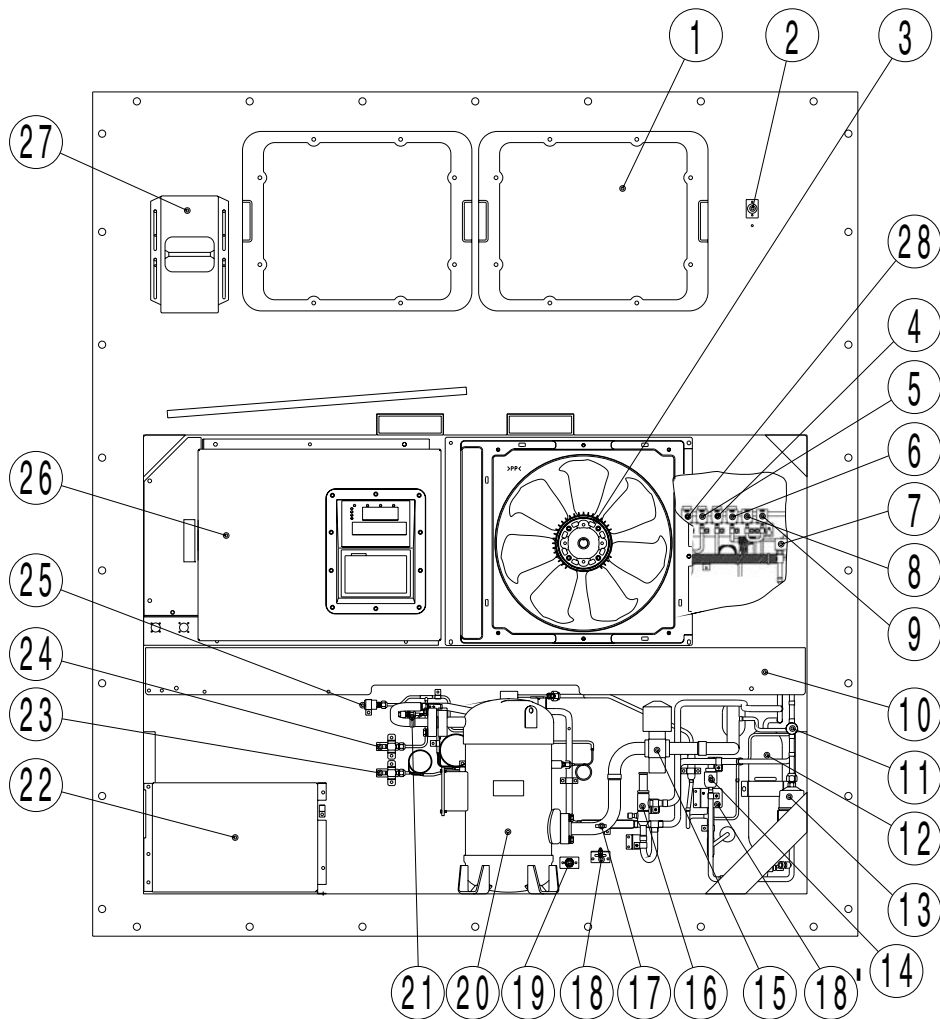
2.1 Main specifications

Item	Model	LXE10E
Condenser cooling system		Air cooled type
Controller		A31: DECOS III C/A31A, A31B: DECOS III d
Power supply		AC 3-phase 380V/400V/415V 50Hz, 440V/460V 60Hz
Compressor		Hermetic scroll type (Motor output: 5.5kW)
Evaporator		Cross fin coil type
Air-cooled condenser		Cross fin coil type
Evaporator fan		Propeller fan
Evaporator fan motor		Three-phase squirrel-cage induction motor
Condenser fan		Propeller fan
Condenser fan motor		Three-phase squirrel-cage induction motor
Defrosting	System	Hot-gas defrosting system
	Initiation	Dual timer, on-demand defrost and manual switch
	Termination	Detecting the temperature of evaporator outlet pipe and return air
Refrigerant flow control		Electronic expansion valve
Capacity control		Capacity control with hot gas bypass and suction modulating valve
Protective devices /Safety devices		Circuit breaker, PT/CT board (for over current protection). Compressor thermal protector Condenser fan-motor thermal protector Evaporator fan-motor thermal protector High-pressure switch, Fusible plug, Fuse (10A, 5A)
Refrigerant (charged amount)		R134a : 4.6 (kgf)
Refrigerant oil (charged amount)		IDEMITSU, Daphne hermetic oil FVC 46D : 2.2(ℓ)
Weight		495(kgf)

2.2 Names of components

2.2.1 Outside

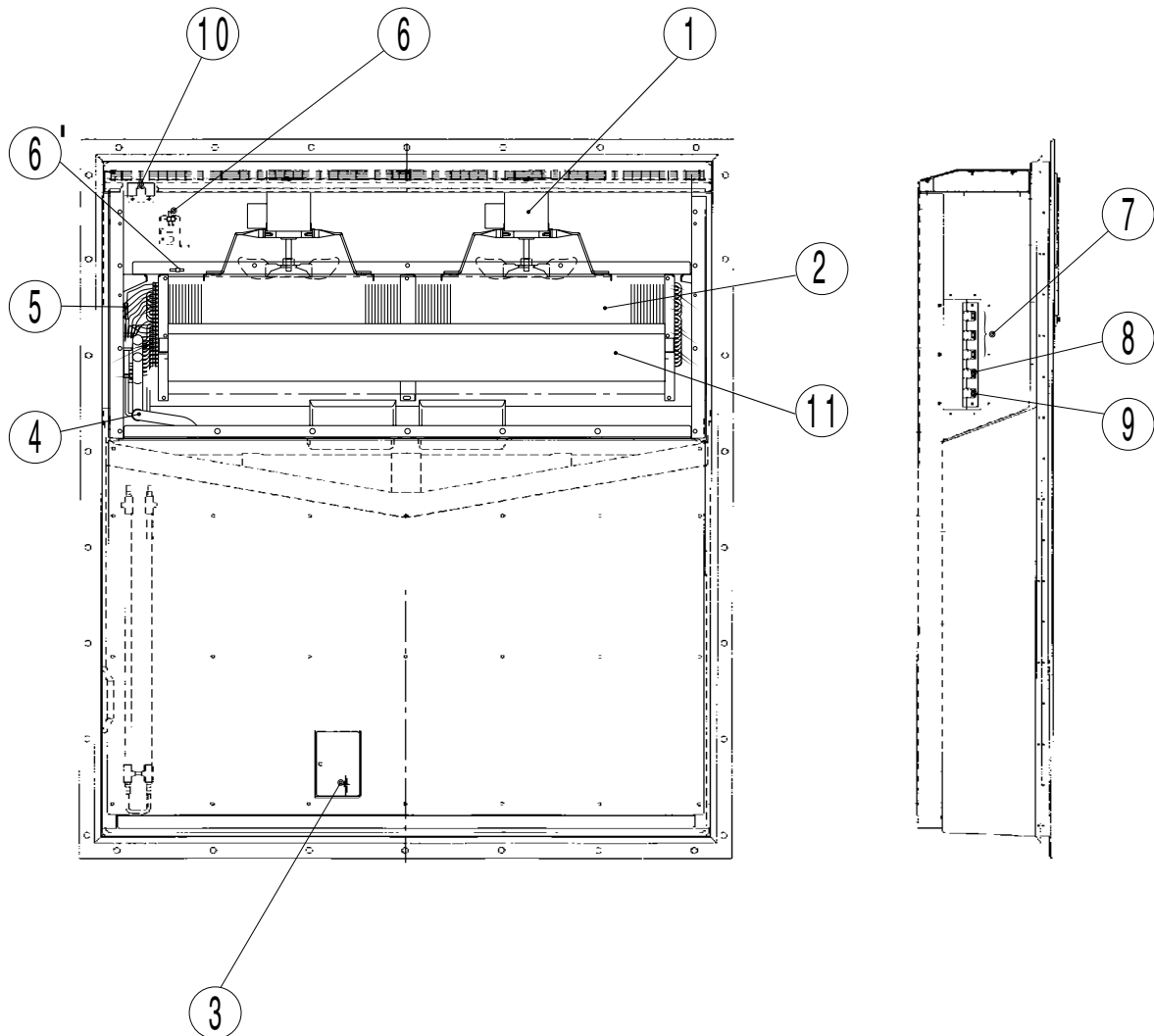
●LXE10E



- | | |
|--|--|
| ① Access panel | ⑰ Compressor suction pipe temperature sensor (SGS) |
| ② Thermometer check port (Return air) (A31, A31A only) | ⑱ Ambient temperature sensor (AMBS) (A31, A31A only) |
| ③ Condenser fan motor (CFM) | ⑱' Ambient temperature sensor (AMBS) (A31B only) |
| ④ Hot-gas solenoid valve (HSV) | ⑲ Thermometer check port (Supply air) |
| ⑤ Defrost solenoid valve (DSV) | ⑳ Compressor (MC) |
| ⑥ Discharge gas by-pass solenoid valve (BSV) | ㉑ Discharge pipe temperature sensor (DCHS) |
| ⑦ Electronic expansion valve (EV) | ㉒ Storage space for power cable |
| ⑧ Economizer solenoid valve (ESV) | ㉓ Low pressure transducer (LPT) |
| ⑨ Injection solenoid valve (ISV) | ㉔ High pressure transducer (HPT) |
| ⑩ Air-cooled condenser | ㉕ High pressure switch (HPS) |
| ⑪ Liquid/moisture indicator | ㉖ Control box |
| ⑫ Liquid receiver | ㉗ Ventilation |
| ⑬ Drier | ㉘ Reheat coil solenoid valve (RSV) |
| ⑭ Liquid solenoid valve (LSV) | |
| ⑮ Suction modulating valve (SMV) | |
| ⑯ Discharge pressure regulating valve (DPR) | |

2.2.2 Inside

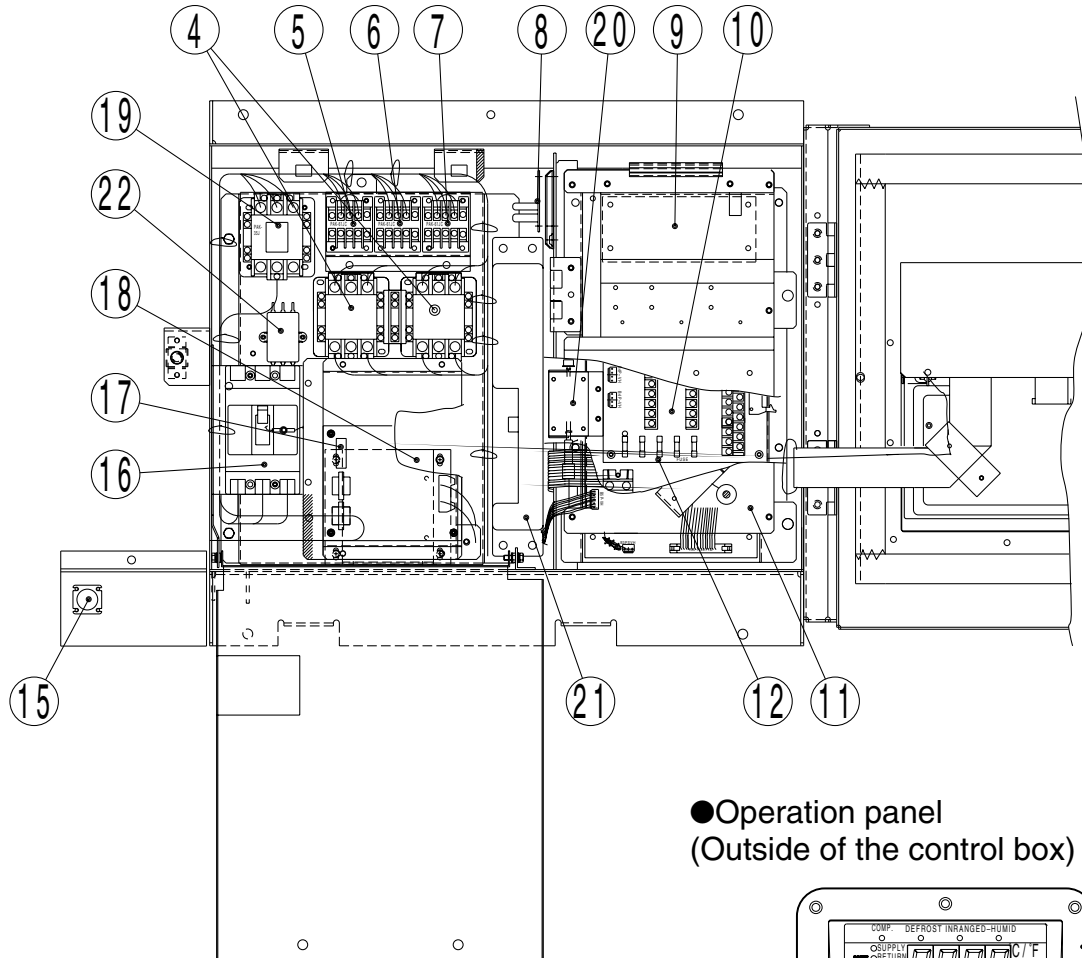
●LXE10E



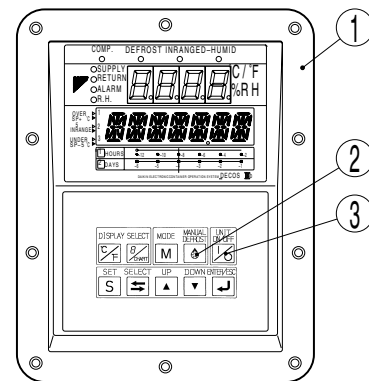
- ① Evaporator fan motor (EFM)
- ② Evaporator
- ③ Supply air temperature sensor (SS)
Data recorder supply air temperature sensor (DSS)
Recorder supply air temperature sensor (RSS, optional)
- ④ Evaporator outlet pipe temperature sensor (EOS)
- ⑤ Evaporator inlet pipe temperature sensor (EIS)
- ⑥ (A31, A31A)
- ⑥' (A31B)
Return air temperature sensor (RS)
Data recorder return air temperature sensor (DRS, optional)
Recorder return air temperature sensor (DRS, optional)
- ⑦ USDA receptacle (optional)
- ⑧ Cargo temp. receptacles
- ⑨ P.C. Port receptacles
- ⑩ Humidity sensor
- ⑪ Reheat coil

2.2.3 Control box

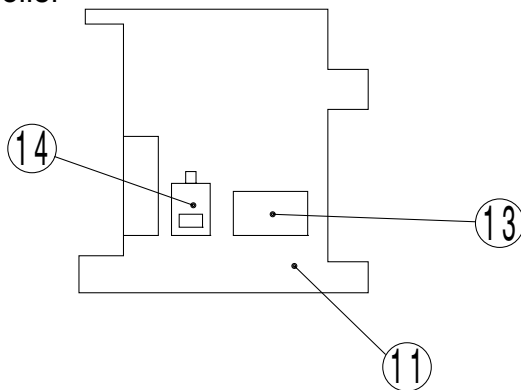
● Inside of the control box



● Operation panel (Outside of the control box)



● Controller



- | | |
|--|---|
| ① Controller operation panel (EC3, 4) | ⑫ Fuse (Fu1-6) |
| ② MANUAL DEFROST key | ⑬ Rechargeable battery (BAT) |
| ③ UNIT ON/OFF key | ⑭ Voltage indicator |
| ④ Phase correction contactor (PCC1,2) | ⑮ Personal computer receptacle |
| ⑤ Magnetic contactor for high speed evaporator fan (EFH) | ⑯ Circuit breaker (CB) |
| ⑥ Magnetic contactor for low speed evaporator fan (EFL) | ⑰ PT/CT board |
| ⑦ Magnetic contactor condenser fan (CFC) | ⑱ Transformer (TrC), control circuit |
| ⑧ Reverse phase protection device (RPP) | ⑲ Magnetic contactor for compressor (CC) |
| ⑨ Adopter PCB (EC6) | ⑳ P.C.B for humidity sensor (HUS, optional) |
| ⑩ Terminal block board (TB1) | ㉑ Modem (RCD, optional) |
| ⑪ Controller CPU / IO board (EC1, 2) | ㉒ Noise filter (NF, optional) |

2.3 Set point of functional parts and protection devices

	Device name		Actuation	Set point	Detection method	Symbol	
Pressure switch	High-pressure switch		OFF ON	2400kPa (24.47kg/cm ²) 1900kPa (19.37kg/cm ²)	High-pressure switch	HPS	
	Water pressure switch (optional)		OFF ON	98kPa (1.0kg/cm ²) 39kPa (0.4kg/cm ²)	Water pressure switch	WPS	
Electronic controller	Mode selection	Chilled mode	ON	+30.0°C ~ -3.0°C (+86.0°F ~ -37.4°F)	Set point temperature	EC	
		Partial frozen mode		-3.1°C ~ -10.0°C (-37.6°F ~ -50.0°F)			
		Frozen mode		-10.1°C ~ -30.0°C (-50.2°F ~ -86.0°F)			
	Delay timer	Fan	Change-over for Hi/Lo	ON	10 seconds		
			After defrosting		60 seconds		
		Compressor	At starting		3 seconds		
	Defrosting timer	Initiation	Short	ON	4 hours ※1		
			Long		3, 6, 9, 12, 24 and 99 hours(※2)		
		Back-up		OFF	90 minutes		
		In-range masking		ON	90 minutes ※3		
		Out-range guard			30 minutes		
	Defrosting termination set point		OFF Reset	30°C (86°F)	Evaporator outlet temperature sensor	EOS	
				15°C (59°F) ※4	Return air temperature sensor	RS, DRS	
	High-pressure control for Condenser fan (※Frozen only)		OFF ON	800kPa (8.2kg/cm ²) ※7 1000kPa (10.2kg/cm ²)	High-pressure transducer	HPT	
	Discharge gas temperature protection set point	Pull down		OFF	135°C (275°F)	Discharge gas temperature sensor	DCHS
LPT>50kpa		Reset	After 3 minutes elapsed				
		LPT≤50kpa		OFF	128°C (262°F)		
				Reset	After 3 minutes elapsed		
Overcurrent protection set point (Cutout)		OFF Reset	26.0A After 3 minutes elapsed	PT/CT board	CT2		
Current control		Control	50Hz : 16.1A 60Hz : 17.4A	PT/CT board	CT1		
High pressure control		Control	2300 to 2350 kPa (23.5 to 24.0 kg/cm ²)	High pressure sensor	HPT		
Current	Circuit breaker		OFF	30A		CB	
	Fuse		OFF	5A, 10A ※5		Fu	
Motor	Evaporator fan motor thermal protector		OFF	132°C (270°F)			
	Condenser fan motor thermal protector		OFF	135°C (275°F)		MTP	
	Compressor motor thermal protector		OFF	140°C (284°F)		CTP	

(※1) When Return air (RS) is lower than -20°C, defrost starts every 6 hours.

(※2) When "99" hours is selected, refer to on demand defrost in 2.5.3. (TR01-09A)

(※3) When Inside set point is -20.0°C or Lower, In-range masking is 120min.

(※4) If defrost is initiated when inside temperature is out range area. (= In-range LED is not light), this condition is added to finish defrost. Refer to "Defrosting termination" in 2.5.3. (TR01-09A)

(※5) Refer to "Fuse Protection table" in 7.11. (TR01-09A)

(※7) When dehumidification is ON in dehumidification mode, the setting figure may change between 900~2100kPa automatically (Refer to "High Pressure Control" Page 2-17/TR01-09A)

2.4 OPERATION MODES AND CONTROL

The relationship between the operation mode and setting temperature is as follows.

Operation mode	Setting temperature	Control sensor	Operation description
Frozen mode	-10.1°C to -30.0°C (-50.2°F to -86.0°F)	Return air temperature sensor	Compressor ON/OFF control
Partial frozen mode	-3.1°C to -10.0°C (-37.6°F to -50.0°F)	Return air temperature sensor	Capacity control operation with suction modulating valve and hot-gas bypass control
Chilled mode	+30.0°C to -3.0°C (+86.0°F to -37.4°F)	Supply air temperature sensor	Capacity control operation with suction modulating valve and hot-gas bypass control
Defrosting mode	-	-	Hot-gas defrosting with refrigerant metering control

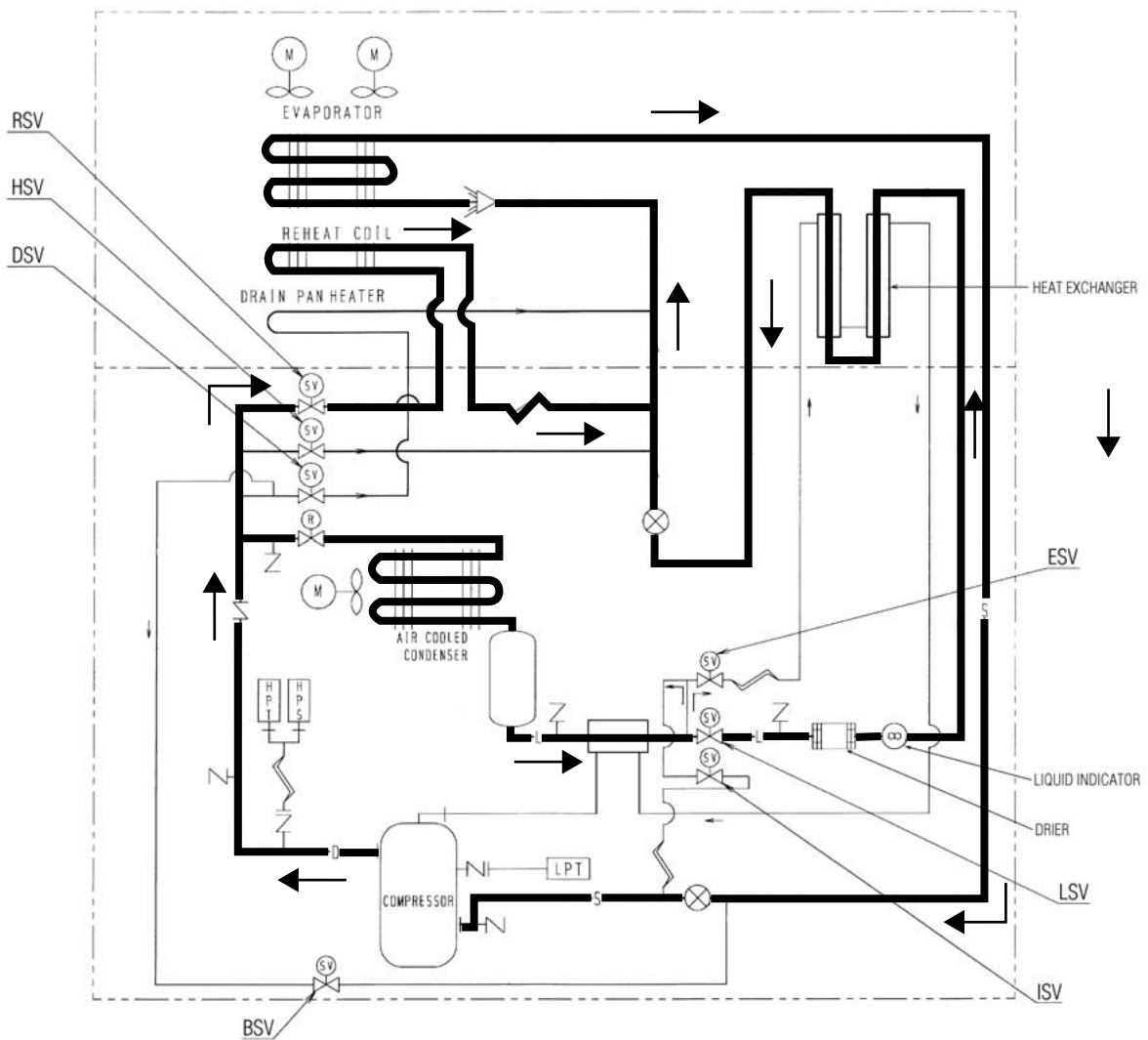
3 Dehumidification mode

The unit has dehumidification control by a reheat coil, which is under the evaporator coil. To execute dehumidification, controller setting is required. (Refer to Page 3-12)


In dehumidification, the Reheat Solenoid Valve (RSV) opens to give high pressurized refrigerant to reheat coil. The "DEHUMID" LED lamp will light up.

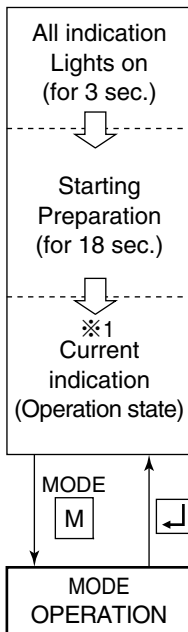
The following setting can be made:

- 1) Dehumidification range: 60%RH–95%RH



4. Mode Operation

Press the  key in current indication mode to go to MODE operation.



In mode operation, the following settings/operations are available.

1. Generator setting

Total power consumption can be reduced to desired Max setting for the specific generators set or power facilities.

The selections are "off (No limit)", "15" "14" "13" "12" "11" KVA.

2. Automatic pump down

Pump down can be executed automatically.

(Refer to "Automatic pump down" in 4.1.3/TR01-09A)

3. Dehumidification mode setting

Dehumidification mode can be executed in this mode (M. Dehumidification mode control in 2.5.4/TR01-09A)

When "Dehumidification" is set to "on", it is possible to change the following set from default.

① Inside humidity : 95% ~50% RH

5 Alarm display and back-up function

5.1 Alarm list

Alarm grouping	Alarm code	Alarm content	Action with alarm	
Permanent stop	F101	HPS activated within 30 seconds after operation start or protection device activated 5 times at start-up operation or Fuse 1 brown (Refer Page 7-7).	Unit stops	
	F109	Low- pressure drops to-85kPa or lower within 2 seconds after operation start.	Unit stops	
	F111	HPS does not activate when it reaches to the set value.	Unit stops	
	F301	Temperature setting required (SRAM failure)	Unit stops	
	F401	Return/Supply air sensor malfunction (at chilled mode)	Unit stops	
	F403	Return/Supply air sensor malfunction (at partial frozen mode)	Unit stops	
	F603	Suction modulating valve (SMV) does not fully close contrary to the designation or initial setting of the controller is wrong.	Unit stops	
	F701	Abnormal high voltage (over 600V)	Unit stops	
	F705	S phase became open phase	Unit stops	
F803	Abnormalities, which make it impossible to continue operation (Note2.)	Unit stops		
Display alone or restartable alarm	Protection device activation	E101	High-pressure switch activated during normal operation.	Restart after 3-minute
		E103	CTP or electronic OC activated during normal operation.	Restart after 3-minute
		E105	Micro processor OC activated during normal operation.	Restart after 3-minute
		E107	DCHS became abnormal high temperature during operation. In the event the refrigerant circulation rate is low, the unit will stand by for three minutes to restart then.	Restart after 3-minute
		E109	Low pressure drops to-90kPa or lower for 2 seconds or longer successively during normal operation.	If this error occurs two times, F803 error will be detected to stop the unit. Restart after 3-minute
	Control error	E201	Pump down is not completed within 90 seconds.	Only alarm display
		E203	Overcool protection activates in the chilled or partial frozen mode. (Control temperature \leq SP-3°C or for 3 minutes)	Restart after 3-minutes
		E205	Evaporator for motor failure	Only alarm display
		E207	Defrosting is not completed within 90 minutes	Only alarm display
	Printed-circuit board failure	E303	Humidity setting required (SRAM failure)	Only alarm display
		E305	Defrost timer setting required (SRAM failure)	Only alarm display
		E307	Calendar setting required (SRAM failure)	Only alarm display
		E311	Trip-start setting required (SRAM failure)	Only alarm display
		E315	PT/CT board failure	Restart after 3-minutes
	Sensor alarm	E401	Supply air temperature sensor (SS) malfunction	Back-up operation
		E402	Data recorder supply air temperature sensor (DSS) malfunction	Back-up operation
		E403	Return air temperature sensor (RS) malfunction	Back-up operation
		E404	Data recorder return air temperature sensor (DRS) malfunction	Back-up operation
		E405	Discharge air temperature sensor (DCHS) malfunction	Only alarm display
		E406	Suction gas temperature sensor (SGS) malfunction	Back-up operation
		E407	Evaporator inlet temperature sensor (EIS) malfunction	Back-up operation
		E409	Evaporator outlet sensor (EOS) malfunction	Back-up operation
		E411	Ambient sensor (AMBS) malfunction	Only alarm display
		E413	Low pressure transducer (LPT) malfunction	Back-up operation
		E415	High pressure transducer (HPT) malfunction	Back-up operation
		E417	Voltage sensor (PT1) malfunction	Only alarm display
		E421	Current sensor (CT1) malfunction	Only alarm display
E423		Current sensor (CT2) malfunction	Restart after 3-minutes	
E425		Pulp temperature sensor (USDA1) malfunction	Only alarm display	
E427	Pulp temperature sensor (USDA2) malfunction	Only alarm display		
E429	Pulp temperature sensor (USDA3) malfunction	Only alarm display		
E431	Humidity sensor (HuS) malfunction	Only alarm display		
E433	Cargo temperature sensor (CTS) or box temperature sensor (CBS) malfunction	Only alarm display		
Electronic functional part alarm	E603	Suction modulating valve (SMV) malfunction or driver malfunction	Back-up operation	
	E607	MDS (sheet key) malfunction	Only alarm display	
Power supply alarm	E707	Momentary power failure	Restart after 3-minutes	
Other alarm	E801	Backup battery replacement date exceeded	Only alarm display	

Note 1) The alarm LED does not blink when E code alarm is generated.

To check if any alarm generates, use alarm indication function in the section "1. Current indication mode" of "3.3.2 Mode operation procedure."

- In the event error E101, E103, E107, or E109 occurs 10 times, the system will go to 4-hour standby mode.
- In case of sensor malfunction, the judgment for sensor malfunction does not perform for 3 minutes before the pressure or temperature reaches to the specified value.

6 Battery

6.1 Specifications

DECOS IIIc and DECOS III d controller can use two types of batteries; Alkaline or Rechargeable (Optional). It is not possible to exchange the type of battery afterwards.

The battery is positioned on CPU & I/O box in controller box.

Alkaline: 9V block battery. (This can be purchased locally.)

Rechargeable: DAIKIN original rechargeable battery

6.2 Function

This battery is used without main power supply for the following functions.

1) Display wake up (Refer to chapter 3.3.2) page 3-11.

Setting/Display the following items on the LCD display.

<Display>

Temperature on the return air sensor

Temperature on the supply air sensor

<Setting change>

Inside temperature, defrosting interval, dehumidifying set (Optional), Unit ON/OFF

2) USDA data log

USDA sensors data log every 1 hour

Note) When the Alkaline battery is equipped, it must be replaced for a new every PTI, when USDA is used.

3) Trip data log

Trip data; Setting point, Supply air, Return air, Humidity and time is logged every 1 hour after power off until battery run out. (Min. 3 days)

6.3 Battery check

Alkaline battery: Press S key to confirm the Battery mode workable.

When the power is disconnected.

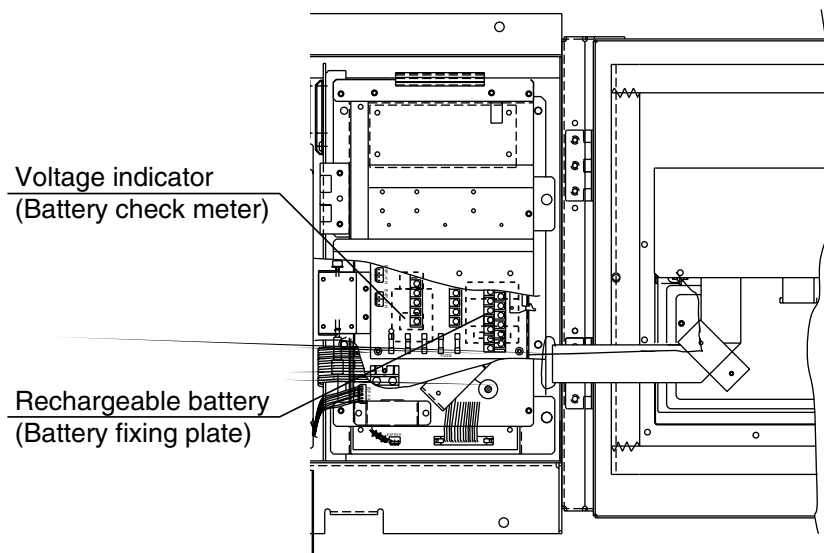
Rechargeable battery: Press "Battery check meter"

Green: Operatable

Red: Replace battery

6.4 Battery replacement (Alkaline and Rechargeable battery)

Detach the cover of battery and replace the battery



8 Electronic expansion valve

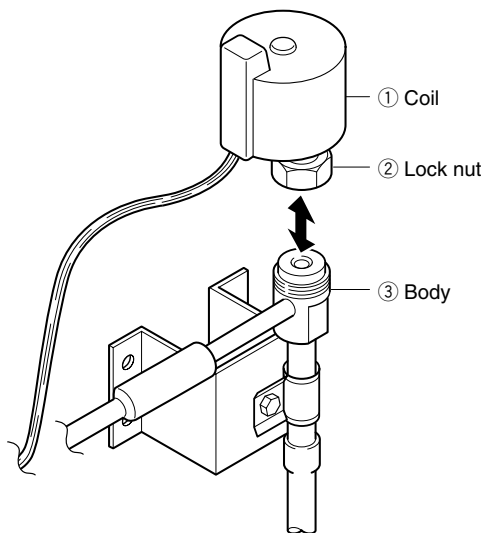
- Model Coil : EBM-MD12DM-1
Body : EDM-B804DM-1

This unit adopts an electronic expansion valve. The electronic expansion valve controls the optimum refrigerant flow rate automatically, using the temperature sensor at the evaporator inlet and outlet pipes.

In case of emergency including controller malfunctions, refer to the chapter of troubleshooting, section 6.5, Emergency operation.

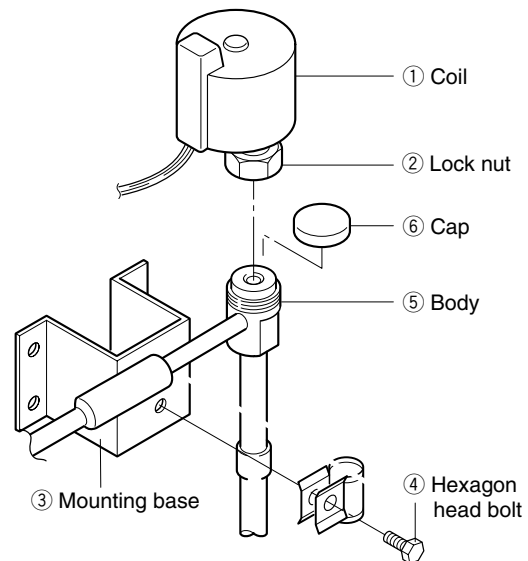
(1) Replacing the coil

- ① Loosen the lock nut, then remove the coil from the body.
- ② Install a new coil. The tightening torque for installation is 6.9 to 16.7 N · m (70 to 170kgf · cm).
- ③ Restore the binding bands and the lead wire into the original state.
- ④ After replacing, carry out refrigerant leakage check, and make sure that there are no leaks.

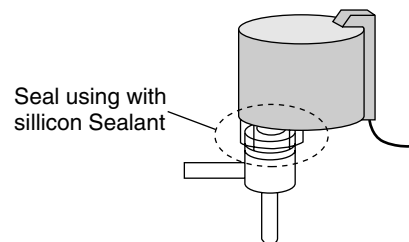


(2) Replacing the body

- ① Loosen the lock nut, then remove the coil.
- ② Remove the hexagonal head bolts, and cut the pipe on the body, then remove remaining pipes from brazing parts.
- ③ Connect a new body to the pipes. Be sure to conduct brazing work while cooling the body below 120°C (248°F) by using wet cloths.
- ④ Fix the body to the mounting base.
- ⑤ Remove the cap, and mount the coil with the tightening torque of 6.9 to 16.7 N · m (70 to 170 kgf · cm).
- ⑥ After replacing, carry out refrigerant leakage check, and make sure that there are no leaks.

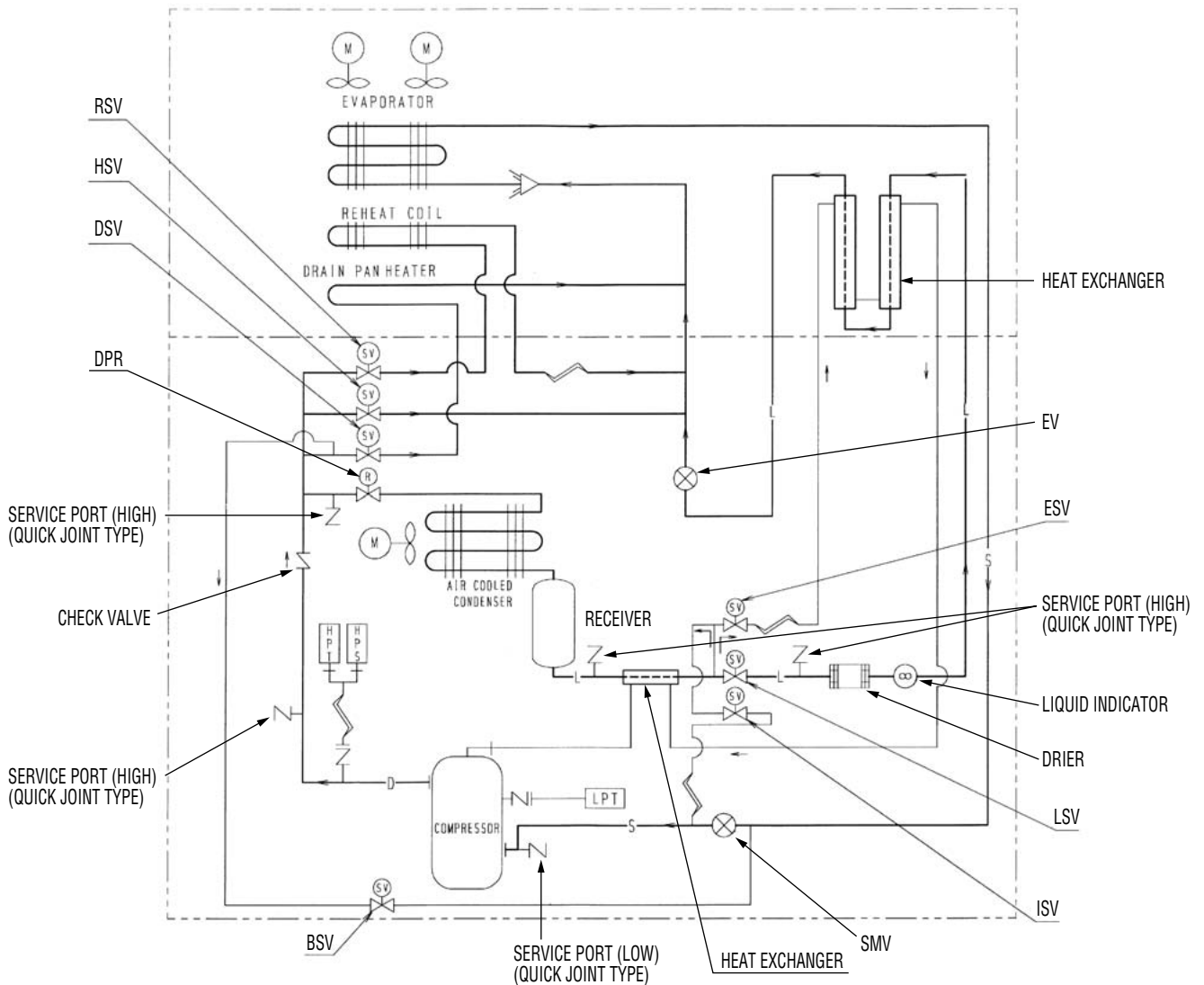


- ⑦ Apply a silicon sealant to the lock nut section.



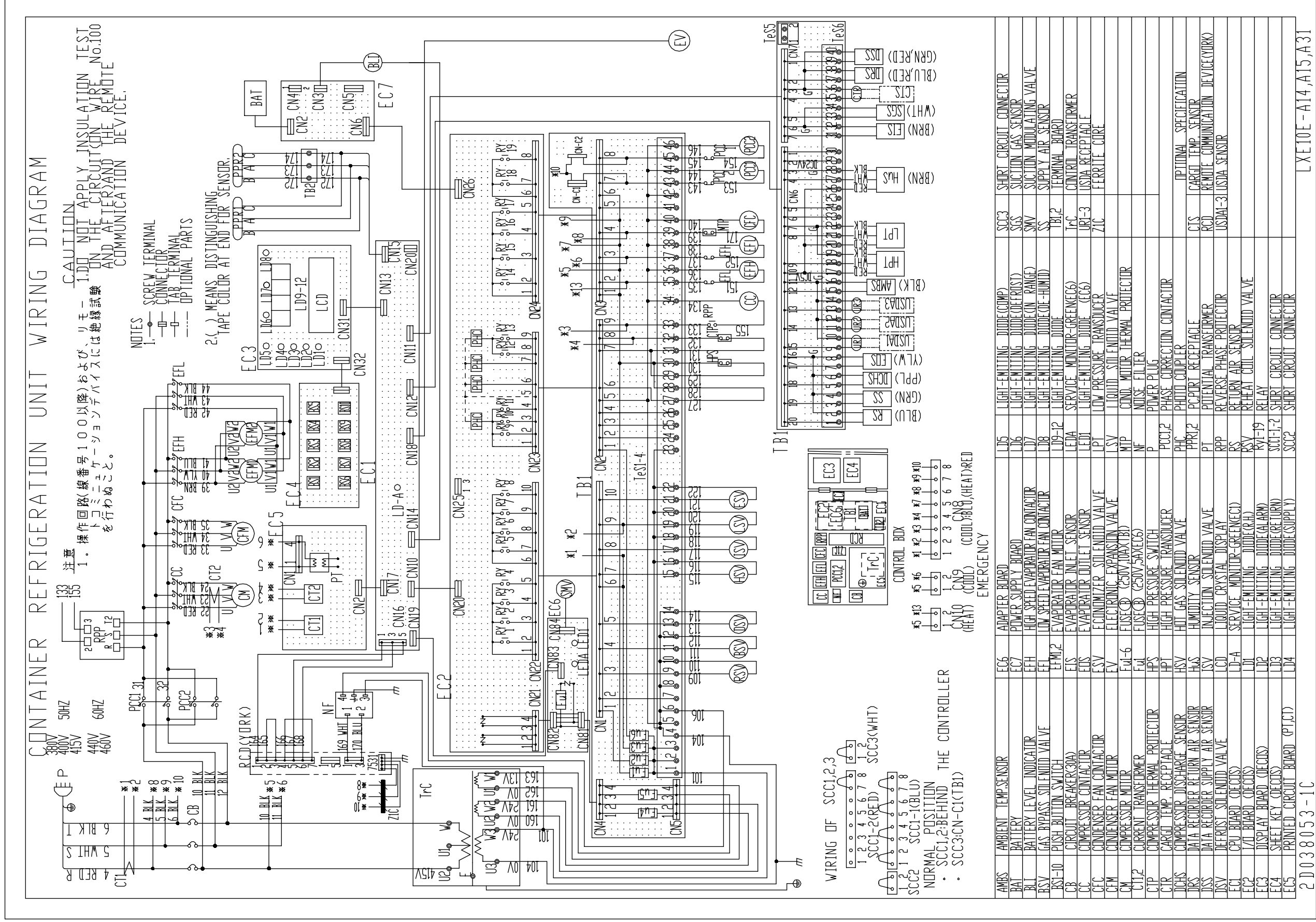
9. APPENDIX

9.1 Piping diagram

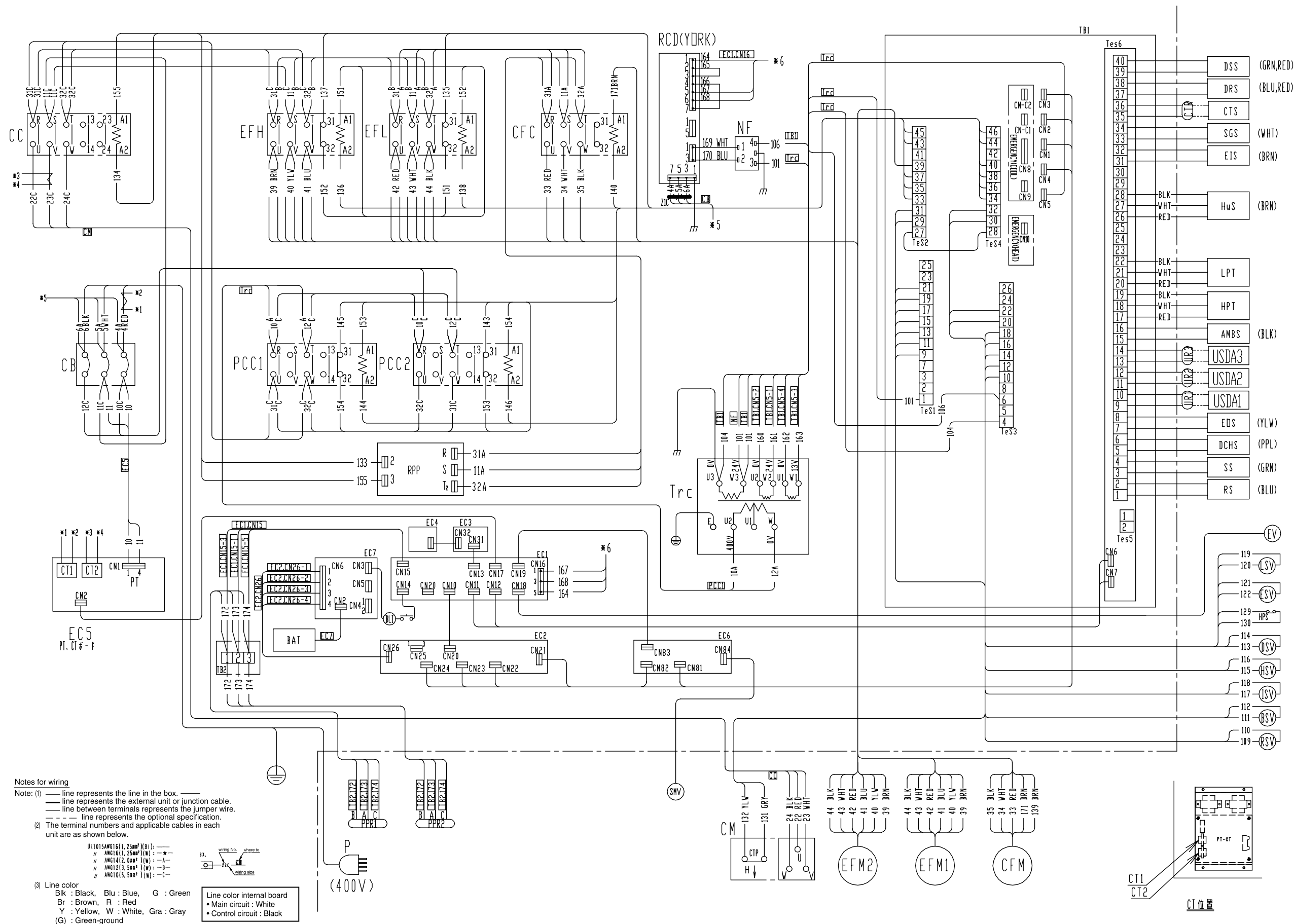


- | | | |
|-------------------------------|---|----------------------------------|
| EV:Electronic Expansion Valve | SMV:Suction Modulation Valve | DPR:Discharge pressure regulator |
| LSV:Liquid Solenoid Valve | HSV:Hot Gas Solenoid Valve | |
| DSV:Defrost Solenoid Valve | ISV:Injection Solenoid Valve | |
| ESV:Economizer Solenoid Valve | BSV:Discharge Gas Bypass Solenoid Valve | |

9.2 Schematic wiring diagram



9.3 Stereoscopic wiring diagram



ORDERING INSTRUCTIONS

The parts list contains the parts of the DAIKIN Marine Type Container Refrigeration Units. Please read the following items before using the list.

1. When ordering the parts, be sure to specify the model No., the name of part and the type of part. When ordering the parts for which no parts NO. is shown in the PARTS NO. column, be sure to describe DWG.NO..
2. The list shows the parts only for replacement or repairing at the job site. Certain parts require a production lead time or are supplied as a set, so please contact with the nearest DAIKIN PARTS CENTRE.

3. Index symbols;

Meaning of the ranking A,B and C are as follows;

A. The most important spare parts

1. The parts whose malfunction cause fatal damage to the unit.
2. The parts with high risk of malfunction.
3. The parts that are worn out after an extended service period.

B. The important spare parts next to A, but the risk of malfunction is not so high.

C. The parts with low risk of malfunction, but recommendable to stock to cope with damage during handling of container box and long delivery time, etc.

The parts without A, B and C mark is the parts whose necessity is not so high under normal operation.

パーツリスト使用上の注意

このパーツリストはダイキン海上コンテナ冷凍装置の部品を集録してあります。パーツリスト使用にあたっては、必ず次の注意事項をご一読の上使用していただくようお願いいたします。

1. 部品のご注文の際は機種名、部品番号、および部品名、形式を必ずご指定ください。
なお、部品番号欄が空白になっている部品は、図面番号で指示願います。
2. 掲載部品の範囲は、あくまでも現地にて分解修理できるところまで記載しております。
一部部品につき納期のかかるものおよびセット単位となるものもありますので、お近くのダイキンパーツセンター又はサービスステーションに相談願います。

3. INDEXの説明

INDEXのA、B、Cの意味は下記の通りです。

A. 最も重要な部品

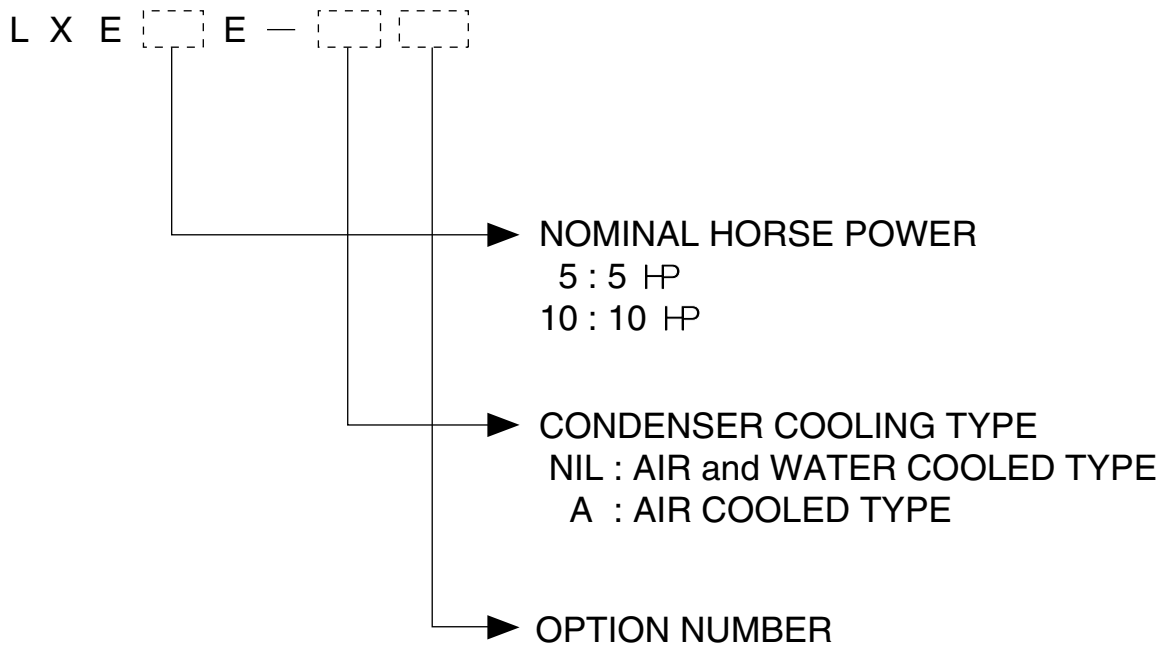
1. 故障した場合に最も重大な損害を与えると思われる部品
2. 故障の確率が高いと思われる部品
3. 長期の使用で摩耗して使用できなくなる部品

B. 故障発生の確率は高くはないが、Aについて重要な部品

C. 故障発生の確率は低いですが、コンテナボックスの運搬中の事故や、部品の納期が長期になるとと思われる等の理由で、在庫をお勧めする部品

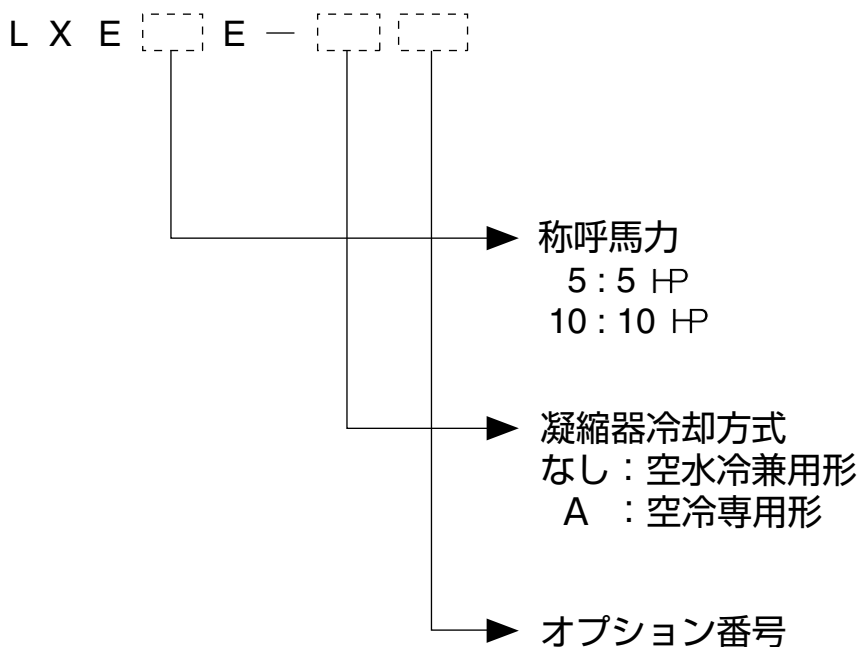
A,B,Cマークの無い部品は、通常の運転では必要性は高くない部品です。

Denomination of Model Name



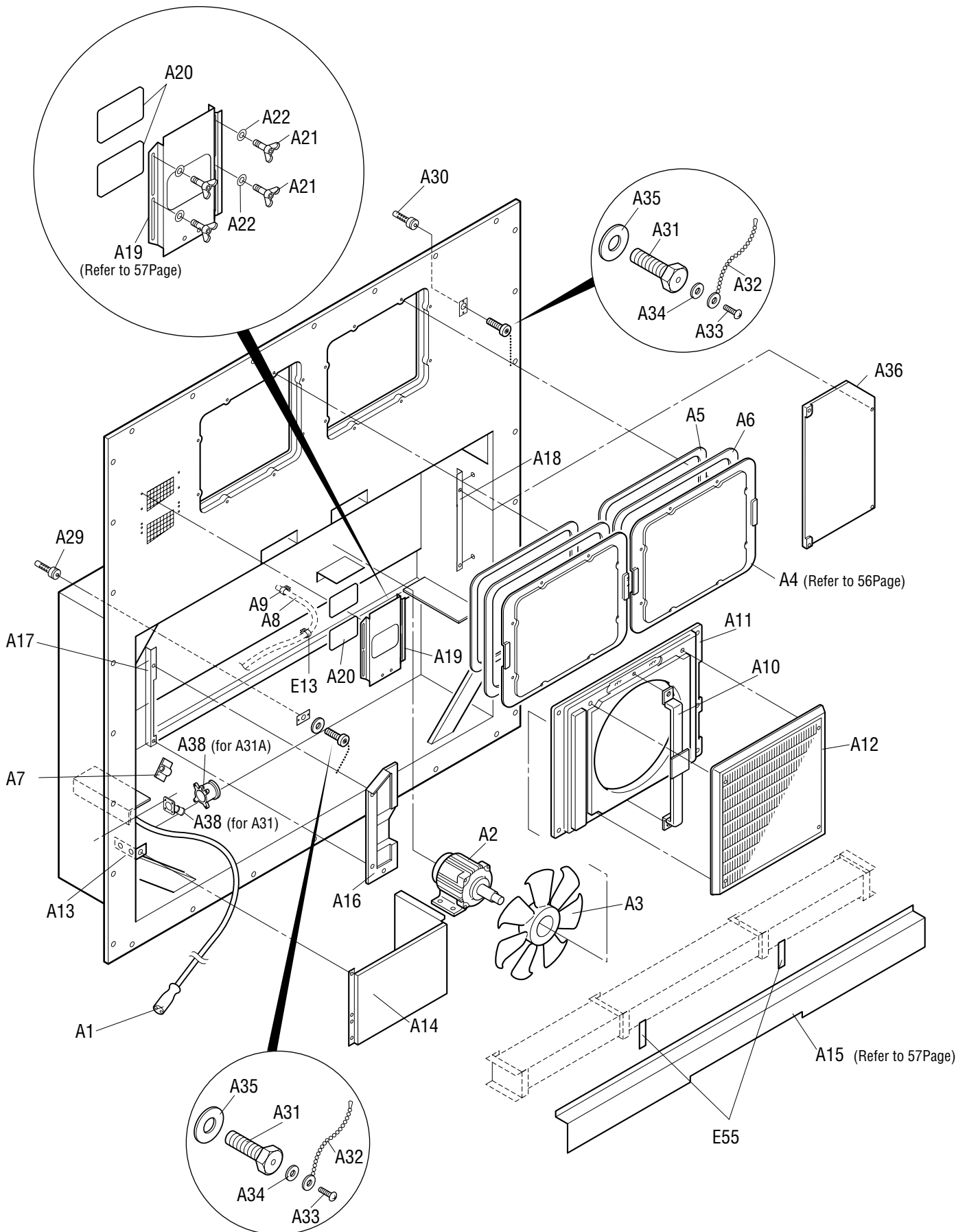
Note) "R" GIVEN AFTER OPTION NUMBER STANDS FOR "REVISION" AND IT IS GIVEN FOR THE UNIT WHICH IS SPECIALLY MODIFIED.

機種名について

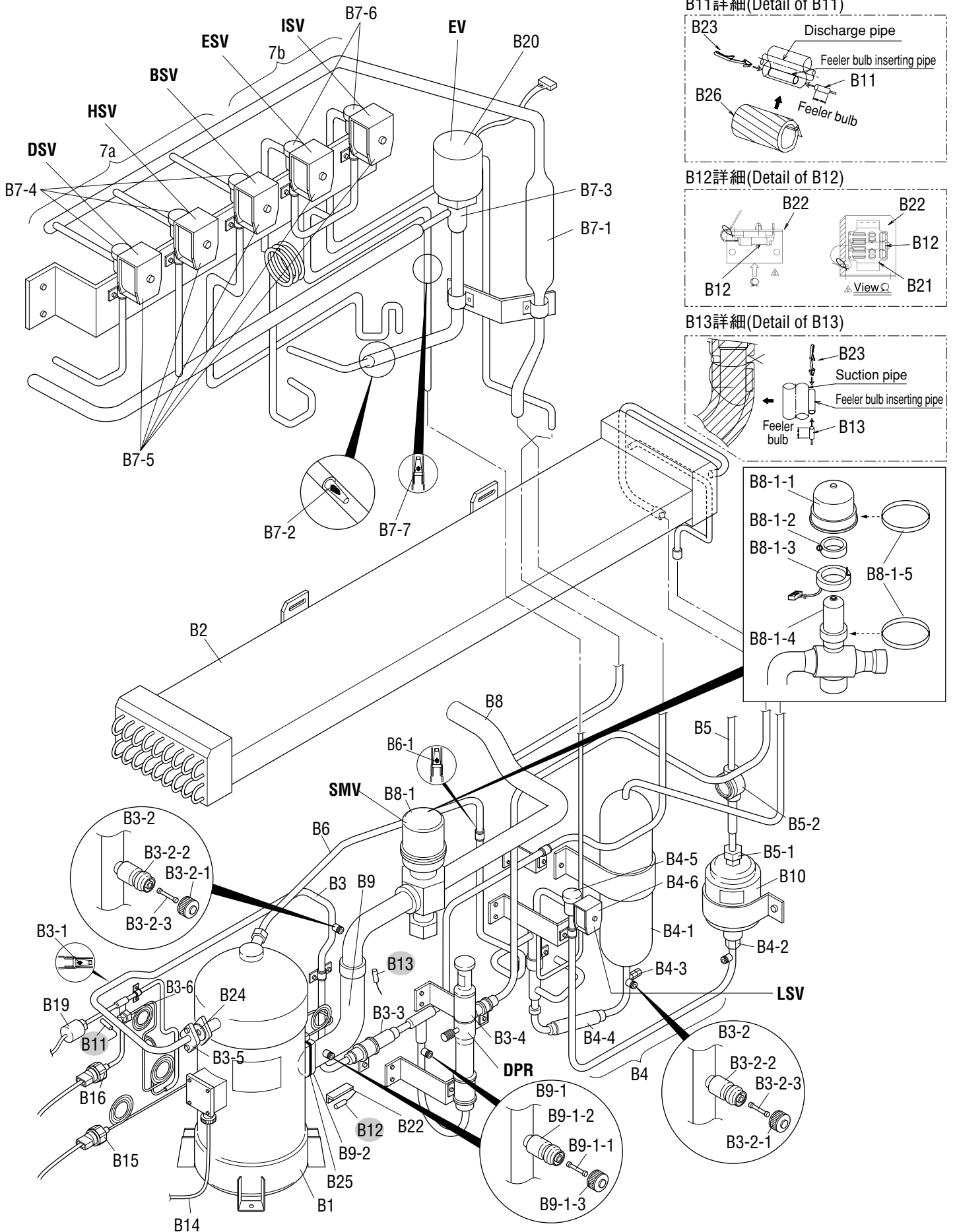


注) オプション番号の後に R がつく機種は、改造機で、特別な仕様が加えられていることを意味します。

A. Parts related with the unit(outside)	22
庫外関連部品	
B. Parts related with refrigerant piping(outside)	24
庫外冷媒配管関連部品	
C. Parts related with the unit(inside)	28
庫内関連部品	
D. Parts related with refrigerant piping(inside)	32
庫内冷媒配管関連部品	
E. Other parts(Pipe clamp, sealing and insulation material etc.)	34
その他部品 (配管固定具、シール材、防熱材等)	
F. Control box	42
コントローラボックス	
G. Parts related with name plate	48
銘板関連	
I. Parts related with option 1 – USDA	50
オプション関連部品 1 - USDA関連	
J. Parts related with option 2 – MODEM	51
オプション関連部品 2 - モデム	
K. Parts related with option 3 – Others	52
オプション関連部品 3 - その他	
1. Indoor fan guard 庫内ファンガード	
2. Evaporator coil 蒸発器コイル組立品	
L. List of size for standard pipe clamp	54
配管固定具サイズ表	
1. Resin clamp 樹脂バンド	
2. Tube clamp 管止金	
3. Cushion rubber for pipe clamp 管止金用緩衝ゴム	
M. Note for ordering spare parts	56
部品発注の際の注意事項	
1. Parts recommended to be ordered together with packing, gasket, sealing material and name plate	
発注の際にパッキングやシール材、銘板等の同時発注を推奨する部品	
2. Order for motorized valve, solenoid valve and pressure regulating valve	
電動弁・電磁弁・圧力調整弁の発注	
3. Order for pressure transducer 圧力センサーの発注	
4. Order for temperature sensor 温度センサーの発注	
N. Measuring and adjusting tools	61
測定調整用工具	
1. Tools for emergency operation 緊急運転用工具	
2. Personal computer cable (for DCCS) パソコンケーブル(DCCS用)	



NO. 符号	INDEX	PARTS NO. 部品番号	PARTS NAME	部品名称	DWG. NO. 図面番号	TYPE SPECIFICATION 形式 仕様	QTY/UNIT			REMARKS 備考
							LXE10E-			
							A31	A31A	A31B	
A1		1448270	Power plug	電源プラグ	3P109727-1		1	1	1	
A2	A	0954936	Condenser fan motor	凝縮器電動機	3P005566-1		1	1	1	
A3	B	0980618	Fan Brade(outside)	プロペラファン (庫外側)	2P004956-1	P44H11S	1	1	1	
A4	C	1612576	Access panel(FRP)	サービス扉組立品	1P006678-5		2	2	2	Refer to Page56
A5		1266207	Cushion material(access panel)	クッション材 (サービス扉)	3P033608-1		2	2	2	Refer to Page56
A6		1196113	Sealing material(access panel)	シール材 (サービス扉)	3P001640-2		2	2	2	Refer to Page56
A7		1326705	Wire clamp	電線止め金	4P090422-1		1	1	1	
A8	C	1266199	Drain hose	ドレンホース	3P011299-1	For trap type	1	1	1	
A9		537320	Hose band	ホースバンド	R4716528-3		2	2	2	
A10		1266137	Fan guide stay ass'y(outside)	ファンガイドステー組立品 (庫外側)	3P027891-1		1	1	1	
A11		1588356	Fan guide(Outside)	ファンガイド (庫外側)	1P050906-6		1	1	1	
A12	C	1588349	Discharge grill	吹出グリル	1PA53427-6		1	1	1	
A13		1369663	Mounting plate 2, cable storage	ケーブル収納部取付板2	4P006981-2		1	1	1	
A14		1564660	Cabel holding sheet metal	ケーブル収納部板金 (圧縮機前板:有/無共用)	3P128458-1		1	1	1	
A15	C	1270338	Front plate(CA)	前板 (C A)	2P061345-1		1	1		Refer to Page57
A15	C	1661299	Front plate(CA)	前板 (C A)	2P165976-1				1	Refer to Page57
A16		1600504	C,BOX Front plate	コントロールボックス前板(左)	2P093861-5		1	1	1	
A17		1485527	Fixing plate	外板取付板 (1)	3P116814-1		1	1		
A17		1661338	Fixing plate	外板取付板 (1)	3P170539-1				1	
A18		1631940	Fixing plate	外板取付板 (2)	3P158049-1		1	1		
A18		1661321	Fixing plate	外板取付板 (2)	3P170535-1				1	
A19	B	0981060	Ventilation cover	換気口蓋	3P003175-1		1	1	1	Refer to Page57
A20		1266221	Sealing material(ventilator)	シール材 (換気口)	4P016185-1		2	2	2	Refer to Page57
A21		1015858	Wing nut	蝶ナット	4SK06111-5		4	4		
A21		1270345	Wing bolt	蝶ボルト	4P048681-1				4	
A22		1430705	Plain washer(Woods round type)	平座金 (木材用丸)	4P066385-8		4	16	16	
A29		1584145	Protection cover(3)	温度計挿入口保護カバー (3)	4P085921-3		1	1		
A30		1496820	Protection cover(2)	温度計挿入口保護カバー (2)	4P085921-2		1	1	1	
A31		1266238	Hexagon head bolt	P C六角ボルト	R4290921-125	M12X25	2	2	1	
A32		1386930	Latch(victor chain)	掛金 (ビクターチェーン)	4P063801-1		2	2	1	
A33		1266245	Tapping screw	タッピンネジ	4SK05064-8	M3 SUS304	2	2	1	
A34		844012S	Plain washer	平座金	4SK07005-3	M3SUS	20	20	20	
A35		1267084	Gasket, resin bolt	パッキン樹脂ボルト用	4PA63573-1		2	2	1	
A36		1600528	Front panel(right)	前板 (右)	3P083136-5		1	1		
A36		1679416	Front panel(right)	前板 (右)	3P173348-1				1	
A37		1387159	Lock nut	換気口蝶ナット用ロックナット	4P105737-1		4	4		
A38		1448636	Plug holder	プラグホルダー	4P039620-1		1			
A38		1637847	Plug holder	プラグホルダ取付台 (YML・HSD)	3P158122-1			1	1	
E13		1266788	Resin clamp	樹脂バンド	NE41015-12		1	1	1	
E55		1267077	Packing for prevention of vibration	C A前板ビビリ防止パッキン	4P050050-1		2	2	2	



NO. 符号	INDEX	PARTS NO. 部品番号	PARTS NAME	部品名称	DWG. NO. 図面番号	TYPE SPECIFICATION 形式 仕様	QTY/UNIT			
							LXE10E-			
							A31	A31A	A31B	
B1	A	1315426	Compressor	圧縮機	JT224DBNYR		1	1	1	
B2	C	1387173	Air cooled condenser		2P089486-1	CA-LXE10E1		1	1	
B3			Discharge pipe ass'y	吐出配管組立品	2P117329-1		1	1	1	
B3-1	C	1199167	Strainer	ストレーナ	4P051389-1		1	1	1	
B3-2	C	1178920	Service valve ass'y	サービスバルブ組立品	3P048905-1		3	3	3	
B3-2-1	B	117592J	Service valve cap	キャップ	3P048905-1-KU		3	3	3	
B3-2-2	B		Service valve body	本体	3P048905-1-KA		3	3	3	
B3-2-3	B	1178850	Valve core	バルブコア	3P048905-1-KI		3	3	3	
B3-3	B	0684220	Check valve	逆止弁	3SA27008-1		1	1	1	
B3-4	A	1241361	Discharge pressure regulating valve	吐出圧力調整弁	3P074558-1		1	1	1	Refer to Page58
B3-5		1266276	Flange(convex)	吐出管フランジ (凸)	4P065933-1		1	1	1	
B3-6	B	292011	Gauge joint(with check valve)	逆止弁付ゲージ接手	2PF00177-1	VCG2DA	1	1	1	
B4		1549685	Liquid receiver ass'y	受液器組立品	2P117335-1		1	1		
B4		1655939	Liquid receiver ass'y	受液器組立品	2P162878-1				1	
B4-1		1266283	Liquid receiver	受液器レシーバ	4P081428-1	φ 90×t1.5	1	1	1	
B4-2		013785J	Flare nut	フレアナット	4SK23011-4	FNS4 φ 12.7	1	1	1	
B4-3	A	1498035	Fusible plug	可熔栓	3SA27103-1		1	1	1	
B4-4		0299134	Filter	フィルタ	3SA26004-2		1	1	1	
B4-5	A	0944566	NEV type solenoid valve body	NEV型電磁弁本体	R3305118-1	NEV-803DXF	1	1		Refer to Page58
B4-5	A	1411533	Solenoid valve body	電磁弁本体	3SA52069-1				1	Refer to Page58
B4-6	A	0955287	Solenoid valve coil	電磁弁コイル	3P010453-1		1	1	1	Refer to Page58
B5			Liquid pipe ass'y	液配管組立品	3P065985-1		1	1		
B5			Liquid pipe ass'y	液配管組立品	3P162887-1				1	
B5-1		013785J	Flare nut	フレアナット	4SK23011-4	FNS4 φ 12.7	1	1	1	
B5-2	A	0622107	Liquid moisture indicator	モイスタチャーインジケーター	3PA51270-3	SGN12S	1	1	1	
B6			Injection tube ass'y	インジェクション管組立品	3P093305-1		1	1		
B6			Injection tube ass'y	インジェクション管組立品	3P162892-1				1	
B6-1	C	0085296	Strainer	ストレーナ (100メッシュ)	R4697892		1	1	1	
B7a		1557275	Motor operated valve ass'y	電動弁組立品	2P133805-2		1	1	1	
B7-1		1505748	Filter	フィルタ	3P011071-1		1	1	1	
B7-2	C	1490846	Strainer	ストレーナ	4P051958-1		1	1	1	
B7-3	A	125649J	Electronic expansion valve body ass'y	電子膨張弁本体組立品	2SA50010-2-KU		1	1	1	Refer to Page58
B7-4	A	0944566	NEV type solenoid valve body	NEV型電磁弁本体	R3305118-1	NEV-803DXF	3	3		Refer to Page58
B7-4	A	1411533	Solenoid valve body	電磁弁本体	3SA52069-1				4	Refer to Page58
B7-5	A	0955287	Solenoid valve coil	電磁弁コイル	3P010453-1		3	3	4	Refer to Page58
B7b			ISV,ESV pipe ass'y	ISV・ESV配管組立品 (標準・P&O)	2P148527-1		1	1		
B7b			ISV,ESV pipe ass'y	ISV・ESV配管組立品	3P163059-1				1	
B7-5	A	0955287	Solenoid valve coil	電磁弁コイル	3P010453-1		2	2	2	Refer to Page58
B7-6	A	0088738	Nev type solenoid valve body	NEV型電磁弁本体	R3305099-1-KI	NEV-202DXF	2	2	2	Refer to Page58
B7-7	C	0964166	Strainer	ストレーナ	4P012568-1		1	1	1	

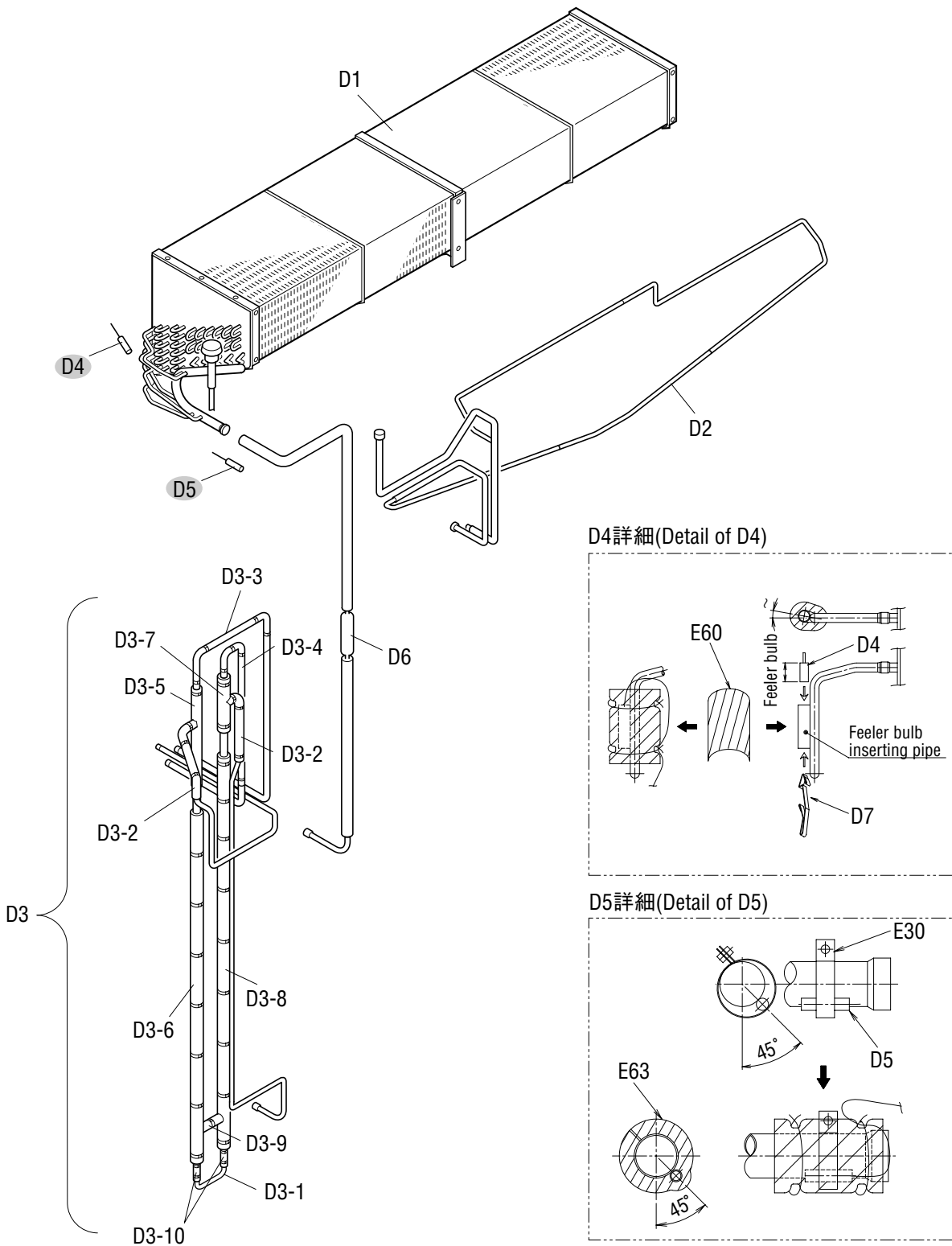
● When ordering the parts whose No. are not shown in the PARTS NO. column, be sure to describe DWG. NO..

● 部品番号欄が空白になっている部品は、図面番号で、指示願います。

NO. 符号	INDEX	PARTS NO. 部品番号	PARTS NAME	部品名称	DWG. NO. 図面番号	TYPE SPECIFICATION 形式仕様	QTY/UNIT			
							LXE10E-			
							A31	A31A	A31B	
C1a	A	0955340	Three phase AC fan motor	三相交流ファン電動機	3PA07524-5	SPRK91A-42	1			
C1a	A	0955333	Three phase AC fan motor	三相交流ファン電動機	3PA07524-4			1	1	
C1b	A	0955340	Three phase AC fan motor	三相交流ファン電動機	3PA07524-5	SPRK91A-42	1	1	1	
C2	B	0777519	Fan Brade(inside)	プロペラファン (庫内側)	P32P11F		2		2	
C2		1632152	Propeller fan rotor	庫内プロペラロータ (日本製)	4P159475-1			2		
C3		1410958	Center stay	中央ステー	3P094853-1		1	1		
C3		1656019	Center stay	中央ステー (裏板アルミ仕様)	3P167260-1				1	
C4		1266360	Side stay	サイドステー (1)	3P061281-1	t2.5	1	1		
C4		1679315	Side stay	サイドステー (1) 裏板SUS仕様	3P168538-1				1	
C5		1509531	Side stay(2)	サイドステー (2)	3P105384-1		1	1		
C5		1679409	Side stay(2)	サイドステー (2) 裏板SUS仕様	3P172409-1				1	
C6		1584176	Rear stay	背面ステー (レヒート)	3P103621-2		4	4		
C6		1667141	Rear stay	背面ステー (裏板SUS仕様)	3P167261-2				4	
C7		1380747	Casing frame, evaporator	蒸発器枠 (1)	2P094765-1		1	1		
C7		1666838	Casing frame, evaporator	蒸発器枠 (1) 裏板SUS仕様	2P170293-1				1	
C8		1380754	Casing frame, evaporator	蒸発器枠 (2)	2P094765-2		1	1		
C8		1666845	Casing frame, evaporator	蒸発器枠 (2) 裏板SUS仕様	2P170293-2				1	
C9		1667165	Fan guide fixing plate	ファンガイド固定板	3P105378-1		1	1	1	
C12		1605237	Fan guide ass'y	ファンガイド組立品 (レヒート・キャリブレーション有)	3P123264-1		1	1		
C12		1667088	Fan guide ass'y	ファンガイド組立品 (レヒート・樹脂サミスタ)	3P166890-3				1	
C13		1565199	Set plate, fan motor	電動機取付脚	3P144888-1		4	4		
C13		1667172	Set plate, fan motor	ファン電動機台 (脚) 組立品 (1)	3P171676-1				4	
C14-1		1622434	Rear plate(lower/left)	裏板 (下/左)	2P144516-1		1	1	1	
C14-2		1622441	Rear plate(lower/right)	裏板 (下/右)	2P144517-1		1	1	1	
C15		1266555	Air reflection plate	風向板	4P055257-1		1	1		
C15		1496990	Shield plate	遮蔽板	4P123922-1				1	
C16		1622458	Supply sensor inspection door	サブライセンサ点検蓋	4P148634-1		1	1	1	
C17-1		1622465	Rear plate(middle)	裏板 (中)	2P144515-1		1	1	1	
C17-2		1622472	Rear plate(upper)	裏板 (上)	2P144514-1		1	1	1	
C18		1266485	Partition plate(drain outlet)	仕切板 (ドレン出口)	4P011317-1		1	1	1	
C19		1135978	Reinforce plate, fan motor	補強板 (ファン電動機台)	4P011316-1		4	4	4	
C21		1135125	Hinge	蝶番	3P043374-1		1	1	1	
C22		1266524	Support plate	支柱補強柱	4P061342-1		1	1	1	
C23		1605466	Mounting plate	サブライセンサ取付板	4P144433-1		1	1	1	
C24	A	137531J	Sensor(SS)	センサー (SS)	3PA61769-11		1	1	1	Refer to Page60
C25	A	1375327	Sensor(DSS)	センサー (DSS)	3PA61769-12		1	1	1	Refer to Page60
C26	A	1375334	Sensor(RS)	センサー (RS)	3PA61769-13		1	1	1	Refer to Page60
C27	A	1375341	Sensor(DRS)	センサー (DRS)	3PA61769-14		1	1	1	Refer to Page60
C28		860015	Universal nut	自在ナット	R4713188-1		16	16	1	
C29		860030S	Speed bolt	スピードボルト (M6)	4P048680-2	M6X29(S)	18	18		

● When ordering the parts whose No. are not shown in the PARTS NO. column, be sure to describe DWG. NO..

● 部品番号欄が空白になっている部品は、図面番号で、指示願います。

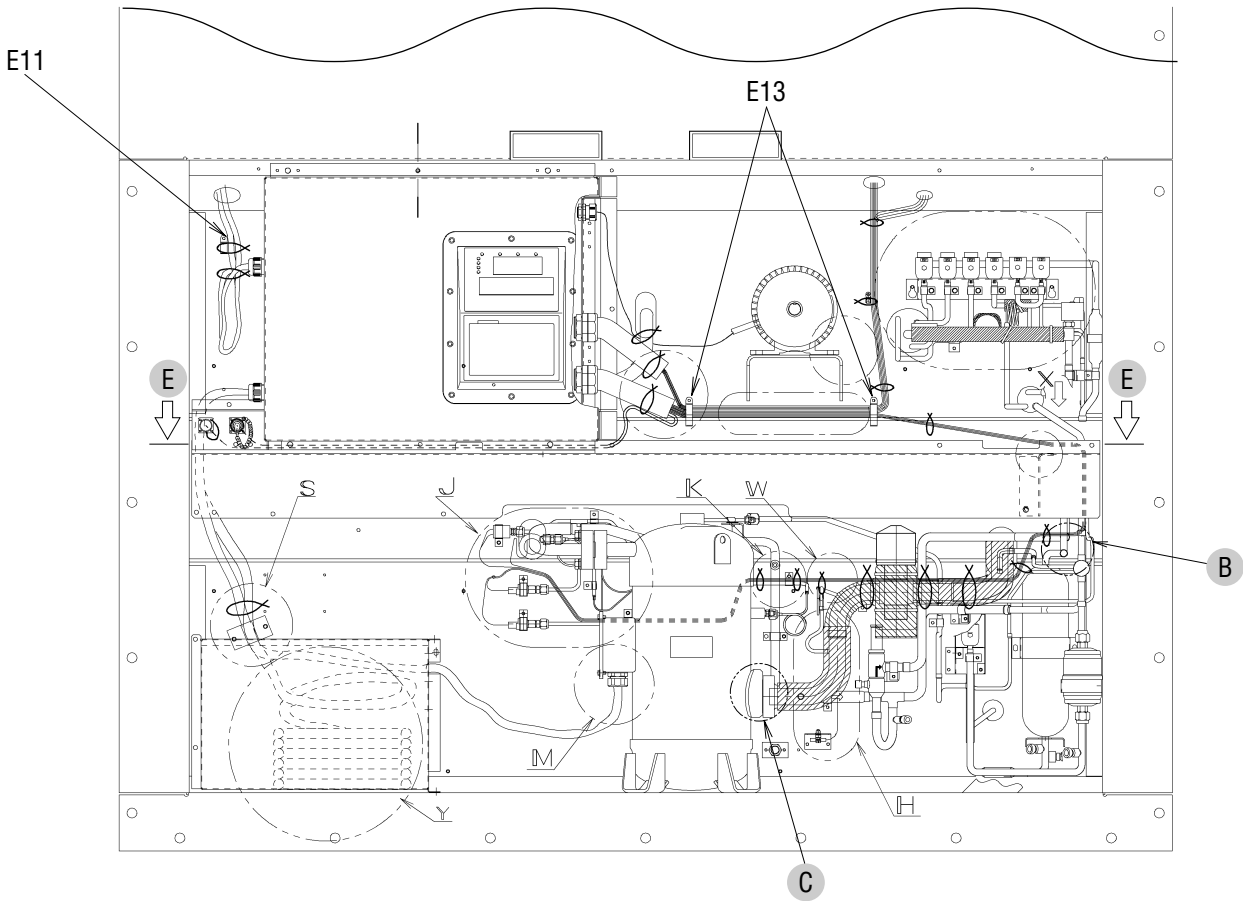


NO. 符号	INDEX	PARTS NO. 部品番号	PARTS NAME	部品名称	DWG. NO. 図面番号	TYPE SPECIFICATION 形式 仕様	QTY/UNIT			
							LXE10E-			
							A31	A31A	A31B	
D1		1380691	Evaporator ass'y	蒸发器組立品	2P071832-1	CRB-LXE10E1	1	1		
D1		1683927	Evaporator ass'y	蒸发器組立品	2P163797-1	CRB-LXE10E9			1	
D2		1380893	ass'y for pipe of drain pan	ドレンパン配管組立品 (レヒート)	2P103794-2		1	1		
D2		1683934	ass'y for pipe of drain pan	ドレンパン配管組立品 (レヒート)	2P167639-2				1	
D3		1612583	Heat exchanger ass'y with insulation	熱交換器防露筒組立品 (標準・P & O)	3P143786-2		1	1		
D3		1683941	Heat exchanger ass'y	熱交換器防露筒組立品	3P167421-2				1	
D3-1			Dowble tube heat exchanger ass'y	二重管式熱交換器組立品	2P143779-2		1	1		
D3-1			Dowble tube heat exchanger ass'y	二重管式熱交換器組立品	2P167001-2				1	
D3-2		1549762	Insulation tube, gas pipe(1)	ガス配管 (1) 防露筒	3P114518-1		2	2	2	
D3-3		1549779	Insulation tube, liquid pipe(1)	液配管 (1) 防露筒	3P114518-2		1	1		
D3-3		1683965	Insulation tube, liquid pipe(1)	液配管 (1) 防露筒	3P167441-2				1	
D3-4		1549786	Insulation tube, liquid pipe(2)	液配管 (2) 防露筒	3P114518-3		1	1		
D3-4		1683958	Insulation tube, liquid pipe(2)	液配管 (2) 防露筒	3P167441-1				1	
D3-5		1380918	Thermal insulation tube	断熱筒 (熱交外管)	4P103439-1		1	1	1	
D3-6		1380925	Thermal insulation tube	断熱筒 (熱交外管)	4P103439-2		1	1	1	
D3-7		1380932	Thermal insulation tube	断熱筒 (熱交外管)	4P103439-3		1	1	1	
D3-8		1380949	Thermal insulation tube	断熱筒 (熱交外管)	4P103439-4		1	1	1	
D3-9		1549971	Thermal insulation, gas pipe(3)	ガス配管 (3) 防露筒	3P114518-4		1	1	1	
D3-10		1549988	Thermal insulation, liquid pipe(3)	液配管 (3) 防露筒	4P110520-2		2	3	3	
D4	A	156282J	Senser(EIS)	センサー (E I S)	3P012118-2		1	1	1	Refer to Page60
D5	A	156283J	Senser(EOS)	センサー (E O S)	3PA61769-15		1	1	1	Refer to Page60
D6		1266308	Filter	フィルタ	3P032328-1		1	1	1	
D7		0423968	Mounting spring,thermistor	サーミスタ取付バネ	4PA38890-1		2	2	1	
E60		1267123	Thermal insulation tube piping	断熱筒配管緩衝材	4P011309-1		2	4	3	
E63		1267154	Insulation tube, evaporater header	蒸发器ヘッダー防露筒	4P073525-1		1	1	1	

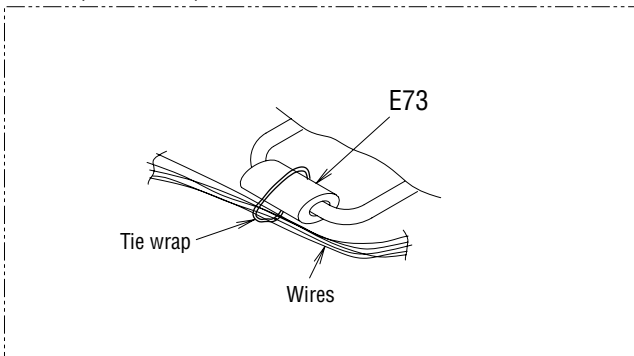
• When ordering the parts whose No. are not shown in the PARTS NO. column, be sure to describe DWG. NO..

• 部品番号欄が空白になっている部品は、図面番号で、指示願います。

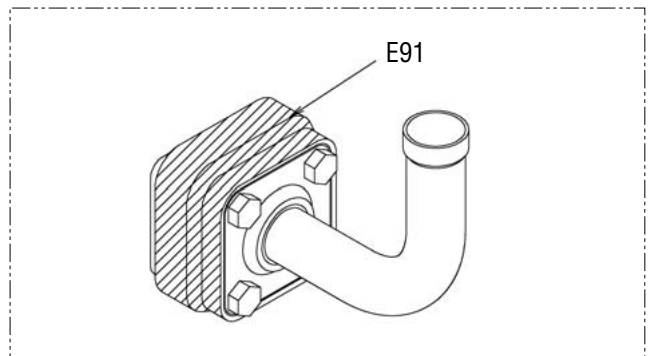
Other parts(Pipe clamp, sealing and insulation material etc.)
 その他部品 (配管固定具、シール材、防熱材等)



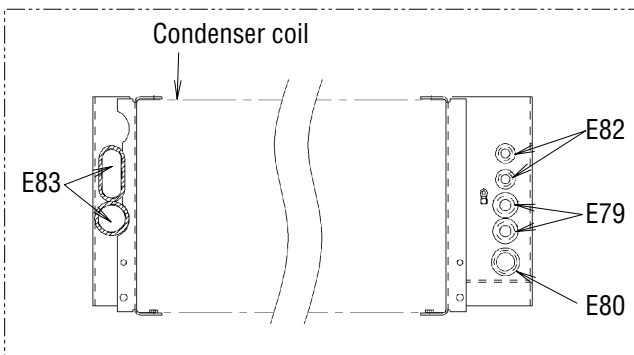
B詳細(Detail of B)



C詳細(Detail of C)



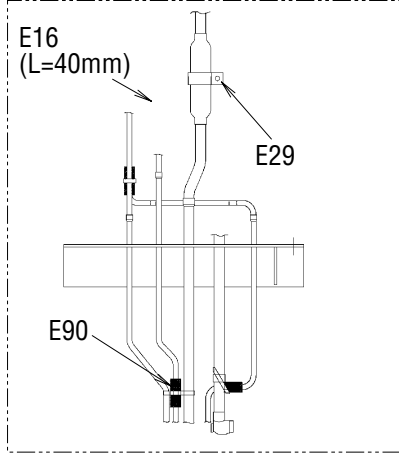
E断面(Section of E)



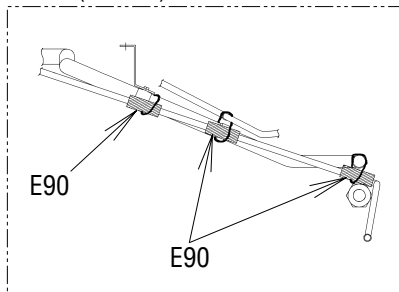
※(L = XX mm) indicates the length of cushion rubber E35. (Cut to suit pipe size.)

※(L = XX mm)と表記のものは、緩衝ゴム(E35)の長さです。(配管のサイズに合わせて切って使用ください。)

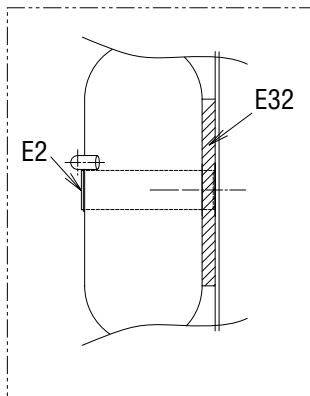
矢視A/B (View A/B)



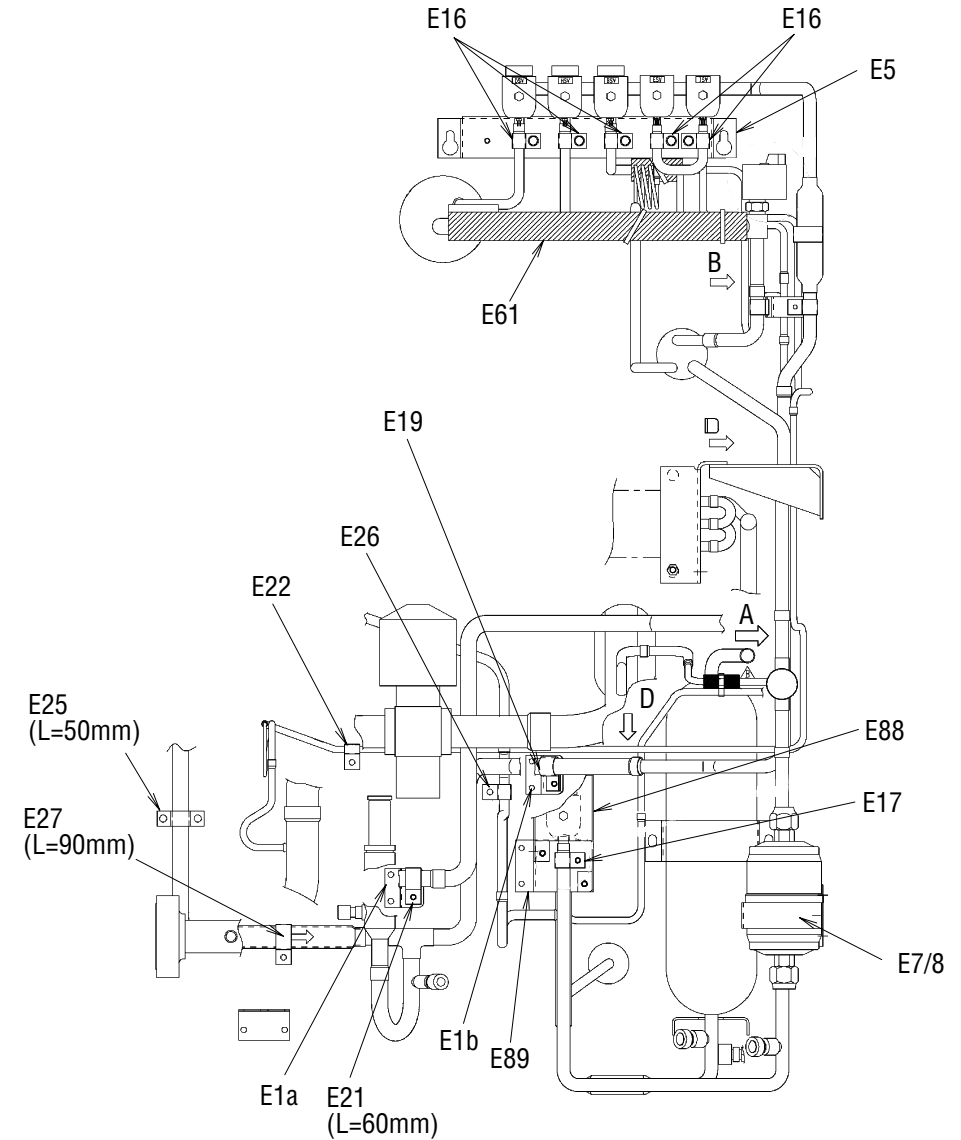
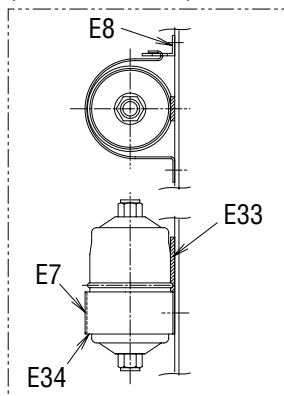
矢視D (View D)



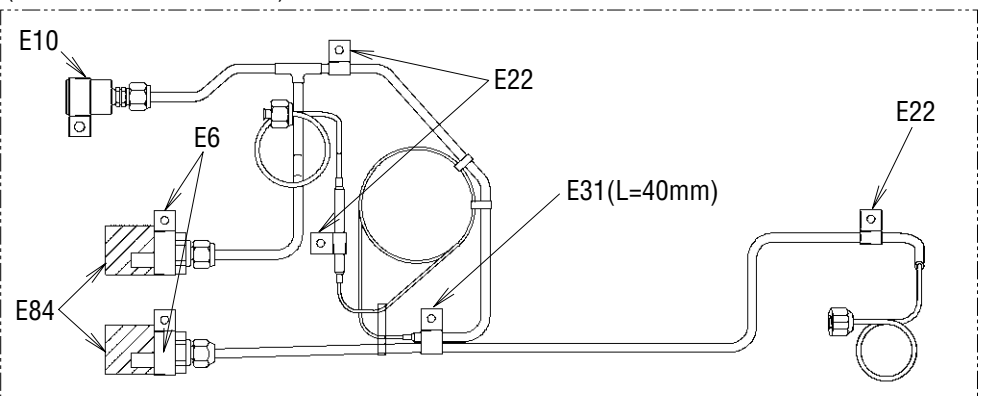
受液機器部詳細 (Receive part detail)



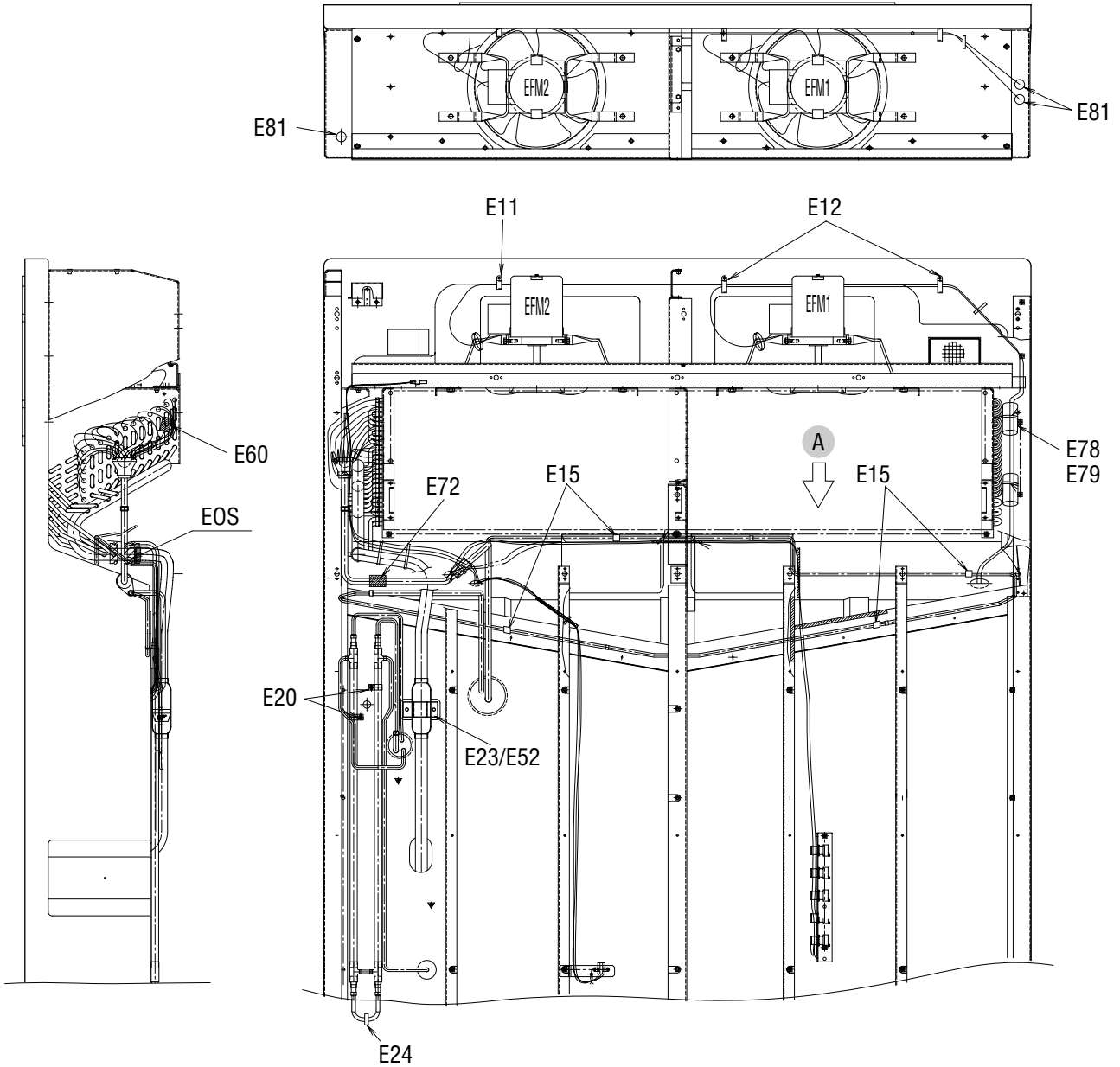
ドライヤー部詳細 (Dryer part detail)



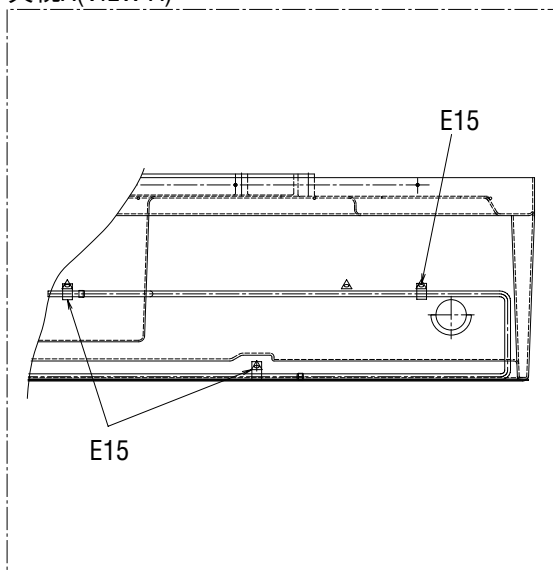
圧力センサー配管部詳細 (Pressure transducer detail)

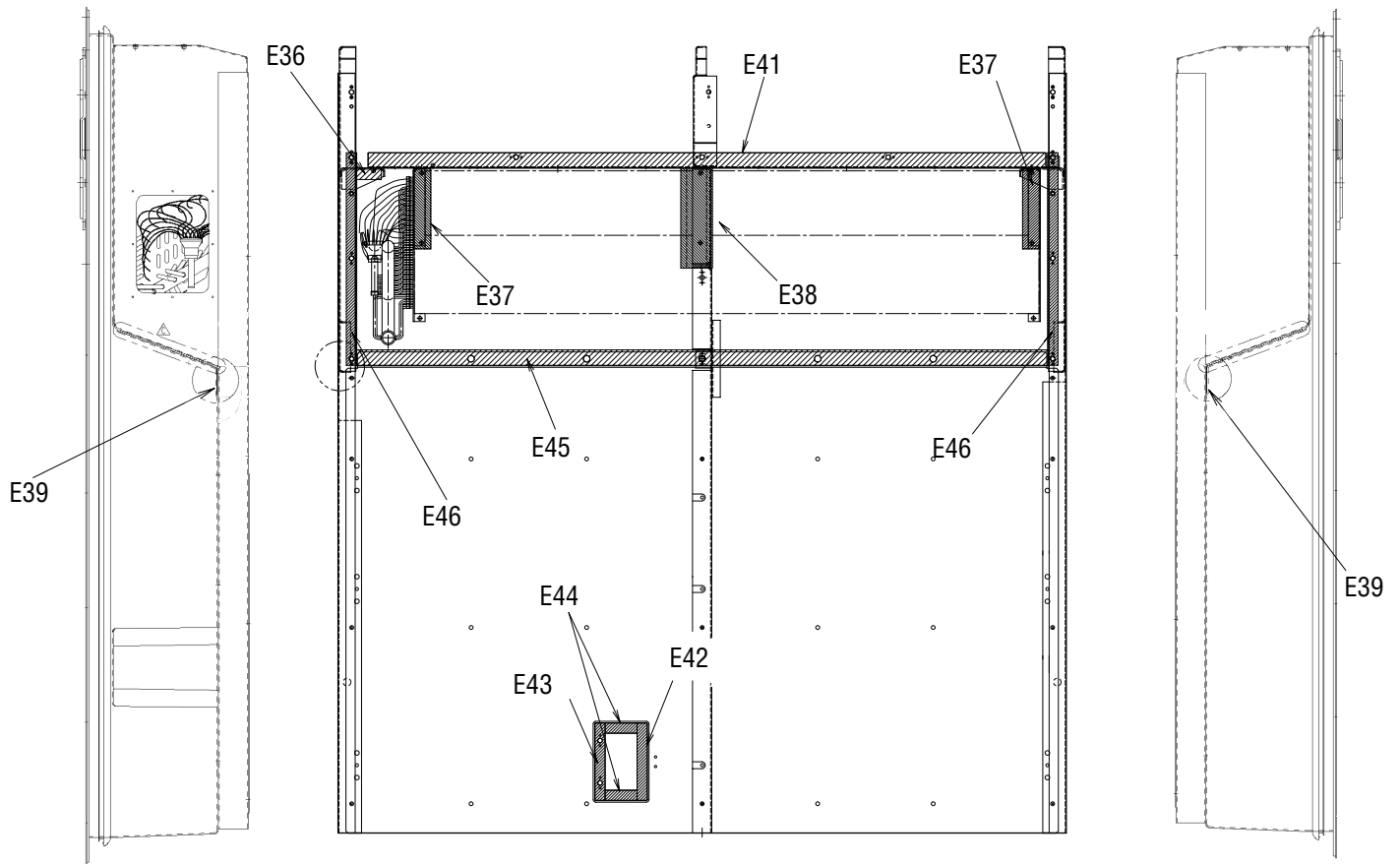
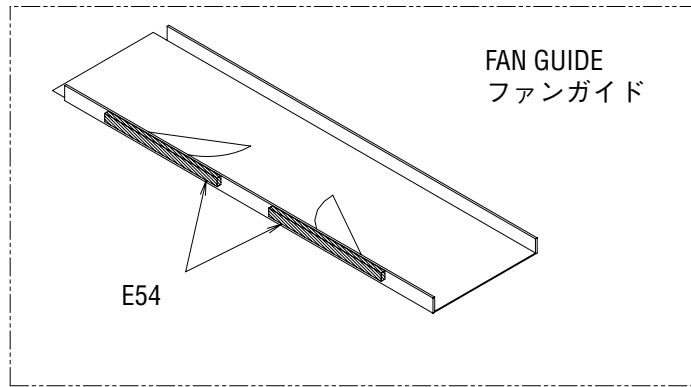


Other parts(Pipe clamp, sealing and insulation material etc.)
その他部品 (配管固定具、シール材、防熱材等)

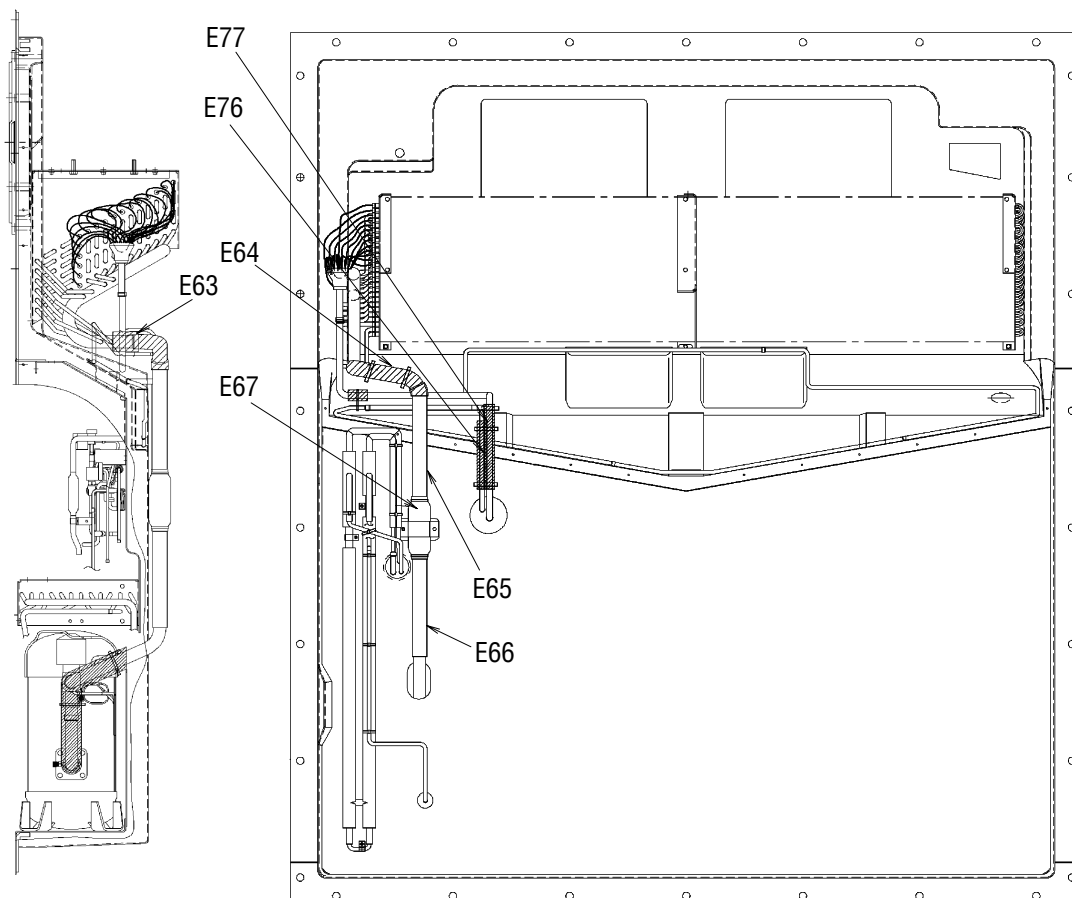
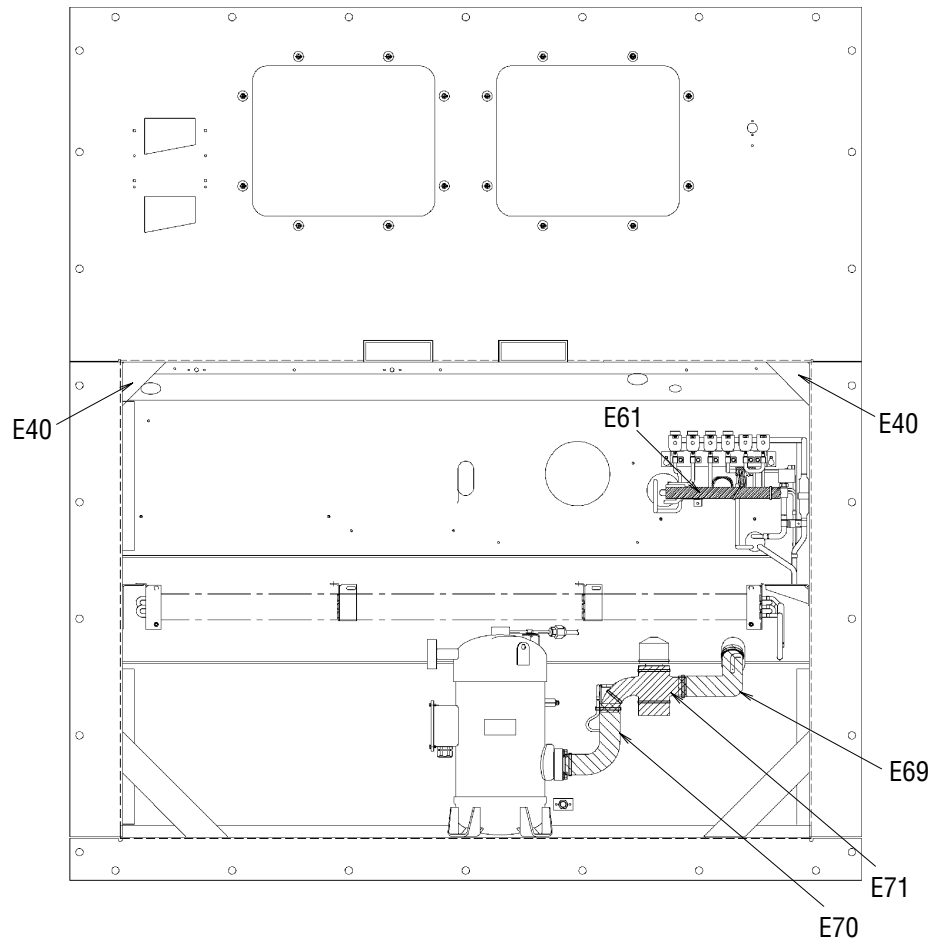


矢視A(VIEW A)





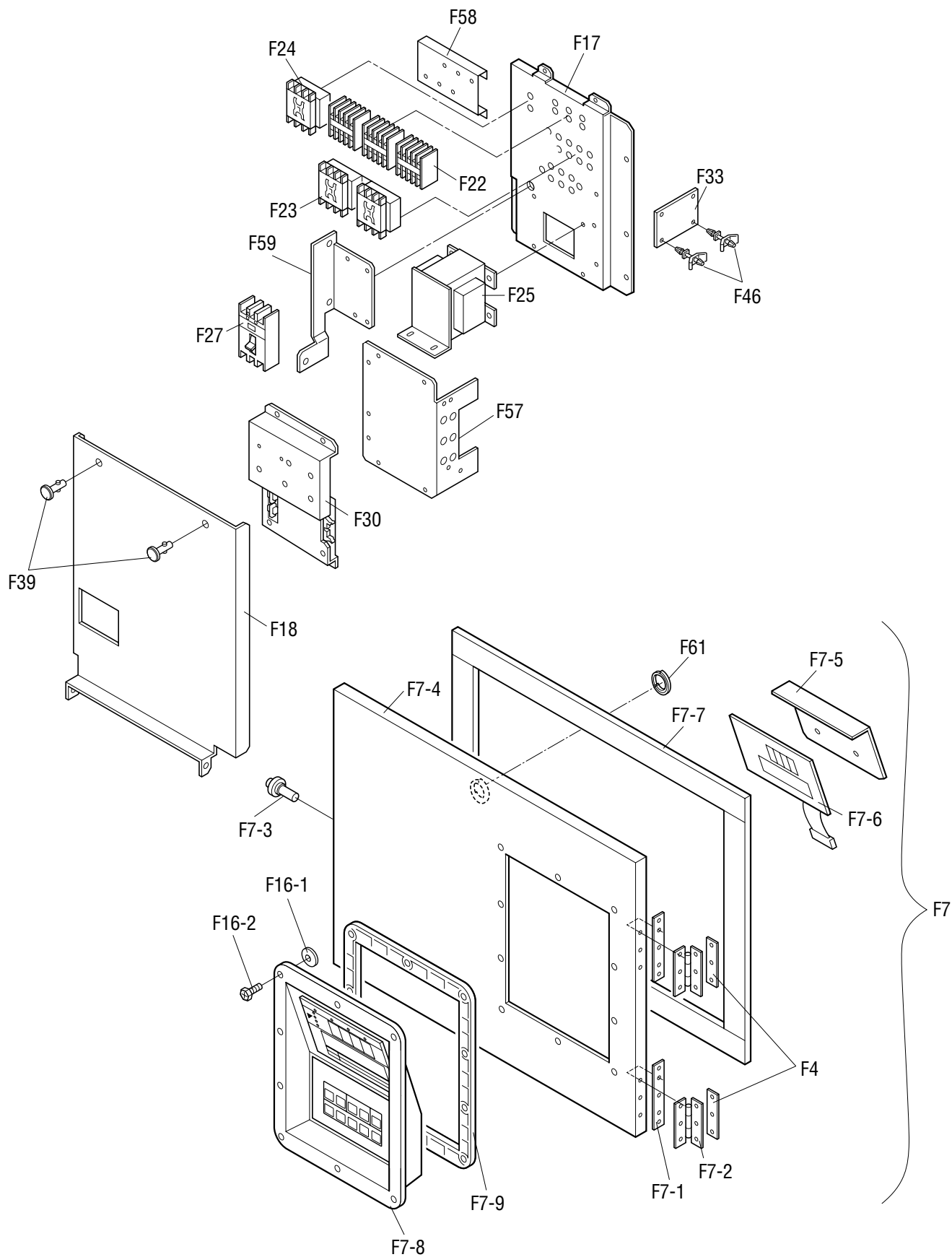
Other parts(Pipe clamp, sealing and insulation material etc.)
その他部品 (配管固定具、シール材、防熱材等)

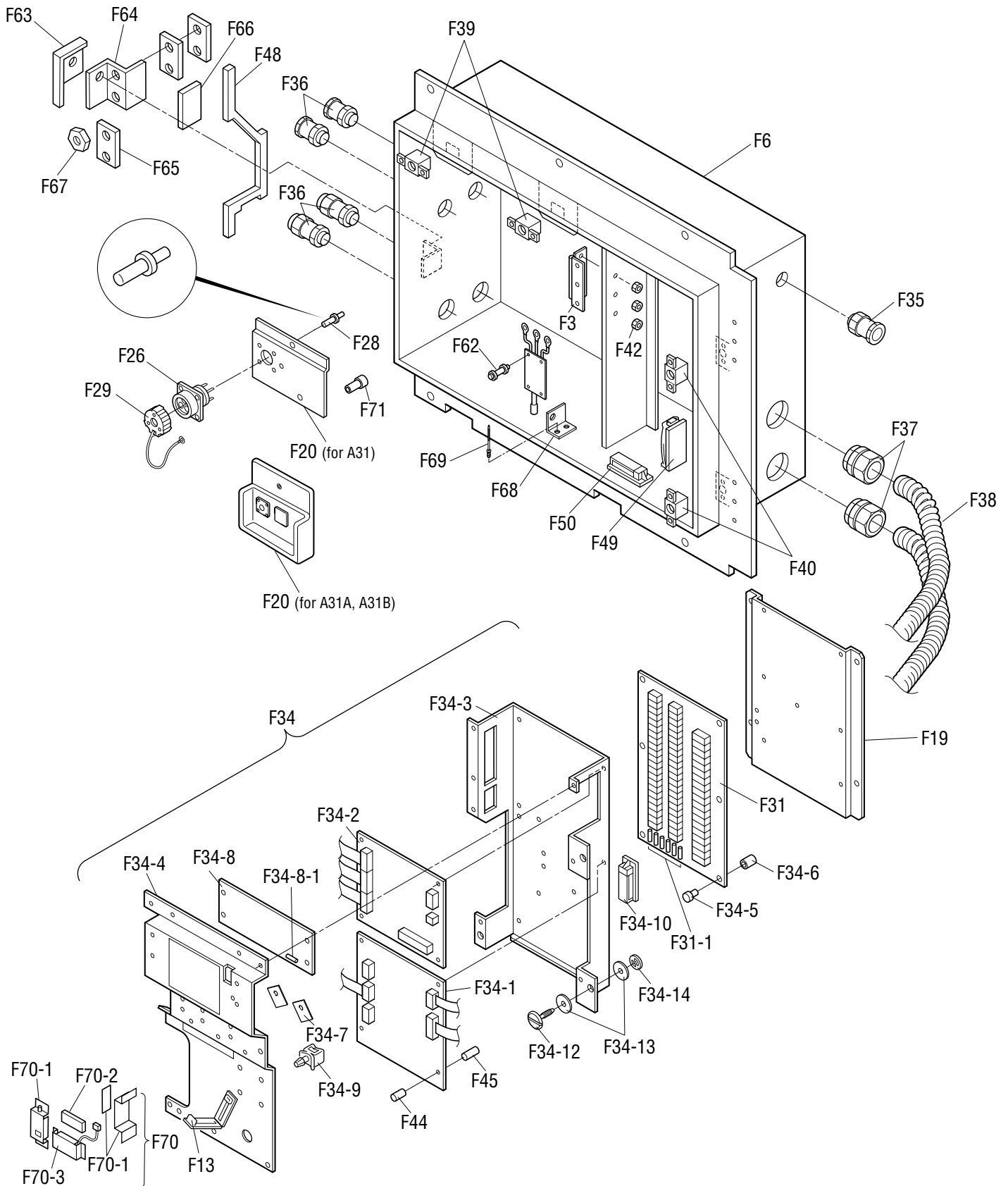


NO. 符号	INDEX	PARTS NO. 部品番号	PARTS NAME	部品名称	DWG. NO. 図面番号	TYPE SPECIFICATION 形式 仕様	QTY/UNIT			
							LXE10E-			
							A31	A31A	A31B	
E1a		1266694	Set plate, discharge pipe	吐出配管取付板	4P079462-1		1	1	1	Page35
E1b		1485938	Mounting plate	吐出配管取付板 (2)	4P117351-1		1	1		Page35
E2		1266702	Fixture plate, receiver	レシーバー固定具	4P011318-2	t1.5	1	1	1	Page35
E4		1612590	Pipe fixing plate	配管取付板組立品	4P148503-1		1	1		
E4		1683972	Pipe fixing plate	配管取付板組立品 (MSL)	4P158750-1				1	
E5		1605477	Set plate, HSV・DSV・BSV・RSV	HSV・DSV・BSV・RSV取付板組立品	4P148770-1		1	1	1	Page35
E6		1592425	Tube clamp	管止め金	NE31016-58		2	2	2	Page35
E7		1266764	Fitting band, dryer	ドライヤー取付バンド	4PA51194-1		1	1	1	Page35
E8		1266771	Set plate, dryer	取付板 (ドライヤ)	4P076788-1	t2.0	1	1	1	Page35
E10		1222764	Resin clamp	樹脂バンド	NE41015-9	MILK WHITE	1	1	1	Page35
E11		0944528	Resin clamp	樹脂バンド	NE41015-7	MILK WHITE	2	2	2	Page34,36
E12		0142492	Resin clamp	樹脂バンド	NE41015-10	MILK WHITE	2	2	2	Page36
E13		1266788	Resin clamp	樹脂バンド	NE41015-12		6	6	6	Page34
E15		0782775	Tube clamp	管止め金	NE31016-51		13	13	13	Page36
E16		1584215	Nylon coating tube clamp	ナイロンコーティング管止め金	4P143802-51		6	6	6	Page35
E17		1584208	Nylon coating tube clamp	ナイロンコーティング管止め金	4P143802-52		1	1	1	Page35
E19		1584222	Nylon coating tube clamp	ナイロンコーティング管止め金	4P143802-54		1	1		Page35
E20		1386992	Tube clamp, double tube heat exch	二重管熱交換管止め金	4P103281-56		2	2	2	Page36
E21		0016290	Tube clamp	管止め金	NE31016-56		1	1	1	Page35
E22		1584239	Nylon coating tube holder	ナイロンコーティング管止め金	4P143802-71		4	4	4	Page35
E23		1266827	Fixing plate, filter	フィルタ固定具	4P071794-1	t1.5	1	1	1	Page36
E24		1386985	Tube clamp, double tube heat exch	二重管熱交換管止め金	4P103281-51		1	1	1	Page36
E25		1266841	Tube clamp	管止め金 (2)	4P005817-2		1	1	1	Page35
E26		1584215	Nylon coating tube clamp	ナイロンコーティング管止め金	4P143802-51		2	2	2	Page35
E27		1266858	Tube clamp	管止め金	NE31016-59		2	2	2	Page35
E29		1584246	Nylon coating tube clamp	ナイロンコーティング管止め金	4P143802-59		1	1	1	Page35
E31		1380970	Hot gas tube clamp	ホットガス管止め金	4PA43040-1		1	1	1	Page35
E32		1266889	Cushion rubber, pipe clamp	緩衝ゴム (管止用)	4P064896-1	t1.0	1	1	1	Page35
E33		1266896	Seal packing	シールパッキン	4P011314-1		1	1	1	Page35
E34		1270446	Dryer cushion rubber	ドライヤ緩衝ゴム	4PA53083-2		1	1	1	Page35
E35		1584253	Cushion rubber	緩衝ゴム	NE41013-3-300		1	1	1	
E36		1386947	Sealing material, evaporator frame	蒸発器受枠 (1) シール材	4P090149-1		1	1	1	Page37
E37		1266935	Packing(for evaporator)	パッキン (蒸発器)	4P063465-1		2	2	2	Page37
E38		1266942	Packing(for evaporator)	パッキン (蒸発器)	4P063465-2		1	1	1	Page37
E39		1381036	Packing	パッキン	4P095033-1		2	2	2	Page37
E40		1177369	Cushion rubber	仕切用ゴム	4P026657-1	t2.0	2	2		Page38
E41		1386954	Packing, fan guide	ファンガイドパッキン	3P090183-1		1	1	1	Page37
E42		1266973	Sealing material(patch plate2)	シール材 (当板2)	4P068964-1	t5.0	1	1	1	Page37
E43		1381043	Sealing material(patch plate3)	シール材 (当板3)	4P095038-1		1	1	1	Page37
E44		1266997	Sealing material(patch plate1)	シール材 (当板1)	4P068968-1	t5.0	2	2	2	Page37

Other parts(Pipe clamp, sealing and insulation material etc.)
 その他部品 (配管固定具、シール材、防熱材等)

NO. 符号	INDEX	PARTS NO. 部品番号	PARTS NAME 部品名称	DWG. NO. 図面番号	TYPE SPECIFICATION 形式 仕様	QTY/UNIT				
						LXE10E-				
						A31	A31A	A31B		
E45		1267008	Sealing packing	シールパッキン	3P011293-1		1	1	1	Page37
E46		1267015	Packing(side stay)	パッキン (サイドステー)	4P074127-1	BLACK	2	2	2	Page37
E52		1584260	Cushion rubber	緩衝ゴム	NE41013-4-230		1	1	1	Page36
E54		1267060	Packing for prevention of air bypass	バイパス防止用パッキン	4P011733-1		2	2	2	Page37
E57		1267091	Wiring protection bush	配線保護ブッシュ	4P023920-1	BLACK	2	2	2	Page28
E60		1267123	Thermal insulation tube piping	断熱筒配管緩衝材	4P011309-1		2	4	3	Page35,36
E61		1605460	Insulation tube EV outlet pipe	膨張弁出口配管防露筒	4P148629-1		1	1		Page35,38
E61		1683989	Insulation tube EV outlet pipe	膨張弁出口配管防露筒 (P & O)	4P170252-1				1	Page35,38
E63		1267154	Insulation tube, evaporater header	蒸発器ヘッダー防露筒	4P073525-1		1	1	1	Page38
E64		1267161	Cushion material suction pipe(1)	吸入配管緩衝材 (1)	3P073468-1		1	1	1	Page38
E65		1267178	Cushion material suction pipe(2)	吸入配管緩衝材 (2)	3P073468-2		1	1	1	Page38
E66		1267224	Cushion material suction pipe(3)	吸入配管緩衝材 (3)	3P073468-3		1	1	1	Page38
E67		1584378	Suction pipe	吸入配管断熱材	4P140007-1		1	1	1	Page38
E69		1267255	Thermal insulation tube	断熱筒 (吸入弁庫外側)	4P081186-1		1	1	1	Page38
E70		1267262	Thermal insulation tube	断熱筒 (圧縮機根元吸入弁)	4P081187-1		1	1	1	Page38
E71		1448371	Suction solenoid valve insulator	吸入比例弁防熱材 (1)	2P079441-1		1	1	1	Page38
E72		1267286	Thermal insulation tube	断熱筒配管緩衝材	4P011309-3		1	1	1	Page36
E73		1267293	Thermal insulation tube	断熱筒配管緩衝材	4P011309-4		2	2	2	Page34
E76		1267325	Thermal insulation tube(drain outlet)	断熱筒 (ドレン入口管防露筒)	4P067126-1		1	1	1	Page38
E77		1485921	Thermal insulation tube	熱交入口管防露筒	4P117089-1		1	1	1	Page38
E78		1267349	Tube cushion material	配管緩衝材	4PA50427-1		1	1	1	Page36
E79		1278921	Heat protection tie wrap	耐熱用タイラップ	4SA90202-1		8	6	6	Page34,36
E80		1267356	Rubber bush	ゴムブッシュ	R3713279-4		1	1	1	Page34
E81		0024640	Rubber bush	ゴムブッシュ	R3713279-3		5	5	5	Page36
E82		1267370	Rubber bush	ゴムブッシュ	R3713279-2		2	2	2	Page34
E83		1267387	U-packing	U P 字形パッキン	NA40014-4-500	L=500	1	1	1	Page34
E84	B	1605509	Heat shrinkable tube	熱収縮チューブ	4P151322-1		2	2	2	Page35
E86	B	1270453	Heat shrinkable tube	熱収縮チューブ	4P075241-1		1	1	1	
E87	B	1497070	Thermal insulation tape, no-dry	不乾性形断熱テープ	3SA90101-3-KA		3	3	3	
E88		1494925	LSV cover	液電磁弁カバー	4P093386-1		1	1		Page35
E88		1667297	Protection plate	保護板	4P164903-1				1	Page35
E89		1270484	Mounting plate, solenoid valve	取付板	4P082208-1		1	1		Page35
E89		1656165	Mounting plate	液電磁弁・サブライセンサ固定板 (カバー有)	4P165877-1				1	Page35
E90		1381012	Protection rubber	保護ゴム	4PA43128-1		7	7	7	Page35
E91		1448388	Suction flange	吸入フランジシール材	4P083248-1		1	1	1	Page34



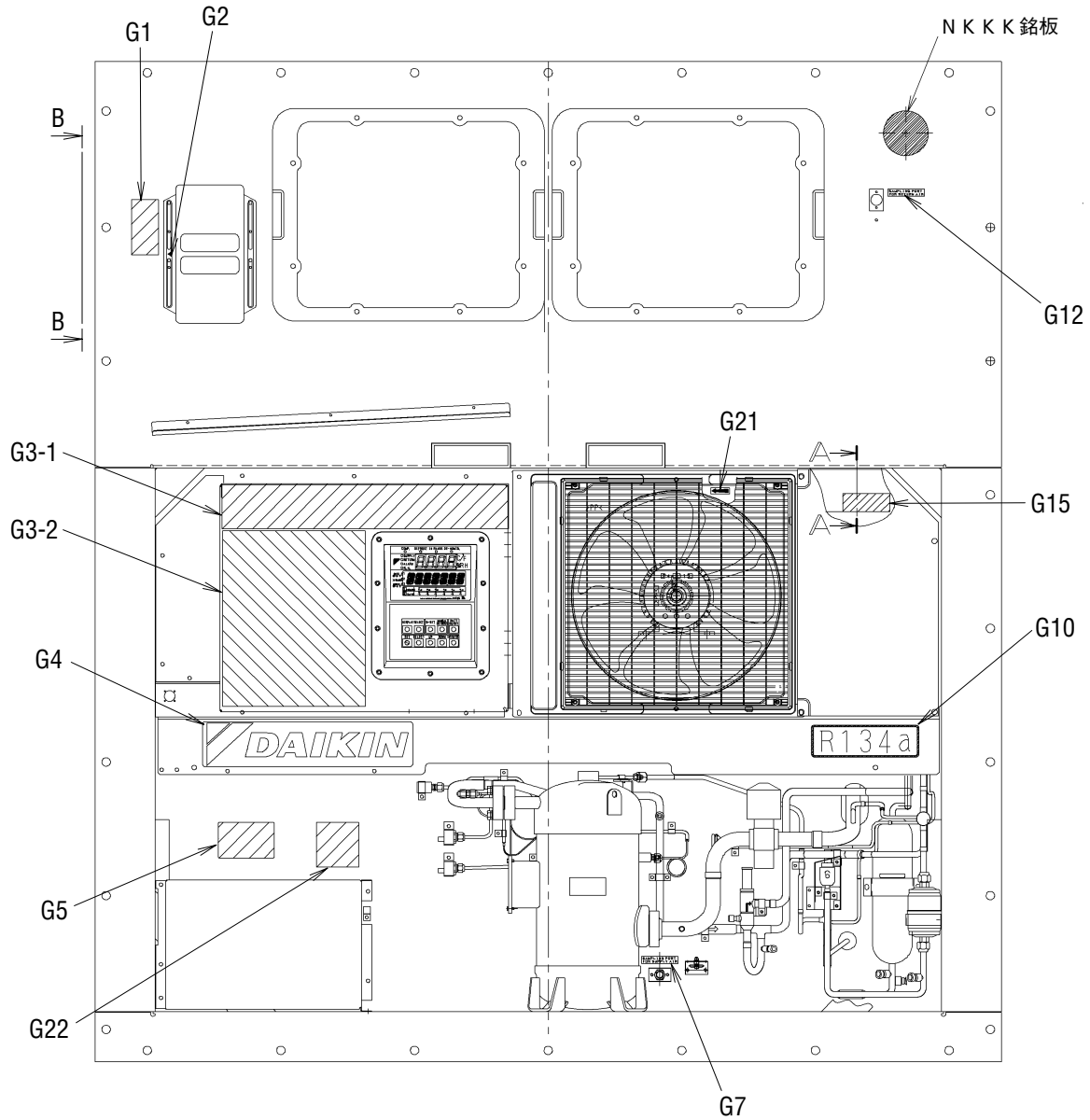


NO. 符号	INDEX	PARTS NO. 部品番号	PARTS NAME 部品名称	DWG. NO. 図面番号	TYPE SPECIFICATION 形式 仕様	QTY/UNIT			
						LXE10E-			
						A31	A31A	A31B	
F4		1136414	Patch plate nut 当板ナット	4P044898-2		2	2	2	
F6		1622496	C.BOX welding ass'y コントロールボックス溶接組立品	2P098553-4		1	1	1	
F7	C	1600636	C.BOX cover ass'y コントロールボックス蓋組立品	2P147871-6		1	1	1	
F7-1	C	1136407	Hinge(recorder/box cover) 平蝶番 (レコーダボックス蓋)	4P021346-1		2	2	2	
F7-2		1136414	Patch plate nut 当板ナット	4P044898-2		2	2	2	
F7-3		0907093	Roller, quick lock lever ワンタッチ金具用ローラ	4PA51277-1		1	1	1	
F7-4		1587841	C.BOX cover welding ass'y コントロールボックス蓋溶接組立品	3P085038-5		1	1	1	Refer to Page56
F7-5		1267457	Operation display cover 操作表示カバー	3P078251-1	t1.0	1	1	1	
F7-6	A	1010815	Display board 表示基板	2P010368-2		1	1	1	
F7-7		1381081	Rubber gasket ゴムガスケット (コントロールボックス蓋用パッキン)	4P085198-1		1	1	1	Refer to Page56
F7-8	A	1295553	Control panel(with sheet key) コントロールパネル (シートキー付)	3P085319-1		1	1	1	
F7-9		1128949	Packing パッキン (樹脂パネル)	3P030317-1		1	1	1	
F13		1136539	Clamp クランプ金具	4P015574-2		1	1	1	
F16-1		0907062	Seal washer シール座金 (ボンテッド座金)	4PA21941-5		10	10	10	
F16-2		1267488	Pan head machine screw アプセット小ネジ	4P067677-1	M5×16	10	10	10	
F17		1387197	Set plate(1) 機器取付板 (1)	2P095432-1		1	1	1	
F18		1267503	Blind plate(2) 機器取付板 (2)	2P078296-1	t1.2	1	1	1	
F19		1381098	Mounting plate, terminal board 端子台基板取付板	3P090389-1		1	1	1	
F20		1622605	PC port fixing plate パソコンポート固定板	3P147873-2		1			
F20		1678552	PC Port ass'y パソコンポート固定具組立品 (PPR5ハーネス・無)	2P158466-4			1	1	
F22	A	119893J	Magnetic contactor(for Fans) 電磁接触器 (ファン用)	3P055568-1	24V PAK-6J31C	3	3	3	
F23	A	124149J	Magnetic contactor(Phase correction contactor) 相順切換電磁接触器 (PCC)	3P071508-3	24V RSK-35J	1	1	1	
F24	A	119891J	Magnetic contactor(Compressor) 電磁接触器 (圧縮機)	3P055566-1	24V PAK35J-S536	1	1	1	
F25	C	1562796	Low frequency transformer 低周波変圧器	3P139293-1		1	1	1	
F26	C	1381113	PC port connector パソコンポートコネクタ	3P073218-1		1	1	1	
F27	A	1381120	Earth leakage circuit breaker 漏電遮断器	3P093326-1		1	1	1	
F28	C	1141144	Contact, receptacle コンタクト、レセプタクル用	3P010806-1	HD10	6	3	3	
F29		1381137	PC port connector ass'y パソコンポートカバー組立品	3P010743-2		1	1	1	
F30	A	0991050	PT/CT board PT/CTボード	2P017810-1		1	1	1	
F31	A	1256116	Terminal strip board 端子台基板	2P078284-1		1	1	1	
F31-1	A	0030652	Fuse, control 制御用ヒューズ	4SA42006-4	250V 10A	6			
F33	A	0329679	Reverse phase protector 逆相保護装置 (RPP)	3SA42153-1	346-440V	1	1	1	
F34	A	1584284	Controller assemblies コントローラ組立品	3P101756-7		1			
F34		1645747	Controller assemblies コントローラ組立品	3P161732-2			1	1	
F34-1	A	1581379	PCB ass'y プリント基板組立品	2P065387-16		1			
F34-1		1642553	PCB ass'y プリント基板組立品	2P161091-2			1	1	
F34-2	A	1378751	PCB ass'y(EC0279) プリント基板組立品 (EC0279)	2P010367-2		1			
F34-2	A	0954594	I/O board ass'y I/Oボード	2P010367-1			1	1	
F34-3		1381151	Bottom plate(sheet metal) コントローラ底板	2P098577-1		1	1	1	
F34-4	B	1381168	Controller cover 蓋 (コントローラ)	2P099967-1		1	1	1	

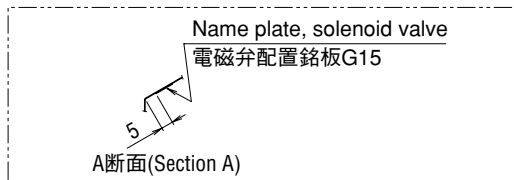
NO. 符号	INDEX	PARTS NO. 部品番号	PARTS NAME	部品名称	DWG. NO. 図面番号	TYPE SPECIFICATION 形式 仕様	QTY/UNIT		
							LXE10E-		
							A31	A31A	A31B
F34-5		1099940	Support bushing, PCB	プリント基板サポートブッシュ	MI49531-11		14	14	14
F34-6		1099957	Support color, PCB	プリント基板サポートカラー	MI49531-13		14	14	14
F34-7		1267572	Rubber transistor	放熱用ゴムトランジスタ	4P005330-1		2	2	2
F34-8	A	1250783	PC board for suction modulating valve	プリント基板組立品 (吸入制御弁用)	3P065441-1	EC0058	1	1	1
F34-8-1	A	044543J	Fuse, control	制御用ヒューズ	4SA42006-3	250V 5A	1		
F34-9		1267596	Locking wire saddle	ロッキングワイヤサドル	4P015570-2	LWS	3	3	3
F34-10		1267604	Flat cable clamp	フラットケーブルクランプスナップタイプ	4P015573-1		1	1	1
F34-12		1267611	Speed bolt	スピードボルト (M6)	4P048680-3	M6X20(S)	2	2	2
F34-13		860005	Washer, speed bolt	スピードボルト用座金	R4713334		19	4	4
F34-14		840002	Drop out prevention washer	脱落防止座金	R4718607-6		2	2	2
F35		1267628	Wire(wire ground)	電線 (電線グラウンド)	4P067662-1		1	1	1
F36		1267635	Wire(wire ground)	電線 (電線グラウンド)	4P067663-1		4	4	4
F37		1267642	Flexible tube connector	フレキシブル管用コネクタ	4P010926-6		2		
F37		1635346	Flexible tube(resin)	樹脂製フレキシブル管用グラウンド	4P157387-1			2	2
F38		1267659	Flexible wire tube	フレキシブル電線管	3P010927-62		2		
F38		1635353	Flexible tube(resin)	樹脂製フレキシブル管	4P157410-1			2	2
F39		1267666	Quick fastener	クイックファスナー	4P064642-1		2	2	2
F40		860015	Universal nut	自在ナット	R4713188-1		16	2	2
F42		833302	Nylon nut	ナイロンナット	R4716460-1	M4	4	4	4
F44		1099940	Support bushing, PCB	プリント基板サポートブッシュ	MI49531-11		14	7	7
F45		1099957	Support color, PCB	プリント基板サポートカラー	MI49531-13		14	7	7
F46		981616	Locking card spacer	ロッキングカードスペーサー	R3428091-3	KGLS-8S	4	4	4
F48		1326820	Packing(C.BOX front plate)	パッキン (コントロールボックス前板)	4P085513-1		1	1	1
F49		1136539	Clamp	クランプ金具	4P015574-2		2	2	2
F50		1267712	Clamp	クランプ金具	3P049495-1		2	2	2
F57		1549894	Sset plate(PT/CT board)	機器取付板 (P T / C T ボード)	3P126713-1		1	1	1
F58		1267781	Mounting plate, elect components	電装品取付板	4P064227-1	t=1.2	1	1	1
F59		1549902	Set plate(breaker)	機器取付板 (ブレーカ)	3P126712-1		1	1	1
F61		1295623	Fixtture(instruction ring)	固定具 (インストラクションリング)	4P064698-1	Wire diameter	1	1	1
F62		1381175	Circuit board spacer	サーキットボードスペーサ	4P000347-1		4	4	4
F63		1295630	Lever	ワンタッチ金具	4P085171-1		1	1	1
F64		1295647	Fixing plate for lever	ワンタッチ金具取付板	4P085164-1		1	1	1
F65		0907125	Sealed sheet	絶縁シート (ワンタッチ金具)	4PA52417-1	t0.075±0.01	1	1	1
F66		0907132	Sealed sheet	絶縁シート (ワンタッチ金具)	4PA52417-2	t0.075±0.01	1	1	1
F67		833301	Nylon nut	ナイロンナット	R4716460-3	M6	3	3	3
F68		1562859	Implent use cover mounting plate	機器カバー取付板	4P095433-1		1	1	1
F69		1378441	Rivet	リベット	4P057425-2		2	2	2
F70	A	1378162	Chargeble battery ass'y	充電器組立品	2P103790-1		1	1	1
F70-1		1381182	Chargeble battery PCB ass'y	充電P板組立品	2P103790-1-KA		1	1	1
F70-2		1381207	Chargeable battery	チャージャブルバッテリー	2P103790-1-KI		1	1	1

NO. 符号	INDEX	PARTS NO. 部品番号	PARTS NAME	部品名称	DWG. NO. 図面番号	TYPE SPECIFICATION 形式 仕様	QTY/UNIT		
							LXE10E-		
							A31	A31A	A31B
F70-3		1381214	Battery holder	電池ホルダ	2P103790-1-KU		1	1	1
F71		1381221	Wire harness	平行ピン (ドイツ製シールピン)	3P040139-1		2	2	2
F72	A	0927770	Humidity sensor(HUS)	湿度センサー	3PA61738-1	RHU-600A-DI	1	1	1

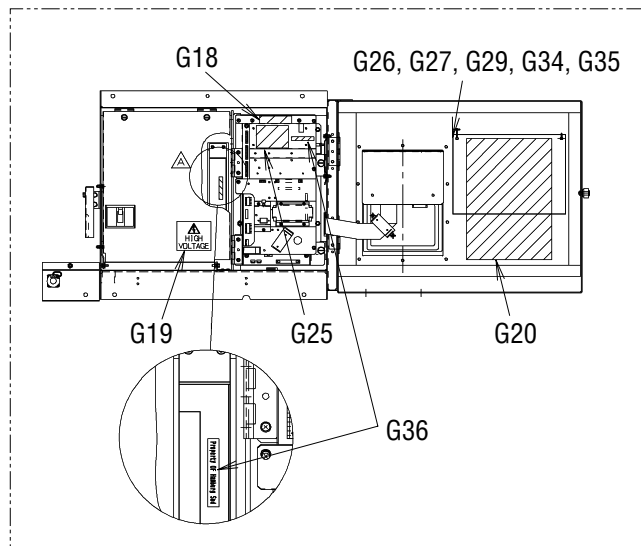
NO. 符号	INDEX	PARTS NO. 部品番号	PARTS NAME	部品名称	DWG. NO. 図面番号	TYPE SPECIFICATION 形式 仕様	QTY/UNIT		
							LXE10E-		
							A31	A31A	A31B

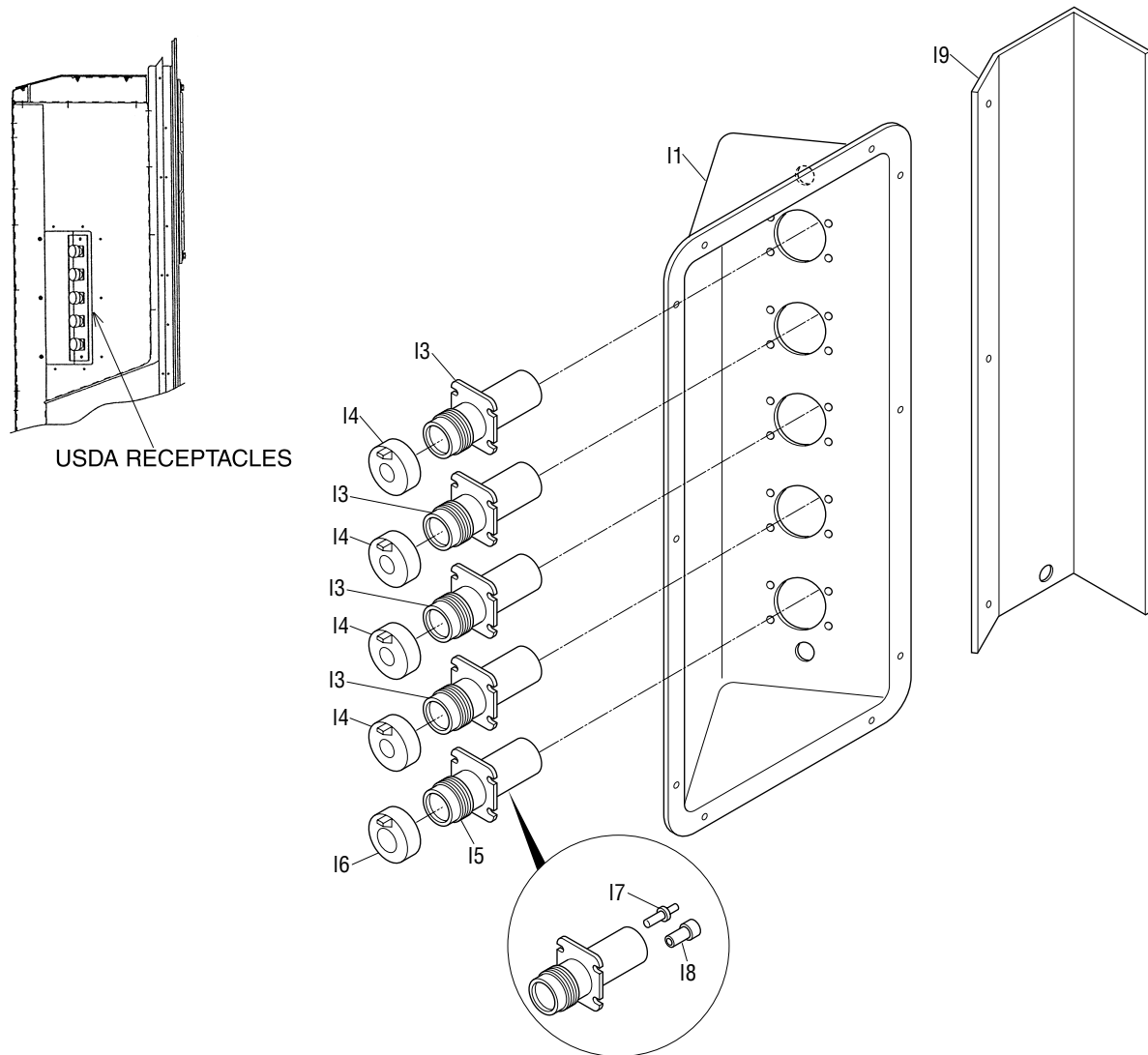


電磁弁配置銘板貼付位置詳細
(Detail location of nameplate, solenoid valve)

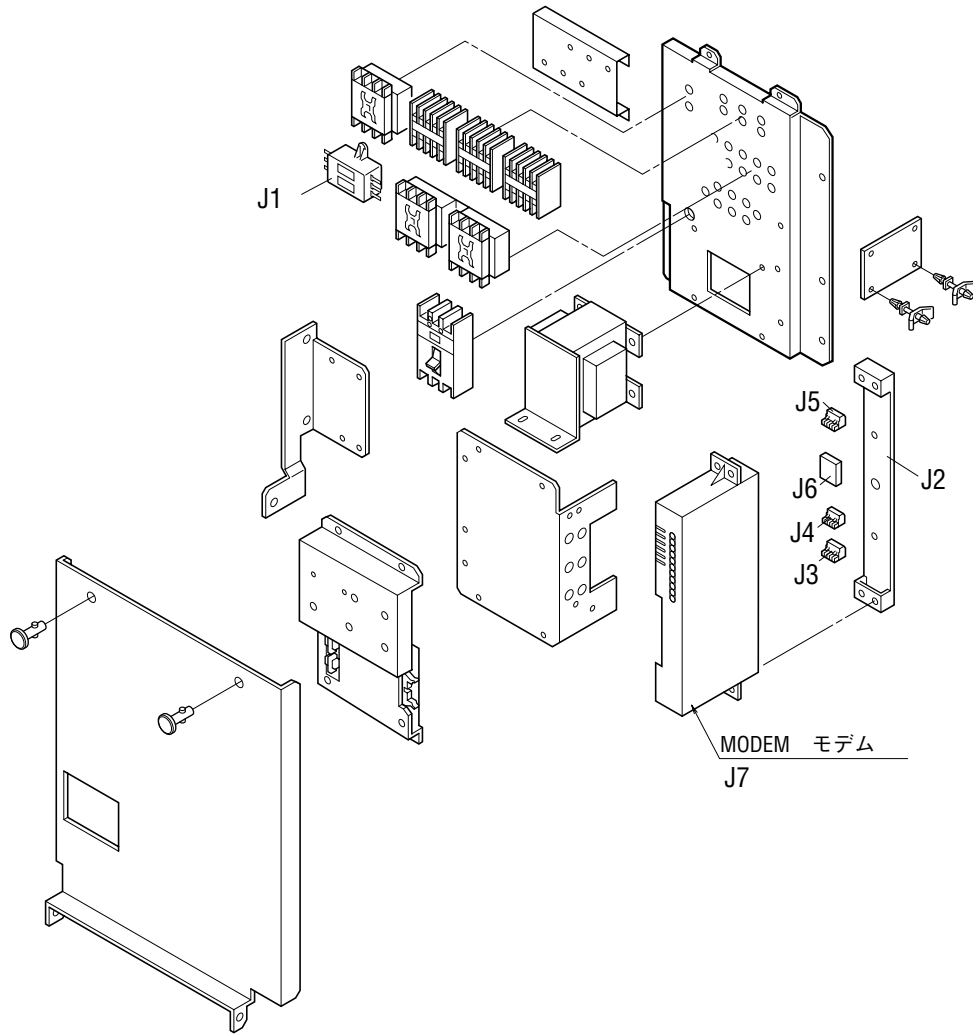


コントロールボックス内部(Inside of Control Box)





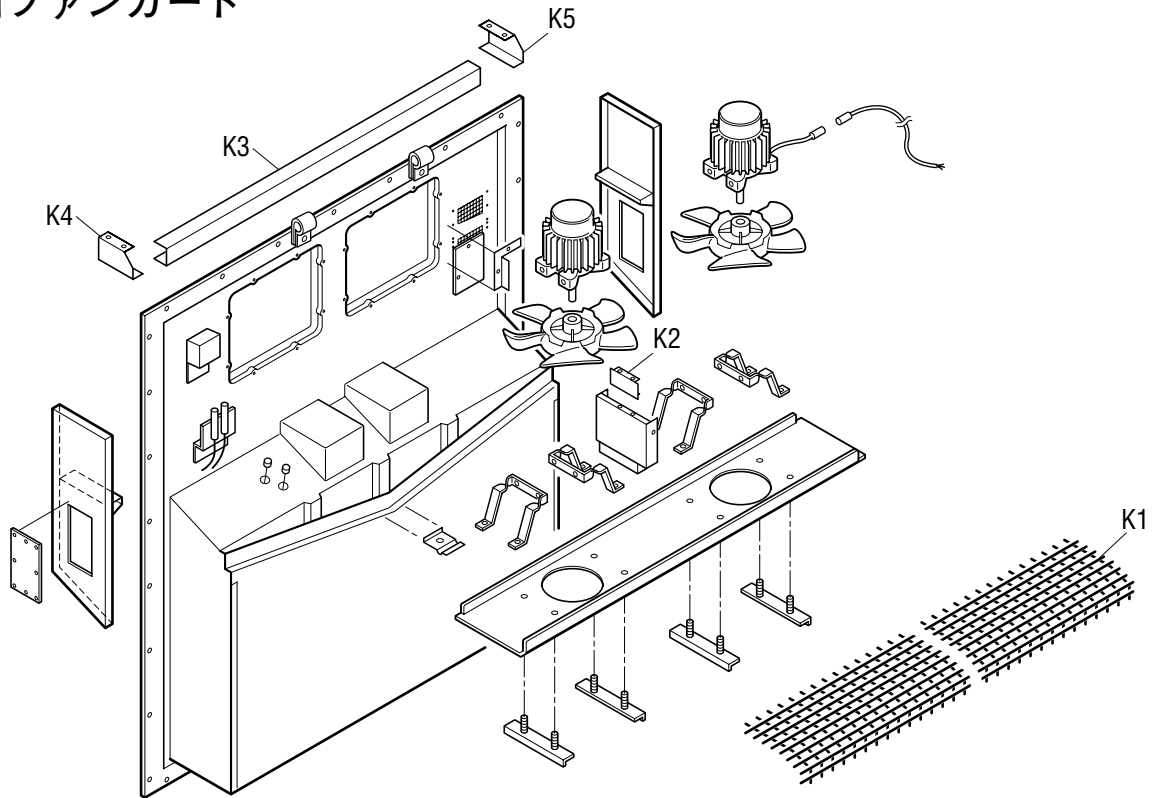
NO. 符号	INDEX	PARTS NO. 部品番号	PARTS NAME	部品名称	DWG. NO. 図面番号	TYPE SPECIFICATION 形式仕様	QTY/UNIT		
							LXE10E-1		
							A31	A31A	A31B
I1		1622580	Mounting plate ass'y, receptacle	U S D A 取付板 (樹脂)	2P146266-1		1	1	1
I3	C	0991531	PC port connector	パソコンポートコネクタ	3P010803-1		4	4	4
I4		1267541	Cover ass'y, PC port	パソコンポートカバー組立品	3P010743-1		4	4	4
I5	C	1381113	PC port connector	パソコンポートコネクタ	3P073218-1		1	1	1
I6		1381137	PC port connector ass'y	パソコンポートカバー組立品	3P010743-2		1	1	1
I7	C	1141144	Contact, receptacle	コンタクト、レセプタクル用	3P010806-1	HD10	12	11	11
I8	C	1381221	Wire harness	平行ピン (ドイチエ製シールピン)	3P040139-1		2	6	6
I9		1622597	USDA Receptacle cover	U S D A レセプタクルカバー	3P146268-1		1	1	1



NO. 符号	INDEX	PARTS NO. 部品番号	PARTS NAME	部品名称	DWG. NO. 図面番号	TYPE SPECIFICATION 形式 仕様	QTY/UNIT		
							LXE10E-1		
							A31	A31A	A31B
J1	B	0954640	Noise filter	ノイズフィルタ	2PA51273-1	ZAC2206-11	1	1	1
J2		1448410	Mounting plate(modem)	取付板 (モデム)	4P081133-1		1	1	1
J3		1267736	Connector for MODEM	モデム用コネクタ	3P012038-3	BLA3	1	1	1
J4		1267743	Connector for MODEM	モデム用コネクタ	3P010371-7		1	1	1
J5		1267750	Connector for MODEM	モデム用コネクタ	3P012038-7	BLA7	1	1	1
J6	B	0468839	Noise filter(for modem)	ノイズフィルター (モデム用)	3EA76001-1		1	1	1
J7	A	1624360	Slave MODEM	スレーブモデム	2P014340-1		1	1	1

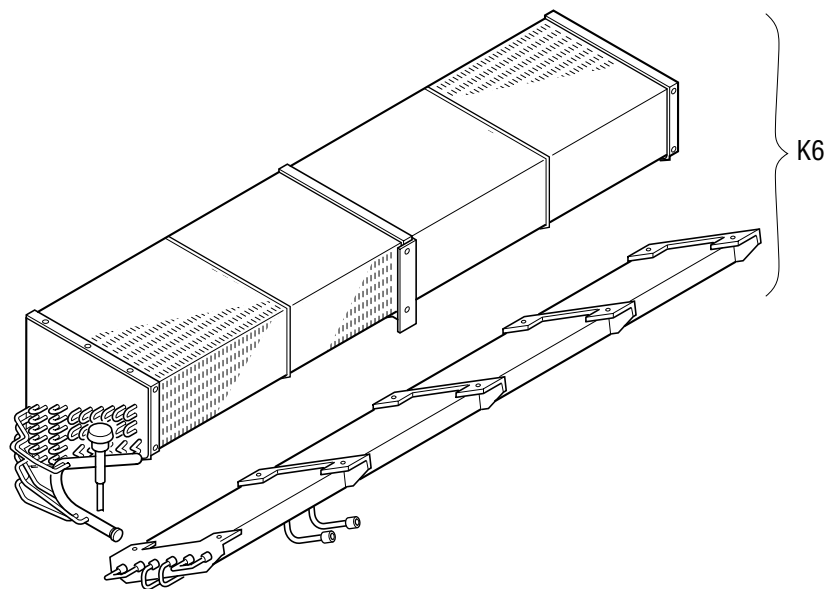
1. Indoor fan guard

1. 庫内ファンガード



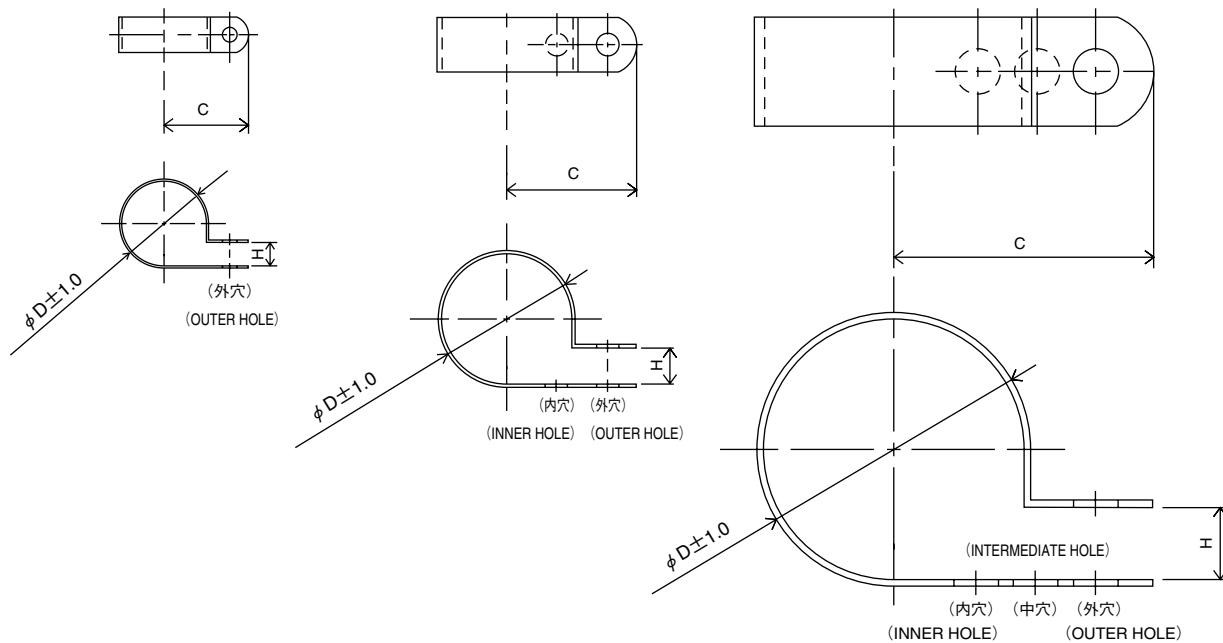
2. Evaporator coil

2. 蒸発器コイル組立品



1. Resin clamp

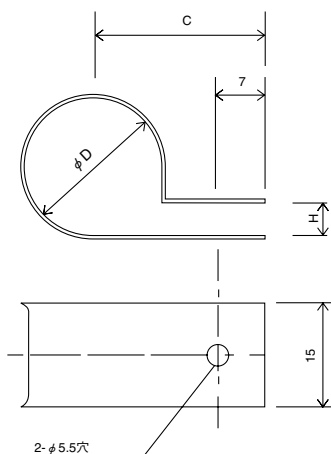
1. 樹脂バンド



NO. 符号	PARTS NO. 部品番号	PARTS NAME	部品名称	DWG NO. 図面番号	SIZE サイズ			QTY 使用個数
					D	C	H	
E10	1222764	Resin clamp	樹脂バンド	NE41015-9	26.9	27.8	7.9	1
E11	0944528	Resin clamp	樹脂バンド	NE41015-7	19.8	24.6	7.9	2
E12	0142492	Resin clamp	樹脂バンド	NE41015-10	29.2	29.4	7.9	2
E13	1266788	Resin clamp	樹脂バンド	NE41015-12	39.4	34.2	9.5	6

2. Tube clamp

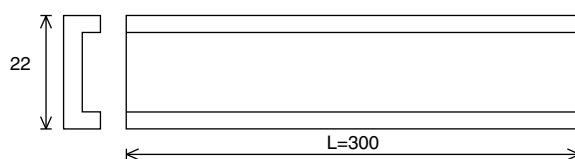
2. 管止金



NO. 符号	PARTS NO. 部品番号	PARTS NAME	部品名称	DWG NO. 図面番号	SIZE サイズ			QTY 使用個数
					D	C	H	
E6	1592425	Tube clamp	管止め金	NE31016-58	24	27	5	2
E15	0782775	Tube clamp	管止め金	NE31016-51	10	20	3	13
E16	1584215	Nylon coating tube clamp	ナイロンコーティング管止め金	4P143802-51	10	20	3	6
E17	1584208	Nylon coating tube clamp	ナイロンコーティング管止め金	4P143802-52	12	21	3	1
E19	1584222	Nylon coating tube clamp	ナイロンコーティング管止め金	4P143802-54	16	23	4	1
E21	0016290	Tube clamp	管止め金	NE31016-56	20	25	5	1
E22	1584239	Nylon coating tube holder	ナイロンコーティング管止め金	4P143802-71	6.4	20	1	4
E26	1584215	Nylon coating tube clamp	ナイロンコーティング管止め金	4P143802-51	10	20	3	2
E27	1266858	Tube clamp	管止め金	NE31016-59	26	28	5	2
E29	1584246	Nylon coating tube clamp	ナイロンコーティング管止め金	4P143802-59	26	28	5	1

3. Cushion rubber for pipe clamp

3. 管止金用緩衝ゴム



NO. 符号	PARTS NO. 部品番号	PARTS NAME	部品名称	DWG NO. 図面番号	REMARKS 備考
E35	1584253	Cushion rubber	管止金用緩衝ゴム	NE41013-3-300	Cut to suit pipe size. 配管サイズに合わせて切って使用のこと

1. Parts recommended to be ordered together with packing, gasket, sealing material and name plate
1. 発注の際にパッキングやシール材、銘板等の同時発注を推奨する部品

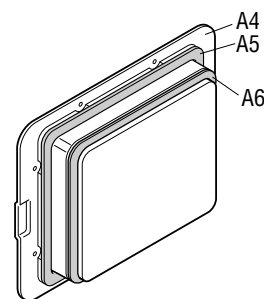
For ordering following spare parts, we recommend that you order the following packing, gasket, sealing material and name plate together at the same time.

上記のサービス扉やボックスカバーを発注の際には、下記のパッキングを同時に発注することをおすすめします。

(1) Service door

(1) サービス扉

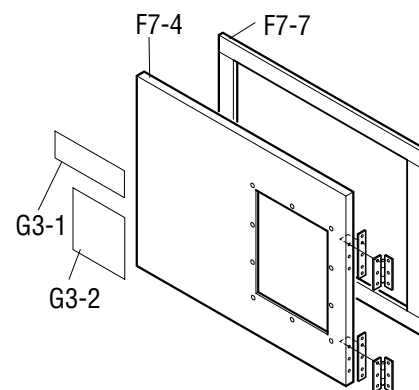
NO. 符号	PARTS NO. 部品番号	PARTS NAME	部品名称	DWG NO. 図面番号	REMARKS 備考
A4	1612576	Access panel (FRP)	サービス扉組立品	1P006678-5	(Without cushion and sealing material) (クッション材、シール材なし)
A5	1266207	Cushion material (access panel)	クッション材 (サービス扉)	3P033608-1	
A6	1196113	Sealing material (access panel)	シール材 (サービス扉)	3P001640-2	



(2) Control box cover

(2) コントロールボックスカバー

NO. 符号	PARTS NO. 部品番号	PARTS NAME	部品名称	DWG NO. 図面番号
F7-4	1587841	C-BOX Cover welding ass'y	コントロールボックス蓋溶接組立品	3P085038-5
F7-7	1381081	Rubber gasket	ゴムガスケット (C. BOX蓋用パッキン)	4P085198-1
G3-1	1494538	Operation name plate upper	操作銘板上 (英・スペイン)	3P128419-1
G3-2	1622504	Operation name plate lower	操作銘板下 (英・スペイン) HSD	3P155660-1



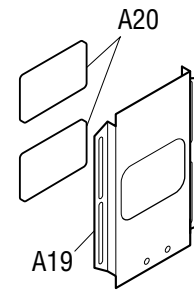
※Wiring diagram name plate is different by model.

※電気配線図銘板は機種により異なります。

(3) Ventilation cover

(3) 換気口蓋

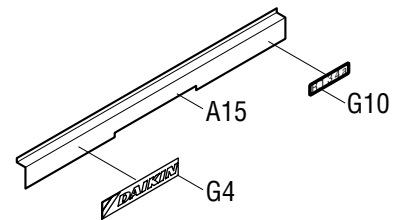
NO. 符号	PARTS NO. 部品番号	PARTS NAME	部品名称	DWG NO. 図面番号
A19	0981060	Ventilation cover	換気口蓋	3P003175-1
A20	1266221	Sealing material (access panel)	シール材 (換気口)	4P016185-1



(4) Front plate (CA)

(4) 前板 (CA)

NO. 符号	PARTS NO. 部品番号	PARTS NAME	部品名称	DWG NO. 図面番号	QTY/UNIT		
					LXE10E-		
					A31	A31A	A31B
A15	1270338	Front plate (CA)	前板 (C A)	2P061345-1	1	1	
A15	1661299	Front plate (CA)	前板 (C A)	2P165976-1			1
G4	1306530	Brand name label	意匠銘板	4P085985-1	1	1	1
G10	1178843	Name plate, refrigerant	冷媒銘板	3P009750-1	1	1	1



2. Order for motorized valve, solenoid valve and pressure regulating valve

2. 電動弁・電磁弁・圧力調整弁の発注

Refer to the following table for the name, main body, solenoid coil and ass'y of solenoid valves etc. applied to this model.

この機種に使用されている電磁弁等の名称と本体・コイル・組立品は下記のとおりです。

	Body/Coil 本体/コイル	NO. 符号	PARTS NO. 部品番号	PARTS NAME	部品名称	DWG NO. 図面番号	Common Parts 共通部品		
							NEV-803DXF	NEV-202DXF	NEV-MOAB507C
1.EV	本体 Body	B7-3	125649J	Electronic expansion valve body ass'y	電子膨張弁本体組立品	2SA50010-2-KU			
	コイル Coil	B20	1381430	Motor operated valve coil	電動弁コイル	2P010454-2			
2.HSV	本体 Body	B7-4	0944566	Hot gas solenoid valve body	ホットガス電磁弁本体	R3305118-1	○		
	コイル Coil	B7-5	0955287	Hot gas solenoid valve coil	ホットガス電磁弁コイル	3P010453-1			○
3.DSV	本体 Body	B7-4	0944566	Defrost bypass solenoid valve body	デフロストバイパス電磁弁本体	R3305118-1	○		
	コイル Coil	B7-5	0955287	Defrost bypass solenoid valve coil	デフロストバイパス電磁弁コイル	3P010453-1			○
4.BSV	本体 Body	B7-4	0944566	Gas bypass solenoid valve body	ガスバイパス電磁弁本体	R3305118-1	○		
	コイル Coil	B7-5	0955287	Gas bypass solenoid valve coil	ガスバイパス電磁弁コイル	3P010453-1			○
5.ESV	本体 Body	B7-6	0088738	Economizer solenoid valve body	エコノマイザー電磁弁本体	R3305099-1-KI		○	
	コイル Coil	B7-5	0955287	Economizer solenoid valve coil	エコノマイザー電磁弁コイル	3P010453-1			○
6.ISV	本体 Body	B7-6	0088738	Injection solenoid valve body	インジェクション電磁弁本体	R3305099-1-KI		○	
	コイル Coil	B7-5	0955287	Injection solenoid valve coil	インジェクション電磁弁コイル	3P010453-1			○
7.LSV	本体 Body	B4-5	0944566	Liquid solenoid valve body	液電磁弁本体	R3305118-1	○		
	コイル Coil	B4-6	0955287	Liquid solenoid valve coil	液電磁弁コイル	3P010453-1			○
8.SMV	組立品 Ass'y	B8-1	1254538	Suction modulating valve ass'y	吸入比例弁 A S S Y	2P078385-1			Note 1 注 1
9.DPR	組立品 Ass'y	B3-4	1241361	Discharge pressure regulating valve	吐出圧力調整弁	3P074558-1			

Note 1 : Refer Page 24, 25 and 26 for detail parts of suction modulating valve.

注 1 : SMV (吸入比例弁) の詳細部品はP.24、25、26を参照ください。

Note 2 : Difference of solenoid valve No.1266290 and 0955287.

No.1266290 (3P010453-2) : Lead wire length 1550mm

No.0955287 (3P010453-1) : Lead wire length 2000mm

注 2 : 電磁弁No.1266290とNo.0955287の違い。

No.1266290 (3P010453-2) : リード線長さ1550mm

No.0955287 (3P010453-1) : リード線長さ2000mm

3. Order for pressure trasducer

3. 圧力センサーの発注

Refer to the following table for the pressure transducer applied to this model.

For ordering pressure transducer, we recommend that you order the following best shrinkable tube together at the same time.

この機種に使用している圧力センサーは下記の通りです。

圧力センサー発注の際は、下記の熱収縮チューブを同時に発注することをおすすめします。

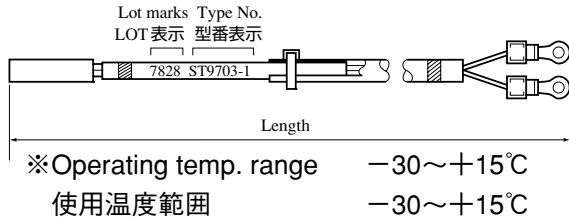
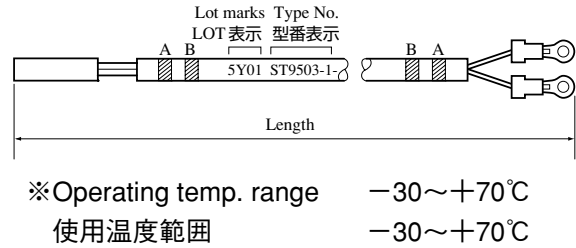
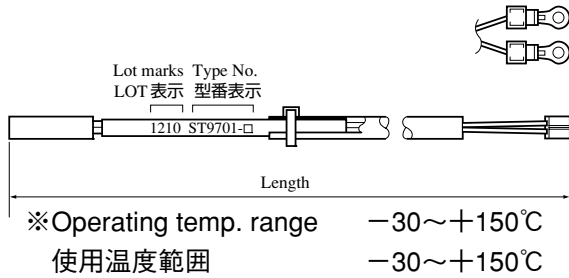
呼称名	NO. 符号	PARTS NO. 部品番号	PARTS NAME	部品名称	DWG NO. 図面番号	TYPE 形式	REMARKS 備考
HPT	B16	1587959	High pressure transducer	高圧圧力センサ	3P141602-1	SPCH01	
LPT	B15	1587942	Low pressure transducer	低圧圧力センサ	3P141601-1	SPCH02	
	E84	1605509	Heat shrinkable tube	圧力センサ熱収縮チューブ	4P151322-1	SPCL02	Must be applied when replacing above sensors. 上記圧力センサー交換時使用の事。

4. Order for temperature sensor

4. 温度センサーの発注

Refer to the following table for temperature sensors applied to this model.

この機種に使用されている温度センサーは下記の通りです。



※1 Location 取付場所

Indoor A : Indoor supply air side

Indoor B : Indoor return air side

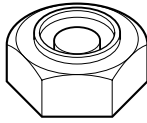
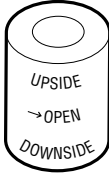
庫内A : 庫内吹出空気側

庫内B : 庫内吸込空気側

呼称	NO. 符号	PARTS NO. 部品番号	PARTS NAME 部品名称	DWG. NO. 図番	TYPE 形式	WIRE COLOR 配線色		LENGTH 全長mm	※1 LOCATION 取付場所	TEMPORALY EXCHANGABILITY 緊急時互換性	
						A	B				
1. SS	C24	137531J	Supply air temp. sensor	吹出空気温度センサー	3PA61769-11	ST9503-11	green 緑	- -	4700	Indoor A 庫内A	○
2. DSS	C25	1375327	Data recorder supply air temp. sensor	データレコーダ吹出空気温度センサー	3PA61769-12	ST9503-12	green 緑	Red 赤	4700	Indoor A 庫内A	○
3. RS	C26	1375334	Return air temp. sensor	吸込空気温度センサー	3PA61769-13	ST9503-13	Blue 青	- -	6700	Indoor B 庫内B	○
4. DRS	C27	1375341	Data recorder return air temp. sensor	データレコーダ吸込空気温度センサー	3PA61769-14	ST9503-14	Blue 青	Red 赤	6700	Indoor B 庫内B	○
5. EIS	D4	156282J	Evaporator inlet temp. sensor	蒸発器入口温度センサー	3P012118-2	ST9703-2	Brown 茶	-	2500	Indoor EVP. 庫内蒸発器	
6. EOS	D5	156283J	Evaporator outlet temp. sensor	蒸発器出口温度センサー	3PA61769-15	ST9503-15	Yellow 黄	- -	2600	Indoor EVP. 庫内蒸発器	○
7. DCHS	B11	098332J	Discharge pipe temp. sensor	吐出管温度センサー	3SA48009-10	ST9701-10	-	-	2800	Outdoor 庫外	
8. AMBS	B12	0798321	Ambient air temp. sensor	外気温度センサー	3PA61769-6	ST9503-6	- -	- -	2600	Outdoor 庫外	○
9. SGS	B13	0983338	Compressor suction gas temp. sensor	圧縮機吸入ガス温度センサー	3PA61769-9	ST9503-9	White 白	- -	2900	Outdoor 庫外	○

1. Tools for emergency operation

1. 緊急運転用工具

NO. 符号	PARTS NO. 部品番号	PARTS NAME	部品名称	DWG NO. 図面番号	USE 用途	ILLUSTRATION 姿図
-	1080263	Emergency coil cap	エマージェンシー コイルキャップ	3P017370-1	For electronic expansion valve 電子膨張弁用	
-	1270530	Emergency magnet	エマージェンシー マグネット	2P078385-2	Suction modulating valve 吸入比例弁用	

(See Service Manual for application.)

(使用方法はサービスマニュアルを参照ください。)

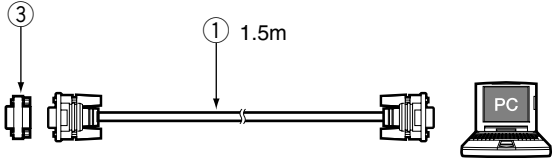
2. Personal computer cable (for DCCS)

2. パソコンケーブル（DCCS用）

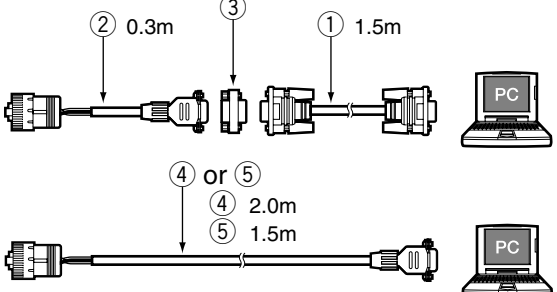
The following parts are connector cables required to exchange information between the refrigeration unit and personal computer. The table below describes parts required to apply to Model LXE-C, -D, and -E new model.

下記の部品は冷凍ユニットとパソコンの情報交換に必要なコネクタ、ケーブル類です。LXE-C型、D型、及び新機種E型対応に必要な部品を掲載しています。

[TYPE A]タイプA

LXE10C LXE10CA LXE10D for MOL	LXE10C LXE10CA MOL用LXE10D	
(Receptacle) RS232C (Female) on the controller	(レセプタクル) RS232C (メス) コントローラー側	

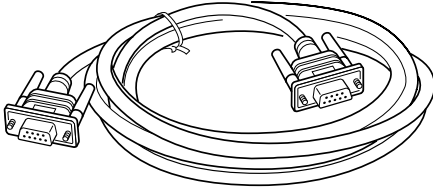
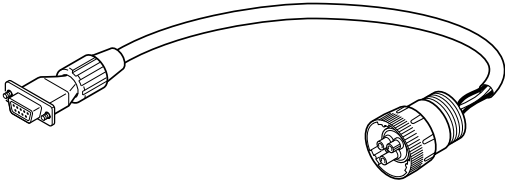
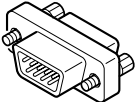
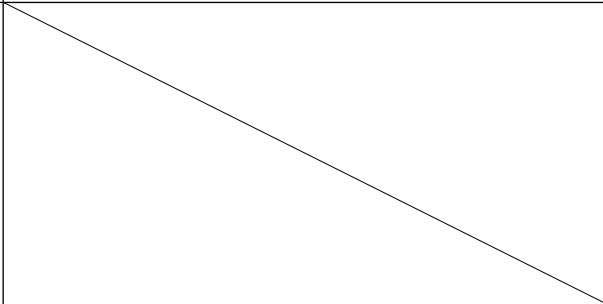
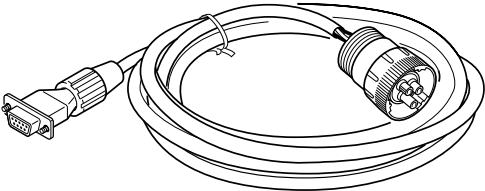
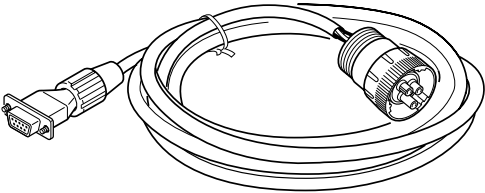
[TYPE B]タイプB

LXE10D LXE10E	LXE10D LXE10E	
(Receptacle) Water proof type on the unit	(レセプタクル) コンテナ冷凍機 ユニットの防水型	

(1) Parts No.

(1) 部品番号

NO. 符号	PARTS NO. 部品番号	PARTS NAME	部品名称	REMARKS 備考
①	Local supply 市販品	Connection cable (reverse)	接続ケーブル (リバース)	RS232C reverse (cross) type RS232Cリバース (クロス) 型
②	9993324	Connection cable	接続ケーブル	
③	Local supply 市販品	Adapter (gender changer)	アダプター (ジェンダーチェンジャー)	D-sub 9P, Male-Male Dサブ9ピン、オス-オス
④	1087149	Connection cable (3 Pins)	接続ケーブル (3ピン)	LXE10E-A For 3 pins LXE10E-A 3ピン用
⑤	1384509	Connection cable (5 Pins)	接続ケーブル (5ピン)	For LXE10E-A For 5 pins LXE10E-A 5ピン用

NO. 符号	Illustration 姿図	Internal Wiring 内部配線																														
①		<p>RS232C Female RS232C Female</p> <p>メス メス</p> <table border="0"> <tr><td>1</td><td>↔</td><td>1</td></tr> <tr><td>2</td><td>↔</td><td>2</td></tr> <tr><td>3</td><td>↔</td><td>3</td></tr> <tr><td>4</td><td>↔</td><td>4</td></tr> <tr><td>5</td><td>↔</td><td>5</td></tr> <tr><td>6</td><td>↔</td><td>6</td></tr> <tr><td>7</td><td>↔</td><td>7</td></tr> <tr><td>8</td><td>↔</td><td>8</td></tr> <tr><td>Frame</td><td></td><td>Frame</td></tr> <tr><td>フレーム</td><td></td><td>フレーム</td></tr> </table>	1	↔	1	2	↔	2	3	↔	3	4	↔	4	5	↔	5	6	↔	6	7	↔	7	8	↔	8	Frame		Frame	フレーム		フレーム
1	↔	1																														
2	↔	2																														
3	↔	3																														
4	↔	4																														
5	↔	5																														
6	↔	6																														
7	↔	7																														
8	↔	8																														
Frame		Frame																														
フレーム		フレーム																														
②		<p>Daikin made RS232C Female</p> <p>ダイキン製 メス</p> <table border="0"> <tr><td>A</td><td>Red</td><td>1</td></tr> <tr><td>B</td><td>White</td><td>2</td></tr> <tr><td>C</td><td>Black</td><td>3</td></tr> <tr><td></td><td></td><td>4</td></tr> <tr><td></td><td></td><td>5</td></tr> <tr><td></td><td></td><td>6</td></tr> <tr><td></td><td></td><td>7</td></tr> <tr><td></td><td></td><td>8</td></tr> <tr><td></td><td></td><td>9</td></tr> </table>	A	Red	1	B	White	2	C	Black	3			4			5			6			7			8			9			
A	Red	1																														
B	White	2																														
C	Black	3																														
		4																														
		5																														
		6																														
		7																														
		8																														
		9																														
③																																
④		<p>Daikin made RS232C Female</p> <p>ダイキン製 メス</p> <table border="0"> <tr><td>A</td><td>Red 赤</td><td>1</td></tr> <tr><td>B</td><td></td><td>2</td></tr> <tr><td>C</td><td>White 白</td><td>3</td></tr> <tr><td></td><td></td><td>4</td></tr> <tr><td></td><td>Black 黒</td><td>5</td></tr> <tr><td></td><td></td><td>6</td></tr> <tr><td></td><td></td><td>7</td></tr> <tr><td></td><td></td><td>8</td></tr> <tr><td></td><td></td><td>Frame</td></tr> <tr><td></td><td></td><td>フレーム</td></tr> </table>	A	Red 赤	1	B		2	C	White 白	3			4		Black 黒	5			6			7			8			Frame			フレーム
A	Red 赤	1																														
B		2																														
C	White 白	3																														
		4																														
	Black 黒	5																														
		6																														
		7																														
		8																														
		Frame																														
		フレーム																														
⑤		<p>Daikin made RS232C Female</p> <p>ダイキン製 メス</p> <table border="0"> <tr><td>A</td><td>Red 赤</td><td>1</td></tr> <tr><td>B</td><td></td><td>2</td></tr> <tr><td>C</td><td>White 白</td><td>3</td></tr> <tr><td>D</td><td></td><td>4</td></tr> <tr><td>E</td><td>Black 黒</td><td>5</td></tr> <tr><td></td><td></td><td>6</td></tr> <tr><td></td><td></td><td>7</td></tr> <tr><td></td><td></td><td>8</td></tr> <tr><td></td><td></td><td>Frame</td></tr> <tr><td></td><td></td><td>フレーム</td></tr> </table>	A	Red 赤	1	B		2	C	White 白	3	D		4	E	Black 黒	5			6			7			8			Frame			フレーム
A	Red 赤	1																														
B		2																														
C	White 白	3																														
D		4																														
E	Black 黒	5																														
		6																														
		7																														
		8																														
		Frame																														
		フレーム																														

<https://daikin-p.ru>

MEMO

<https://daikin-p.ru>

DAIKIN INDUSTRIES, LTD.

Head Office. Umeda Center Bldg., 4-12, Nakazaki-Nishi 2-chome, Kita-ku, Osaka, 530-8323 Japan.

Tel: 06-6373-4338

Fax: 06-6373-7297

Tokyo Office. JR Shinagawa East Bldg., 10F 18-1, Konan 2-chome, Minato-ku Tokyo, 108-0075 Japan.

Tel: 03-6716-0420

Fax: 03-6716-0230