

DAIKIN



ダイキン海上コンテナ冷凍装置

Marine type Container Refrigeration Unit

サービスガイド・パーツリスト

Service Manual · Parts List

オプション機能編 · Optional Functions

LXE10E-A9

LXE10E-A9R

ダイキン工業株式会社
DAIKIN INDUSTRIES, LTD.

Covered Models

Regarding the features and operation of the unit, the service guide describes the items which are different from the service manual TR01-09A.

NO.	Item	Different points from service manual (Maintenance and Repair)
1	Tightening lever for control box cover	Quick-lock lever type
2☆	Character setting operation	Refer to the details in the following pages.
3☆	Cable clamp bracket	Provided.
4	Communication MODEM	Provided.

For the ☆ marked items, refer to the details in the following pages.

Modified Unit LXE10E-A9R

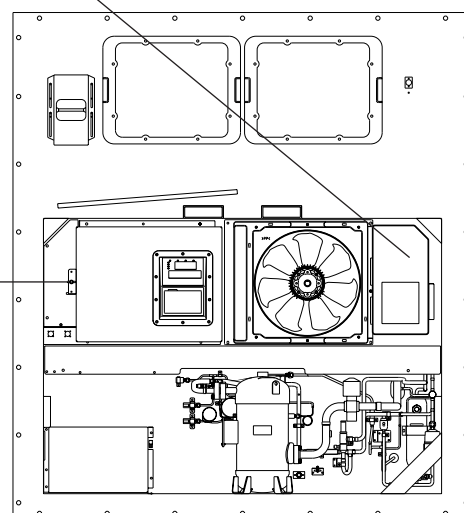
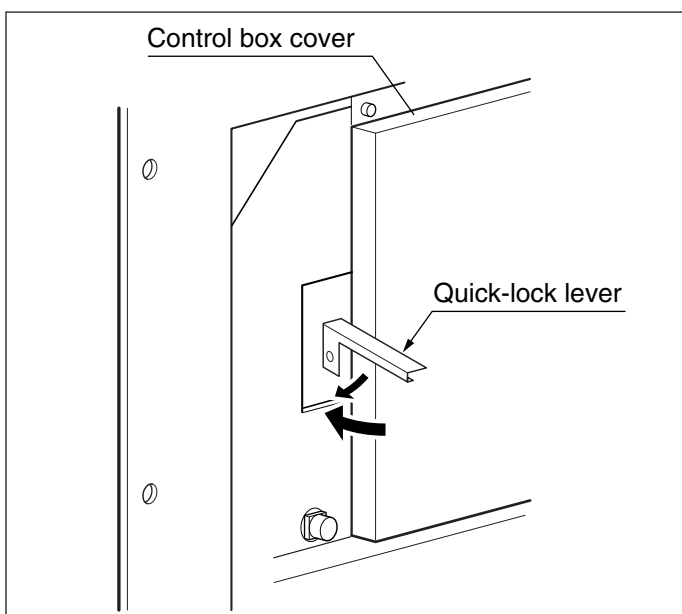
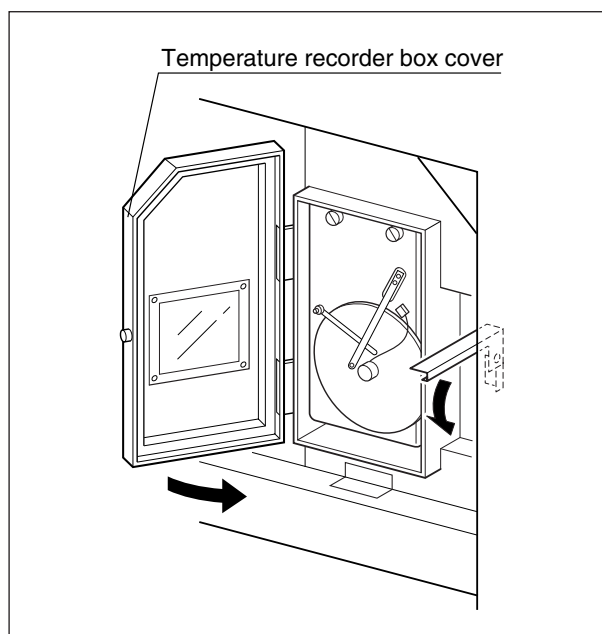
"LXE10E-A9" is described on the nameplate as the model name of this modified unit, to which "R" is not attached.

The modification related to the TransFRESH is applied to LXE10E-A9R. Please refer to the following information for details.

⚠ CAUTION

Before starting the unit, run the generator.

Securely close the control box cover and the temperature recorder box cover (optional).
Otherwise, It will cause water entry.





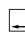
CONTENTS

1. G-SET Operation	4
2. Cable clamp bracket	4
3. Refrigerant piping diagram	5
4. Schematic wiring diagram (For LXE10E-A9)	7
5. Stereoscopic wiring diagram (For LXE10E-A9)	8
6. TransFRESH (For LXE-A9R only)	9
7. Schematic wiring diagram (For LXE10E-A9R)	11
8. Stereoscopic wiring diagram (For LXE10E-A9R)	12

1. G-SET Operation

Generator setting operation

① Press the G-SET key.

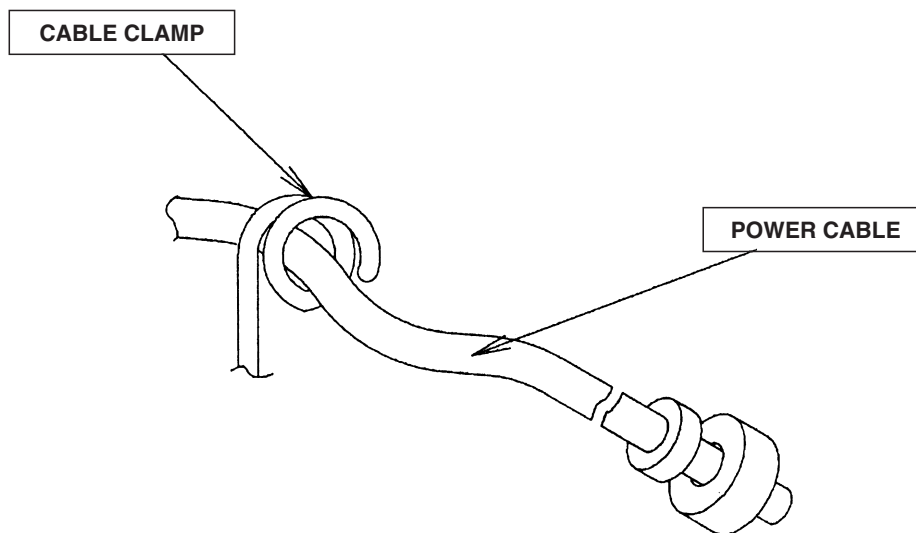
② Using  and , select "11", "12", "13", "14", "15" (KVA) or "OFF", and determine it with  key. The energy consumption reducing operation will be applied under the selected value.

* To reset Generator setting operation, set OFF in the above operation step ②.

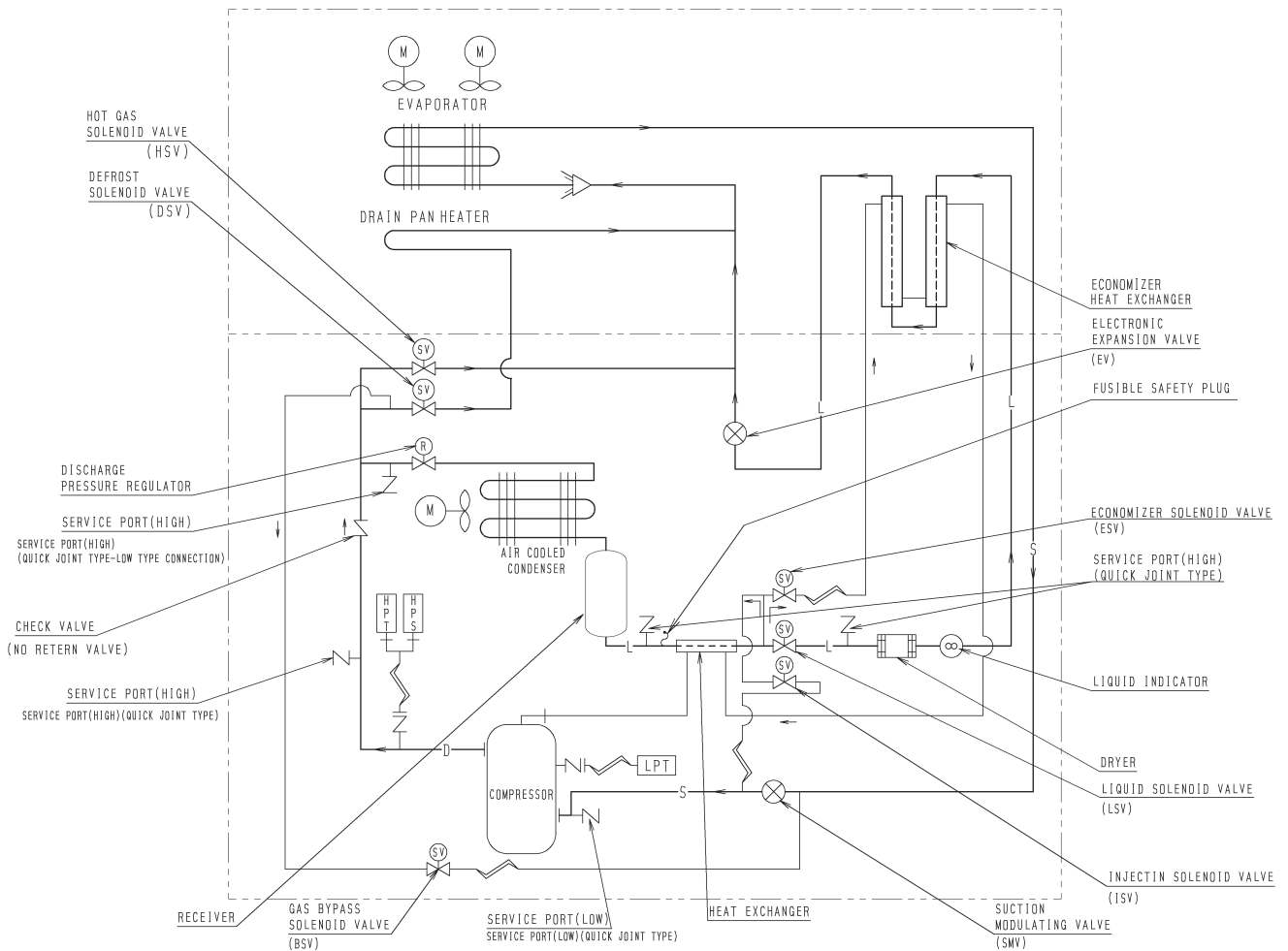
* When Generator setting operation is set, it will not be reset even if the power supply is turned off. (The setting is held.)

2. Cable clamp bracket

When it is operated on the trailer or railway chassis, be sure to fasten the power cable with cable clamp.



3. Refrigerant piping diagram



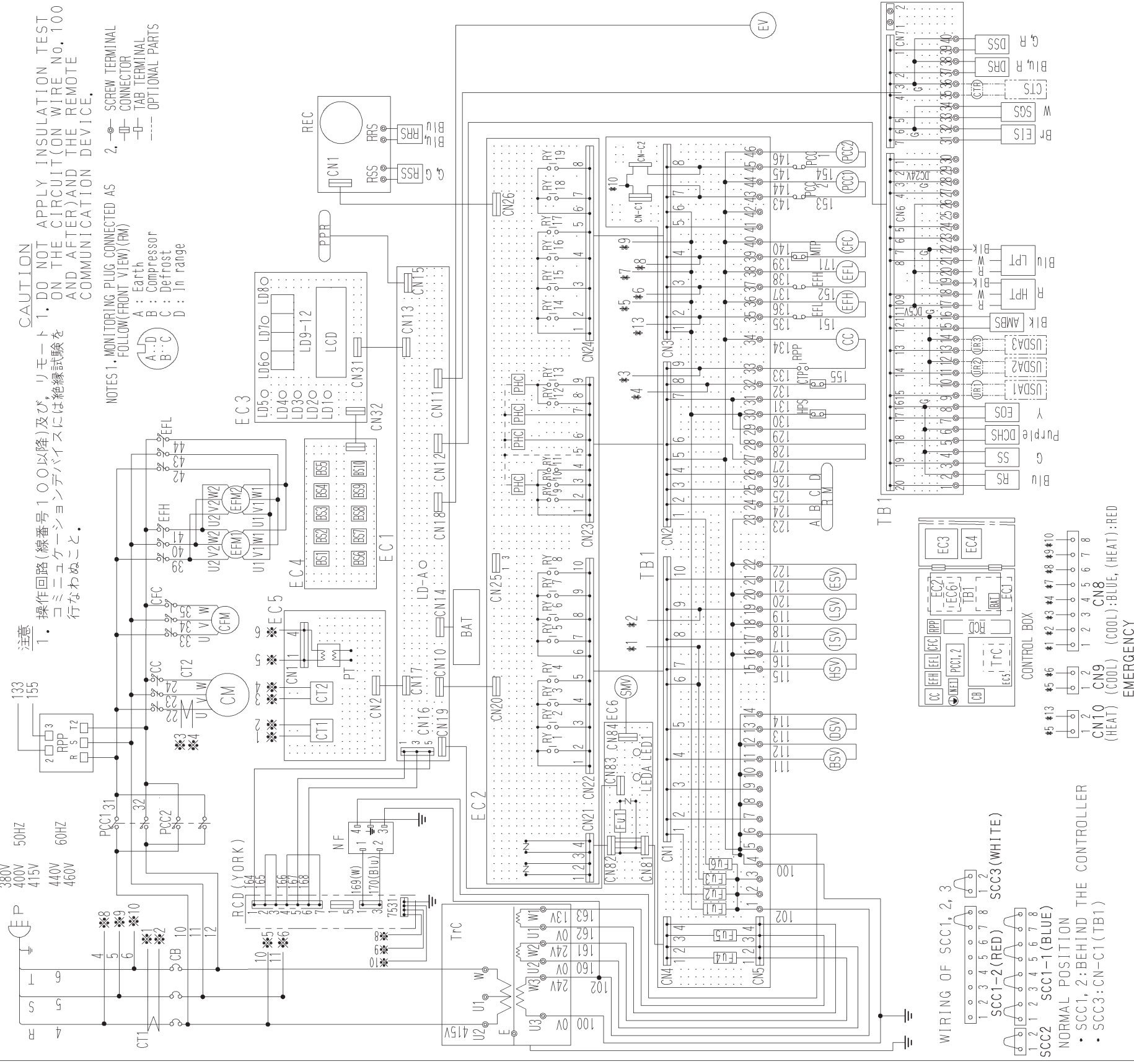
HPS	HIGH PRESSURE SWITCH
HPT	HIGH PRESSURE TRANSDUCER
LPT	LOW PRESSURE TRANSDUCER

—L—	LIQUID PIPE
—S—	SUCTION PIPE
—D—	DISCHARGE PIPE
—H—	FLANGE CONNECTION
—+—	FLARE CONNECTION
—∩—	CAPILLARY TUBE

<https://daikin-p.ru>

4. Schematic wiring diagram (For LXE10E-A9)

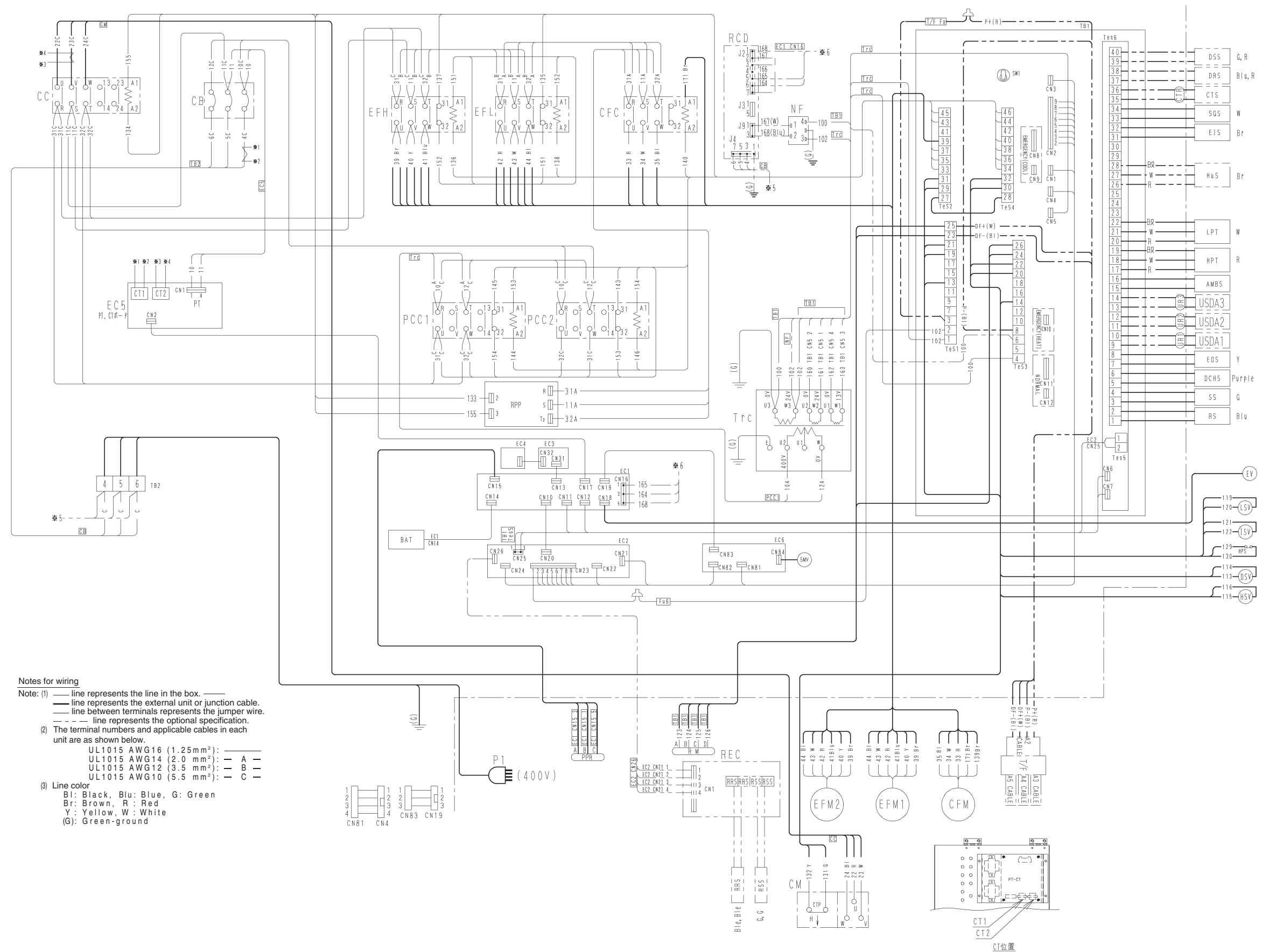
CONTAINER REFRIGERATION UNIT WIRING DIAGRAM



AMBS	AMBIENT TEMP. SENSOR	EFL	LOW SPEED EVAPORATOR FAN CONTACTOR	LD7	LIGHT-EMISSION DIODE (IN RANGE)	SGS	SUCTION GAS SENSOR
BAT	BATTERY	EFM1, 2	EVAPORATOR FAN MOTOR	LD8	LIGHT-EMISSION DIODE (DE-HUMID)	SMV	SUCTION MODULATING VALVE
BSV	GAS BYPASS SOLENOID VALVE	EIS	EVAPORATOR INLET SENSOR	LD9-12	LIGHT-EMISSION DIODE	SS	SUPPLY AIR SENSOR
BS1-10	PUSH BUTTON SWITCH	EOS	EVAPORATOR OUTLET SENSOR	LSV	LIQUID SOLENOID VALVE	TBI	TERMINAL BOARD
CB	CIRCUIT BREAKER (30A)	ESV	ECONOMIZER SOLENOID VALVE	LPT	LOW PRESSURE TRANSDUCER	TFC	CONTROL TRANSFORMER
CC	COMPRESSOR CONTACTOR	EV	ELECTRONIC EXPANSION VALVE	MTP	COND. MOTOR THERMAL PROTECTOR		
CFC	CONDENSER FAN CONTACTOR	Fu1-6	FUSE (250V, 10A) (TB1)	NF	NOISE FILTER		
CFM	CONDENSER FAN MOTOR	Fu1	FUSE (250V, 5A) (EC6)	P	POWER PLUG		
CM	COMPRESSOR MOTOR	HPS	HIGH PRESSURE SWITCH	PCC1, 2	PHASE CORRECTION CONTACTOR	RCD	REMOTE COMMUNICATION DEVICE (YORK)
CTP	COMPRESSOR THERMAL PROTECTOR	HPT	HOT GAS SOLENOID VALVE	PHC	PHOTO COUPLER	USDAT-3	USDA SENSOR
DCHS	COMPRESSOR DISCHARGE SENSOR	HSV	HOT GAS SOLENOID VALVE	PPR	PC PORT RECEPTACLE	URT-3	USDA RECEPTACLE
DRS	DATA RECORDER RETURN AIR SENSOR	ISV	INJECTION SOLENOID VALVE	PT	POTENTIAL TRANSFORMER	CTS	CARGO TEMP. SENSOR
DSS	DATA RECORDER SUPPLY AIR SENSOR	LCD	LIQUID CRYSTAL DISPLAY	REC	RECORDER	CTR	CARGO TEMP. RECEPTACLE
DVS	DEFROST SOLENOID VALVE	LED-A	SERVICE MONITOR-GREEN (EC1)	RM	REMOTE MONITORING RECEPTACLE		
EC1	CPU BOARD (DECOS)	LED1	LIGHT-EMISSION DIODE (EC6)	RPP	REVERSE PHASE PROTECTOR		
EC2	I/O BOARD (DECOS)	LD1	LIGHT-EMISSION DIODE (R, H.)	RRS	RECORDER RETURN AIR SENSOR		
EC3	DISPLAY BOARD (DECOS)	LD2	LIGHT-EMISSION DIODE (ALARM)	RS	RECORDER SUPPLY AIR SENSOR		
EC4	SHEET KEY (DECOS)	LD3	LIGHT-EMISSION DIODE (RETURN)	RY1-19	RELAY		
EC5	PRINTED CIRCUIT BOARD (PT, CT)	LD4	LIGHT-EMISSION DIODE (SUPPLY)	SCC1-1, -2	SHORT CIRCUIT CONNECTOR		
EC6	ADAPTER BOARD	LD5	LIGHT-EMISSION DIODE (COMP)	SCC2	SHORT CIRCUIT CONNECTOR		
EFL	HIGH SPEED EVAPORATOR FAN CONTACTOR	LD6	LIGHT-EMISSION DIODE (DEFROST)	SCC3	SHORT CIRCUIT CONNECTOR		

2 D 0 3 5 0 7 0 - 1 B
 LXE10E-A8, A9, A19

5. Stereoscopic wiring diagram (For LXE10E-A9)



Notes for wiring

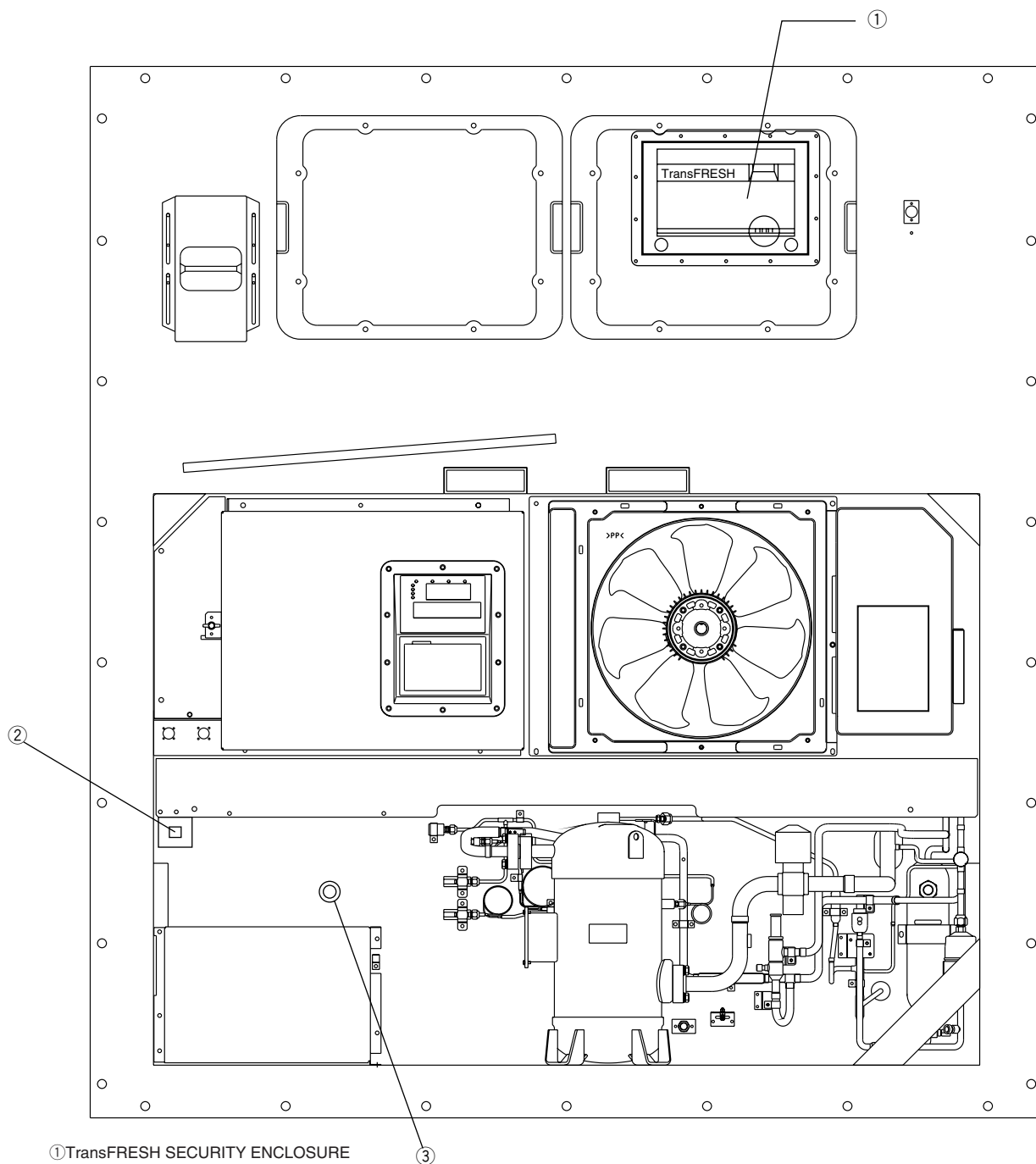
- Note: (1) — line represents the line in the box.
 — line represents the external unit or junction cable.
 — line between terminals represents the jumper wire.
 - - - line represents the optional specification.
- (2) The terminal numbers and applicable cables in each unit are as shown below.
- | | | |
|--------------------------------------|---|-----|
| UL1015 AWG16 (1.25mm ²): | — | A — |
| UL1015 AWG14 (2.0 mm ²): | — | B — |
| UL1015 AWG12 (3.5 mm ²): | — | C — |
| UL1015 AWG10 (5.5 mm ²): | — | C — |
- (3) Line color
- | | | | | | |
|------|--------------|------|-------|----|-------|
| Bl: | Black, | Blu: | Blue, | G: | Green |
| Br: | Brown, | R: | Red | | |
| Y: | Yellow, | W: | White | | |
| (G): | Green-ground | | | | |

6. TransFRESH (For LXE10E-A9R)

Attachment for the TransFRESH CA devices are provided to control the internal atmosphere (quantity of O₂ and CO₂).

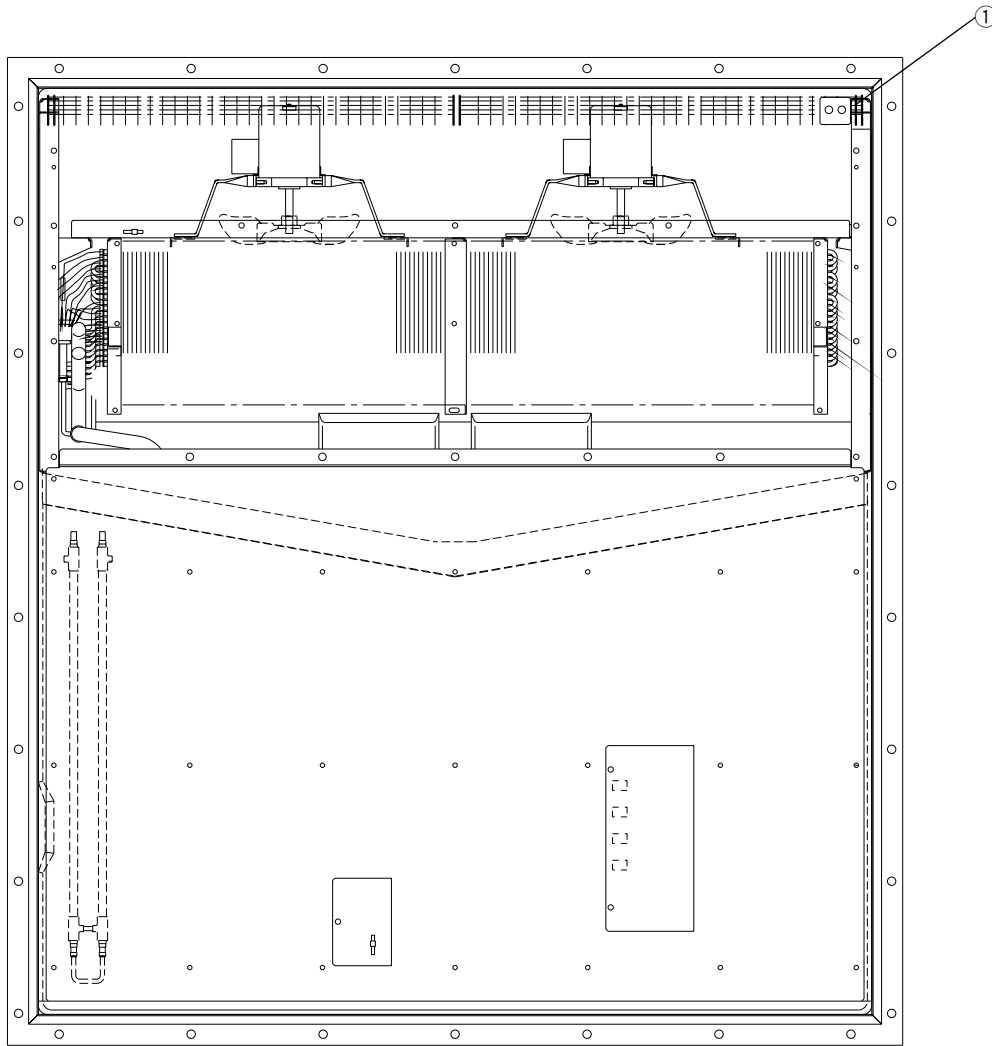
Use the CA devices according to the Operation Manual supplied by TransFRESH. The controller and sensor included in the CA devices are installed by the TransFRESH's agents before each transportation.

- An example of installation of CA devices, outside.



- ① TransFRESH SECURITY ENCLOSURE
- ② TransFRESH COMMUNICATION BRACKET
- ③ TransFRESH Single purge port

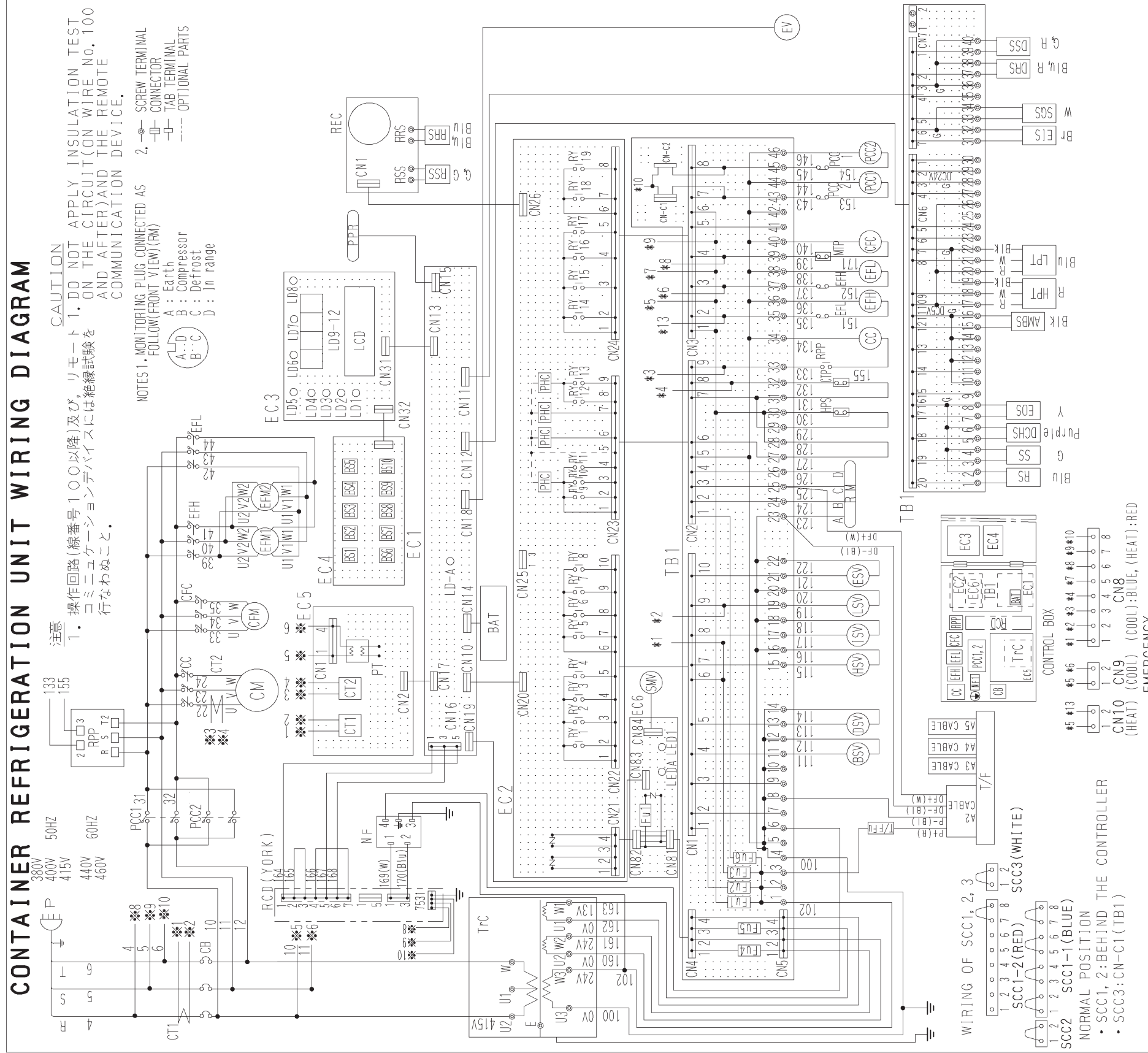
●An example of installation of CA devices, inside



① TransFRESH ASS'Y A4&A5 CABLES W/MOUNTING BOX

7. Schematic wiring diagram (For LXE10E-A9R)

CONTAINER REFRIGERATION UNIT WIRING DIAGRAM

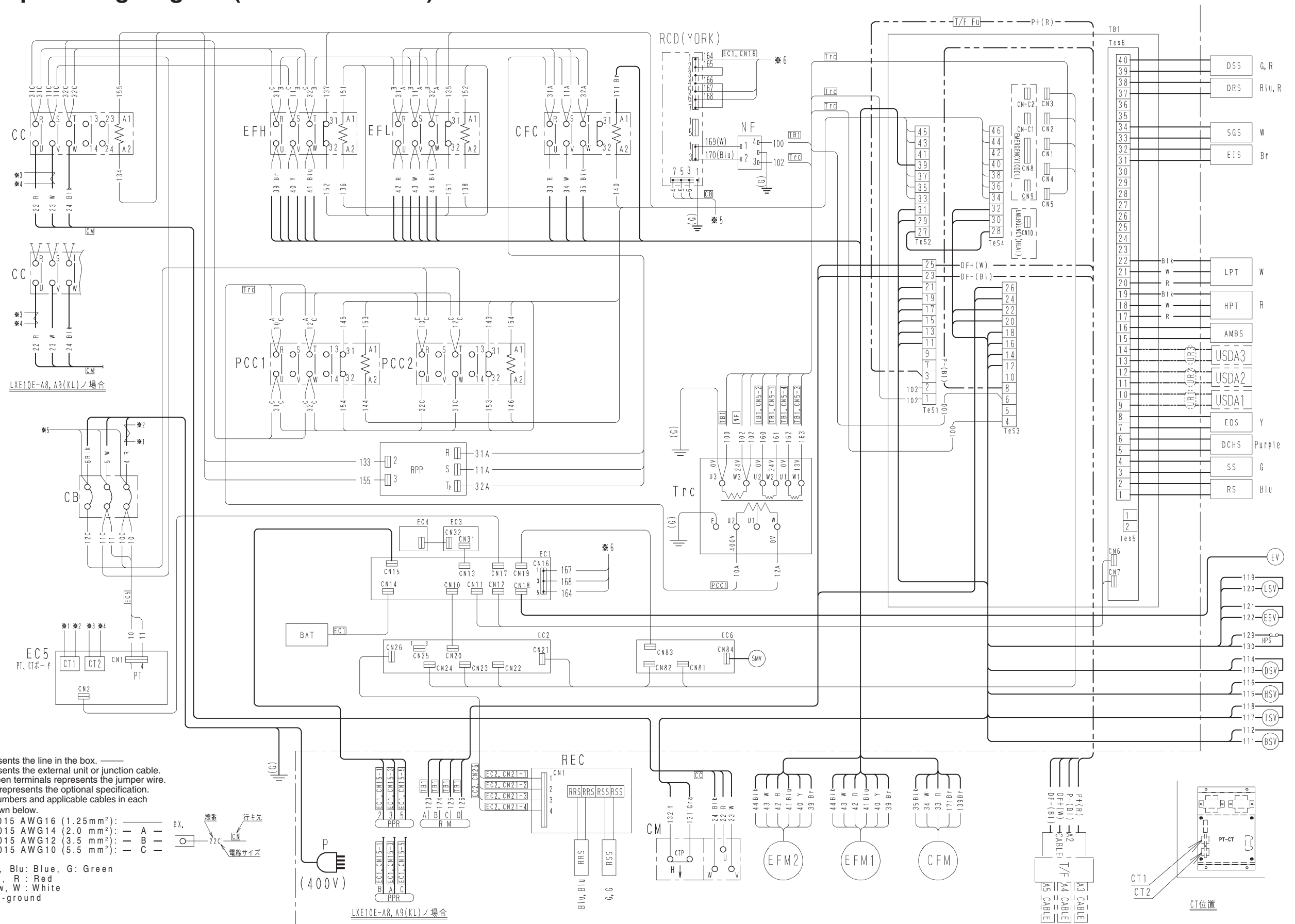


Component	Terminal	Component	Terminal	Component	Terminal
AMBS	AMBS	EFL	LD7	SGS	SUCTION GAS SENSOR
BAT	BAT	EFM1, 2	LD8	SMV	SUCTION MODULATING VALVE
BSV	BSV	EIS	LD9-12	SS	SUPPLY AIR SENSOR
BS1-10	BS1-10	EOS	LSV	TB1	TERMINAL BOARD
CB	CB	ESV	LPT	TTC	CONTROL TRANSFORMER
CC	CC	EV	MTP		
CFC	CFC	Fu1-6	NF		
CFM	CFM	Fu1	P		
CT1, 2	CT1, 2	HPS	PCC1, 2		
CTP	CTP	HPT	PHC		
DGHS	DGHS	HSV	PPR		
DSS	DSS	TSV	PT		
DSV	DSV	LED	REC		
EC1	EC1	LED1	RM		
EC2	EC2	LD1	RPP		
EC3	EC3	LD2	RRS		
EC4	EC4	LD3	RS		
EC5	EC5	LD4	RVT-19		
EC6	EC6	LD5	SCC1-1, -2		
EFH	EFH	LD6	SCC2		
			SCC3		

LXE10E-A9R

2 V A 1 4 3 1 6 - 1

8. Stereoscopic wiring diagram (For LXE10E-A9R)



Notes for wiring

- Note: (1) — line represents the line in the box.
 — line represents the external unit or junction cable.
 — line between terminals represents the jumper wire.
 - - - line represents the optional specification.
- (2) The terminal numbers and applicable cables in each unit are as shown below.
- | | | |
|--------------------------------------|---|---|
| UL1015 AWG16 (1.25mm ²): | — | A |
| UL1015 AWG14 (2.0 mm ²): | — | B |
| UL1015 AWG12 (3.5 mm ²): | — | C |
| UL1015 AWG10 (5.5 mm ²): | — | C |
- (3) Line color
 Bl: Black, Blu: Blue, G: Green
 Br: Brown, R: Red
 Y: Yellow, W: White
 (G): Green-ground

掲載機種

このサービスガイドは本ユニットの特長及び取扱いについてサービスガイド（サービス編TR01-08A）と異なる事項のみ掲載しております。

NO.	項 目	サービスガイド（サービス編）と異なる点
1	コントロールボックス蓋締め付け	ワンタッチレバータイプ
2☆	ジーセット運転	次ページ以降の詳細説明を参照下さい
3☆	ケーブルクランプ金具	装備しています
4	通信モデム	装備しています

☆印の項目については次ページ以降に詳細説明を掲載しています。

改造機 LXE10E-A9Rについて

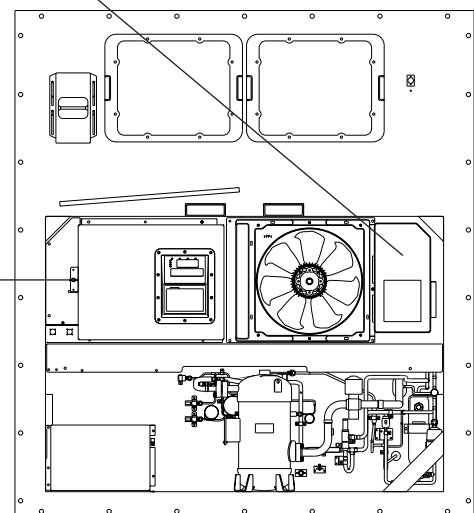
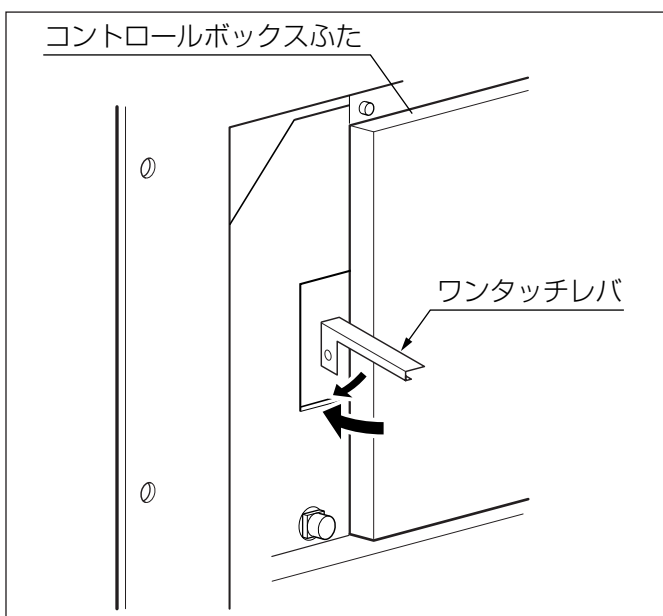
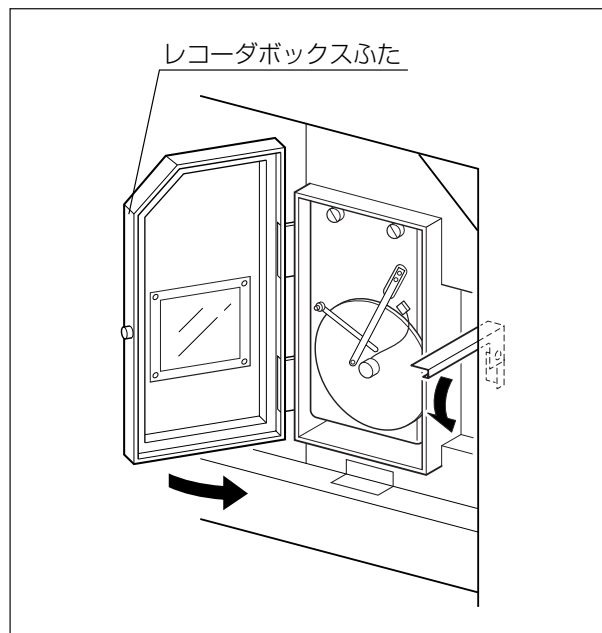
改造機の銘板には“LXE10E-A9”と記載されており、“R”は表示されていません。

今回の改造内容はLXE10E-A9R TransFRESH関連が追加されています。

⚠ 注意

ユニット始動の前に、発電機を運転すること。

コントロールボックスおよびレコーダボックス（オプション）のふたは、確実に締め付けること。
水の浸入を防止するためです。



目 次

1. ジーセット運転	16
2. ケーブルクランプ金具	16
3. 冷媒配管系統図	17
4. シーケンス (LXE10E-A9)	19
5. 実体配線図 (LXE10E-A9)	20
6. TransFRESH (LXE10E-A9Rのみ対象)	21
7. シーケンス (LXE10E-A9R)	23
8. 実体配線図 (LXE10E-A9R)	24

1. ジーセット運転

ジーセット運転

①ジーセットキーを押します。

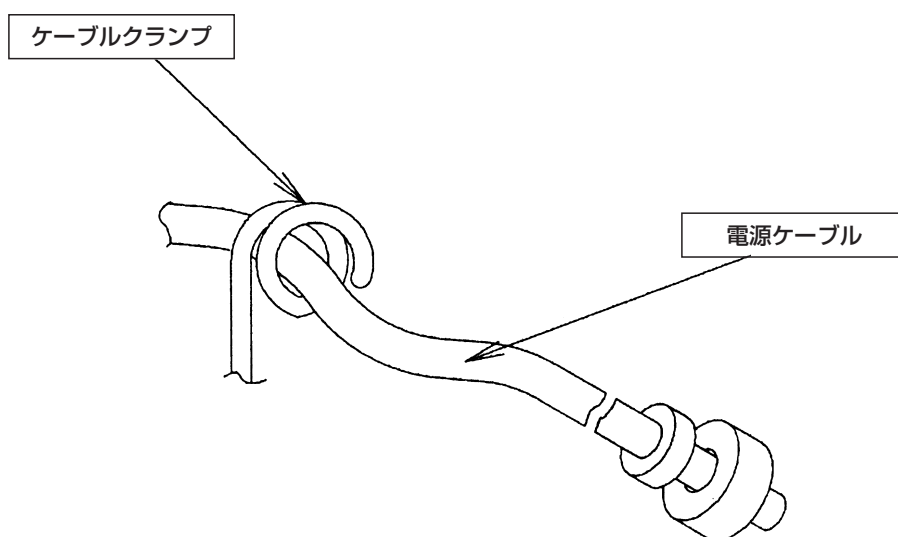
②キー・キーでLED画面の"11", "12", "13", "14", "15"(KVA),"OFF"を選択し、キーで確定します。選択された値以下で消費電力低減運転を行います。

※ジーセット運転を解除するには、上記操作②でOFFに設定します。

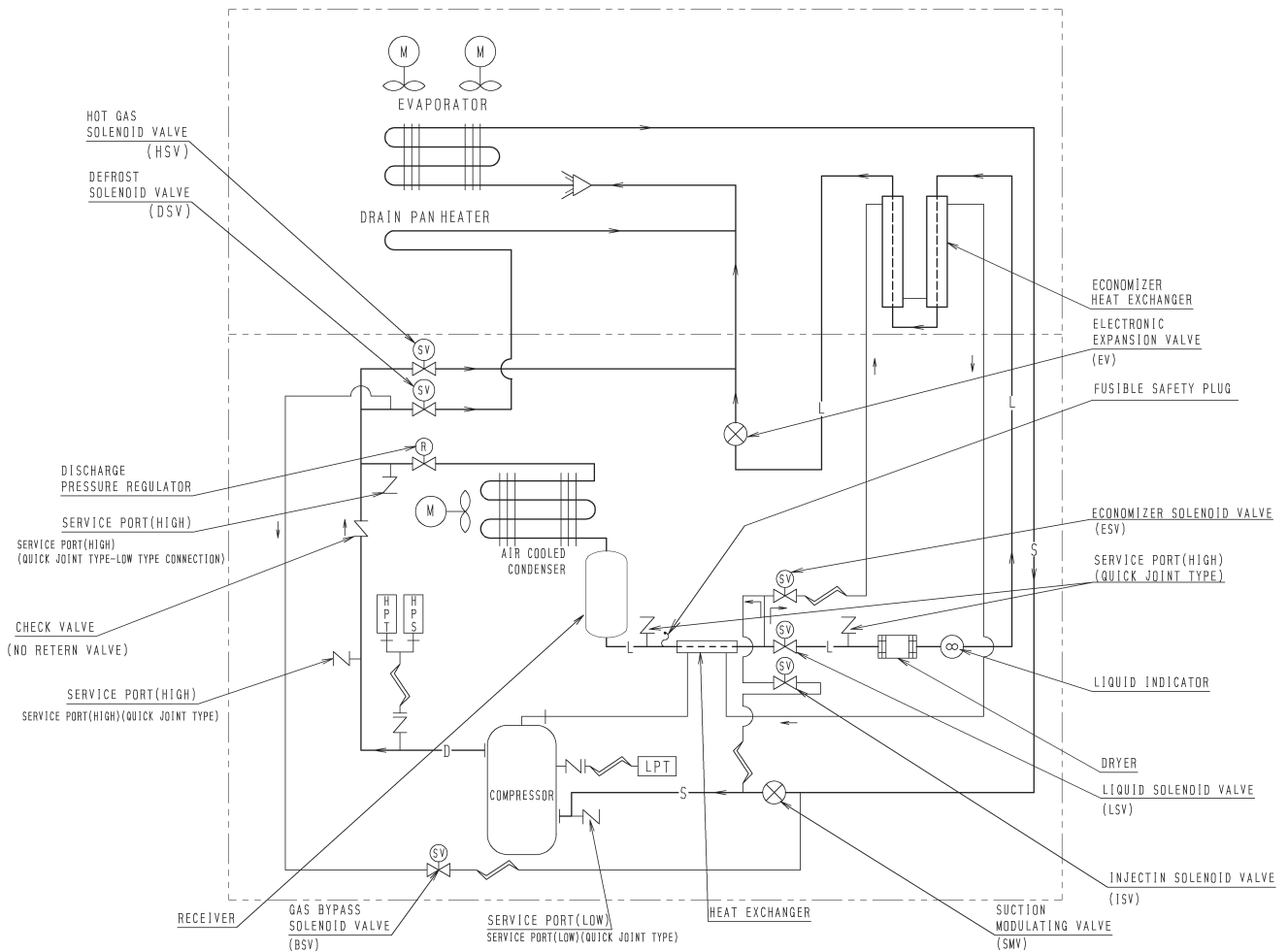
※ジーセット運転を設定すると電源を切ってもジーセット運転を自動的に解除しません。(設定を保持します。)

2. ケーブルクランプ金具

トレーラ、鉄道シャーシ上で運転する場合は、必ずケーブルクランプで電源ケーブルを固定して下さい。



3. 冷媒配管系統圖



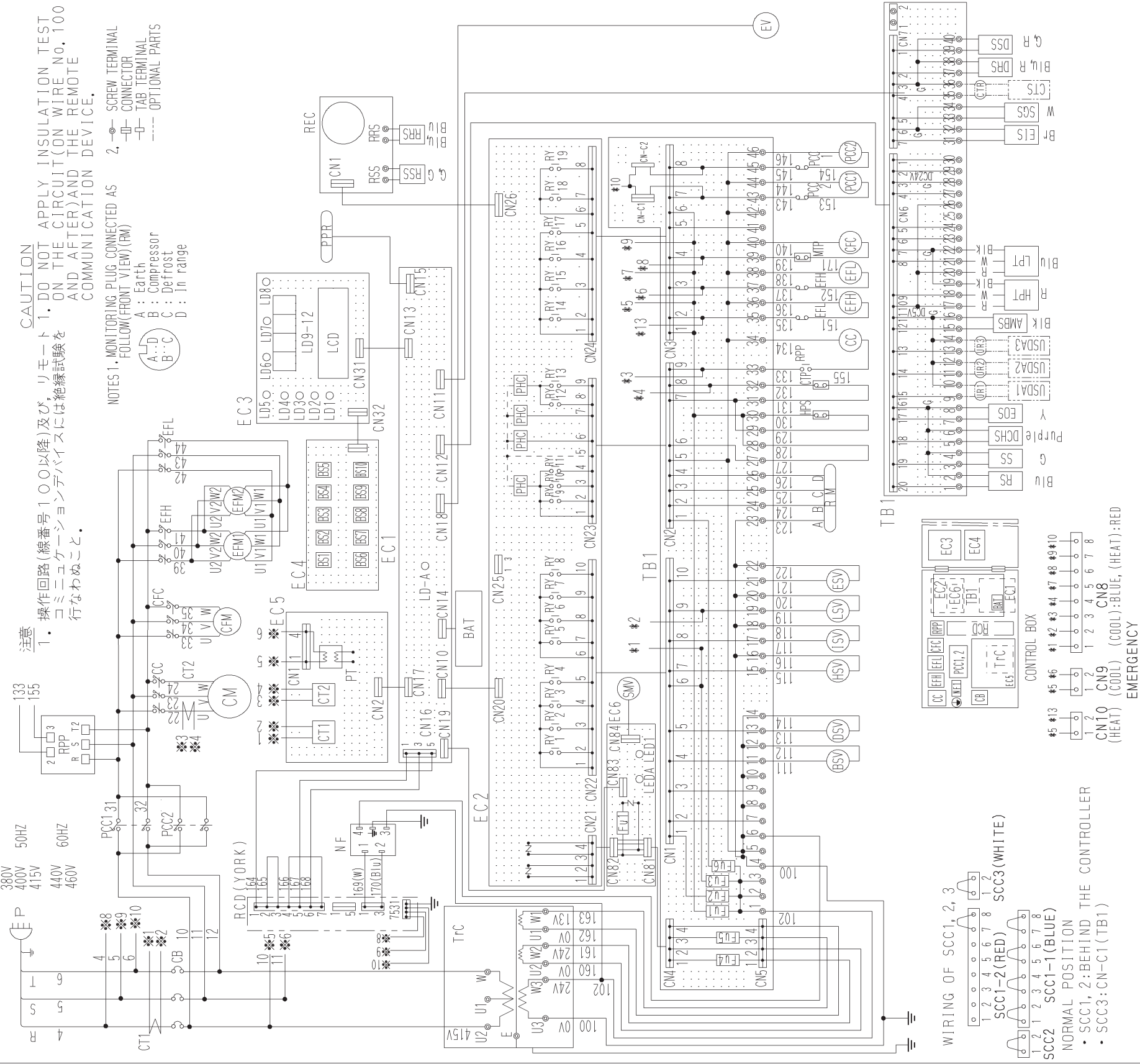
HPS	HIGH PRESSURE SWITCH
HPT	HIGH PRESSURE TRANSDUCER
LPT	LOW PRESSURE TRANSDUCER

— L —	LIQUID PIPE
— S —	SUCTION PIPE
— D —	DISCHARGE PIPE
— H —	FLANGE CONNECTION
— + —	FLARE CONNECTION
— W —	CAPILLARY TUBE

<https://daikin-p.ru>

4. シーケンス (LXE10E-A9)

CONTAINER REFRIGERATION UNIT WIRING DIAGRAM

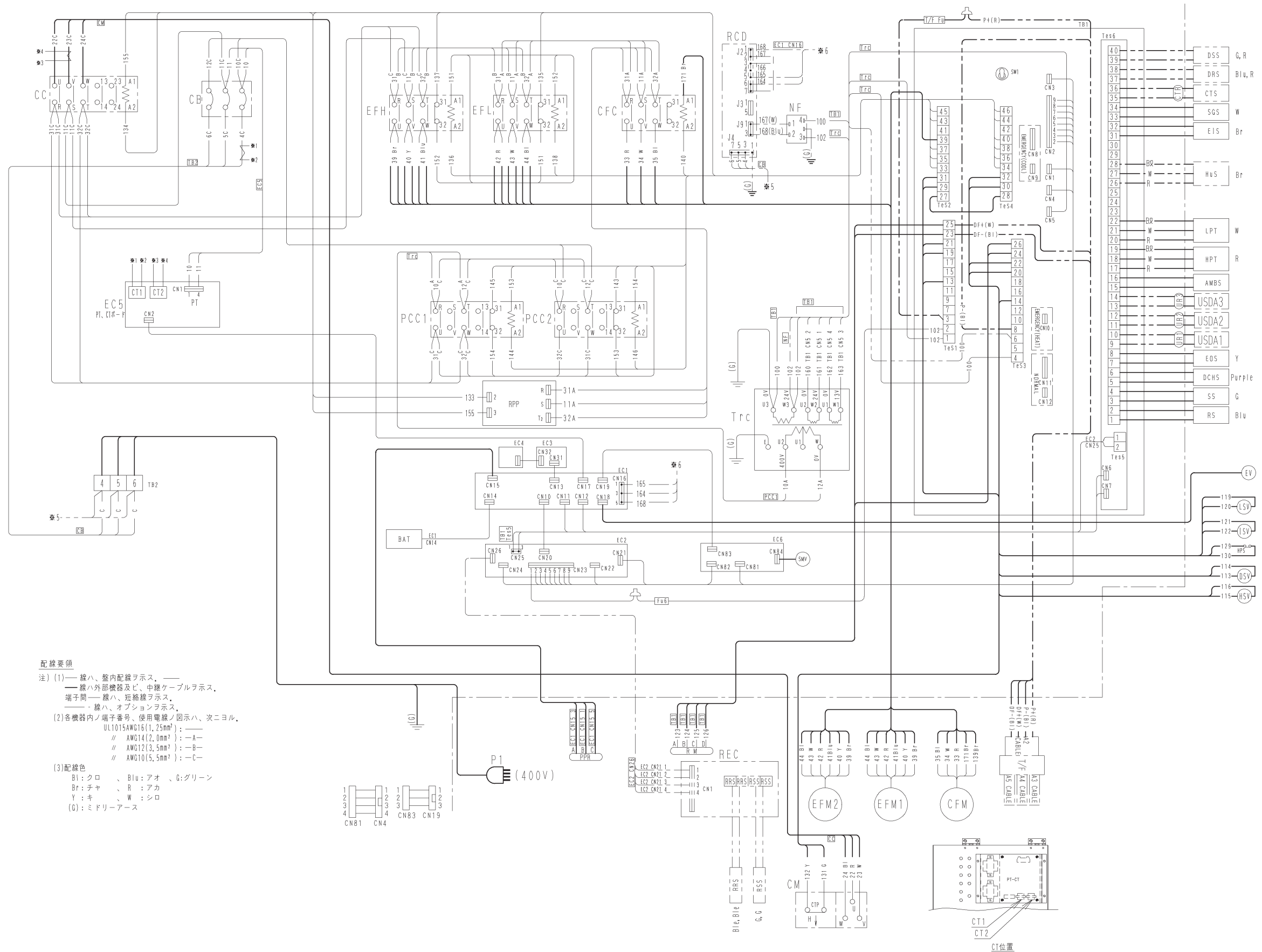


AMBS	AMBIENT TEMP. SENSOR	EFL	LOW SPEED EVAPORATOR FAN CONTACTOR	LD7	LIGHT-EMISSION DIODE (IN RANGE)	SGS	SUCTION GAS SENSOR
BAT	BATTERY	EFM1, 2	EVAPORATOR FAN MOTOR	LD8	LIGHT-EMISSION DIODE (DE-HUMID)	SMW	SUCTION MODULATING VALVE
BSV	GAS BYPASS SOLENOID VALVE	EIS	EVAPORATOR INLET SENSOR	LD9-12	LIGHT-EMISSION DIODE	SS	SUPPLY AIR SENSOR
BS1-10	PUSH BUTTON SWITCH	EOS	EVAPORATOR OUTLET SENSOR	LSV	LIQUID SOLENOID VALVE	TBI	TERMINAL BOARD
CB	CIRCUIT BREAKER (30A)	ESV	ECONOMIZER SOLENOID VALVE	LPT	LOW PRESSURE TRANSducer	TFC	CONTROL TRANSFORMER
CC	COMPRESSOR CONTACTOR	EV	ELECTRONIC EXPANSION VALVE	MTP	COND. MOTOR THERMAL PROTECTOR		
CFC	CONDENSER FAN CONTACTOR	FV1-6	FUSE (250V, 10A) (TB1)	NF	NOISE FILTER		
CFM	CONDENSER FAN MOTOR	FV1	FUSE (250V, 5A) (EC6)	P	POWER PLUG		
CM	COMPRESSOR MOTOR	HPS	HIGH PRESSURE SWITCH	PCC1, 2	PHASE CORRECTION CONTACTOR	RCD	REMOTE COMMUNICATION DEVICE (YORK)
CT1, 2	CURRENT TRANSFORMER	HPT	HIGH PRESSURE TRANSducer	PHC	PHOTO COUPLER	USDAT-3	USDA SENSOR
CTP	COMPRESSOR THERMAL PROTECTOR	HSV	HOT GAS SOLENOID VALVE	PPR	PC, PORT RECEPTACLE	URI-3	USIA RECEPTACLE
DCHS	COMPRESSOR DISCHARGE SENSOR	ISV	INJECTION SOLENOID VALVE	PT	POTENTIAL TRANSFORMER	CTS	CARGO TEMP. SENSOR
DPS	DATA RECORDER RETURN AIR SENSOR	LCD	LIQUID CRYSTAL DISPLAY	REC	RECORDER	CTR	CARGO TEMP. RECEPTACLE
DSS	DATA RECORDER SUPPLY AIR SENSOR	LD-A	SERVICE MONITOR-GREEN (EC1)	RM	REMOTE MONITORING RECEPTACLE		
DVS	DEFROST SOLENOID VALVE	LEDA	LED	RPP	REVERSE PHASE PROTECTOR		
EC1	CPU BOARD (DECOS)	LED1	LIGHT-EMISSION DIODE (EC6)	RRS	RECORDER RETURN AIR SENSOR		
EC2	I/O BOARD (DECOS)	LD1	LIGHT-EMISSION DIODE (R, H.)	RS	RETURN AIR SENSOR		
EC3	DISPLAY BOARD (DECOS)	LD2	LIGHT-EMISSION DIODE (ALARM)	RSS	RECORDER SUPPLY AIR SENSOR		
EC4	SHEET KEY (DECOS)	LD3	LIGHT-EMISSION DIODE (RETURN)	RY1-19	RELAY		
EC5	PRINTED CIRCUIT BOARD (PT, CT)	LD4	LIGHT-EMISSION DIODE (SUPPLY)	SCC1-1, -2	SHORT CIRCUIT CONNECTOR		
EC6	ADAPTER BOARD	LD5	LIGHT-EMISSION DIODE (COMP)	SCC2	SHORT CIRCUIT CONNECTOR		
EFL	HIGH SPEED EVAPORATOR FAN CONTACTOR	LD6	LIGHT-EMISSION DIODE (DEFROST)	SCC3	SHORT CIRCUIT CONNECTOR		

2 D 0 3 5 0 7 0 - 1 B

LXE10E-A8, A9, A19

5. 実体配線図 (LXE10E-A9)

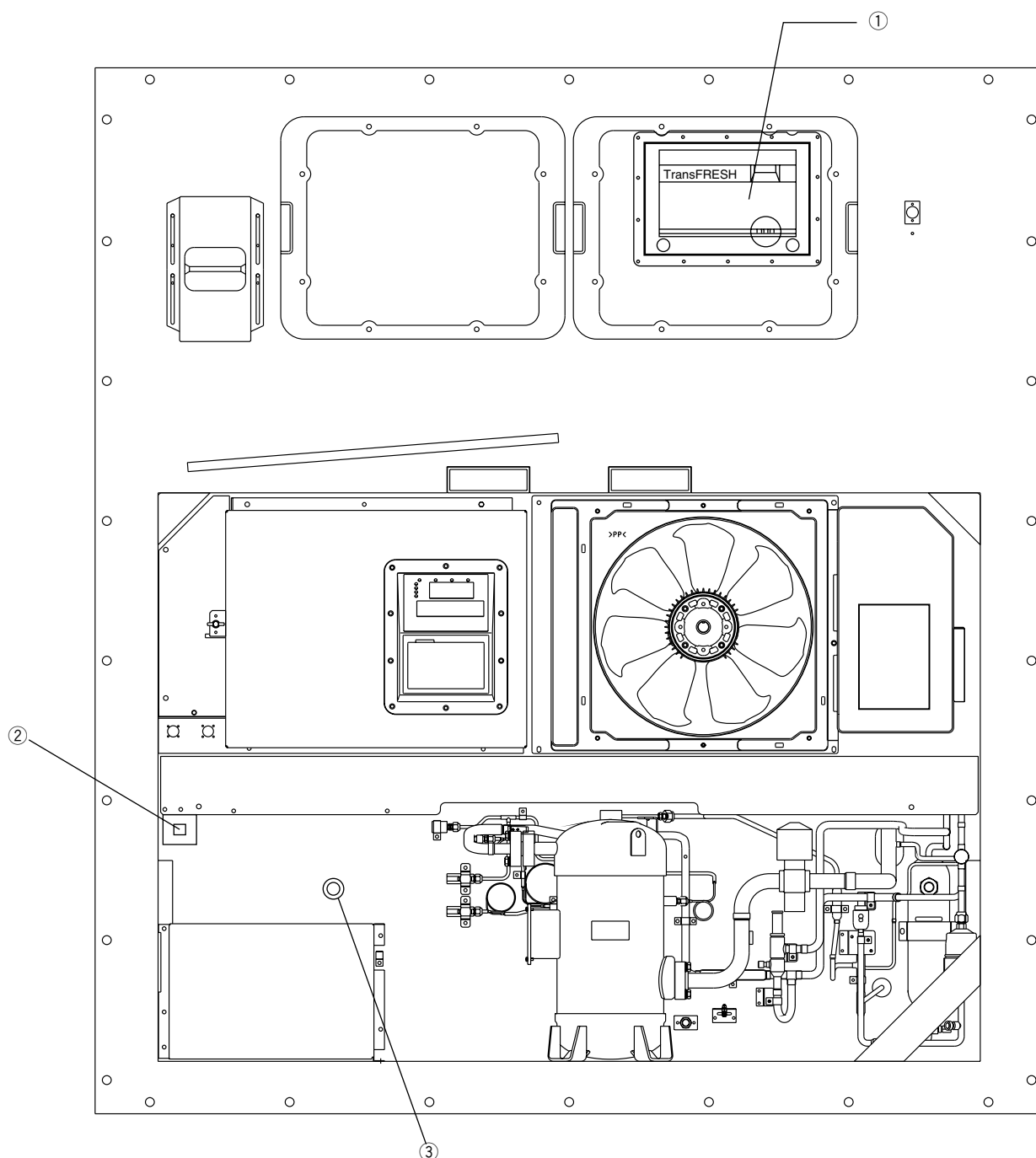


6. TransFRESH (LXE10E-A9Rのみ)

庫内雰囲気（O₂量、CO₂量）の制御を行うため、TransFRESH社のCA装置用アタッチメントが取付いています。

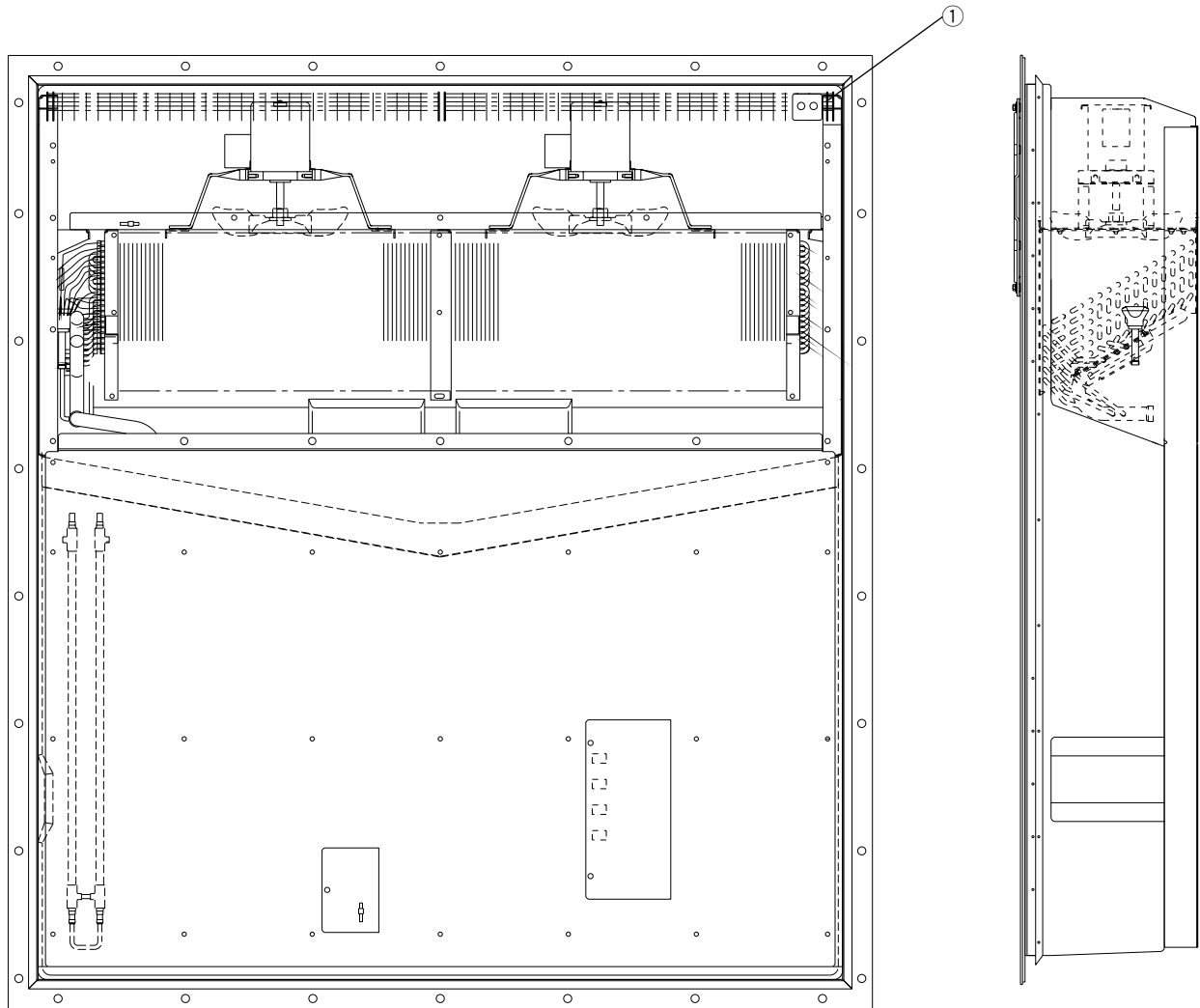
CA装置の取扱いについては、TransFRESH社のマニュアルに従ってください。また、CA装置のコントローラ、センサ等は、各輸送の度に、TransFRESH社のエージェントにより取付けられます。

●CA装置取付位置例・庫外側



- ① Trans FRESH SECURITY ENCLOSER
- ② Trans FRESH COMMUNICATION BRACKET
- ③ Trans FRESH SINGLE PURGE PORT

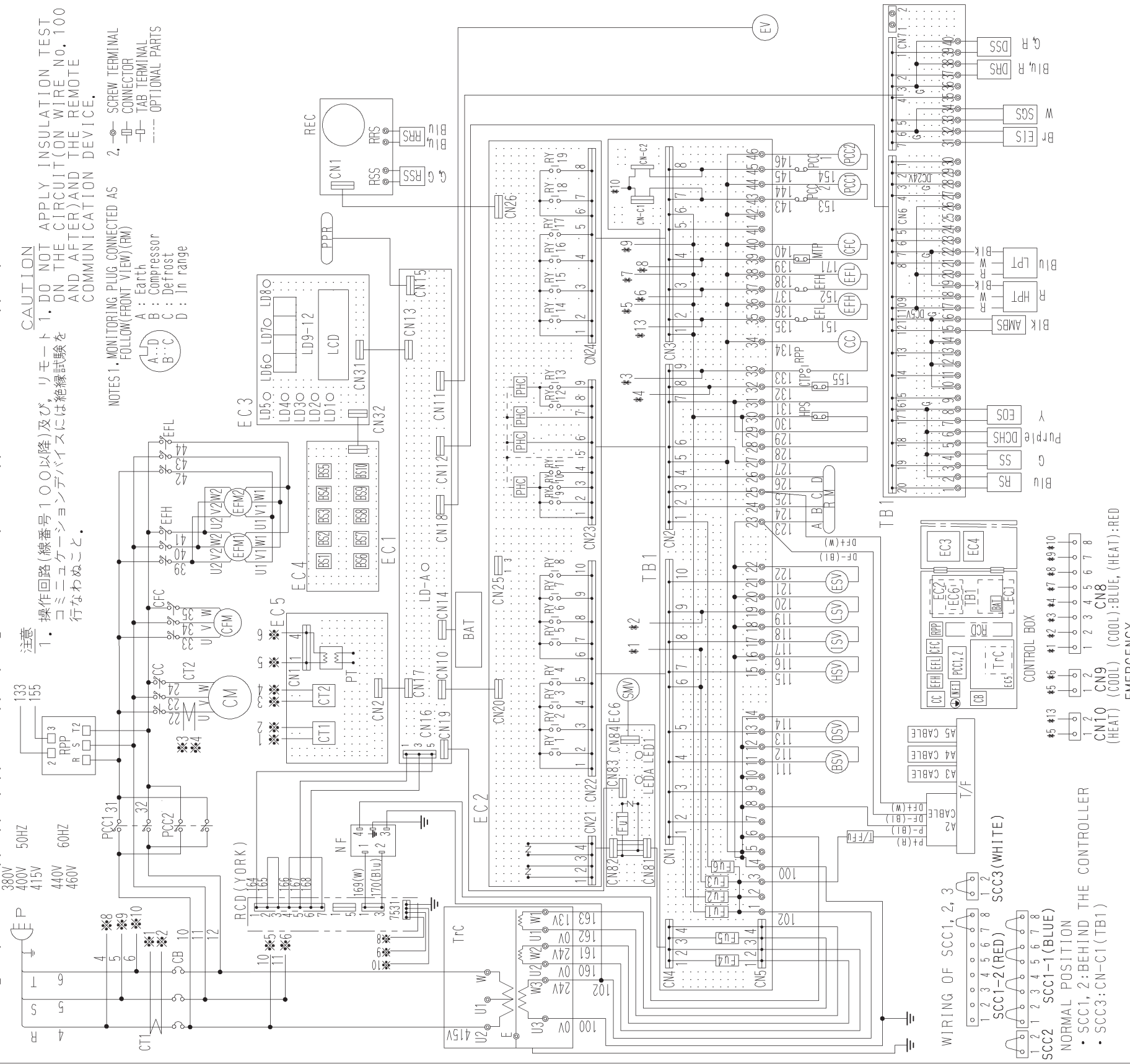
●CA装置取付位置例・庫内側



① Trans FRESH ASS'Y A4&A5 CABLES W/MOUNTING BOX

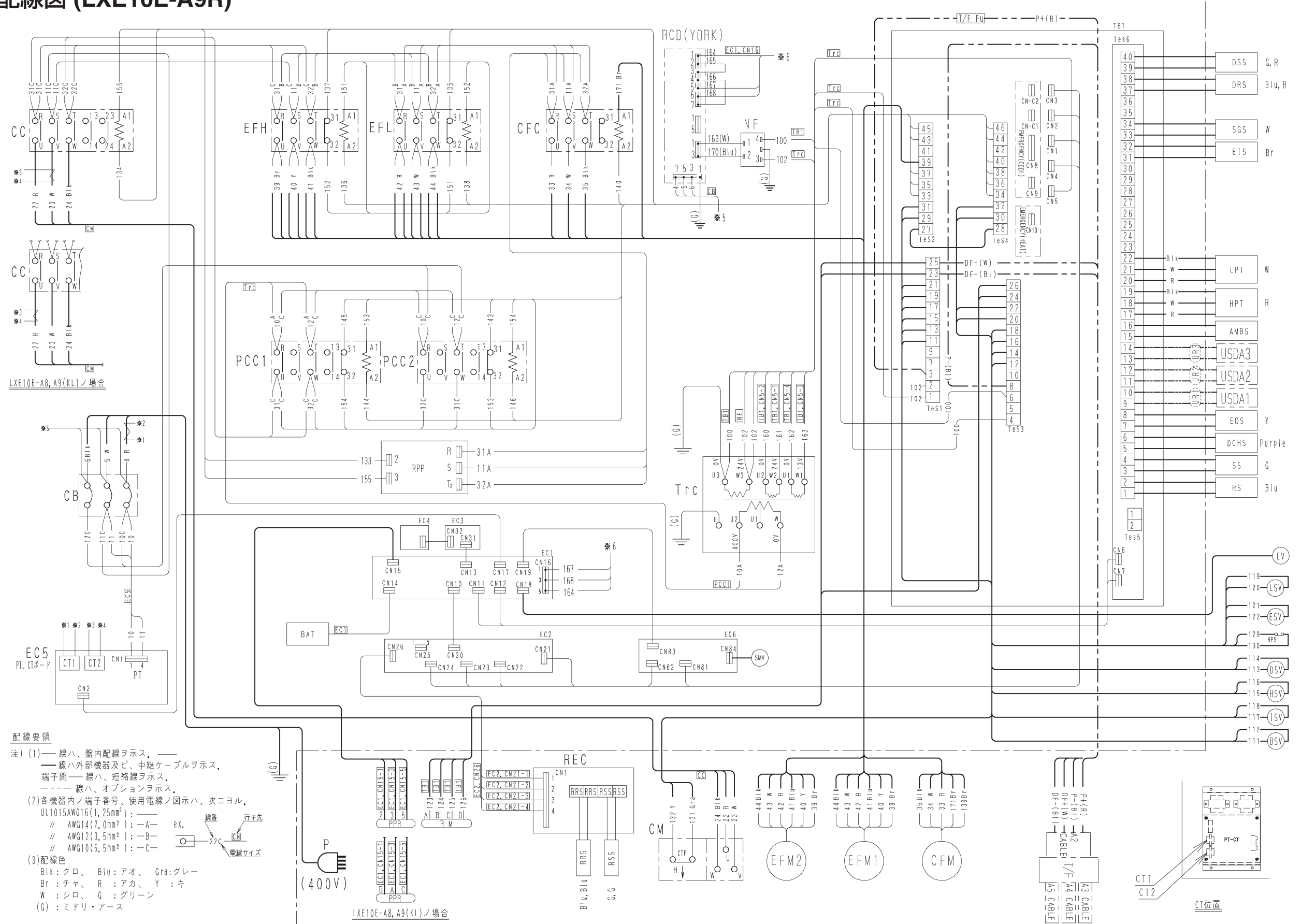
7. シーケンス (LXE10E-A9R)

CONTAINER REFRIGERATION UNIT WIRING DIAGRAM



AMBS	AMBIENT TEMP. SENSOR	EFL	LOW SPEED EVAPORATOR FAN CONTACTOR	LD7	LIGHT-EMISSION DIODE (IN RANGE)	SGS	SUCTION GAS SENSOR
BAT	BATTERY	EFM1, 2	EVAPORATOR FAN MOTOR	LD8	LIGHT-EMISSION DIODE (DE-HUMID)	SMV	SUCTION MODULATING VALVE
BSV	GAS BYPASS SOLENOID VALVE	EIS	EVAPORATOR INLET SENSOR	LD9-12	LIGHT-EMISSION DIODE	SS	SUPPLY AIR SENSOR
BS1-10	PUSH BUTTON SWITCH	EOS	EVAPORATOR OUTLET SENSOR	LSV	LIQUID SOLENOID VALVE	TB1	TERMINAL BOARD
CB	CIRCUIT BREAKER(30A)	ESV	ECONOMIZER SOLENOID VALVE	LPT	LOW PRESSURE TRANSDUCER	T+ C	CONTROL TRANSFORMER
CC	COMPRESSOR CONTACTOR	EV	ELECTRONIC EXPANSION VALVE	MTP	COND. MOTOR THERMAL PROTECTOR		
CFC	CONDENSER FAN CONTACTOR	Fu1-6	FUSE (250V, 10A) (TB1)	NF	NOISE FILTER		
CFM	CONDENSER FAN MOTOR	Fu1	FUSE (250V, 5A) (EC6)	P	POWER PLUG		
CT1, 2	CURRENT TRANSFORMER	HPT	HIGH PRESSURE SWITCH	PCC1, 2	PHASE CORRECTION CONTACTOR		
CTP	COMPRESSOR THERMAL PROTECTOR	HSV	HOT GAS SOLENOID VALVE	PHC	PHOTO COUPLER		
DGHS	COMPRESSOR DISCHARGE SENSOR	TSV	INJECTION SOLENOID VALVE	PPR	PC, PORT RECEPTACLE		
DHS	DATA RECORDER RETURN AIR SENSOR	LCD	LIQUID CRYSTAL DISPLAY	PT	POTENTIAL TRANSFORMER		
DSS	DATA RECORDER SUPPLY AIR SENSOR	LD-A	SERVICE MONITOR-GREEN (EC1)	REC	RECORDER		
DSV	DEFROST SOLENOID VALVE	LEDA	SERVICE MONITOR-GREEN (EC6)	RM	REMOTE MONITORING RECEPTACLE		
EC1	CPU BOARD (DECOS)	LED1	LIGHT-EMISSION DIODE (EC6)	RPP	REVERSE PHASE PROTECTOR		
EC2	I/O BOARD (DECOS)	LD1	LIGHT-EMISSION DIODE (R, H)	RRS	RECORDER RETURN AIR SENSOR		
EC3	DISPLAY BOARD (DECOS)	LD2	LIGHT-EMISSION DIODE (ALARM)	RS	RETURN AIR SENSOR		
EC4	SHEET KEY (DECOS)	LD3	LIGHT-EMISSION DIODE (RETURN)	RSS	RECORDER SUPPLY AIR SENSOR		
EC5	PRINTED CIRCUIT BOARD (PT, CT)	LD4	LIGHT-EMISSION DIODE (SUPPLY)	RV1-19	RELAY		
EC6	ADAPTER BOARD	LD5	LIGHT-EMISSION DIODE (COMP)	SCC1-1, -2	SHORT CIRCUIT CONNECTOR		
EFL	HIGH SPEED EVAPORATOR FAN CONTACTOR	LD6	LIGHT-EMISSION DIODE (DEFROST)	SCC2	SHORT CIRCUIT CONNECTOR		
				SCC3	SHORT CIRCUIT CONNECTOR		

8. 実体配線図 (LXE10E-A9R)



ORDERING INSTRUCTIONS

The parts list contains the parts of the DAIKIN Marine Type Container Refrigeration Units. Please read the following items before using the list.

1. When ordering the parts, be sure to specify the model No., the name of part and the type of part. When ordering the parts for which no parts NO. is shown in the PARTS NO. column, be sure to describe DWG.NO..
2. The list shows the parts only for replacement or repairing at the job site. Certain parts require a production lead time or are supplied as a set, so please contact with the nearest DAIKIN PARTS CENTRE.

3. Index symbols;

Meaning of the ranking A,B and C are as follows;

A. The most important spare parts

1. The parts whose malfunction cause fatal damage to the unit.
2. The parts with high risk of malfunction.
3. The parts that are worn out after an extended service period.

B. The important spare parts next to A, but the risk of malfunction is not so high.

C. The parts with low risk of malfunction, but recommendable to stock to cope with damage during handling of container box and long delivery time, etc.

The parts without A, B and C mark is the parts whose necessity is not so high under normal operation.

パーツリスト使用上の注意

このパーツリストはダイキン海上コンテナ冷凍装置の部品を集録してあります。パーツリスト使用にあたっては、必ず次の注意事項をご一読の上使用していただくようお願いいたします。

1. 部品のご注文の際は機種名、部品番号、および部品名、形式を必ずご指定ください。
なお、部品番号欄が空白になっている部品は、図面番号で指示願います。
2. 掲載部品の範囲は、あくまでも現地にて分解修理できるところまで記載しております。
一部部品につき納期のかかるものおよびセット単位となるものもありますので、お近くのダイキンパーツセンター又はサービスステーションに相談願います。

3. INDEXの説明

INDEXのA、B、Cの意味は下記の通りです。

A. 最も重要な部品

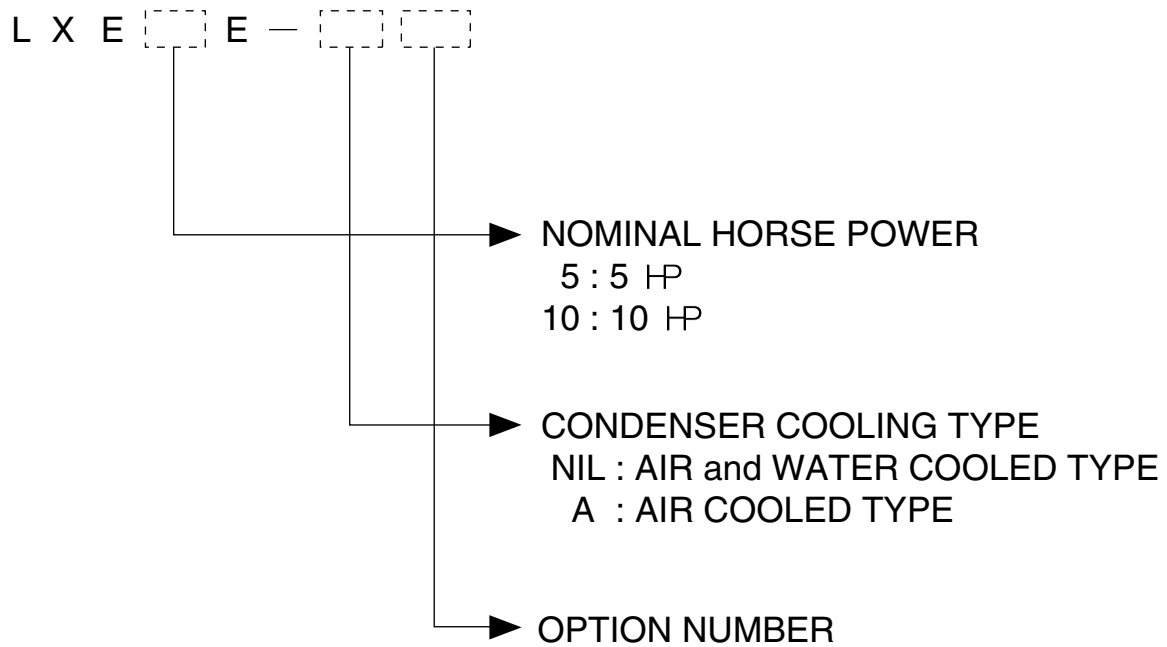
1. 故障した場合に最も重大な損害を与えると思われる部品
2. 故障の確率が高いと思われる部品
3. 長期の使用で摩耗して使用できなくなる部品

B. 故障発生の確率は高くはないが、Aについて重要な部品

C. 故障発生の確率は低いですが、コンテナボックスの運搬中の事故や、部品の納期が長期になるとと思われる等の理由で、在庫をお勧めする部品

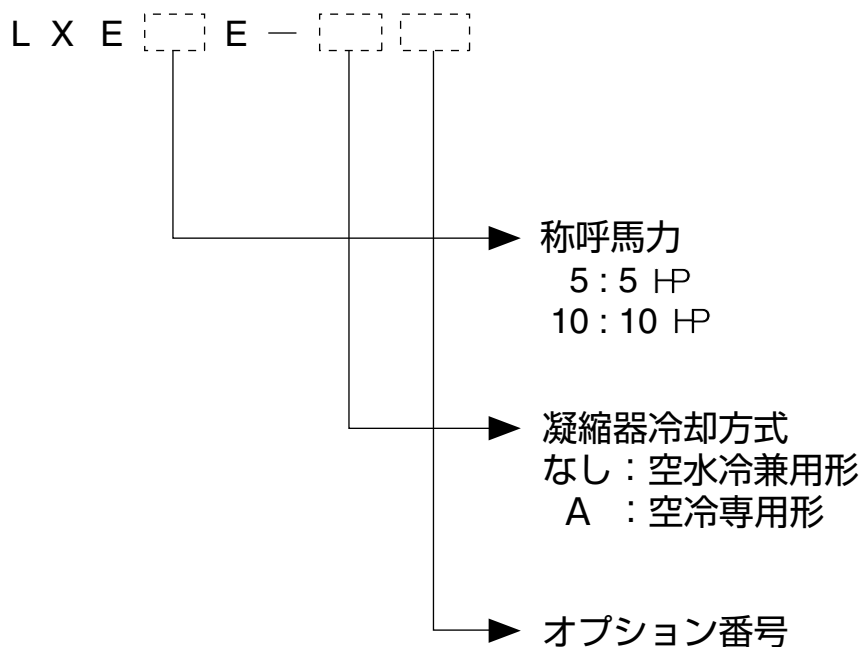
A,B,Cマークの無い部品は、通常の運転では必要性は高くない部品です。

Denomination of Model Name



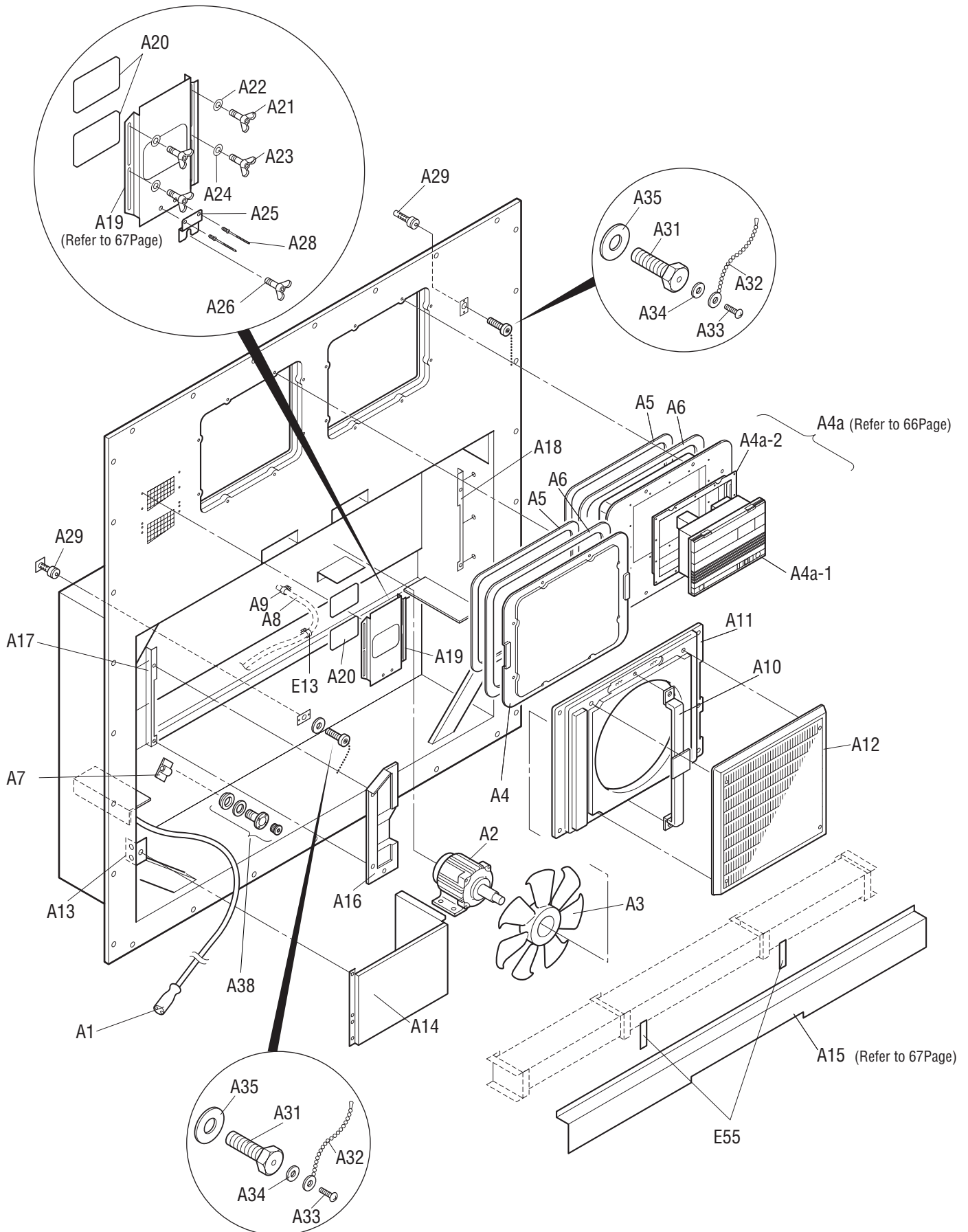
Note) "R" GIVEN AFTER OPTION NUMBER STANDS FOR "REVISION" AND IT IS GIVEN FOR THE UNIT WHICH IS SPECIALLY MODIFIED.

機種名について

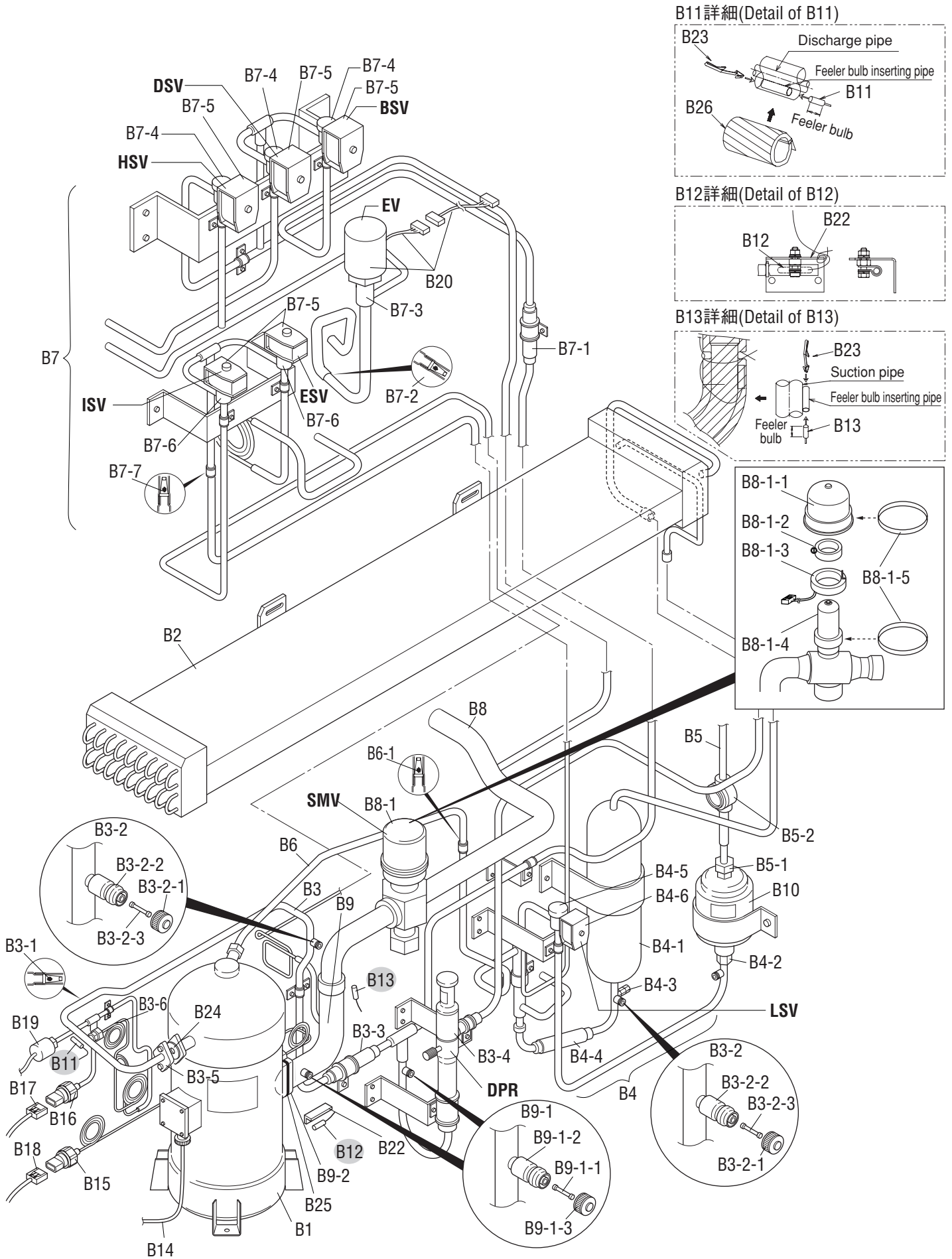


注) オプション番号の後に R がつく機種は、改造機で、特別な仕様が加えられていることを意味します。

	Page
A. Parts related with the unit(outside)	28
庫外関連部品	
B. Parts related with refrigerant piping(outside)	30
庫外冷媒配管関連部品	
C. Parts related with the unit(inside)	34
庫内関連部品	
D. Parts related with refrigerant piping(inside)	36
庫内冷媒配管関連部品	
E. Other parts(Pipe clamp, sealing and insulation material etc.)	38
その他部品 (配管固定具、シール材、防熱材等)	
F. Control box	46
コントローラボックス	
G. Parts related with name plate	50
銘板関連	
H. Parts related with option 1 – Recorder box	52
オプション関連部品 1 - レコーダボックス	
I. Parts related with option 2 – MODEM	56
オプション関連部品 2 - モデム	
J. Parts related with option 3 – Others	58
オプション関連部品 3 - その他	
1. Indoor fan guard 庫内ファンガード	
2. Evaporator coil 蒸発器コイル組立品	
K. Parts related with TRANS-FLESH	60
オプション関連部品 4 - トランス・フレッシュ	
L. Parts related with option 5 – Cable clamp	62
オプション関連部品 5 - ケーブルクランプ	
M. List of size for standard pipe clamp	64
配管固定具サイズ表	
1. Resin clamp 樹脂バンド	
2. Tube clamp 管止金	
3. Cushion rubber for pipe clamp 管止金用緩衝ゴム	
N. Note for ordering spare parts	66
部品発注の際の注意事項	
1. Parts recommended to be ordered together with packing, gasket, sealing material and name plate	
発注の際にパッキングやシール材、銘板等の同時発注を推奨する部品	
2. Order for motorized valve, solenoid valve and pressure regulating valve	
電動弁・電磁弁・圧力調整弁の発注	
3. Order for pressure transducer 圧力センサーの発注	
4. Order for temperature sensor 温度センサーの発注	
O. Measuring and adjusting tools	71
測定調整用工具	
1. Tools for emergency operation 緊急運転用工具	
2. Personal computer cable (for DCCS) パソコンケーブル(DCCS用)	



NO. 符号	INDEX	PARTS NO. 部品番号	PARTS NAME	部品名称	DWG. NO. 図面番号	TYPE SPECIFICATION 形式 仕様	QTY/UNIT		REMARKS 備考
							LXE10E-		
							A9	A9R	
A1		1199059	Power plug (400V class)	電源プラグ (400V)	3PA62347-1	333MPXT	1	1	
A2	A	0954936	Condenser fan motor	凝縮器電動機	3P005566-1		1	1	
A3	B	0980618	Fan Brade (outside)	プロペラファン (庫外側)	2P004956-1	P44H11S	1	1	
A4	C	1295476	Access panel ass'y (left)	サービス扉組立品 (左)	1P006678-2		2	1	Refer to Page66
A4a		1516111	Access panel ass'y (modified)	サービス扉組立品 (改造品)	2P012404-2			1	Refer to Page66
A4a-1		1625938	Container box, trans fresh	トランスフレッシュ収納箱	2P039569-1			1	
A4a-2		1625945	Aluminum flange	アルミフランジ	2P039614-1			1	
A5		1266207	Cushion material (access panel)	クッション材 (サービス扉)	3P033608-1		2	2	Refer to Page66
A6		1196113	Sealing material (access panel)	シール材 (サービス扉)	3P001640-2		2	2	Refer to Page66
A7		1266269	Wire clamp	電線止め金	4P049488-1		1	1	
A8	C	1266199	Drain hose	ドレンホース	3P011299-1	For trap type	1	1	
A9		537320	Hose band	ホースバンド	R4716528-3		1	1	
A10		1266137	Fan guide stay ass'y (outside)	ファンガイドステー組立品 (庫外側)	3P027891-1		1	1	
A11		1295483	Fan guide (outside)	ファンガイド (庫外側)	1P050906-3	White	1	1	
A12	C	1295490	Discharge grill	吹出グリル	1PA53427-3	White	1	1	
A13		1369663	Mounting plate 2	ケーブル収納部取付板2	4P006981-2		1	1	
A14		1316669	Cable front panel	ケーブル前板	2P053127-1		1	1	
A15	C	1266168	Front plate (CA)	前板 (CA)	2P061345-2		1	1	Refer to Page67
A16		1295508	Control box front plate	C, BOX前板 左 (ワンタッチ金具)	3P085243-1		1	1	
A17		1238428	Fixing plate (left)	外板取付板 (2)	3P047546-1		1	1	
A18		1311518	Fixing plate	外板取付板 (2)	3P047544-2		1	1	
A19	B	1266120	Ventilation cover	換気口蓋	3P067053-1		1	1	Refer to Page67
A20		1266221	Sealing material (access panel)	シール材 (換気口)	4P016185-1		2	2	Refer to Page67
A21		1270345	Wing bolt	蝶ボルト	4P048681-1		2	2	
A22		1430705	Plain washer (Woods round type)	平座金 (木材用丸)	4P066385-8		2	2	
A23		1270345	Wing bolt	蝶ボルト	4P048681-1		2	2	
A24		1430705	Plain washer (Woods round type)	平座金 (木材用丸)	4P066385-8		2	2	
A25		1266214	Holding plate, ventilator	押エ板	4P067052-1		1	1	
A26		1270345	Wing bolt	蝶ボルト	4P048681-1		1	1	
A28		1177509	Stainless rivet	ステンレスリベット	4P057425-1		2	2	
A29		1386923	Protection cover, thermometer	温度計挿入口保護カバー	4P085921-1		2	2	
A31		1266238	Hexagon head bolt	PC六角ボルト	R4290921-125	M12×25	2	2	
A32		1386930	Latch (victor chain)	掛金 (ビクターチェーン)	4P063801-1		2	2	
A33		1266245	Tapping screw	タッピンネジ	4SK05064-8	M3 SUS304	2	2	
A34		844012S	Plain washer	平座金	4SK07005-3	M3 SUS	2	2	
A35		1267084	Gasket, resin bolt	パッキン樹脂ボルト用	4PA63573-1		2	2	
A38		1584152	Single purge port ass'y	シングルパージポート組立品	3P039625-1			1	
E13		1266788	Resin clamp	樹脂バンド	NE41015-12	MILK WHITE	4	4	
E55		1267077	Packing for prevention of vibration	CA前板ビビリ防止パッキン	4P050050-1		2	2	



NO. 符号	INDEX	PARTS NO. 部品番号	PARTS NAME	部品名称	DWG. NO. 図面番号	TYPE SPECIFICATION 形式 仕様	QTY/UNIT		REMARKS 備考
							LXE10E-		
							A9	A9R	
B1	A	1199415	Compressor	圧縮機	JT224D-NYR		1	1	
B2	C	1387173	Air cooled condenser	空冷凝縮器	2P089486-1	CA-LXE10E1	1	1	
B3		1578892	Discharge pipe ass'y	吐出配管組立品	2P090618-1		1	1	
B3-1		1199167	Strainer	ストレーナ	4P051389-1		1	1	
B3-2		1178920	Service valve ass'y	サービスバルブ組立品	3P048905-1		3	3	
B3-2-1	B	1175921	Service valve cap	キャップ	3P048905-1-KU		3	3	
B3-2-2	B		Service valve body	本体	3P048905-1-KA		3	3	
B3-2-3	B	1178850	Valve core	バルブコア	3P048905-1-KI		3	3	
B3-3	B	0684220	Check valve	逆止弁	3SA27008-1		1	1	
B3-4	A	1241361	Discharge pressure regulating valve	吐出圧力調整弁	3P074558-1		1	1	Refer to Page68
B3-5		1266276	Flange (convex)	吐出管フランジ (凸)	4P065933-1		1	1	
B3-6	B	292011	Gauge joint (with check valve)	逆止弁付ゲージ接手	2PF00177-1	VCG2DA	1	1	
B4			Liquid receiver ass'y	受液器Assy	2P081418-1		1	1	
B4-1		1266283	Liquid receiver	受液器レシーバ	4P081428-1	φ 90×t1.5	1	1	
B4-2		0137856	Flare nut	フレアナット	4SK23011-4	FNS4 φ 12.7	1	1	
B4-3		292216	Fusible plug	可溶栓	NI31023-2		1	1	
B4-4		0299134	Filter	フィルタ	3SA26004-2		1	1	
B4-5	A	0944566	NEV type solenoid valve body	NEV型電磁弁本体	R3305118-1	NEV-803DXF	1	1	Refer to Page68
B4-6	A	0955287	Solenoid valve coil	電磁弁コイル	3P010453-1		1	1	Refer to Page68
B5			Liquid pipe ass'y	液配管組立品	3P065985-1		1	1	
B5-1		0137856	Flare nut	フレアナット	4SK23011-4	FNS4 φ 12.7	1	1	
B5-2	A	0622107	Liquid moisture indicator	モイスタチャーインジケーター	3PA51270-3	SGN12S	1	1	
B6			Injection tube ass'y	インジェクション管組立品	3P093305-1		1	1	
B6-1	C	0085296	Strainer	ストレーナ (100メッシュ)	R4697892		1	1	
B7			Aaa'y for pipe expansion valve	膨張弁配管組立品	2P089976-1		1	1	
B7-1		1505748	Filter	フィルタ	3P011071-1		1	1	
B7-2		0299134	Filter	フィルタ	3SA26004-2		1	1	
B7-3	A	1256495	Electronic expansion valve body ass'y	電子膨張弁本体組立品	2SA50010-2-KU		1	1	Refer to Page68
B7-4	A	0944566	NEV type solenoid valve body	NEV型電磁弁本体	R3305118-1	NEV-803DXF	3	3	Refer to Page68
B7-5	A	1266290	Solenoid valve coil	電磁弁コイル	3P010453-2		3	3	Refer to Page68
B7-5	A	1266290	Solenoid valve coil	電磁弁コイル	3P010453-2		2	2	Refer to Page68
B7-6	A	0088738	Nev type solenoid valve body	NEV型電磁弁本体	R3305099-1-KI	NEV-202DXF	2	2	Refer to Page68
B7-7	C	0964166	Strainer	ストレーナ	4P012568-1		1	1	
B8		1496781	Suction pipe ass'y (inside)	吸入配管組立品 (庫内)	3P071569-2		1	1	
B8-1	A	1254538	Suction modulating valve ass'y	吸入比例弁組立品	2P078385-1		1	1	Refer to Page68
B8-1-1		1270376	Upper cover, suction modulating valve	吸入比例弁カバー上	2P078385-1-KA		1	1	
B8-1-2		1496914	Clamp, suction modulating valve	吸入比例弁クランプ	2P078385-1-KI		1	1	
B8-1-3		1270390	Coil, suction modulating valve	吸入比例弁コイル	2P078385-1-KU		1	1	
B8-1-4		1270408	Body, suction modulating valve	吸入比例弁本体	2P078385-1-KE		1	1	
B8-1-5		1270415	Cover band,suction modulating valve	吸入比例弁カバーバンド	2P078385-1-KO		2	2	

• When ordering the parts whose No. are not shown in the PARTS NO. column, be sure to describe DWG. NO..

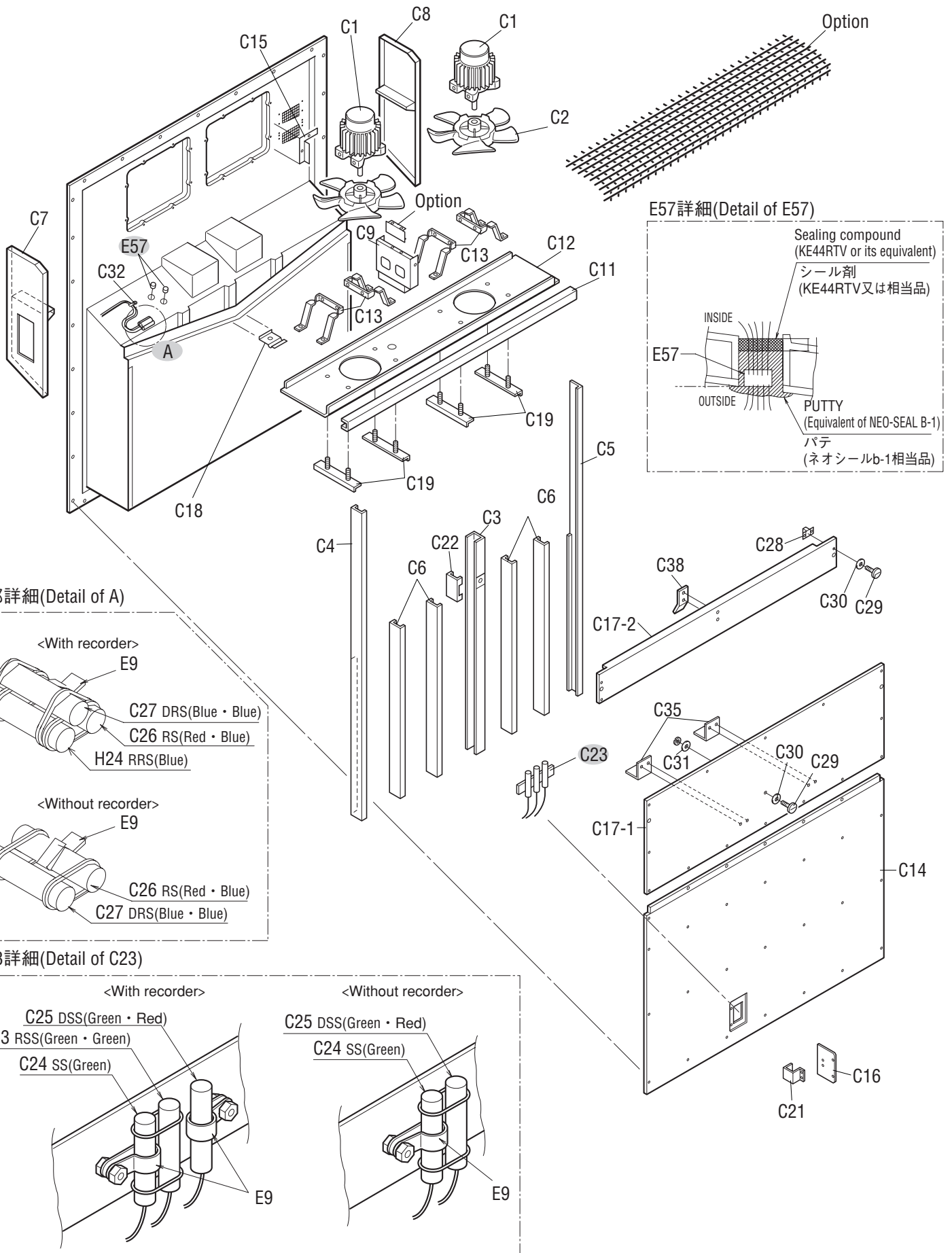
• 部品番号欄が空白になっている部品は、図面番号で、指示願います。

Parts related with refrigerant piping(outside)
庫外冷媒配管関連部品

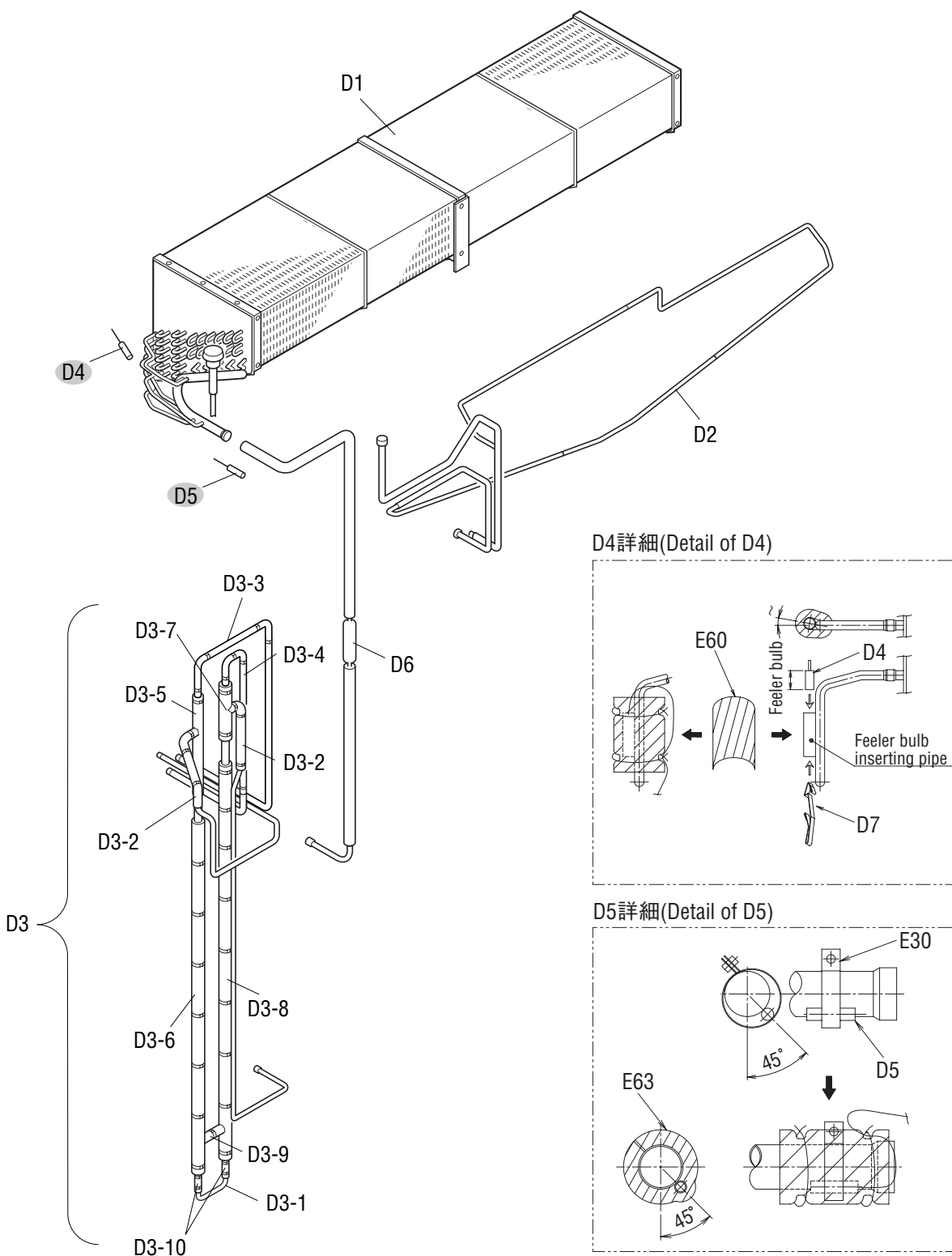
NO. 符号	INDEX	PARTS NO. 部品番号	PARTS NAME 部品名称	DWG. NO. 図面番号	TYPE SPECIFICATION 形式 仕様	QTY/UNIT		REMARKS 備考	
						LXE10E-			
						A9	A9R		
B9		1496774	Suction piping ass'y (1)	吸入配管組立品 (1)	2P084863-1		1	1	
B9-1-1	B	1178867	Valve core	バルブコア	3P048907-1-KI		2	2	
B9-1-2	B		Service valve body	本体	3P048907-1-KA		2	2	
B9-1-3	B	1175914	Service valve cap	キャップ	3P048907-1-KU		2	2	
B9-2		1266315	Square flange	角フランジ	4PA61542-1		1	1	
B10	A	1241385	Drier ass'y	ドライヤ組立品	3P069859-1		1	1	
B11	A	0983321	Sensor, discharge pipe temperature (DCHS)	吐出管用センサ (DCHS)	3SA48009-10		1	1	Refer to Page70
B12	A	0798321	Sensor, ambient air temperature (AMBS)	外気温度センサ (AMBS)	3PA61769-6	ST9503-6 (NIL)	1	1	Refer to Page70
B13	A	0983338	Sensor, comp suction pipe temperature (SGS)	圧縮機吸込配管温度用センサ (SGS)	3PA61769-9	ST9503-9 (white)	1	1	Refer to Page70
B14		1485440	Cable (compressor)	ケーブル (圧縮機)	3P090104-1		1	1	
B15	A	0797241	Low pressure transducer (LPT)	低圧圧力センサ (LPT)	4PA60524-1	SPCL02	1	1	Refer to Page69
B16	A	0797234	High pressure transducer (HPT)	高圧圧力センサ (HPT)	4PA60522-1	SPCH01	1	1	Refer to Page69
B17	A	1011058	Cable, high-pressure transducer	高圧圧力センサケーブル	3P008835-1		1	1	Refer to Page69
B18	A	1011065	Cable, low-pressure transducer	低圧圧力センサケーブル	3P008835-2		1	1	Refer to Page69
B19	A	1241378	High pressure switch	高圧圧力開閉器 ACB-KB15	3P071506-1		1	1	
B20	A	KD93001	Electronic expansion valve coil	電子膨張弁コイル	2P010454-1		1	1	Refer to Page68
B21		1266339	Wire harness (EV junction cable)	ワイヤハーネス (EV中継ケーブル)	3P059954-1		1	1	
B22		1266346	Thermostat cover	サーモカバー	4P068258-1		1	1	
B23		0074328	Mounting spring, thermistor	サーミスタ取付バネ	4PA21006-1		1	1	
B24	A	0132192	Flange packing, compressor discharge	圧縮機吐出側フランジパッキン	4SK20053-4		1	1	
B25	A	0395032	Flange packing, compressor suction	圧縮機吸入側フランジパッキン	R4221042-1		1	1	
B26		1267147	Thermal insulation tube	断熱筒 (吸入弁庫外側)	4P073602-1		1	1	

• When ordering the parts whose No. are not shown in the PARTS NO. column, be sure to describe DWG. NO.. • 部品番号欄が空白になっている部品は、図面番号で、指示願います。

NO. 符号	INDEX	PARTS NO. 部品番号	PARTS NAME	部品名称	DWG. NO. 図面番号	TYPE SPECIFICATION 形式 仕様	QTY/UNIT		REMARKS 備考
							LXE10E-		
							A9	A9R	



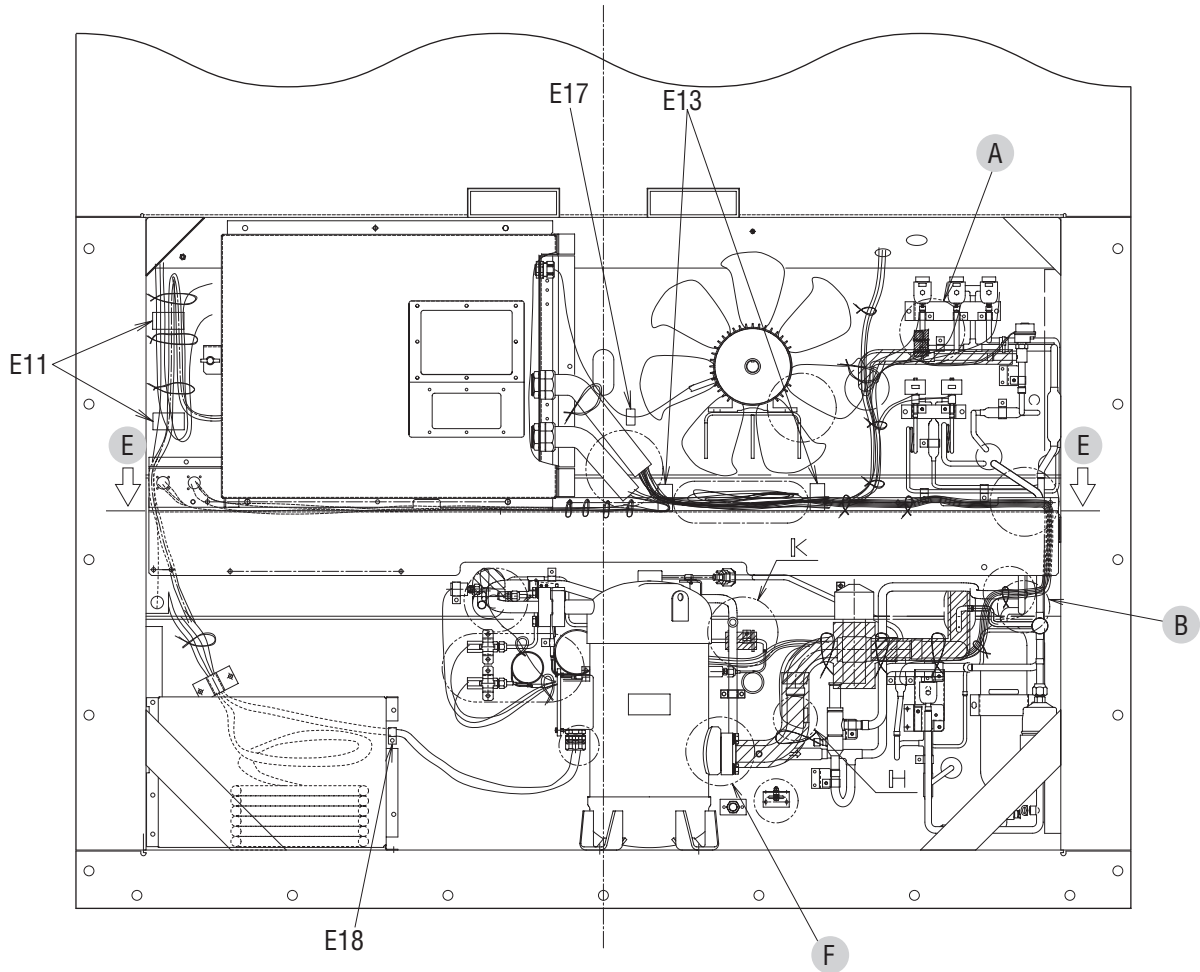
NO. 符号	INDEX	PARTS NO. 部品番号	PARTS NAME	部品名称	DWG. NO. 図面番号	TYPE SPECIFICATION 形式 仕様	QTY/UNIT		REMARKS 備考
							LXE10E-		
							A9	A9R	
C1	A	0955333	Three phase AC fan motor	三相交流ファン電動機	3PA07524-4		1	1	
C1	A	0955340	Three phase AC fan motor	三相交流ファン電動機	3PA07524-5	SPRK91A - 42	1	1	
C2	B	0777519	Fan Brade (inside)	プロペラファン (庫内側)	P32P11F		2	2	
C3		1410958	Center stay	中央ステー	3P094853-1		1	1	
C4		1266360	Side stay	サイドステー	3P061281-1	t2.5	1	1	
C5		1266377	Side stay (2)	サイドステー (2)	3P061282-1	t2.5	1	1	
C6		1410965	Rear stay	背面ステー	3P094854-1		4	4	
C7		1266391	Casing frame,evaporator (left)	蒸発器枠 (1)	2P071765-1		1		
C7		1625952	Casing frame,evaporator (left)	蒸発器枠 (1)	2P101802-1			1	
C8		1266409	Casing frame,evaporator (right)	蒸発器枠 (2)	2P071765-2		1		
C8		1625969	Casing frame,evaporator (right)	蒸発器枠 (2)	2P101802-2			1	
C9		1410509	Fan guide fixing plate	ファンガイド固定板	3P083180-1		1	1	
C11		1266430	Support plate, fan guide	ファンガイド補強板	2P071560-1		1	1	
C12		1409453	Fan guide ass'y	ファンガイド組立品	2P089213-1		1		
C12		1625976	Fan guide ass'y	ファンガイド組立品	2P089213-2			1	
C13		0673112	Set plate, fan motor	電動機取付脚	3PA51122-1		4	4	
C14		1626063	Rear plate (lower)	裏板 (下) バッフルプレート穴	2P094959-2		1	1	
C15		1266555	Air reflection plate	風向板	4P055257-1		1	1	
C16		1380817	Inspection door (supply sensor)	点検蓋 (サプライセンサ)	4P094961-1		1	1	
C17-1		1327188	Rear plate (upper)	裏板 (上)	2P089100-2		1	1	
C17-2		1327171	Rear plate (middle)	裏板 (中) 本体	2P089108-2		1	1	
C18		1266485	Partition plate (drain outlet)	仕切板 (ドレン出口)	4P011317-1		1	1	
C19		1135978	Reinforce plate, fan motor	補強板 (ファン電動機台)	4P011316-1		4	4	
C21		1135125	Hinge	蝶番	3P043374-1		1	1	
C22		1266524	Support plate	支柱補強柱	4P061342-1		1	1	
C23		1266517	Mounting plate, sensor	センサー取付板	3P069038-1		1	1	
C24	A	0798299	Sensor (SS)	センサー (SS)	3PA61769-3	ST9503-3 (green)	1	1	Refer to Page70
C25	A	0798770	Sensor (DSS)	センサー (DSS)	3PA61769-8	ST9503-8 (green, red)	1	1	Refer to Page70
C26	A	0798275	Sensor (RS)	センサー (RS)	3PA61769-1	ST9503-1 (blue)	1	1	Refer to Page70
C27	A	0798732	Sensor (DRS)	センサー (DRS)	3PA61769-7	ST9503-7 (blue,red)	1	1	Refer to Page70
C28		860015	Universal nut	自在ナット	R4713188-1		21	21	
C29		860030S	Speed bolt	スピードボルト (M6)	4P048680-2	M6×29 (S)	21	21	
C30		860005	Washer, speed bolt	スピードボルト用座金	R4713334		21	21	
C31		840002	Drop out prevention washer	脱落防止座金	R4718607-6		2	2	
C32		1327195	Fixing plate	固定板	4P043004-1		3	3	
C35		1327195	Fixture, rear plate (middle)	固定具 (裏板中)	4P043004-1		2	2	
E9		0118273	Resin clamp	樹脂バンド	NE41015-2	MILK WHITE	4	4	
E57		1267091	Wiring protection bush	配線保護ブッシュ	4P023920-1	BLACK	2	2	
H23	A	0798307	Sensor (RSS)	センサー (RSS)	3PA61769-4	ST9503-4 (Green, Green)	1	1	
H24	A	0798282	Sensor (RRS)	センサー (RRS)	3PA61769-2	ST9503-2 (Blue, Blue)	1	1	



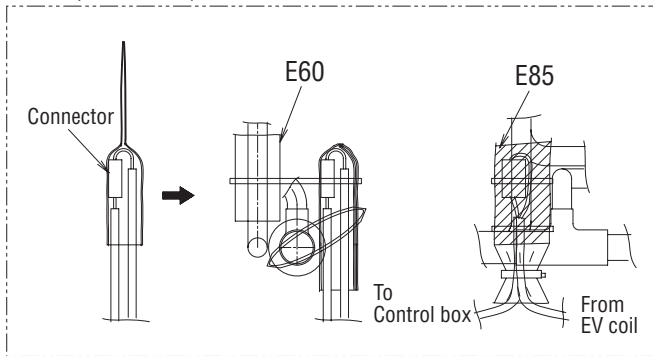
NO. 符号	INDEX	PARTS NO. 部品番号	PARTS NAME	部品名称	DWG. NO. 図面番号	TYPE SPECIFICATION 形式 仕様	QTY/UNIT		REMARKS 備考
							LXE10E-		
							A9	A9R	
D1		1562789	Evaporator	蒸発器組立品	2P089487-1	CRB-LXE10E5	1	1	
D2		1625983	Ass'y for pipe of drain pan	ドレンパン配管組立品	2P063429-2		1	1	
D3		1625990	Heat exchanger ass'y	熱交換器防露筒組立品	3P081384-2		1	1	
D3-1			Double tube heat EXCH. ass'y	二重管式熱交換器組立品	2P089614-2		1	1	
D3-2		1266601	Insulation tube, gas pipe (1)	ガス配管（1）防露筒	3P079485-1		2	2	
D3-3		1266618	Insulation tube, liquid pipe (1)	液配管（1）防露筒	3P079485-2		1	1	
D3-4		1266625	Insulation tube, liquid pipe (2)	液配管（2）防露筒	3P079485-3		1	1	
D3-5		1266632	Thermal insulation tube	断熱筒（熱交外管）	4P079486-1		1	1	
D3-6		1266649	Thermal insulation tube	断熱筒（熱交外管）	4P079486-2		1	1	
D3-7		1266656	Thermal insulation tube	断熱筒（熱交外管）	4P079486-3		1	1	
D3-8		1266663	Thermal insulation tube	断熱筒（熱交外管）	4P079486-4		1	1	
D3-9		1266670	Thermal insulation, gas pipe (3)	ガス配管（3）防露筒	4P079488-1		1	1	
D3-10		1266687	Thermal insulation, liquid pipe (3)	液配管（3）防露筒	4P079488-2		2	2	
D4	A	0983376	Sensor (EIS)	センサー（E I S）	3P012118-1	ST9703-1(brown)	1	1	Refer to Page70
D5	A	0798314	Sensor (EOS)	センサー（E O S）	3PA61769-5	ST9501-5 (yellow)	1	1	Refer to Page70
D6		1266308	Filter	フィルタ	3P032328-1		1	1	
D7		0423968	Mounting spring,thermistor	サーミスタ取付バネ	4PA38890-1		3	3	
E30		537320	Hose band	ホースバンド	R4716528-3		2	2	
E60		1267123	Thermal insulation tube piping	断熱筒配管緩衝材	4P011309-1		5	5	
E63		1267154	Insulation tube evaporater header	蒸発器ヘッダー防露筒	4P073525-1		1	1	

● When ordering the parts whose No. are not shown in the PARTS NO. column, be sure to describe DWG. NO.. ● 部品番号欄が空白になっている部品は、図面番号で、指示願います。

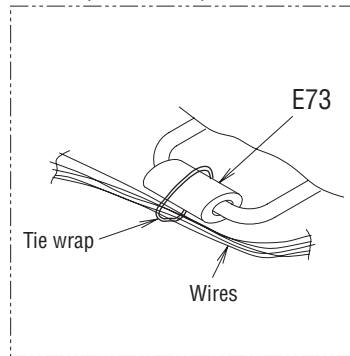
Other parts(Pipe clamp, sealing and insulation material etc.)
 その他部品 (配管固定具、シール材、防熱材等)



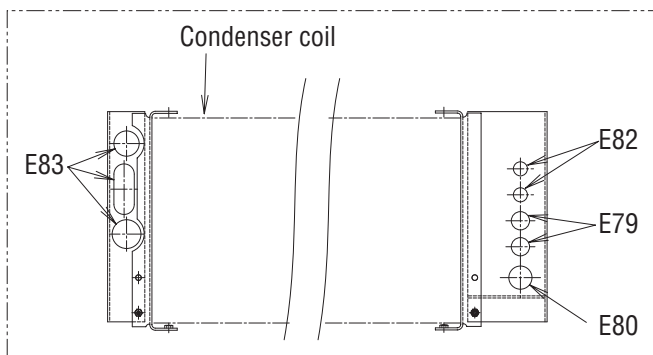
A詳細(Detail of A)



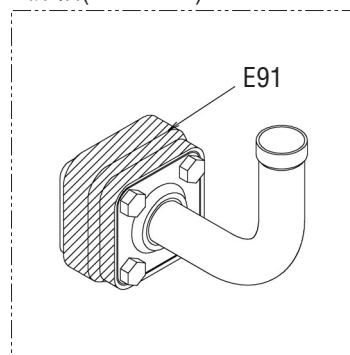
B詳細(Detail of B)



E断面(Section of E)



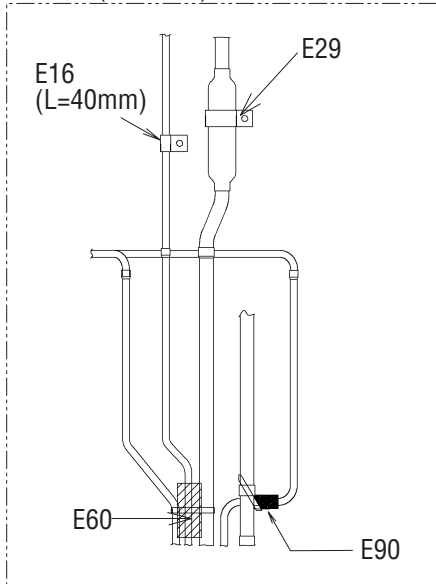
F詳細(Detail of F)



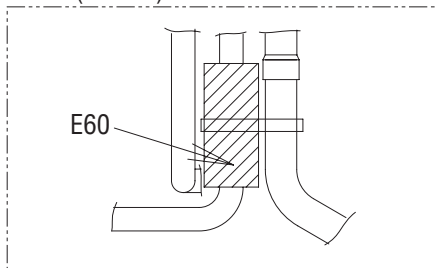
※(L = XX mm) indicates the length of cushion rubber E35. (Cut to suit pipe size.)

※(L = XX mm)と表記のものは、緩衝ゴム(E35)の長さです。(配管のサイズに合わせて切って使用ください。)

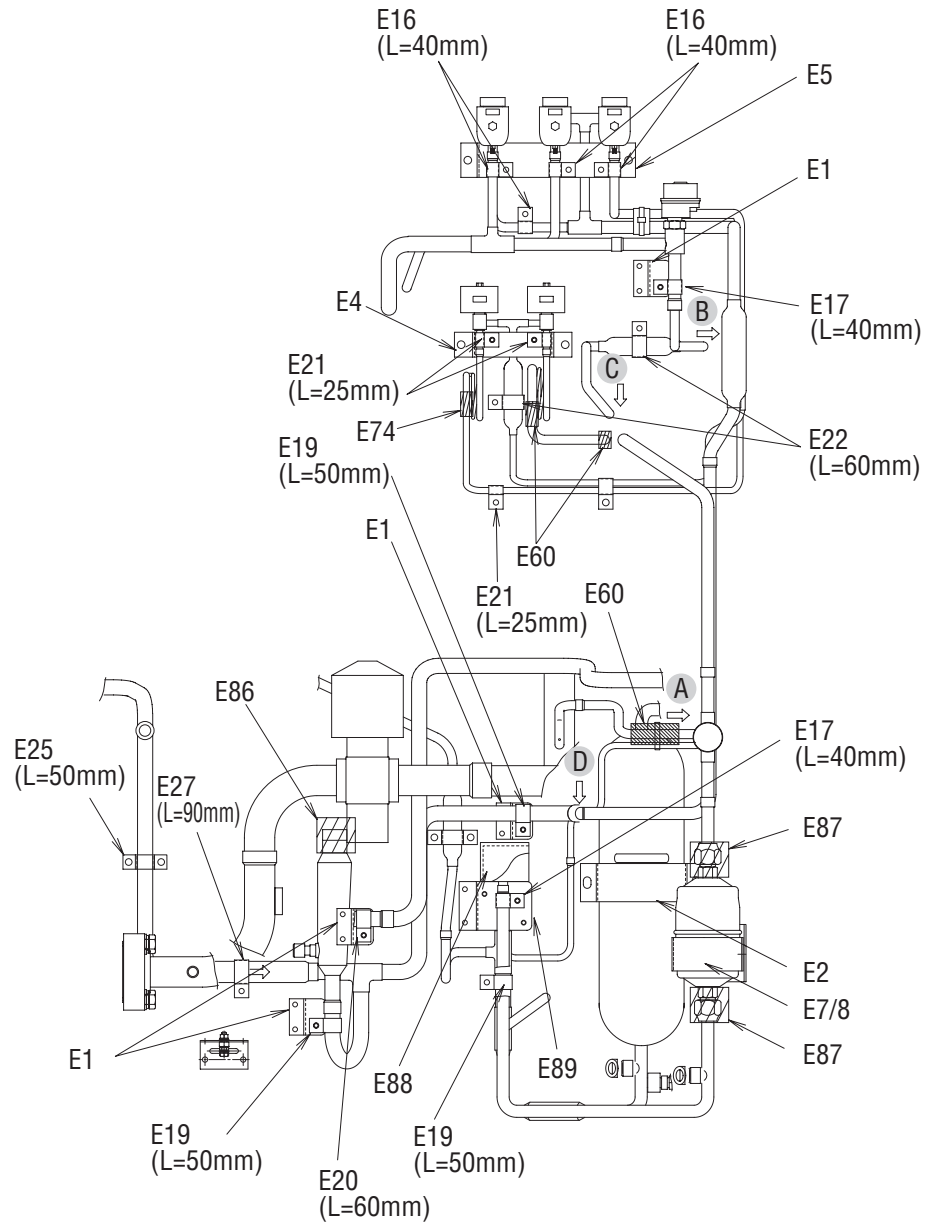
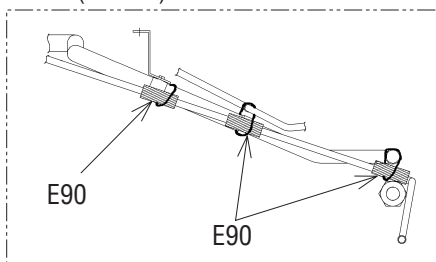
矢視A/B(View A/B)



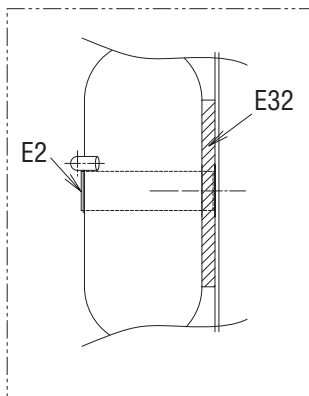
矢視C(View C)



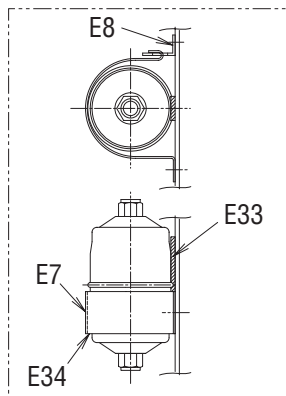
矢視D(View D)



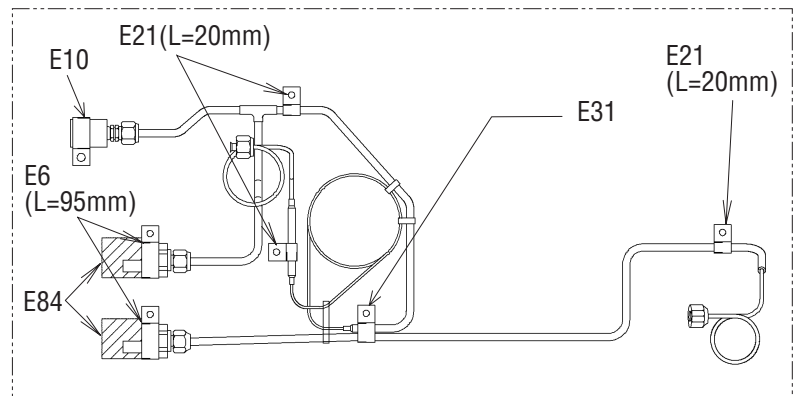
受液機器部詳細
(Receive part detail)



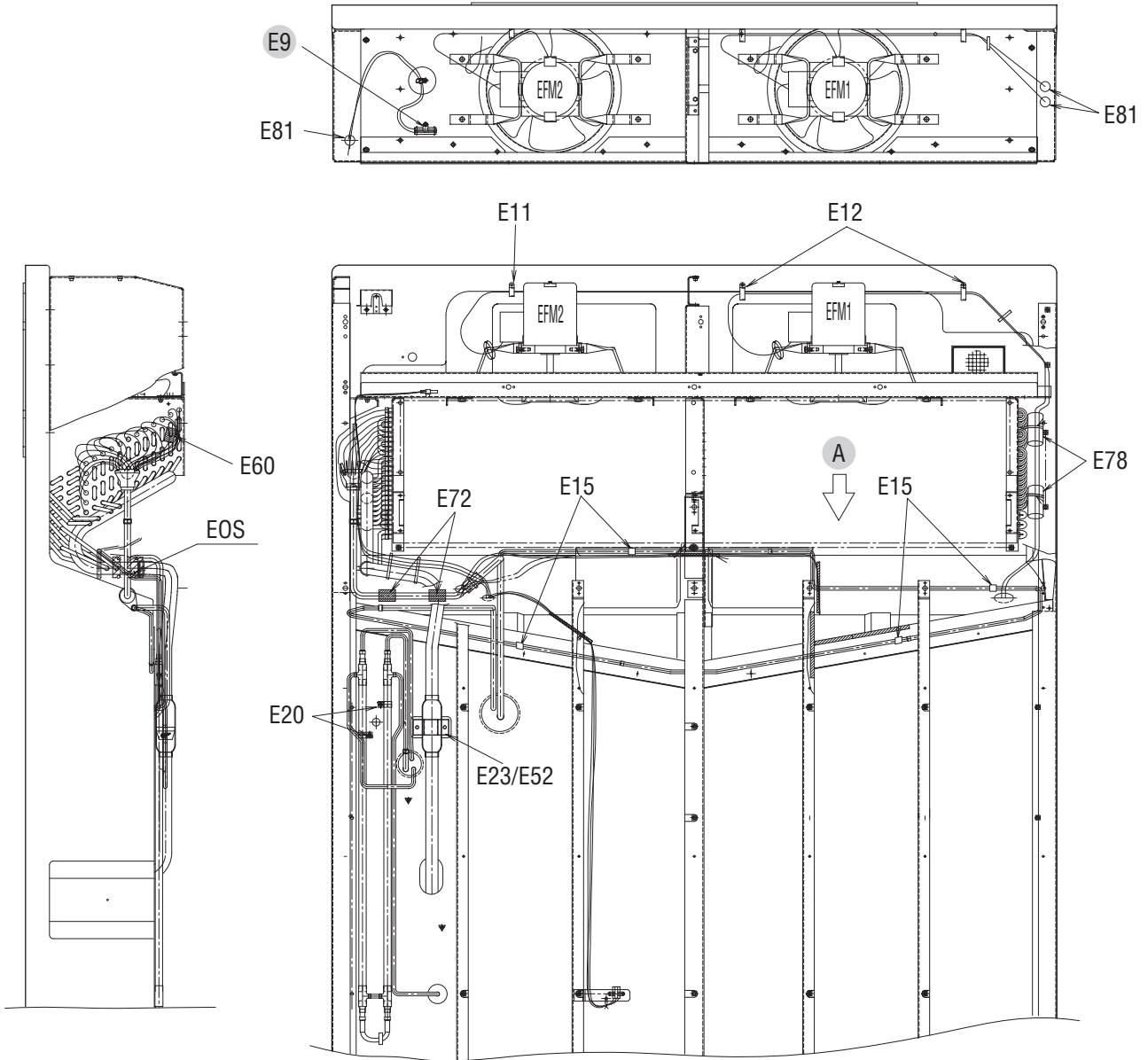
ドライヤー部詳細
(Dryer part detail)



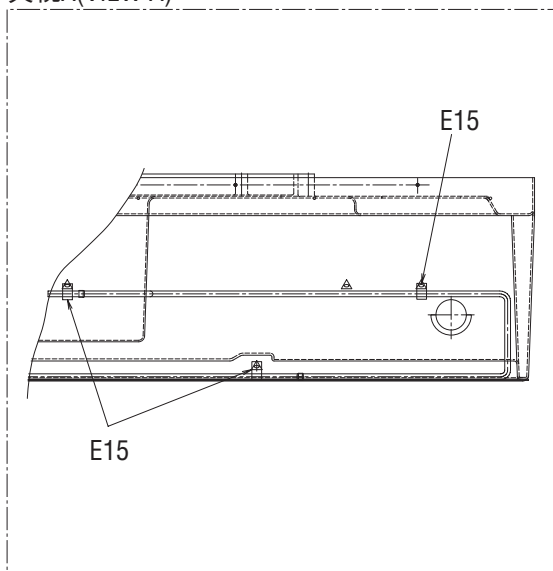
圧力センサー配管部詳細
(Pressure transducer detail)



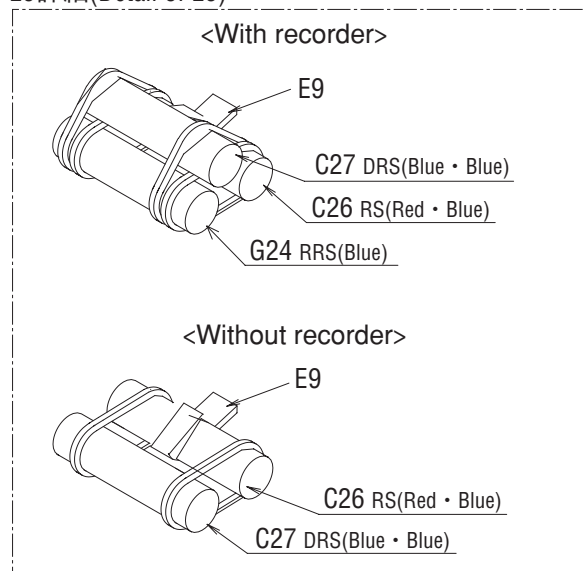
Other parts(Pipe clamp, sealing and insulation material etc.)
 その他部品 (配管固定具、シール材、防熱材等)

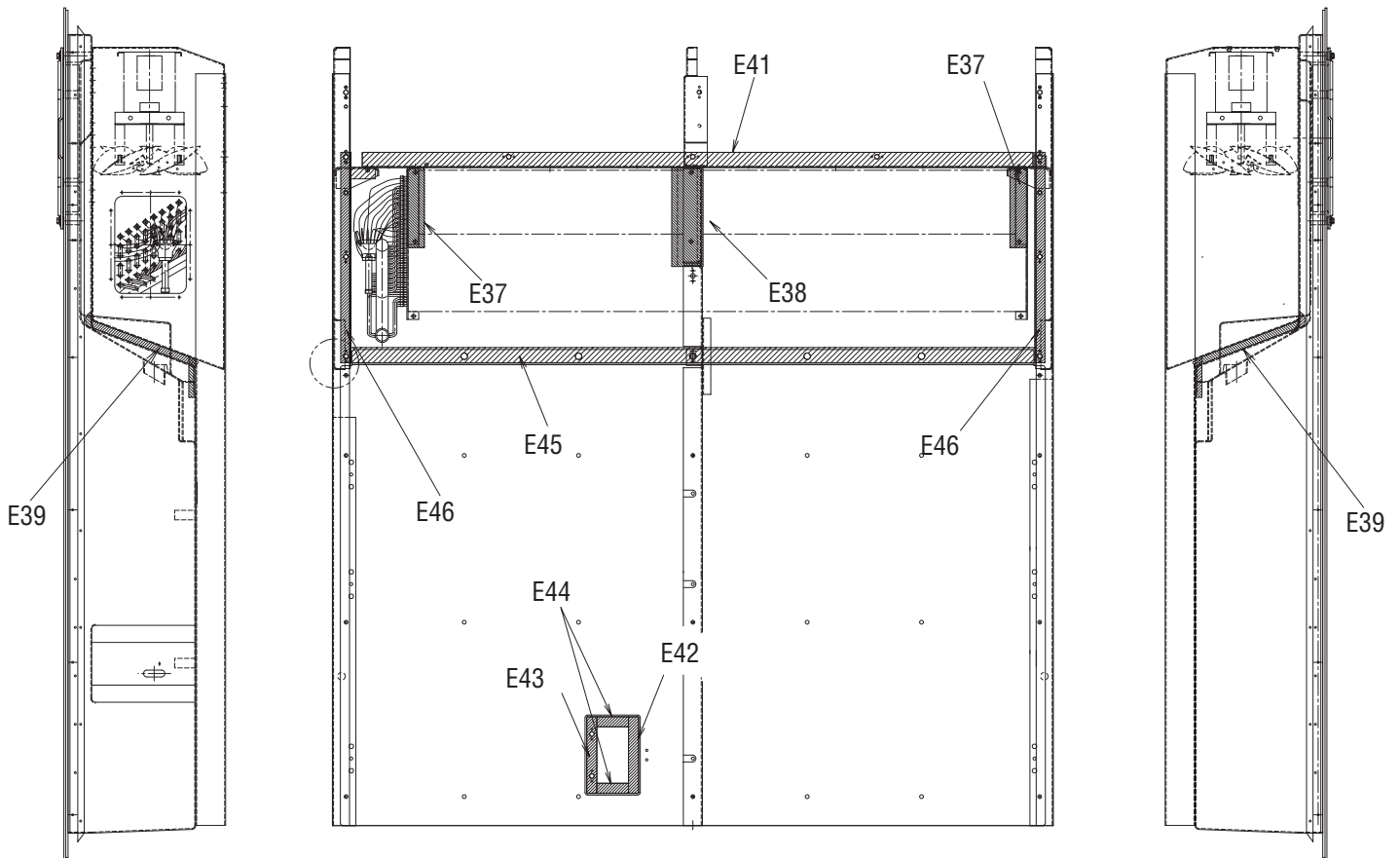
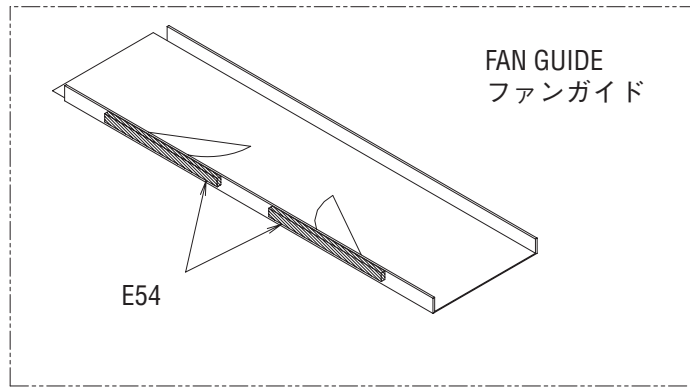


矢視A(VIEW A)

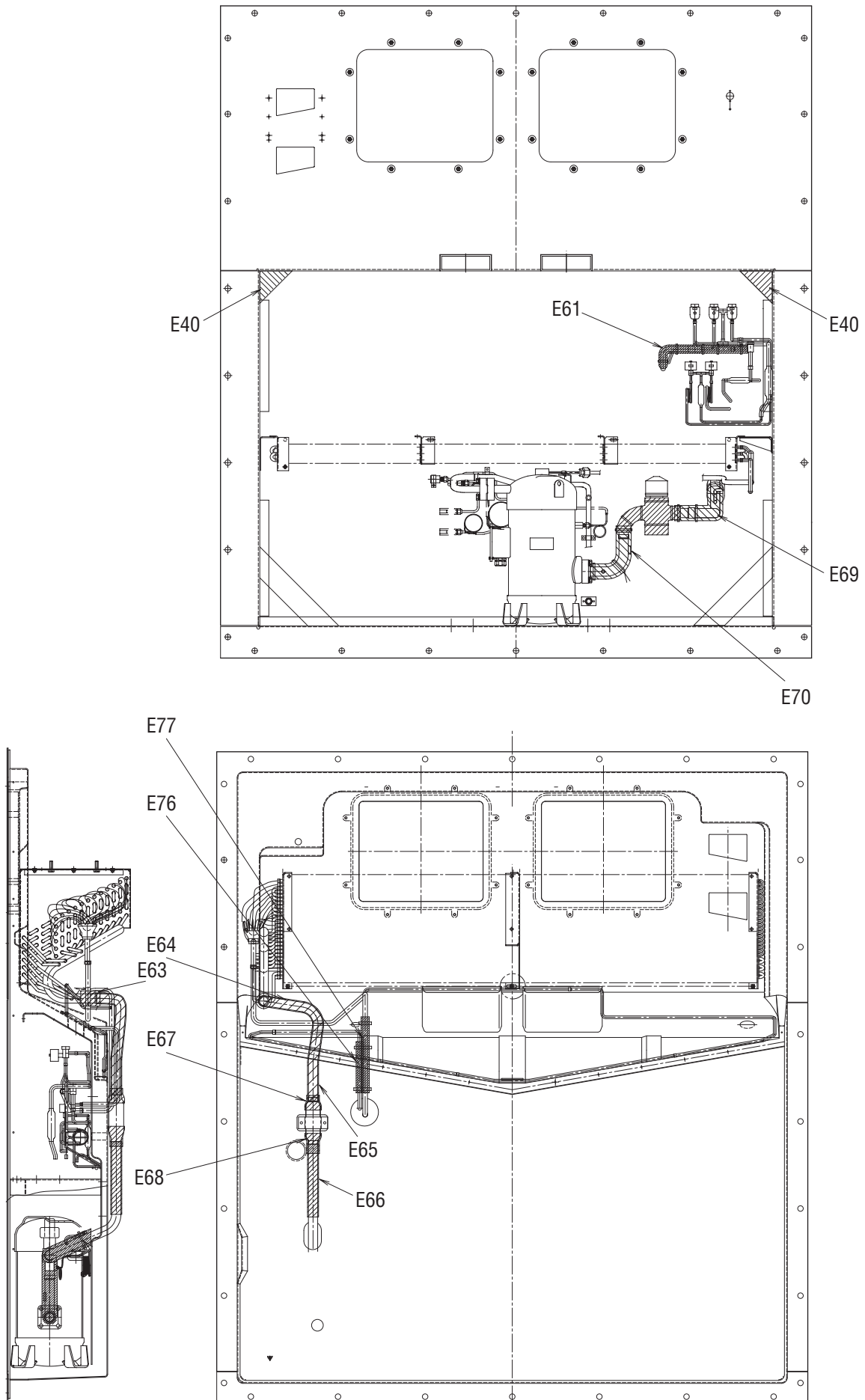


E9詳細(Detail of E9)





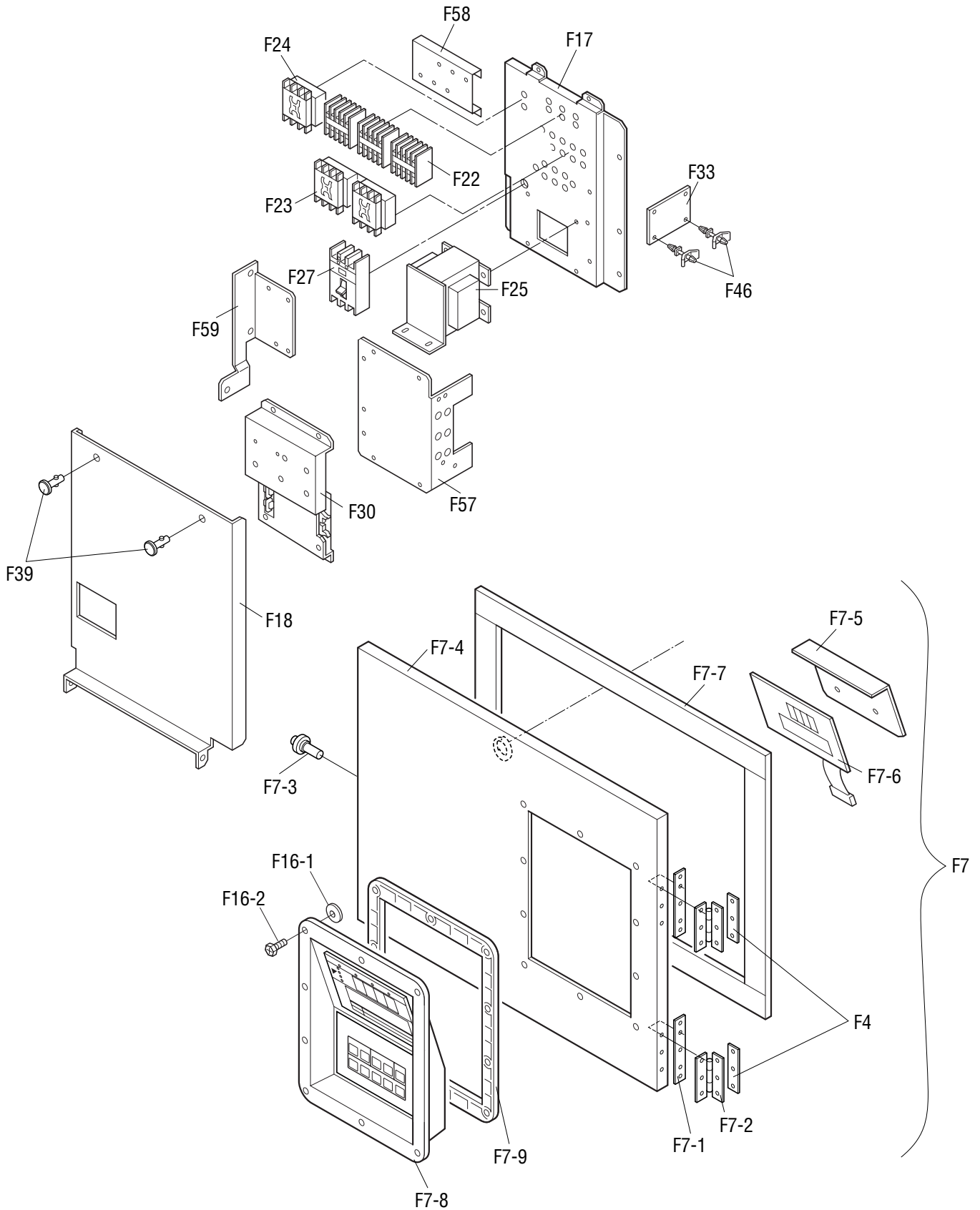
Other parts(Pipe clamp, sealing and insulation material etc.)
その他部品 (配管固定具、シール材、防熱材等)

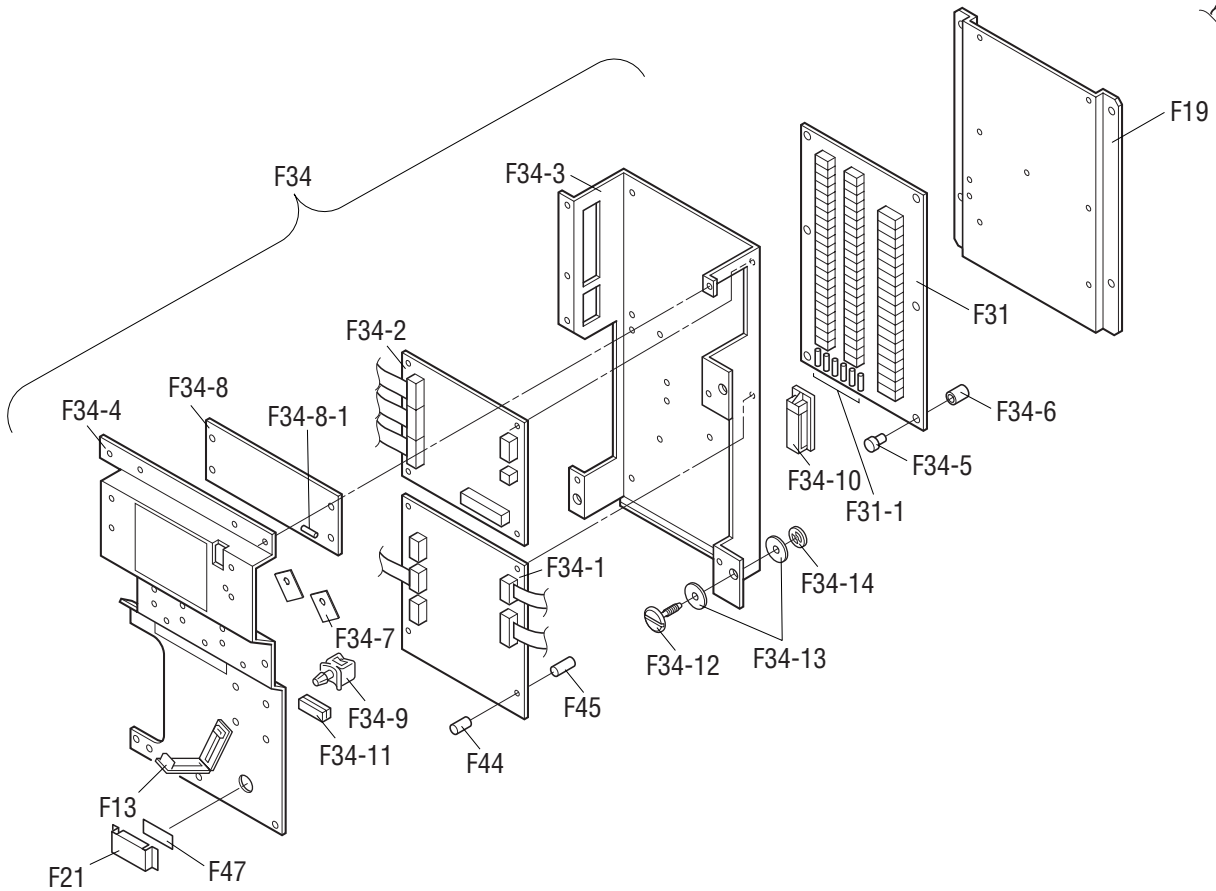
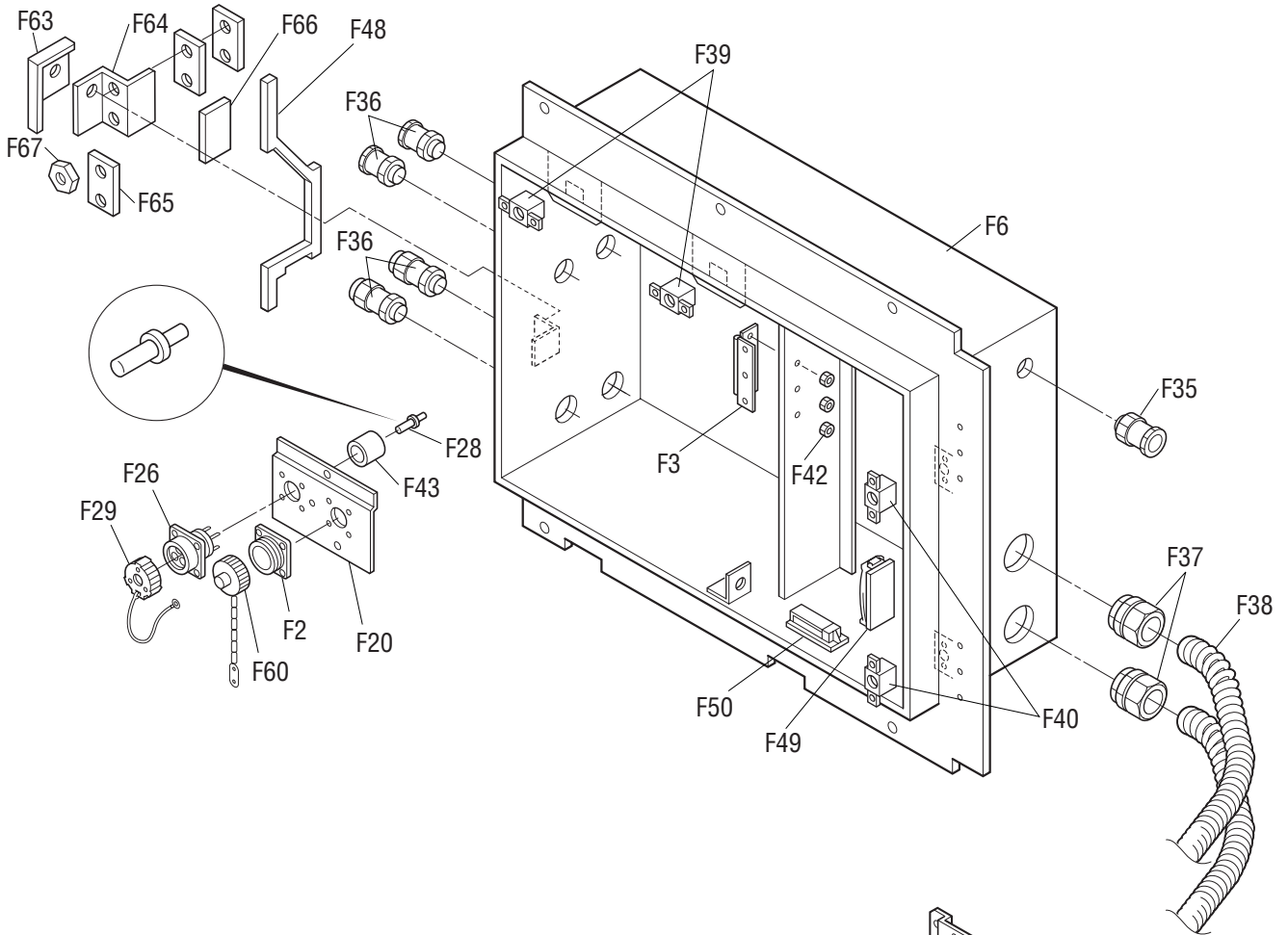


NO. 符号	INDEX	PARTS NO. 部品番号	PARTS NAME	部品名称	DWG. NO. 図面番号	TYPE SPECIFICATION 形式 仕様	QTY/UNIT		REMARKS 備考
							LXE10E-		
							A9	A9R	
E1		1266694	Set plate, discharge pipe	吐出配管取付板	4P079462-1		3	3	Page39
E2		1266702	Fixture plate, receiver	レシーバー固定具	4P011318-2	t1.5	1	1	Page39
E4		1266726	Set plate, INJ solenoid valve	取付板 (I N J 電磁弁取付板)	4P079329-1	t2.0	1	1	Page39
E5		1326774	Mounting plate	H S V , D S V , B S V 取付板	4P090101-1		1	1	Page39
E6		1270439	Tube clamp	管止金	NE31016-61		2	2	Page39
E7		1266764	Fitting band, dryer	ドライヤー取付バンド	4PA51194-1		1	1	Page39
E8		1266771	Set plate, dryer	取付板 (ドライヤー)	4P076788-1	t2.0	1	1	Page39
E9		0118273	Resin clamp	樹脂バンド	NE41015-2	MILK WHITE	4	4	Page40
E10		1222764	Resin clamp	樹脂バンド	NE41015-9	MILK WHITE	1	1	Page39
E11		0944528	Resin clamp	樹脂バンド	NE41015-7	MILK WHITE	2	2	Page38,40
E12		0142492	Resin clamp	樹脂バンド	NE41015-10	MILK WHITE	2	2	Page40
E13		1266788	Resin clamp	樹脂バンド	NE41015-12	MILK WHITE	4	4	Page38
E15		0782775	Tube clamp	管止め金	NE31016-51		6	6	Page40
E16		0702382	Tube clamp	管止め金	NE31016-52		6	6	Page39
E17		0414421	Tube clamp	管止め金	NE31016-53		2	2	Page38,39
E18		0700090	Tube clamp	管止め金	NE31016-54		1	1	Page38
E19		1266795	Tube clamp	管止め金	NE31016-55		1	1	Page39
E20		0016290	Tube clamp	管止め金	NE31016-56		3	3	Page39,40
E21		1266803	Tube clamp	管止め金	NE31016-70		7	7	Page39
E22		1266810	Tube clamp	管止め金	NE31016-57		1	1	Page39
E23		1266827	Fixing plate, filter	フィルタ固定具	4P071794-1	t1.5	1	1	Page40
E25		1266841	Tube clamp	管止め金 (2)	4P005817-2		1	1	Page39
E27		1266858	Tube clamp	管止め金	NE31016-59		1	1	Page39
E29		1266865	Tube clamp	管止め金	NE31016-60		1	1	Page39
E30		537320	Hose band	ホースバンド	R4716528-3		2	2	Page36
E31		1380970	Hot gas tube clamp	ホットガス管止め金	4PA43040-1		1	1	Page39
E32		1266889	Cushion rubber, pipe clamp	緩衝ゴム (管止用)	4P064896-1	t1.0	1	1	Page39
E33		1266896	Seal packing	シールパッキン	4P011314-1		1	1	Page39
E34		1270446	Dryer cushion rubber	ドライヤー緩衝ゴム	4PA53083-2		1	1	Page39
E35		1266911	Cushion rubber	緩衝ゴム	NE41013-3-500	L=500	3	3	
E37		1266935	Packing (for evaporator)	パッキン (蒸発器)	4P063465-1		2	2	Page41
E38		1266942	Packing (for evaporator)	パッキン (蒸発器)	4P063465-2		1	1	Page41
E39		1381036	Packing	パッキン	4P095033-1		2	2	Page41
E40		1177369	Cushion rubber	仕切用ゴム	4P026657-1	t2.0	2	2	Page42
E41		1386954	Sealing material	ファンガイドパッキン	3P090183-1		1	1	Page41
E42		1266973	Sealing material (patch plate2)	シール材 (当板2)	4P068964-1	t5.0	1	1	Page41
E43		1381043	Sealing material (patch plate3)	シール材 (当板3)	4P095038-1		1	1	Page41
E44		1266997	Sealing material (patch plate1)	シール材 (当板1)	4P068968-1	t5.0	2	2	Page41
E45		1267008	Sealing packing	シールパッキン	3P011293-1		1	1	Page41
E45		1326851	Packing (rear plate)	パッキン (裏板上)	3P073551-1		2	2	Page41

Other parts(Pipe clamp, sealing and insulation material etc.)
 その他部品 (配管固定具、シール材、防熱材等)

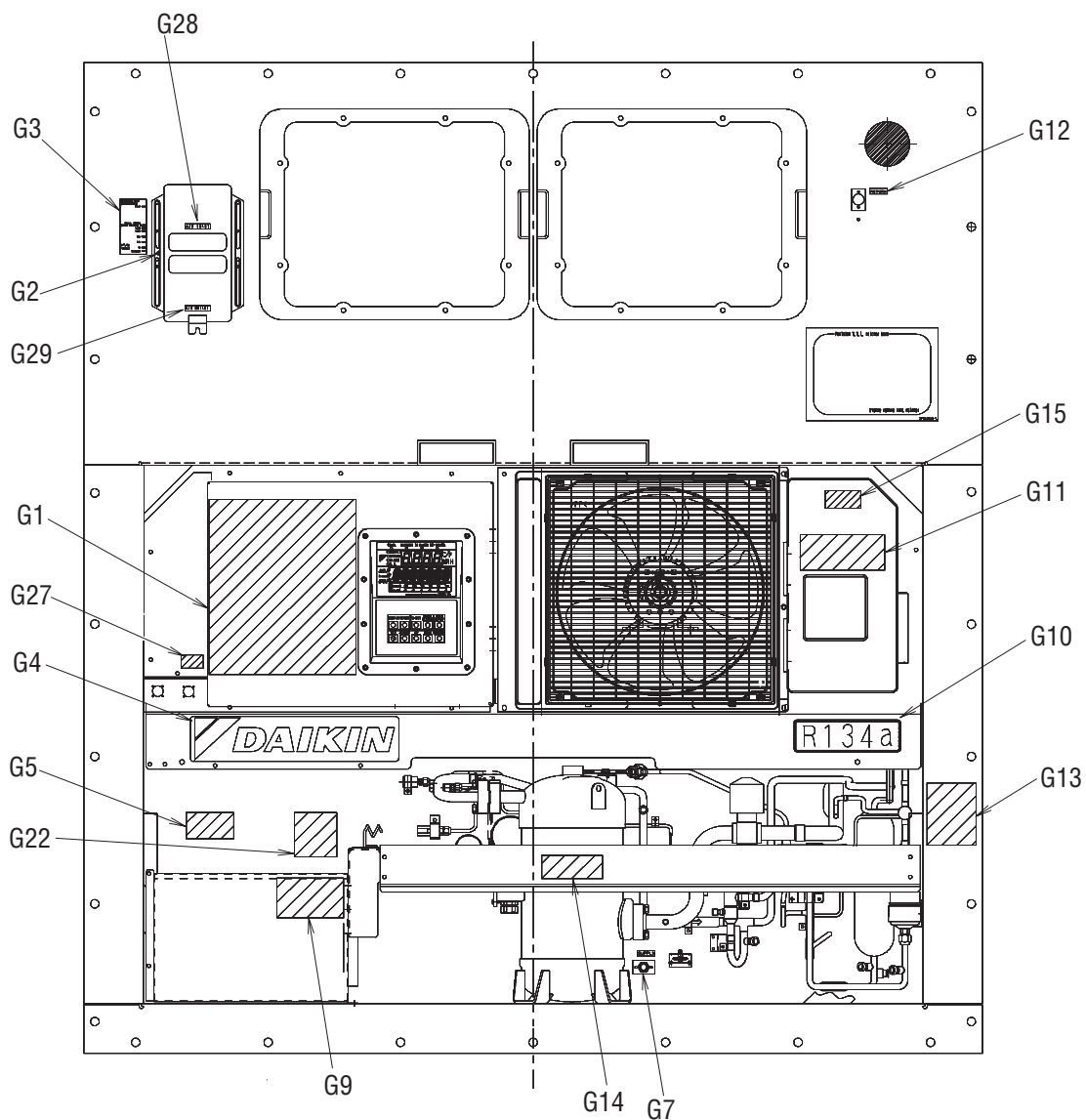
NO. 符号	INDEX	PARTS NO. 部品番号	PARTS NAME	部品名称	DWG. NO. 図面番号	TYPE SPECIFICATION 形式 仕様	QTY/UNIT		REMARKS 備考
							LXE10E- A9	A9R	
E46		1267015	Packing (side stay)	パッキン (サイドステー)	4P074127-1	BLACK	2	2	Page41
E52		1267053	Cushion rubber	緩衝ゴム	NE41013-4-140	L=140	1	1	Page40
E52		1584260	Cushion rubber	緩衝ゴム	NE41013-4-230		1	1	Page40
E54		1267060	Packing for prevention of air bypass	バイパス防止用パッキン	4P011733-1		2	2	Page41
E55		1267077	Packing for prevention of vibration	C A 前板ビビリ防止パッキン	4P050050-1		2	2	Page28
E57		1267091	Wiring protection bush	配線保護ブッシュ	4P023920-1	BLACK	2	2	Page34
E60		1267123	Thermal insulation tube piping	断熱筒配管緩衝材	4P011309-1		5	5	Page38, 39, 40
E61		1267130	EV outlet pipe insulation tube	膨張弁出口配管防露筒	4P079496-1		1	1	Page42
E63		1267154	Insulation tube evaporater header	蒸発器ヘッダー防露筒	4P073525-1		1	1	Page42
E64		1267161	Cushion material suction pipe (1)	吸入配管緩衝材 (1)	3P073468-1		1	1	Page42
E65		1267178	Cushion material suction pipe (2)	吸入配管緩衝材 (2)	3P073468-2		1	1	Page42
E66		1267224	Cushion material suction pipe (3)	吸入配管緩衝材 (3)	3P073468-3		1	1	Page42
E67		1267231	Cushion material suction pipe (4)	吸入配管緩衝材 (4)	3P073468-4		1	1	Page42
E68		1267248	Cushion material suction pipe (5)	吸入配管緩衝材 (5)	3P073468-5		1	1	Page42
E69		1267255	Thermal insulation tube	断熱筒 (吸入弁庫外側)	4P081186-1		1	1	Page42
E70		1267262	Thermal insulation tube	断熱筒 (圧縮機根元?吸入弁)	4P081187-1		1	1	Page42
E72		1267286	Thermal insulation tube	断熱筒配管緩衝材	4P011309-3		3	3	Page40
E73		1267293	Thermal insulation tube	断熱筒配管緩衝材	4P011309-4		3	3	Page38
E74		1497056	Tube cushion material	配管緩衝材	4PA50421-2		2	2	Page39
E75		1448371	Suction modulating valve insulation	吸入比例弁防熱材 (1)	2P079441-1		1	1	
E76		1267325	Thermal insulation tube (drain outlet)	断熱筒 (ドレン入口管防露筒)	4P067126-1		1	1	Page42
E77		1267332	Thermal insulation tube (heat ex. inlet)	断熱筒 (熱交入口管防露筒)	4P067127-1		1	1	Page42
E78		1267349	Tube cushion material	配管緩衝材	4PA50427-1		1	1	Page40
E79		0024640	Rubber bush	ゴムブッシュ	R3713279-3		2	2	Page38
E80		1267356	Rubber bush	ゴムブッシュ	R3713279-4		1	1	Page38
E81		1267363	Rubber bush	ゴムブッシュ	R3713279-16		3	3	Page40
E82		1267370	Rubber bush	ゴムブッシュ	R3713279-2		2	2	Page38
E83		1267387	U-packing	UP字形パッキン	NA40014-4-500	L=500	1	1	Page38
E84	B	1267394	Heat shrinkable tube	熱収縮チューブ	4PA60531-2		2	2	Page39
E85	B	1267402	Heat shrinkable tube	熱収縮チューブ	4P074613-1	BLACK I.D. φ26.1, t0.4	1	1	Page38
E86	B	1270453	Heat shrinkable tube	熱収縮チューブ	4P075241-1		1	1	Page39
E87	B	1497070	Thermal insulation tape	不乾性形断熱テープ	3SA90101-3-KA		2	2	Page39
E88		1270477	Protection plate, solenoid valve	保護板	4P082209-1		1	1	Page39
E89		1270484	Mounting plate, solenoid valve	取付板	4P082208-1		1	1	Page39
E90		1381012	Protection rubber	保護ゴム	4PA43128-1		7	7	Page39
E91		1448388	Suction flange	吸入フランジシール材	4P083248-1		1	1	Page38



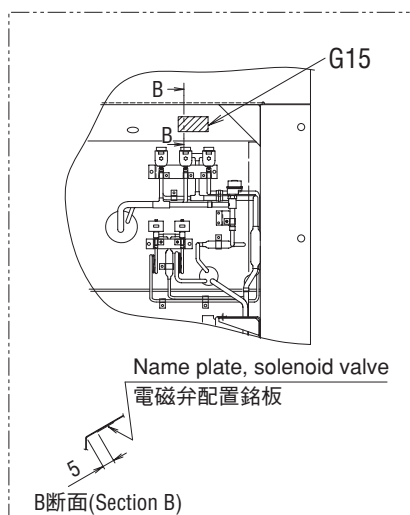


NO. 符号	INDEX	PARTS NO. 部品番号	PARTS NAME	部品名称	DWG. NO. 図面番号	TYPE SPECIFICATION 形式 仕様	QTY/UNIT		REMARKS 備考
							LXE10E- A9	A9R	
F1		844022	Plain washer	平座金	4SK07005-12		4	4	
F2	B	1623451	Monitoring receptacle	モニタリングレセプタクル本体	3P044703-1-KI		1	1	
F3	C	1136407	Hinge (recorder/box cover)	平蝶番 (レコーダボックス蓋)	4P021346-1		1	1	
F4		1136414	Patch plate nut	当板ナット	4P044898-2		2	2	
F6		1295522	Control box welding ass'y	C. BOX溶接組立品	2P085110-1		1	1	
F7	C	1626001	Control box ass'y	コントロールボックス蓋組立品	2P085317-4		1	1	
F7-1		1136407	Hinge (recorder/box cover)	平蝶番 (レコーダボックス蓋)	4P021346-1		2	2	
F7-2		1136414	Patch plate nut	当板ナット	4P044898-2		2	2	
F7-3		0907093	Roller, quick lock lever	ワンタッチ金具用ローラ	4PA51277-1		1	1	
F7-4		1295546	Control box cover welding ass'y	コントロールボックス蓋溶接組立品	3P085038-1		1	1	Refer to Page66
F7-5		1267457	Operation display cover	操作表示カバー	3P078251-1	t1.0	1	1	
F7-6	A	1010815	Display board	表示基板	2P010368-2		1	1	
F7-7		1381081	Rubber gasket	ゴムガスケット (C. BOX蓋用パッキン)	4P085198-1		1	1	Refer to Page66
F7-8	A	1256224	Control panel (with sheet key)	コントロールパネル (シートキー付)	3P035564-4		1	1	
F7-9		1128949	Packing	パッキン (樹脂パネル)	3P030317-1		1	1	
F13		1136539	Clamp	クランプ金具	4P015574-2		1	1	
F16-1		0907062	Seal washer	シール座金 (ボンテッド座金)	4PA21941-5		10	10	
F16-2		1267488	Pan head machine screw	アプセット小ネジ	4P067677-1	M5×16	10	10	
E17		1387197	Set plate (1)	機器取付板 (1)	2P095432-1		1	1	
F18		1267503	Set plate (2)	機器取付板 (2)	2P078296-1	t1.2	1	1	
F19		1549870	Mounting plate	端子台基板取付板	3P092019-1		1	1	
F20		1411689	PC port fixing plate	パソコンポート固定板	4P064646-1		1	1	
F21		1241138	Fixing plate, battery	固定板 (電池)	4P010920-1		1	1	
F22	A	1198931	Magnetic contactor (for Fans)	電磁接触器 (ファン用)	3P055568-1	24V PAK-6J31C	3	3	
F23	A	1241493	Magnetic contactor (Phase correction contactor)	相順切換電磁接触器 (PCC)	3P071508-3	24V RSK-35J	1	1	
F24	A	1198917	Magnetic contactor (Compressor)	電磁接触器 (圧縮機)	3P055566-1	24V PAK35J-S536	1	1	
F25	A	1387205	Low frequency transformer	低周波変圧器	3P081584-1		1	1	
F26	C	0991531	PC port connector	パソコンポートコネクタ	3P010803-1		1	1	
F27	A	1381120	Earth leakage circuit breaker	漏電遮断器	3P093326-1		1	1	
F28	C	1141144	Contact, receptacle	コンタクト、レセプタクル用	3P010806-1	HD10	3	3	
F29		1267541	Cover ass'y, PC port	パソコンポートカバー組立品	3P010743-1		1	1	
F30	A	0954633	PT/CT board	P T / C T ボード	2P010906-3		1	1	
F31	A	1256116	Terminal strip board	端子台基板	2P078284-1		1	1	
F31-1	A	0030652	Fuse, controller	制御用ヒューズ	4SA42006-4	250V 10A	6	6	
F33	A	0329679	Reverse phase protector	逆相保護装置 (RPP)	3SA42153-1	346-440V	1	1	
F34	A	1327669	Controller assemblies	コントローラ組立品	3P065573-5		1	1	
F34-1	A	1327652	PCB ass'y	プリント基板組立品	2P065387-3		1	1	
F34-2	A	0954594	I/O board	I / O ボード	2P010367-1		1	1	
F34-3		1267558	Bottom plate, controller	コントローラ底板	2P049529-2	t1.2	1	1	
F34-4	B	1295584	Controller cover	蓋 (コントローラ)	2P085424-1	t1.2	1	1	

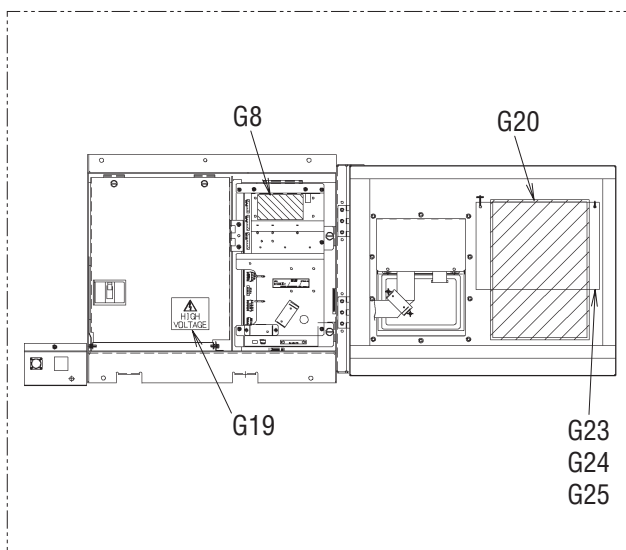
NO. 符号	INDEX	PARTS NO. 部品番号	PARTS NAME	部品名称	DWG. NO. 図面番号	TYPE SPECIFICATION 形式 仕様	QTY/UNIT		REMARKS 備考
							LXE10E-		
							A9	A9R	
F34-5		1099940	Support bushing, PCB	プリント基板サポートブッシュ	MI49531-11		14	14	
F34-6		1099957	Support color, PCB	プリント基板サポートカラー	MI49531-13		14	14	
F34-7		1267572	Rubber transistor	放熱用ゴムトランジスタ	4P005330-1		2	2	
F34-8	A	1250783	PC board for suction modulating valve	プリント基板組立品 (吸入制御弁用)	3P065441-1	EC0058	1	1	
F34-8-1	A	0445432	Fuse, controller	制御用ヒューズ	4SA42006-3	250V 5A	1	1	
F34-9		1267596	Locking wire saddle	ロッキングワイヤサドル	4P015570-2	LWS	3	3	
F34-10		1267604	Flat cable clamp	フラットケーブルクランプスナップタイプ	4P015573-1		1	1	
F34-11		1136539	Clamp	クランプ金具	4P015574-2		1	1	
F34-12		1267611	Speed bolt	スピードボルト (M6)	4P048680-3	M6×20 (S)	2	2	
F34-13		860005	Washer, speed bolt	スピードボルト用座金	R4713334		4	4	
F34-14		840002	Drop out prevention washer	脱落防止座金	R4718607-6		2	2	
F35		1267628	Wire (wire ground)	電線 (電線グラウンド)	4P067662-1		1	1	
F36		1267635	Wire (wire ground)	電線 (電線グラウンド)	4P067663-1		4	4	
F37		1267642	Flexible tube connector	フレキシブル管用コネクタ	4P010926-6		2	2	
F38		1267659	Flexible wire tube	フレキシブル電線管	3P010927-62		2	2	
F39		1267666	Quick fastener	クイックファスナー	4P064642-1		2	2	
F40		860015	Universal nut	自在ナット	R4713188-1		2	2	
F42		833302	Nylon nut	ナイロンナット	R4716460-1	M4	3	3	
F43		1267680	Vinyl tube	ビニールチューブ	4P044312-1	TRANSPARENT	1	1	
F44		1099940	Support bushing, PCB	プリント基板サポートブッシュ	MI49531-11		7	7	
F45		1099957	Support color, PCB	プリント基板サポートカラー	MI49531-13		7	7	
F46		981616	Locking card spacer	ロッキングカードスペーサー	R3428091-3	KGLS-8S	4	4	
F47		1267697	Cushion rubber	緩衝ゴム電池用	4P015624-1		1	1	
F48		1326820	Packing (C.BOX front plate)	パッキン (C. BOX 前板)	4P085513-1		1	1	
F49		1136539	Clamp	クランプ金具	4P015574-2		2	2	
F50		1267712	Clamp	クランプ金具	3P049495-1		1	1	
F57		1267774	Set plate (PT/CT board)	機器取付板 (PT/CT ボード)	3P071688-1	t1.6	1	1	
F58		1267781	Mounting plate, elect components	電装品取付板	4P064227-1	t=1.2	1	1	
F59		1267798	Set plate (breaker)	機器取付板 (ブレーカ)	3P064278-1	t=2.3	1	1	
F60	C	1267806	Cap, monitoring receptacle	モニタリングレセプタクルキャップ	3P044703-1-KA		1	1	
F63		1295630	Lever	ワンタッチ金具	4P085171-1		1	1	
F64		1295647	Fixing plate for lever	ワンタッチ金具取付板	4P085164-1		1	1	
F65		0907125	Sealed sheet	絶縁シート (ワンタッチ金具)	4PA52417-1	t0.075±0.01	1	1	
F66		0907132	Sealed sheet	絶縁シート (ワンタッチ金具)	4PA52417-2	t0.075±0.01	1	1	
F67		833301	Nut	ナイロンナット	R4716460-3	M6	3	3	



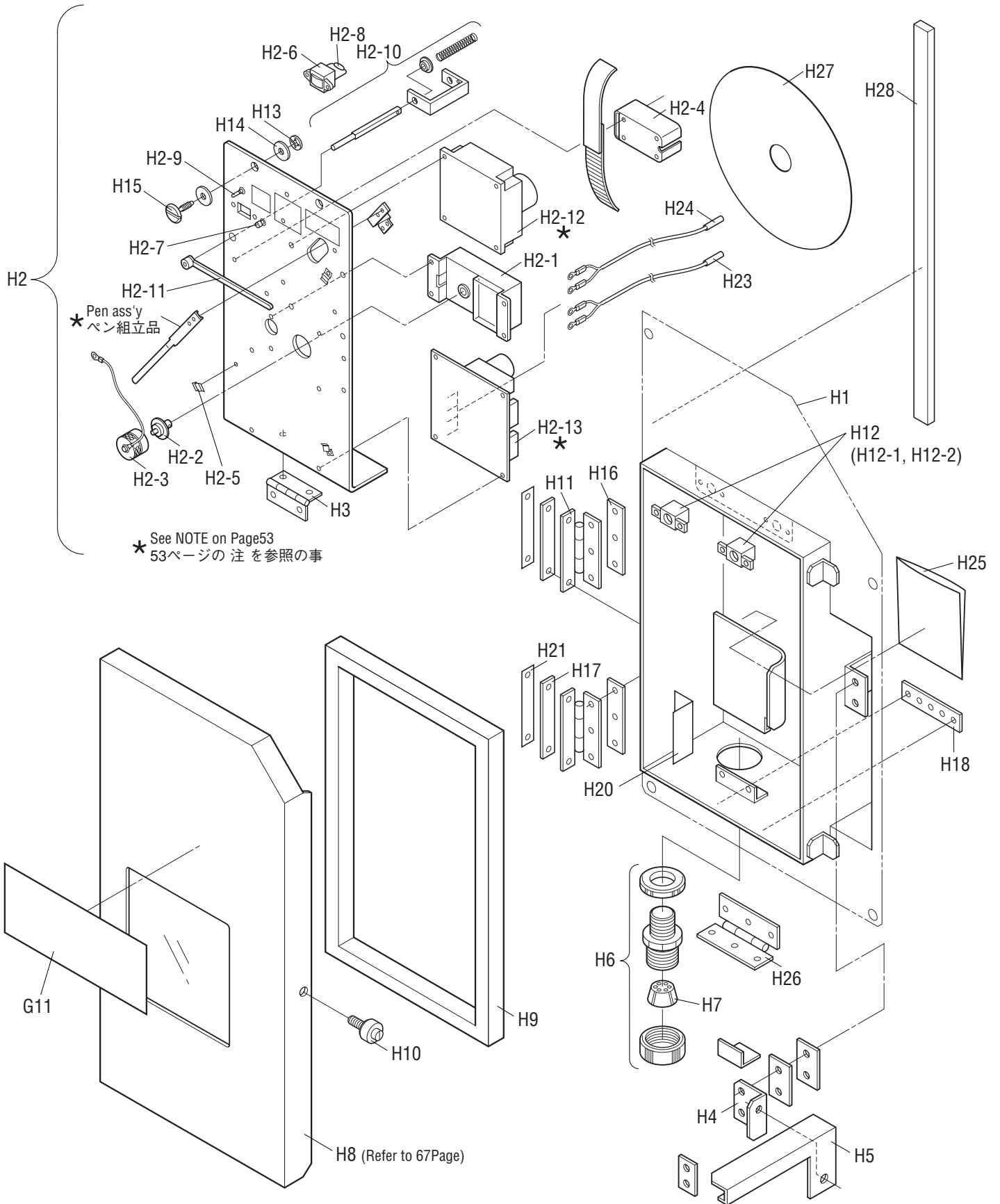
電磁弁配置銘板貼付位置詳細
(Detail location of nameplate, solenoid valve)



コントロールボックス内部 (Inside of Control Box)



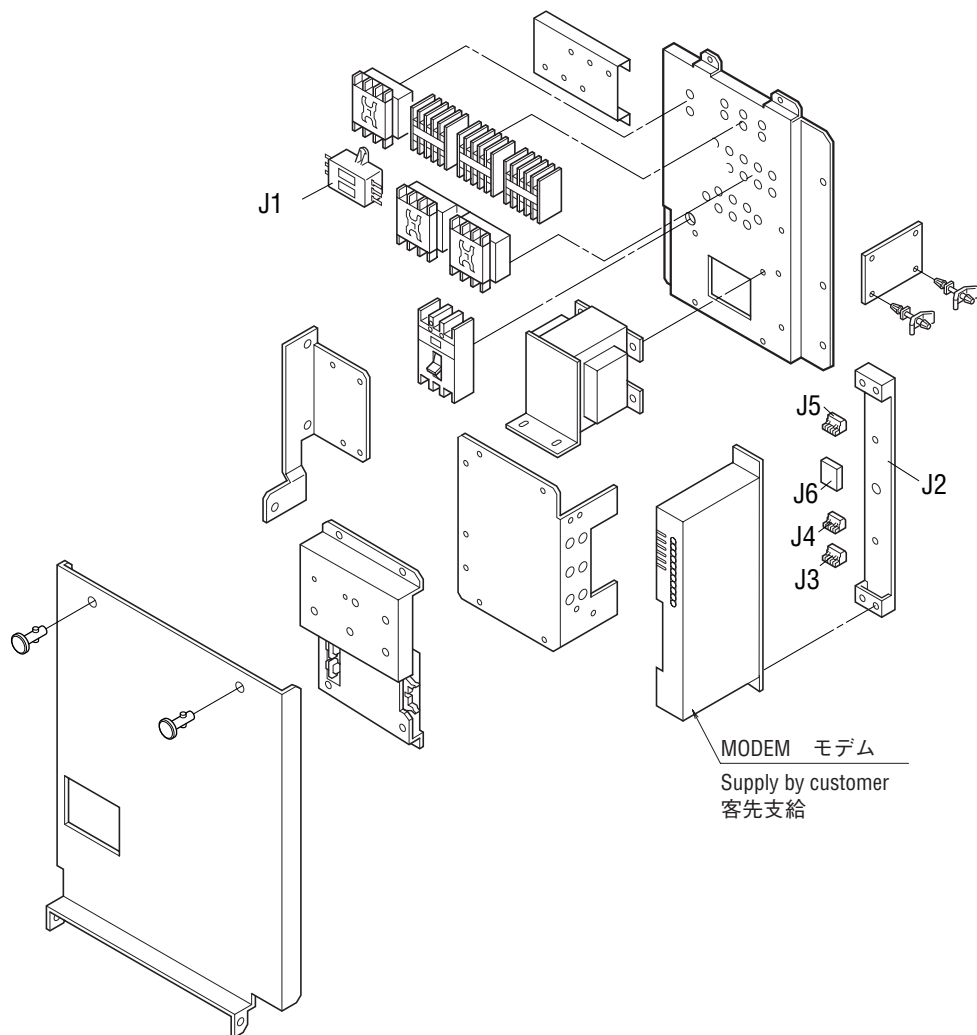
NO. 符号	INDEX	PARTS NO. 部品番号	PARTS NAME	部品名称	DWG. NO. 図面番号	TYPE SPECIFICATION 形式 仕様	QTY/UNIT		REMARKS 備考
							LXE10E-		
							A9	A9R	
G1		1409136	Name plate, operation	操作銘板	1P099989-1		1	1	Refer to Page66
G2		1267952	Name plate, ventilator arrow	ベンチレータ矢印銘板	4P018502-1		1	1	
G3		1549926	Ventilator name plate	換気口銘板 (パンチング仕様)	4P099990-1		1	1	
G4		1306530	Brand name label	意匠銘板	4P085985-1		1	1	Refer to Page67
G5		1267983	Name plate, unit performance	機械銘板	3P066701-1	English	1	1	
G7		1268001	Name plate, supply	指示銘板 (SUPPLY銘板)	4PA55459-2	English	1	1	
G8		1327157	Location fuse label	ヒューズ位置銘板	4P090545-1		1	1	
G9		1316676	Operation, cable clamp	ケーブルクランプ操作銘板	3P062812-1		1	1	
G10		1178843	Name plate, refrigerant	冷媒銘板	3P009750-1		1	1	Refer to Page67
G11		1295661	REC/box nameplate	レコーダボックス銘板1	3P065731-1		1	1	Refer to Page67
G12		1268133	Name plate, return	指示銘板 (RETURN銘板)	4PA55459-1	English	1	1	
G13		1270516	Name plate, additional defrigerant charge	冷媒追加充填銘板	3P084351-1	English/Japanese	1	1	
G14		1326952	Caution label, compressor frost	圧縮機着霜注意銘板	3P090409-1		1	1	
G15		1268157	Name plate, solenoid values	電磁弁配置銘板	4P082158-1	English	1	1	
G19		1181267	Caution label, high voltage	高電圧注意銘板	4P010095-1	English	1	1	
G20		1327140	Name plate, electric wiring diagram	電気配線図銘板	2D035070-1		1		
G20		1626018	Name plate, electric wiring diagram	電気配線図銘板	2VA14316-1			1	
G22		1381409	Caution label	フロン回収・破壊法対応銘板 (HFC用)	3P086874-1		1	1	
G23		1326914	indication card (Japanese)	インストラクションカード (和文)	3P090106-1		1	1	
G24		1326921	indication card (English)	インストラクションカード (英文)	3P090108-1		1	1	
G25		1326938	indication card (Chinese)	インストラクションカード (中文)	3P090110-1		1	1	
G26		1372498	INST. Card (emergency & service port)	インストラクションカード (エマージェンシー&サービスポート)	3P092354-1		1	1	
G27		1485844	PCT label	PCT銘板	4P094866-1		1	1	
G28		1327126	indication label, AIR INLET	AIR INLET銘板	4PA65299-1		1	1	
G29		1327133	indication label, AIR OUTLET	AIR OUTLET銘板	4PA65299-2		1	1	



NO. 符号	INDEX	PARTS NO. 部品番号	PARTS NAME	部品名称	DWG. NO. 図面番号	TYPE SPECIFICATION 形式 仕様	QTY/UNIT		REMARKS 備考
							LXE10E-		
							A9	A9R	
H1	A	1273173	Recorder box ass'y for welding	レコーダ B O X 溶接組立図	2P048643-5		1	1	
H2		1267820	Temperature recorder	温度記録計	2P021722-10		1	1	
H2-1	B	0143495	Quartz motor	クォーツ時計	3PA20194-2		1	1	
H2-2	B		Shaft, chart	チャート軸受け		4-E4191P1 BS	1	1	
H2-3		0037855	Chart stopper ass'y	チャート押さえ組立	4PA20211-1	A5052BP	1	1	
H2-4			Battery holder	電池ホルダー		4-E4374C1 ABS樹脂6Z680	1	1	
H2-5			Holder	ホルダー		RH14	3	3	
H2-6	B		Indicator	メーター		4-E6827P1 MODEL250	(1)	(1)	
H2-7	B		Push button switch	押しボタンスイッチ		4-E4777C1	(1)	(1)	
H2-8	B		Resistor	抵抗		TS60E-B3.9K	(1)	(1)	
H2-9	B		Toggle switch	トグルスイッチ		M2018G	(1)	(1)	
H2-10			Stopper	ストッパー		4-E4752C1	1	1	
H2-11	C		Lever	レバー		4-E4161C1 SUS27	1	1	
H2-12	B		Servo unit	サーボユニット		3-C5575C3	1	1	
H2-13	B		PC board ass'y	プリント基板組立品		3-C7505C1	1	1	
<p>Note: The recording-pen assembly, H2-12 servo-unit and H2-13 PCB assembly have been adjusted in the factory as one set. Accordingly, individual assembly can not be adjusted separately. When any component in those assembly should faulty, replace the entire H2 temperature recorder as a set.</p> <p>注：ペン組立品、H2-12(サーボユニット)及びH2-13(プリント基板組立品)は、一体で工場にて調整されています。従って、現地での単体での調整は不可能です。この部品が不具合の場合は、H2の温度記録計一式で交換してください。</p>									
H3		1136104	Hinge	平蝶番	4P043349-1		1	1	
H4		1267837	Mounting plate, quick lock lever	ワンタッチ金具取付板	4P067761-1		1	1	
H5		1136111	Quick lock lever	ワンタッチ金具	4P043377-1		1	1	
H6		0773771	Cable gland	電線グランド	3PA37599-10	SCL-22B	1	1	
H7		1267844	Grand rubber bush	グランドゴムブッシュ	4P032156-1		1	1	
H8		1295724	Cover (recorder)	蓋 (レコーダ)	1P054302-2		1	1	Refer to Page67
H9		1267868	Packing (recorder cover)	パッキン (蓋)	4P063866-1		1	1	Refer to Page67
H10		1267875	Roller	ワンタッチ金具用ローラ	3P054321-1		1	1	
H11		1136096	Hinge, cover	蓋締付蝶番	4P043069-1		2	2	
H12		860015	Universal nut	自在ナット	R4713188-1		2	2	
H12-1			Body	本体	R4713188-1-KA		2	2	
H12-2			Plate nut	プレートナット	R4713188-1-KI		2	2	
H13		840002	Drop out prevention washer	脱落防止座金	R4718607-6		2	2	
H14		860005	Washer, speed bolt	スピードボルト用座金	R4713334		4	4	
H15		1267611	Speed bolt	スピードボルト (M6)	4P048680-3	M6×20 (S)	2	2	
H16		874014	Patch plate nut	当板ナット	R3715992-33		2	2	
H17		1267899	Patch plate nut	当板ナット	4P066242-1		2	2	
H18		1136414	Patch plate nut	当板ナット	4P044898-2		1	1	
H20		1267907	Sealing material	シール材	4P049613-1		1	1	
H21		1267914	Insulation sheet	絶縁シート	4P066250-1	t0.075±0.01	2	2	
H22		833301	Nut	ナイロンナット	R4716460-3	M6	1	1	

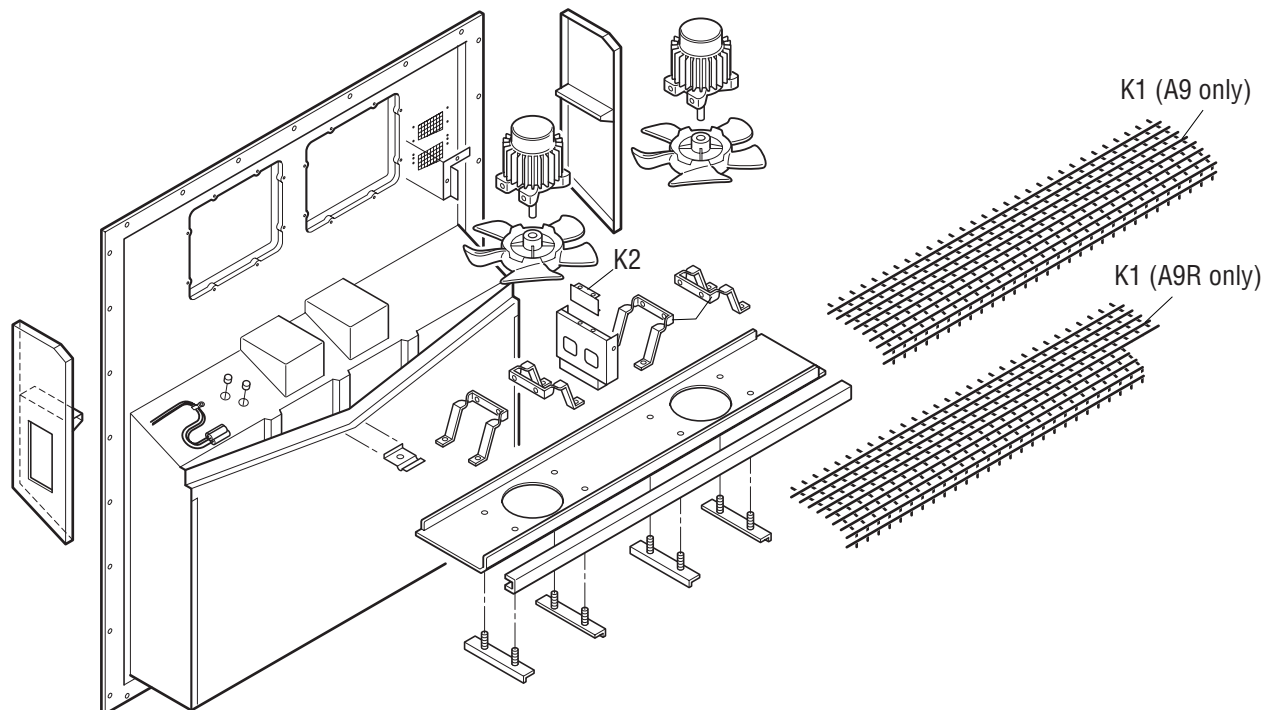
● When ordering the parts whose No. are not shown in the PARTS NO. column, be sure to describe DWG. NO..

● 部品番号欄が空白になっている部品は、図面番号で、指示願います。



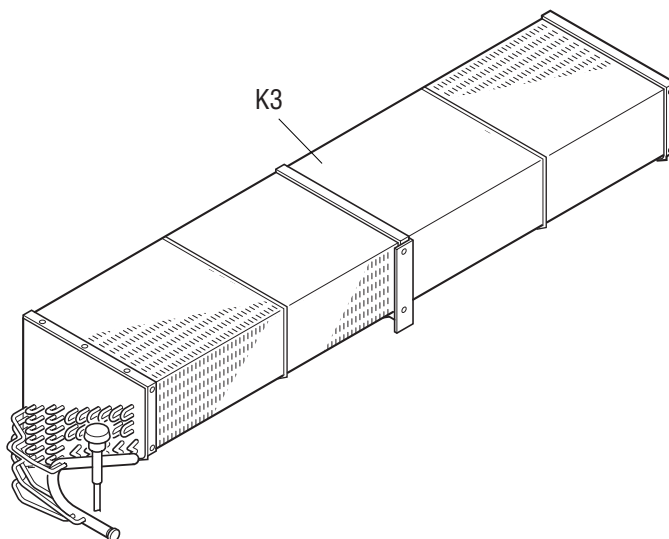
1. Indoor fan guard

1. 庫内ファンガード

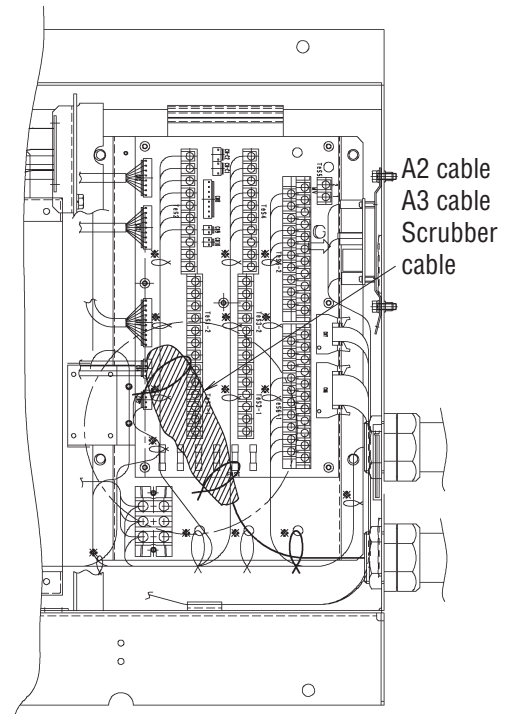
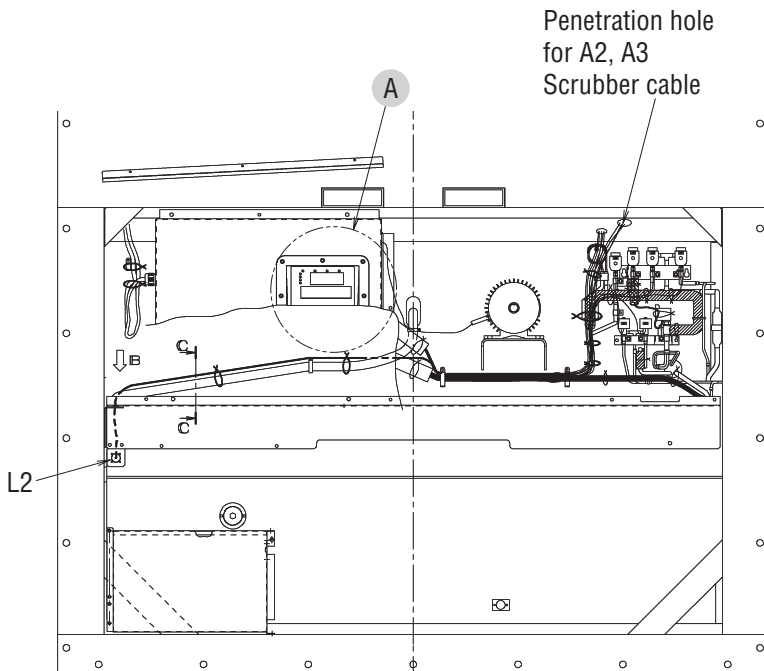
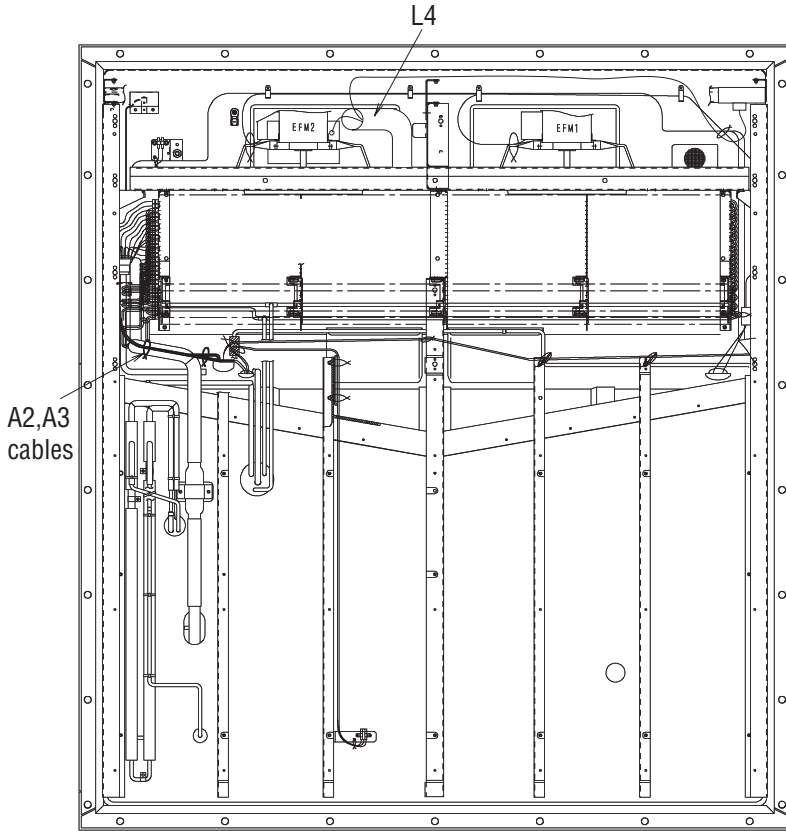
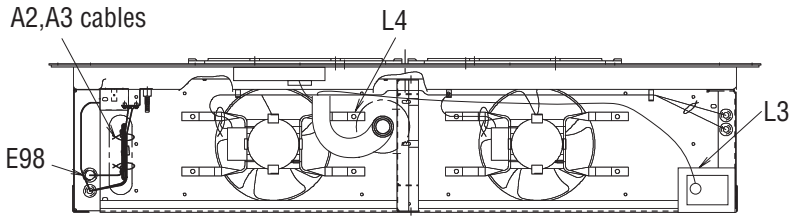


2. Evaporator coil

2. 蒸発器コイル組立品

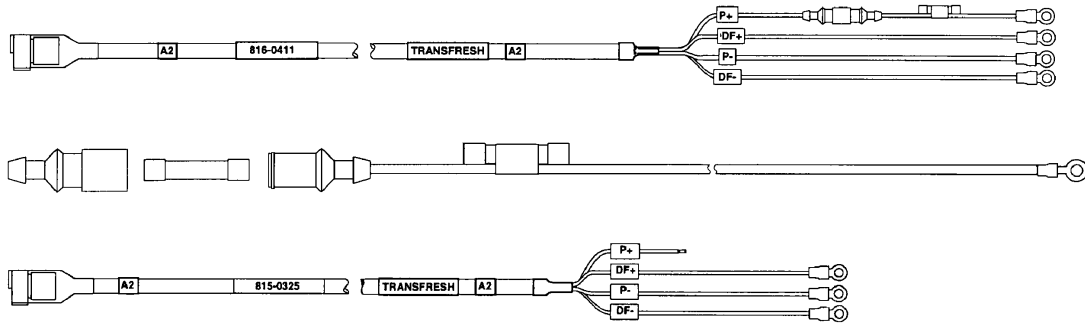


Parts related with option 4 – TRANS – FLESH (Applicable to LXE10E-A9R only)
 オプション関連部品 4 – トランス・フレッシュ (LXE10E-A9Rのみ適用)

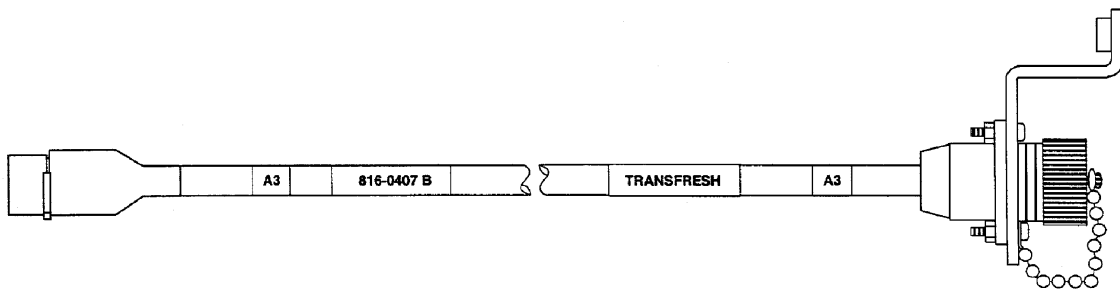


A内部詳細 (Detail of inside A)

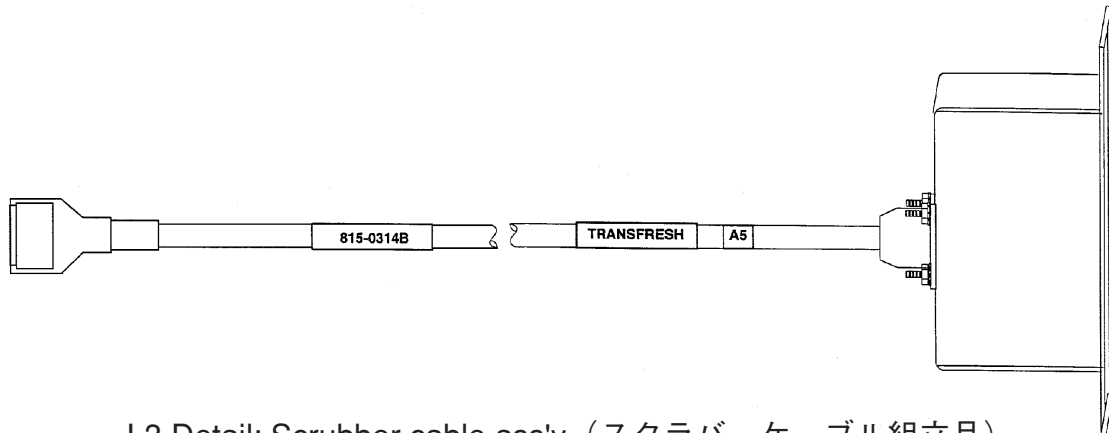
NO. 符号	INDEX	PARTS NO. 部品番号	PARTS NAME	部品名称	DWG. NO. 図面番号	TYPE SPECIFICATION 形式 仕様	QTY/UNIT		REMARKS 備考
							LXE10E-		
							A9	A9R	
L1		1584347	A2 cable ass'y	A2ケーブル組立品+防水キャップ	1P039618-1			1	
L2		1584354	A3 cable ass'y	A3ケーブル組立品+防水キャップ仕様	2P039619-1			1	
L3		1626032	Scrubber cable ass'y	スクラバーケーブル組立品	2P039616-1			1	
L4		1626049	Hose	ホース	2P039624-1			1	
L5		1267356	Rubber bush	ゴムブッシュ	R3713279-16			1	
A4a		1516111	Access panel ass'y	サービス扉組立品	2P012404-2			1	Refer to Page28
A4a-1		1625938	Container box, Trans fresh	トランスフレッシュ収納箱	2P039569-1			1	Refer to Page28
A4a-2		1625945	Aluminium flange	アルミフランジ	2P039614-1			1	Refer to Page28
A38		1584152	Single purge port ass'y	シングルパージポート組立品	3P039625-1				Refer to Page28
C7		1625952	Casing frame, evaporator (left)	蒸発器枠 (1)	2P101802-1			1	Refer to Page34
C8		1625969	Casing frame, evaporator (right)	蒸発器枠 (2)	2P101802-2			1	Refer to Page34
C12		1625976	Fan guide ass'y	ファンガイド組立品	2P089213-2			1	Refer to Page34



L1 Detail: A2 Cable ass'y (A2 ケーブル組立品)

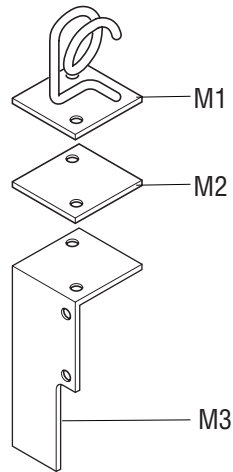
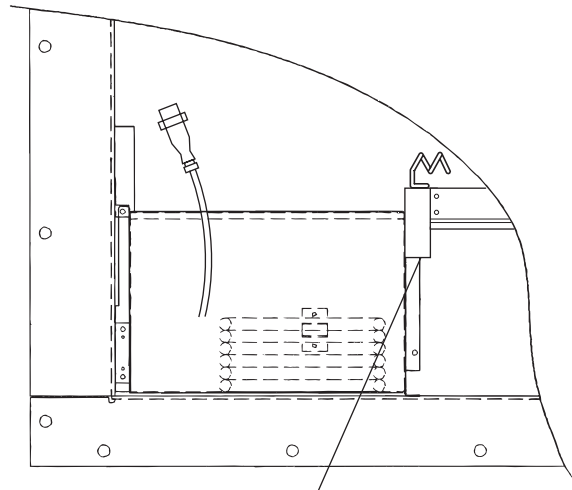


L2 Detail: A3 Cable ass'y (A3 ケーブル組立品)



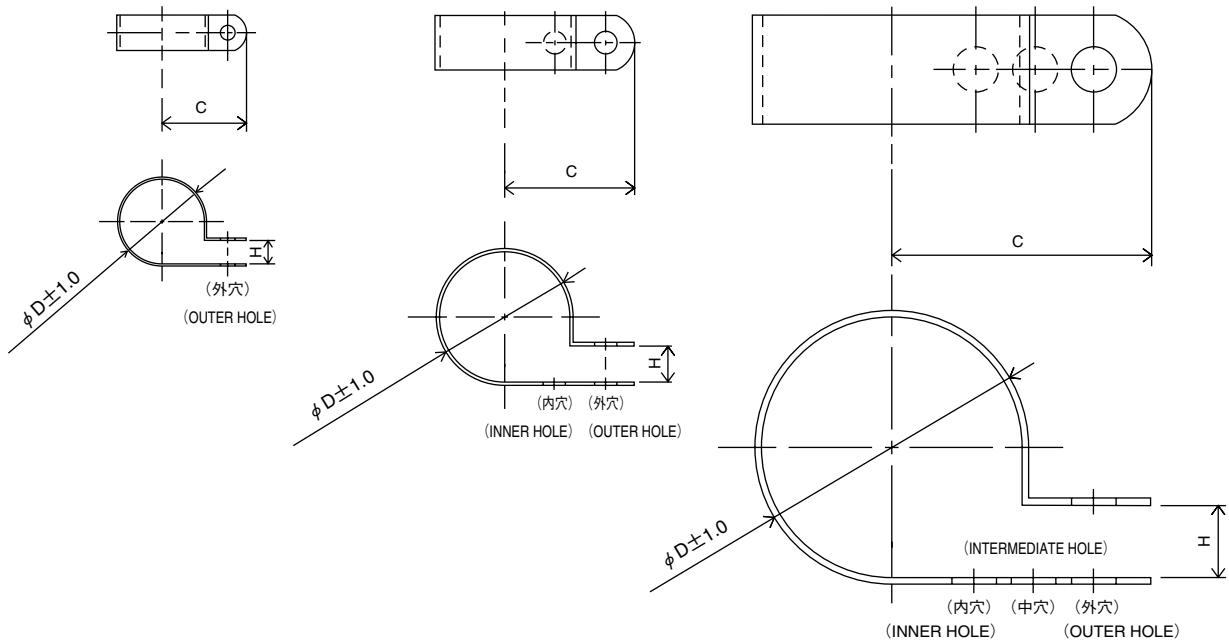
L3 Detail: Scrubber cable ass'y (スクラバーケーブル組立品)

ケーブルクランプ (Cable clamp)



1. Resin clamp

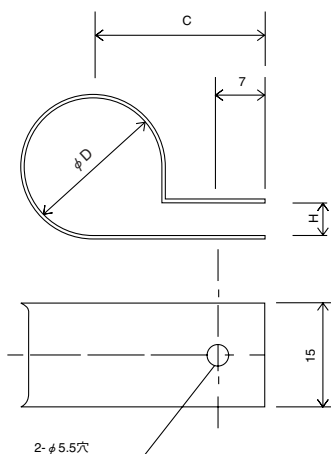
1. 樹脂バンド



NO. 符号	PARTS NO. 部品番号	PARTS NAME	部品名称	DWG NO. 図面番号	SIZE サイズ			QTY 使用個数
					D	C	H	
E9	0118273	Resin clamp	樹脂バンド	NE41015-2	6.8	15.8	4.8	4
E10	1222764	Resin clamp	樹脂バンド	NE41015-9	26.9	27.8	7.9	1
E11	0944528	Resin clamp	樹脂バンド	NE41015-7	19.8	24.6	7.9	2
E12	0142492	Resin clamp	樹脂バンド	NE41015-10	29.2	29.4	7.9	2
E13	1266788	Resin clamp	樹脂バンド	NE41015-12	39.4	34.2	9.5	4

2. Tube clamp

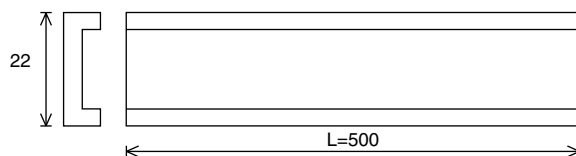
2. 管止金



NO. 符号	PARTS NO. 部品番号	PARTS NAME	部品名称	DWG NO. 図面番号	SIZE サイズ			QTY 使用個数
					D	C	H	
E6	1270439	Tube clamp	管止金	NE31016-61	30	30	5	2
E15	0782775	Tube clamp	管止め金	NE31016-51	10	20	3	6
E16	0702382	Tube clamp	管止め金	NE31016-52	12	21	3	6
E17	0414421	Tube clamp	管止め金	NE31016-53	14	22	3	2
E18	0700090	Tube clamp	管止め金	NE31016-54	16	23	4	1
E19	1266795	Tube clamp	管止め金	NE31016-55	18	24	5	1
E20	0016290	Tube clamp	管止め金	NE31016-56	20	25	5	3
E21	1266803	Tube clamp	管止め金	NE31016-70	8.5	20	1	7
E22	1266810	Tube clamp	管止め金	NE31016-57	22	26	5	1
E27	1266858	Tube clamp	管止め金	NE31016-59	26	28	5	1
E29	1266865	Tube clamp	管止め金	NE31016-60	28	29	5	1

3. Cushion rubber for pipe clamp

3. 管止金用緩衝ゴム



NO. 符号	PARTS NO. 部品番号	PARTS NAME	部品名称	DWG NO. 図面番号	REMARKS 備考
E35	1266911	Cushion rubber	管止金用緩衝ゴム	NE41013-3-500	Cut to suit pipe size. 配管サイズに合わせて切って使用のこと

1. Parts recommended to be ordered together with packing, gasket, sealing material and name plate
1. 発注の際にパッキングやシール材、銘板等の同時発注を推奨する部品

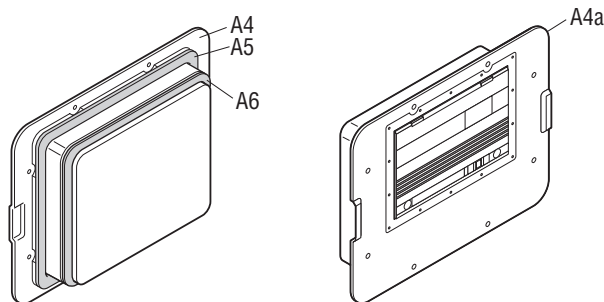
For ordering following spare parts, we recommend that you order the following packing, gasket, sealing material and name plate together at the same time.

上記のサービス扉やボックスカバーを発注の際には、下記のパッキングを同時に発注することをおすすめします。

(1) Service door

(1) サービス扉

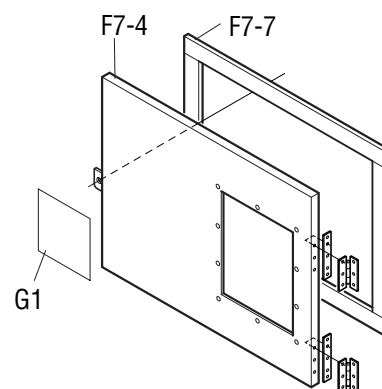
NO. 符号	PARTS NO. 部品番号	PARTS NAME	部品名称	DWG NO. 図面番号	QTY		REMARKS 備考
					LXE10E-		
					A9	A9R	
A4	0980423	Access panel ass'y	サービス扉組立品	1P006678-1	2	1	(Without cushion and sealing material) (クッション材、シール材なし)
A4a	1516111	Access panel ass'y (Modified)	サービス扉組立品 (改造品)	2P012404-2		1	With TRANS FLESH
A5	1266207	Cushion material	クッション材	3P033608-1	2	2	
A6	1196113	Sealing material	シール材	3P001640-1	2	2	



(2) Control box cover

(2) コントロールボックスカバー

NO. 符号	PARTS NO. 部品番号	PARTS NAME	部品名称	DWG NO. 図面番号
F7-4	1295546	Control box cover welding ass'y	コントロールボ クス蓋溶接組立品	3P085038-1
F7-7	1381081	Rubber gasket	ゴムガスケット (C. BOX蓋用パッキン)	4P085198-1
G1	1409136	Name plate, operation	操作銘板	1P099989-1



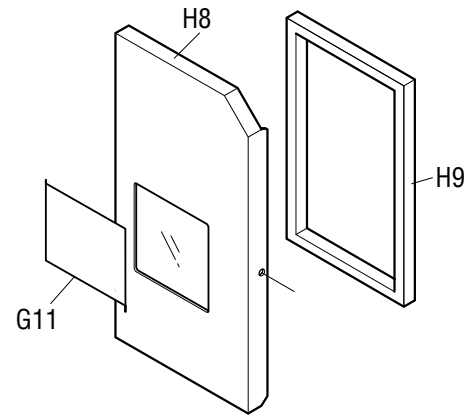
※Wiring diagram name plate is different by model.

※電気配線図銘板は機種により異なります。

(3) Recorder box cover (Option)

(3) レコーダボックスカバー (オプション)

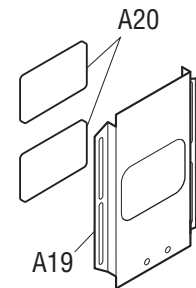
NO. 符号	PARTS NO. 部品番号	PARTS NAME	部品名称	DWG NO. 図面番号
H8	1295724	Cover (recorder)	蓋 (レコーダ)	1P054302-2
H9	1267868	Packing (recorder cover)	パッキン (蓋)	4P063866-1
G11	1295661	REC/box nameplate	レコーダボックス銘板 1	3P065731-1



(4) Ventilation cover

(4) 換気口蓋

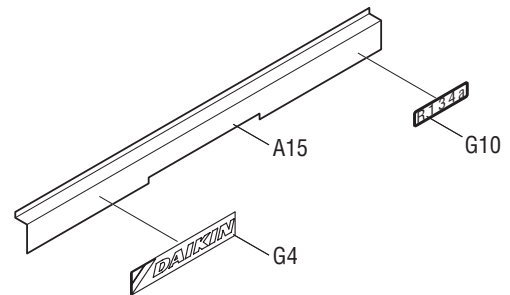
NO. 符号	PARTS NO. 部品番号	PARTS NAME	部品名称	DWG NO. 図面番号
A19	1266120	Ventilation cover	換気口蓋	3P067053-1
A20	1266221	Sealing material (access panel)	シール材 (換気口)	4P016185-1



(5) Front plate (CA)

(5) 前板 (CA)

NO. 符号	PARTS NO. 部品番号	PARTS NAME	部品名称	DWG NO. 図面番号
A15	1266168	FRONT PLATE (CA)	前板 (C A)	2P061345-2
G4	1306530	Brand name label	意匠銘板	4P085985-1
G10	1178843	Name plate, refrigerant	冷媒銘板	3P009750-1



2. Order for motorized valve, solenoid valve and pressure regulating valve

2. 電動弁・電磁弁・圧力調整弁の発注

Refer to the following table for the name, main body, solenoid coil and ass'y of solenoid valves etc. applied to this model.

この機種に使用されている電磁弁等の名称と本体・コイル・組立品は下記のとおりです。

	Body/Coil 本体/コイル	NO. 符号	PARTS NO. 部品番号	PARTS NAME	部品名称	DWG NO. 図面番号	Common Parts 共通部品		
1.EV	本体 Body	B7-3	1256495	Electronic expansion valve body	電子膨張弁本体	2SA50010-2-KU			
	コイル Coil	B20	KD93001	Electronic expansion valve coil	電子膨張弁コイル	2P010454-1			
2.HSV	本体 Body	B7-4	0944566	Hot gas solenoid valve body	ホットガス電磁弁本体	R3305118-1	○		
	コイル Coil	B7-5	1266290	Hot gas solenoid valve coil	ホットガス電磁弁コイル	3P010453-2			○
3.DSV	本体 Body	B7-4	0944566	Defrost bypass solenoid valve body	デフロストバイパス電磁弁本体	R3305118-1	○		
	コイル Coil	B7-5	1266290	Defrost bypass solenoid valve coil	デフロストバイパス電磁弁コイル	3P010453-2			○
4.BSV	本体 Body	B7-4	0944566	Gas bypass solenoid valve body	ガスバイパス電磁弁本体	R3305118-1	○		
	コイル Coil	B7-5	1266290	Gas bypass solenoid valve coil	ガスバイパス電磁弁コイル	3P010453-2			○
5.ESV	本体 Body	B7-6	0088738	Economizer solenoid valve body	エコノマイザー電磁弁本体	R3305099-1-KI		○	
	コイル Coil	B7-5	1266290	Economizer solenoid valve coil	エコノマイザー電磁弁コイル	3P010453-2			○
6.ISV	本体 Body	B7-6	0088738	Injection solenoid valve body	インジェクション電磁弁本体	R3305099-1-KI		○	
	コイル Coil	B7-5	1266290	Injection solenoid valve coil	インジェクション電磁弁コイル	3P010453-2			○
7.LSV	本体 Body	B4-5	0944566	Liquid solenoid valve body	液電磁弁本体	R3305118-1	○		
	コイル Coil	B4-6	0955287	Liquid solenoid valve coil	液電磁弁コイル	3P010453-1			○
8.SMV	組立品 Ass'y	B8-1	1254538	Suction modulating Valve	吸入比例弁組立品	2P078385-1			Note 1 注 1
9.DPR	組立品 Ass'y	B3-4	1241361	Discharge pressure regulating valve	吐出圧力調整弁	3P074558-1			

Note 1 : Refer Page 30, 31 and 32 for detail parts of suction modulating valve.

注 1 : SMV (吸入比例弁) の詳細部品はP.30、31、32を参照ください。

Note 2 : Difference of solenoid valve No.1266290 and 0955287.

No.1266290 (3P010453-2) : Lead wire length 1550mm

No.0955287 (3P010453-1) : Lead wire length 2000mm

注 2 : 電磁弁No.1266290とNo.0955287の違い。

No.1266290 (3P010453-2) : リード線長さ1550mm

No.0955287 (3P010453-1) : リード線長さ2000mm

3. Order for pressure trasducer

3. 圧力センサーの発注

Refer to the following table for the pressure transducer applied to this model.

For ordering pressure transducer, we recommend that you order the following best shrinkable tube together at the same time.

この機種に使用している圧力センサーは下記の通りです。

圧力センサー発注の際は、下記の熱収縮チューブを同時に発注することをおすすめします。

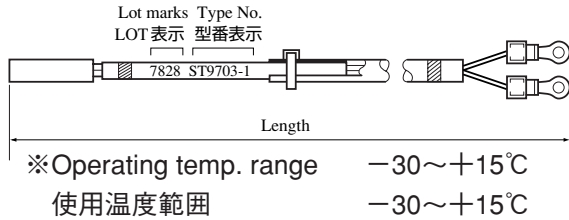
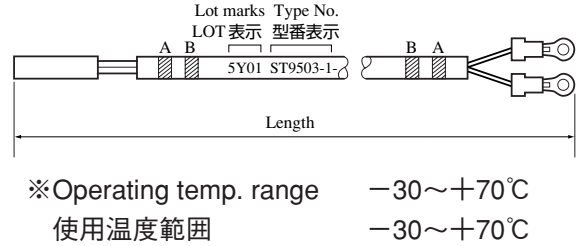
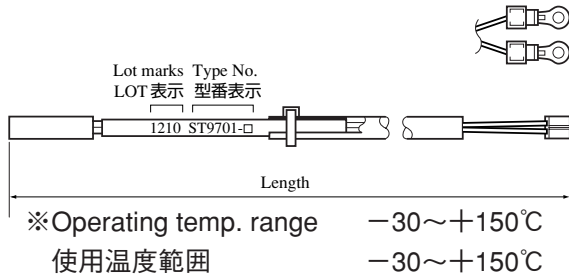
呼称名	NO. 符号	PARTS NO. 部品番号	PARTS NAME	部品名称	DWG NO. 図面番号	TYPE 形式	REMARKS 備考
HPT	B16	0797234	High pressure transducer (HPT)	高圧圧力センサ (HPT)	4PA60522-1	SPCH01	
	B17	1011058	Cable, high-pressure transducer	高圧圧力センサケーブル	3P008835-1		
LPT	B15	0797241	Low pressure transducer (LPT)	低圧圧力センサ (LPT)	4PA60524-1	SPCL02	
	B18	1011065	Cable, low-pressure transducer	低圧圧力センサケーブル	3P008835-2		
	E84	1267394	Heat shrinkable tube	熱収縮チューブ	4PA60531-2		Must be applied when replacing above sensors. 上記圧力センサー交換時使用の事。

4. Order for temperature sensor

4. 温度センサーの発注

Refer to the following table for temperature sensors applied to this model.

この機種に使用されている温度センサーは下記の通りです。



※1 Location 取付場所

Indoor A : Indoor supply air side

Indoor B : Indoor return air side

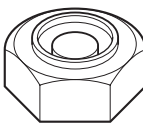
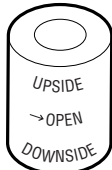
庫内A : 庫内吹出空気側

庫内B : 庫内吸込空気側

呼称	NO. 符号	PARTS NO. 部品番号	PARTS NAME 部品名称	DWG. NO. 図番	TYPE 形式	WIRE COLOR 配線色		LENGTH 全長mm	※1 LOCATION 取付場所	TEMPORALY EXCHANGABILITY 緊急時互換性	
						A	B				
1. SS	C24	0798299	Supply air temp. sensor	吹出空気温度センサー	3PA61769-3	ST9503-3	green 緑	- -	3200	Indoor A 庫内A	○
2. DSS	C25	0798770	Data recorder supply air temp. sensor	データレコーダ吹出空気温度センサー	3PA61769-8	ST9503-8	green 緑	Red 赤	3200	Indoor A 庫内A	○
3. RS	C26	0798275	Return air temp. sensor	吸込空気温度センサー	3PA61769-1	ST9503-1	Blue 青	- -	3200	Indoor B 庫内B	○
4. DRS	C27	0798732	Data recorder return air temp. sensor	データレコーダ吸込空気温度センサー	3PA61769-7	ST9503-7	Blue 青	Red 赤	3200	Indoor B 庫内B	○
5. EIS	D4	0983376	Evaporator inlet temp. sensor	蒸発器入口温度センサー	3P012118-1	ST9703-1	Brown 茶	-	3200	Indoor EVP. 庫内蒸発器	
6. EOS	D5	0798314	Evaporator outlet temp. sensor	蒸発器出口温度センサー	3PA61769-5	ST9503-5	Yellow 黄	- -	3200	Indoor EVP. 庫内蒸発器	○
7. DCHS	B11	0983321	Discharge pipe temp. sensor	吐出管温度センサー	3SA48009-10	ST9701-10	-	-	2800	Outdoor 庫外	
8. AMBS	B12	0798321	Ambient air temp. sensor	外気温度センサー	3PA61769-6	ST9503-6	- -	- -	3200	Outdoor 庫外	○
9. SGS	B13	0983338	Compressor suction gas temp. sensor	圧縮機吸入ガス温度センサー	3PA61769-9	ST9503-9	White 白	- -	3200	Outdoor 庫外	○
10. RSS	H23	0798307	Recorder supply air sensor	レコーダ吹出空気温度センサー	3PA61769-4	ST9503-4	green 緑	green 緑	3200	Indoor A 庫内A	○
11. RRS	H24	0798282	Recorder return air sensor	レコーダ吸込空気温度センサー	3PA61769-2	ST9503-2	Blue 青	Blue 青	3200	Indoor B 庫内B	○

1. Tools for emergency operation

1. 緊急運転用工具

NO. 符号	PARTS NO. 部品番号	PARTS NAME	部品名称	DWG NO. 図面番号	USE 用途	ILLUSTRATION 姿図
-	1080263	Emergency coil cap	エマージェンシーコイルキャップ	3P017370-1	For electronic expansion valve 電子膨張弁用	
-	1270530	Emergency magnet	エマージェンシーマグネット	2P078385-2	Suction modulating valve 吸入比例弁用	

(See Service Manual for application.)

(使用方法はサービスマニュアルを参照ください。)

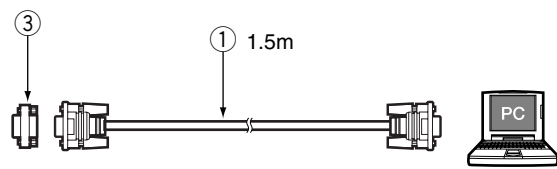
2. Personal computer cable (for DCCS)

2. パソコンケーブル (DCCS用)

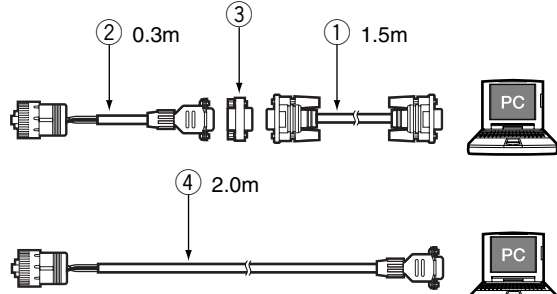
The following parts are connector cables required to exchange information between the refrigeration unit and personal computer. The table below describes parts required to apply to Model LXE-C, -D, and -E new model.

下記の部品は冷凍ユニットとパソコンの情報交換に必要なコネクタ、ケーブル類です。LXE-C型、D型、及び新機種E型対応に必要な部品を掲載しています。

[TYPE A]タイプA

LXE10C LXE10CA LXE10D for MOL	LXE10C LXE10CA MOL用LXE10D	
(Receptacle) RS232C (Female) on the controller	(レセプタクル) RS232C (メス) コントローラー側	

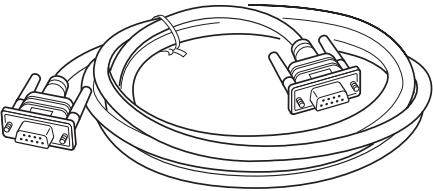
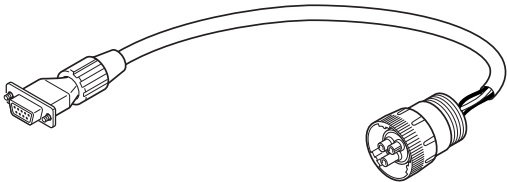
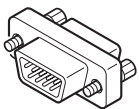
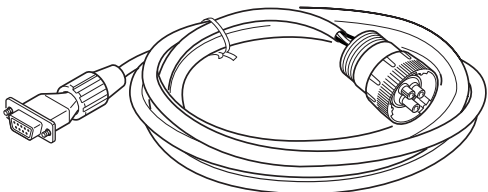
[TYPE B]タイプB

LXE10D LXE10E	LXE10D LXE10E	
(Receptacle) Water proof type on the unit	(レセプタクル) コンテナ冷凍機 ユニットの防水型	

(1) Parts No.

(1) 部品番号

NO. 符号	PARTS NO. 部品番号	PARTS NAME	部品名称	REMARKS 備考
①	Local supply 市販品	Connection cable (reverse)	接続ケーブル (リバース)	RS232C reverse (cross) type RS232Cリバース (クロス) 型
②	9993324	Connection cable	接続ケーブル	
③	Local supply 市販品	Adapter (gender changer)	アダプター (ジェンダーチェンジャー)	D-sub 9P, Male-Male Dサブ9ピン、オス-オス
④	1087149	Connection cable	接続ケーブル	

NO. 符号	Illustration 姿図	Internal Wiring 内部配線																											
①		<p>RS232C Female メス</p> <table border="1"> <tr><td>1</td><td></td><td>1</td></tr> <tr><td>2</td><td></td><td>2</td></tr> <tr><td>3</td><td></td><td>3</td></tr> <tr><td>4</td><td></td><td>4</td></tr> <tr><td>5</td><td></td><td>5</td></tr> <tr><td>6</td><td></td><td>6</td></tr> <tr><td>7</td><td></td><td>7</td></tr> <tr><td>8</td><td></td><td>8</td></tr> <tr><td>Frame</td><td></td><td>フレーム</td></tr> </table> <p>RS232C Female メス</p>	1		1	2		2	3		3	4		4	5		5	6		6	7		7	8		8	Frame		フレーム
1		1																											
2		2																											
3		3																											
4		4																											
5		5																											
6		6																											
7		7																											
8		8																											
Frame		フレーム																											
②		<p>Daikin made ダイキン製</p> <table border="1"> <tr><td>A</td><td>Red</td><td>1</td></tr> <tr><td>B</td><td>White</td><td>2</td></tr> <tr><td>C</td><td>Black</td><td>3</td></tr> <tr><td></td><td></td><td>4</td></tr> <tr><td></td><td></td><td>5</td></tr> <tr><td></td><td></td><td>6</td></tr> <tr><td></td><td></td><td>7</td></tr> <tr><td></td><td></td><td>8</td></tr> <tr><td></td><td></td><td>9</td></tr> </table> <p>RS232C Female メス</p>	A	Red	1	B	White	2	C	Black	3			4			5			6			7			8			9
A	Red	1																											
B	White	2																											
C	Black	3																											
		4																											
		5																											
		6																											
		7																											
		8																											
		9																											
③																													
④		<p>Daikin made ダイキン製</p> <table border="1"> <tr><td>A</td><td>Red 赤</td><td>1</td></tr> <tr><td>B</td><td>White 白</td><td>2</td></tr> <tr><td>C</td><td>Black 黒</td><td>3</td></tr> <tr><td></td><td></td><td>4</td></tr> <tr><td></td><td></td><td>5</td></tr> <tr><td></td><td></td><td>6</td></tr> <tr><td></td><td></td><td>7</td></tr> <tr><td></td><td></td><td>8</td></tr> <tr><td></td><td></td><td>フレーム</td></tr> </table> <p>RS232C Female メス</p>	A	Red 赤	1	B	White 白	2	C	Black 黒	3			4			5			6			7			8			フレーム
A	Red 赤	1																											
B	White 白	2																											
C	Black 黒	3																											
		4																											
		5																											
		6																											
		7																											
		8																											
		フレーム																											

<https://daikin-p.ru>

ダイキン工業株式会社
DAIKIN INDUSTRIES, LTD.

本 社 大阪市北区中崎西2丁目4番12号 梅田センタービル
郵便番号 530-8323 電話 大 阪 (06) 6373-1201 (大 代 表)

東京支社 東京都港区港南2-18-1 JR品川イーストビル10階
郵便番号 108-0075 電話 東 京 (03) 6716-0420

Head Office. Umeda Center Bldg., 4-12, Nakazaki-Nishi 2-chome, Kita-ku, Osaka, 530-8323 Japan.

Tel: 06-6373-4338

Fax: 03-6373-7297

Tokyo Office. JR Shinagawa East Bldg., 10F 18-1, Konan 2-chome, Minato-ku Tokyo, 108-0075 Japan.

Tel: 03-6716-0420

Fax: 03-6716-0230