

DAIKIN



ダイキン海上コンテナ冷凍装置

Marine type Container Refrigeration Unit

サービスガイド・パーツリスト

Service Manual · Parts List

オプション機能編・Optional Functions

LXE10E-1D

ダイキン工業株式会社
DAIKIN INDUSTRIES, LTD.

TR05-12

Covered Models

Regarding the basic features, operation and after servicing, please refer to the service manual for LXE10E-1(TR03-06).

Followings are the differences of parts and software version for each models.

List 1: Main alteration contents of each model

Model Revised contents	LXE10E-1	LXE10E-1A	LXE10E-1B	LXE10E-1C LXE10E-1D	Reference page
	Capillary solenoid valve	Fitted	Not fitted	Not fitted	Not fitted
High pressure transducer	SPCH01	SPCH01	NSK-BC030F	NSK-BC030F	4-24
Low pressure transducer	SPCL02	SPCL02	NSK-BC010F	NSK-BC010F	4-23
Pressure transducer location	Left side of compressor	Left side of compressor	Right side of compressor	Right side of compressor	2-2 to 5
Relay connector for EV coil	Fitted	Fitted	Not fitted	Not fitted	4-17
Weight (Kg)	505	505	505	490	2-1

List 2: Main software alteration contents of each model

Software version	Alteration point	Reference page
2404	The range of chilledmode setting temperature: -5.0 C to 10.0 C	2-16
2406	Addition of Error code E205 (Abnormal detection of lock current for fan motor)	3-33
2407	Alteration of setting for manual defrost ending condition	2-23

Safety Precautions	
• Danger	3
• Warning	4
• Caution	5
1. Introduction	1-1
1.1 Operation range	1-1
1.2 Basic Names of components	1-1
1.3 Basic operation of refrigeration unit	1-2
1.3.1 Operation preparation	1-2
1.3.2 Starting operation	1-3
1.3.3 Checking during operation	1-4
1.3.4 Procedure after operation	1-4
1.3.5 Adjust the ventilation	1-5
2. General description	2-1
2.1 Main specifications	2-1
☆ 2.2 Names of components	2-2
2.2.1 Outside	2-2
2.2.2 Inside	2-4
2.2.3 Control box	2-6
2.3 Set point of functional parts and protection devices	2-9
2.4 Operating pressure and running current	2-10
2.5 Operation modes and control	2-14
2.5.1 Frozen mode	2-15
2.5.2 Chilled mode	2-17
2.5.3 Defrosting mode	2-19
2.5.4 Dehumidification	2-22
2.5.5 Common control	2-23
3. Electronic Controller	3-1
3.1 Function table	3-1
3.2 Basic operation of electronic controller	3-3
3.2.1 Control panel	3-3
3.2.2 Operation mode and control	3-5
3.3 Operation procedure	3-6
3.3.1 Operation procedure flow chart	3-6
3.3.2 Mode operation procedure	3-9
1. Current indication mode	3-9
2. Operation setting mode	3-10
3. Battery mode	3-11
4. Mode operation	3-12
5. LED display light-OFF mode	3-15
6. Sensor indication mode	3-16
7. Temperature record scroll mode	3-19
8. Alarm record scroll mode	3-22
3.3.3 Setting flow chart	3-24
3.3.4 Optional function setting mode	3-26
3.3.5 Basic function setting mode	3-27
3.3.6 Optional condition setting mode	3-29
3.3.7 Input data mode	3-31
3.3.8 Controller software download mode	3-32
☆ 3.4 Alarm display and back-up function	3-33
3.4.1 Alarm list	3-33
3.4.2 Back-up operation at sensor malfunction	3-34
3.5 Battery	3-36
3.5.1 Specifications	3-36
3.5.2 Function	3-36
3.5.3 Battery check	3-36
3.5.4 Battery replacement (Rechargeable battery)	3-37
3.6 Information interchange with personal computer	3-38
3.6.1 Data logging	3-39
3.6.2 Software configuration	3-40
3.7 Inspection procedure for the electronic controller	3-42
3.8 Controller replacement and initial setting	3-43
3.8.1 Controller replacement	3-43
3.8.2 Initial setting & operation procedure	3-44
3.9 PTI (Pre-Trip Inspection) and periodic inspection	3-45
3.9.1 Inspection item	3-46
3.9.2 Automatic PTI (Pre-Trip Inspection)	3-49
3.9.2.1 PTI selection mode	3-50
3.9.2.2 Short PTI (S.PTI)	3-51
3.9.2.3 Full PTI (F.PTI)	3-52
3.9.2.4 Alarm list during PTI (Pre-Trip Inspection)	3-54
3.9.2.5 Manual check (M.CHECK)	3-55
3.10 Chartless function	3-57
3.10.1 Chart indication mode	3-57
3.10.2 P code (Pull down time indication)	3-59
3.10.3 Chartless code display function	3-60
3.10.3.1 List of chartless codes	3-60
3.10.3.2 H-code	3-61
3.10.3.3 d-code:	3-63
3.11 Communication modem	3-64
4. Service and Maintenance	4-1
4.1 Maintenance service	4-1
4.1.1 Collection of refrigerant	4-1
4.1.2 Gauge manifold	4-1
4.1.3 Automatic pump down	4-3
4.1.4 Refrigerant recovery and charge	4-5
4.2 Main components and maintenance	4-9
4.2.1 Scroll compressor	4-9
4.2.2 Fan and fan motor	4-15
4.2.3 PT and CT board (EC9756)	4-16
4.2.4 Electronic expansion valve	4-17
4.2.5 Thermostatic expansion valve	4-18
4.2.6 Suction modulation valve	4-19
4.2.7 Drier	4-20
4.2.8 Solenoid valve	4-21
4.2.9 Discharge pressure regulating valve	4-22
4.2.10 Check valve	4-22
4.2.11 High-pressure switch (HPS)	4-23
4.2.12 Low pressure transducer (LPT)	4-23
4.2.13 High pressure transducer (HPT)	4-24
4.2.14 Water pressure switch (WPS)	4-24
4.2.15 Humidity sensor	4-24
4.2.16 Ventilation port opening degree sensor (FA sensor)	4-25
4.2.17 Air-cooled condenser and evaporator	4-25
4.2.18 Water cooled condenser	4-26
4.2.19 Fusible plug	4-26
4.2.20 Liquid/moisture indicator	4-26
4.2.21 Evacuation and dehydrating	4-27
5. Additional Devices	5-1
5.1 USDA transportation	5-1
5.1.1 Type of USDA sensor/receptacle	5-1
5.1.2 Initial setting	5-1
5.1.3 USDA sensor calibration	5-1
5.1.4 USDA transportation requirement	5-1
5.1.5 USDA report	5-1
6. Troubleshooting	6-1
6.1 Refrigeration system and electrical system	6-1
☆ 6.2 Alarm codes on electronic controller	6-5
6.3 Troubleshooting for automatic PTI (J-code)	6-10
6.4 Emergency operation	6-12
6.4.1 Emergency operation of controller	6-12
6.4.2 Short circuit operation of controller	6-13
6.4.3 Opening adjustment of electronic expansion valve	6-14
6.4.4 Emergency operation of suction modulating valve	6-15
6.4.5 Automatic Back up for supply / return air temperature sensors	6-16
7. Appendix	7-1
7.1 Standard tightening torques for bolts	7-1
7.2 Standard tightening torques for flare nuts	7-1
7.3 Standard tightening torque for stop valve	7-1
☆ 7.4 Resistance of motor coil and solenoid valve coil	7-2
7.5 Standard tightening torque for electronic expansion valve coil (EV coil)	7-2
7.6 HFC134a, temperature-vapor pressure characteristics table	7-3
7.7 Temperature sensor characteristics table	7-4
7.8 Temperature sensor characteristics table DCHS	7-5
7.9 High pressure transducer characteristics table	7-5
7.10 Low pressure transducer characteristics table	7-5
☆ 7.11 Piping diagram	7-6
7.12 Pilot lamps	7-7
7.13 Fuse protection table	7-8
☆ 7.14 Schematic wiring diagram	7-10
☆ 7.15 Stereoscopic wiring diagram	7-11

2. General description

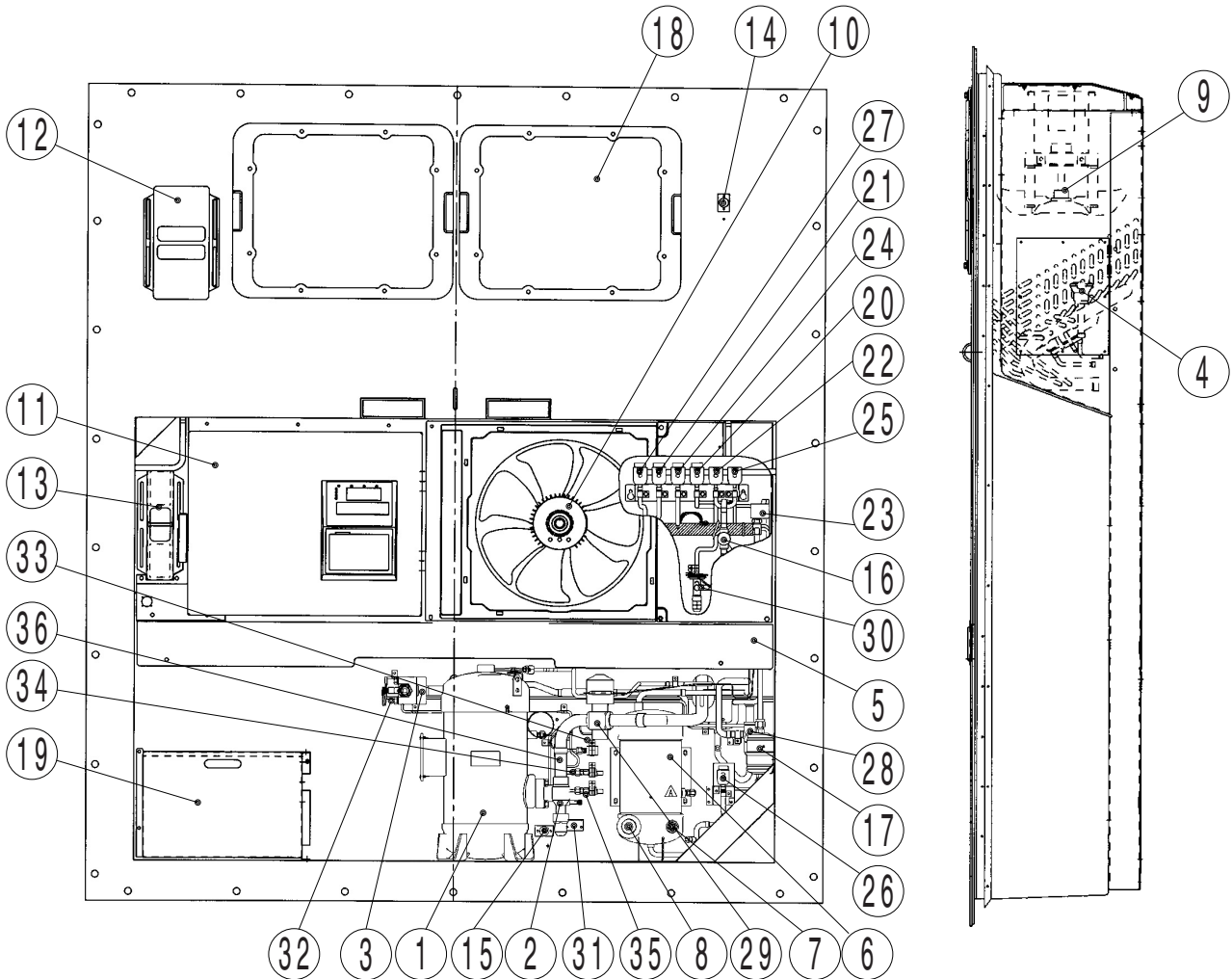
2.1 Main specifications

Item	Model	LXE10E-1
Condenser cooling system		Air cooled type
Controller		DECOS III d
Power supply		AC 3-phase 380V/400V/415V 50Hz, 440V/460V 60Hz
Compressor		Hermetic scroll type (Motor output: 5.5kW)
Evaporator		Cross fin coil type
Air-cooled condenser		Cross fin coil type
Water-cooled condenser		Shell and coil type
Evaporator fan		Propeller fan
Evaporator fan motor		Three-phase squirrel-cage induction motor
Condenser fan		Propeller fan
Condenser fan motor		Three-phase squirrel-cage induction motor
Defrosting	System	Hot-gas defrosting system
	Initiation	Dual timer, on-demand defrost and manual switch
	Termination	Detecting the temperature of evaporator outlet pipe and return air
Refrigerant flow control		Electronic expansion valve
Capacity control		Capacity control with hot gas bypass and suction modulating valve
Protective devices /Safety devices		Circuit breaker, PT/CT board (for over current protection). Compressor thermal protector Condenser fan-motor thermal protector Evaporator fan-motor thermal protector High-pressure switch, Fusible plug, Fuse (10A, 5A)
Refrigerant (charged amount)		R134a : 5.4 (kg)
Refrigerant oil (charged amount)		IDEMITSU, Daphne hermetic oil FVC 46D : 2.2(ℓ)
Weight		LXE10E-1,1A,1B : 505(kg), LXE10E-1C : 490(kg)

2.2 Names of components

2.2.1 Outside

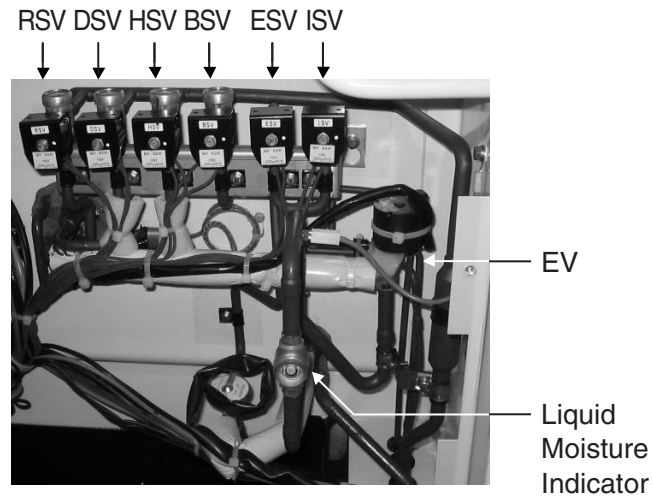
●LXE10E-1D



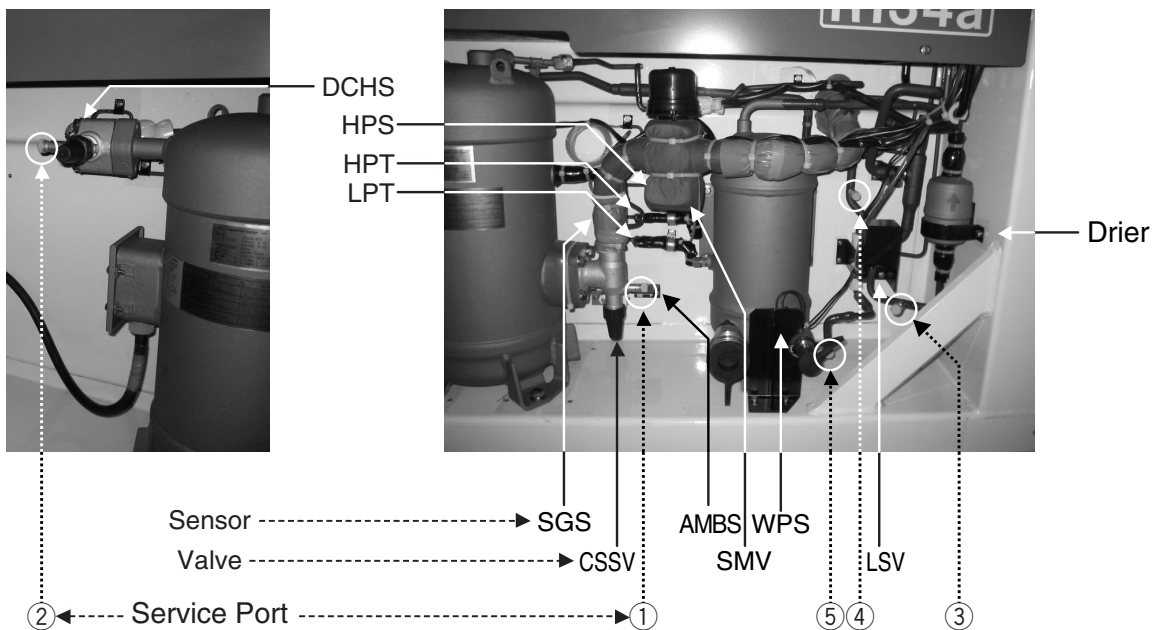
- | | |
|--|--|
| ① Compressor | ⑲ Storage space for power cable |
| ② Compressor suction side stop valve | ⑳ Discharge gas by-pass solenoid valve (BSV) |
| ③ Compressor discharge side stop valve | ㉑ Defrost solenoid valve (DSV) |
| ④ Evaporator | ㉒ Economizer solenoid valve (ESV) |
| ⑤ Air-cooled condenser | ㉓ Electronic expansion valve (EV) |
| ⑥ Water cooled condenser | ㉔ Hot-gas solenoid valve (HSV) |
| ⑦ Cooling water inlet connector | ㉕ Injection solenoid valve (ISV) |
| ⑧ Cooling water outlet connector | ㉖ Liquid solenoid valve (LSV) |
| ⑨ Evaporator fan | ㉗ Reheat coil solenoid valve (RSV) |
| ⑩ Condenser fan | ㉘ Discharge pressure regulating valve (DPR) |
| ⑪ Control box | ㉙ Suction modulating valve (SMV) |
| ⑫ Upper ventilator (Above 80m ³ /h) | ㉚ Thermostatic expansion valve (TEV) |
| ⑬ Lower ventilator (Below 80m ³ /h) | ㉛ Ambient temperature sensor (AMBS) |
| ⑭ Sampling port (Return) | ㉜ Discharge pipe temperature sensor (DCHS) |
| ⑮ Gas sampling port Sampling port (Supply) | ㉝ High pressure switch (HPS) |
| ⑯ Liquid moisture indicator | ㉞ High pressure transducer (HPT) |
| ⑰ Drier | ㉟ Low pressure transducer (LPT) |
| ⑱ Access panel | ㊱ Compressor suction pipe temperature sensor (SGS) |

●LXE10E-1D

· Detail of solenoid valves



· Detail of compressor and refrigerant control devices



- [Valve]
- BSV :Bypass Solenoid Valve
 - CDSV:Compressor Discharge Stop Valve
 - CSSV:Compressor Suction Stop Valve
 - DSV :Defrost Solenoid Valve
 - DPR :Discharge Pressure Regulator Valve
 - EV :Electronic Expansion Valve
 - ESV :Economizer Solenoid Valve
 - ISV :Injection Solenoid Valve
 - LSV :Liquid Solenoid Valve
 - RSV :Reheater Solenoid Valve
for dehumidification control
 - SMV :Suction Modulation Valve
 - TEV :Thermostatic Expansion Valve

- [Sensor]
- AMBS:Ambient Air Temperature Sensor
 - DCHS:Discharge Gas Temperature Sensor
 - HPS :High Pressure Switch
 - HPT :High Pressure Tranceducer
 - LPT :Low Pressure Tranceducer
 - SGS :Suction Pipe Temperature Sensor
 - WPS :Water Pressure Sensor

2.5 OPERATION MODES AND CONTROL

There are two main types of operation modes: the cargo cooling control mode and the unit inspection mode.

The cargo cooling control mode is explained in this section.

※For the unit inspection mode, refer to section 3.9.

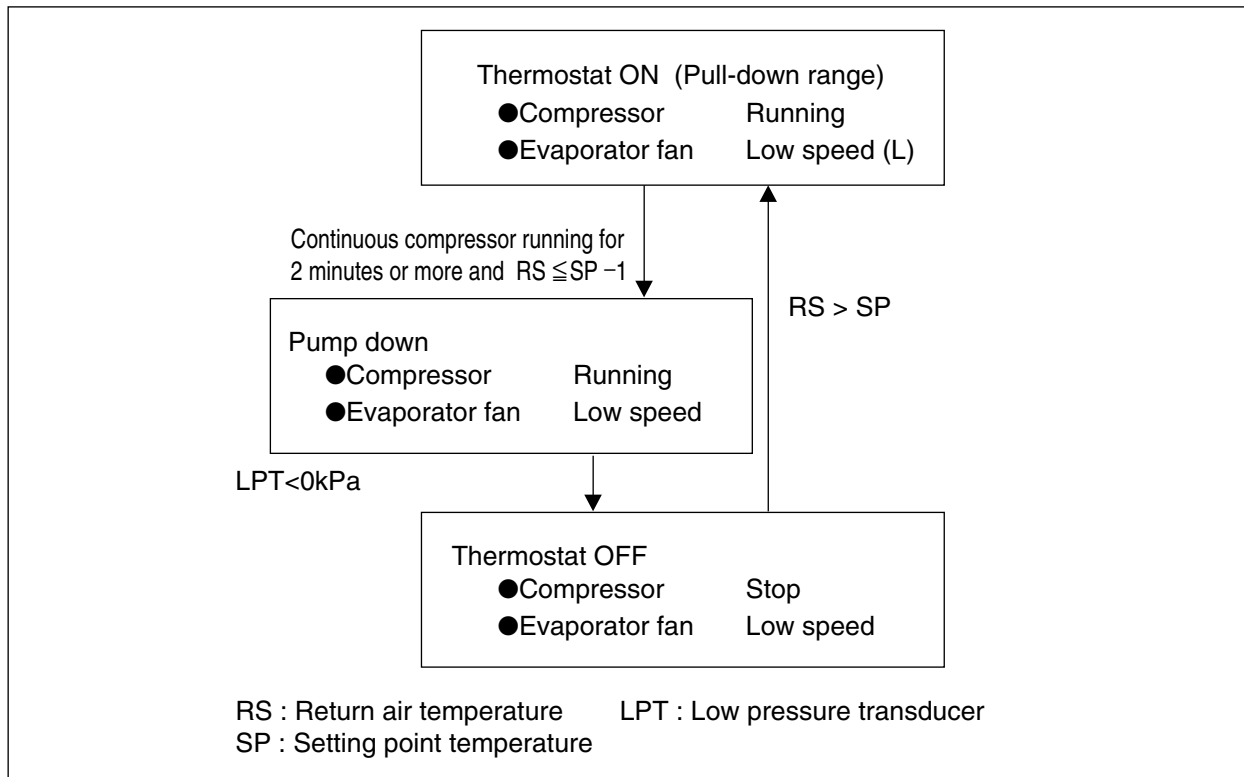
The relationship between the operation mode and setting temperature is as follows.

Operation mode (Software version)		Setting temperature	Control sensor	Operation description
Frozen mode	<2403>	-30.0°C~-5.1°C (-22.0°F~+22.8°F)	Return air temperature sensor	Compressor ON/OFF control
	<After 2404>	-30.0°C~-10.1°C (-22.0°F~+13.8°F)		
Chilled mode	<2403>	-5.0°C~-30.0°C (-23.0°F~+86.0°F)	Supply air temperature sensor	Capacity control operation with suction modulating valve and hot-gas bypass control
	<After 2404>	-10.0°C~-30.0°C (+14.0°F~+86.0°F)		
Defrosting mode		—	—	Hot-gas defrosting with refrigerant metering control

※For details, refer to section 3.1 to 3.4.

2.5.1 Frozen mode

Control state transition and common control



Operation of magnetic contactor and solenoid valve

Component name		Thermostat ON	Pump down	Thermostat OFF
Magnetic contactor	Compressor	CC	ON	OFF
	Evaporator fan. High speed	EFH	OFF	OFF
	Evaporator fan. Low speed	EFL	ON	ON
	Condenser fan	CF	ON / OFF※1	ON / OFF※1
Solenoid valve	Liquid solenoid valve	LSV	ON	OFF
	Economizer solenoid valve	ESV	ON(OFF※3)	ON(OFF※3)
	Injection solenoid valve	ISV	OFF(ON※2)	OFF(ON※2)
	Hot-gas solenoid valve	HSV	OFF	OFF
	Defrost solenoid valve	DSV	OFF	OFF
	Discharge gas by-pass solenoid valve	BSV	OFF	OFF
	Capillary solenoid valve※4	CSV	OFF	OFF
Suction modulating valve	SMV	100%		
Electronic expansion valve	EV	10 to 100%		

Note) ※1: High pressure control

※2: Injection control (Refer to Page 2-25)

※3: Economizer control (Refer to Page 2-26)

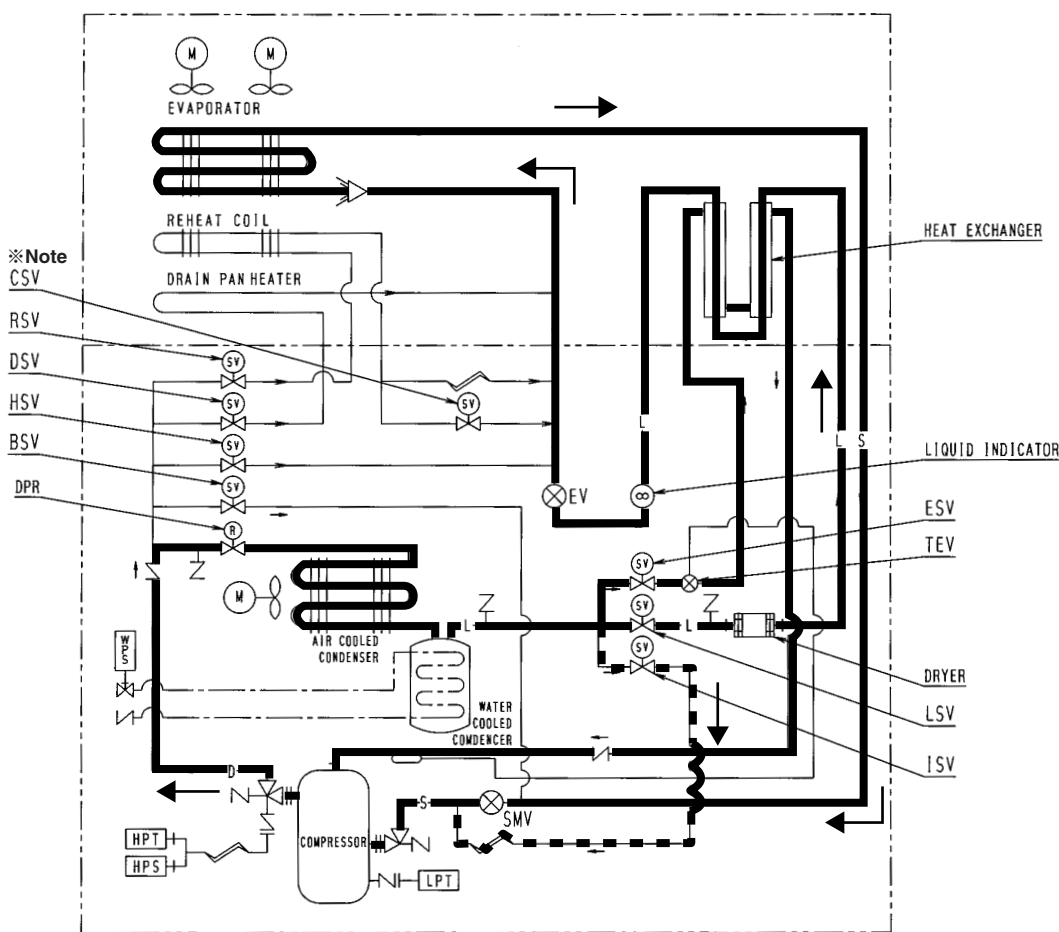
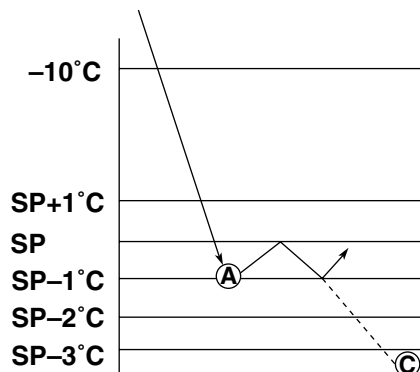
※4: **CSV is fitted only for LXE10E-1 but not for LXE10E-1A, 1B, 1C.**

(1) Set point temperature and control sensor

When the set point temperature (referred to as SP hereafter) is $-5.1^{\circ}\text{C}(+22.8^{\circ}\text{F})$ or lower, the compressor is operated ON and OFF, in response to return air temperature.

(2) Control

- ① When the control temperature reaches $\text{SP}-1.0^{\circ}\text{C}$ (point A), the compressor and condenser fan are turned off after the liquid solenoid valve has been de-energized and the pump down operation has been completed.
- ② When the control temperature exceeds SP, the compressor, liquid solenoid valve and condenser fan are turned on. However, the compressor runs for at least 2 minutes every time once it is turned on. Even if the control temperature becomes SP or lower (point C) within 2 minutes after the compressor is turned on, the compressor, condenser fan and liquid solenoid valve are not turned off. (2 minutes compressor forced operation)



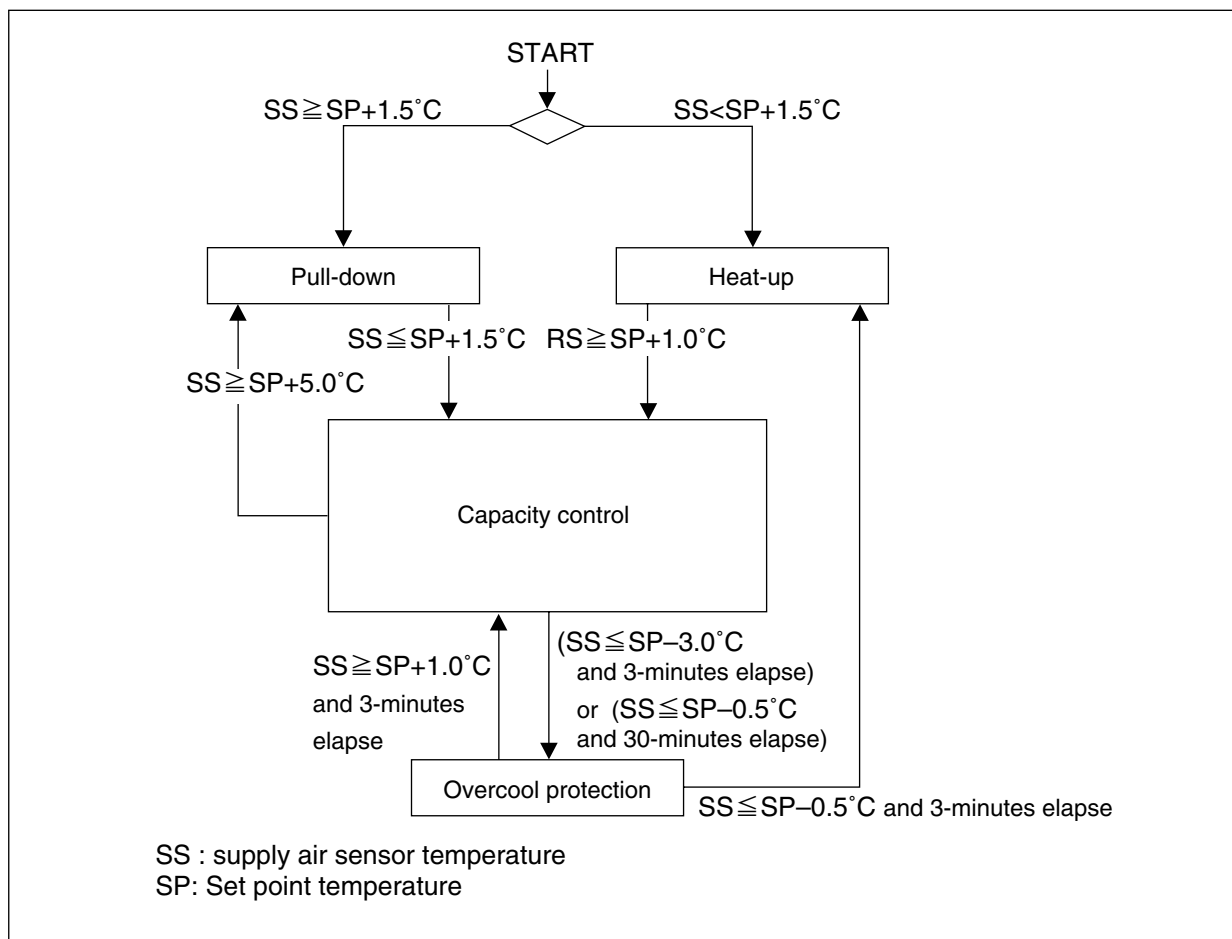
FROZEN (Return air $< 5^{\circ}\text{C}$)

- | | |
|-----------------------------------|---|
| EV: Elec. Exp. Valve | HSV: Hot Gas Solenoid Valve |
| LSV: Liquid Solenoid Valve | ISV: Injection Solenoid Valve |
| DSV: Defrost Solenoid Valve | BSV: Discharge gas Bypass Solenoid Valve |
| ESV: Economizer Solenoid Valve | LPT: Low Pressure Transducer |
| DPR: Discharge pressure regulator | HPT: High Pressure Transducer |
| SMV: Suction Modulation Valve | HPS: High Pressure Switch. |
| WPS: Water pressure switch | CSV: Capillary solenoid valve. ※Note |

※Note : CSV is fitted only for LXE10E-1 but not for LXE10E-1A, 1B, 1C.

2.5.2 Chilled mode

Control state transition and common control



Operation of magnetic conductor and solenoid valve

Component name		Pull-down	Capacity control	Heat-up	Overcool protection	
Magnetic conductor	Compressor	CC	ON	ON	OFF	
	Evaporator fan. High speed	EFH	ON	ON	ON	
	Evaporator fan. Low speed	EFL	OFF	OFF	OFF	
	Condenser fan	CF	ON / OFF※1	ON / OFF※4	ON / OFF※1	OFF
Solenoid valve	Liquid solenoid valve	LSV	ON	ON	OFF	OFF
	Economizer solenoid valve	ESV	ON / OFF※5	OFF	OFF	OFF
	Injection solenoid valve	ISV	ON / OFF※2	ON / OFF※4	ON / OFF※3	OFF
	Hot-gas solenoid valve	HSV	OFF	ON / OFF※4	ON	OFF
	Defrost solenoid valve	DSV	OFF	ON / OFF※4	ON	OFF
	Discharge gas by-pass solenoid valve	BSV	OFF	ON / OFF※4	OFF	OFF
	Capillary solenoid valve※6	CSV	OFF	OFF	OFF	OFF
Suction, modulating valve	SMV	12 to 100%※1	3 to 100%	100%	100%	
Electronic expansion valve	EV	10 to 100%	10 to 100%	0%	50%	

Note) ※1: High pressure control ※2: Discharge gas temperature control
 ※3: Charge control ※4: Capacity control and hot gas by-pass ※5: Economizer control
 ※6: CSV is fitted only for LXE10E-1 but not for LXE10E-1A, 1B, 1C.

(1) Set point temperature and control sensor

○ Chilled operation

When the set point temperature is -5.0°C (-41°F) or higher, the suction modulating valve (SMV) is controlled sensing the supply air temperature in order to adjust the cooling capacity.

(2) Control

(a) Pull-down operation

Pull-down operation is carried out with fully opened suction modulating valve when the control temperature is higher than the set point temperature for 1.5°C or more (point ①).

(b) Capacity control operation

When the control temperature reaches the point ②, the in-range lamp is turned on. At the same time, the suction modulating valve is activated to conduct the capacity control operation.

The control temperature converges to the set point temperature (point ③) while repeats temperature increasing and decreasing.

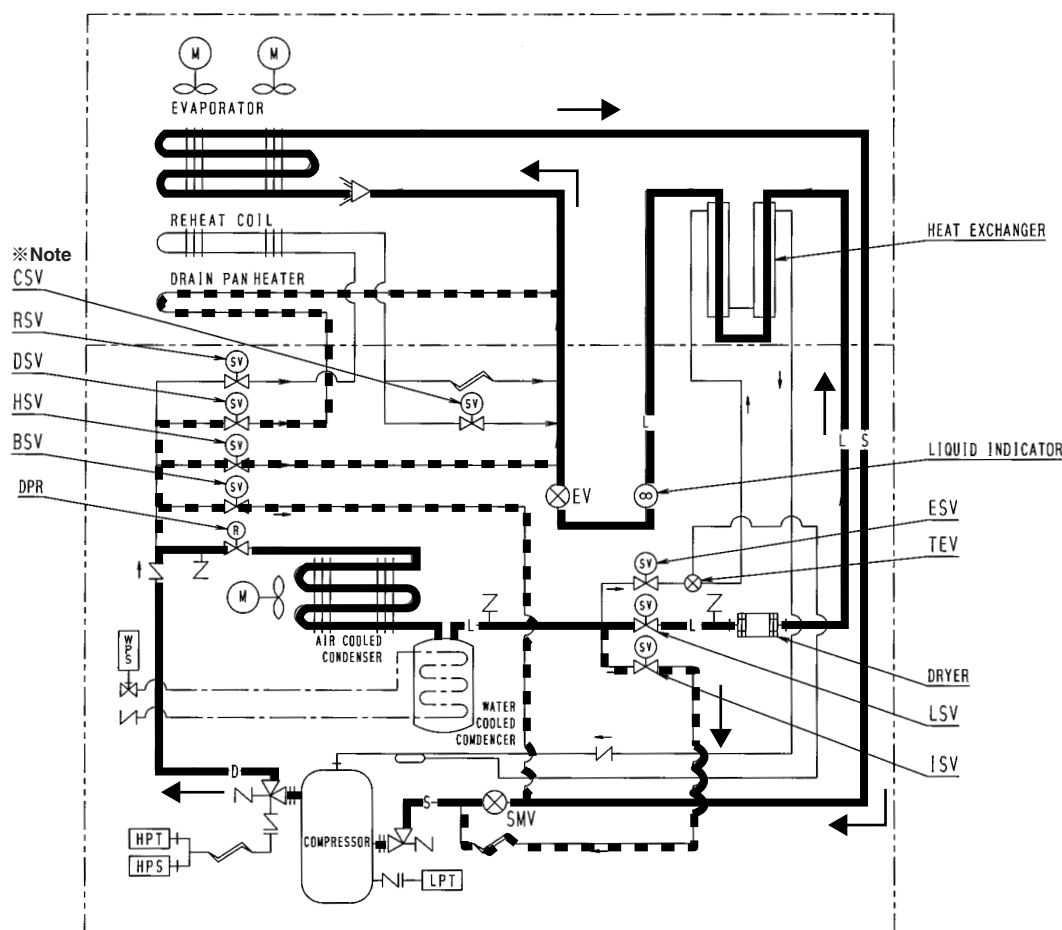
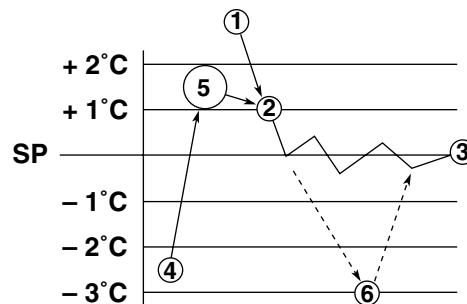
During capacity control, hot gas by-pass (HSV, DSV, BSV) and liquid injection (ISV) are conducted in order to maintain the optimum operation condition of refrigerant system.

(c) Heat-up operation

When the control temperature is lower than [set point temperature $+1.5^{\circ}\text{C}$] (point ④), the heat-up operation using hot gas is conducted in order to raise the return air temperature to the [set temperature $+1.5^{\circ}\text{C}$] (point ⑤).

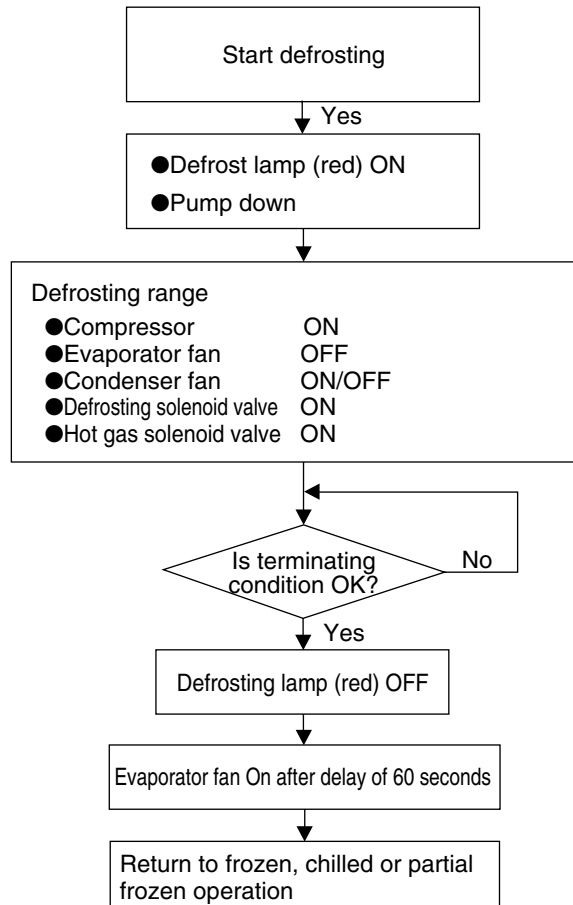
(d) Overcool protection operation

Although the unit's operation is in a stable state, if the control temperature lowers below set point temp -3°C (point ⑥), the compressor stops and only the evaporator fan continues to operate.



※Note : CSV is fitted only for LXE10E-1 but not for LXE10E-1A, 1B, 1C.

2.5.3 Defrosting mode



Operation of magnetic contactor and solenoid valve

	Component name		Pump down	Defrosting
Magnetic contactor	Compressor	CC	ON	ON
	Evaporator fan. High speed	EFH	ON/OFF※3	OFF
	Evaporator fan. Low speed	EFL		
	Condenser fan	CF	ON/OFF※1	ON/OFF※1
Solenoid valve	Liquid solenoid valve	LSV	OFF	OFF
	Economizer solenoid valve	ESV	ON/OFF※4	OFF
	Injection solenoid valve	ISV	OFF (ON※5)	ON/OFF※2
	Hot-gas solenoid valve	HSV	OFF	ON
	Defrost solenoid valve	DSV	OFF	ON
	Discharge gas by-pass solenoid valve	BSV	OFF	OFF
	Reheat solenoid valve	RSV	OFF	OFF(ON※6)
	Capillary solenoid valve※7	CSV	OFF	OFF
	Suction modulating valve	SMV	100%	100%
	Electronic expansion valve	EV	10 to 100%	5%

Note) ※1: Pressure control

※2: Charging control

※3: Frozen mode ... EFL ON, Chilled mode ... EFH ON

※4: Economizer control

※5: Discharge gas temperature control

※6: EOS>15°C

※7: CSV is fitted only for LXE10E-1 but not for LXE10E-1A, 1B, 1C.

Defrosting operation

(1) Defrosting system

A hot-gas defrost system is adopted in the units; i.e. the high temperature and high pressure refrigerant (hot gas) from the compressor is sent to the evaporator and drain pan for defrosting. Since the evaporator is heated directly by the hot gas (refrigerant), defrosting can be performed effectively.

(2) Defrosting initiation

Defrosting is initiated by the timer or the manual defrost key.

However, defrosting is not initiated when frosting on the evaporator can not be detected.

- Evaporator inlet temperature : 5°C or higher
- Evaporator outlet temperature : 20°C or higher

① Initiation by timer (Timer is set at the electronic controller, refer to section 3.3.2 for its operating method.)

Type of timer	Defrosting interval set	Function
Long timer	3, 6, 9, 12, 24 and 99* ¹ hours are selectable.	Regardless of the control temperature, defrosting is initiated according to the selected interval.
Short timer	4 hours* ²	Defrosting is initiated every 4 hours until the control temperature comes within the in-range after pull-down. When the temperature is in-range, defrosting timer will change into the selected long timer.
Out-range timer	30 minutes	After the control temperature comes within in-range once, defrosting will be started 30 minutes later if the control temperature rises out of the in-range.

※1. Refer to "(3) On-demand defrost"

※2. 6 hours when the control temperature is -20°C or below.

② Starting by MANUAL DEFROST key (on the operation panel sheet key)

Press the MANUAL DEFROST key, then press the ENTER/ESC key while indicate "ON" on the LED display. The manual defrosting operation starts.

③ Initiation by frost detection

If the suction air temperature does not drop at the speed of 0.2°C/1hr during frozen pull-down operation, defrosting will be initiated because it is judged that frost is formed on the evaporator. However, if the suction temperature is -20°C or lower, defrosting will not be initiated. (activated)

(3) On demand defrost

When "99" in long timer is selected, defrosting is activated upon the condition of frost on evaporator coil. This function is only for Frozen setting (SP < -10.1 deg C). and starting with 12 hours. (If this function is selected for chilled setting, defrost initiates every 6 hours automatically.)

Procedure:

Step 1: After defrost, the controller records compressor running time for 1st 1 hour. (T1)

Step 2: When 12 hours passed after defrost, controller records compressor running time for last 1 hour (T2). And the controller check whether the below condition is satisfied.

$$T2 > T1 \times 1.15$$

Step 3: If the above condition is satisfied, defrost is activated.

If above condition is not satisfied, defrost is postponed another one hour.

After counting up 13 hours, then repeat "Step 2".

Defrost will be postponed every one hour until the above condition (Step 2) is satisfied. (Max. 24 hours)

(4) Defrosting termination

Defrosting will be terminated when any one of the following three conditions is satisfied.

① The below figure is satisfied during defrost.

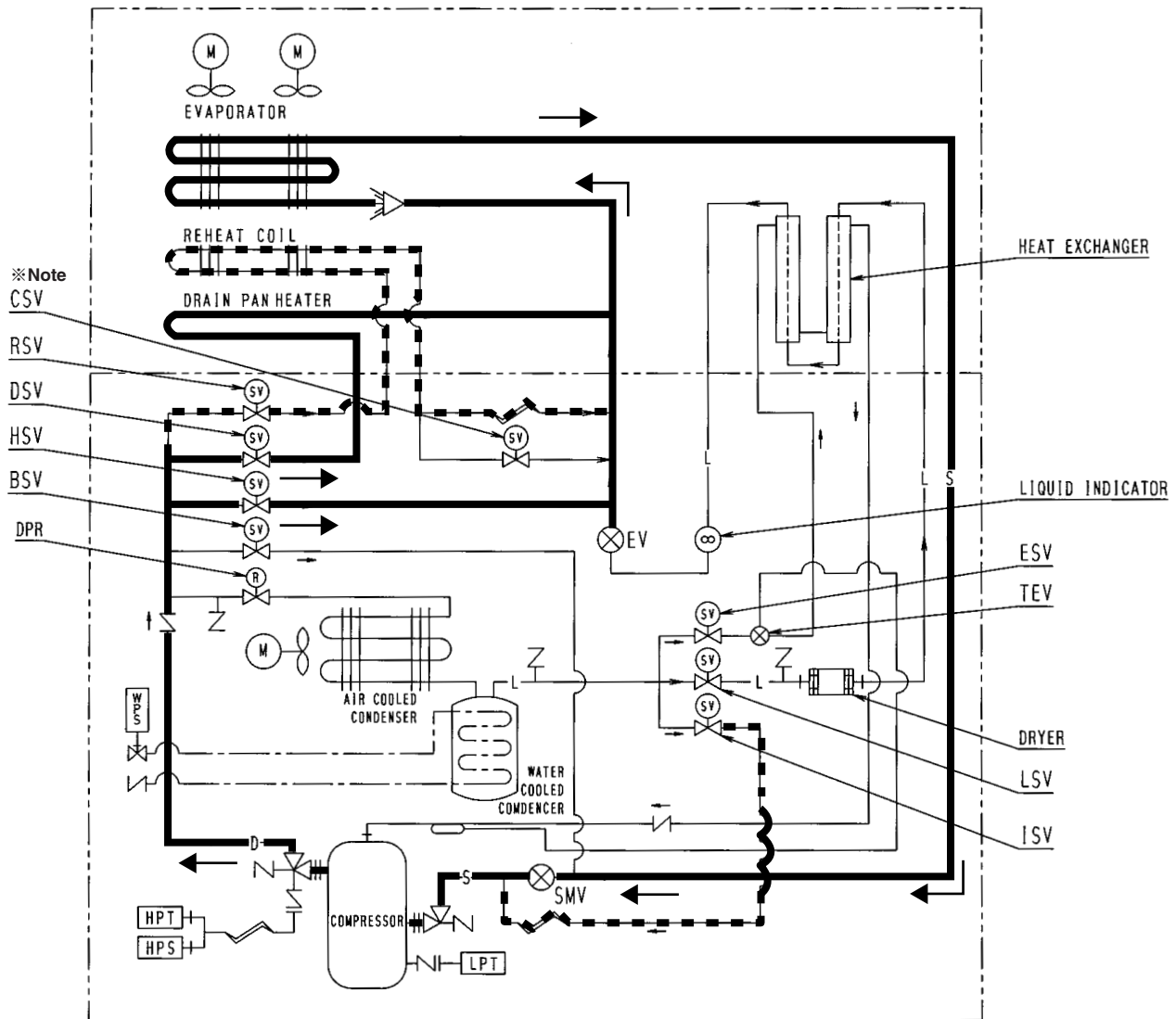
Operating time	Status prior to defrosting	End conditions
Within 30 min. after startup	Inside of range	EOS > 30°C or EIS > 85°C
	Outside of range	EOS > 30°C or EIS > 85°C
30 min. or later after startup	Inside of range	EOS > 30°C or EIS > 85°C
	Outside of range	EOS > 30°C and RS/DRS > 15°C or EIS > 85°C

Note) Table above shows the settings of Software Version 2407 or later.

Settings of Software Version 2406 or earlier come to the end conditions for 30 min. or later after startup listed in Table above, regardless of operating time.

② 90 minutes have elapsed.

③ Any one of protective devices is activated.



※Note : CSV is fitted only for LXE10E-1 but not for LXE10E-1A, 1B, 1C.

2.5.4 Dehumidification

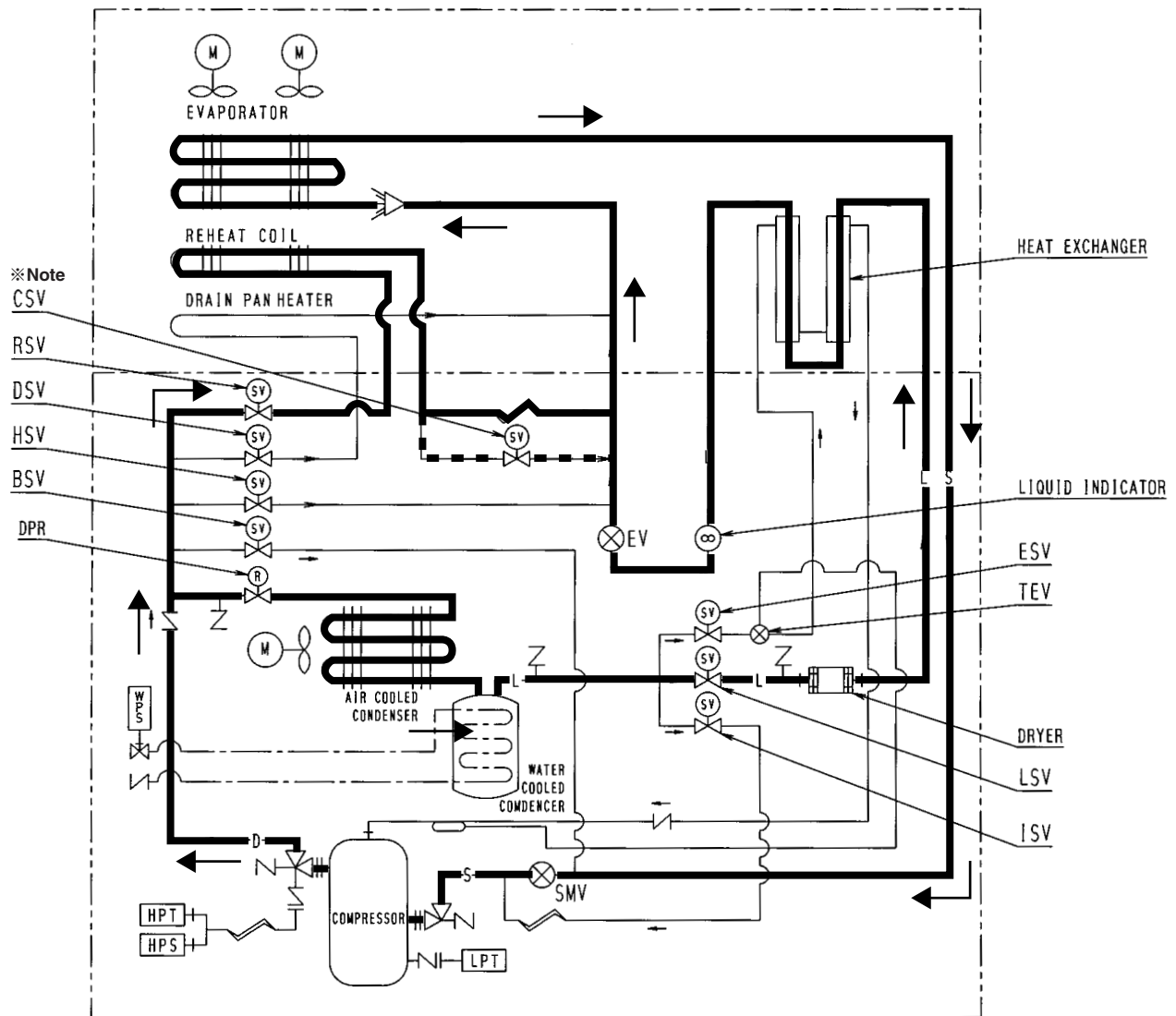
※If reheat coil and humidity sensor (Optional) is equipped:

The unit have dehumidification control by a reheat coil, which is under the evaporator coil. To execute dehumidification, controller setting is required. (Refer to Page 3-12)

In dehumidification, the Reheat Solenoid Valve (RSV)/Capillary Solenoid Valve (CSV ※Note) opens to give high pressurized refrigerant to reheat coil. The "DEHUMID" LED lamp will light up.

The following setting can be made:

- 1) Dehumidification range: 30%RH–95%RH



※Note : CSV is fitted only for LXE10E-1 but not for LXE10E-1A, 1B, 1C.

3.4 Alarm display and back-up function

3.4.1 Alarm list

Alarm grouping	Alarm code	Alarm content	Action with alarm	
Permanent stop	F101	HPS activated within 30 seconds after operation start or protection device activated 5 times at start-up operation or Fuse 1 brown (Refer Page 7-8).	Unit stops	
	F109	Low- pressure drops to-85kPa or lower within 2 seconds after operation start.	Unit stops	
	F111	HPS does not activate when it reaches to the set value.	Unit stops	
	F301	Temperature setting required (SRAM failure)	Unit stops	
	F401	Return/Supply air sensor malfunction (at chilled mode)	Unit stops	
	F403	Return/Supply air sensor malfunction (at partial frozen mode)	Unit stops	
	F603	Suction modulating valve (SMV) does not fully close contrary to the designation or initial setting of the controller is wrong.	Unit stops	
	F701	Abnormal high voltage	Unit stops	
	F705	S phase became open phase	Unit stops	
F803	Abnormalities, which make it impossible to continue operation (Note2.)	Unit stops		
Display alone or restartable alarm	Protection device activation	E101	High-pressure switch activated during normal operation.	Restart after 3-minute
		E103	CTP or electronic OC activated during normal operation.	Restart after 3-minute
		E105	Micro processor OC activated during normal operation.	Restart after 3-minute
		E107	DCHS became abnormal high temperature during operation. In the event the refrigerant circulation rate is low, the unit will stand by for three minutes to restart then.	Restart after 3-minute If this error occurs two times, F803 error will be detected to stop the unit.
		E109	Low pressure drops to-90kPa or lower for 2 seconds or longer successively during normal operation.	Restart after 3-minute
	Control error	E201	Pump down is not completed within 90 seconds.	Only alarm display
		E203	Overcool protection activates in the chilled or partial frozen mode. (Control temperature \leq SP-3°C or for 3 minutes)	Restart after 3-minutes
		E205	Abnormal locked current of evaporator fan motor	Only alarm display
		E207	Defrosting is not completed within 90 minutes	Only alarm display
	Printed-circuit board failure	E303	Humidity setting required (SRAM failure)	Only alarm display
		E305	Defrost timer setting required (SRAM failure)	Only alarm display
		E307	Calendar setting required (SRAM failure)	Only alarm display
		E311	Trip-start setting required (SRAM failure)	Only alarm display
		E315	PT/CT board failure	Restart after 3-minutes
	Sensor alarm	E401	Supply air temperature sensor (SS) malfunction	Back-up operation
		E402	Data recorder supply air temperature sensor (DSS) malfunction	Back-up operation
		E403	Return air temperature sensor (RS) malfunction	Back-up operation
		E404	Data recorder return air temperature sensor (DRS) malfunction	Back-up operation
		E405	Discharge air temperature sensor (DCHS) malfunction	Only alarm display
		E406	Suction gas temperature sensor (SGS) malfunction	Back-up operation
		E407	Evaporator inlet temperature sensor (EIS) malfunction	Back-up operation
		E409	Evaporator outlet sensor (EOS) malfunction	Back-up operation
		E411	Ambient sensor (AMBS) malfunction	Only alarm display
		E413	Low pressure transducer (LPT) malfunction	Back-up operation
		E415	High pressure transducer (HPT) malfunction	Back-up operation
		E417	Voltage sensor (PT1) malfunction	Only alarm display
		E421	Current sensor (CT1) malfunction	Only alarm display
E423		Current sensor (CT2) malfunction	Restart after 3-minutes	
E425		Pulp temperature sensor (USDA1) malfunction	Only alarm display	
E427		Pulp temperature sensor (USDA2) malfunction	Only alarm display	
E429		Pulp temperature sensor (USDA3) malfunction	Only alarm display	
E431	Humidity sensor (HuS) malfunction	Only alarm display		
E433	Cargo temperature sensor (CTS) or box temperature sensor (CBS) malfunction	Only alarm display		
Electronic functional part alarm	E805	Ventilator opening detector error	Only alarm display	
	E603	Suction modulating valve (SMV) malfunction or driver malfunction	Back-up operation	
Power supply alarm	E607	MDS (sheet key) malfunction	Only alarm display	
	E707	Momentary power failure	Restart after 3-minutes	
Operation alarm	E807	FA open error when lower ventilator is opened during frozen operation.	Only alarm displayed	

- Note 1) The alarm LED does not blink when E code alarm is generated.
To check if any alarm generates, use alarm indication function in the section "1. Current indication mode" of "3.3.2 Mode operation procedure."
- 2) In the event error E101, E103, E107, or E109 occurs 10 times, the system will go to 4-hour standby mode.
- 3) In case of sensor malfunction, the judgment for sensor malfunction does not perform for 3 minutes before the pressure or temperature reaches to the specified value.

4.1.3 Automatic Pump Down

An automatic pump down system is applied to the unit to prevent the unit from extra decrease of low pressure due to pump down operation or burning of scroll compressor due to a close stop valve.

(1) Controller operation

- ① Press **M** key twice during operation, and go to Automatic Pump Down Mode.

OFF	LED
P DOWN	LCD

- ② Select "ON" by using **△** or **▽** key, and press **↵** key to start the Automatic Pump Down.

ON
P DOWN

*No displayed in LED during Automatic Pump operation

P DOWN

*When Automatic Pump is completed, "GOOD" is displayed. and the unit stops.

GOOD
P DOWN

- ③ Turn the UNIT ON/OFF switch off.

○ Controller display

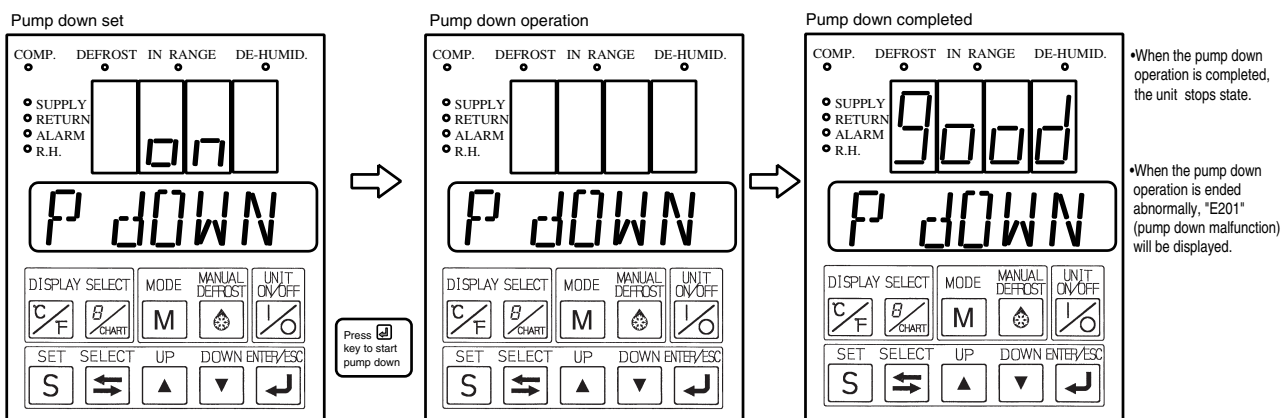


Fig. 2

After the automatic pump down operation, conduct the following jobs.

- ① Replacement of drier

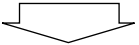
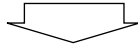
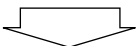
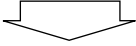
As soon as the automatic pump down operation is complete, replace the drier in order to prevent air from entering the drier inlet/outlet piping. (Refer to 4.2.7 for detail.)
- ② Recovery of refrigerant

Conduct the automatic pump down operation in advance and, then, recover the refrigerant. (Refer to 4.1.4 (2), (3) for more detail.)
- ③ Refrigerant charge

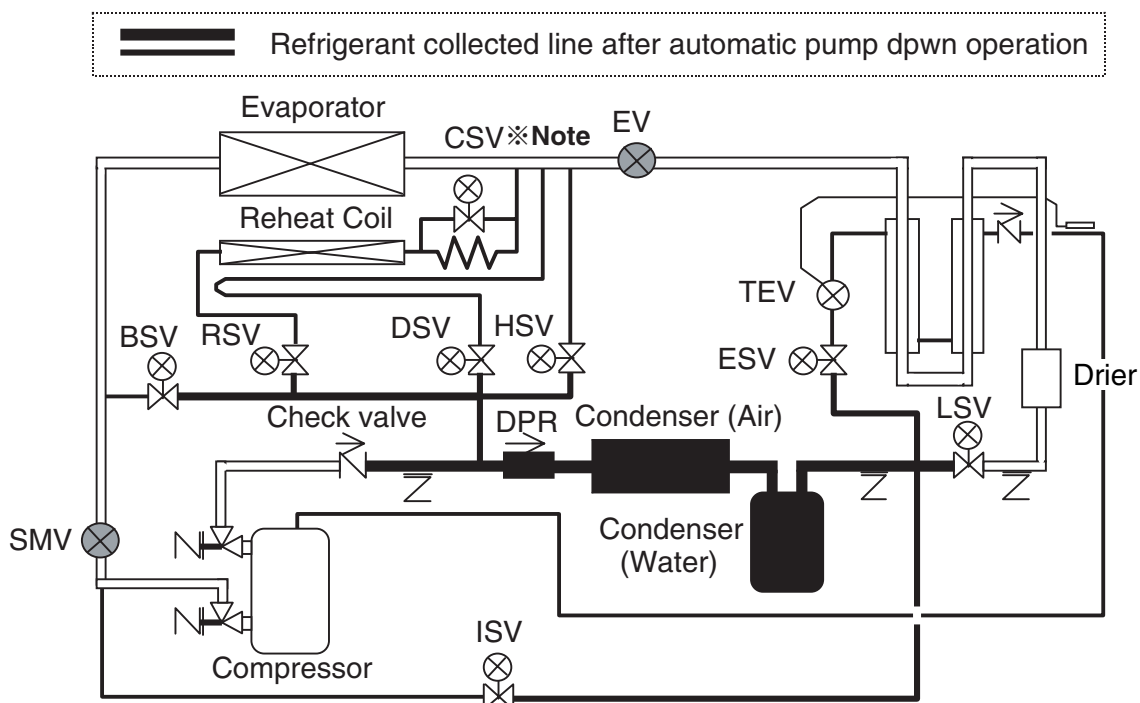
Operate Automatic pump down when the specific refrigerant amount can not be charged due to the pressure balance. (Refer to 4.1.4 (4) for more detail.)

(2) Automatic pump down operation

Once the automatic pump down is started, all of the service works from refrigerant collection into the receiver, to the equalizing in suction piping system, can be executed automatically. When "Good" is displayed, service works such as replacing the dryer, etc. can be conducted without any other operation.

	①	②	③	④	⑤
	[Preparation] Turn on Automatic pump down.  Normal operation for 1 minute.	[Pump down-Twice] ②→③→②→③ Pump down start  Compressor stops at $LP \leq -55kPa$		[Pressure equalizing] Increase pressure to 0 ~300Kpa in low pressure side.	[Termination] EV full close  Termination  GOOD
COMP.	ON	ON	OFF	OFF	OFF
LSV	ON				
EV	ON	ON	ON	ON	ON (full close)
SMV	ON	ON	ON	ON	ON
ESV		ON→OFF			
DSV					
HSV				ON (1st)	
BSV					
ISV				ON (2nd)	
CSV※Note					

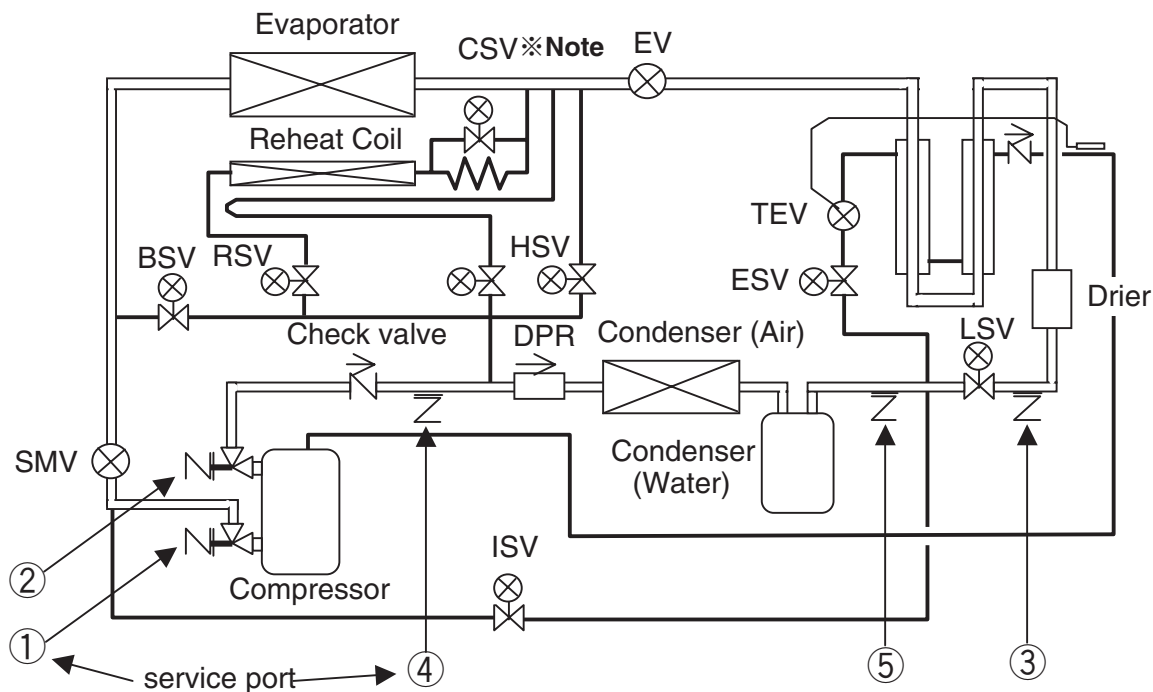
※Note : CSV is fitted only for LXE10E-1 but not for LXE10E-1A, 1B, 1C.



※Note : CSV is fitted only for LXE10E-1 but not for LXE10E-1A, 1B, 1C.

4.1.4 Refrigerant Recovery and Charge

Schematic diagram

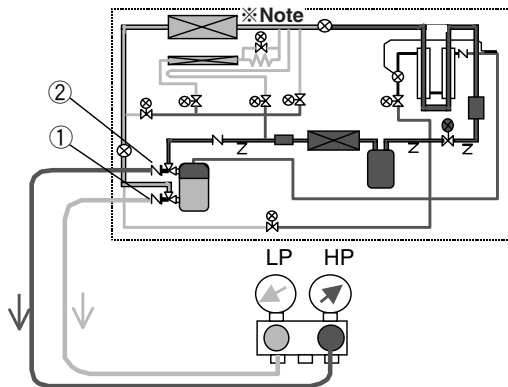


※Note : CSV is fitted only for LXE10E-1 but not for LXE10E-1A, 1B, 1C.

Service work		Service port	Remarks
Pressure Check	High pressure	②	Take care that the high pressure at the port ④ & ⑤ will be keeping for a while after the unit stops. (④ & ⑤ are in closed line between check valve and LSV.)
	Low pressure	①	
Refrigerant Charge (R134a : 5.4Kg)	[1] Refrigerant Recovery	⑤	Recover refrigerant from port ⑤ after operating Automatic Pump-Down first.
		④ & ⑤	Recover completely refrigerant left in the unit port ④ & ⑤.
	[2] Vacuum & Dehydration	④ & ⑤	After recovering, vacuum from port ④ & ⑤. *BSV,DSV,HSV & ISV are reversible in flow. *The connection at port ④ is same size as at ① for low pressure .
		⑤→③	After cavuuming, charge liquid refrigerant from ⑤ first and then from ③.
[3] Liquid charging	⑤→③	If not reached to the specified amount 5.4kg, go to next below.	
	③	1. Operate Automatic Pump-Down first and stop it using ON/OFF switch when the compressure stops during the Auto P.-D. operation. 2. Charge liquid refrigerant from port ③.	

(1) Operation Pressure Check

Check high pressure from the service port ② on the compressor discharge. Check low pressure from the service port ① on the compressor suction. Then stop valves is half open.



※Note : CSV is fitted only for LXE10E-1 but not for LXE10E-1A, 1B, 1C.

(2) Recovery non-condensable gas

If air or other non-condensable gas exists in the refrigerant circuit, it is accumulated in the condenser, which raises pressure in the condenser abnormally high and reduces the heat transfer ratio of the condenser surface resulting in a decrease of the refrigerating capacity. It is, therefore, very important to remove non-condensable gas.

If the discharge pressure is abnormally high and does not return to the normal pressure, inspect if air or any other non-condensable gas exists by the following procedure.

●Conduct automatic pump down operation (see page 4-3) and stop the unit after collecting the refrigerant into the liquid receiver.

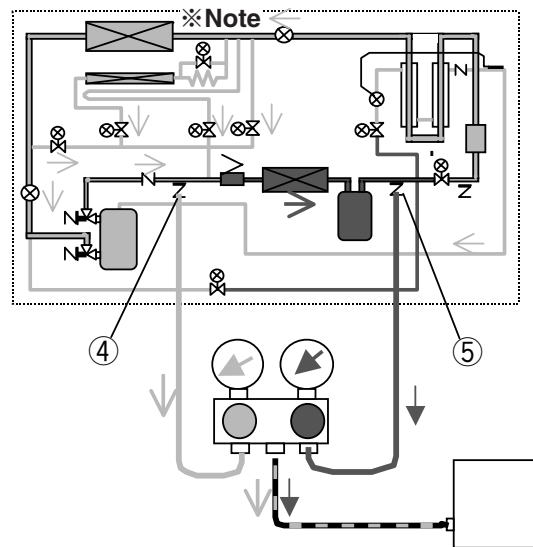
Run the condenser fan by using the condenser fan check (see page 3-56) in the manual check functions, and wait until the condenser cooling air inlet/outlet temperatures become equal. If there is any difference between the saturated pressure corresponding to cooling air temperature and condensing pressure, then non-condensable gas exists. In this case, recover non-condensable gas as stated below.

- ①Conduct automatic pump down
- ②Then collect the gas from the service port ② on the compressor discharge side.

- ③Reading the pressure gauge, collect the non-condensable gas repeatedly until condensing pressure equals saturated pressure.

(3) Refrigerant Recovery

- ①Operate Automatic Pump Dpwn.
- ②Recover refrigerant from port ⑤.
- ③Recover completely refrigerant left in the unit from ports ④ & ⑤.



※Note : CSV is fitted only for LXE10E-1 but not for LXE10E-1A, 1B, 1C.

(4) Vacuum-dehydrating, and refrigerant / charging

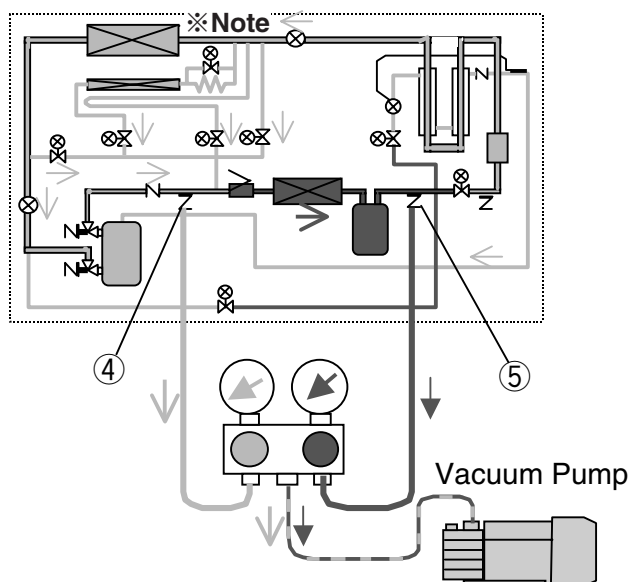
If all the refrigerant has leaked out and air is intermixed in the refrigeration circuit, remove the cause of trouble and carry out vacuum-dehydrating. Then charge the specified amount of refrigerant.

[Required tools]

1. Refrigerant cylinder (content of 20kg) equipped with joint for HFC134a
2. Gauge manifold with quick joints
3. Weighing scale (up to 50kg)
4. Vacuum pump

(a) Vacuum dehydrating

After recovering, connect the vacuum pump to the service ports ④ and ⑤ at the liquid receiver outlet piping and discharge pressure regulating valve inlet, and then vacuum up to 76cmHg. Disconnect the vacuum pump, holding the refrigerant circuit in the vacuum state. However, if air enters in the refrigerant circuit, vacuum up the circuit to 76cmHg and then vacuum the circuit for another 2 hours or more.



※Note : CSV is fitted only for LXE10E-1 but not for LXE10E-1A, 1B, 1C.

(b) Cylinder weight recording

Place a refrigerant cylinder on the weighing scale, and record the weight of the cylinder.

(c) Charging of liquid refrigerant

1. After vacuum & dehydration, charge the liquid refrigerant from port ⑤. (Approx. 50% of the specified amount will be charged.)

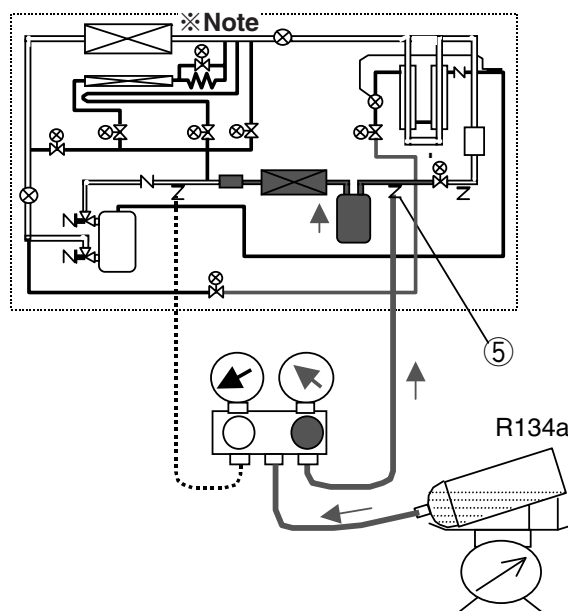


Figure 1

※Note : CSV is fitted only for LXE10E-1 but not for LXE10E-1A, 1B, 1C.

2. Replace the manifold gauge hose to port ③ and add the liquid refrigerant. Then if it reached to the specified amount close the cock of the refrigerant cylinder.

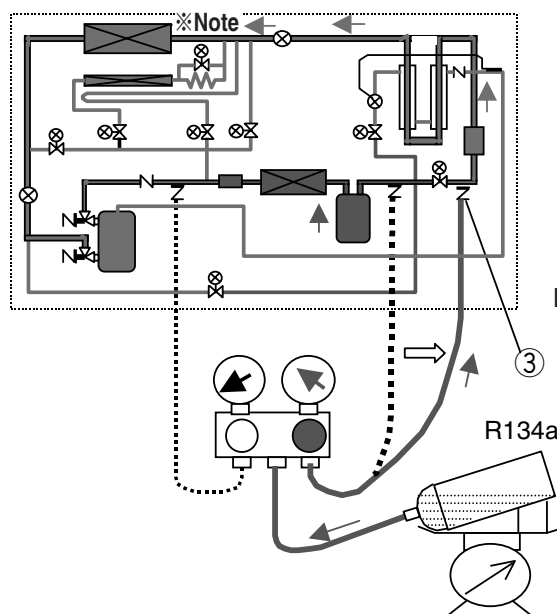


Figure 2

※Note : CSV is fitted only for LXE10E-1 but not for LXE10E-1A, 1B, 1C.

(2-3) Removal of mounting plate

Check the following table to see if the mounting plate should be removed. If the mounting plate must be removed, remove the four screws and dismount the mounting plate.

Over current setting and removal of mounting plate

Model		Spare parts	LXE5C	LXE10C	LXE10D	LXE10D LXE10E
Type		—	Dual 5HP	Dual 10HP		Single 10HP
Over current setting value		—	8.5A	15A		26A
Jumpers	J3	⊖—⊖	○ ○	○ ○		⊖—⊖
	J2	⊖—⊖	⊖—⊖	○ ○		○ ○
	J1	⊖—⊖	○ ○	⊖—⊖		○ ○
Mounting plate		Provided	Not to be removed	Not to be removed	To be removed	To be removed

○ ○ : Cut jumper

⊖—⊖ : Do not cut jumper

(3) Replacement procedure



CAUTION

Be sure that the main power is disconnected.

- ① Disconnect the wires routed via CT1 and CT2 from the terminals.
※At this time, take care to prevent CT1 and CT2 from being damaged.
- ② Disconnect the connector (CN1) for the controller and the connector (CN2) for the main circuit.
- ③ Remove four mounting nuts.
- ④ After replacing the PT and CT board, connect the lead wired in reverse order of the above removal procedure.
- ⑤ After checking the wiring once, test-run the system to verify that no trouble is found.

4.2.4 Electronic expansion valve

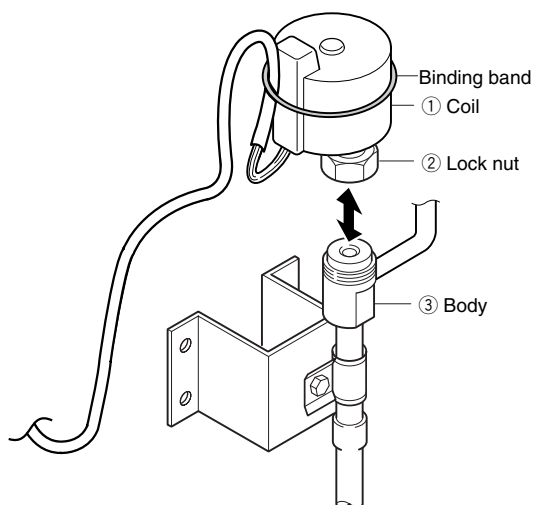
- Model Coil : EBM-MD12DM-1
Body : EDM-B804DM-1

This unit adopts an electronic expansion valve. The electronic expansion valve controls the optimum refrigerant flow rate automatically, using the temperature sensor at the evaporator inlet and outlet pipes.

In case of emergency including controller malfunctions, refer to the chapter of troubleshooting, section 6.4, Emergency operation.

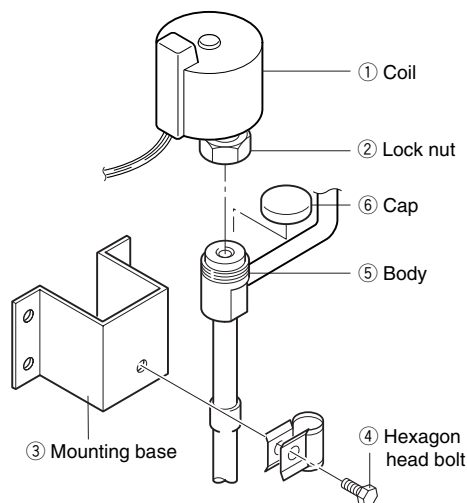
(1) Replacing the coil (After LXE10E-1A)

- ① Cut the binding bands which fasten the lead wires.
- ② Disconnect the lead wire connector.
- ③ Loosen the lock nut, then remove the coil from the body.
- ④ Install a new coil. Apply the small amount of "Lock-tight" to seal surface and screw of EV body (Don't apply too much "lock-tight".) The tightening torque for installation is 13.7 to 15.7 N · m (134 to 164kgf · cm).
- ⑤ Restore the binding bands and the lead wire connector into the original state.
- ⑥ After replacing, carry out refrigerant leakage check, and make sure that there are no leaks.

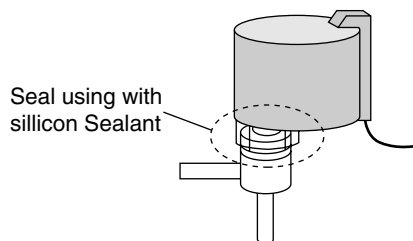


(2) Replacing the body

- ① Loosen the lock nut, then remove the coil.
- ② Remove the hexagonal head bolts, and cut the pipe on the body, then remove remaining pipes from brazing parts.
- ③ Connect a new body to the pipes. Be sure to conduct brazing work while cooling the body below 120°C (248°F) by using wet cloths.
- ④ Fix the body to the mounting base.
- ⑤ Remove the cap, and mount the coil. Apply the lock-tight to circumference of seal surface and screws for EV body. Do not apply too much lock-tight.



- ⑥ Apply a silicon sealant to the lock nut section.

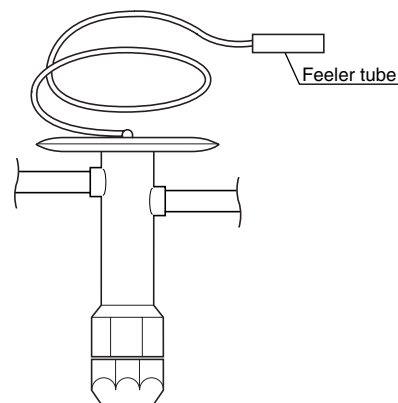


- ⑦ Clamp the lead wire to EV coil body. The edge of the wire protection vinyl tube shall be faced downward to avoid water coming into wire.

4.2.5 Thermostatic expansion valve (TEV)

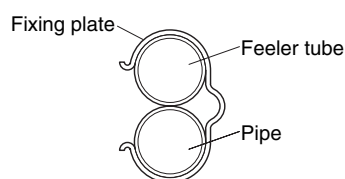
● Model : VTX-3410DMS

This is an internal equalizer type of thermostatic automatic expansion valve and installed at the inlet to the heat exchanger (i.e., Economizer), which is used to detect the superheated degree of outlet refrigerant of the heat exchanger (Economizer) and make automatic adjustment of optimum refrigerant amount in response to operation conditions.



(1) Replacement procedure

- ① Remove the feeler tube and fixing bracket from the valve.
- ② Cut the pipe on TEV, then remove remaining pipes from brazing parts.
- ③ Connect a new TEV to the pipes. Be sure to conduct brazing work while cooling TEV below 120°C (248°F) by using wet cloths.
- ④ Reinstall and fix the feeler tube and capillary. As shown in the figure below, install the feeler tube directly above the pipe.



- ⑤ Cover the capillary tube with the heat shrincable tube.

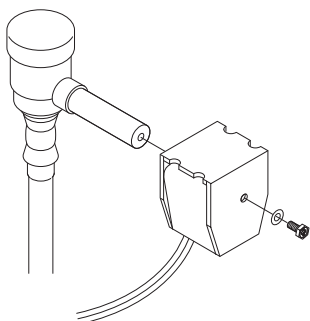
4.2.8 Solenoid valve

Two kinds of solenoid valves are employed for the unit.

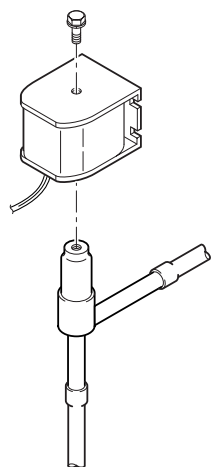
Coil is common and replacement procedure is also almost the same for all types of valves.

Valve name	Symbol	Valve type	Type of coil
Economizer Solenoid valve.	ESV	NEV-202DXF	NEV-MOAB507C
Injection Solenoid valve.	ISV		
Discharge gas by-pass Solenoid valve.	BSV	NEV-803DXF	
Liquid Solenoid valve.	LSV		
Defrosting Solenoid valve.	DSV		
Hot gas Solenoid valve.	HSV		
Reheat Solenoid valve.	RSV		
Capillary Solenoid valve. ※Note	CSV		

※Note : CSV is fitted only for LXE10E-1 but not for LXE10E-1A, 1B, 1C.



NEV-803DXF
Fig. 1



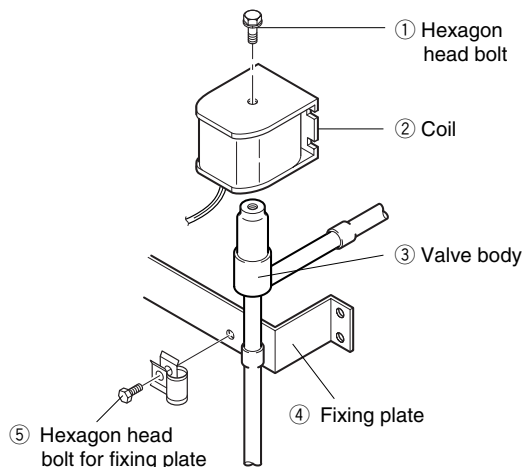
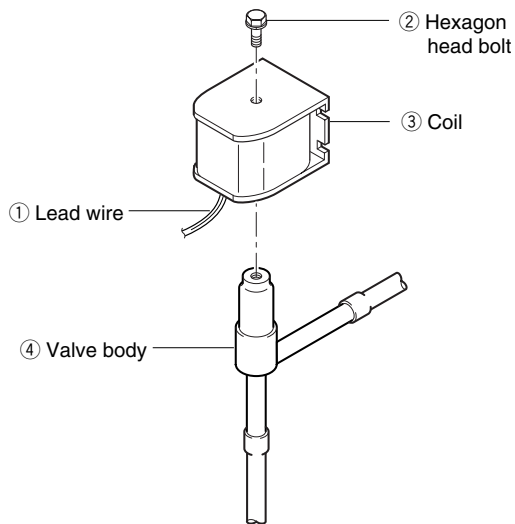
NEV-202DXF
Fig. 2

(1) Replacing the coil

- ① Remove the lead wire connector from the inside of the control box, and cut and recover the binding band which fastens the lead wire.
- ② Remove the hexagonal head bolt on the top of the coil to pull the coil out.
- ③ Replace the coil with a new one and restore the hexagonal head bolt, the binding band and connector on the original position.
When reassembling the coil, the tightening torque should be 2.9 N · m (30 kg · cm).

(2) Replacement of valve body

- ① Remove the hexagonal head bolt on the top of the coil to pull the coil out.
- ② Remove the hexagonal head bolt of the fixing plate, and cut the two pipes at the side of the valve body.
Disconnect the remaining pipes at the brazed joint sections.
- ③ Insert the new valve body into the pipe and conduct brazing while keeping the temperature of the valve body below 120 °C (248 °F) by cooling.
- ④ Install the coil and restore the hexagonal head bolt of the fixing plate and the connector into their original position.



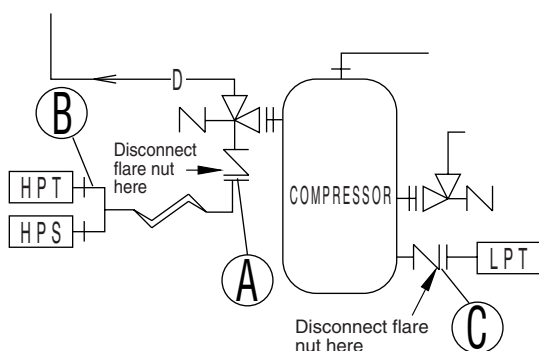
4.2.11 High-pressure switch (HPS)

- Model ACB-KB15
- Set point OFF : 2400kPa (24.47kg/cm²)
ON : 1900kPa (19.37kg/cm²)

When the refrigeration pressure of the unit rises abnormally, the compressor stops for safety. The HPS will be activated when the pressure exceeds the set point, as a result of trouble with the condenser fan.

(1) Replacement procedure

- ① Disconnect the lead wire from the control box.
- ② In order to prevent refrigerant from flowing out, disconnect the high-pressure gauge piping from the gauge joint (with check valve) **(A)** on the compressor side.
- ③ Remove the flare nut **(B)** and mounting screws of HPS on the casing at the left side of the compressor.
- ④ Replace the HPS. After tightening the flare nut **(B)**, tighten the flare nut **(A)**.
- ⑤ After tightening **(A)**, slightly loosen the flare nut **(B)**, remove air, and retighten **(B)**.
- ⑥ After replacing carry out the refrigerant leakage check, and make sure that there are no leaks.



4.2.12 Low pressure transducer (LPT)

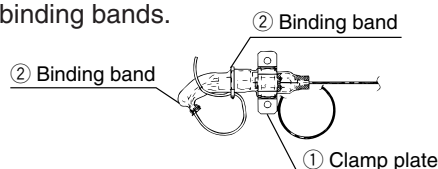
Model	LXE10E-1,1A	LXE10E-1B,1C,1D
Transducer type	SPCL02	NSK-BC010F
Identification color	Transducer	Blue seal
	Connector	Blue tape
		Black body
		Nothing

The LPT is located in the refrigerant circuit.

The operating low pressure value is displayed on the controller indication panel.

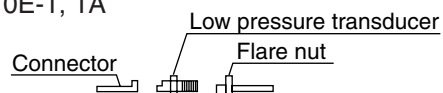
(1) Replacing the transducer

- ① Disconnect the lead wire from the control box.
- ② In order to prevent refrigerant from flowing out, disconnect the low-pressure transducer piping from the gauge joint (with check valve) **(C)** on the compressor side.
- ③ Remove two screws on the clamp plate fixing low pressure transducer in place, and cut the binding bands.

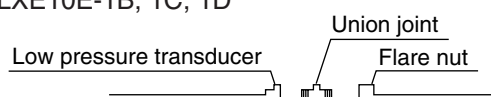


- ④ Remove the heat shrinkage tube, and disconnect the connector from the low pressure transducer.

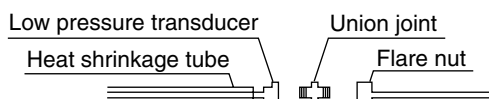
● LXE10E-1, 1A



● LXE10E-1B, 1C, 1D



- ⑤ Insert the pressure transducer cable through the heat shrinkage tube, and connect the union joint and connector to the new low pressure transducer. If paint on the low pressure transducer is peeled off, apply clear lacquer.

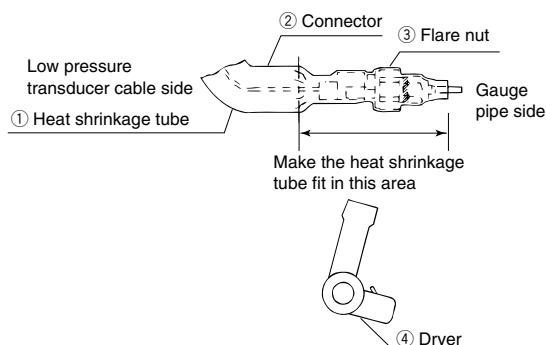


CAUTION

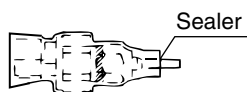
Do not expose the low pressure transducer to hot air of a dryer for excess time.

Otherwise, the transducer may be damaged.

- ⑥ Apply the heat shrinkage tube in the following position, then shrink it with hot air of a dryer.

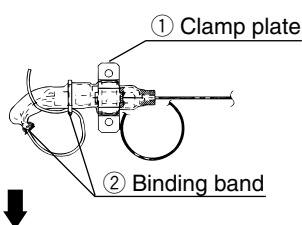


- ⑦ Apply sealer between the heat shrinkage tube and the flare nut. (Sealer :KE4898)



- ⑧ Fix the low pressure transducer with the clamp plate, and fix the cable with the binding band.

Fix the shrinkage tube end of the cable side downward for prevention of water entering into the tube.



Fix the tube directing the end downward

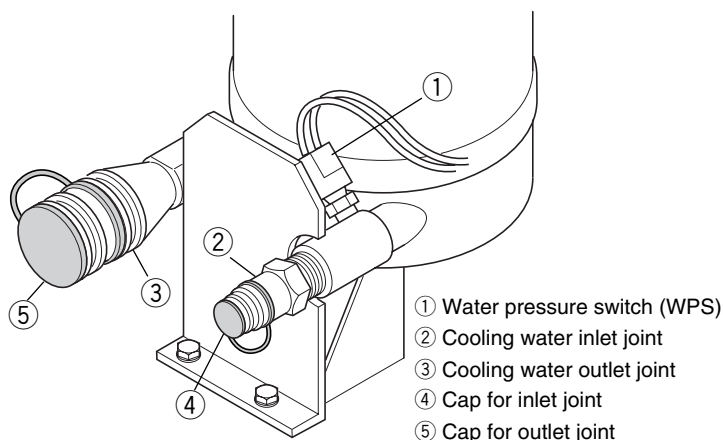
4.2.14 Water pressure switch (WPS)

- Type: LCB-MB10
- Set value: OFF 98kPa (at 1.0-kg/cm² pressure)
ON 39kPa (at 0.4 kg/cm² pressure)

- This switch is used to select air-cooled operation or water-cooled operation. When the cooling water flows to provide an inlet water pressure of the set value or more, a contact in the switch turns OFF to stop the condenser fan, thus switching the unit to water-cooled operation.

(1) Replacement procedure

- ① Disconnect the WPS cable from the controller terminal board.
- ② Stop the cooling water pump and make sure no water pressure is applied. Then, disconnect the WPS.
- ③ Replace the WPS and wrap dry seal tape around the threaded part. Then, tighten a new WPS.



- ① Water pressure switch (WPS)
- ② Cooling water inlet joint
- ③ Cooling water outlet joint
- ④ Cap for inlet joint
- ⑤ Cap for outlet joint

4.2.13 High pressure transducer (HPT)

Model	LXE10E-1,1A	LXE10E-1B,1C,1D
Transducer type	SPCH01	NSK-BC030F
Identification color	Transducer	Red seal
	Connector	Red tape
		Red & Brown body
		Nothing

The HPT is located in the refrigerant circuit.

The operating high pressure value is displayed on the controller indication panel.

(1) Replacement procedure

The replacement procedure is the same as that for the low pressure transducer.

Make sure that the fixing position and the cable connection is correct.

4.2.15 Humidity sensor

Please replace sensor every 2 years.

(The accuracy of sensor shall be kept within $\pm 5\%$ RH)

Alarm code	Content	Possible cause		
E201	Pump-down does not end within 60 seconds.	Injection solenoid valve does not close.	Wrong wiring	
			Coil burned out	
			Coil fell out	
		Leakage of hot gas solenoid valve	Valve blocked with contamination	
		Defrosting solenoid valve	Valve blocked with contamination	
Discharge gas by-pass solenoid valve	Valve blocked with contamination			
E203	Overcool protection function actuate (control sensor \leq SP- 3.0) in the chilled or partial frozen mode for 3 minutes or longer.	Suction modulating valve does not operate.	Lead wire breakage	
			Wrong wiring	
E205	Abnormal current of evaporator fan motor is detected	Insufficient evaporator fan air flow rate (Only for partial frozen mode)	Coil burned out	
			Adopter PCB is defective	
			Valve blocked with contamination	
			Air passage is blocked by foreign materials	
			Evaporator fan damaged	
E207	Defrosting time is 90 minutes long	Evaporator fan motor thermal protector activates	Air short circuit around evaporator	
			Evaporator fan interferes with guide	
			Lead wire breakage	
			Air passage is blocked by foreign material	
E207	Defrosting time is 90 minutes long	Evaporator outlet sensor gets off from the evaporator outlet tube. Insulation pipe cover of evaporator outlet sensor is improperly installed. Evaporator outlet sensor is defective.		
			Defrosting solenoid valve does not open	Lead wire breakage
				Coil burned out
				Valve blocked with contamination
			Hot gas solenoid valve does not open.	Lead wire breakage
				Coil burned out
				Valve blocked with contamination
			Injection solenoid valve does not open	Lead wire breakage
				Wrong wiring
				Coil burned out
Coil fell out				
High-pressure transducer or low-pressure transducer malfunction. Evaporator outlet sensor value is abnormal	Valve blocked with contamination			
	Printed-circuit board malfunction			
	Sensor malfunction			
E303	Humidity setting request	Excessive frosting		
E305	Defrosting interval setting request	CPU board (SRAM) malfunction	Resetting	
E307	Calendar setting request			
E311	Trip start setting request			
E401	Supply air temperature sensor (SS) malfunction	Line breakage Short circuit Wrong wiring	Sensor value is abnormal	
			Printed-circuit board malfunction	
E402	Data recorder supply air temperature sensor (DSS) malfunction	Line breakage Short circuit Wrong wiring	Sensor value is abnormal	
			Printed-circuit board malfunction	
E403	Return air temperature sensor (RS) malfunction	Line breakage Short circuit Wrong wiring	CPU board malfunction	
E404	Data recorder return air temperature sensor (DRS) malfunction	Line breakage Short circuit Wrong wiring	CPU board malfunction	
E405	Discharge temperature sensor (DCHS) malfunction	Line breakage Short circuit Wrong wiring	CPU board malfunction	

Alarm code	Content	Possible cause
E406	Suction gas sensor (SGS) malfunction	Line breakage
		Short circuit
		Wrong wiring
		CPU board malfunction
E407	Evaporator inlet sensor (EIS) malfunction	Line breakage
		Short circuit
		Wrong wiring
		CPU board malfunction
E409	Evaporator outlet sensor (EOS) malfunction	Line breakage
		Short circuit
		Wrong wiring
		CPU board malfunction
E411	Ambient sensor (AMBS) malfunction	Line breakage
		Short circuit
		Wrong wiring
		CPU board malfunction
E413	Low pressure transducer (LPT) malfunction	Line breakage
		Short circuit
		Wrong wiring
		CPU board malfunction
E415	High pressure transducer (HPT) malfunction	Line breakage
		Short circuit
		Wrong wiring
		CPU board malfunction
E417	Voltage sensor (PT1) malfunction	Sensor malfunction
		CPU board malfunction
E419	Voltage sensor (PT2) malfunction	Sensor malfunction
		CPU board malfunction
E421	Current sensor (CT1) malfunction	Sensor malfunction
		CPU board malfunction
E423	Current sensor (CT2) malfunction	Sensor malfunction
		CPU board malfunction
E425 E427 E429	Pulp temperature sensor (USDA1 to 3) malfunction	Wrong wiring in the USDA receptacle.
		Line breakage in the USDA receptacle.
		Short circuit in the USDA receptacle.
		Junction cable breakage
		Junction cable poor contact
		Wrong wiring in the control box
		Short circuit in the control box
		Pulp temperature sensor malfunction
		CPU board malfunction
E431	Humidity sensor (HuS) malfunction	Lead wire breakage
		Wrong wiring
		Humidity sensor malfunction
		CPU board malfunction
E603	Line breakage of suction modulating valve (SMV) or drive circuit malfunction or wrong setting of controller	Lead wire breakage
		Wrong wiring
		CPU board malfunction
		Wrong setting of initial setting of controller (DECOS a, b, c)
E607	Abnormal contact point of manual defrost key (sheet key)	Switch malfunction
		Short circuit
		CPU board malfunction
E707	Momentally power failure	Commercial power supply stops for 40 to 300msec.
E807	Lower ventilator is opened	Lower ventilator is opened during frozen operation

7.4 Resistance of motor coil and solenoid valve coil

Symbol	Parts name	Value of resistance Ω	Remarks
CM	Compressor motor coil	1.780 Ω (@75°C)	
CFM	Condenser fan motor coil	57.2 Ω	
EFM	Evaporator fan motor coil	19.4 Ω	
LSV	Liquid solenoid valve coil	15.2 \pm 1.1 Ω (common)	
HSV	Hot gas solenoid valve coil		
DSV	Defrosting solenoid valve coil		
ISV	Injection solenoid valve coil		
ESV	Economizer solenoid valve coil		
BSV	Hot gas by-pass solenoid valve coil		
RSV	Reheat coil solenoid valve coil		
CSV	Capillary solenoid valve coil ※Note		
EV	Electronic expansion valve coil		
SMV	Suction modulation valve coil	Blue - Yellow : 113 Ω Black - White : 113 Ω	<p>Blue Yellow Black White</p>

※The values of resistance are at room temperature excluding those of compressor.

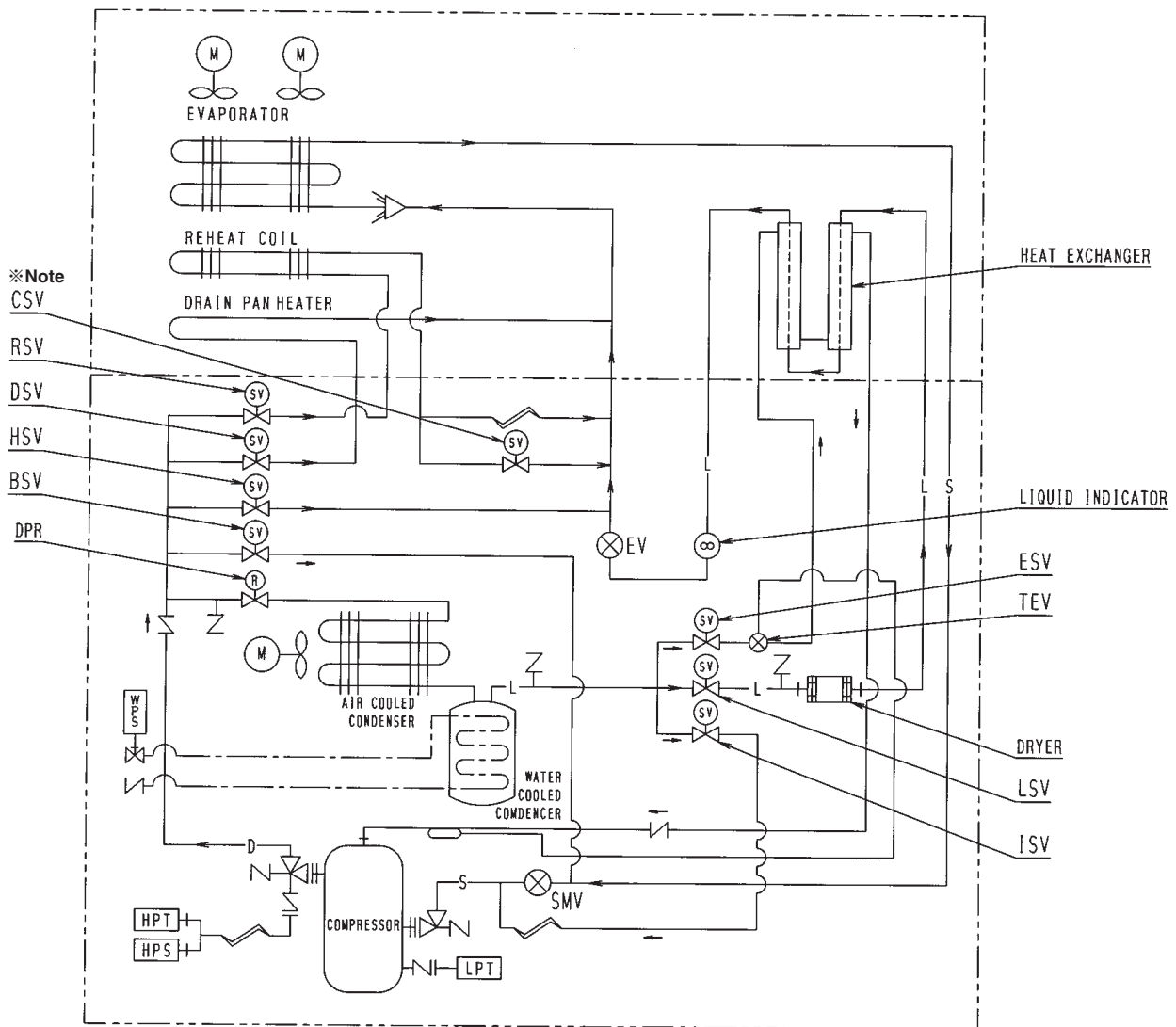
※Note : CSV is fitted only for LXE10E-1 but not for LXE10E-1A, 1B, 1C.

7.5 Standard tightening torque for electronic expansion valve coil (EV coil)

N · m	kgf · cm	lbf · ft
13.7 to 15.7	134 to 164	10.1 to 11.6

7.11 Piping diagram

●LXE10E



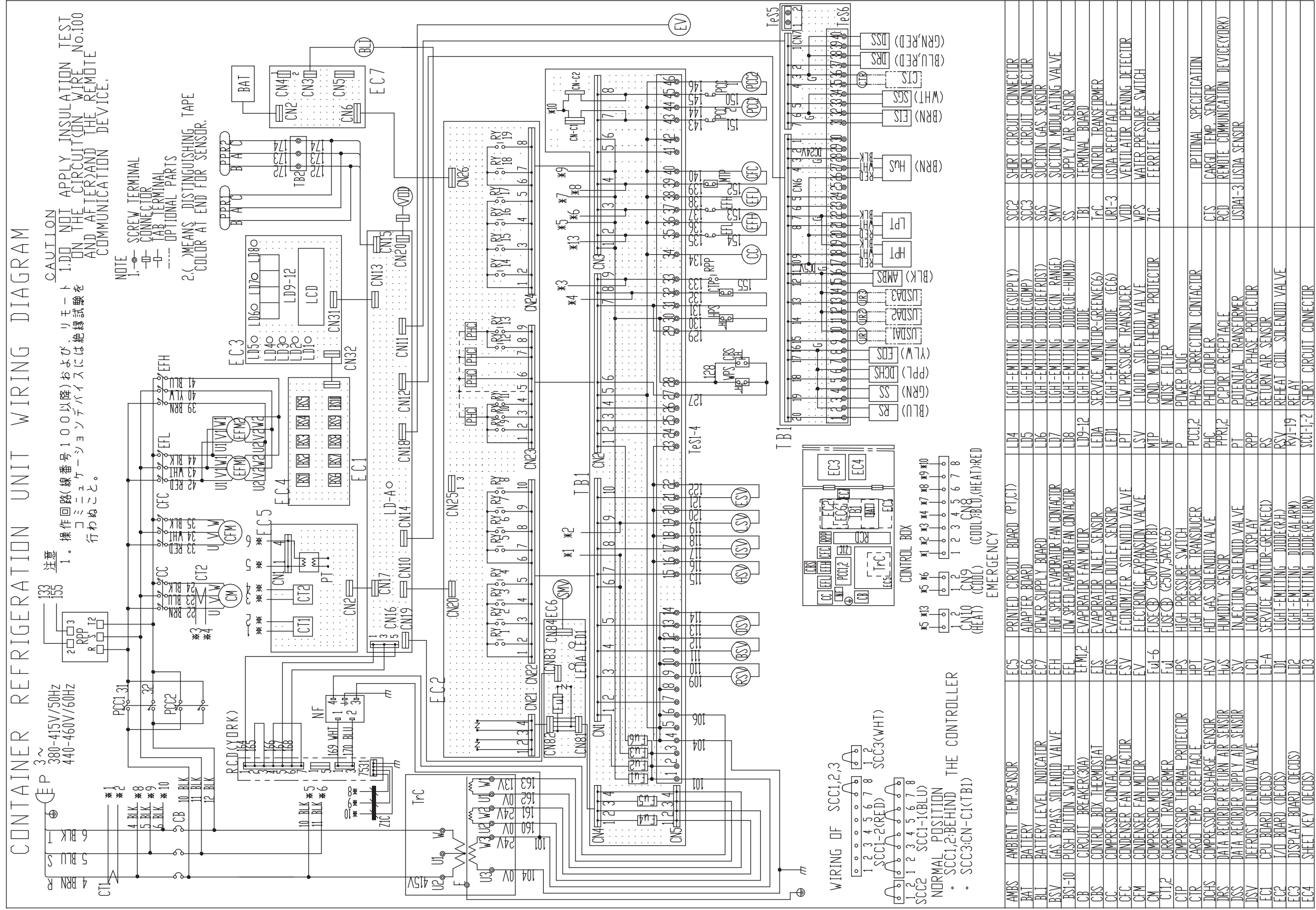
EV:Electronic Expansion Valve SMV:Suction Modulation Valve DPR:Discharge pressure regulator
 LSV:Liquid Solenoid Valve HSV:Hot Gas Solenoid Valve
 DSV:Defrost Solenoid Valve ISV:Injection Solenoid Valve
 ESV:Economizer Solenoid Valve BSV:Discharge Gas Bypass Solenoid Valve
 WPS:Water pressure switch CSV:Capillary Solenoid Valve

※Note : CSV is fitted only for LXE10E-1 but not for LXE10E-1A, 1B, 1C.

<https://daikin-p.ru>

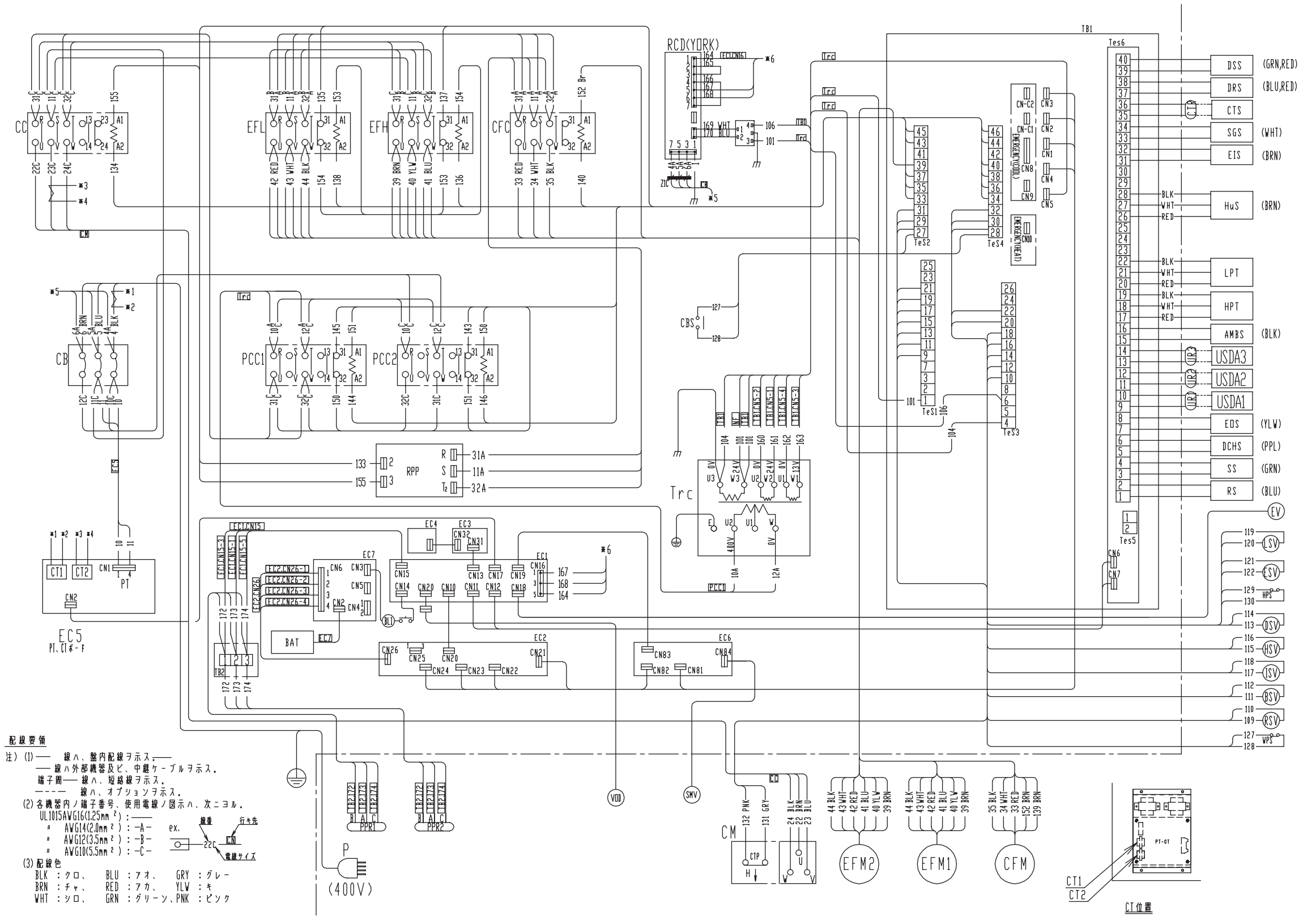
7.14 Schematic wiring diagram

●LXE10E-1A, 1B, 1C, 1D



7.15 Stereoscopic wiring diagram

●LXE10E-1A, 1B, 1C, 1D



掲載機種

本ユニットの主要な特長、取扱い及びアフターサービスについてはLXE10E-1用サービスマニュアル（TR03-08）を参照願います。

下記に各機種、各ソフトウェアバージョンにおける変更点を示す。

表. 各機種における主な変更点

変更内容	機種 LXE10E-1	LXE10E-1A	LXE10E-1B	LXE10E-1C LXE10E-1D	参照ページ
キャピラリー電磁弁CSV	あり	なし	←	←	2-2～5
高圧圧力センサー	SPCH01	←	NSK-BC030F	←	4-24
低圧圧力センサー	SPCL02	←	NSK-BC010F	←	4-23
圧力センサ設置位置	コンプレッサ左側	←	コンプレッサ右側 (電磁弁一列化)	←	2-2～5
EVコイルの中継コネクタ	あり	←	なし	←	4-17
重量 [kg]	505	←	←	490	2-1

表. 各ソフトウェアバージョンにおける主な変更点

ソフトウェアバージョン	変更点	参照ページ
2404	チルドモード設定温度範囲：-5.0℃→10.0℃	2-16
2406	エラーコードE205(蒸発器ファンのロック電流の異常検知)の追加	3-33
2407	マニュアルデフロスト終了条件の設定変更	2-23

目次

取扱上の注意	
・危険	3
・警告	4
・注意	5
1. 概要	1-1
1.1 運転範囲	1-1
1.2 各部の名称	1-1
1.3 運転操作	1-2
1.3.1 運転準備	1-2
1.3.2 運転準備と操作	1-3
1.3.3 運転中の点検	1-4
1.3.4 停止後の処置	1-4
1.3.5 ベンチレータの開閉	1-5
2. 製品データ	2-1
2.1 仕様	2-1
☆2.2 部品名称	2-2
2.2.1 庫外側	2-2
2.2.2 庫内側	2-4
2.2.3 コントロールボックス	2-6
2.3 機能部品・保護装置の設定値	2-9
2.4 運転圧力と電流値	2-10
2.5 運転モードと制御	2-14
2.5.1 フローズン運転	2-15
☆2.5.2 チルド運転	2-17
2.5.3 デフロスト運転	2-19
2.5.4 除湿制御運転	2-22
2.5.5 共通制御	2-23
3. 電子式コントローラ	3-1
3.1 機能	3-1
3.2 電子式コントローラの基本操作	3-3
3.2.1 コントロールパネル	3-3
3.2.2 設定温度と運転モード	3-5
3.3 操作方法	3-6
3.3.1 操作方法フローチャート	3-6
3.3.2 各表示モード操作方法	3-9
1.カレント(運転状態)表示モード	3-9
2.運転設定モード	3-10
3.電池モード	3-11
4.モード運転	3-12
5.表示(LED部)消灯モード	3-15
6.センサ表示モード	3-16
7.温度記録スクロールモード	3-19
8.アラーム記録スクロールモード	3-22
3.3.3 設定フローチャート	3-24
10.オプション機能設定モード	3-26
11.基本機能設定モード	3-27
12.オプション条件機能設定モード	3-29
13.インプットデータモード	3-31
14.コントローラソフトダウンロードモード	3-32
☆3.4 アラーム表示とバックアップ機能	3-33
3.4.1 アラーム一覧表	3-33
3.4.2 センサ異常時のバックアップ運転	3-34
3.5 電池	3-36
3.5.1 仕様	3-36
3.5.2 機能	3-36
3.5.3 バッテリーチェック	3-36
3.5.4 バッテリー交換(充電電池)	3-37
3.6 パソコンとの情報交換	3-38
3.6.1 データロギング	3-39
3.6.2 パソコンソフトの構成	3-40
3.7 コントローラの点検方法	3-42
3.8 コントローラの交換および初期設定	3-43
3.8.1 コントローラの交換	3-43
3.8.2 イニシャル設定&操作要領	3-44
3.9 PTI(使用前点検)と定期点検	3-45
3.9.1 点検項目	3-46
3.9.2 自動PTI	3-49
3.9.2.1 PTI選択モード	3-50
3.9.2.2 S.PTI	3-51
3.9.2.3 F.PTI	3-52
3.9.2.4 PTI(使用前点検)中のアラーム一覧	3-54
3.9.2.5 M.CHECK	3-55
3.10 チャートレス機能	3-57
3.10.1 チャート表示機能	3-57
3.10.2 Pコード(プルダウンタイム表示)	3-59
3.10.3 チャートレスコード	3-60
3.10.3.1 チャートレスコード一覧	3-60
3.10.3.2 Hコード	3-61
3.10.3.3 dコード	3-63
3.11 通信モデム	3-64
4. サービスとメンテナンス	4-1
4.1 サービスの方法	4-1
4.1.1 冷媒の回収	4-1
4.1.2 ゲージマニホールドの取付け、取外し	4-1
4.1.3 自動ポンプダウン	4-3
☆4.1.4 冷媒の回収および充填	4-5
4.2 主要機器とメンテナンス	4-9
4.2.1 スクロール圧縮機	4-9
4.2.2 ファンおよび電動機	4-15
4.2.3 PT/CTボード(EC9756)	4-16
☆4.2.4 電子膨張弁	4-17
4.2.5 温度式膨張弁 (TEV)	4-18
4.2.6 吸入比例弁	4-19
4.2.7 ドライヤ	4-20
☆4.2.8 電磁弁	4-21
4.2.9 吐出圧力調整弁	4-22
4.2.10 逆止弁	4-22
4.2.11 高圧圧力開閉器 (HPS)	4-23
☆4.2.12 低圧圧力センサ (LPT)	4-23
4.2.13 高圧圧力センサ (HPT)	4-24
4.2.14 水用圧力開閉器 (WPS)	4-24
4.2.15 湿度センサー	4-24
4.2.16 換気口開度検知器 (FAセンサー)	4-25
4.2.17 空冷凝縮器、蒸発器	4-25
4.2.18 水冷凝縮器	4-26
4.2.19 可溶栓	4-26
4.2.20 リキッド/モイスチャーインジケータ	4-26
4.2.21 真空乾燥	4-27
5. 附属機器	5-1
5.1 USDA低温処理輸送	5-2
5.1.1 USDAセンサー、レセプタクルの型式	5-3
5.1.2 初期設定	5-3
5.1.3 USDAセンサーキャリブレーション	5-3
5.1.4 USDA低温処理輸送要件	5-3
5.1.5 USDAレポート	5-3
6. 故障診断	6-1
6.1 冷媒システム・電気システム	6-1
☆6.2 電子式コントローラ	6-5
6.3 自動PTIのトラブルシューティング(Jコード)	6-10
6.4 緊急運転の方法	6-12
6.4.1 コントローラの緊急運転	6-12
6.4.2 コントローラの短絡運転	6-13
6.4.3 電子膨張弁の緊急運転	6-14
6.4.4 吸入比例弁の緊急運転方法	6-15
6.4.5 吹出センサ・吸入センサ緊急運転	6-16
7. 付図	7-1
7.1 ボルトの標準締付トルク	7-1
7.2 フレヤナットの標準締付トルク	7-1
7.3 閉鎖弁の標準締付トルク	7-1
☆7.4 モータコイル及び電磁弁コイルの抵抗値	7-2
7.5 電子膨張弁コイルの標準締付トルク (EVコイル)	7-2
7.6 HFC134a、温度-蒸気圧特性表	7-3
7.7 温度換算表と温度センサ (SS/RS/DSS/DRS/RSS/RRS/EIS/EOS/SGS /AMBS) 特性表	7-4
7.8 温度換算表と温度センサ(DCHS)特性表	7-5
7.9 高圧圧力センサ特性表	7-5
7.10 低圧圧力センサ特性表	7-5
7.11 圧力換算表	7-6
☆7.12 配管系統図	7-7
7.13 電気配線	7-8
7.14 ヒューズ保護対象表	7-9
☆7.15 シーケンス	7-10
☆7.16 実体配線図	7-11

2. 製品データ

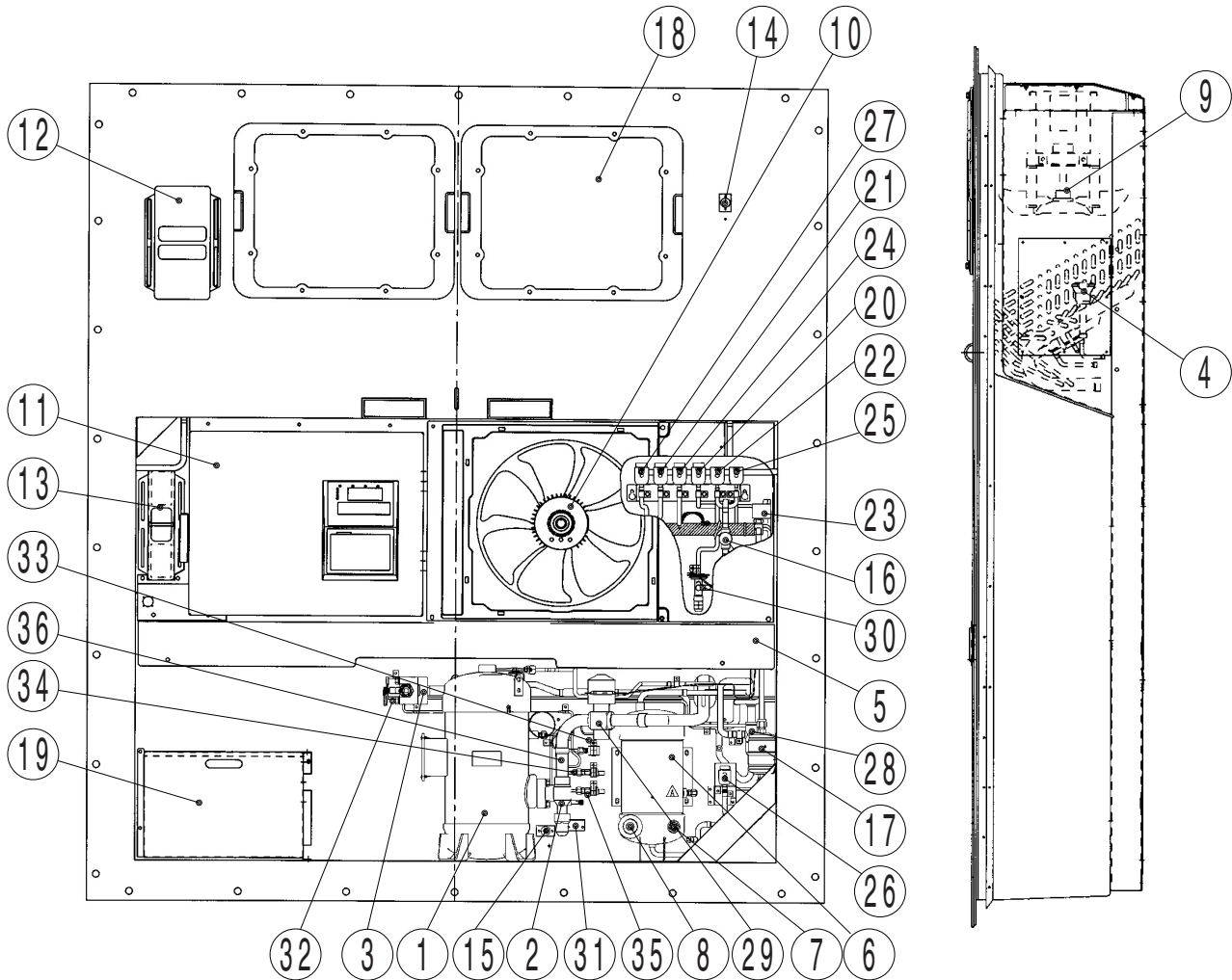
2.1 主仕様

機種名		LXE10E
項目		
凝縮器冷却方式		空冷形
コントローラ		DECOSⅢd
電源		AC 3相 380V/400V/415V 50Hz、440V/460V 60Hz
圧縮機		全密閉スクロール形（モーター出力：5.5kW）
蒸発器		クロスフィンコイル式
空冷凝縮器		クロスフィンコイル式
水冷凝縮器		シェルアンドコイル式
蒸発器ファン		プロペラファン
蒸発器ファン用電動機		3相カゴ形誘導電動機
凝縮器ファン		プロペラファン
凝縮器ファン用電動機		3相カゴ形誘導電動機
デフロスト	方式	ホットガスデフロスト
	開始	デュアルタイマ、オンデマンドデフロストおよびマニュアルスイッチ
	終了	蒸発器出口管および吸込空気温度検知
冷媒制御		電子式膨張弁
能力制御		吸入比例弁およびホットガスバイパスによる能力制御
保護・安全装置		サーキットブレーカ、PT/CTボード（過電流保護用）、 圧縮機保護サーモ 凝縮器ファン用電動保護サーモ、 蒸発器ファン用電動保護サーモ、 高圧圧力開閉器、可溶栓、ヒューズ（10A、5A）
冷媒（充填量）		R134a：5.4（kg）
冷凍機油（充填量）		IDEMITSU, Daphne hermetic oil FVC 46D：2.2（ℓ）
重量		LXE10E-1,1A,1B：505（kg）、LXE10E-1C：490（kg）

2.2 部品名称

2.2.1 庫外側

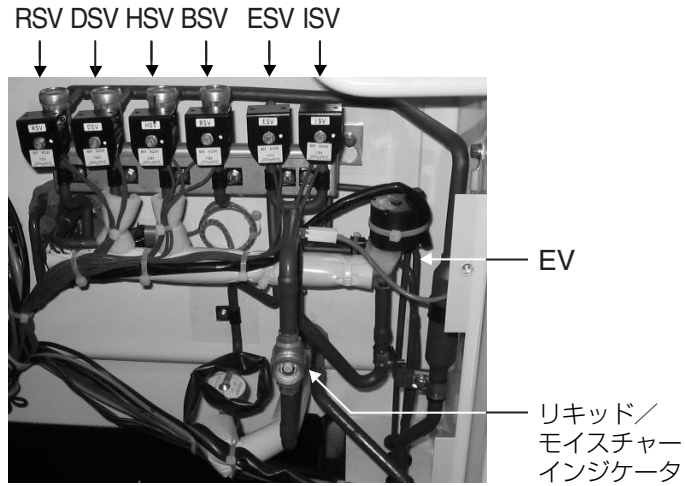
●LXE10E-1D



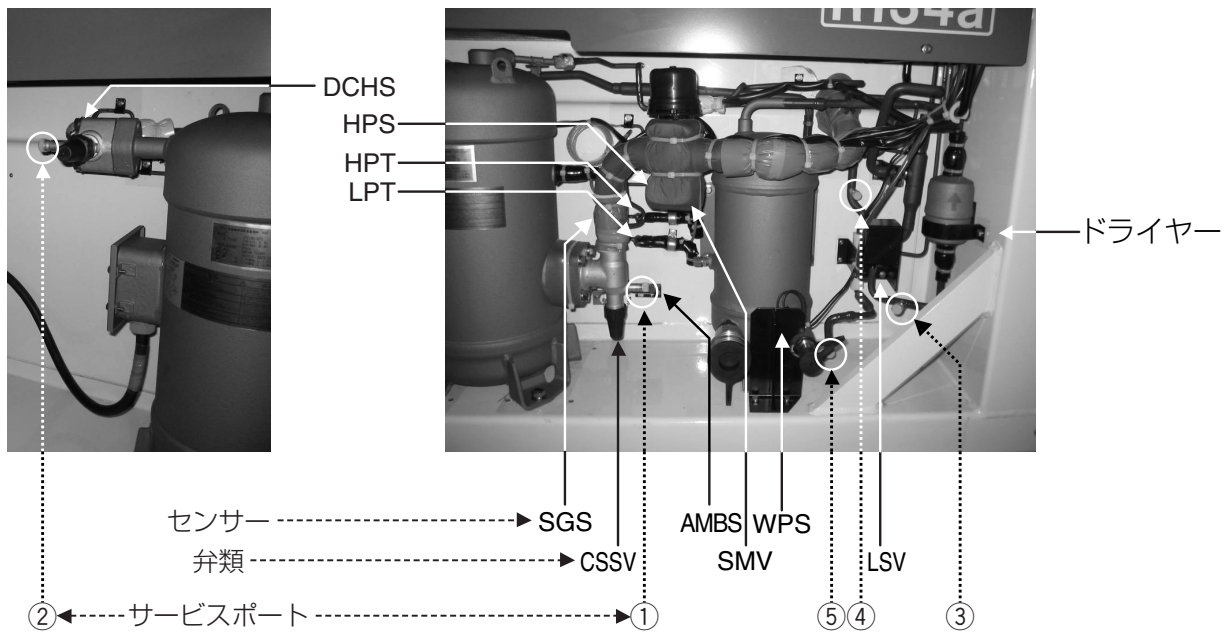
- | | |
|-----------------------|---------------------|
| ① 圧縮機 | ⑲ 電源ケーブル収納部 |
| ② 圧縮機吸入側閉鎖弁 | ⑳ 吐出ガスバイパス電磁弁 (BSV) |
| ③ 圧縮機吐出側閉鎖弁 | ㉑ デフロスト電磁弁 (DSV) |
| ④ 蒸発器 | ㉒ エコノマイザ電磁弁 (ESV) |
| ⑤ 空冷凝縮器 | ㉓ 電子膨張弁 (EV) |
| ⑥ 水冷凝縮器 | ㉔ ホットガス電磁弁 (HSV) |
| ⑦ 冷水入口コネクター | ㉕ インジェクション電磁弁 (ISV) |
| ⑧ 冷水出口コネクター | ㉖ 液電磁弁 (LSV) |
| ⑨ 蒸発器ファン | ㉗ レヒートコイル電磁弁 (RSV) |
| ⑩ 凝縮器ファン | ㉘ 吐出圧力調節弁 (DPR) |
| ⑪ コントロールボックス | ㉙ 吸入比例弁 (SMV) |
| ⑫ 上部ベンチレータ (80m³/h以上) | ㉚ 感温膨張弁 (TEV) |
| ⑬ 下部ベンチレータ (80m³/h以下) | ㉛ 外気温度センサ (AMBS) |
| ⑭ 温度計挿入口 (吸入空気) | ㉜ 吐出管温度センサ (DCHS) |
| ⑮ 温度計挿入口 (吹出空気) | ㉝ 高圧圧力開閉器 (HPS) |
| ⑯ リキッド/モイスタチャーインジケータ | ㉞ 高圧圧力センサ (HPT) |
| ⑰ ドライヤ | ㉟ 低圧圧力センサ (LPT) |
| ⑱ アクセスパネル | ㊱ 吸入管温度センサ (SGS) |

●LXE10E-1D

・電磁弁部詳細



・圧縮機及び冷媒制御機器詳細



[弁類]

- BSV :吐出ガスバイパス電磁弁
- CDSV:圧縮機吐出側閉鎖弁
- CSSV:圧縮機吸入側閉鎖弁
- DSV :デフロスト電磁弁
- DPR :吐出圧力調整弁
- EV :電子膨張弁
- ESV :エコマイザー電磁弁
- ISV :インジェクション電磁弁
- LSV :液電磁弁
- RSV :除湿制御用レヒータ電磁弁
- SMV :吸入比例弁
- TEV :感温膨張弁

[センサー]

- AMBS:外気温度センサー
- DCHS:吐出ガス温度センサー
- HPS :高圧圧力開閉器
- HPT :高圧圧力センサー
- LPT :低圧圧力センサー
- SGS :吸入管温度センサー
- WPS :水用圧カスイッチ

2.5 運転モードと制御

運転モードの種類は、大きく分けて、カーゴの冷却を制御するモードと、コンテナ冷凍装置の点検を行うモードの2つあります。

この項では、カーゴの冷却を行うモードについて説明します。

※コンテナ冷凍装置点検モードについては 3.9 項を参照してください。

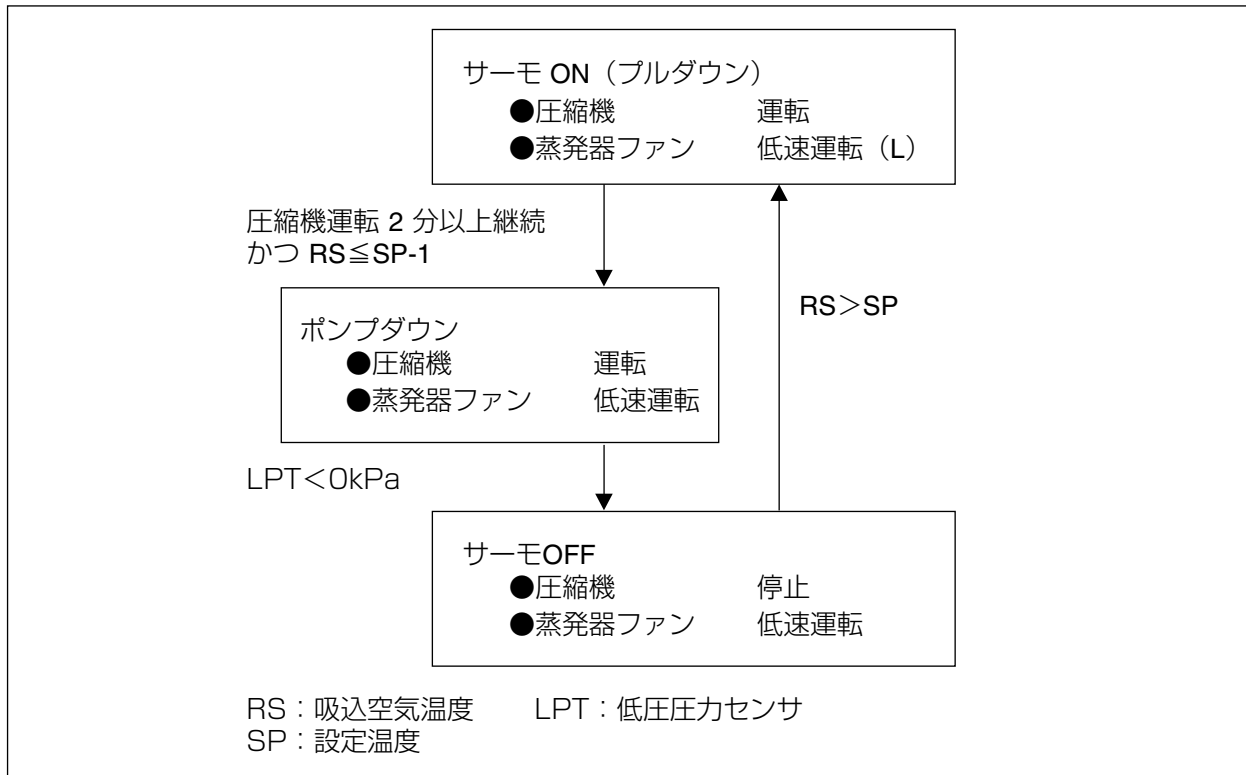
運転モードと設定温度との関係は下記のとおりです。

運転モード<ソフトバージョン>		設定温度	制御センサ	運転説明
フローズン運転	<2403>	-30.0℃~-5.1℃ (-22.0°F~+22.8°F)	吸込空気温度センサ	圧縮機のON、OFF制御
	<2404以降>	-30.0℃~-10.1℃ (-22.0°F~+13.8°F)		
チルド運転	<2403>	-5.0℃~-30.0℃ (-23.0°F~+86.0°F)	吹出空気温度センサ	吸込比例弁とホットガスバイパスによる容量制御運転
	<2404以降>	-10.0℃~-30.0℃ (+14.0°F~+86.0°F)		
デフロスト運転		—	—	冷媒量制御による ホットガスデフロスト

※詳細説明については、2.5.1~2.5.5項参照してください。

2.5.1 フローズン運転

制御状態の遷移と共通制御



電磁開閉器と電磁弁の動作一覧表

機器の名称		サーモON	ポンプダウン	サーモOFF
電磁開閉器	圧縮機	ON	ON	OFF
	蒸発器ファン 高速	OFF	OFF	OFF
	蒸発器ファン 低速	ON	ON	ON
	凝縮器ファン	ON/OFF※1	ON/OFF※1	OFF
電磁弁	液電磁弁	ON	OFF	OFF
	エコノマイザ電磁弁	ON(OFF※3)	ON(OFF※3)	OFF
	インジェクション電磁弁	OFF(ON※2)	OFF(ON※2)	OFF
	ホットガス電磁弁	OFF	OFF	OFF
	デフロスト電磁弁	OFF	OFF	OFF
	吐出ガスバイパス電磁弁	OFF	OFF	OFF
	キャピラリ電磁弁※4	OFF	OFF	OFF
吸入比例弁	SMV	100%		
電子膨張弁	EV	10~100%		

- 注) ※1: 高圧制御
 ※2: インジェクション制御 (2-25ページ参照)
 ※3: エコノマイザ制御 (2-26ページ参照)
 ※4: LXE10E-1のみ有り、LXE10E-1A以降はなし

(1) 設定温度と制御センサ

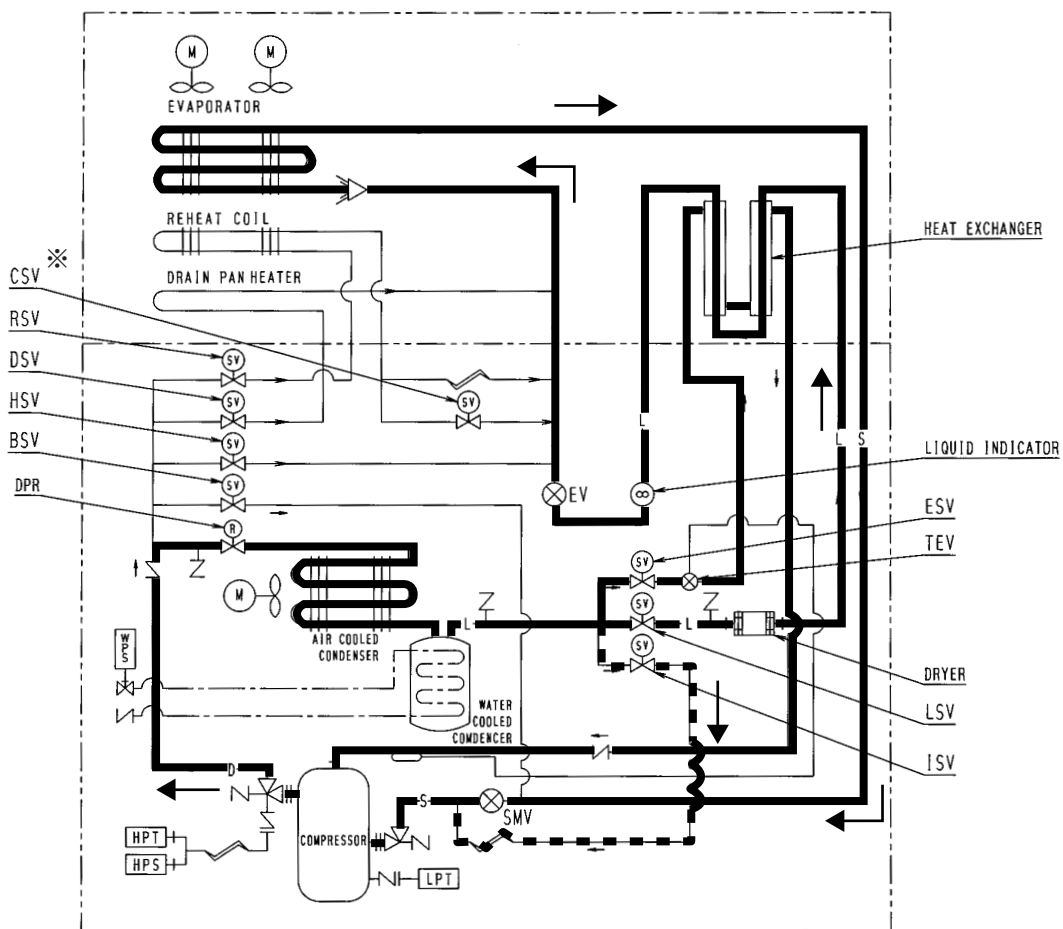
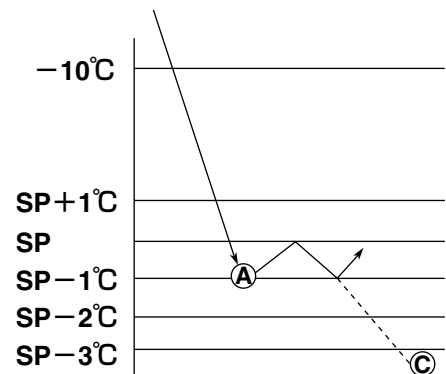
設定温度（以下SP）が、 -5.1°C ($+22.8^{\circ}\text{F}$) 以下の場合、吸込空気温度により、圧縮機のON/OFF 運転を行います。

(2) 制御

① 制御温度が $\text{SP}-1.0^{\circ}\text{C}$ (A点) になると液電磁弁をOFFし、ポンプダウン運転を行なった後、圧縮機、凝縮器ファンがOFFになります。

② 制御温度がSPをこえると圧縮機、液電磁弁、凝縮器ファンがONになります。

ただし、1度、圧縮機ONとなると2分間は運転します。圧縮機ONから2分以内に制御温度がSP以下(C点)になっても、圧縮機、凝縮器ファン、液電磁弁はOFFになりません。(圧縮機2分強制運転)



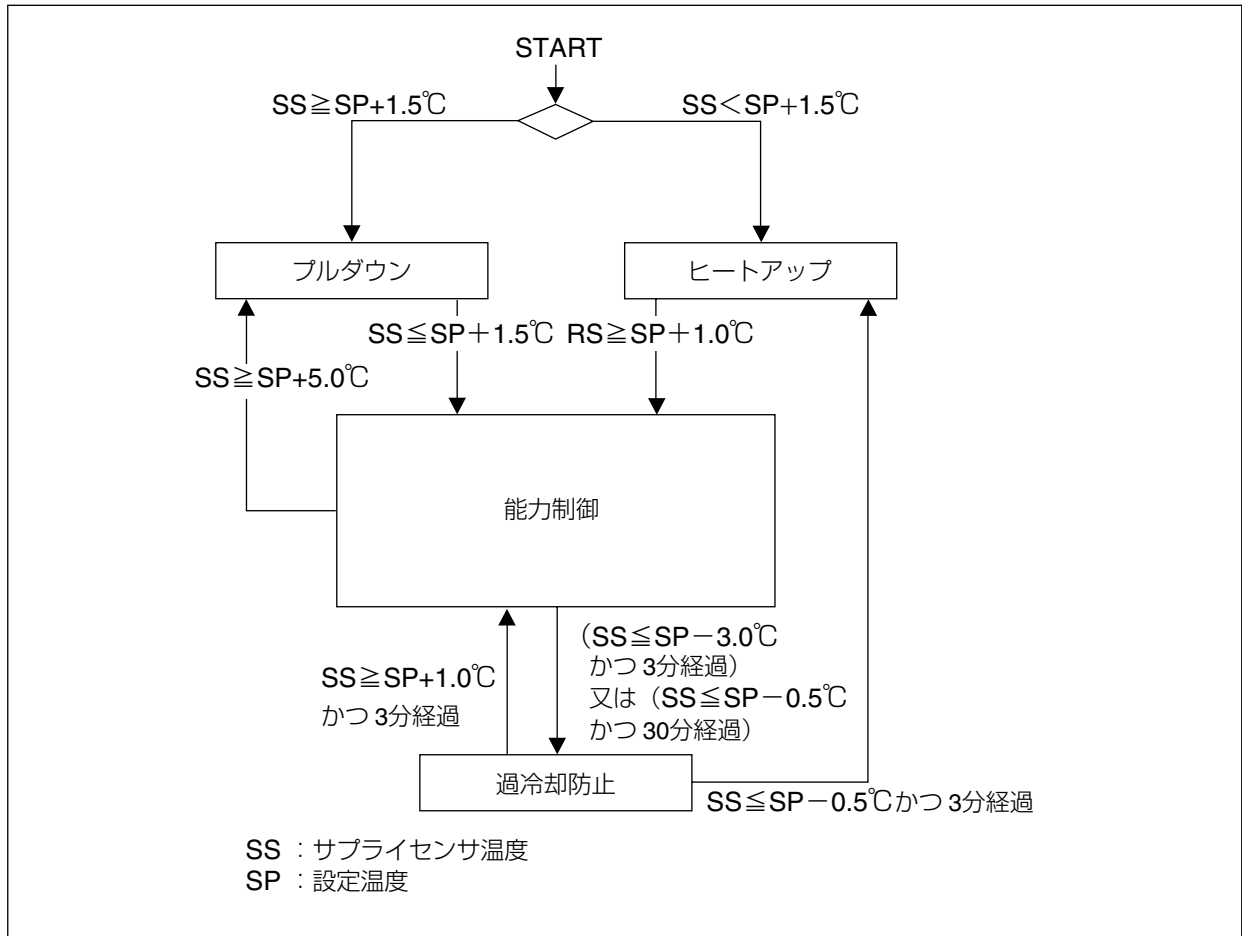
FROZEN (Return air $< 5^{\circ}\text{C}$)

- | | |
|---------------|-----------------|
| EV:電子膨張弁 | HSV:ホットガス電磁弁 |
| LSV:液電磁弁 | ISV:インジェクション電磁弁 |
| DSV:デフロスト電磁弁 | BSV:吐出ガスバイパス電磁弁 |
| ESV:エコマイザー電磁弁 | LPT:低圧センサー |
| DPR:吐出圧力調整弁 | HPT:高圧センサー |
| SMV:吸入比例弁 | HPS:高圧圧カスイッチ |
| WPS:水用圧カスイッチ | CSV:キャピラリー電磁弁 ※ |

注) ※LXE10E-1のみ有り、LXE10E-1A以降はなし

2.5.2 チルド運転

制御状態の遷移と共通制御



電磁開閉器と電磁弁の動作一覧

機器の名称			プルダウン	能力制御	ヒートアップ	過冷却防止
電磁開閉器	圧縮機	CC	ON	ON	ON	OFF
	蒸発器ファン 高速	EFH	ON	ON	ON	ON
	蒸発器ファン 低速	EFL	OFF	OFF	OFF	OFF
	凝縮器ファン	CF	ON/OFF※1	ON/OFF※4	ON/OFF※1	OFF
電磁弁	液電磁弁	LSV	ON	ON	OFF	OFF
	エコノマイザ電磁弁	ESV	ON/OFF※5	OFF	OFF	OFF
	インジェクション電磁弁	ISV	ON/OFF※2	ON/OFF※4	ON/OFF※3	OFF
	ホットガス電磁弁	HSV	OFF	ON/OFF※4	ON	OFF
	デフロスト電磁弁	DSV	OFF	ON/OFF※4	ON	OFF
	吐出ガスバイパス電磁弁	BSV	OFF	ON/OFF※4	OFF	OFF
	キャピラリー電磁弁※6	CSV	OFF	OFF	OFF	OFF
吸入比例弁	SMV	12~100% ※1	3~100%	100%	100%	
電子膨張弁	EV	10~100%	10~100%	0%	50%	

注) ※1 : 高压制御

※2 : 吐出ガス温度制御

※3 : チャージ制御

※4 : 能力制御とホットガスバイパス

※5 : エコノマイザー制御

※6 : LXE10E-1のみ有り、LXE10E-1A以降はなし

(1) 設定温度と制御センサ

○チルド運転……………設定温度が -5.0°C ($+23.0^{\circ}\text{F}$) 以上の場合、吹出し空気温度により吸入比例制御弁を制御し、冷凍能力の調整を行います。

(2) 制御

(a) プルダウン運転

制御温度が設定温度より $+1.5^{\circ}\text{C}$ 以上高い場合 (①点) には吸入比例制御弁全開でプルダウン運転をします。

(b) 能力制御運転

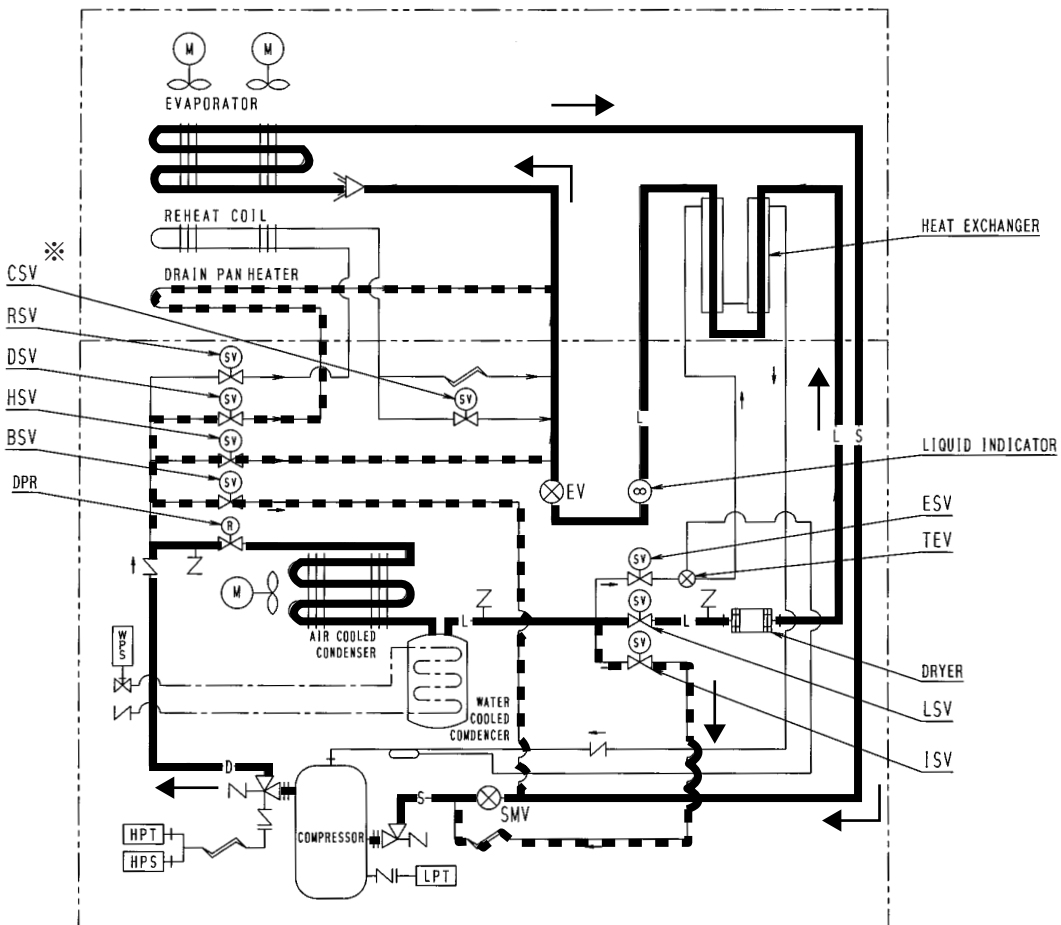
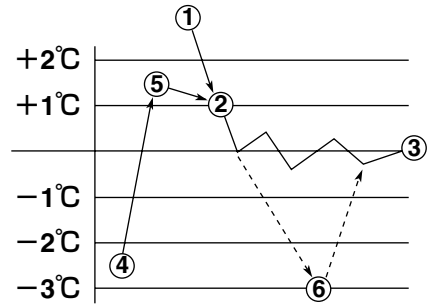
制御温度が②点になるとインレンジランプがONとなり、同時に吸入比例弁が動作を始め能力制御運転を行います。制御温度は上昇、下降を繰り返しながら設定温度③点に安定します。能力制御中冷媒系統の運転状態を適切に保つためホットガスバイパス (HSV,DSV,BSV) および液インジェクション (ISV) を行ないます。

(c) ヒートアップ運転

制御温度が (設定温度 $+1.5^{\circ}\text{C}$) より低い場合 (④点) はホットガスによるヒートアップ運転を行い、吸入温度が設定温度 $+1.5^{\circ}\text{C}$ 以上 (⑤点) まで上昇させます。

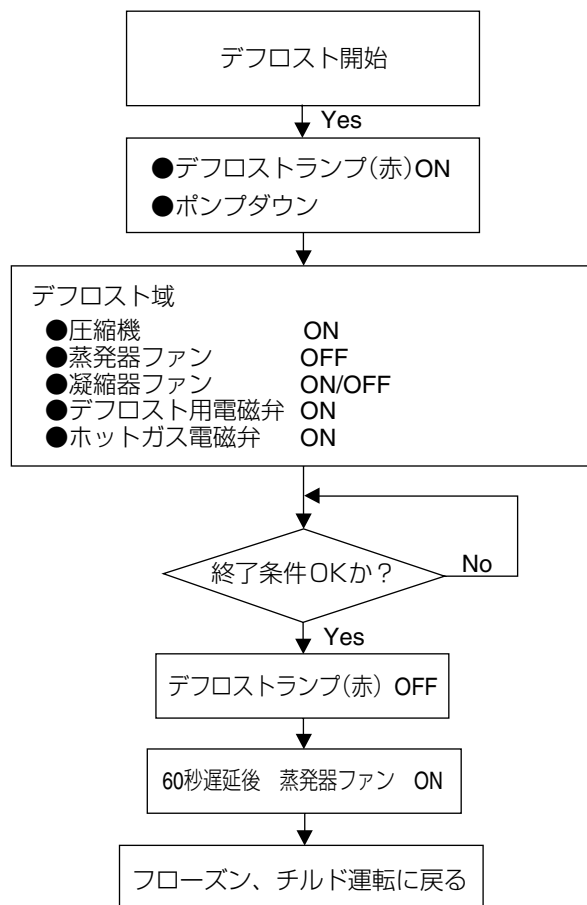
(d) 過冷却防止運転

安定状態でも外気温度などにより制御温度が設定温度 -3°C より低くなった場合 (⑥点) 圧縮機を停止し、蒸発器ファンのみの運転を行います。



注) ※LXE10E-1のみ有り、LXE10E-1A以降はなし

2.5.3 デフロスト運転



電磁開閉器と電磁弁の動作一覧表

機器の名称			ポンプダウン	デフロスト
電磁開閉器	圧縮機	CC	ON	ON
	蒸発器ファン 高速	EFH	ON/OFF※3	OFF
	蒸発器ファン 低速	EFL		
	凝縮器ファン	CF	ON/OFF※1	ON/OFF※1
電磁弁	液電磁弁	LSV	OFF	OFF
	エコノマイザ電磁弁	ESV	ON/OFF※4	OFF
	インジェクション電磁弁	ISV	OFF(ON※5)	ON/OFF※2
	ホットガス電磁弁	HSV	OFF	ON
	デフロスト電磁弁	DSV	OFF	ON
	吐出ガスバイパス電磁弁	BSV	OFF	OFF
	レヒート電磁弁	RSV	OFF	OFF(ON※6)
	キャピラリー電磁弁※7	CSV	OFF	OFF
吸入比例弁	SMV	100%	100%	
電子膨張弁	EV	10~100%	5%	

注) ※1：リリース制御 ※2：チャージ制御
 ※3：フローズンはEFLがON、チルドはEFHがON
 ※4：エコノマイザ制御 ※5：吐出ガス温度制御 ※6：EOS>15℃
 ※7：LXE10E-1のみ有り、LXE10E-1A以降はなし

デフロスト運転

(1) デフロストシステム

このユニットは、ホットガスデフロストシステムを採用しています。ホットガスデフロストは、圧縮機で圧縮された高温の冷媒（ホットガス）を、蒸発器およびドレンパン上に送り、デフロストを行うものです。蒸発器内部より直接加熱するため、効率のよいデフロストを行うことができます。

(2) デフロストの開始

デフロストの開始は、タイマまたはマニュアルデフロストキーで行います。

ただし、蒸発器の着霜状態を検出し、着霜がない場合はデフロストを開始しません。

- 蒸発器入口温度：5℃以上（チルド運転中）
- 蒸発器出口温度：20℃以上

①タイマによる開始（コントローラにより設定、操作方法は4.2項参照）

タイマの種類	設定時間	働き
ロングタイマ	3、6、9、12、24、99※1時間のうちから選択	制御温度に関係なく設定時間によりデフロストを開始
ショートタイマ	4時間※2	制御温度が、プルダウンから適温になるまでの間4時間ごとにデフロストを開始
アウトレンジタイマ	30分	制御温度が一度適温になった後、適温をはずれて上昇した場合30分後にデフロストを開始

※1．オンデマンドデフロスト選択（フローズンモードでは12時間、チルドモードでは6時間自動で設定されます。）

※2．制御温度が-20℃以下の時は6時間となります。

②マニュアルデフロストキーによる開始（操作パネルのシートキー）

マニュアルデフロストキーを押し、LED画面に「ON」を表示してエンター／エスケープキーを押すとデフロストを開始します。

③着霜検知による開始

フローズンプルダウン運転中、吸込空気温度が0.2℃/1hr以上降下しないと、蒸発器に着霜していると判断してデフロストを開始します。

ただし、吸込空気温度が-20℃以下の場合はデフロストを開始しません。

(3) オンデマンドデフロスト設定

ロングタイマーで“99”が設定された場合、デフロストは蒸発器の霜付き状態で作動します。この機能はフローズンモード設定（SP<-5.1℃）のみで、12時間毎に開始します。

（この機能がチルドモードで選択された場合はデフロストは自動的に6時間毎に開始します。）

手順

ステップ1：デフロスト終了後、コントローラは圧縮機運転時間を1st 1hour（T1）と記録します。

ステップ2：デフロスト終了後12時間経過したら圧縮機運転時間をlast 1hour（T2）と記録します。その後、コントローラは下記条件を満足しているかを確認します。

$$T2 > T1 \times 1.15$$

ステップ3：上記条件を満足した場合はデフロストを開始します。

上記条件を満足しない場合はデフロストは1時間後に延期されます。

13時間をカウント後、ステップ2を繰り返します。

ステップ2の上記条件を満足するまで、デフロストは1時間毎延期されます。（最大24時間）

(4) デフロストの終了

デフロストは、次の3つの条件のうち1つが成立した場合に終了します。

①デフロスト中に下記条件を満たした場合

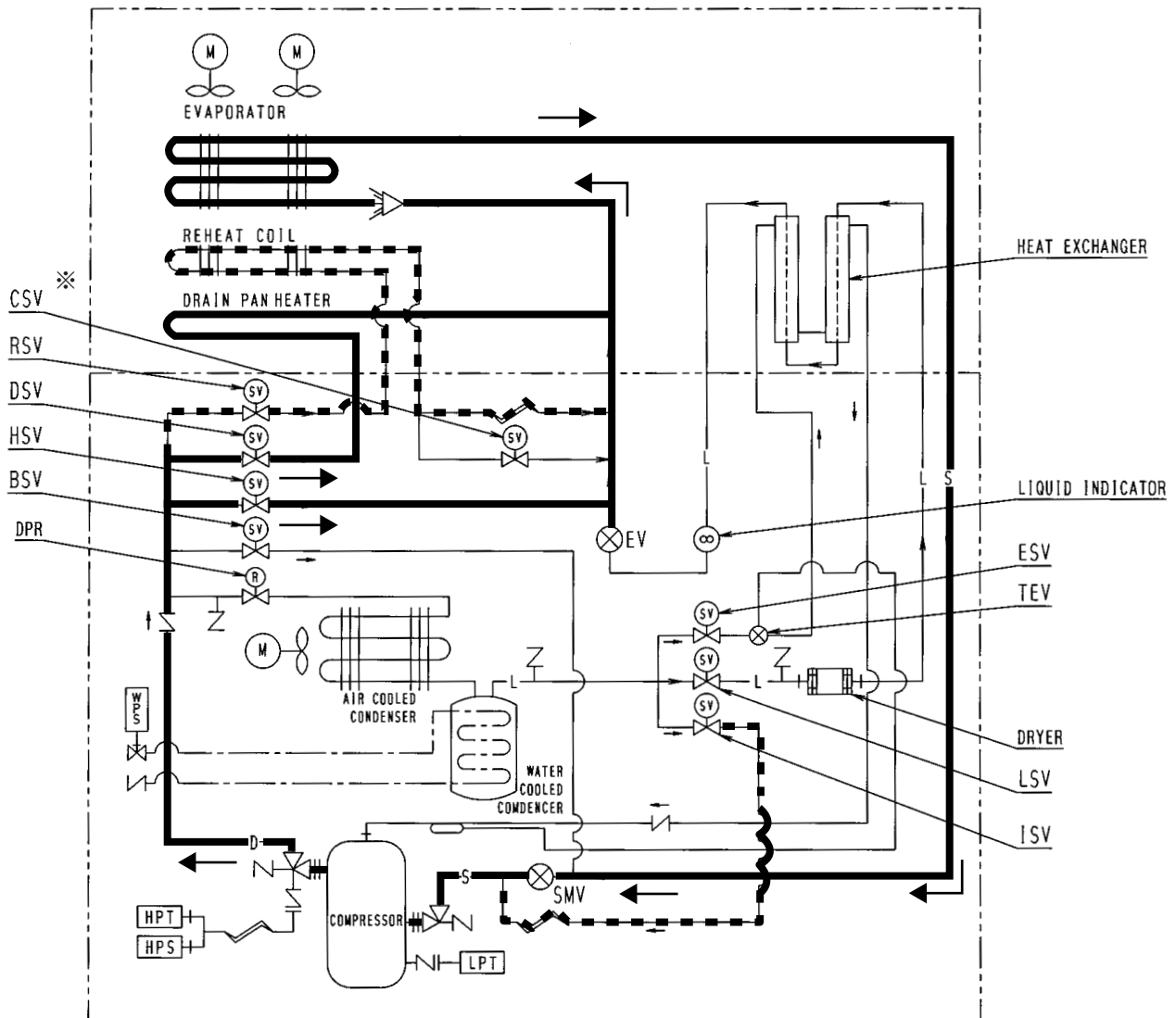
運転時間	デフロスト前の状態	終了条件
運転開始30分以内	インレンジ	EOS>30℃ or EIS>85℃
	アウトレンジ	EOS>30℃ or EIS>85℃
運転開始30分以降	インレンジ	EOS>30℃ or EIS>85℃
	アウトレンジ	EOS>30℃ and RS/DRS>15℃ or EIS>85℃

注) 上記の表はソフトバージョン2407以降の設定です。

ソフトバージョン2406以前の設定は、運転時間にかかわらず、上記表中の運転開始30分以降の終了条件になります。

②90分経過した場合

③保護装置が作動した場合



注) ※LXE10E-1のみ有り、LXE10E-1A以降はなし

2.5.4 除湿制御運転

※レヒートコイル及び湿度センサー（オプション）が付属している場合

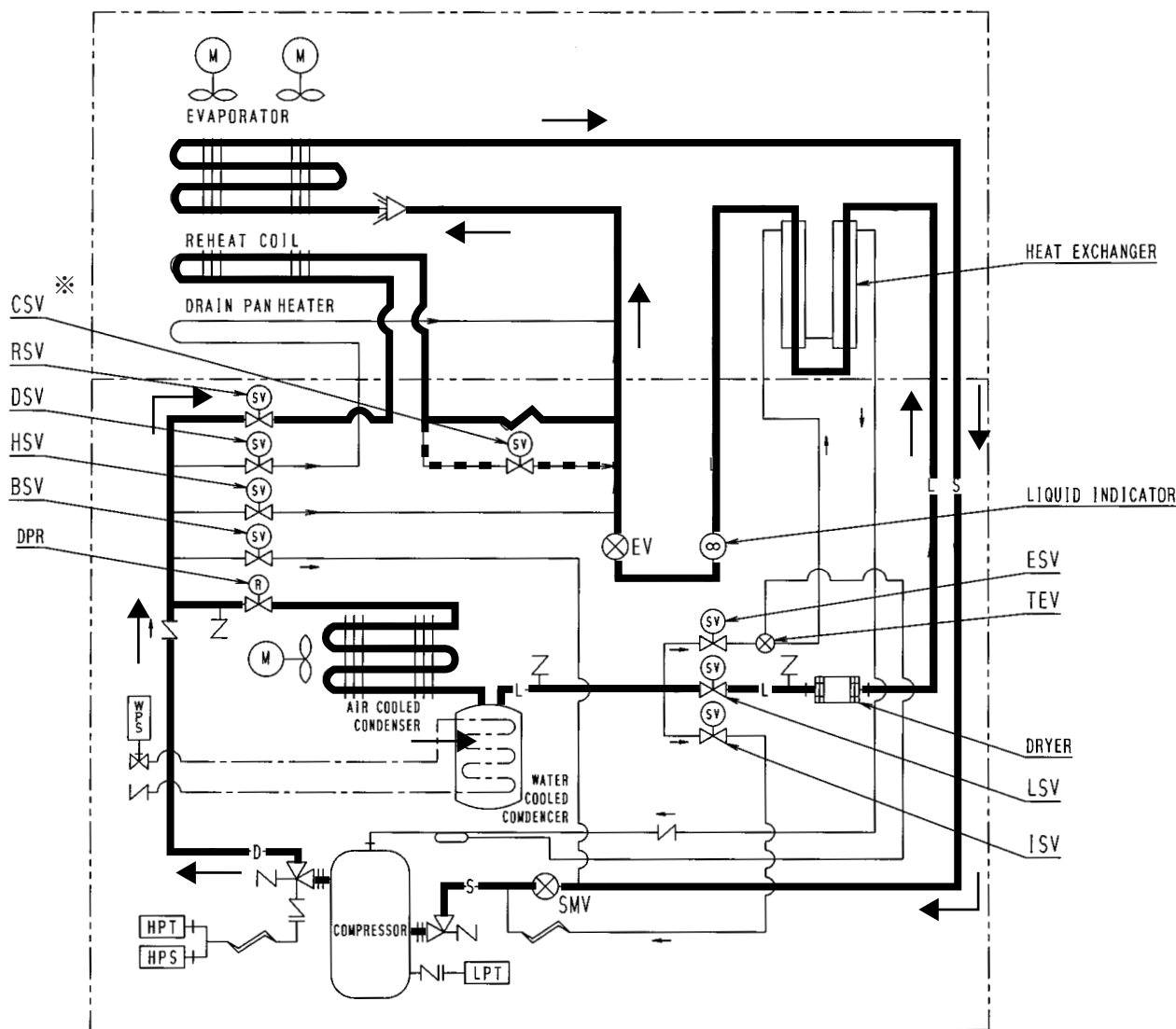
本ユニットは蒸発器の下部に付属したレヒートコイルによる湿度制御を行います。除湿を行うにはコントローラの設定が必要です。（ページ3-12参照）

除湿運転では高圧冷媒をレヒートコイルに送るためレヒート電磁弁（RSV）／キャピラリー電磁弁（CSV）※を開きます。

“DEHUMID”のLEDが点灯します。

次の設定が可能です。

- 1) 除湿範囲：30%RH～95%RH



注) ※LXE10E-1のみ有り、LXE10E-1A以降はなし

3.4 アラーム表示とバックアップ機能

3.4.1 アラーム一覧表

アラーム区分	アラームコード	異常内容	異常発生時動作	
永久停止	F101	運転開始30秒以内にHPS、もしくは起動時 5 回保護装置が作動した場合あるいはヒューズ1切れ（ページ7-8参照）	ユニット全停止	
	F109	運転開始 2 秒以内に低圧圧力が-85kPa以下となった場合	ユニット全停止	
	F111	HPSが整定値になっても作動しない場合	ユニット全停止	
	F301	温度設定要求（SRAM異常）	ユニット全停止	
	F401	チルドモードでSS、RSともに異常となった場合	ユニット全停止	
	F403	パシャルフローズンでSS、RSともに異常となった場合	ユニット全停止	
	F603	吸入比例弁（SMV）開閉動作指示が全閉なのに全閉とならない場合、もしくはコントローラの初期設定がまちがっている場合	ユニット全停止	
	F701	電圧異常となった場合	ユニット全停止	
	F705	S相が欠相となった場合	ユニット全停止	
	F803	運転継続不可能な異常が発生した場合（注2）	ユニット全停止	
保護装置作動	E101	通常運転中にHPSが作動した場合	3分待機後再始動	
	E103	通常運転中に電子式OCまたは、CTPが作動した場合	3分待機後再始動	
	E105	通常運転中にマイコン式OCが作動した場合	3分待機後再始動	
	E107	運転中にDCHSが異常高温となった場合	3分待機後再始動	
		冷媒循環量が少ない場合、3分待機しその後再起動する。	この異常が2回発生すると、F803が表示され、全停止する。	
	E109	通常運転中に低圧圧力が連続して2秒以上-90kPa以下となった場合	3分待機後再始動	
	制御エラー	E201	90秒以内にポンプダウンが終わらない場合	異常表示のみ
		E203	チルドモードで過冷却防止（制御センサ \leq SP-3.0、3分経過）となった場合	3分待機後再始動
		E205	蒸発器ファンのロック電流の異常を検知した場合	異常表示のみ
		E207	デフロストが90分で終わらない場合	異常表示のみ
プリント基板異常	E303	湿度設定要求（SRAM異常）	異常表示のみ	
	E305	デフロストタイマ設定要求（SRAM異常）	異常表示のみ	
	E307	カレンダー設定要求（SRAM異常）	異常表示のみ	
	E311	トリップスタート時刻設定要求（SRAM異常）	異常表示のみ	
	E315	PT/CTボード異常	3分待機後再始動	
センサー異常	E401	吹出温度センサ（SS）異常	バックアップ運転	
	E402	データレコーダ吹出空気温度センサ（DSS）異常	バックアップ運転	
	E403	吸込温度センサ（RS）異常	バックアップ運転	
	E404	データレコーダ吸込空気温度センサ（DRS）異常	バックアップ運転	
	E405	吐出管温度センサ（DCHS）異常	異常表示のみ	
	E406	吸入ガス温度センサー（SGS）異常	バックアップ運転	
	E407	蒸発器入口管温度センサー（EIS）異常	バックアップ運転	
	E409	蒸発器出口管温度センサ（EOS）異常	バックアップ運転	
	E411	外気温度センサ（AMBS）異常	異常表示のみ	
	E413	低圧圧力センサ（LPT）異常	バックアップ運転	
	E415	高圧圧力センサ（HPT）異常	バックアップ運転	
	E417	電圧センサ（PT1）異常	異常表示のみ	
	E421	電流センサ（CT1）異常	異常表示のみ	
	E423	電流センサ（CT2）異常	3分待機後再始動	
	E425	芯温センサ（USDA1）異常	異常表示のみ	
	E427	芯温センサ（USDA2）異常	異常表示のみ	
	E429	芯温センサ（USDA3）異常	異常表示のみ	
E431	湿度センサ（HuS）異常	異常表示のみ		
E433	カーゴ温度センサー（CTS）またはボックス温度センサー（CBS）異常	異常表示のみ		
E805	換気量検知センサー異常	異常表示のみ		
電気機能異常	E603	吸入比例弁（SMV）異常またはドライバ異常	バックアップ運転	
	E607	MDS（シートキー）異常	異常表示のみ	
電源異常	E707	瞬停	3分待機後再始動	
	E807	下部ベンチレータがフローズンモードで開いていた場合のFAオープン異常	異常表示のみ	

- 注1) Eコードアラーム発生時にはアラームLEDが点滅しません。
アラームの有無は4.2.2 各表示モード操作方法 1. カレント表示モードのアラーム表示で確認できます。
- 注2) E101, E103, E107, E109を10回カウントした場合、4時間に待機モードに入ります。
- 注3) センサー異常の場合はセンサー温度あるいは圧力が上昇（あるいは下降）するまでの3分間はセンサー異常の判定を行いません。

4.1.3 自動ポンプダウン

本ユニットはポンプダウンによる低圧の引きすぎ、閉鎖弁の開け忘れによるスクロール圧縮機の焼損を防ぐため自動ポンプダウン方式を採用しております。

(1) コントローラの操作

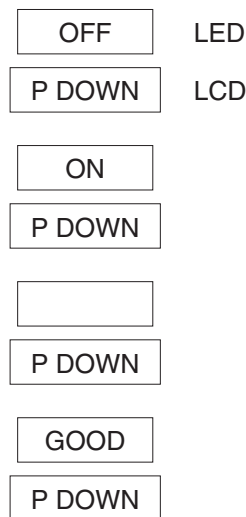
①運転中に **M** キーを2回押すとポンプダウンモードになります。

②アップダウンキー **△** **▽** にてONを選択し、エンターキー **↵** を押すとポンプダウンを開始します。

※自動ポンプダウン中はLEDは表示しません。

※自動ポンプダウン終了時LEDに“Good”の表示が出て、ユニットが停止します。

③ユニットON/OFFスイッチをOFFにします。



○コントローラ表示

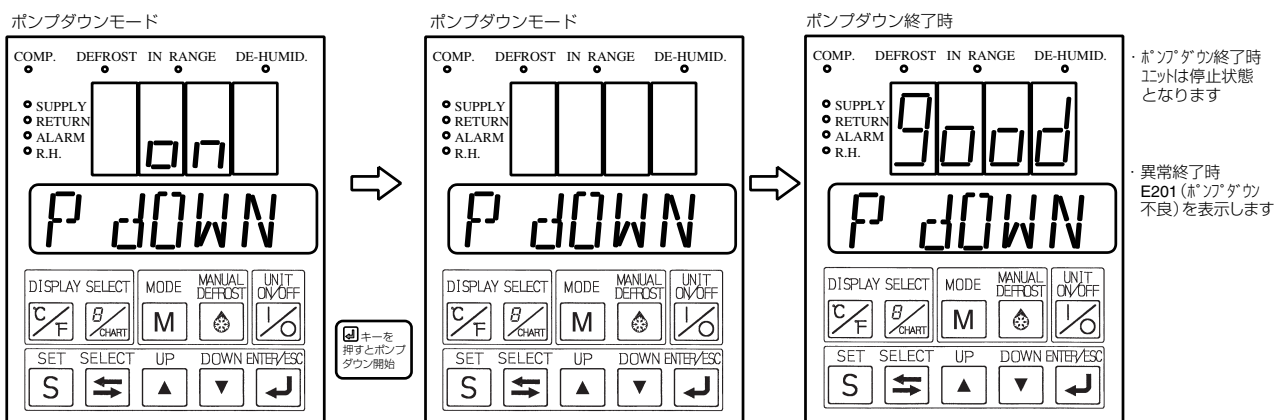


図2

自動ポンプダウン終了後、次の作業を実施して下さい。

① ドライヤの交換

ドライヤの出入口配管内は大気圧相当の圧力になっている為、空気の侵入はありませんが、すばやく交換を行って下さい。(4.2.7項参照)

② 冷媒回収

自動ポンプダウン運転をした後に冷媒回収を行って下さい。(4.1.4、(2)、(3)参照)

③ 冷媒充填

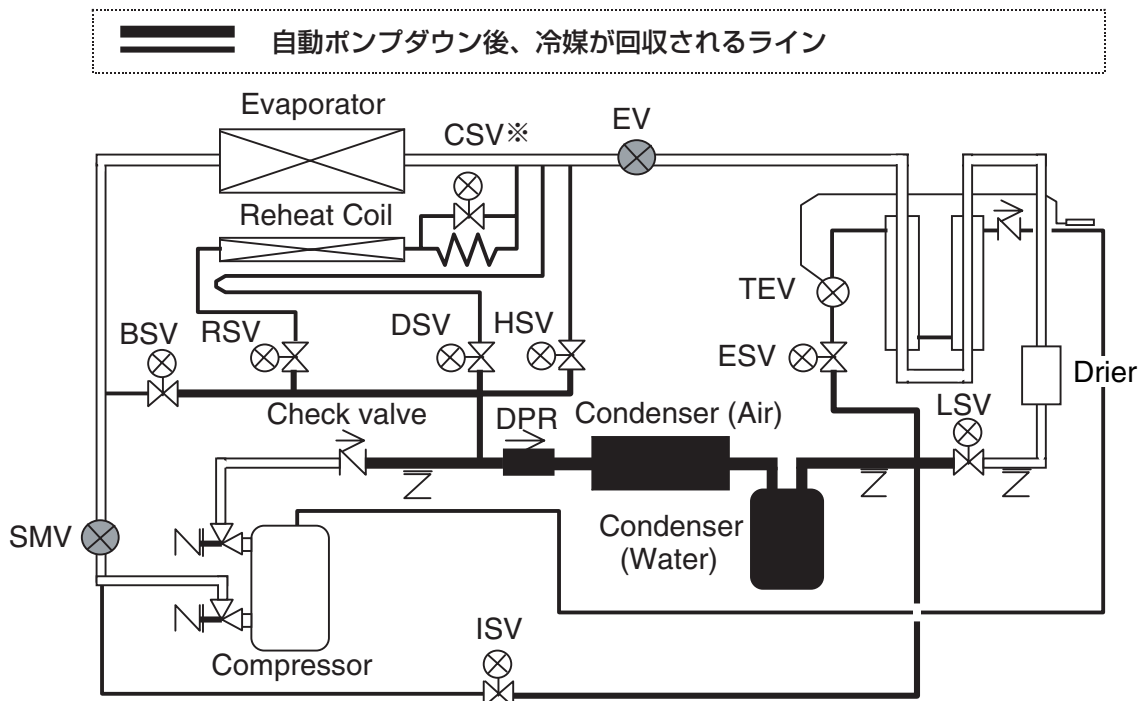
充填用の冷媒ボンベとシステム内の圧力がバランスして冷媒量が規定量充填できない場合は自動ポンプダウン運転を行って下さい。(4.1.4(4)参照)

(2) 自動ポンプダウン運転

自動ポンプダウンを開始すると、レシーバーへの冷媒回収から吸入配管系統内の均圧まで全て自動でポンプダウンを行います。終了したら「Good」の表示が出ます。

	①	②	③	④	⑤
	[準備] 自動ポンプダウンをON 通常運転を1分	[ポンプダウン2回実施] ②→③→②→③ ポンプダウンスタート LP ≤ -55kPaで 圧縮機が停止		[均圧] 低圧側が0~ 300kPaになる	[終了] EV全閉 終了 GOOD
圧縮機	ON	ON	OFF	OFF	OFF
LSV	ON				
EV	ON	ON	ON	ON	ON(全閉)
SMV	ON	ON	ON	ON	ON
ESV		ON→OFF			
DSV					
HSV				ON(1回目)	
BSV					
ISV				ON(2回目)	
CSV※					

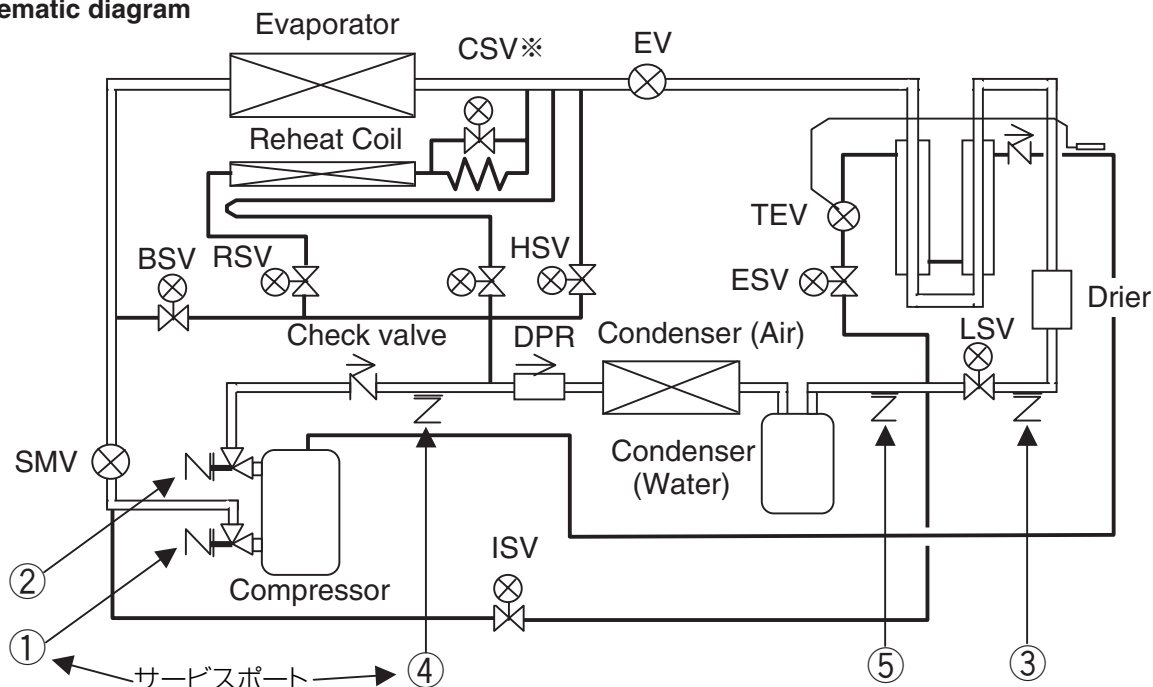
注) ※LXE10E-1のみ有り、LXE10E-1A以降はなし



注) ※LXE10E-1のみ有り、LXE10E-1A以降はなし

4.1.4 冷媒の回収および充填

Schematic diagram

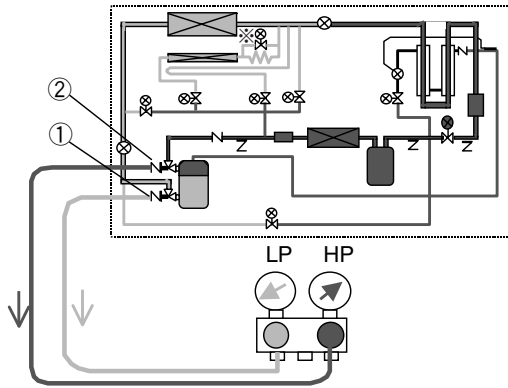


注) ※LXE10E-1のみ有り、LXE10E-1A以降はなし

作業内容	サービスポート	備考	
運転圧力チェック	高圧	②	
	低圧	①	
冷媒充填 (R134a : 4.6kg)	(1)冷媒回収	⑤	自動ポンプダウン運転後、最初に⑤から回収してください。
		④&⑤	冷媒を完全に回収するため、④、⑤から回収してください。
	(2)真空乾燥	④&⑤	冷媒回収後、④、⑤から真空乾燥運転をしてください。 ※真空運転時は電磁弁BSV, DSV, HSVとISV電磁弁の冷媒流れは逆流可能です。 ※④のクイックカプラーは①の低圧側と同じサイズです。
(3)冷媒充填	⑤→③	真空後、先ず⑤から、次に③から液冷媒を充填してください。	
	③	以下により規定充填量(5.4kg)が充填できなかった場合は、次に進んでください。 1. 自動ポンプダウン運転を行い、自動ポンプダウン運転中に圧縮機が停止した時に、ユニットをOFFしてください。 2. その後、③から液冷媒を充填してください。	

(1) 運転圧力の確認

高圧圧力の確認は圧縮機吐出配管にあるサービスポート②を使用してください。
低圧圧力の確認は圧縮機吸入側にあるサービスポート①を使用してください。



注) ※LXE10E-1のみ有り、LXE10E-1A以降はなし

(2) 不凝縮ガスの回収

冷媒系統中に空気、その他の不凝縮ガスが存在すると、それらは凝縮器に集まり、凝縮器内の圧力が異常に高くなります。あわせて凝縮面の熱伝達率を下げ、冷凍能力を低下させるので、不凝縮ガスの除去はきわめて重要です。

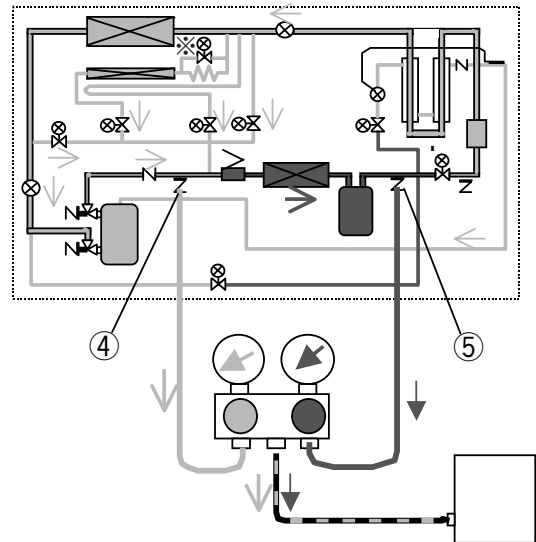
吐出圧力が異常に高く、圧力が正常に戻らない場合は、空気、その他の不凝縮ガスが存在していないかを次の方法で確かめます。

●自動ポンプダウン運転 (P.4-3参照) を行ない、冷媒を受液器に回収した後、一度ユニットを停止します。
マニュアルチェックの機能の中の凝縮器ファンチェック (P.3-56参照) を利用し凝縮器ファンを運転し、凝縮器の冷却空気出入口温度が等しくなるまで待つ。冷却空気温に相当する飽和圧力と凝縮圧力に差があれば、不凝縮ガスが存在することを示している。この場合は、下記の方法で不凝縮ガスを回収します。

- ① 自動ポンプダウン運転を行います。
- ② 冷媒をできるだけ凝縮させたあと、圧縮機吐出側のサービスポート②から回収します。
- ③ 圧力計を調べ、飽和圧力になるまで繰り返して回収します。

(3) 冷媒の回収

- ① 自動ポンプダウン運転を行います。
- ② サービスポート⑤から冷媒を回収します。
- ③ サービスポート④と⑤を使用し完全に冷媒を回収します。



注) ※LXE10E-1のみ有り、LXE10E-1A以降はなし

(4) 真空乾燥及び冷媒充填

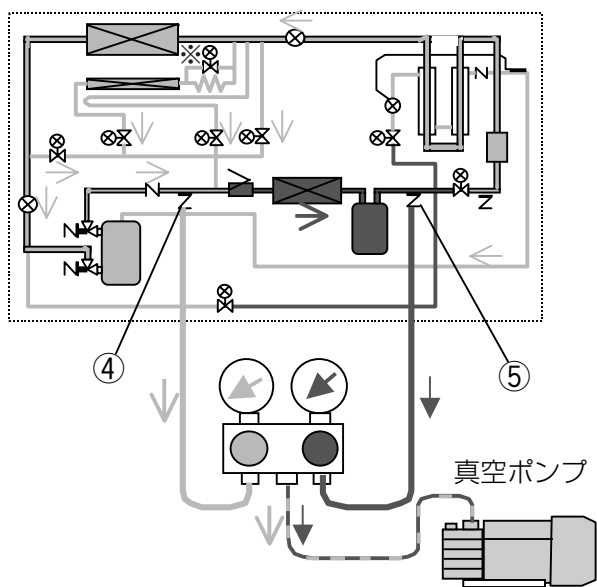
冷凍機の冷媒がなくなり、空気も混入している場合は、その原因を取り除いた後、真空乾燥を行い冷媒を規定量再充填する必要があります。

[必要品]

1. ボンベ (20kg入)HFC134a口金付
2. クイックジョイント付ゲージマニホールド
3. ハカリ (坪量50kg)
4. 真空ポンプ

(a) 真空乾燥

冷媒回収後、真空ポンプを受液器出口配管のサービスポート④と吐出圧力調整弁入口のサービスポート⑤に接続し、真空76cmHg以上に真空にします。冷媒系統を真空にしたまま真空ポンプを外します。ただし、冷媒系統内に空気が入った場合は、76cmHgまで達した後、2時間以上真空引きします。



注) ※LXE10E-1のみ有り、LXE10E-1A以降はなし

(b) ボンベ重量の記録

ボンベをハカリの上に載せ、ボンベの重量を記録します。

(c) 液冷媒の充填

1. 真空乾燥後、サービスポート⑤から液冷媒を充填します。
(規定量の約50%まで充填します)

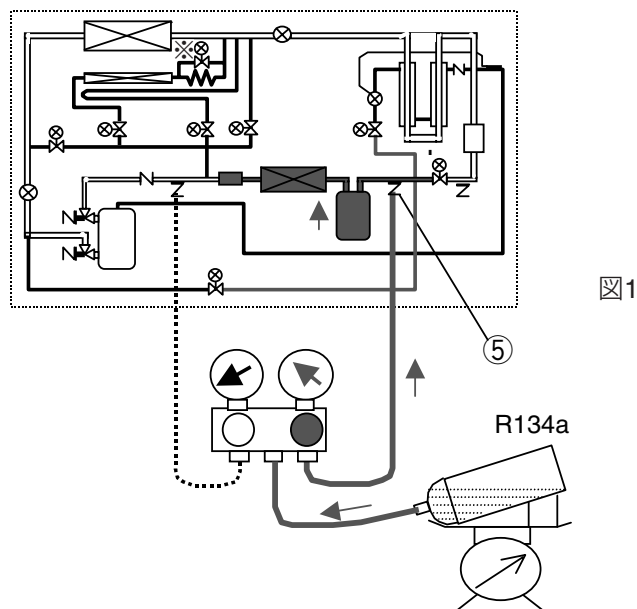


図1

注) ※LXE10E-1のみ有り、LXE10E-1A以降はなし

2. マニホールドゲージ接続をポート⑤から③に変更し、液冷媒を追加充填します。規定量冷媒が充填されたらボンベのcockを閉じます。

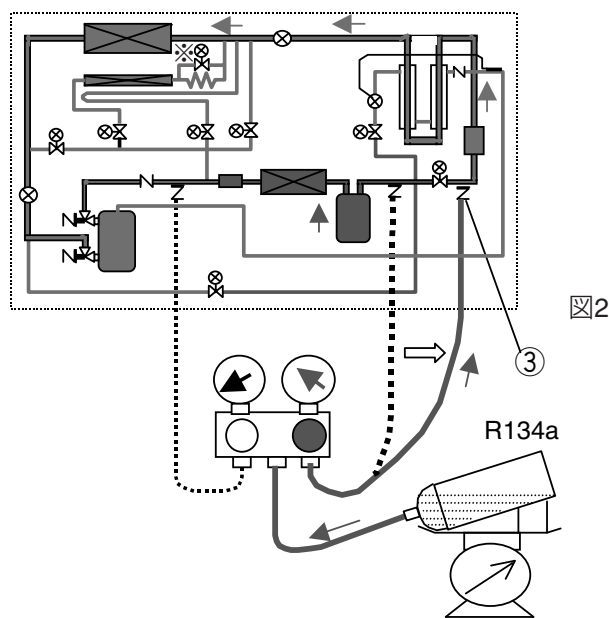


図2

注) ※LXE10E-1のみ有り、LXE10E-1A以降はなし

(2-3) 取付板の除去

下表に従って取付板が不要な場合、4本のネジをゆるめ取付板を除去します。

OCセットおよび取付板要否

機種		サービスパーツ	LXE5C	LXE10C	LXE10D	LXE10D LXE10E
タイプ		—	Dual 5HP	Dual 10HP		Single 10HP
OCセット値		—	8.5A	15A		26A
ジャンパー	J3	⊖—⊖	○ ○	○ ○		⊖—⊖
	J2	⊖—⊖	⊖—⊖	○ ○		○ ○
	J1	⊖—⊖	○ ○	⊖—⊖		○ ○
取付板		あり	残す	残す	除去	除去

○ ○ : ジャンパーを切断

⊖—⊖ : ジャンパーを残す

(3) 交換方法



注意

主電源が切れている事を確認

- ①CT1、CT2を通っている線を端子側から外します。
※その時にCT1、CT2を壊さないように注意してください。
- ②コントローラ用コネクタ、主回路用コネクタを外します。
- ③取り付けナットを4個外します。
- ④本体交換後コネクタをもとの手順で取り付けます。
- ⑤結線をひとつおり確認した後、試運転して異常のないことを確認します。

4.2.4 電子膨張弁

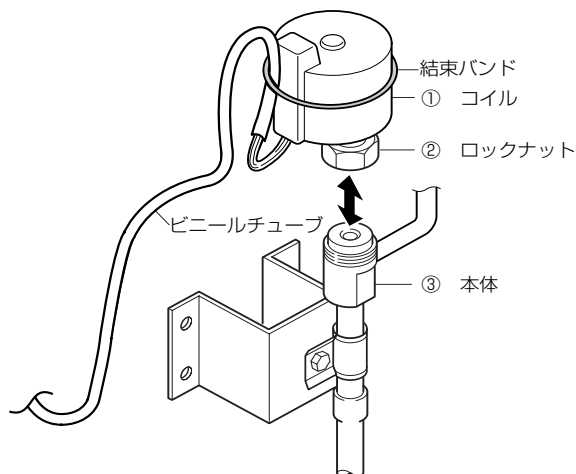
●形式 コイル：EBM-MD12DM-1

本体：EDM-B804DM-1

本ユニットは電子膨張弁を採用しています。蒸発器入口および出口の温度をセンサにより検出し、コントローラが最適冷媒量を自動的に調節します。コントローラが故障し、自動運転ができない場合は、「故障診断 6.4 緊急運転の方法」を参照してください。

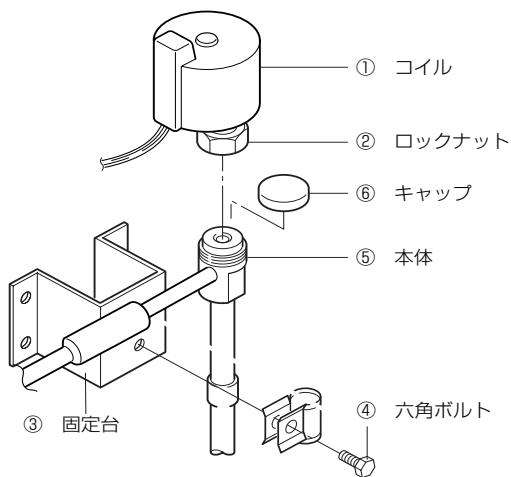
(1) コイル交換方法 (LXE10E-1A以降)

- ①リード線を固定している結束バンドをニッパで切ります。
- ②リード線コネクタを、コントローラから取り外します。
- ③ロックナットをゆるめて、コイルを本体から取り外します。
- ④新しいコイルと交換します。“ロックタイト”を少量電子膨張弁のネジ部に塗ります。(“ロックタイト”を塗り過ぎないように注意) コイル取り付け時の締付けトルクは13.7～15.7N・m (134～164kgf・cm) とします。
- ⑤リード線コネクタ・結束バンドを元の状態に取り付けます。
- ⑥作業完了後は必ず漏れ試験 (ガス検) を行い冷媒漏れがないことを確認します。

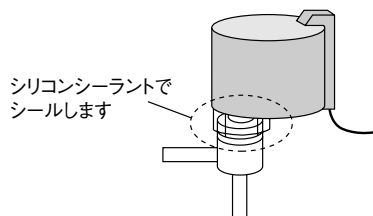


(2) 本体交換方法

- ① ロックナットをゆるめて、コイルを取り外します。
- ② 固定台の六角ボルトを取り外して、本体側の配管を切断します。残った配管をロウ付部から取り外します。
- ③ 新しい本体を配管に差し込みます。ぬれ布で十分冷却（120℃、248°F以下に）しながらロウ付をしてください。
- ④ 固定台に本体を固定します。
- ⑤ キャップを取り外し、コイルを取り付けます。EV本体のシール面とネジ部の円周に“ロックタイト”を塗ってください。ロックタイトを塗り過ぎないようにしてください。



- ⑥ ロックナット部をシリコンシーラントでシールします。

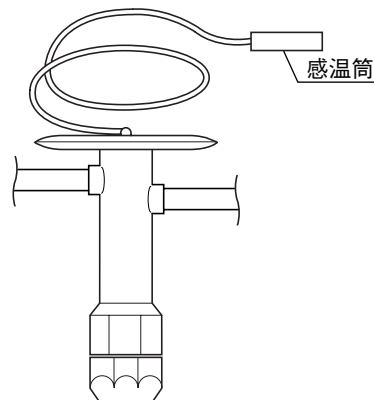


- ⑦ リード線をEVコイル本体へクランプしてください。配線保護用ビニールチューブの端は下向きにして、水が配線内へ入らないようにしてください。

4.2.5 温度式膨張弁 (TEV)

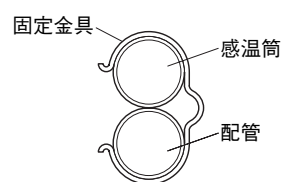
●型式：VTX-3410DMS

内部均圧式感温自動膨張弁で熱交換器（エコノマイザー）の入口に設置されます。熱交換器（エコノマイザー）の出口冷媒の過熱度を感じし、運転条件に応じた最適冷媒量を自動的に調節します。



(1) 交換方法

- ① 感温筒及び固定金具を配管から外します。
- ② 感温膨張弁の出入口の配管を切断します。そして残った配管のロー付け部を外します。
- ③ 新しい感温膨張弁を配管へ取付けます。感温膨張弁の温度が120℃（248°F）以上に上がらないように必ずぬれ布等で冷やしてロー付けを行って下さい。
- ④ 感温筒とキャピラリーチューブを再度取付ます。下図のように感温筒を配管の真上に取付けます。



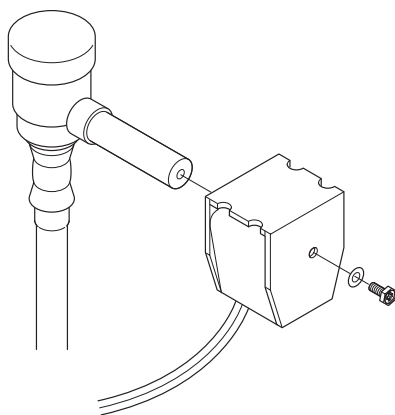
- ⑤ キャピラリーチューブを熱収縮チューブでカバーします。

4.2.8 電磁弁

本ユニットは2種類（オプション3種類）の電磁弁を採用しています。コイルは全て共通で弁本体の交換方法についてもほぼ同じです。

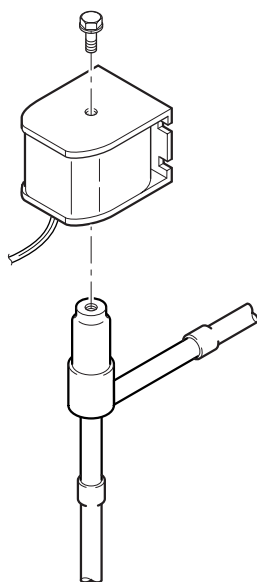
名称	シンボル	弁体型式	コイル型式
エコマイザ電磁弁	ESV	NEV-202DXF	NEV-MOAB507C
インジェクション電磁弁	ISV		
液電磁弁	LSV	NEV-803DXF	
吐出ガスバイパス電磁弁	BSV		
デフロスト電磁弁	DSV		
ホットガス電磁弁	HSV		
レヒート電磁弁	RSV		
キャピラリー電磁弁※	CSV		

注) ※LXE10E-1のみ有り、LXE10E-1A以降はなし



NEV-803DXF

図1



NEV-202DXF

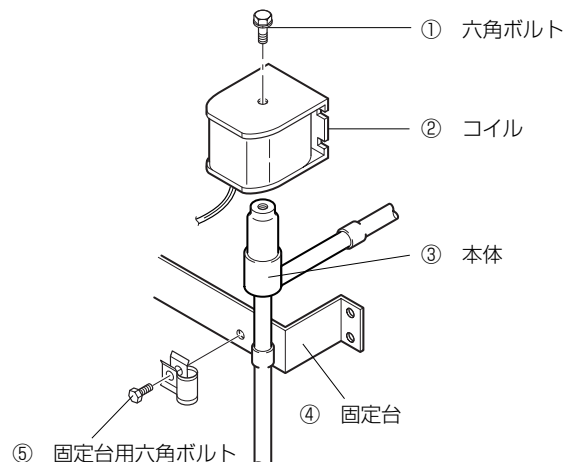
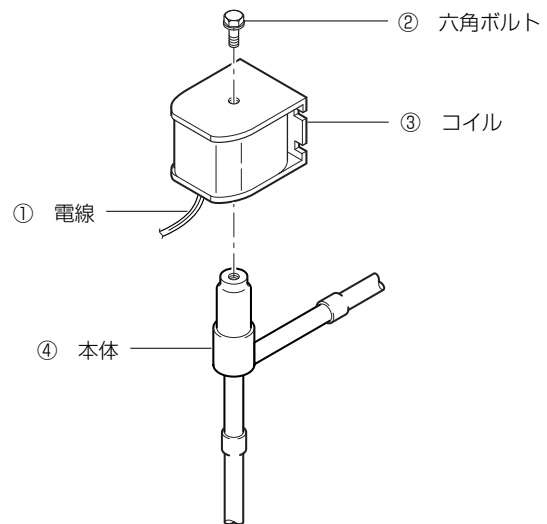
図2

(1) コイル交換方法

- ①コントロールボックス内のリード線コネクタを取り外し、リード線を固定している結束バンドを切り取ります。
- ②コイル面にある六角ボルトを取り外して、コイルを抜きます。
- ③新しいコイルと交換して、六角ボルト・結束バンド・コネクタを元の状態に戻します。コイル取り付け時の締付けトルクは $2.9\text{N} \cdot \text{m}$ ($30\text{kg} \cdot \text{cm}$) です。

(2) 本体交換方法

- ①コイル面にある六角ボルトを取り外してコイルを抜きます。
- ②固定台の六角ボルトを取り外して、本体側の配管2本を切断します。残った配管を口ウ付部から外します。
- ③新しい本体を配管に差し込み、口ウ付はぬれ布で 120°C [248°F] 以下に冷却しながら行ってください。
- ④コイルを取り付け、固定台用六角ボルトとコネクタを元の状態に戻します。



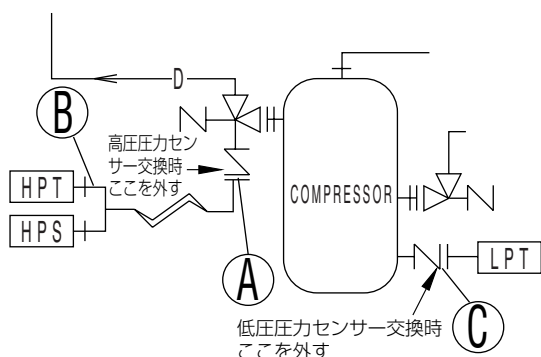
4.2.11 高圧圧力開閉器 (HPS)

- 形式 ACB-KB15
- 設定値 OFF 2400kPa (24.47kg/cm²)
ON 1900kPa (19.37kg/cm²)

ユニットの運転圧力が異常に上昇したとき、安全のため圧縮機を停止します。凝縮器ファンの故障または冷却水の通水不良などにより、高圧圧力が設定値以上になったとき作動します。

(1) 交換方法

- ①コントロールボックス内のリード線を取り外します。
- ②冷媒流出防止のため、高圧ゲージ配管を圧縮機側ゲージ継手（逆止弁付）④から外します。
- ③圧縮機右側のケーシングにあるHPSのフレアナット⑤と固定ネジを取り外します。
- ④HPSを交換し、フレアナット⑤を締め付けた後、フレアナット④も締め付けます。
- ⑤④を締め付けた後、フレアナット⑤を少しゆるめ、エアをとりのぞいてから再度⑤を締め付けます。
- ⑥作業完了後必ず漏れ試験（ガス検）を行い冷媒漏れがないことを確認します。



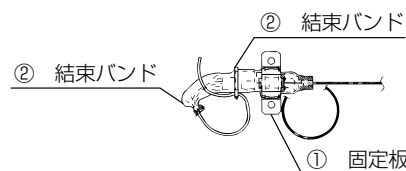
4.2.12 低圧圧力センサ (LPT)

形式	LXE10E-1,1A	LXE10E-1B,1C,1D
センサ形式	SPCL02	NSK-BC010F
識別色	センサ	青シール
	コネクタ	青テープ
		黒ボディ
		なし

低圧圧力センサは冷媒系統に取り付けられ、コントローラに運転中の低圧圧力を表示します。

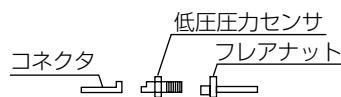
(1) 交換方法

- ①コントロールボックス内のリード線を取り外します。
- ②冷媒流出防止のため、低圧圧力センサ配管を圧縮機側ゲージ継手（逆止弁付）③から外します。
- ③低圧圧力センサを固定している固定板のネジを取り外し結束バンドを切り取ります。

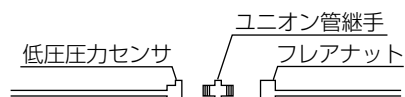


- ④熱収縮チューブを取り除き、コネクタを低圧圧力センサから取り外します。

●LXE10E-1, 1Aのとき

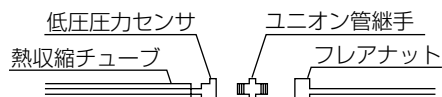


●LXE10E-1B, 1C, 1Dのとき



- ⑤熱収縮チューブを圧力センサケーブルに通し、ユニオン管継手およびコネクタを接続します。

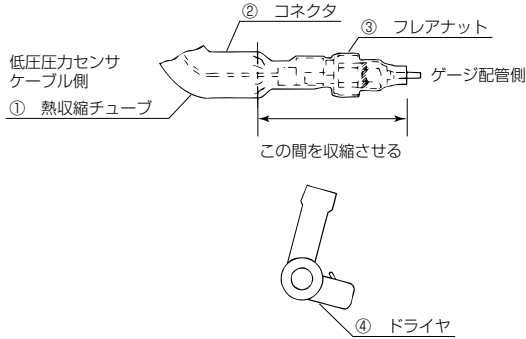
接続時、圧力センサの塗料が取れた場合はクリア塗料でタッチアップしてください。



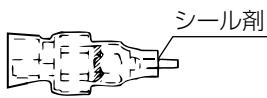
⚠ 注意

低圧圧力センサにドライヤの熱風を、長時間あてないこと。センサを破損する恐れがあるためです。

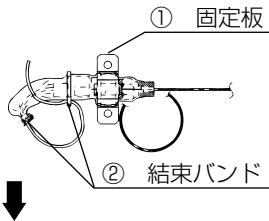
⑥熱収縮チューブを下図の位置に合わせて、ドライヤを当て収縮させます。



⑦熱収縮チューブとフレアナット間をシールします。(シール剤：KE4898)



⑧低圧圧力センサを固定板に取り付け、結束バンドでケーブルを固定します。低圧圧力センサ側の熱収縮チューブの端部は下向きに固定し、水が入らないようにしてください。



↓
低圧圧力センサ側の熱収縮チューブの端部は下向きに固定する。

4.2.13 高圧圧力センサ (HPT)

形式	LXE10E-1,1A	LXE10E-1B,1C,1D
センサ形式	SPCH01	NSK-BC030F
識別色	センサ	赤シール
	コネクタ	赤テープ
		赤茶ボディ
		なし

高圧圧力センサは冷媒系統に取り付けられ、コントローラに運転中の高圧圧力を表示します。

(1) 交換方法

交換方法は低圧圧力センサと同じです。取付位置と接続ケーブルを間違えないように交換してください。

4.2.14 水用圧力開閉器(WPS)

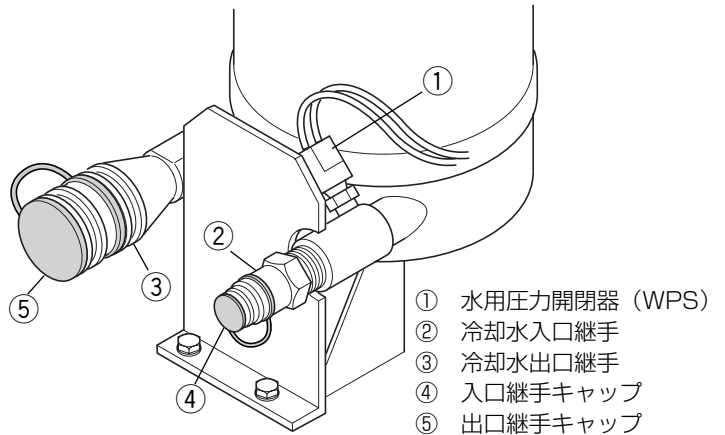
●形式 LCB-MB10

●設定値 OFF 98kPa (1.0kg/cm²)
ON 39kPa (0.4kg/cm²)

●空冷運転と水冷運転の切換えを行うもので冷却水が流れて入口水圧が設定値以上になると、接点がOFFし凝縮器ファンを停止させて水冷運転となります。

(1) 交換方法

- ①コントローラ端子台からWPS用電線を外す。
- ②冷却水ポンプを停止し水圧がかかってないことを確認し、WPSを取り外す。
- ③WPSを交換し、ドライシールテープをネジ部に巻き付けた後、締付ける。



4.2.15 湿度センサー

センサーは2年毎に交換して下さい。

(センサーの精度は±5%RH以内に保って下さい。)

アラームコード	内 容	考えられる原因		
E201	60秒以内にポンプダウンが終了しない場合	インジェクション電磁弁が閉じない	結線不良 コイル焼損 コイル脱落	
		ホットガス電磁弁が漏れている	ゴミ詰まり	
		デフロスト電磁弁	ゴミ詰まり	
		吐出ガスバイパス電磁弁	ゴミ詰まり	
		低圧圧力センサ値が異常となっている	プリント基板異常 圧力センサ異常	
E203	チルド・パーシャルフローゾーンモードで過冷却防止（制御センサ \leq SP-3.0）が3分以上続いた場合	吸入比例弁が動作しない	リード線断線 結線不良 コイル焼損 アダプタP板不良 ゴミ詰まり	
		蒸発器ファン風量不足（パーシャルフローゾーンのみ）	障害物による空気通路閉鎖 蒸発器ファン破損 蒸発器周辺空気の短絡	
		蒸発器ファン電動機保護サーモ作動	蒸発器ファンがガイドにひっかかる リード線断線 障害物による空気通路閉鎖	
		E205	蒸発器ファンモータの電流の異常を検知した場合	結線不良 リード線断線 障害物による空気通路閉鎖 コイル焼損 ベアリング損傷
		E207	デフロスト時間が90分間かかる場合	蒸発器出口管温度センサが蒸発器出口管から外れている
蒸発器出口管温度センサの防露筒取付け不良				
蒸発器出口管温度センサ本体不良				
デフロスト用電磁弁が開かない	リード線断線 コイル焼損 ゴミ詰まり			
ホットガス電磁弁が開かない	リード線断線 コイル焼損 ゴミ詰まり			
インジェクション電磁弁が開かない	リード線断線 結線不良 コイル焼損 コイル脱落 ゴミ詰まり			
高圧圧力センサおよび低圧圧力センサ本体不良				
蒸発器出口温度センサ値が異常となっている	プリント基板異常 センサ異常			
着霜過多				
E303	湿度設定要求			
E305	デフロストタイマ設定要求			
E307	カレンダー設定要求			
E311	トリップスタート設定要求			
E401	吹出空気温度センサ (SS) 異常	断線 短絡 結線不良		
		センサ値が異常値となっている	プリント基板異常	
E402	データレコーダ吹出空気温度センサ (DSS) 異常	断線 短絡 結線不良		
		センサ値が異常値となっている	プリント基板異常	
E403	吹込空気温度センサ (RS) 異常	断線 短絡 結線不良		
		CPU基板異常		
E404	データレコーダ吸入空気温度センサ (DRS) 異常	断線 短絡 結線不良		
		CPU基板異常		
E405	吐出管温度センサ (DCHS) 異常	断線 短絡 結線不良		
		CPU基板異常		

アラームコード	内 容	考えられる原因
E406	吸入ガス温度センサ (SGS) 異常	断線
		短絡
		結線不良
		CPU基板異常
E407	蒸発器入口管温度センサ (EIS) 異常	断線
		短絡
		結線不良
		CPU基板異常
E409	蒸発器出口管温度センサ (EOS) 異常	断線
		短絡
		結線不良
		CPU基板異常
E411	外気温度センサ (AMBS) 異常	断線
		短絡
		結線不良
		CPU基板異常
E413	低圧圧力センサ (LPT) 異常	リード線断線
		結線不良
		本体不良
		CPU基板異常
E415	高圧圧力センサ (HPT) 異常	リード線断線
		結線不良
		本体不良
		CPU基板異常
E417	電圧センサ (PT1) 異常	センサ異常
		CPU基板異常
E419	電圧センサ (PT2) 異常	センサ異常
		CPU基板異常
E421	電流センサ (CT1) 異常	センサ異常
		CPU基板異常
E423	電流センサ (CT2) 異常	センサ異常
		CPU基板異常
E425 E427 E429	芯温センサ (USDA1~3) 異常	USDAレセプタクル結線不良
		USDAレセプタクル断線
		USDAレセプタクル短絡
		中継ケーブル断線
		中継ケーブル接触不良
		コントロールボックス内結線不良
		コントロールボックス内短絡
		本体不良
		CPU基板異常
E431	湿度センサ (HuS) 異常	リード線断線
		結線不良
		本体不良
		CPU基板異常
E603	比例制御弁 (SMV) の断線 または駆動回路の異常 またはコントローラの誤設定	リード線断線
		結線不良
		CPU基板異常
E607	マニュアルデフロストキー (シートキー) の接点異常	コントローラの初期設定 (DECOS a, b, c, d) がまちがっている
		スイッチの不良
		短絡
E707	瞬停	CPU基板異常
		40~300msec商用電源が停止
E807	下部換気口が開いている	フローズン運転で下部換気口が開いている

7.4 モータコイル及び電磁弁コイルの抵抗値

シンボル	品名	抵抗値Ω	備考
CM	圧縮機モーターコイル	1.780Ω (@75℃)	
CFM	凝縮器ファンモーターコイル	57.2Ω	
EFM	蒸発器ファンモーターコイル	19.4Ω	
LSV	液電磁弁コイル	15.2±1.1Ω (共通)	
HSV	ホットガス電磁弁コイル		
DSV	デフロスト電磁弁コイル		
ISV	インジェクション電磁弁コイル		
ESV	エコマイザ電磁弁コイル		
BSV	ホットガスバイパス電磁弁コイル		
RSV	レヒーター電磁弁コイル		
CSV	キャピラリー電磁弁コイル※1		
EV	電子膨張弁コイル		
SMV	吸入比例弁コイル	青-黄：113Ω 黒-白：113Ω	

注) ※圧縮機を除き常温での値です。

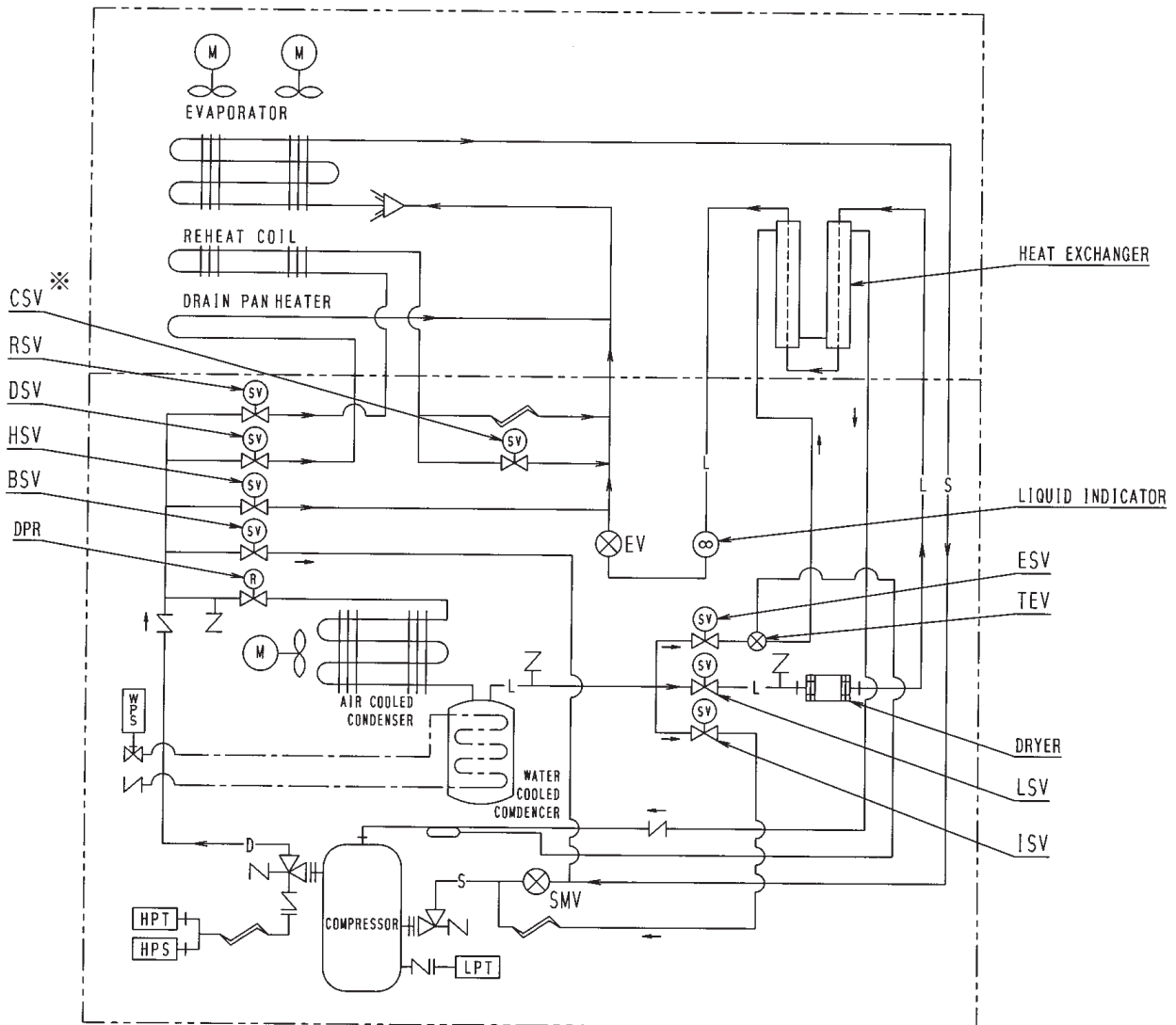
※1：LXE10E-1のみ有り、LXE10E-1A以降はなし

7.5 電子膨張弁コイルの標準締付トルク (EVコイル)

N・m	kgf・cm	lbf・ft
13.7 to 15.7	134 to 164	10.1 to 11.6

7.12 配管系統図

●LXE10E-1



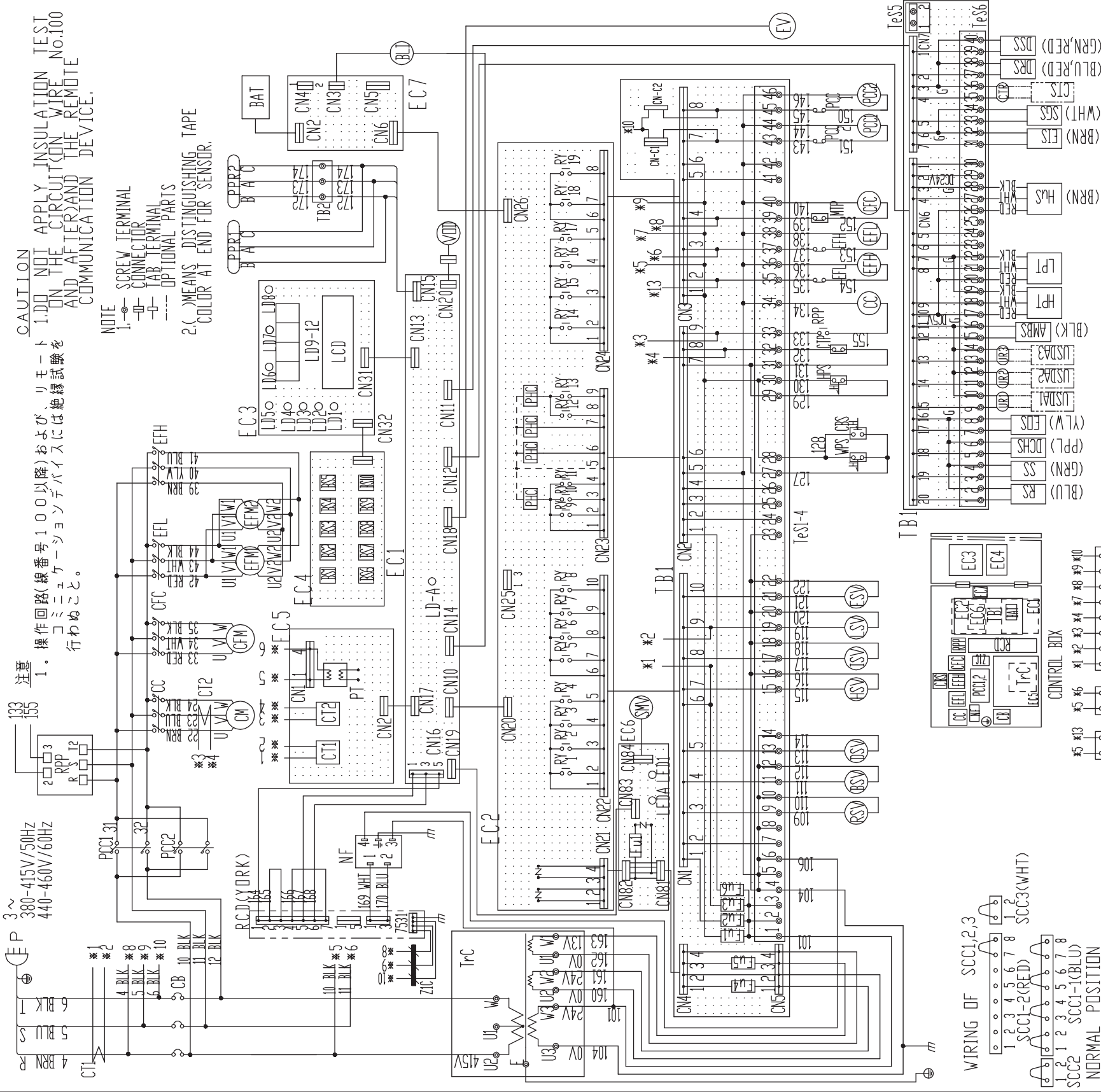
- | | | |
|--------------------------------|--|-----------------------------------|
| EV: Elec. Exp. Valve | SMV: Suction Modulation Valve | DPR: Discharge pressure regulator |
| LSV: Liquid Solenoid Valve | HSV: Hot Gas Solenoid Valve | |
| DSV: Defrost Solenoid Valve | ISV: Injection Solenoid Valve | |
| ESV: Economizer Solenoid Valve | BSV: Discharge Gas Bypass Solenoid Valve | |
| WPS: Water pressure switch | CSV: Capillary solenoid valve※ | RSV: Reheat coil Solenoid valve |

注) ※1 : LXE10E-1のみ有り、LXE10E-1A以降はなし

<https://daikin-p.ru>

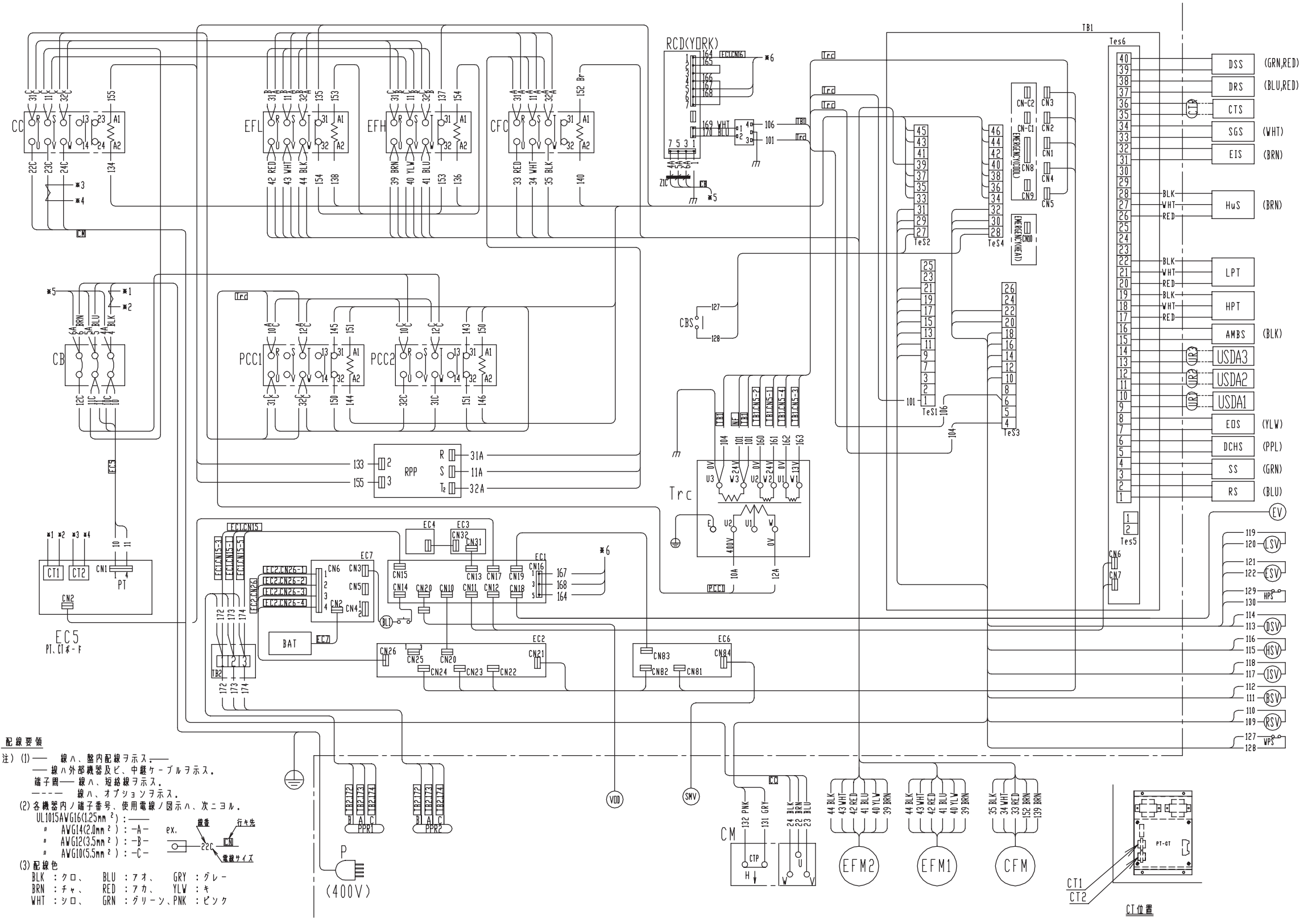
●LXE10E-1A, 1B, 1C, 1D

CONTAINER REFRIGERATION UNIT WIRING DIAGRAM



AMBS	AMBIENT TEMP. SENSOR	EC5	PRINTED CIRCUIT BOARD (PT.C1)	LD4	LIGHT-EMITTING DIODE (SUPPLY)	SCC2	SHORT CIRCUIT CONNECTOR
BAT	BATTERY	EC6	ADAPTER BOARD	LD5	LIGHT-EMITTING DIODE (CUP)	SCC3	SHORT CIRCUIT CONNECTOR
BL	BATTERY LEVEL INDICATOR	EC7	POWER SUPPLY BOARD	LD6	LIGHT-EMITTING DIODE (OPERST)	SSS	SUCTION GAS SENSOR
BSV	GAS BYPASS SOLENOID VALVE	EFH	HIGH SPEED EVAPORATOR FAN CONTACTOR	LD7	LIGHT-EMITTING DIODE (CN RANGE)	SMV	SUCTION MODULATING VALVE
BS1-10	PUSH BUTTON SWITCH	EFL	LOW SPEED EVAPORATOR FAN CONTACTOR	LD8	LIGHT-EMITTING DIODE (OF-HUMID)	SS	SUPPLY AIR SENSOR
CB	CIRCUIT BREAKER(30A)	EFM1,2	EVAPORATOR FAN MOTOR	LD9-12	LIGHT-EMITTING DIODE	TBI	TERMINAL BOARD
CBS	CONTROL BOX THERMOSTAT	EIS	EVAPORATOR INLET SENSOR	LEDA	SERVICE MONITOR-GREEN(CE6)	Tc	CONTROL TRANSFORMER
CC	COMPRESSOR CONTACTOR	EDS	EVAPORATOR OUTLET SENSOR	LED1	LIGHT-EMITTING DIODE (CE6)	URL-3	URSA RECEPTACLE
CFC	CONDENSER FAN CONTACTOR	ESV	ECONOMIZER SOLENOID VALVE	LPT	LOW PRESSURE TRANSDUCER	VDD	VENTILATOR OPENING DETECTOR
CFM	CONDENSER FAN MOTOR	EV	ELECTRONIC EXPANSION VALVE	LSV	LIQUID SOLENOID VALVE	WPS	WATER PRESSURE SWITCH
CM	COMPRESSOR MOTOR	FU1-6	FUSE (250V,10A)(B)	MTP	COND. MOTOR THERMAL PROTECTOR	ZIC	FERRITE CORE
C11,2	CURRENT TRANSFORMER	FU1	FUSE (250V,5A)(CE6)	NE	NOISE FILTER		
C1P	COMPRESSOR THERMAL PROTECTOR	HPS	HIGH PRESSURE SWITCH	P	POWER PLUG		
C1R	CARGO TEMP. RECEPTACLE	HPT	HIGH PRESSURE TRANSDUCER	PC1,2	PHASE CORRECTION CONTACTOR		
DCHS	COMPRESSOR DISCHARGE SENSOR	HSV	HOT GAS SOLENOID VALVE	PHC	PHOTO COUPLER		
DRS	DATA RECORDER RETURN AIR SENSOR	HUS	HUMIDITY SENSOR	PPR1,2	POPURI RECEPTACLE		
DSS	DATA RECORDER SUPPLY AIR SENSOR	ISV	INJECTION SOLENOID VALVE	PT	POTENTIAL TRANSFORMER		
DSV	DEFROST SOLENOID VALVE	LD	LIQUID CRYSTAL DISPLAY	RPP	REVERSE PHASE PROTECTOR		
EC1	CPU BOARD (CECS)	LD-A	SERVICE MONITOR-GREEN(CE1)	RSV	REHEAT AIR SENSOR		
EC2	I/O BOARD (CECS)	LD1	LIGHT-EMITTING DIODE (GRH)	RSV	REHEAT COIL SOLENOID VALVE		
EC3	DISPLAY BOARD (CECS)	LD2	LIGHT-EMITTING DIODE (ALARM)	RY1-19	RELAY		
EC4	SHEET KEY (CECS)	LD3	LIGHT-EMITTING DIODE (RETURN)	SCC1,2	SHORT CIRCUIT CONNECTOR		

●LXE10E-1A, 1B, 1C, 1D



ORDERING INSTRUCTIONS

The parts list contains the parts of the DAIKIN Marine Type Container Refrigeration Units. Please read the following items before using the list.

1. When ordering the parts, be sure to specify the model No., the name of part and the type of part. When ordering the parts for which no parts NO. is shown in the PARTS NO. column, be sure to describe DWG.NO..
2. The list shows the parts only for replacement or repairing at the job site. Certain parts require a production lead time or are supplied as a set, so please contact with the nearest DAIKIN PARTS CENTRE.

3. Index symbols;

Meaning of the ranking A,B and C are as follows;

A. The most important spare parts

1. The parts whose malfunction cause fatal damage to the unit.
2. The parts with high risk of malfunction.
3. The parts that are worn out after an extended service period.

B. The important spare parts next to A, but the risk of malfunction is not so high.

C. The parts with low risk of malfunction, but recommendable to stock to cope with damage during handling of container box and long delivery time, etc.

The parts without A, B and C mark is the parts whose necessity is not so high under normal operation.

パーツリスト使用上の注意

このパーツリストはダイキン海上コンテナ冷凍装置の部品を集録してあります。パーツリスト使用にあたっては、必ず次の注意事項をご一読の上使用していただくようお願いいたします。

1. 部品のご注文の際は機種名、部品番号、および部品名、形式を必ずご指定ください。
なお、部品番号欄が空白になっている部品は、図面番号で指示願います。
2. 掲載部品の範囲は、あくまでも現地にて分解修理できるところまで記載しております。
一部部品につき納期のかかるものおよびセット単位となるものもありますので、お近くのダイキンパーツセンター又はサービスステーションに相談願います。

3. INDEXの説明

INDEXのA、B、Cの意味は下記の通りです。

A. 最も重要な部品

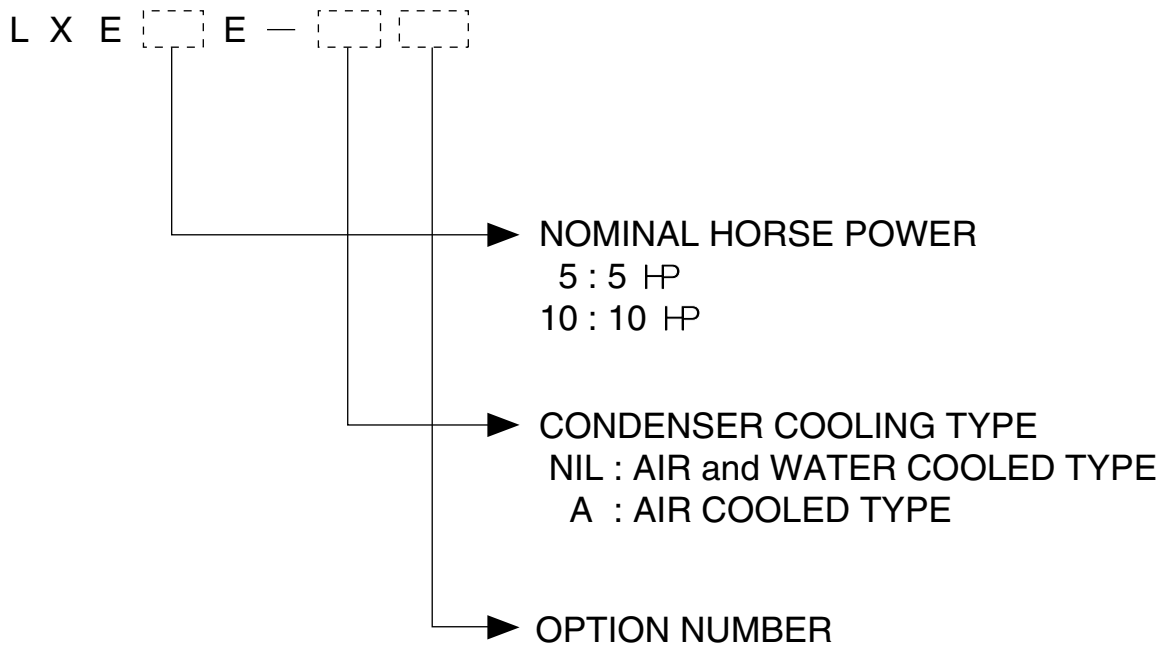
1. 故障した場合に最も重大な損害を与えると思われる部品
2. 故障の確率が高いと思われる部品
3. 長期の使用で摩耗して使用できなくなる部品

B. 故障発生の確率は高くはないが、Aについて重要な部品

C. 故障発生の確率は低いですが、コンテナボックスの運搬中の事故や、部品の納期が長期になるとと思われる等の理由で、在庫をお勧めする部品

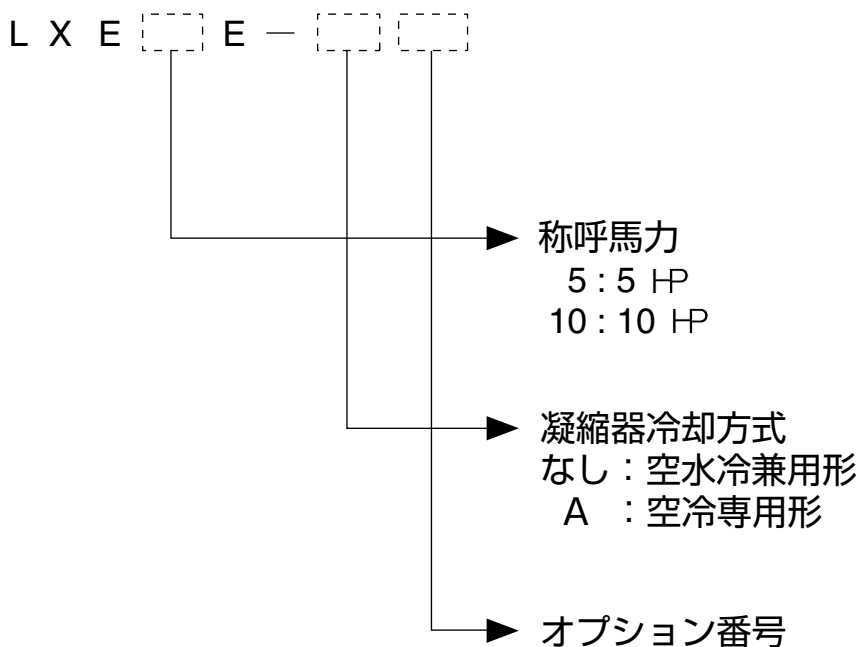
A,B,Cマークの無い部品は、通常の運転では必要性は高くない部品です。

Denomination of Model Name



Note) "R" GIVEN AFTER OPTION NUMBER STANDS FOR "REVISION" AND IT IS GIVEN FOR THE UNIT WHICH IS SPECIALLY MODIFIED.

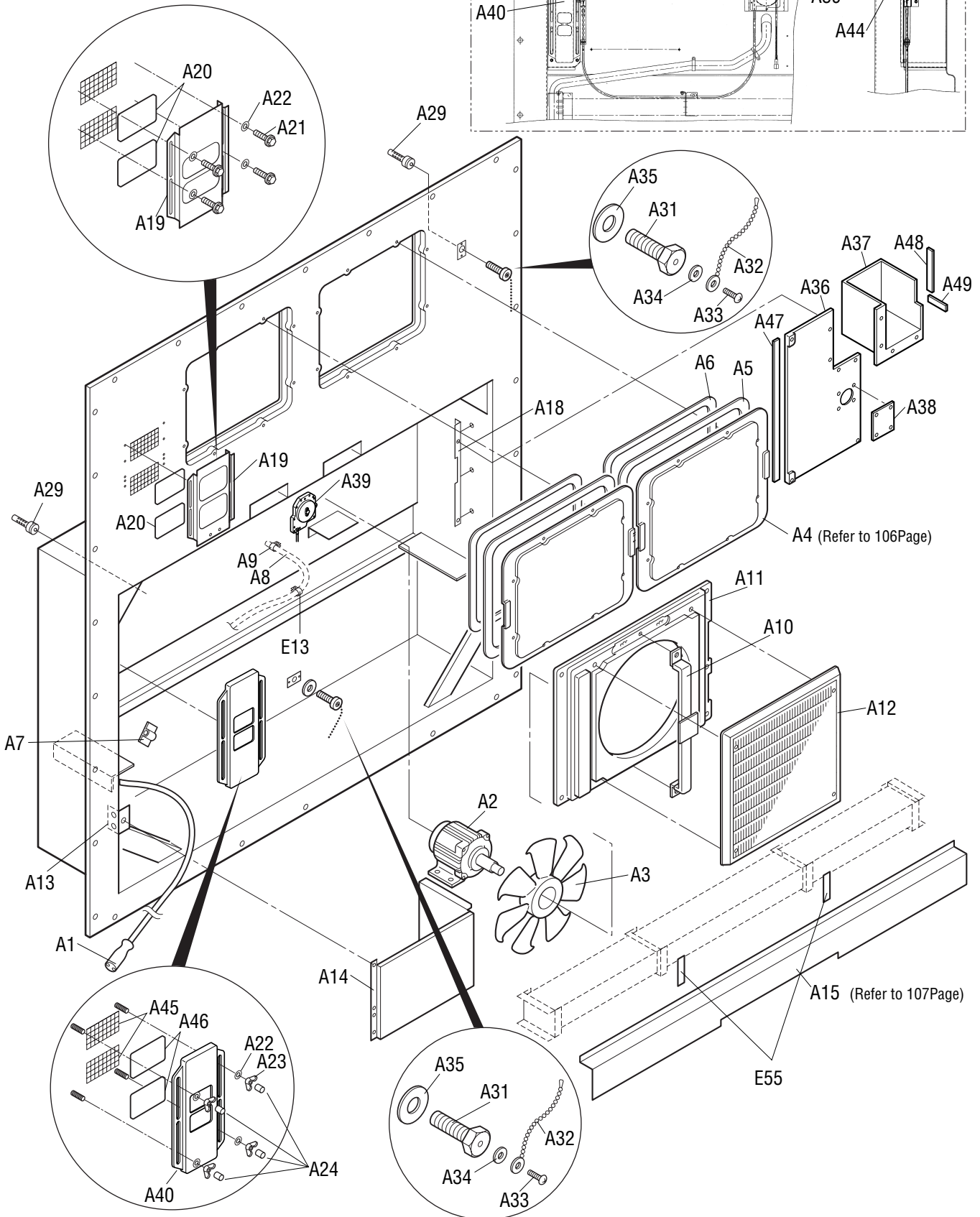
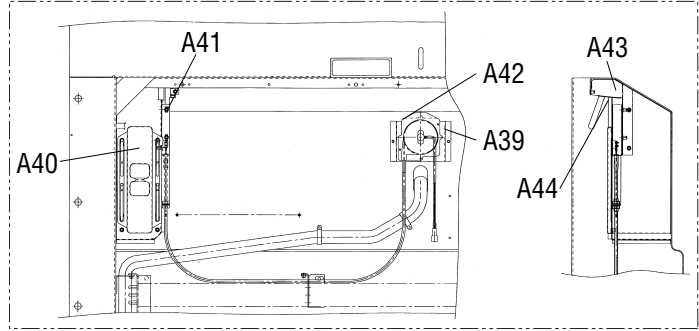
機種名について



注) オプション番号の後に R がつく機種は、改造機で、特別な仕様が加えられていることを意味します。

A. Parts related with the unit(outside)	68
庫外関連部品	
B. Parts related with refrigerant piping(outside)	72
庫外冷媒配管関連部品	
C. Parts related with the unit(inside)	76
庫内関連部品	
D. Parts related with refrigerant piping(inside)	80
庫内冷媒配管関連部品	
E. Other parts(Pipe clamp, sealing and insulation material etc.)	82
その他部品 (配管固定具、シール材、防熱材等)	
F. Control box	90
コントローラボックス	
G. Parts related with name plate	96
銘板関連	
I. Parts related with option 1 – USDA	98
オプション関連部品 1 - USDA関連	
J. Parts related with option 2 – MODEM	100
オプション関連部品 2 - MODEM関連	
K. Parts related with option 3 – Indoor fanguard	102
オプション関連部品 3 - 庫内ファンガード	
L. List of size for standard pipe clamp	104
配管固定具サイズ表	
1. Resin clamp 樹脂バンド	
2. Tube clamp 管止金	
3. Cushion rubber for pipe clamp 管止金用緩衝ゴム	
M. Note for ordering spare parts	106
部品発注の際の注意事項	
1. Parts recommended to be ordered together with packing, gasket, sealing material and name plate 発注の際にパッキングやシール材、銘板等の同時発注を推奨する部品	
2. Order for motorized valve, solenoid valve and pressure regulating valve 電動弁・電磁弁・圧力調整弁の発注	
3. Order for pressure transducer 圧力センサーの発注	
4. Order for temperature sensor 温度センサーの発注	
N. Measuring and adjusting tools	111
測定調整用工具	
1. Tools for emergency operation 緊急運転用工具	
2. Personal computer cable (for DCCS) パソコンケーブル(DCCS用)	
INDEX	114

換気口 (下) 詳細(Lower ventilator cover detail)



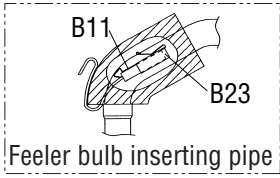
NO. 符号	INDEX	PARTS NO. 部品番号	PARTS NAME	部品名称	DWG. NO. 図面番号	TYPE SPECIFICATION 形式 仕様	QTY/UNIT 1台当たりの 所要数	REMARKS 備考
A1		1624098	Power calbe(400V)	電源ケーブル (400V)	3P150164-1		1	
A2	A	0954936	Condenser fan motor	凝縮器電動機	3P005566-1		1	
A3	B	0980618	Fan blade(outside)	プロペラファン庫外側	P44H11S		2	
A4		1612576	Access panel(FRP)	サービス扉組立品	1P006678-5		2	Refer to Page 106
A5		1266207	Cushion material(access panel)	クッション材 (サービス扉)	3P033608-1		2	Refer to Page 106
A6		1196113	Sealing material (access panel)	シール材 (サービス扉)	3P001640-2		2	Refer to Page 106
A7		1326705	Wire clamp	電線止め金	4P090422-1		1	
A8	C	1266199	Drain hose	ドレンホース	3P011299-1	For trap type	1	
A9		537320	Hose band	ホースバンド	R4716528-3		3	
A10		1266137	Fan guide stay ass'y(outside)	ファンガイドステー組立品(庫外側)	3P027891-1		1	
A11		1588356	Fan guide(Outside)	ファンガイド (庫外側)	1P050906-6		1	
A12		1588349	Discharge grill	吹出グリル	1PA53427-6		1	
A13		1369663	Mounting plate 2, cable storage	ケーブル収納部取付板2	4P006981-2		1	
A14		1496813	Front plate(sheet metal)	前板 (鋁金) (ケーブル・クランプ穴付)	2P115047-1		1	
A15	C	1493698	Front plate(CA)	前板 (CA)	2P114670-1		1	Refer to Page 107
A18		1494521	Fixing plate(1)	外板取付板 (1)	3P128167-1		1	
A19	B	0981060	Ventilation cover	換気口蓋	3P003175-1		1	Refer to Page 107
A20		1266221	Sealing material (ventilator)	シール材 (換気口)	4P016185-1		2	Refer to Page 107
A21		1497924	Hexagon head bolt	六角ボルト (M6)	4P048686-20		4	
A22		0275145	Washer (wood)	平座金 (木材用)	4SK07006-6	M6	8	
A23		833011	Wing nut	蝶ナット	4SK06111-6		4	
A24		1631452	Lock nut	換気口蝶ナット用ロックナット	4P105737-2		4	
A29		1496820	Protection cover(2)	温度計挿入口保護カバー (2)	4P085921-2		2	
A31		1266238	Hexagon head bolt	PC六角ボルト	R4290921-125	M12X25	2	
A32		1386930	Latch(victor chain)	掛金 (ビクターチェーン)	4P063801-1		2	
A33		1266245	Tapping screw	タッピンネジ	4SK05064-8	M3 SUS304	2	
A34		844012S	Plain washer	平座金	4SK07005-3	M3SUS	2	
A35		1267084	Gasket, resin bolt	パッキン樹脂ボルト用	4PA63573-1		2	
A36		1496837	Front plate right(1)	前板右 (1)	3P127708-1		1	
A37		1496844	Front plate right(2)	前板右 (2)	3P127708-2		1	
A38		1496851	Indicator window	インジケータ窓	4P127709-1		1	
A39		1494413	Ventilation opening detector	ポテンシオメータ (下部換気口)	3P124488-1		1	
A40		1494343	Ventilation cover	換気口カバー	3P119918-1		1	Refer to Page 107
A41		1624106	Mounting plate, detector top	取付板 (ポテンシオメータ先端)	3P150027-1		1	
A42		1496875	Mounting plate, detector body	取付板 (ポテンシオメータ本体)	4P116251-1		1	
A43		1496882	Front plate, ventilation port side	前板 (換気口横)	3P122705-2		1	
A44		1496899	Packing, ventilation port	換気口横前板パッキン	4P122747-1		1	
A45		1494329	Insert screen ass'y	防虫網組立品	3P113227-1		2	
A46		1495098	Sealing material (ventilator cover)	シール材 (換気口)	4P119920-1		2	Refer to Page 107
A47		1448612	Sealing material, recorder mounting plate	レコーダ取付板シール材	4P090211-1		1	

Parts related with the unit(outside)
庫外関連部品

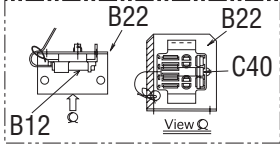
NO. 符号	INDEX	PARTS NO. 部品番号	PARTS NAME 部品名称	DWG. NO. 図面番号	TYPE SPECIFICATION 形式 仕様	QTY/UNIT 1台当たりの 所要数	REMARKS 備考
A48		1495074	Right packing(1) 前板右パッキン (1)	4P118216-1		1	
A49		1495081	Right packing(2) 前板右パッキン (2)	4P118216-2		1	
E13		1266788	Resin clamp 樹脂バンド	NE41015-12	MILK WHITE	6	
E55		1267077	Packing for prevention of vibration CA前板ビビリ防止パッキン	4P050050-1		2	

NO. 符号	INDEX	PARTS NO. 部品番号	PARTS NAME	部品名称	DWG. NO. 図面番号	TYPE SPECIFICATION 形式 仕様	QTY/UNIT 1台当たりの 所要数	REMARKS 備考

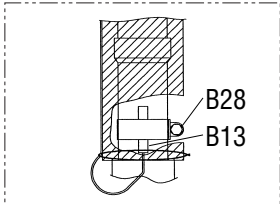
B11詳細(Detail of B11)



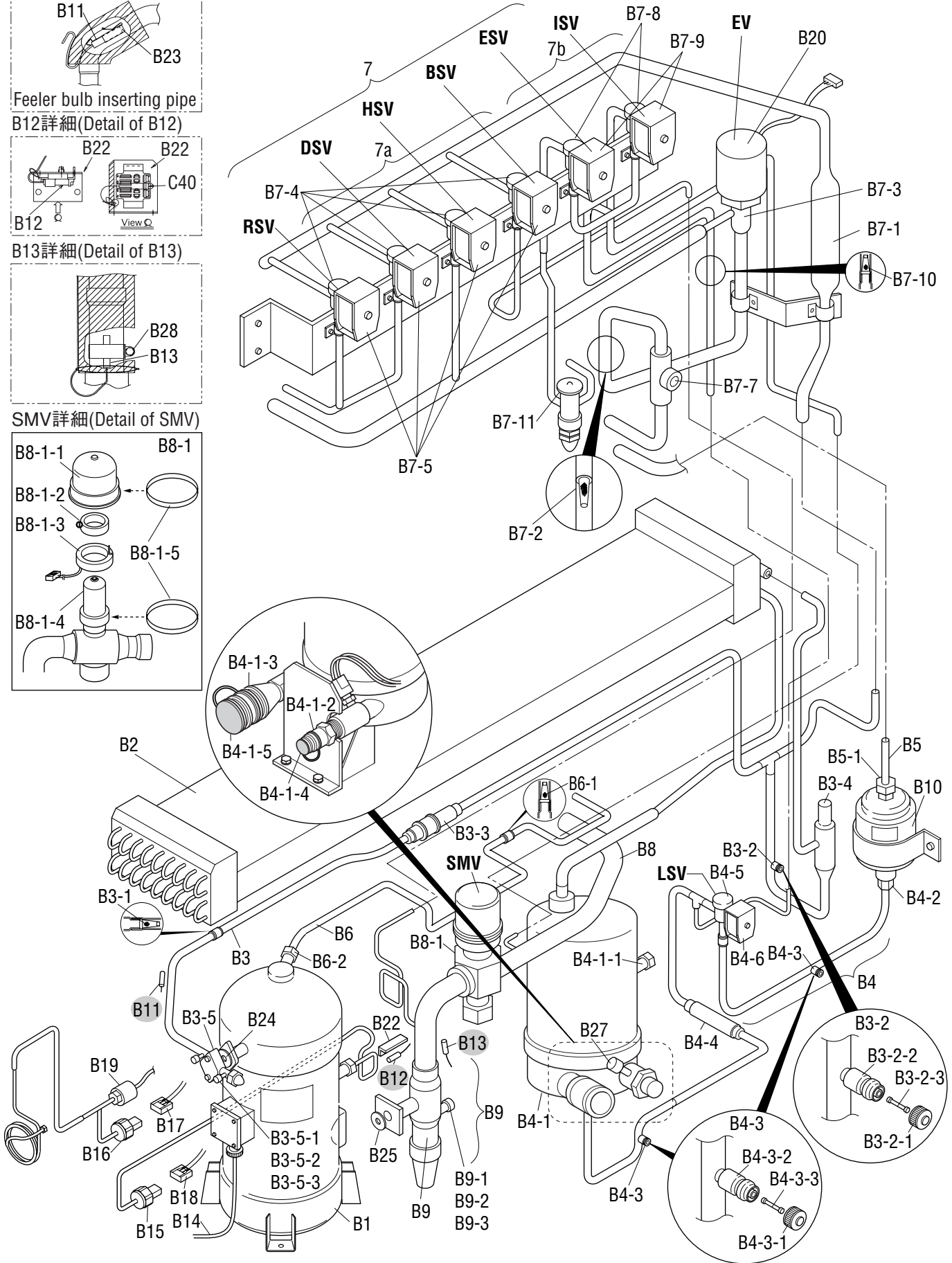
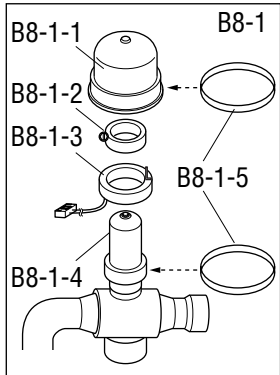
B12詳細(Detail of B12)



B13詳細(Detail of B13)



SMV詳細(Detail of SMV)



NO. 符号	INDEX	PARTS NO. 部品番号	PARTS NAME	部品名称	DWG. NO. 図面番号	TYPE SPECIFICATION 形式 仕様	QTY/UNIT 1台当たりの 所要数	REMARKS 備考
B1	A	1199415	Compressor	圧縮機	JT224D-NYR		1	
B2	C	1496907	Air cooled condenser	空冷凝縮器	CA-LXE10E2		1	
B3		1508141	Discharge pipe ass'y	吐出配管組立品(閉鎖弁仕様・MSL)	2P126374-1		1	
B3-1	C	1199167	Strainer	ストレーナ	4P051389-1		1	
B3-2	C	1178937	Service valve ass'y	サービスバルブ組立品	3P048907-1		1	
B3-2-1	B	1175914	Service valve cap	キャップ	3P048907-1-KU		1	
B3-2-2	B		Service valve body	本体	3P048907-1-KA		1	
B3-2-3	B	1178867	Valve core	バルブコア	3P048907-1-KI		1	
B3-3	B	0684220	Check valve	逆止弁	3SA27008-1		1	
B3-4	A	1241361	Discharge pressure regulating valve	吐出圧力調整弁	3P074558-1		1	Refer to Page 108
B3-5		1494639	Stop valve ass'y, compressor discharge side	圧縮機吐出側閉鎖弁組立品	3SA58058-1		1	
B3-5-1	B	1497816	Service valve cap	サービスバルブキャップ	3SA58058-1-TU		1	
B3-5-2	B	1497830	Service valve body	サービスバルブ本体	3SA58058-1-TA		1	
B3-5-3	B	1497854	Service valve valve core	サービスバルブバルブ	3SA58058-1-TI		1	
B4			LSV pipe ass'y(flare nur forging)	LSV配管組立品(フレアナット鍛造)	3P158737-1		1	
B4-1		1493744	Water cooled condenser	水冷凝縮器	CU-LXE10E		1	
B4-1-1	A	1498035	Fusible plug	可熔栓	3SA27103-1		1	
B4-1-2		258215	Water inlet joint	冷却水入口継手	R4713106-2		1	
B4-1-3		1508127	Water outlet socket	開放形ソケット	3P121979-1		1	
B4-1-4	B	1624120	Water inlet cap	水入口用ダストキャップ	3P147705-1		1	
B4-1-5	B	1624137	Water outlet cap	水出口用ダストキャップ	3P147705-2		1	
B4-2		1424957	Flare nut	フレアナット(鍛造)	4SK23012-4		1	
B4-3	C	1178920	Service valve ass'y	サービスバルブ組立品	3P048905-1		2	
B4-3-1	B	1175921	Service valve cap	キャップ	3P048905-1-KU		2	
B4-3-2	B		Service valve body	本体	3P048905-1-KA		2	
B4-3-3	B	1178850	Valve core	バルブコア	3P048905-1-KI		2	
B4-4		0299134	Filter	フィルタ	3SA26004-2		1	
B4-5	A	0944566	NEV type solenoid valve body	NEV型電磁弁本体	R3305118-1	NEV-803DXF	1	Refer to Page 108
B4-6	A	0955287	Solenoid valve coil	電磁弁コイル	3P010453-1		1	Refer to Page 108
B5			Liquid pipe ass'y	液配管組立品	3P158739-1		1	
B5-1		1424957	Flare nut	フレアナット(鍛造)	4SK23012-4		1	
B6			ESV pipe ass'y	ESV配管組立品(ミニ熱交無・MSL)	3P158740-1		1	
B6-1	C	0085296	Strainer	ストレーナ(100メッシュ)	R4697892		1	
B6-2		0080347	Flare nut	フレアナット	4SK23011-3		1	
B7			Expansion valve pipe ass'y	膨張弁配管全体組立品(レヒート・MSL)	2P158742-1		1	
B7a			Expansion valve pipe ass'y	膨張弁配管組立品(レヒート・MSL)	2P158743-1		1	
B7-1		1505748	Filter	フィルタ	3P011071-1		1	
B7-2	C	1490846	Strainer	ストレーナ	4P051958-1		1	
B7-3	A	1256495	Electronic expansion valve body ass'y	電子膨張弁本体組立品	2SA50010-2-KU		1	Refer to Page 108
B7-4	A	0944566	NEV type solenoid valve body	NEV型電磁弁本体	R3305118-1	NEV-803DXF	4	Refer to Page 108

● When ordering the parts whose No. are not shown in the PARTS NO. column, be sure to describe DWG. NO..

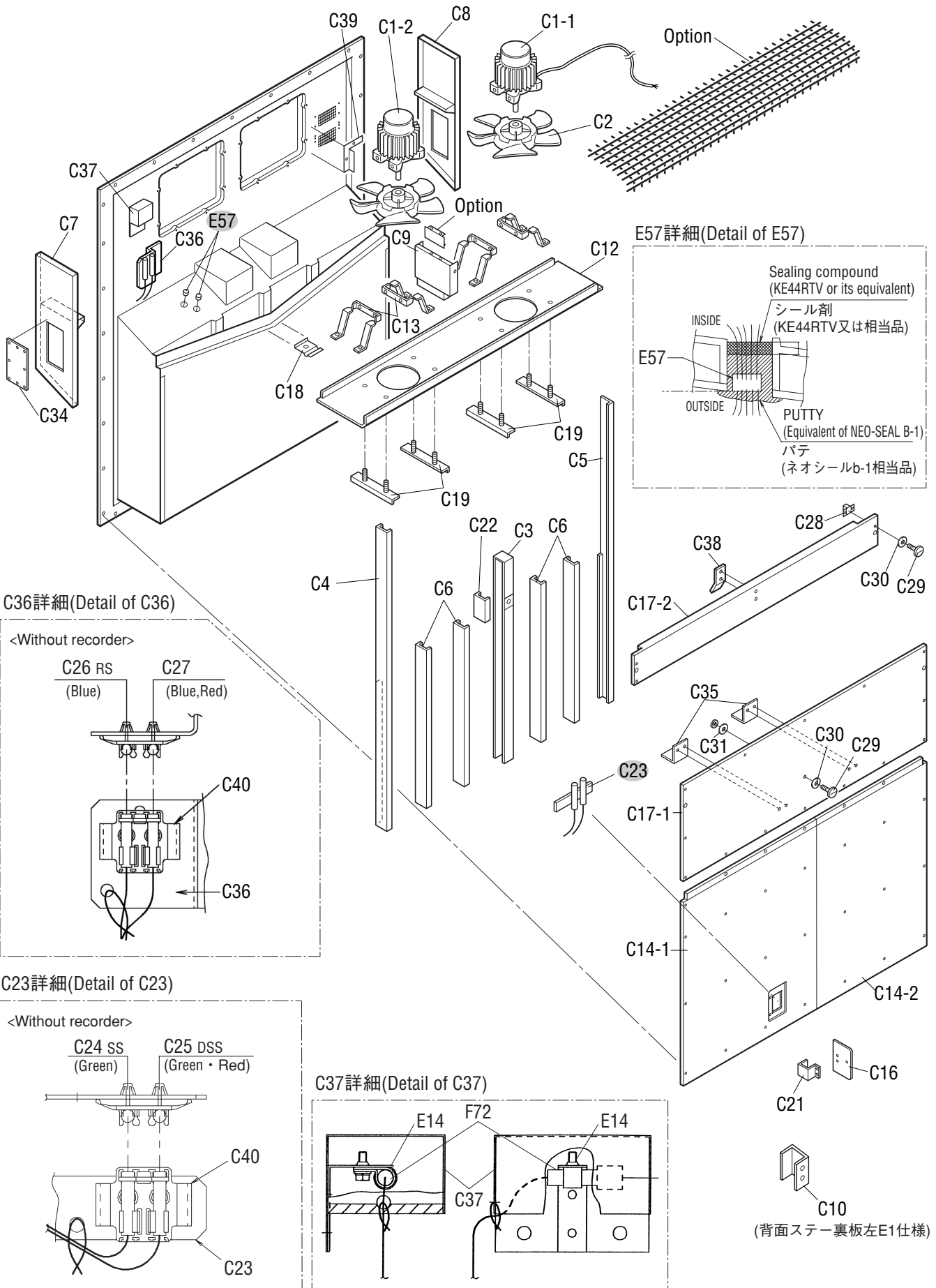
● 部品番号欄が空白になっている部品は、図面番号で、指示願います。

Parts related with refrigerant piping(outside)
庫外冷媒配管関連部品

NO. 符号	INDEX	PARTS NO. 部品番号	PARTS NAME	部品名称	DWG. NO. 図面番号	TYPE SPECIFICATION 形式 仕様	QTY/UNIT 1台当たりの 所要数	REMARKS 備考
B7-5	A	1266290	Solenoid valve coil	電磁弁コイル	3P010453-2		4	Refer to Page 108
B7-7	A	0622107	Liquid moisture indicator	モイスターインジケーター	3PA51270-3	SGN12S	1	
B7b			ISV,ESV,TEV pipe ass'y	ISV・ESV・TEV配管組立品(MSL)	2P158744-1		1	
B7-8	A	0088738	Nev type solenoid valve body	NEV型電磁弁本体	R3305099-1-KI	NEV-202DXF	2	Refer to Page 108
B7-9	A	1266290	Solenoid valve coil	電磁弁コイル	3P010453-2		2	Refer to Page 108
B7-10	C	0964166	Strainer	ストレーナ	4P012568-1		1	
B7-11	A	1497931	Expansion valve	膨張弁	3SA50065-1		1	Refer to Page 108
B8		1508204	Suction pipe ass'y(inside)	吸入配管組立品(庫内)閉鎖弁仕様・MSL	3P120640-2		1	
B8-1	A	1254538	Suction modulating valve ass'y	吸入比例弁組立品	2P078385-1		1	Refer to Page 108
B8-1-1		1270376	Upper cover, suction modulating valve	吸入比例弁カバー上	2P078385-1-KA		1	
B8-1-2		1496914	Clamp, suction modulating valve	吸入比例弁クランプ	2P078385-1-KI		1	
B8-1-3		1270390	Coil, suction modulating valve	吸入比例弁コイル	2P078385-1-KU		1	
B8-1-4		1270408	Body, suction modulating valve	吸入比例弁本体	2P078385-1-KE		1	
B8-1-5		1270415	Cover band, suction modulating valve	吸入比例弁カバーバンド	2P078385-1-KO		2	
B9	C	1494646	Stop valve ass'y	閉鎖弁組立品	3SA58059-1		1	
B9-1	C	1497823	Service valve cap	サービスバルブキャップ	3SA58059-1-TO		1	
B9-2	B	1497847	Service valve body	サービスバルブ本体	3SA58059-1-TE		1	
B9-3	B	1497861	Service valve valve core	サービスバルブバルブ	3SA58059-1-NA		1	
B10	B	1493542	Drier ass'y	ドライヤ組立品(Oリング付)	3P126009-1		1	
B11	A	0983321	Sensor, discharge pipe temperature(DCHS)	吐出管用センサ(DCHS)	3SA48009-10		1	Refer to Page 110
B12	A	0798321	Sensor, ambient air temperature(AMBS)	外気温度センサ(AMBS)	3PA61769-6	ST9503-6(NIL)	1	Refer to Page 110
B13	A	0983338	Sensor, comp suction pipe temperature(SGS)	圧縮機吸込配管温度用センサ(SGS)	3PA61769-9	ST9503-9(white)	1	Refer to Page 110
B14		1624113	Cable(compressor)PNP	ケーブル(圧縮機CEマーク)PNP	3P141857-1		1	
B15	A	1587942	Low pressure transducer (LPT)	低圧圧力センサ(LPT)	3P141601-1	NSK-BCO10F-070	1	Refer to Page 109
B16	A	1587959	High pressure transducer (HPT)	高圧圧力センサ(HPT)	3P141602-1	NSK-BCO30F-070	1	Refer to Page 109
B19	A	1241378	High pressure switch	高圧圧力開閉器	3P071506-1		1	
B20	A	1381430	Electronic expansion valve coil	電子膨張弁コイル	2P010454-2		1	Refer to Page 108
B22		1605453	Thermostat cover(Resin)	サーモカバー(樹脂用)	4P144439-1		1	
B23		0423968	Mounting spring,thermistor	サーミスタ取付バネ	4PA38890-1		2	
B24	A	0132192	Flange packing, compressor discharge	圧縮機吐出側フランジパッキン	4SK20053-4		1	
B25	A	0395032	Flange packing, compressor suction	圧縮機吸入側フランジパッキン	R4221042-1		1	
B27	A	0619480	Water pressure switch	水用圧力スイッチ	R3310424-4	LCB-MB10	1	
B28		537320	Hose band	ホースバンド	R4716528-3		1	
E105		1509548	Wire harness	ワイヤハーネス(アース)	4P131084-1		1	

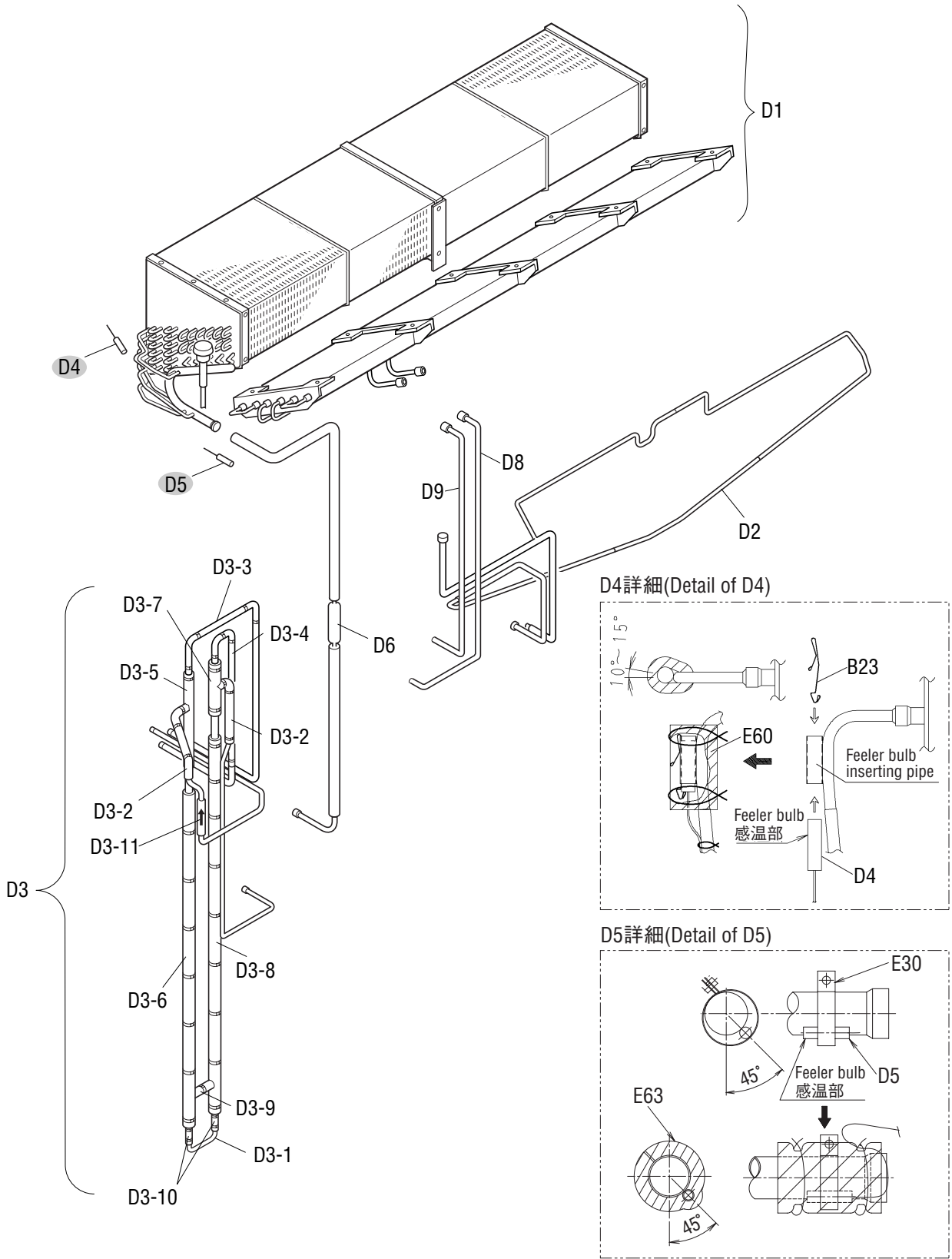
• When ordering the parts whose No. are not shown in the PARTS NO. column, be sure to describe DWG. NO..

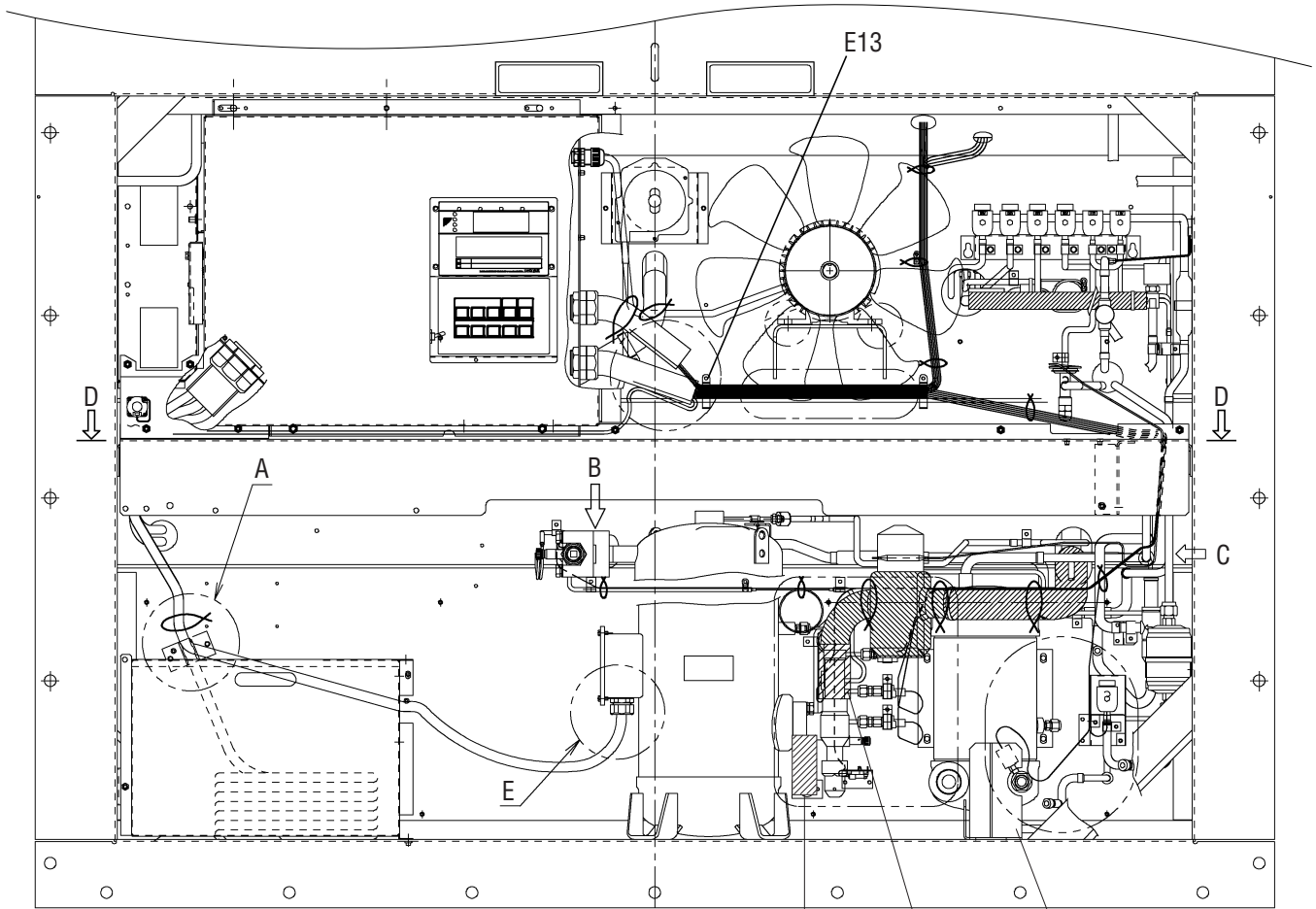
• 部品番号欄が空白になっている部品は、図面番号で、指示願います。



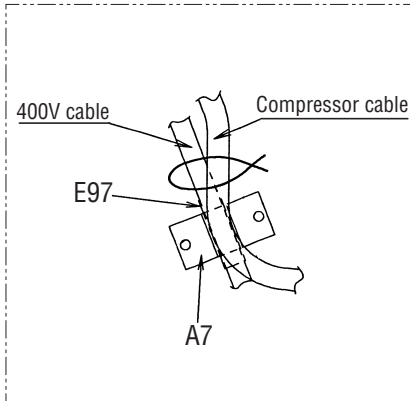
NO. 符号	INDEX	PARTS NO. 部品番号	PARTS NAME	部品名称	DWG. NO. 図面番号	TYPE SPECIFICATION 形式 仕様	QTY/UNIT 1台当たりの 所要数	REMARKS 備考
C1-1	A	1624144	Three phase AC fan motor	三相交流ファン電動機	3PA07524-6	Wire L=2970	1	
C1-2	A	1624151	Three phase AC fan motor	三相交流ファン電動機	3PA07524-7	Wire L=4120	1	
C2	B	0777519	Fan Brade(inside)	プロペラファン (庫内側)	P32P11F		2	
C3		1410958	Center stay	中央ステー	3P094853-1		1	
C4		1631995	Side stay	サイドステー	3P160454-1	t2.5	1	
C5		1632006	Side stay(2)	サイドステー (2)	3P160455-1		1	
C6		1380730	Rear stay	背面ステー (レヒート)	3P103621-1		4	
C7		1631849	Plate finned coil frame(1)	蒸発器枠 (1) MSL	2P160452-1		1	
C8		1631856	Plate finned coil frame(2)	蒸発器枠 (2) MSL	2P160452-2		1	
C9		1494134	Fan guide fixing plate	ファンガイド固定板	3P105378-1		1	
C10		1624168	Support	背面ステー (裏板左口仕様)	4P156199-1		1	
C12		1605237	Fan guide ass'y	ファンガイド組立品(レヒート・キャリブレーション有)	3P123264-1		1	
C13		1565199	Set plate, fan motor	電動機取付脚	3P144888-1		4	
C14-1		1622434	Rear plate(lower/left)	裏板 (下/左)	2P144516-1		1	
C14-2		1622441	Rear plate(lower/right)	裏板 (下/右)	2P144517-1		1	
C16		1622458	Supply sensor inspection door	サブライセンサ点検蓋	4P148634-1		1	
C17-1		1622465	Rear plate(middle)	裏板 (中)	2P144515-1		1	
C17-2		1622472	Rear plate(upper)	裏板 (上)	2P144514-1		1	
C18		1266485	Partition plate (drain outlet)	仕切板 (ドレン出口)	4P011317-1		1	
C19		1135978	Reinforce plate, fan motor	補強板 (ファン電動機台)	4P011316-1		4	
C21		1135125	Hinge	蝶番	3P043374-1		1	
C22		1266524	Support plate	支柱補強柱	4P061342-1		1	
C23		1605466	Mounting plate	サブライセンサ取付板	4P144433-1		1	
C24	A	1375310	Sensor(SS)	センサー (SS)	3PA61769-11		1	Refer to Page 110
C25	A	1375327	Sensor(DSS)	センサー (DSS)	3PA61769-12		1	Refer to Page 110
C26	A	1375334	Sensor(RS)	センサー (RS)	3PA61769-13		1	Refer to Page 110
C27	A	1375341	Sensor(DRS)	センサー (DRS)	3PA61769-14		1	Refer to Page 110
C28		860015	Universal nut	自在ナット	R4713188-1		9	
C29		860030S	Speed bolt	スピードボルト (M6)	4P048680-2	M6X29(S)	18	
C30		860005	Washer, speed bolt	スピードボルト用座金	R4713334		2	
C31		840002	Drop out prevention washer	脱落防止座金	R4718607-6		2	
C34		1380848	Cover	カバー	3P090387-1		1	
C35		1496976	Rear plate(middle) fixture	裏板 (中) 固定具	4P105391-1		2	
C36		1622489	Return sensor mounting plate	リターンセンサ取付板	4P144429-1		1	
C37		1380862	RH sensor mounting plate	RHセンサ固定板	4P000182-1		1	
C38		1496983	Fixing plate, rear plate(upper)	裏板 (上) 固定具	4P105390-1		1	
C39		1496990	Shield plate	遮蔽板	4P123922-1		1	
C40		1605244	Thermister fixing plate, Resin	サーミスタ固定具 (樹脂)	3P124175-1		3	
E14		0508162	Resin clamp	樹脂バンド	NE41015-3		1	
E57		1267091	Wiring protection bush	配線保護ブッシュ	4P023920-1	BLACK	2	

NO. 符号	INDEX	PARTS NO. 部品番号	PARTS NAME 部品名称	DWG. NO. 図面番号	TYPE SPECIFICATION 形式 仕様	QTY/UNIT 1台当たりの 所要数	REMARKS 備考
E72		1267286	Thermal insulation tube 断熱筒配管緩衝材	4P011309-3		1	

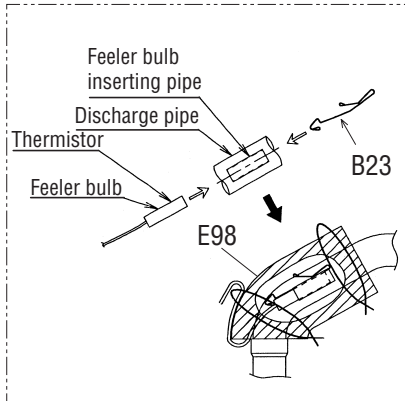




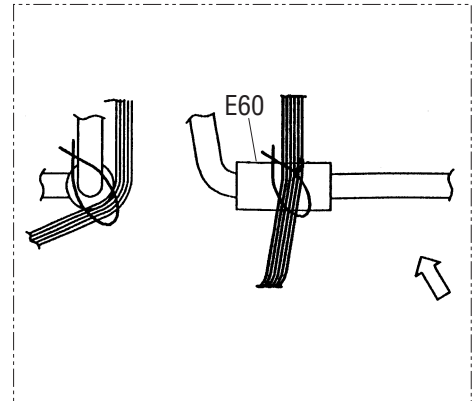
A部詳細(Detail of A)



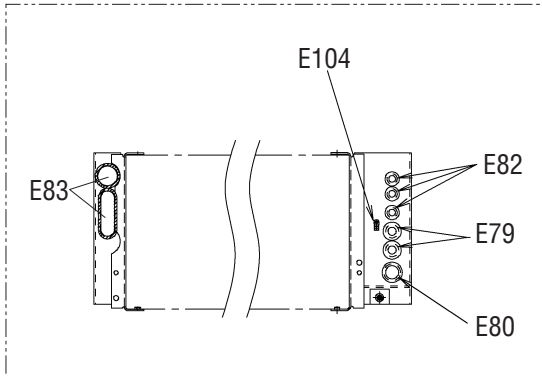
矢視B(View B)



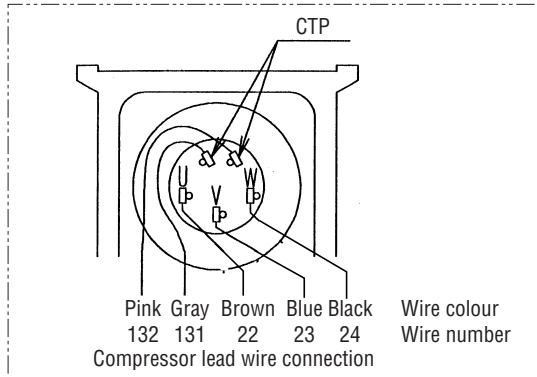
矢視C(View C)



D断面(Section D)



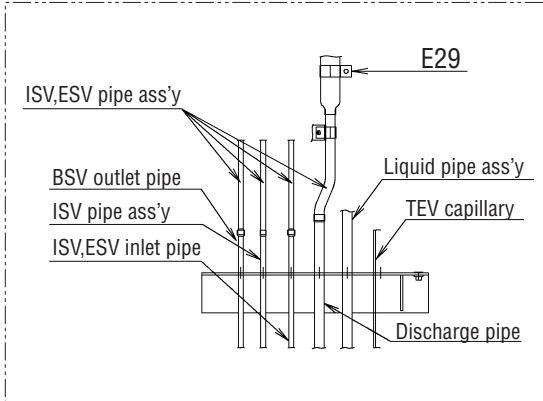
矢視E(View E)



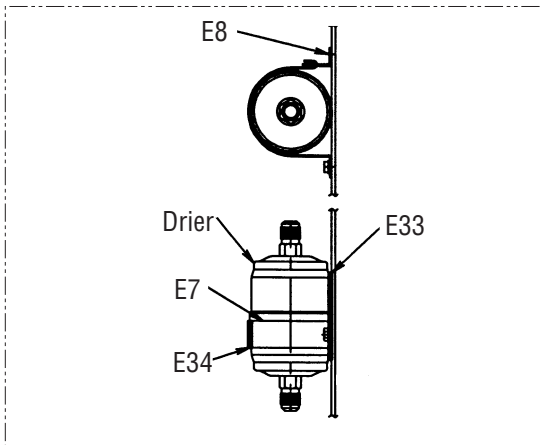
※(L = XX mm) indicates the length of cushion rubber E35.(Cut to suit pipe size.)

※(L = XX mm)と表記のものは、緩衝ゴム(E35)の長さです。(配管のサイズに合わせて切って使用ください。)

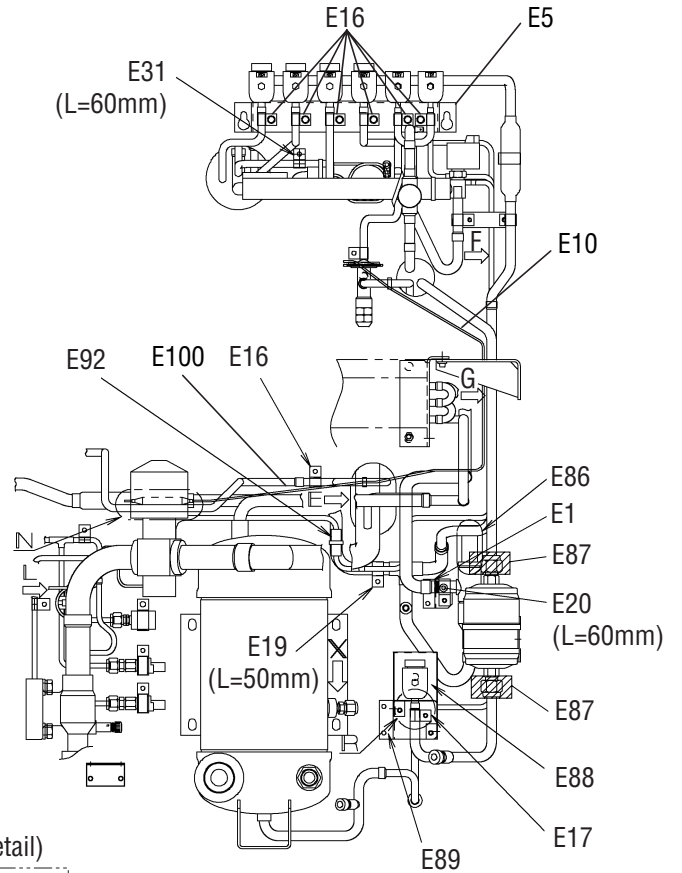
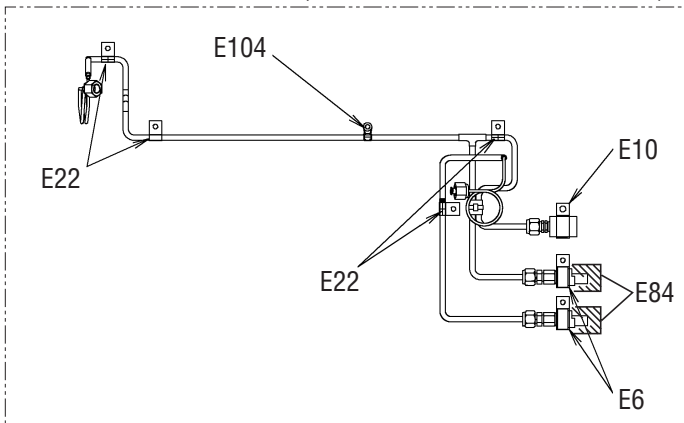
矢視F/G(View F/G)



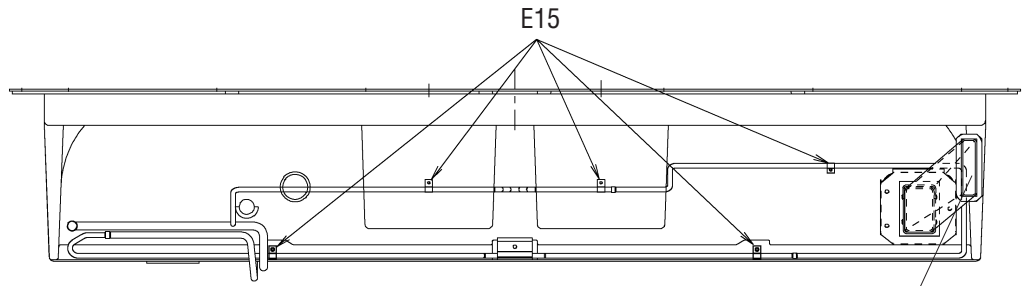
ドライヤー部詳細(Dryer part detail)



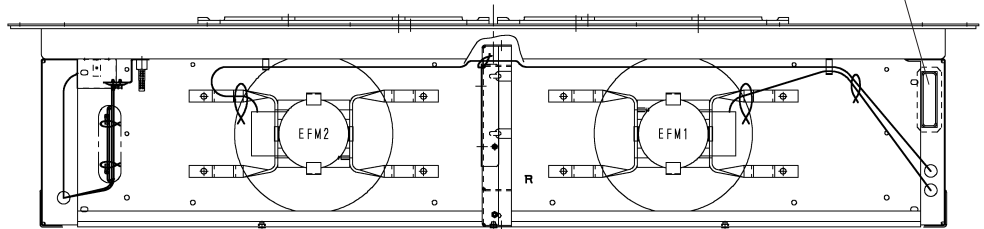
圧力センサー配管部詳細(Pressure transducer piping detail)



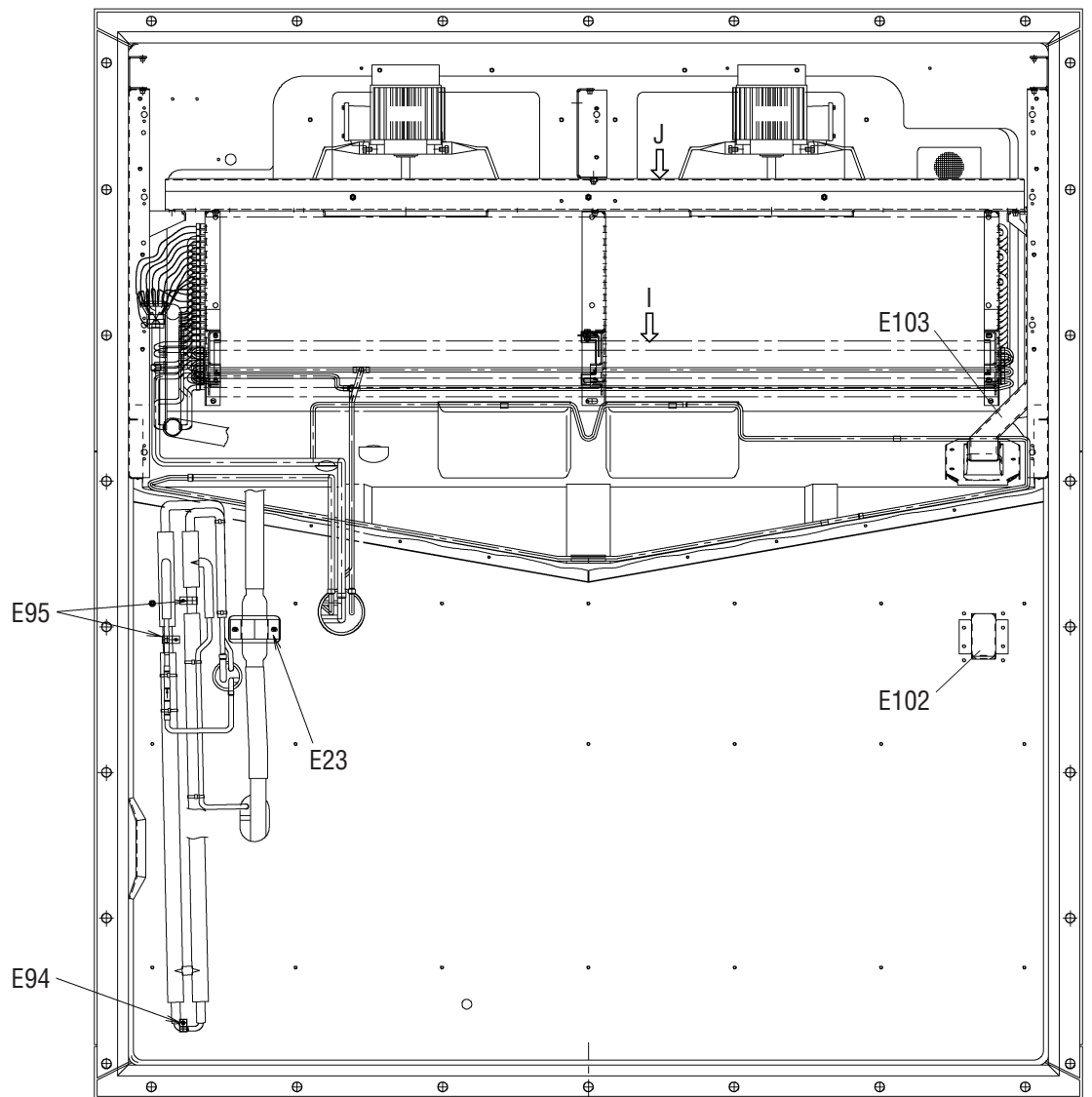
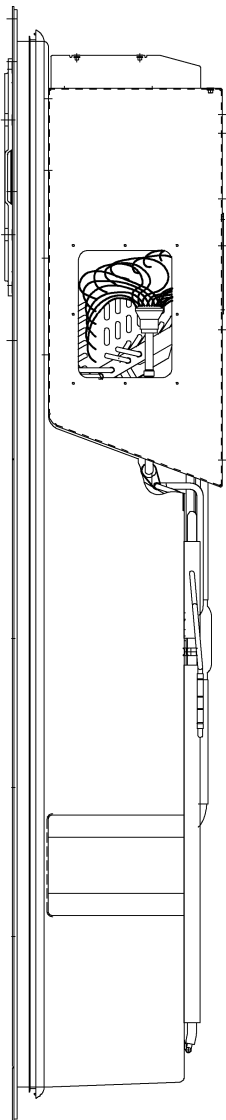
冷媒配管部詳細(Refrigerant piping detail)

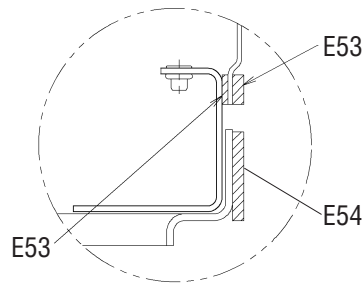


矢視I(View I)
Drain pan piping ass'y fixing detail

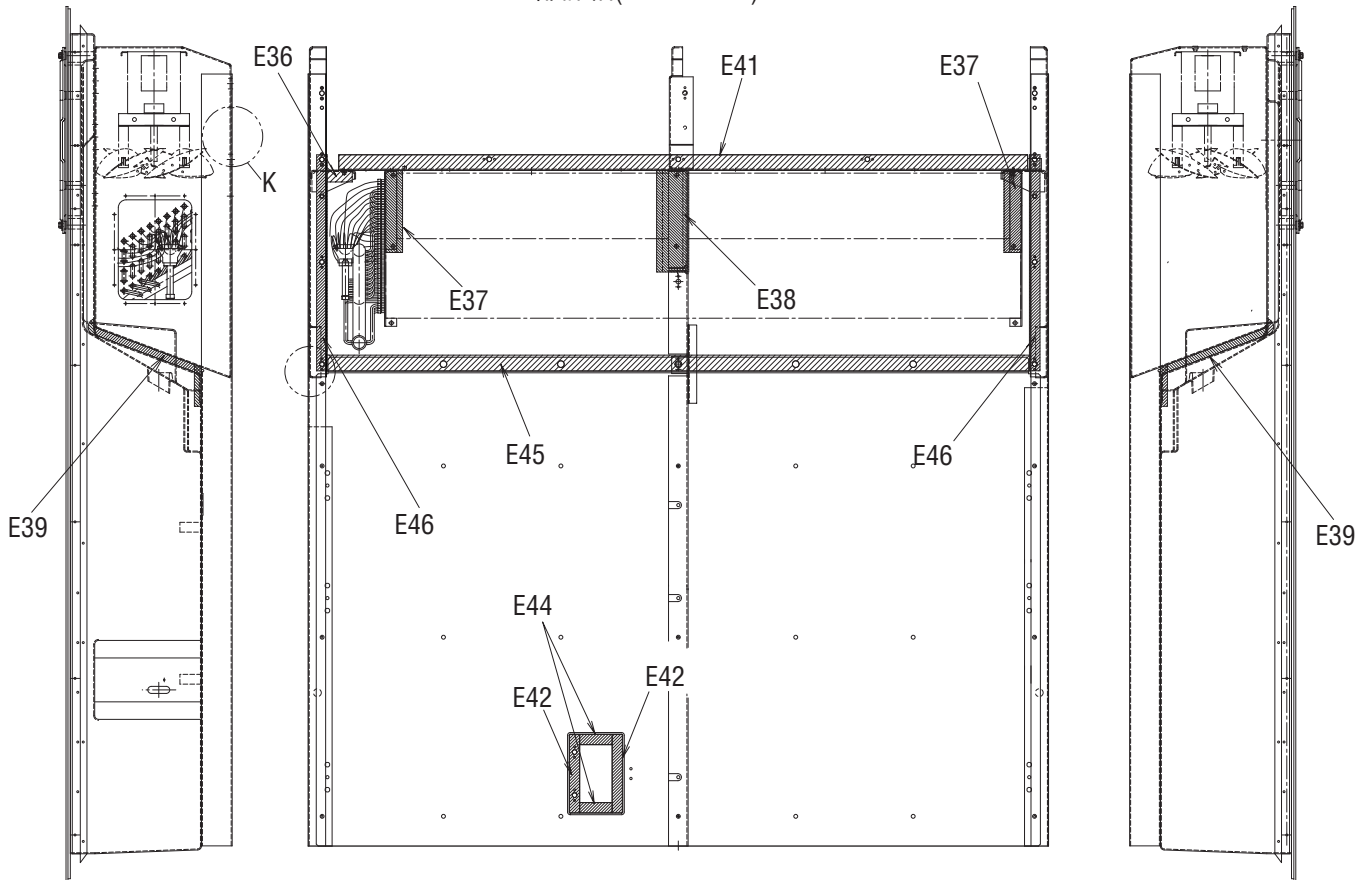


矢視J(View J)

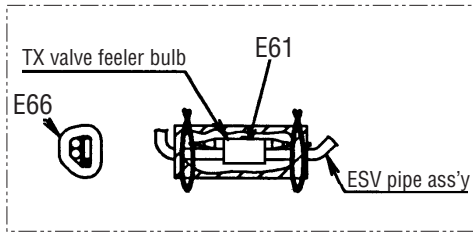




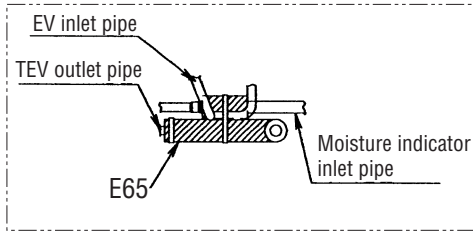
K部詳細 (Part K detail)



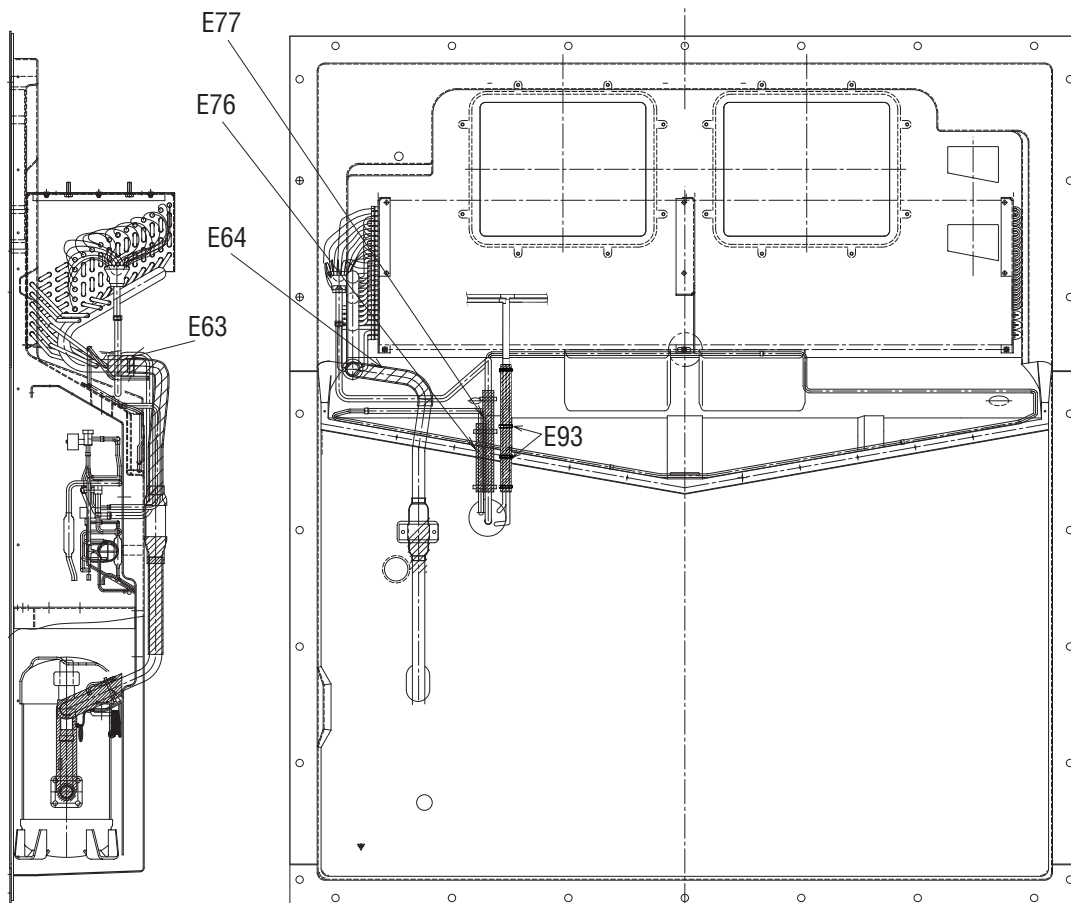
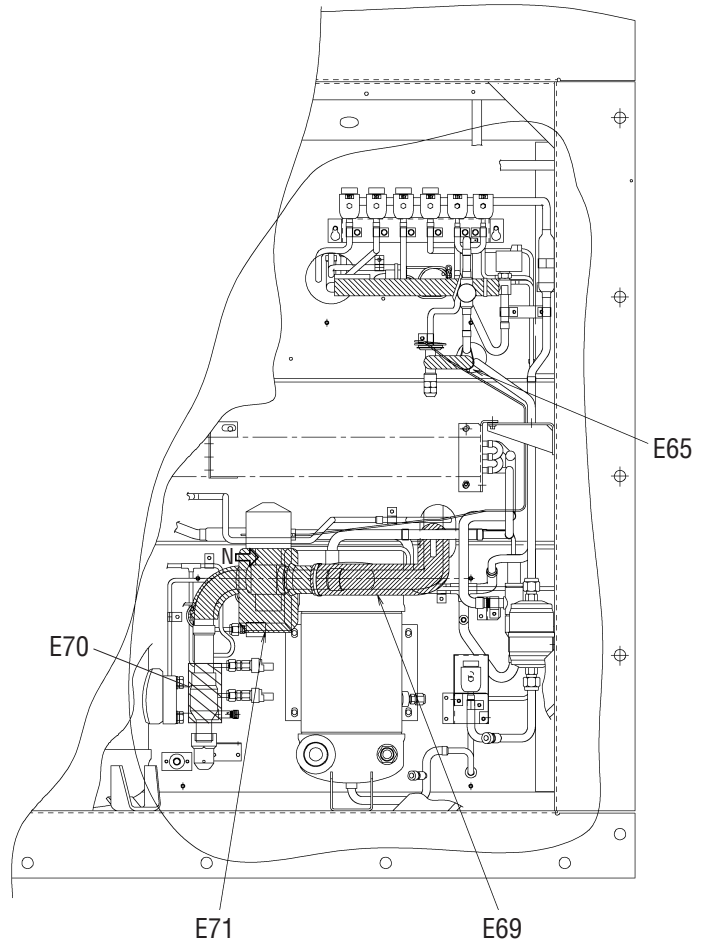
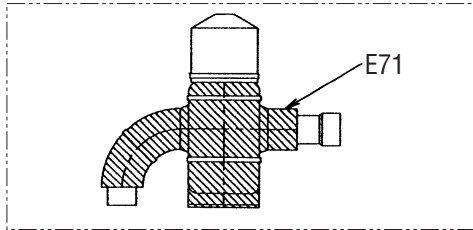
N部詳細(Part N detail)



矢視L(View L)



SMV防熱詳細(SMV insulation detail)

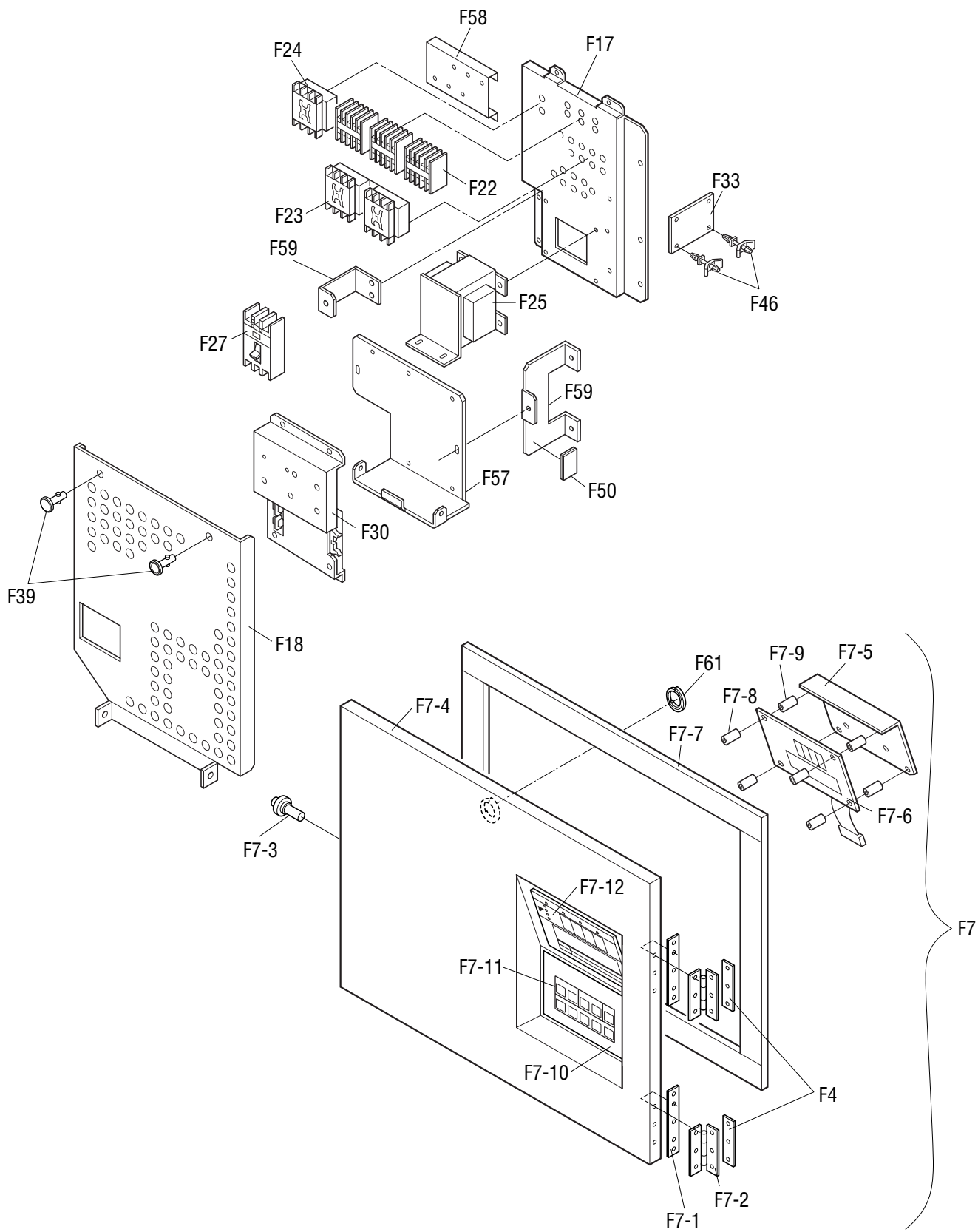


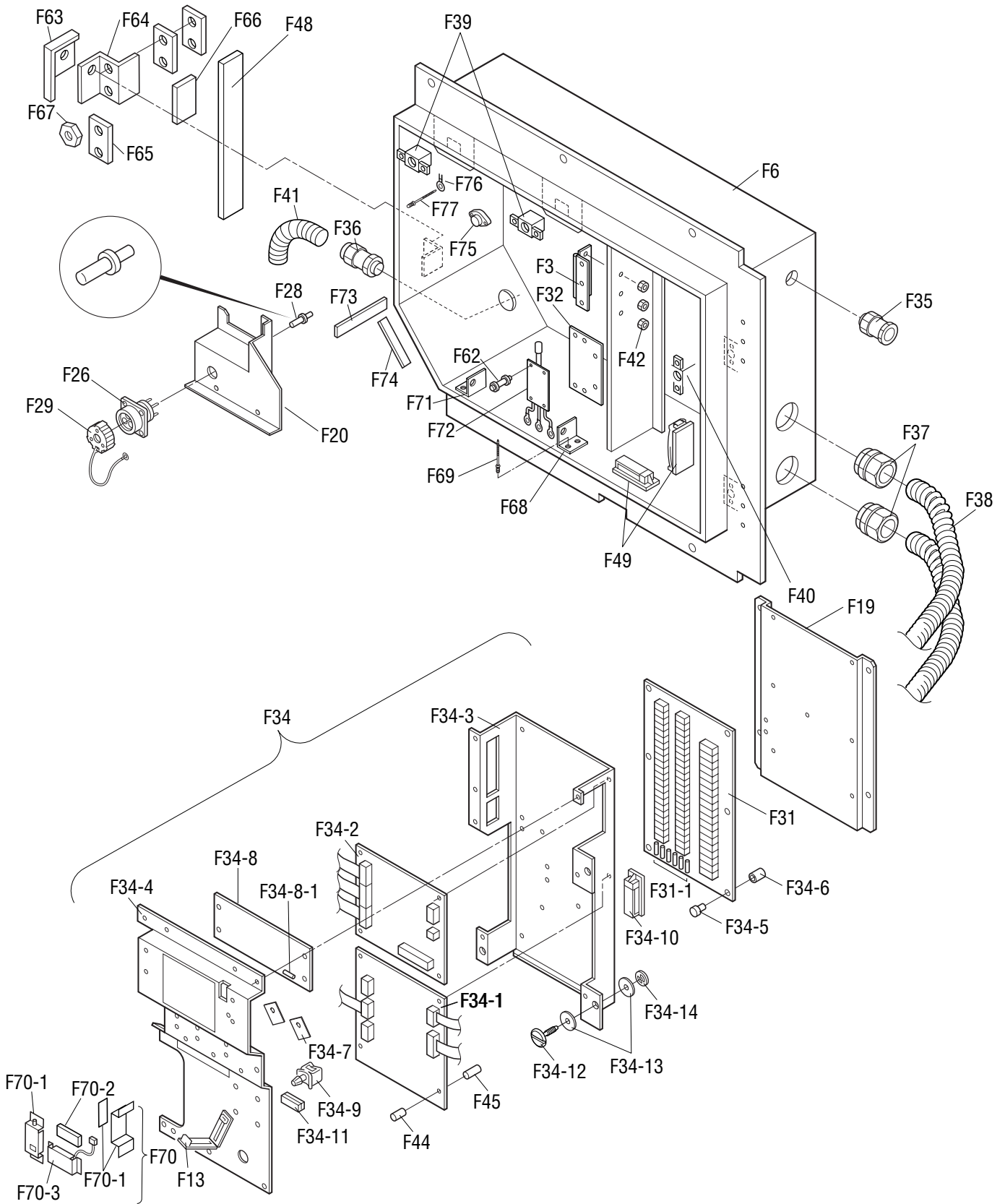
NO. 符号	INDEX	PARTS NO. 部品番号	PARTS NAME	部品名称	DWG. NO. 図面番号	TYPE SPECIFICATION 形式 仕様	QTY/UNIT 1台当たりの 所要数	Refer to Page 参照ページ
E1		1266694	Mounting plate	吐出配管取付板	4P079462-1		1	Page 83
E5		1605477	Set plate, HSV · DSV · BSV · RSV	HSV · DSV · BSV · RSV取付板組立品	4P148770-1		1	Page 83
E6		1656329	Tube clamp	管止め金 (SUS)	4P159506-58		2	Page 83
E7		1266764	Fitting band, dryer	ドライヤー取付バンド	4PA51194-1		1	Page 83
E8		1266771	Set plate, dryer	取付板 (ドライヤー)	4P076788-1	t2.0	1	Page 83
E10		1222764	Resin clamp	樹脂バンド	NE41015-9	MILK WHITE	1	Page 83
E11		0944528	Resin clamp	樹脂バンド	NE41015-7	MILK WHITE	1	
E12		0142492	Resin clamp	樹脂バンド	NE41015-10	MILK WHITE	3	
E13		1266788	Resin clamp	樹脂バンド	NE41015-12	MILK WHITE	6	Page 82
E14		0508162	Resin clamp	樹脂バンド	NE41015-3		1	Page 76
E15		1656336	Tube clamp	管止め金 (SUS)	4P159506-51		5	Page 84
E16		1656343	Nylon coating tube clamp	ナイロンコーティング管止め金	4P159505-51		2	Page 83
E17		1656350	Nylon coating tube clamp	ナイロンコーティング管止め金	4P159505-52		1	Page 83
E19		1656367	Tube clamp	管止め金 (SUS)	4P159506-55		1	Page 83
E20		1656374	Tube clamp	管止め金 (SUS)	4P159506-56		1	Page 83
E22		1656381	Nylon coating tube clamp	ナイロンコーティング管止め金	4P159505-71		4	Page 83
E23		1632183	Fixing plate, filter	フィルタ固定具	4P160313-1	t1.5	1	Page 84
E29		1656398	Nylon coating tube clamp	ナイロンコーティング管止め金	4P159505-59		1	Page 83
E30		537320	Hose band	ホースバンド	R4716528-3		1	Page 80
E31		1656343	Hot gas tube clamp	ナイロンコーティング管止め金	4P159505-51		1	Page 83
E33		1266896	Seal packing	シールパッキン	4P011314-1		1	Page 83
E34		1270446	Dryer cushion rubber	ドライヤー緩衝ゴム	4PA53083-2		1	Page 83
E35		1584253	Cushion rubber	緩衝ゴム	NE41013-3-300		1	
E36		1386947	Sealing material, evaporator frame	蒸発器受枠 (1) シール材	4P090149-1		1	Page 85
E37		1266935	Packing(for evaporator)	パッキン (蒸発器)	4P063465-1		2	Page 85
E38		1266942	Packing(for evaporator)	パッキン (蒸発器)	4P063465-2		1	Page 85
E39		1381036	Packing	パッキン	4P095033-1		2	Page 85
E41		1386954	Packing, fan guide	ファンガイドパッキン	3P090183-1		1	Page 85
E42		1624290	Supply sensor cover sealing	シール材 (1)	4P154324-1		2	Page 85
E44		1624308	Supply sensor cover sealing	シール材 (2)	4P154324-2		2	Page 85
E45		1267008	Sealing packing	シールパッキン	3P011293-1		1	Page 85
E46		1605422	Side stay packing	サイドステーパッキン	4P095033-2		2	Page 85
E53		1326851	Packing(rear plate)	パッキン (裏板上)	3P073551-1		1	Page 85
E54		1267060	Packing for prevention of air bypass	バイパス防止用パッキン	4P011733-1		2	Page 85
E55		1267077	Packing for prevention of vibration	CA前板ビビリ防止パッキン	4P050050-1		2	Page 68
E57		1267091	Wiring protection bush	配線保護ブッシュ	4P023920-1	BLACK	2	Page 76
E60		1267293	Thermal insulation tube	断熱筒配管緩衝材	4P011309-4		1	Page 82
E61		698506	Feeler bulb clamp	感温筒固定金具	R3687714-3		1	Page 86
E63		1267154	Insulation tube, evaporater header	蒸発器ヘッダー防露筒	4P073525-1		1	Page 86
E64		1267161	Cushion material suction pipe(1)	吸入配管緩衝材 (1)	3P073468-1		1	Page 86

Other parts(Pipe clamp, sealing and insulation material etc.)
 その他部品 (配管固定具、シール材、防熱材等)

NO. 符号	INDEX	PARTS NO. 部品番号	PARTS NAME 部品名称	DWG. NO. 図面番号	TYPE SPECIFICATION 形式 仕様	QTY/UNIT 1台当たりの 所要数	Refer to Page 参照ページ
E65		1656420	Thermal insulation tube	温度膨張弁出口配管防露筒	4P161109-1	1	Page 86
E66		1495245	Thermal insulation tube	温度膨張弁感温部防露筒	4P129615-1	1	Page 86
E69		1497049	Thermal insulation tube	吸入比例弁入口側防露筒	4P120925-1	1	Page 86
E70		1495106	Thermal insulation tube	吸入比例弁出口側防露筒	4P120926-1	1	Page 86
E71		1448371	Suction solenoid valve insulator	吸入比例弁防熱材 (1)	2P079441-1	1	Page 86
E72		1267286	Thermal insulation tube	断熱筒配管緩衝材	4P011309-3	1	Page 72
E76		1267325	Thermal insulation tube(drain outlet)	断熱筒 (ドレン入口管防露筒)	4P067126-1	1	Page 86
E77		1485921	Thermal insulation tube	熱交入口管防露筒	4P117089-1	1	Page 86
E79		0024640	Rubber bush	ゴムブッシュ	R3713279-3	5	Page 82
E80		1267356	Rubber bush	ゴムブッシュ	R3713279-4	1	Page 82
E82		1267370	Rubber bush	ゴムブッシュ	R3713279-2	3	Page 82
E83		1267387	U-packing	UP字形パッキン	NA40014-4-500	L=500 1	Page 82
E84	B	1605509	Heat shrinkable tube	熱収縮チューブ	4P151322-1	2	Page 83
E86	B	1497063	Hert contraction tube	熱収縮チューブ	4P125347-1	1	Page 82, 83
E87	B	1497070	Thermal insulation tape, no-dry	不乾性形断熱テープ	3SA90101-3-KA	3	Page 83
E88		1494925	LSV cover	液電磁弁カバー	4P093386-1	1	Page 83
E89		1270484	Mounting plate, solenoid valve	取付板	4P082208-1	1	Page 83
E91		1448388	Suction flange	吸入フランジシール材	4P083248-1	1	Page 82
E92		1381012	Protection rubber	保護ゴム	4PA43128-1	1	Page 83
E93		1381029	Thermal insulation tube	レヒートコイル出入口連絡配管防露筒	4P102857-1	2	Page 86
E94		1386985	Tube clamp, double tube heat exch	二重管熱交管止め金	4P103281-51	1	Page 84
E95		1386992	Tube clamp, double tube heat exch	二重管熱交管止め金	4P103281-56	2	Page 84
E96		1497087	WPS Protector	WPSプロテクタ	4P128449-1	1	Page 82
E97		1412156	Power cable cushion rubber	電源ケーブル緩衝ゴム	4P107260-1	1	Page 82
E98		1497094	Thermal insulation tube	吐出配管断熱筒	4P123501-1	1	Page 82
E99		1497102	Corrosion tape	吸入フランジ防食テープ	4P105751-1	2	Page 82
E100		1497119	Protection tube(1)	保護チューブ (1)	4P129656-1	1	Page 83
E101		1497126	Protection tube(2)	保護チューブ (2)	4P129656-2	1	
E102		1497133	Duct(inside outlet)	庫内吹出受皿	4P118097-1	1	Page 84
E103		1497140	Duct ass'y(inside suction)	ダクト組立品 (庫内吸込ミ)	3P121177-1	1	Page 84
E104		388339	Fixture	固定具	4PA11782-1	7	Page 82, 83
E105		1509548	Wire harness	ワイヤハーネス (アース)	4P131084-1	1	Page 72

NO. 符号	INDEX	PARTS NO. 部品番号	PARTS NAME	部品名称	DWG. NO. 図面番号	TYPE SPECIFICATION 形式 仕様	QTY/UNIT 1台当たりの 所要数	Refer to Page 参照ページ



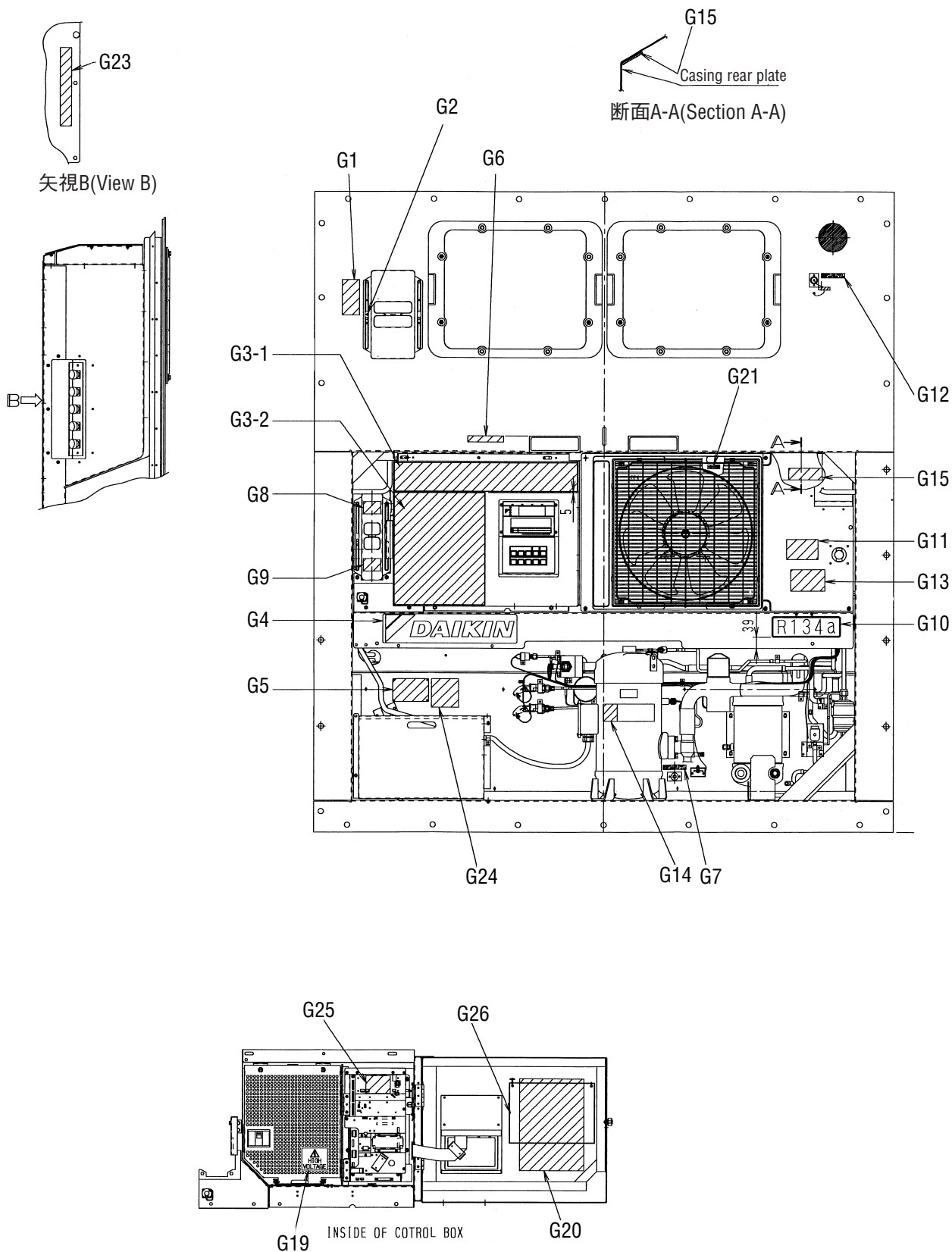


NO. 符号	INDEX	PARTS NO. 部品番号	PARTS NAME 部品名称	DWG. NO. 図面番号	TYPE SPECIFICATION 形式 仕様	QTY/UNIT 1台当たりの 所要数	REMARKS 備考
F3		1136407	Hinge(recorder/box cover)	平蝶番 (レコーダボックス蓋)	4P021346-1	2	
F4		1136414	Patch plate nut	当板ナット	4P044898-2	2	
F6		1497157	Control box welding ass'y	C. BOX溶接組立品	2P121582-1	1	
F7	C	1497164	Control box cover ass'y	コントロールボックス蓋組立品	2P121586-1	1	Refer to Page 106
F7-1		1136414	Patch plate nut	当板ナット	4P044898-2	2	
F7-2		1136407	Hinge(recorder/box cover)	平蝶番 (レコーダボックス蓋)	4P021346-1	2	
F7-3		0907093	Roller, quick lock lever	ワンタッチ金具用ローラ	4PA51277-1	1	
F7-4		1494367	Control box cover welding ass'y	コントロールボックス蓋溶接組立品	3P121102-1	1	
F7-5		1497171	Operation display cover	操作表示カバー	3P111696-1	1	
F7-6	A	1010815	Display board	表示基板	2P010368-2	1	
F7-7		1497188	Rubber gasket	ゴムガスケット (C. BOX蓋用パッキン)	4P111693-1	1	
F7-8		1497195	Spacer(1)	スペーサー (1)	4P111965-1	4	
F7-9		1497203	Spacer(2)	スペーサー (2)	4P111965-2	4	
F7-10		1063509	Switch	スイッチ	2P030937-1	1	
F7-11		1497210	Operation name plate	操作銘板 (モードキー)	2P085821-1	1	
F7-12		1267464	Indication label	表示銘板	2P072710-1	1	
F13		1136539	Clamp	クランプ金具	4P015574-2	1	
F17		1497227	Set plate(1)	機器取付板 (1)	2P122087-1	1	
F18		1497234	Cover	機器カバー	2P121587-1	1	
F19		1381098	Mounting plate, terminal board	端子台基板取付板	3P090389-1	1	
F20		1497241	PC port fixing plate	パソコンポート固定板	4P121588-1	1	
F22	A	1198931	Magnetic contactor(for Fans)	電磁接触器 (ファン用)	3P055568-1	24V PAK-6J31C	3
F23	A	1241493	Magnetic contactor(Phase correction contactor)	相順切換電磁接触器 (PCC)	3P071508-3	24V RSK-35J	1
F24	A	1198917	Magnetic contactor(Compressor)	電磁接触器 (圧縮機)	3P055566-1	24V PAK35J-S536	1
F25	C	1562796	Low frequency transformer	低周波変圧器	3P139293-1		1
F26	C	1381113	PC port connector	パソコンポートコネクタ	3P073218-1		1
F27	A	1381120	Earth leakage circuit breaker	漏電遮断器	3P093326-1		1
F28	C	1141144	Contact, receptacle	コンタクタ、レセプタクル用	3P010806-1	HD10	3
F29		1381137	PC port connector ass'y	パソコンポートカバー組立品	3P010743-2		1
F30	A	0991050	PT/CT board	PT/CTボード	2P017810-1		1
F31	A	1256116	Terminal strip board	端子台基板	2P078284-1		1
F31-1	A	0030652	Fuse, control	制御用ヒューズ	4SA42006-4	250V 10A	6
F32		1381144	Mounting plate thermal sensor	温度センサ取付板	4P010921-1		1
F33	A	0329679	Reverse phase protector	逆相保護装置 (RPP)	3SA42153-1	346-440V	1
F34	A	1573068	Controller ass'y	コントローラ組立品	3P124817-5		1
F34-1	A	1564716	CPU board ass'y	プリント基板組立品	2P124819-5		1
F34-2	A	0954594	I/O board ass'y	I/O ボード	2P010367-1		1
F34-3		1381151	Bottom plate(sheet metal)	コントローラ底板	2P098577-1		1
F34-4	B	1381168	Controller cover	蓋 (コントローラ)	2P099967-1		1
F34-5		1099940	Support bushing, PCB	プリント基板サポートブッシュ	MI49531-11		14

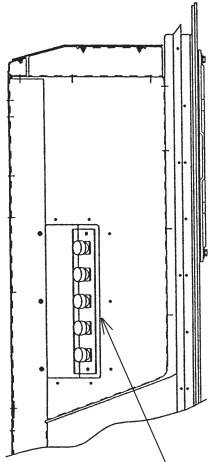
NO. 符号	INDEX	PARTS NO. 部品番号	PARTS NAME 部品名称	DWG. NO. 図面番号	TYPE SPECIFICATION 形式 仕様	QTY/UNIT 1台当たりの 所要数	REMARKS 備考
F34-6		1099957	Support color, PCB	プリント基板サポートカラー	MI49531-13	7	
F34-7		1267572	Rubber transistor	放熱用ゴムトランジスタ	4P005330-1	2	
F34-8	A	1250783	PC board for suction modulating valve	プリント基板組立品(吸入制御弁用)	3P065441-1	1	EC0058
F34-8-1	A	0030652	Fuse, control	制御用ヒューズ	4SA42006-4	1	250V 10A
F34-9		1267596	Locking wire saddle	ロッキングワイヤサドル	4P015570-2	3	LWS
F34-10		1267604	Flat cable clamp	フラットケーブルクランプスナップタイプ	4P015573-1	1	
F34-11		1136539	Clamp	クランプ金具	4P015574-2	1	
F34-12		1267611	Speed bolt	スピードボルト (M6)	4P048680-3	1	M6X20(S)
F34-13		860005	Washer, speed bolt	スピードボルト用座金	R4713334	2	
F34-14		840002	Drop out prevention washer	脱落防止座金	R4718607-6	2	
F35		1267628	Wire(wire ground)	電線 (電線グラウンド)	4P067662-1	1	
F36		1497258	Flexible tube(resin)	樹脂製フレキシブル管用コネクタ	4P010926-8	1	
F37		1635346	Flexible tube(resin)	樹脂製フレキシブル管用コネクタ	4P157387-1	2	
F38		1635353	Flexible tube(resin)	樹脂製フレキシブル管用コネクタ	4P157410-1	2	
F39		1267666	Quick fastener	クイックファスナー	4P064642-1	2	
F40		860015	Universal nut	自在ナット	R4713188-1	7	
F41		1497265	Flexible tube(resin)	樹脂製フレキシブル管	3P116378-1	1	
F42		833302	Nylon nut	ナイロンナット	R4716460-1	4	M4
F44		1099940	Support bushing, PCB	プリント基板サポートブッシュ	MI49531-11	7	
F45		1099957	Support color, PCB	プリント基板サポートカラー	MI49531-13	7	
F46		981616	Locking card spacer	ロッキングカードスペーサー	R3428091-3	4	KGLS-8S
F48		1497272	Control box left packing	C. BOX左パッキン	4P121593-1	2	
F49		1136539	Clamp	クランプ金具	4P015574-2	2	
F50		1267712	Clamp	クランプ金具	3P049495-1	1	
F57		1497289	Set plate, breaker PT/CT board	ブレーカ, PT/CTボード取付板	3P121594-1	1	
F58		1267781	Mounting plate, elect components	電装品取付板	4P064227-1	1	t=1.2
F59		1497296	Set plate(2), breaker PC/CT board	ブレーカ, PT/CTボード取付板台 (2)	3P116347-2	1	
F61		1295623	Fixtture(instruction ring)	固定具(インストラクションリング)	4P064698-1	1	Wire diameter
F62		1381175	Circuit board spacer	サーキットボードスペーサ	4P000347-1	4	
F63		1295630	Lever	ワンタッチ金具	4P085171-1	1	
F64		1295647	Fixing plate for lever	ワンタッチ金具取付板	4P085164-1	1	
F65		0907125	Sealed sheet	絶縁シート (ワンタッチ金具)	4PA52417-1	1	t0.075±0.01
F66		0907132	Sealed sheet	絶縁シート (ワンタッチ金具)	4PA52417-2	1	t0.075±0.01
F67		833301	Nylon nut	ナイロンナット	R4716460-3	3	M6
F68		1497304	Mounting plate, cover	機器カバー取付板 (右)	4P126884-2	1	
F69		1378441	Rivet	リベット	4P057425-2	4	
F70	A	1378162	Chargeble battery ass'y	充電器組立品	2P103790-1	1	
F70-1		1381182	Chargeble battery PCB ass'y	充電P板組立品	2P103790-1-KA	1	
F70-2		1381207	Chargeable battery	チャージャブルバッテリー	2P103790-1-KI	1	
F70-3		1381214	Battery holder	電池ホルダ	2P103790-1-KU	1	

NO. 符号	INDEX	PARTS NO. 部品番号	PARTS NAME	部品名称	DWG. NO. 図面番号	TYPE SPECIFICATION 形式 仕様	QTY/UNIT 1台当たりの 所要数	REMARKS 備考
F71		1497311	Mounting plate, cover left	機器カバー取付板 (左)	4P126884-1		1	
F72	A	0927770	Humidity sensor (HUS)	湿度センサー	3PA61738-1	RHU-600A-DI	1	
F73		1497328	Packing(1), PC port fixing plate	パソコンポート固定板パッキン(1)	4P121669-1		1	
F74		1497335	Packing(2), PC port fixing plate	パソコンポート固定板パッキン(2)	4P121669-2		1	
F75	A	1495346	Thermostat(metal type)	サーモ (メタル式)	R3320493-10		1	
F76		388339	Fixture	固定具	4PA11782-1		3	
F77		1177516	Rivet	リベット	4P057426-1		1	

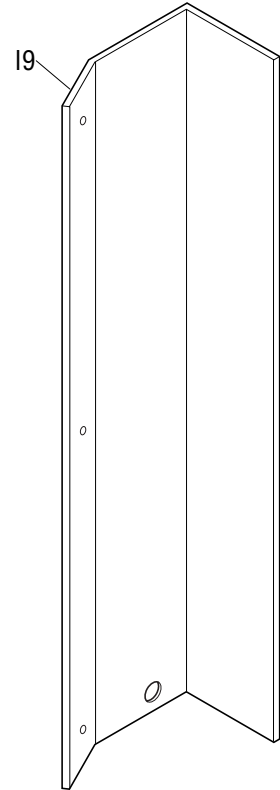
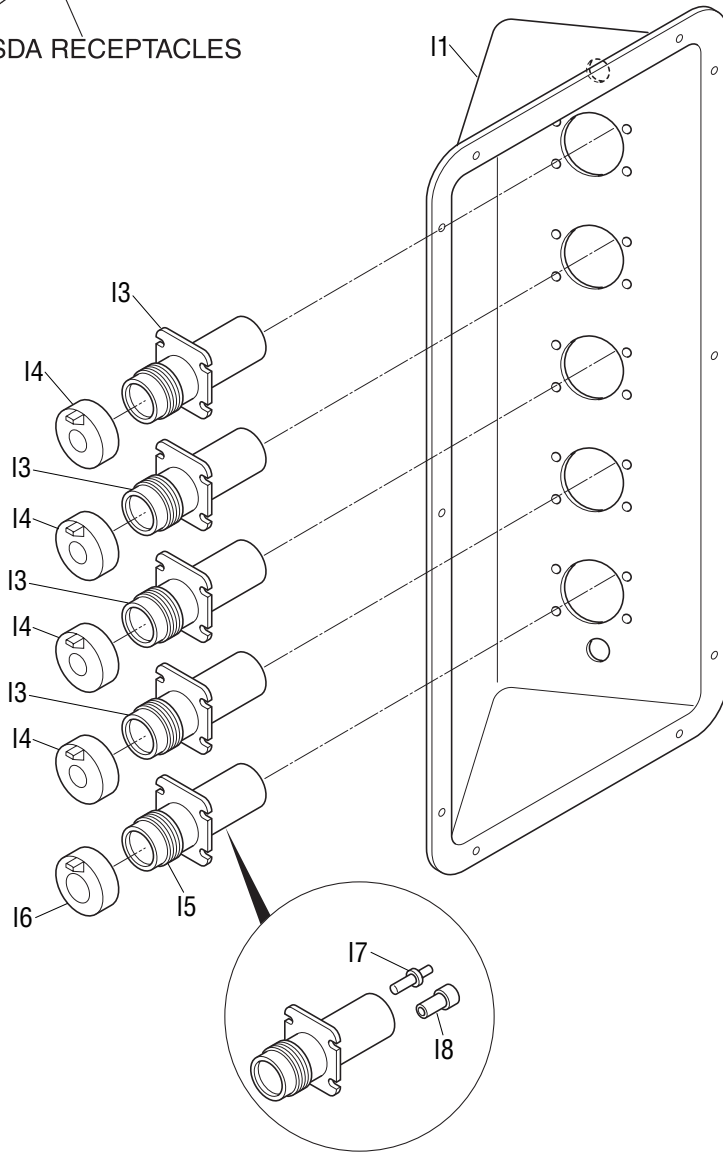
NO. 符号	INDEX	PARTS NO. 部品番号	PARTS NAME	部品名称	DWG. NO. 図面番号	TYPE SPECIFICATION 形式 仕様	QTY/UNIT 1台当たりの 所要数	REMARKS 備考

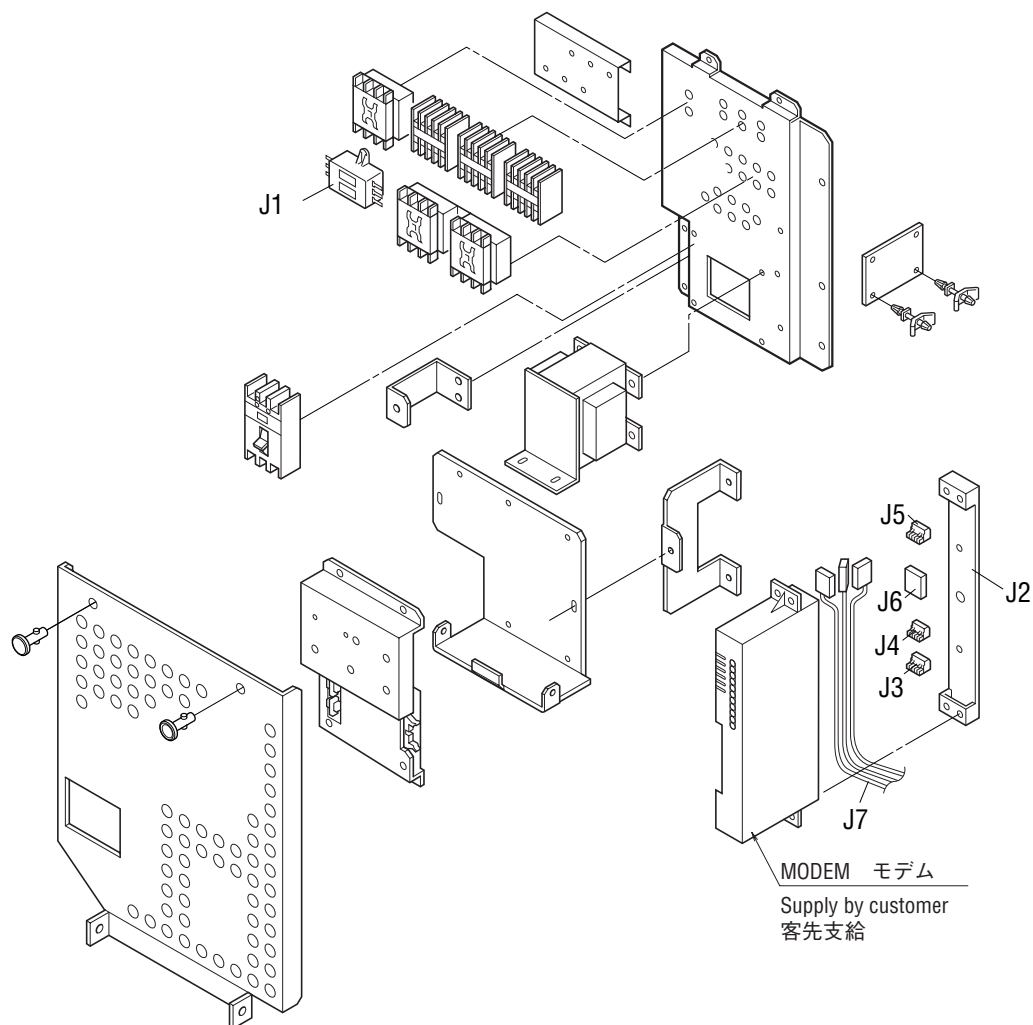


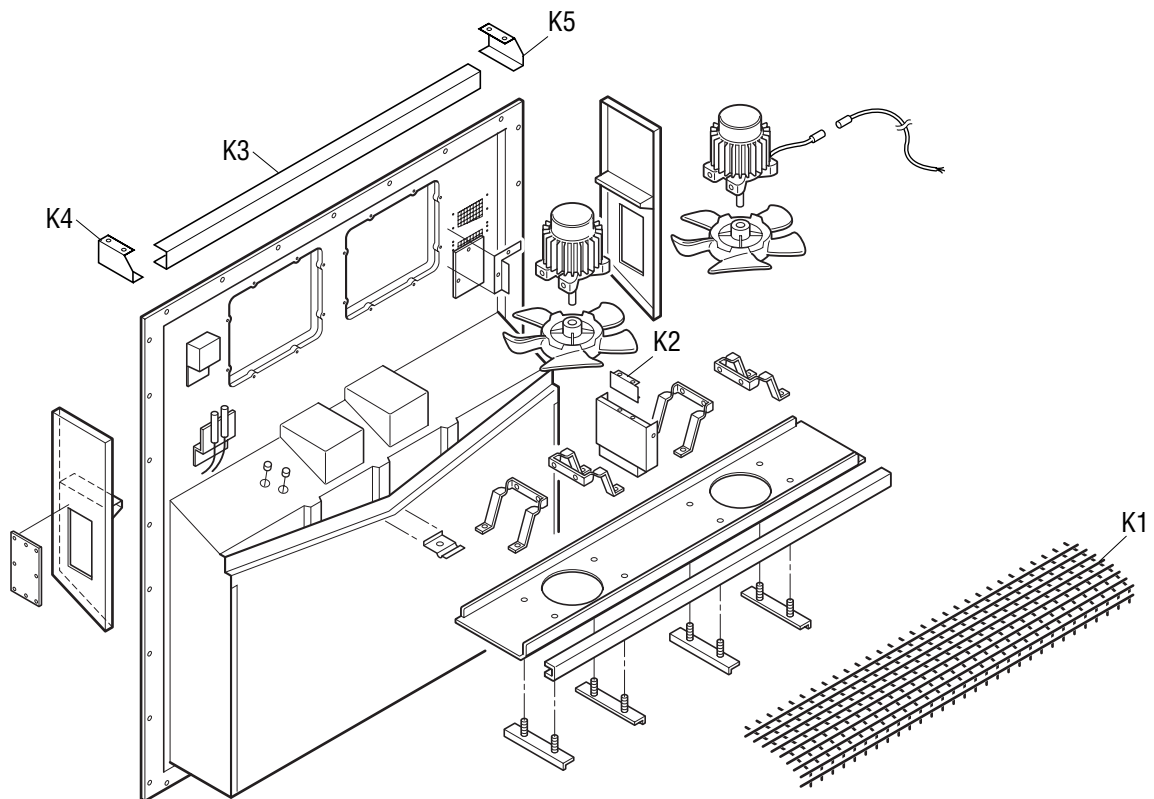
NO. 符号	INDEX	PARTS NO. 部品番号	PARTS NAME	部品名称	DWG. NO. 図面番号	TYPE SPECIFICATION 形式 仕様	QTY/UNIT 1台当たりの 所要数	REMARKS 備考
G1		1495113	Operation name plate, upper ventilator	上部換気口操作銘板	4P123087-1		1	
G2		1267952	Name plate, ventilator arrow	ベンチレータ矢印銘板	4P018502-1		1	
G3-1		1494538	Name plate, operation upper	操作銘板上 (英・スペイン)	3P128419-1		1	Refer to Page 106
G3-2		1494545	Name plate, operation lower	操作銘板下 (英・スペイン)	3P128420-1		1	Refer to Page 106
G4		1306530	Name plate, Brand name	意匠銘板	4P085985-1		1	Refer to Page 107
G5		1493852	Name plate, unit performance	機械銘板記載項目一覧表	3P066701-3		1	
G6		1495214	Caution label, reheat coil	レヒートコイル注意銘板	4P127562-1		1	
G7		1381423	Name plate, check point(return)	サーモチェックポイント(吹出側)	4P103582-2		1	
G8		1495120	Caution label, lower ventilator(English)	下部換気口注意銘板 (英語)	4P123593-1		1	Refer to Page 107
G9		1495238	Caution label, lower ventilator(Spanish)	下部換気口注意銘板(スペイン語)	4P128305-1		1	Refer to Page 107
G10		1178843	Name plate, refrigerant	冷媒銘板	3P009750-1		1	Refer to Page 107
G11		1495207	Caution label, refrigerant charge	冷媒充填注意銘板	4P127554-1		1	
G12		1381346	Name plate, check point(supply)	サーモチェックポイント(吸込側)	4P103582-1		1	
G13		1495199	Caution label, operation in water cool	運転注意銘板 (水冷時)	4P127148-1		1	
G14		1495168	Name plate, terminal position	端子位置指示銘板 (CEマーク)	4P126068-1		1	
G15		1605491	Name plate, solenoid valve location	電磁弁配置銘板 (P&O)	4P151256-1		1	
G19		1181267	Caution label, high voltage	高電圧注意銘板	4P010095-1	English	1	
G20		1497342	Name plate, wiring diagram	電気配線図銘板	2V001143-1		1	Refer to Page 106
G21		0345587	Name plate, arrow	矢印銘板	YA41011-1		1	
G23		1381391	Name plate, USDA	USDA銘板	3P074006-1		1	
G24		1381409	Caution label, refrigerant recovery	フロン回収・破壊法対応銘板(HFC用)	3P086874-1		1	
G25		1381416	Name plate, emergency	エマージェンシー銘板(吸入比例弁)	3P069655-1		1	
G26		1497359	Instruction card	インストラクションカード(エマージェンシー&サービサポート)	3P128421-1		1	



USDA RECEPTACLES



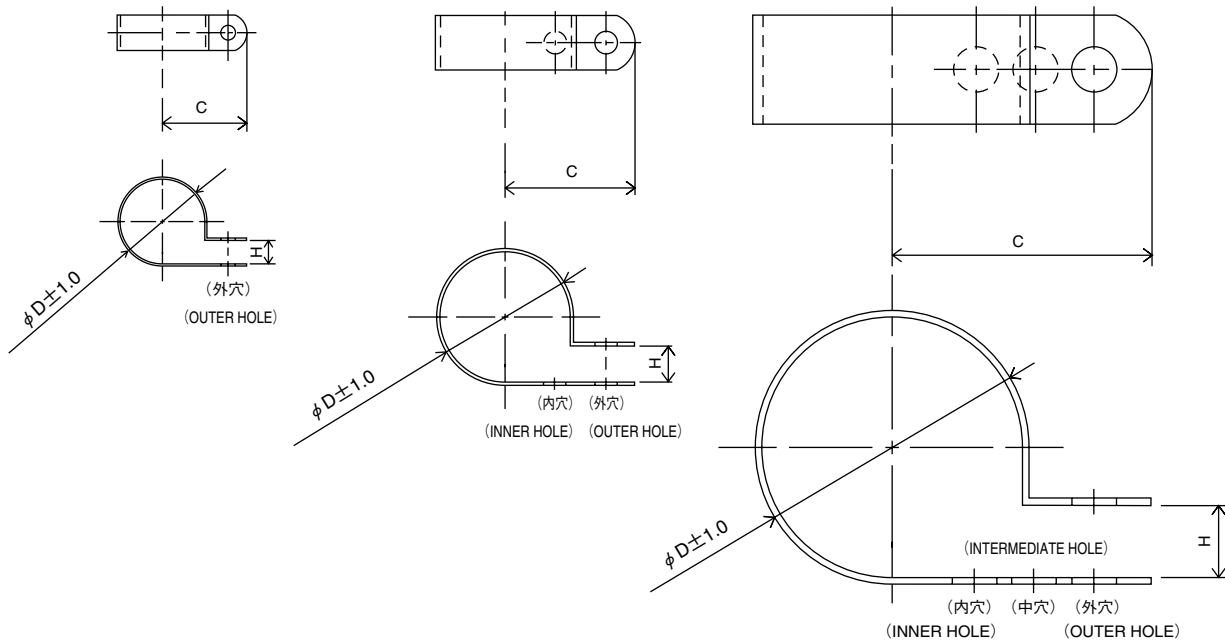




NO. 符号	INDEX	PARTS NO. 部品番号	PARTS NAME	部品名称	DWG. NO. 図面番号	TYPE SPECIFICATION 形式 仕様	QTY/UNIT 1台当たりの 所要数	REMARKS 備考
K1		1605299	Inside fan cover	庫内ファンカバー (P&ON)	3P150480-1		2	
K2		1605484	Fixture	固定具 (網・中央)	4P150653-1		1	
K3		1605307	Inside fan cover stay	庫内ファンカバーステー (P&ON)	3P150525-1		1	
K4		1381500	Fixture	固定具 (網／左)	3P098695-1		1	
K5		1381517	Fixture	固定具 (網／右)	3P098695-2		1	

1. Resin clamp

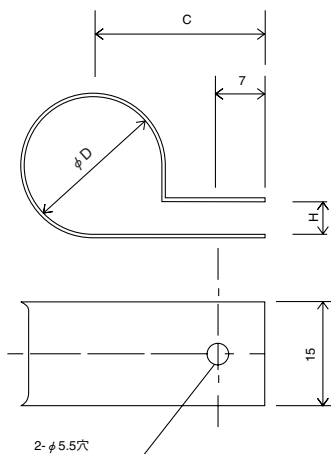
1. 樹脂バンド



NO. 符号	PARTS NO. 部品番号	PARTS NAME	部品名称	DWG NO. 図面番号	SIZE サイズ			QTY 使用個数
					D	C	H	
E10	1222764	Resin clamp	樹脂バンド	NE41015-9	26.9	27.8	7.9	1
E11	0944528	Resin clamp	樹脂バンド	NE41015-7	19.8	24.6	7.9	1
E12	0142492	Resin clamp	樹脂バンド	NE41015-10	29.2	29.4	7.9	3
E13	1266788	Resin clamp	樹脂バンド	NE41015-12	39.4	34.2	9.5	6
E14	0508162	Resin clamp	樹脂バンド	NE41015-3	8.4	16.7	4.8	1

2. Tube clamp

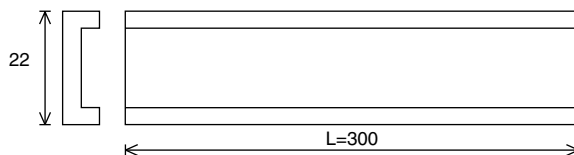
2. 管止金



NO. 符号	PARTS NO. 部品番号	PARTS NAME	部品名称	DWG NO. 図面番号	SIZE サイズ			QTY 使用個数
					D	C	H	
E6	1624199	Tube clamp	管止め金	4P159506-58	24	27	5	2
E15	1624207	Tube clamp	管止め金	4P159506-51	10	20	3	5
E16	1624214	Nylon coating tube clamp	ナイロンコーティング管止め金	4P159505-51	10	20	3	2
E17	1624221	Nylon coating tube clamp	ナイロンコーティング管止め金	4P159505-52	12	21	3	1
E18	1624238	Tube clamp	管止め金	4P159506-54	16	23	4	1
E19	1624245	Tube clamp	管止め金	4P159506-55	18	24	5	1
E20	1624269	Tube clamp	管止め金	4P159506-56	20	25	5	1
E22	1624276	Nylon coating tube clamp	ナイロンコーティング管止め金	4P159505-71	6.4	20	1	4
E29	1624283	Nylon coating tube clamp	ナイロンコーティング管止め金	4P159505-59	26	28	5	1

3. Cushion rubber for pipe clamp

3. 管止金用緩衝ゴム



NO. 符号	PARTS NO. 部品番号	PARTS NAME	部品名称	DWG NO. 図面番号	QTY 使用個数	REMARKS 備考
E35	1584253	Cushion rubber	管止金用緩衝ゴム	NE41013-3-300	1	Cut to suit pipe size. 配管サイズに合わせて切 って使用のこと

1. Parts recommended to be ordered together with packing, gasket, sealing material and name plate

1. 発注の際にパッキングやシール材、銘板等の同時発注を推奨する部品

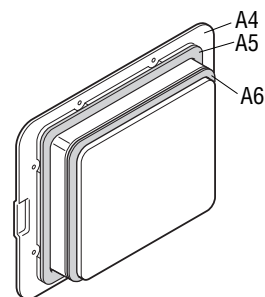
For ordering following spare parts, we recommend that you order the following packing, gasket, sealing material and name plate together at the same time.

上記のサービス扉やボックスカバーを発注の際には、下記のパッキングを同時に発注することをおすすめします。

(1) Service door

(1) サービス扉

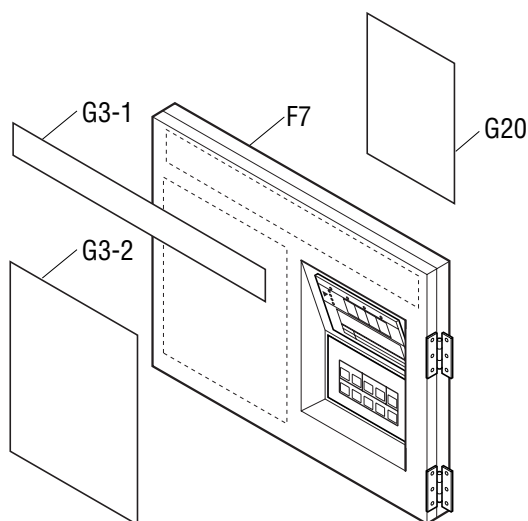
NO. 符号	PARTS NO. 部品番号	PARTS NAME	部品名称	DWG NO. 図面番号	QTY 使用個数	REMARKS 備考
A4	1612576	Access panel (FRP)	サービス扉組立品	1P006678-5	2	(Without cushion and sealing material) (クッション材、シール材なし)
A5	1266207	Cushion material (access panel)	クッション材 (サービス扉)	3P033608-1	2	
A6	1196113	Sealing material (access panel)	シール材 (サービス扉)	3P001640-2	2	



(2) Control box cover

(2) コントロールボックスカバー

NO. 符号	PARTS NO. 部品番号	PARTS NAME	部品名称	DWG NO. 図面番号	QTY 使用個数
F7	1497164	Control box cover ass'y	コントロールボックス蓋組立品	2P121586-1	1
G3-1	1494538	Operation name plate upper	操作銘板上 (英・スペイン)	3P128419-1	1
G3-2	1494545	Operation name plate lower	操作銘板下 (英・スペイン)	3P128420-1	1
G20	1497342	Electric wiring diagram label	電気配線図銘板	2V001143-1	1



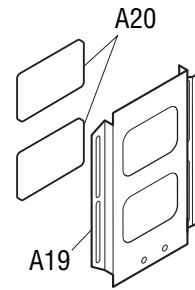
※Rubber gasket, sheet key is attached to control box cover ass'y.

※ゴムガスケットとシートキーはコントロールボックス組立品に付属しています。

(4) Ventilator cover (Upper)

(4) 換気口蓋 (上)

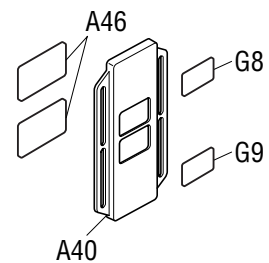
NO. 符号	PARTS NO. 部品番号	PARTS NAME	部品名称	DWG NO. 図面番号	QTY 使用個数	REMARKS 備考
A19	0981060	Ventilation cover	換気口蓋	3P003175-1	1	
A20	1266221	Sealing material (access panel)	シール材 (換気口)	4P016185-1	2	Required 2 pcs.



(5) Ventilator cover (Lower)

(5) 換気口蓋 (下)

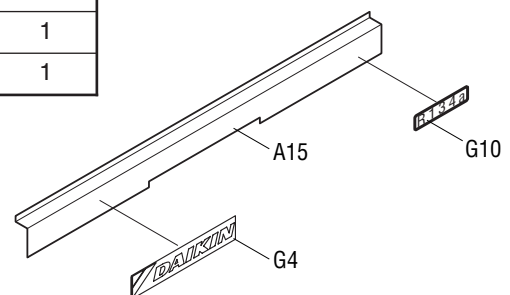
NO. 符号	PARTS NO. 部品番号	PARTS NAME	部品名称	DWG NO. 図面番号	QTY 使用個数	REMARKS 備考
A40	1494343	Ventilation cover	換気口カバー	3P119918-1	1	
A46	1495098	Sealing material	シール材 (換気口)	4P119920-1	2	Required 2 pcs.
G8	1495120	Ventilator name plate	下部換気口注 意銘板 (英語)	4P123593-1	1	
G9	1495238	Ventilator name plate	下部換気口注 意銘板 (スペイン語)	4P128305-1	1	



(6) Front plate (CA)

(6) 前板 (CA)

NO. 符号	PARTS NO. 部品番号	PARTS NAME	部品名称	DWG NO. 図面番号	QTY 使用個数
A15	1493698	Front plate(CA)	前板 (C A)	2P114670-1	1
G4	1306530	Brand name label	意匠銘板	4P085985-1	1
G10	1178843	Name plate, refrigerant	冷媒銘板	3P009750-1	1



2. Order for motorized valve, solenoid valve and pressure regulating valve

2. 電動弁・電磁弁・圧力調整弁の発注

Refer to the following table for the name, main body, solenoid coil and ass'y of solenoid valves etc. applied to this model.

この機種に使用されている電磁弁等の名称と本体・コイル・組立品は下記のとおりです。

	Body/Coil 本体/コイル	NO. 符号	PARTS NO. 部品番号	PARTS NAME	部品名称	DWG NO. 図面番号	QTY 使用個数	Common Parts 共通部品		
								NEV-803DXF	NEV-202DXF	NEV-MOAB507C1
1.EV	本体 Body	B7-3	1256495	Electronic expansion valve body	電子膨張弁本体	2SA50010-2-KU	1			
	コイル Coil	B20	1381430	Electronic expansion valve coil	電子膨張弁コイル	2P010454-2	1			
2.HSV	本体 Body	B7-4	0944566	Hot gas solenoid valve body	ホットガス電磁弁本体	R3305118-1	1	○		
	コイル Coil	B7-5	1266290	Hot gas solenoid valve coil	ホットガス電磁弁コイル	3P010453-2	1			○
3.DSV	本体 Body	B7-4	0944566	Defrost bypass solenoid valve body	デフロストバイパス電磁弁本体	R3305118-1	1	○		
	コイル Coil	B7-5	1266290	Defrost bypass solenoid valve coil	デフロストバイパス電磁弁コイル	3P010453-2	1			○
4.BSV	本体 Body	B7-4	0944566	Gas bypass solenoid valve body	ガスバイパス電磁弁本体	R3305118-1	1	○		
	コイル Coil	B7-5	1266290	Gas bypass solenoid valve coil	ガスバイパス電磁弁コイル	3P010453-2	1			○
5.RSV	本体 Body	B7-4	0944566	Reheat coil bypass solenoid valve body	レヒートコイルバイパス電磁弁本体	R3305118-1	1	○		
	コイル Coil	B7-5	1266290	Reheat coil bypass solenoid valve coil	レヒートコイルバイパス電磁弁コイル	3P010453-2	1			○
7.ESV	本体 Body	B7-8	0088738	Economizer solenoid valve body	エコノマイザー電磁弁本体	R3305099-1-KI	1		○	
	コイル Coil	B7-9	1266290	Economizer solenoid valve coil	エコノマイザー電磁弁コイル	3P010453-2	1			○
8.ISV	本体 Body	B7-8	0088738	Injection solenoid valve body	インジェクション電磁弁本体	R3305099-1-KI	1		○	
	コイル Coil	B7-9	1266290	Injection solenoid valve coil	インジェクション電磁弁コイル	3P010453-2	1			○
9.LSV	本体 Body	B4-5	0944566	Liquid solenoid valve body	液電磁弁本体	R3305118-1	1	○		
	コイル Coil	B4-6	0955287	Liquid solenoid valve coil	液電磁弁コイル	3P010453-1	1			○
10.SMV	組立品 Ass'y	B8-1	1254538	Suction modulating Valve	吸入比例弁組立品	2P078385-1	1	Note 1 注 1		
11.DPR	組立品 Ass'y	B3-4	1241361	Discharge pressure regulating valve	吐出圧力調整弁	3P074558-1	1			
12.TEV	組立品 Ass'y	B7-11	1497931	Thermostatic expansion valve	温度式膨張弁	3SA50065-1	1			

Note 1 : Refer Page 72,73 and 74 for detail parts of suction modulating valve.

注 1 : SMV (吸入比例弁) の詳細部品はP.72、73、74を参照ください。

Note 2 : Difference of solenoid valve No.1266290 and 0955287.

No.1266290 (3P010453-2) : Lead wire length 1550mm

No.0955287 (3P010453-1) : Lead wire length 2000mm

注 2 : 電磁弁No.1266290とNo.0955287の違い。

No.1266290 (3P010453-2) : リード線長さ1550mm

No.0955287 (3P010453-1) : リード線長さ2000mm

3. Order for pressure trasducer

3. 圧力センサーの発注

Refer to the following table for the pressure transducer applied to this model.

For ordering pressure transducer, we recommend that you order the following best shrinkable tube together at the same time.

この機種に使用している圧力センサーは下記の通りです。

圧力センサー発注の際は、下記の熱収縮チューブを同時に発注することをおすすめします。

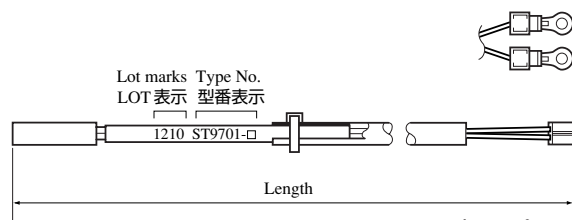
呼称名	NO. 符号	PARTS NO. 部品番号	PARTS NAME	部品名称	DWG NO. 図面番号	TYPE 形式	QTY 使用個数	REMARKS 備考
HPT	B16	1587959	High pressure transducer (HPT)	高圧圧力センサ (H P T)	3P141602-1	NSK-BCO 30F-070	1	
LPT	B15	1587942	Low pressure transducer (LPT)	低圧圧力センサ (L P T)	3P141601-1	NSK-BCO 10F-070	1	
	E84	1605509	Heat shrinkable tube	圧力センサ熱収縮チューブ	4P151322-1		2	Must be applied when replacing above sensors. 上記圧力センサー交換時使用の事。

4. Order for temperature sensor

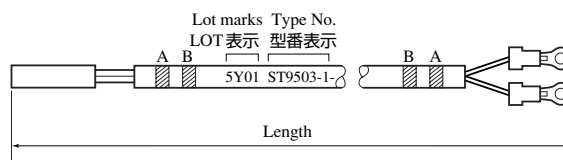
4. 温度センサーの発注

Refer to the following table for temperature sensors applied to this model.

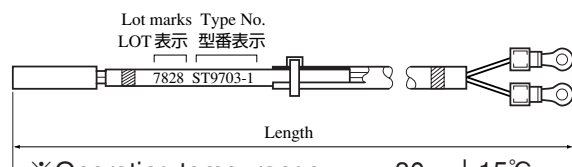
この機種に使用されている温度センサーは下記の通りです。



※Operating temp. range -30~+150℃
使用温度範囲 -30~+150℃



※Operating temp. range -30~+70℃
使用温度範囲 -30~+70℃



※Operating temp. range -30~+15℃
使用温度範囲 -30~+15℃

※1 Location 取付場所

Indoor A : Indoor supply air side

Indoor B : Indoor return air side

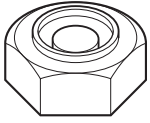
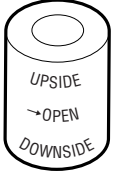
庫内A : 庫内吹出空気側

庫内B : 庫内吸込空気側

呼称	NO. 符号	PARTS NO. 部品番号	PARTS NAME 部品名称	DWG. NO. 図番	TYPE 形式	WIRE COLOR 配線色		LENGTH 全長mm	※1 LOCATION 取付場所	TEMPORALY EXCHANGABILITY 緊急時互換性
						A	B			
1. SS	C24	1375310	Supply air temp. sensor 吹出空気温度センサー	3PA61769-11	ST9503-11	green 緑	- -	4700	Indoor A 庫内A	○
2. DSS	C25	1375327	Data recorder supply air temp. sensor データレコーダ吹出空気温度センサー	3PA61769-12	ST9503-12	green 緑	Red 赤	4700	Indoor A 庫内A	○
3. RS	C26	1375334	Return air temp. sensor 吸込空気温度センサー	3PA61769-13	ST9503-13	Blue 青	- -	6700	Indoor B 庫内B	○
4. DRS	C27	1375341	Data recorder return air temp. sensor データレコーダ吸込空気温度センサー	3PA61769-14	ST9503-14	Blue 青	Red 赤	6700	Indoor B 庫内B	○
5. EIS	D4	1562828	Evaporator inlet temp. sensor 蒸発器入口温度センサー	3P012118-2	ST9703-2	Brown 茶	- -	3200	Indoor EVP. 庫内蒸発器	
6. EOS	D5	1562835	Evaporator outlet temp. sensor 蒸発器出口温度センサー	3PA61769-15	ST9503-15	Yellow 黄	- -	3200	Indoor EVP. 庫内蒸発器	○
7. DCHS	B11	0983321	Discharge pipe temp. sensor 吐出管温度センサー	3SA48009-10	ST9701-10	-	-	2800	Outdoor 庫外	
8. AMBS	B12	0798321	Ambient air temp. sensor 外気温度センサー	3PA61769-6	ST9503-6	- -	- -	2900	Outdoor 庫外	○
9. SGS	B13	0983338	Compressor suction gas temp. sensor 圧縮機吸入ガス温度センサー	3PA61769-9	ST9503-9	White 白	- -	2900	Outdoor 庫外	○

1. Tools for emergency operation

1. 緊急運転用工具

NO. 符号	PARTS NO. 部品番号	PARTS NAME	部品名称	DWG NO. 図面番号	USE 用途	ILLUSTRATION 姿図
-	1080263	Emergency coil cap	エマージェンシー コイルキャップ	3P017370-1	For electronic expansion valve 電子膨張弁用	
-	1270530	Emergency magnet	エマージェンシー マグネット	2P078385-2	Suction modulating valve 吸入比例弁用	

(See Service Manual for application.)

(使用方法はサービスマニュアルを参照ください。)

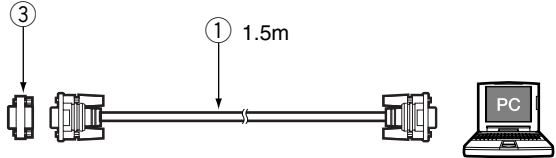
2. Personal computer cable (for DCCS)

2. パソコンケーブル（DCCS用）

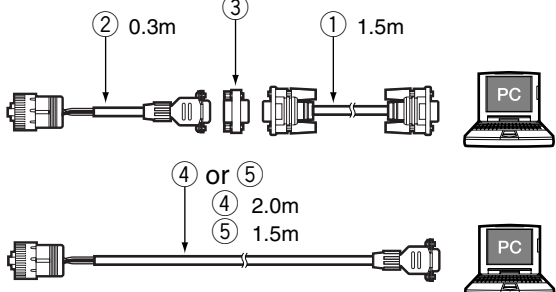
The following parts are connector cables required to exchange information between the refrigeration unit and personal computer. The table below describes parts required to apply to Model LXE-C, -D, and -E new model.

下記の部品は冷凍ユニットとパソコンの情報交換に必要なコネクタ、ケーブル類です。LXE-C型、D型、及び新機種E型対応に必要な部品を掲載しています。

[TYPE A]タイプA

LXE10C LXE10CA LXE10D for MOL	LXE10C LXE10CA MOL用LXE10D	
(Receptacle) RS232C (Female) on the controller	(レセプタクル) RS232C (メス) コントローラー側	

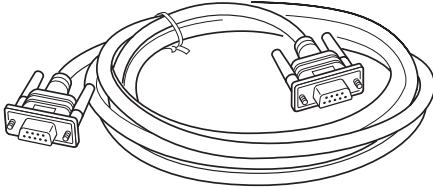
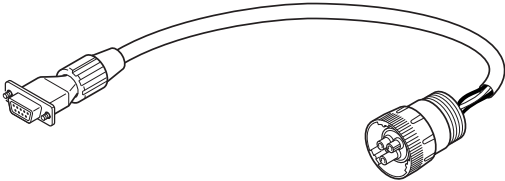
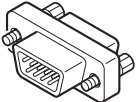
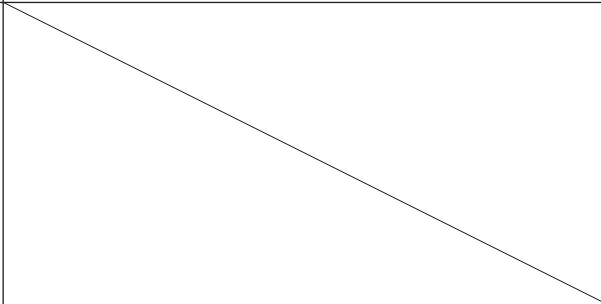
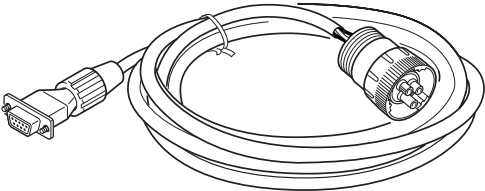
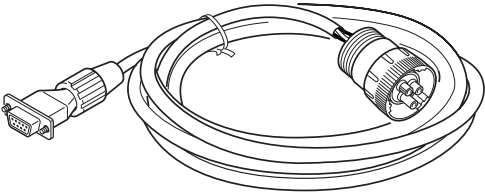
[TYPE B]タイプB

LXE10D LXE10E	LXE10D LXE10E	
(Receptacle) Water proof type on the unit	(レセプタクル) コンテナ冷凍機 ユニットの防水型	

(1) Parts No.

(1) 部品番号

NO. 符号	PARTS NO. 部品番号	PARTS NAME	部品名称	REMARKS 備考
①	Local supply 市販品	Connection cable (reverse)	接続ケーブル (リバース)	RS232C reverse (cross) type RS232Cリバース (クロス) 型
②	9993324	Connection cable	接続ケーブル	
③	Local supply 市販品	Adapter (gender changer)	アダプター (ジェンダーチェンジャー)	D-sub 9P, Male-Male Dサブ9ピン、オス-オス
④	1087149	Connection cable (3 Pins)	接続ケーブル (3ピン)	LXE10E-A Standard LXE10E-A標準
⑤	1384509	Connection cable (5 Pins)	接続ケーブル (5ピン)	For LXE10E-1, LXE10E-A14,A15 LXE10E-1、 LXE10E-A14、A15用

NO. 符号	Illustration 姿図	Internal Wiring 内部配線																														
①		<p>RS232C Female RS232C Female</p> <p>メス メス</p> <table border="0"> <tr><td>1</td><td>↔</td><td>1</td></tr> <tr><td>2</td><td>↔</td><td>2</td></tr> <tr><td>3</td><td>↔</td><td>3</td></tr> <tr><td>4</td><td>↔</td><td>4</td></tr> <tr><td>5</td><td>↔</td><td>5</td></tr> <tr><td>6</td><td>↔</td><td>6</td></tr> <tr><td>7</td><td>↔</td><td>7</td></tr> <tr><td>8</td><td>↔</td><td>8</td></tr> <tr><td>Frame</td><td></td><td>Frame</td></tr> <tr><td>フレーム</td><td></td><td>フレーム</td></tr> </table>	1	↔	1	2	↔	2	3	↔	3	4	↔	4	5	↔	5	6	↔	6	7	↔	7	8	↔	8	Frame		Frame	フレーム		フレーム
1	↔	1																														
2	↔	2																														
3	↔	3																														
4	↔	4																														
5	↔	5																														
6	↔	6																														
7	↔	7																														
8	↔	8																														
Frame		Frame																														
フレーム		フレーム																														
②		<p>Daikin made RS232C Female</p> <p>ダイキン製 メス</p> <table border="0"> <tr><td>A</td><td>Red</td><td>1</td></tr> <tr><td>B</td><td>White</td><td>2</td></tr> <tr><td>C</td><td>Black</td><td>3</td></tr> <tr><td></td><td></td><td>4</td></tr> <tr><td></td><td></td><td>5</td></tr> <tr><td></td><td></td><td>6</td></tr> <tr><td></td><td></td><td>7</td></tr> <tr><td></td><td></td><td>8</td></tr> <tr><td></td><td></td><td>9</td></tr> </table>	A	Red	1	B	White	2	C	Black	3			4			5			6			7			8			9			
A	Red	1																														
B	White	2																														
C	Black	3																														
		4																														
		5																														
		6																														
		7																														
		8																														
		9																														
③																																
④		<p>Daikin made RS232C Female</p> <p>ダイキン製 メス</p> <table border="0"> <tr><td>A</td><td>Red 赤</td><td>1</td></tr> <tr><td>B</td><td></td><td>2</td></tr> <tr><td>C</td><td>White 白</td><td>3</td></tr> <tr><td></td><td></td><td>4</td></tr> <tr><td></td><td>Black 黒</td><td>5</td></tr> <tr><td></td><td></td><td>6</td></tr> <tr><td></td><td></td><td>7</td></tr> <tr><td></td><td></td><td>8</td></tr> <tr><td></td><td></td><td>Frame</td></tr> <tr><td></td><td></td><td>フレーム</td></tr> </table>	A	Red 赤	1	B		2	C	White 白	3			4		Black 黒	5			6			7			8			Frame			フレーム
A	Red 赤	1																														
B		2																														
C	White 白	3																														
		4																														
	Black 黒	5																														
		6																														
		7																														
		8																														
		Frame																														
		フレーム																														
⑤		<p>Daikin made RS232C Female</p> <p>ダイキン製 メス</p> <table border="0"> <tr><td>A</td><td>Red 赤</td><td>1</td></tr> <tr><td>B</td><td></td><td>2</td></tr> <tr><td>C</td><td>White 白</td><td>3</td></tr> <tr><td>D</td><td></td><td>4</td></tr> <tr><td>E</td><td>Black 黒</td><td>5</td></tr> <tr><td></td><td></td><td>6</td></tr> <tr><td></td><td></td><td>7</td></tr> <tr><td></td><td></td><td>8</td></tr> <tr><td></td><td></td><td>Frame</td></tr> <tr><td></td><td></td><td>フレーム</td></tr> </table>	A	Red 赤	1	B		2	C	White 白	3	D		4	E	Black 黒	5			6			7			8			Frame			フレーム
A	Red 赤	1																														
B		2																														
C	White 白	3																														
D		4																														
E	Black 黒	5																														
		6																														
		7																														
		8																														
		Frame																														
		フレーム																														

PARTS NO. 部品番号	REFER PAGE 参照ページ	PARTS NO. 部品番号	REFER PAGE 参照ページ	PARTS NO. 部品番号	REFER PAGE 参照ページ	PARTS NO. 部品番号	REFER PAGE 参照ページ
0024640	88	1099957	93	1266694	87	1295623	93
0030652	92, 93	1135125	77	1266764	87	1295630	93
0080347	73	1135978	77	1266771	87	1295647	93
0085296	73	1136407	92	1266788	70, 87	1306530	97
0088738	74	1136414	92	1266896	87	1326705	69
0132192	74	1136539	92, 93	1266935	87	1326851	87
0142492	87	1141144	92, 99	1266942	87	1369663	69
0275145	69	1175914	73	1267008	87	1375310	77
0299134	73	1175921	73	1267060	87	1375327	77
0329679	92	1177516	94	1267077	70, 87	1375334	77
0345587	97	1178843	97	1267084	69	1375341	77
0395032	74	1178850	73	1267091	77, 87	1378162	93
0423968	74	1178867	73	1267154	81, 87	1378441	93
0468839	101	1178920	73	1267161	87	1380730	77
0508162	77, 87	1178937	73	1267286	78, 88	1380848	77
0619480	74	1181267	97	1267293	81, 87	1380862	77
0622107	74	1196113	69	1267325	88	1380918	81
0684220	73	1198917	92	1267356	88	1380925	81
0777519	77	1198931	92	1267370	88	1380932	81
0798321	74	1199167	73	1267387	88	1380949	81
0907093	92	1199415	73	1267464	92	1381012	88
0907125	93	1222764	87	1267541	99	1381029	88
0907132	93	1225996	81	1267572	93	1381036	87
0927770	94	1241361	73	1267596	93	1381098	92
0944528	87	1241378	74	1267604	93	1381113	92, 99
0944566	73	1241493	92	1267611	93	1381120	92
0954594	92	1250783	93	1267628	93	1381137	92, 99
0954640	101	1254538	74	1267666	93	1381144	92
0954936	69	1256116	92	1267712	93	1381151	92
0955287	73	1256495	73	1267736	101	1381168	92
0964166	74	1266137	69	1267743	101	1381175	93
0980618	69	1266199	69	1267750	101	1381182	93
0981060	69	1266207	69	1267781	93	1381207	93
0983321	74	1266221	69	1267952	97	1381214	93
0983338	74	1266238	69	1270376	74	1381221	99
0991050	92	1266245	69	1270390	74	1381346	97
0991531	99	1266290	74	1270408	74	1381391	97
1010815	92	1266308	81	1270415	74	1381409	97
1063509	92	1266485	77	1270446	87	1381416	97
1099940	92, 93	1266524	77	1270484	88	1381423	97

PARTS NO. 部品番号	REFER PAGE 参照ページ	PARTS NO. 部品番号	REFER PAGE 参照ページ	PARTS NO. 部品番号	REFER PAGE 参照ページ	PARTS NO. 部品番号	REFER PAGE 参照ページ
1381430	74	1495207	97	1497272	93	1605237	77
1381500	103	1495214	97	1497289	93	1605244	77
1381517	103	1495238	97	1497296	93	1605299	103
1386930	69	1495245	88	1497304	93	1605307	103
1386947	87	1495346	94	1497311	94	1605422	87
1386954	87	1496813	69	1497328	94	1605453	74
1386985	88	1496820	69	1497335	94	1605466	77
1386992	88	1496837	69	1497342	97	1605477	87
1410958	77	1496844	69	1497359	97	1605484	103
1412156	88	1496851	69	1497816	73	1605491	97
1424957	73	1496875	69	1497823	74	1605509	88
1448371	88	1496882	69	1497830	73	1612576	69
1448388	88	1496899	69	1497847	74	1622434	77
1448410	101	1496907	73	1497854	73	1622441	77
1448612	69	1496914	74	1497861	74	1622458	77
1485921	88	1496976	77	1497924	69	1622465	77
1490846	73	1496983	77	1497931	74	1622472	77
1493542	74	1496990	77	1497955	101	1622489	77
1493698	69	1497049	88	1498035	73	1622580	99
1493744	73	1497063	88	1505748	73	1622597	99
1493852	97	1497070	88	1508127	73	1624098	69
1494134	77	1497087	88	1508141	73	1624106	69
1494329	69	1497094	88	1508204	74	1624113	74
1494343	69	1497102	88	1508211	81	1624120	73
1494367	92	1497119	88	1509548	74, 88	1624137	73
1494413	69	1497126	88	1549762	81	1624144	77
1494521	69	1497133	88	1549971	81	1624151	77
1494538	97	1497140	88	1549988	81	1624168	77
1494545	97	1497157	92	1562796	92	1624290	87
1494639	73	1497164	92	1562828	81	1624308	87
1494646	74	1497171	92	1562835	81	1631452	69
1494925	88	1497188	92	1564716	92	1631849	77
1495074	70	1497195	92	1565199	77	1631856	77
1495081	70	1497203	92	1573068	92	1631995	77
1495098	69	1497210	92	1581805	81	1632006	77
1495106	88	1497227	92	1584253	87	1632183	87
1495113	97	1497234	92	1587942	74	1635346	93
1495120	97	1497241	92	1587959	74	1635353	93
1495168	97	1497258	93	1588349	69	1656297	81
1495199	97	1497265	93	1588356	69	1656305	81

PARTS NO. 部品番号	REFER PAGE 参照ページ	PARTS NO. 部品番号	REFER PAGE 参照ページ	PARTS NO. 部品番号	REFER PAGE 参照ページ	PARTS NO. 部品番号	REFER PAGE 参照ページ
1656312	81						
1656329	87						
1656336	87						
1656343	87						
1656350	87						
1656367	87						
1656374	87						
1656381	87						
1656398	87						
1656420	88						
258215	73						
388339	88, 94						
537320	69, 74, 81, 87						
698506	87						
833011	69						
833301	93						
833302	93						
840002	77, 93						
844012S	69						
860005	77, 93						
860015	77, 93						
860030S	77						
981616	93						

<https://daikin-p.ru>

ダイキン工業株式会社
DAIKIN INDUSTRIES, LTD.

本 社 大阪市北区中崎西2丁目4番12号 梅田センタービル
郵便番号 530-8323 電話 大阪 (06) 6373-1201 (大 代 表)
東京支社 東京都港区港南2-18-1 JR品川イーストビル10階
郵便番号 108-0075 電話 東京 (03) 6716-0420

Head Office. Umeda Center Bldg., 4-12, Nakazaki-Nishi 2-chome, Kita-ku, Osaka, 530-8323 Japan.

Tel: 06-6373-4338

Fax: 03-6373-7297

Tokyo Office. JR Shinagawa East Bldg., 10F 18-1, Konan 2-chome, Minato-ku Tokyo, 108-0075 Japan.

Tel: 03-6716-0420

Fax: 03-6716-0230