

DAIKIN



Marine type Container Refrigeration Unit

船用集装箱制冷机组

Service Manual · Parts List

维修操作手册 · 零部件表

Optional Functions · 选购件功能编

LXE10E-A15BR

LXE10E-A15C

LXE10E-A15D

DAIKIN INDUSTRIES, LTD.

大金工业株式会社

TR05-14A

DRAFT

Covered Models

Regarding the features, operation and after servicing, please refer to the service manual(TR02-14).

记载机型

关于本装置的特点，使用以及售后服务等内容，请参阅维护说明书 TR03-01。

Modified Unit LXE10E-A15BR

"LXE10E-A15B" is described on the nameplate as the model name of this modified unit, to which "R" is not attached.

Please discriminate the applicable unit according to the Mfg. No. shown below.

Mfg. No. : A900001 to A900150

This modification relates to the nameplate.

For details, please refer to information on page 36 and 37 of the Part List in this manual.

改进型装置 LXE10E-A15BR

“LXE10E-A15B”作为此改进型装置的型号被标记在铭牌上，型号中未附带字母“R”。
请根据以下制造商编号区分适用的装置：

序列号：A900001 ~ A900150

上述修改与铭牌有关。

详情请参阅本说明书“零件表”第36，37页的内容。

<https://daikin-p.ru>

CONTENTS

1. Transducer	4
2. Initial setting table into spare controller	5
3. Refrigerant piping diagram	6
4. Schematic wiring diagram	7
5. Stereoscopic wiring diagram	8

目 次

1. 传感器	9
2. 备用控制器的初始设定表	10
3. 系统管路图	11
4. 配线示意图	13
5. 配线立体图	14

1. Transducer

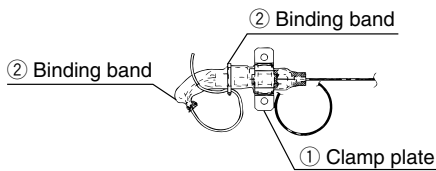
1.1 Low pressure transducer (LPT)

Model	LXE10E-A15BR,A15C,A15D	
Transducer type	NSK-BC010F	
Identification color	Transducer	Black body
	Connector	Nothing

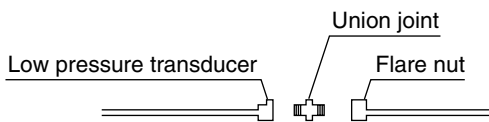
The LPT is located in the refrigerant circuit. The operating low pressure value is displayed on the controller indication panel.

(1) Replacing the transducer

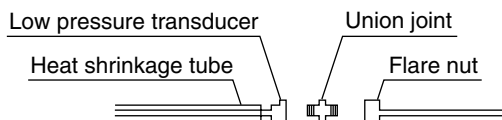
- ① Disconnect the lead wire from the control box.
- ② In order to prevent refrigerant from flowing out, disconnect the low-pressure transducer piping from the gauge joint (with check valve) on the compressor side.
- ③ Remove two screws on the clamp plate fixing low pressure transducer in place, and cut the binding bands.




- ④ Remove the heat shrinkage tube, and disconnect the connector from the low pressure transducer.



- ⑤ Insert the pressure transducer cable through the heat shrinkage tube, and connect the union joint and connector to the new low pressure transducer. If paint on the low pressure transducer is peeled off, apply clear lacquer.

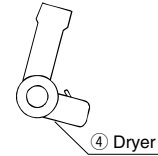
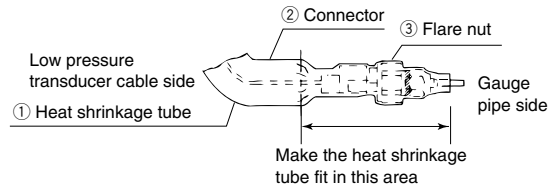




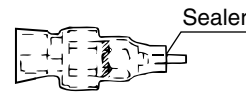
CAUTION

Do not expose the low pressure transducer to hot air of a dryer for excess time.
Otherwise, the transducer may be damaged.

- ⑥ Apply the heat shrinkage tube in the following position, then shrink it with hot air of a dryer.

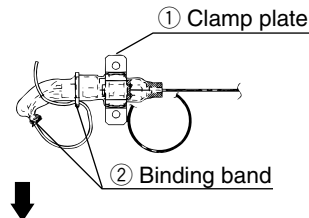


- ⑦ Apply sealer between the heat shrinkage tube and the flare nut. (Sealer :KE4898)



- ⑧ Fix the low pressure transducer with the clamp plate, and fix the cable with the binding band.

Fix the shrinkage tube end of the cable side downward for prevention of water entering into the tube.



Fix the tube directing the end downward

1.2 High pressure transducer (HPT)

Model	LXE10E-A15BR,A15C,A15D	
Transducer type	NSK-BC030F	
Identification color	Transducer	Red & Brown body
	Connector	Nothing

The HPT is located in the refrigerant circuit. The operating high pressure value is displayed on the controller indication panel.

(1) Replacement procedure

The replacement procedure is the same as that for the low pressure transducer. Make sure that the fixing position and the cable connection is correct.

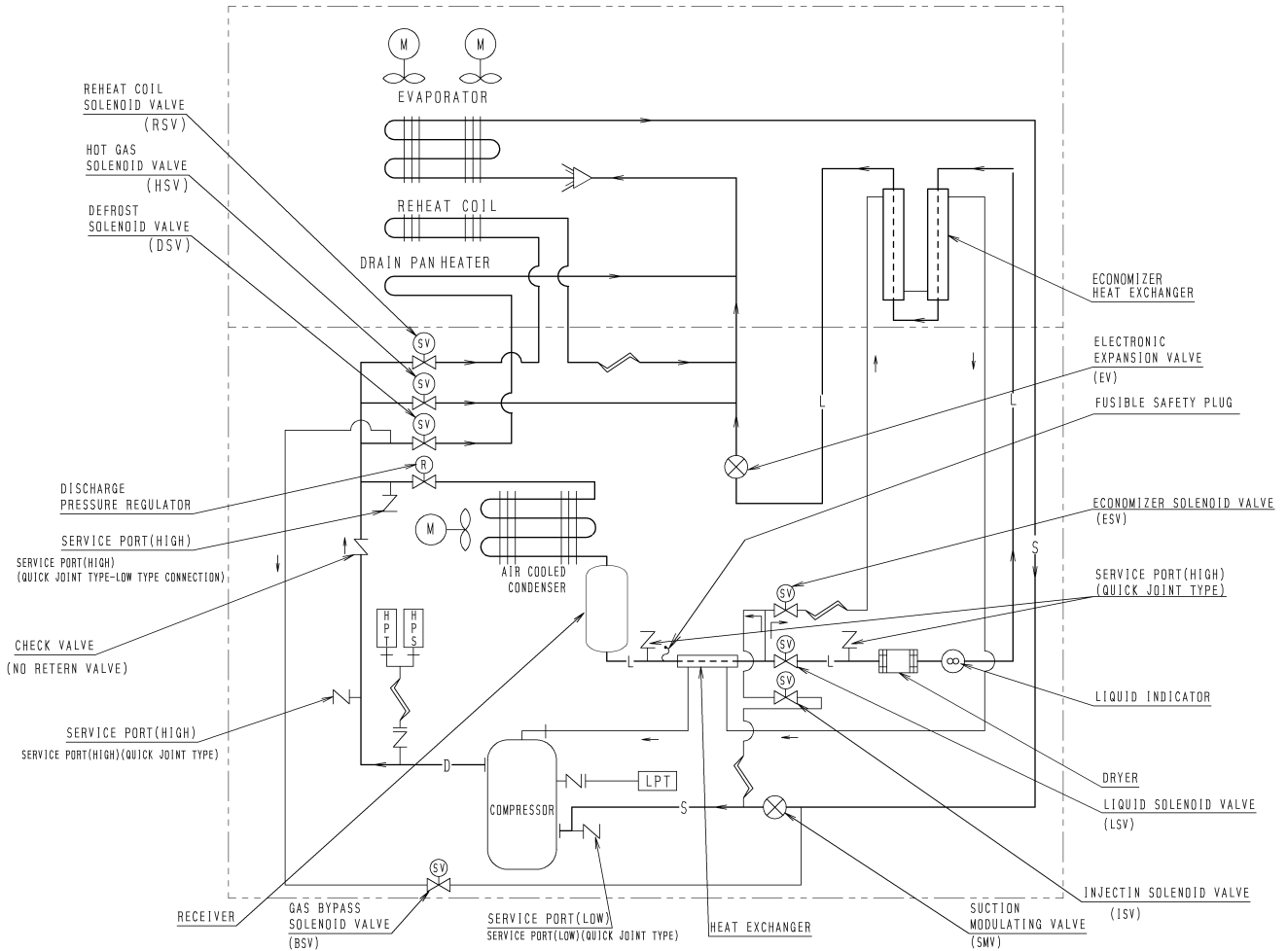
2. Initial setting table into spare controller

MODEL NAME Note 1	※7. Optional function setting mode				※8. Basic function mode										※9. Optional Condition setting mode										※10. Input Data			
	USdA	dHu	DECOS-3	LOG INT	REC SEN	OC-SET	HP	dISP	COMP	REHEAT	FA SEN	CHARTLS	USdA1/2	H001	H002	H003	H004	H005	H006	D1--	D2--	D3--	D-1-	D-2-	C/F	SET Id	SET TIME	
LXE10E	USdA sensor	Dehumidification control	Controller setting	Logging interval	Data recorder sensor	Input power	Hose power	Panel lighting OFF	Comp./Unload setting	Reheat coil setting		D/H code alarm indication	USdA sensor type	H code			D code			Temp. indication			Container I.D.		Container I.D.	Controller set time		
-A15BR	OFF	OFF	D	60	ON	Single	10	OFF	100	ON	OFF	ON	2	3	2	2	2	3	3	1	1	1	1	1	1	C	*	GMT
-A15C	↑	↑	↑	↑	↑	↑	↑	↑	↑	↑	↑	↑	↑	↑	↑	↑	↑	↑	↑	↑	↑	↑	↑	↑	↑	↑	↑	↑
-A15D	blank	blank	blank	blank	blank	blank	blank	blank	blank	blank	blank	blank	1	3	2	2	2	3	3	1	1	1	1	1	1	C	blank	01/1/1
Spare controller	blank	blank	blank	blank	blank	blank	blank	blank	blank	blank	blank	blank	1	3	2	2	2	3	3	1	1	1	1	1	1	C	blank	01/1/1

Notes 1. Confirm MODEL NAME mentioned in the name plate mounted on the reefer unit.

- It is possible to input Container I.D. and Controller Time with both the panel operation and the personal computer installed DCCS's software.
- When inputting the container I.D. by the panel operation, take care not to enter any of the following pairs of alphabet and numeral(i-1),(O-0),(S-5).
- If you don't input container I.D., it is impossible to download the logger data with the personal computer.
- If you don't input the controller set time, it starts from 2001.1.1, 0:00.

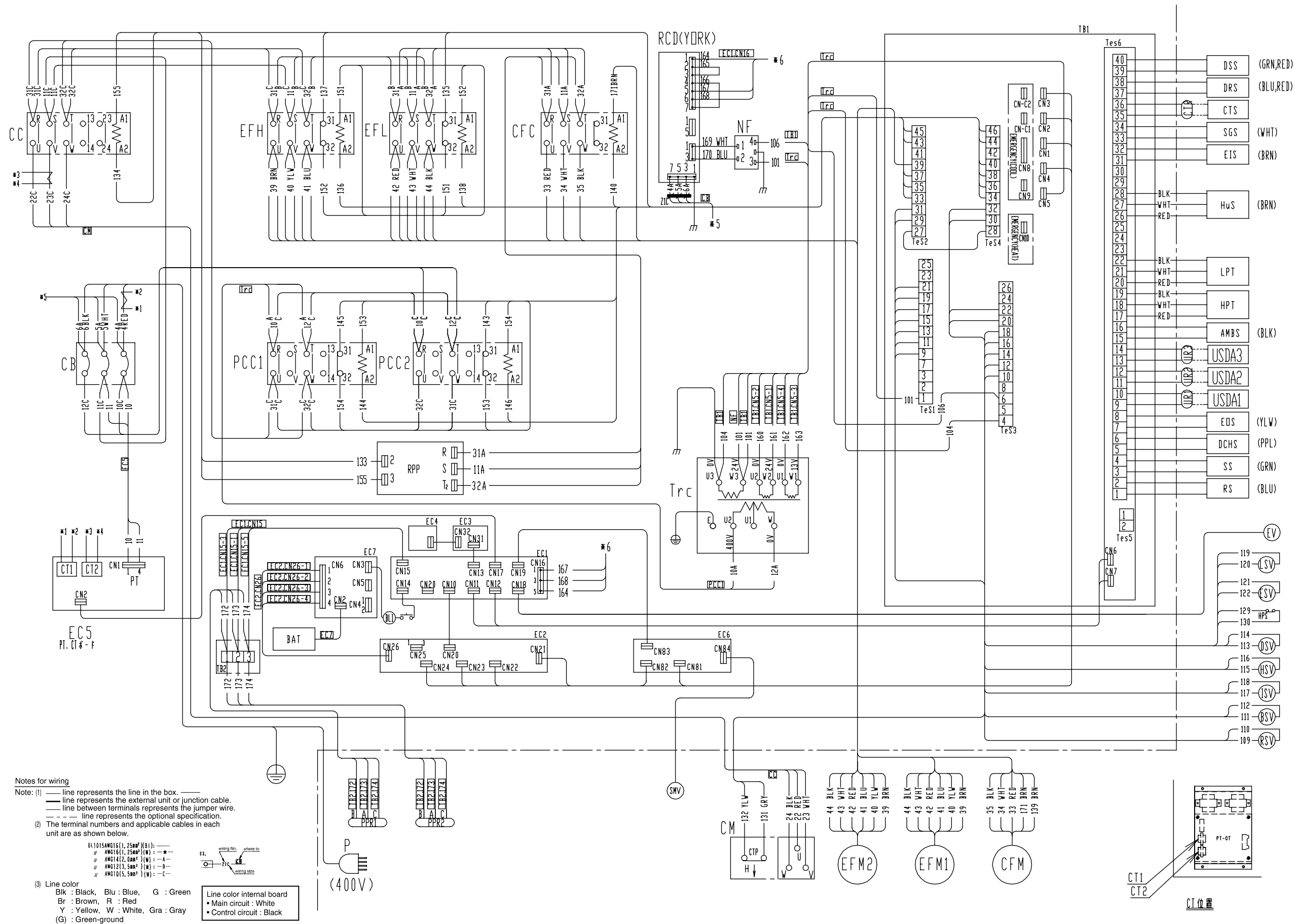
3. Refrigerant piping diagram



HPS	HIGH PRESSURE SWITCH
HPT	HIGH PRESSURE TRANSDUCER
LPT	LOW PRESSURE TRANSDUCER

— L —	LIQUID PIPE
— S —	SUCTION PIPE
— D —	DISCHARGE PIPE
— H —	FLANGE CONNECTION
— + —	FLARE CONNECTION
— W —	CAPILLARY TUBE

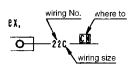
5. Stereoscopic wiring diagram



Notes for wiring

- Note: (1) — line represents the line in the box. — line represents the external unit or junction cable. — line between terminals represents the jumper wire. - - - line represents the optional specification.
 (2) The terminal numbers and applicable cables in each unit are as shown below.

- U11015AW018(1, 25mm²)(B1): —
- # AW014(1, 25mm²)(W): —
- # AW014(2, 0mm²)(W): —
- # AW012(3, 5mm²)(W): —
- # AW010(5, 5mm²)(W): —



- (3) Line color
 Blk : Black, Blu : Blue, G : Green
 Br : Brown, R : Red
 Y : Yellow, W : White, Gra : Gray
 (G) : Green-ground

Line color internal board
 • Main circuit : White
 • Control circuit : Black

1. 传感器

1.1 低压传感器 (LPT)

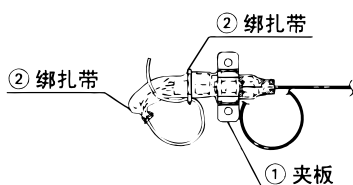
型号	LXE10E-A15BR,A15C,A15D	
传感器型	NSK-BC010F	
颜色指示	传感器	黑
	接头	没有

低压传感器位于制冷剂回路中。

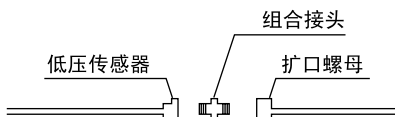
运行时的低压值显示在控制器的指示面板上。

(1) 传感器的更换

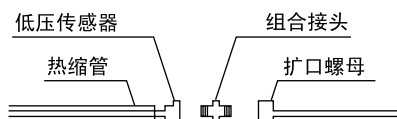
- ① 断开控制箱中的引线。
- ② 为了防止制冷剂流出，应在压缩机一侧将低压传感器管与仪表接头(带止回阀)C 断开。
- ③ 卸下用来固定低压传感器的夹板上的两个螺丝，接着切断绑扎带。



- ④ 卸下热缩管，断开接头与低压传感器的连接。



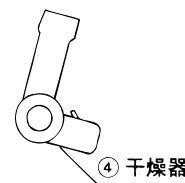
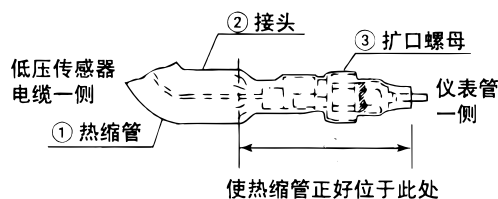
- ⑤ 将压力传感器电缆插入热缩管，接着将组合接头在新的低压传感器上。如果低压传感器上的涂层已经脱落，则应重新涂上透明漆。



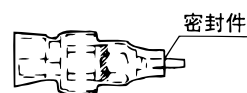
注意

请勿将低压传感器暴露在干燥器的热气中过长时间，否则会损坏传感器。

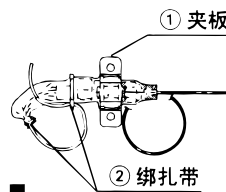
- ⑥ 将热缩管放在如下位置，接着用干燥器的热气使之收缩。



- ⑦ 将密封件放在热缩管与扩口螺母之间。(密封件：KE4898)



- ⑧ 用夹板固定住低压传感器，接着用绑扎带固定住电缆。应使电缆一侧的热缩管端头朝下以防止水进入管中。



固定热缩管时应使其端头朝下

1.2 高压传感器 (HPT)

型号	LXE10E-A15BR,A15C,A15D	
传感器型	NSK-BC030F	
颜色指示	传感器	红、茶
	接头	没有

高压传感器位于制冷剂回路中。

运行时的高压值显示在控制器的指示面板上。

(1) 更换步骤

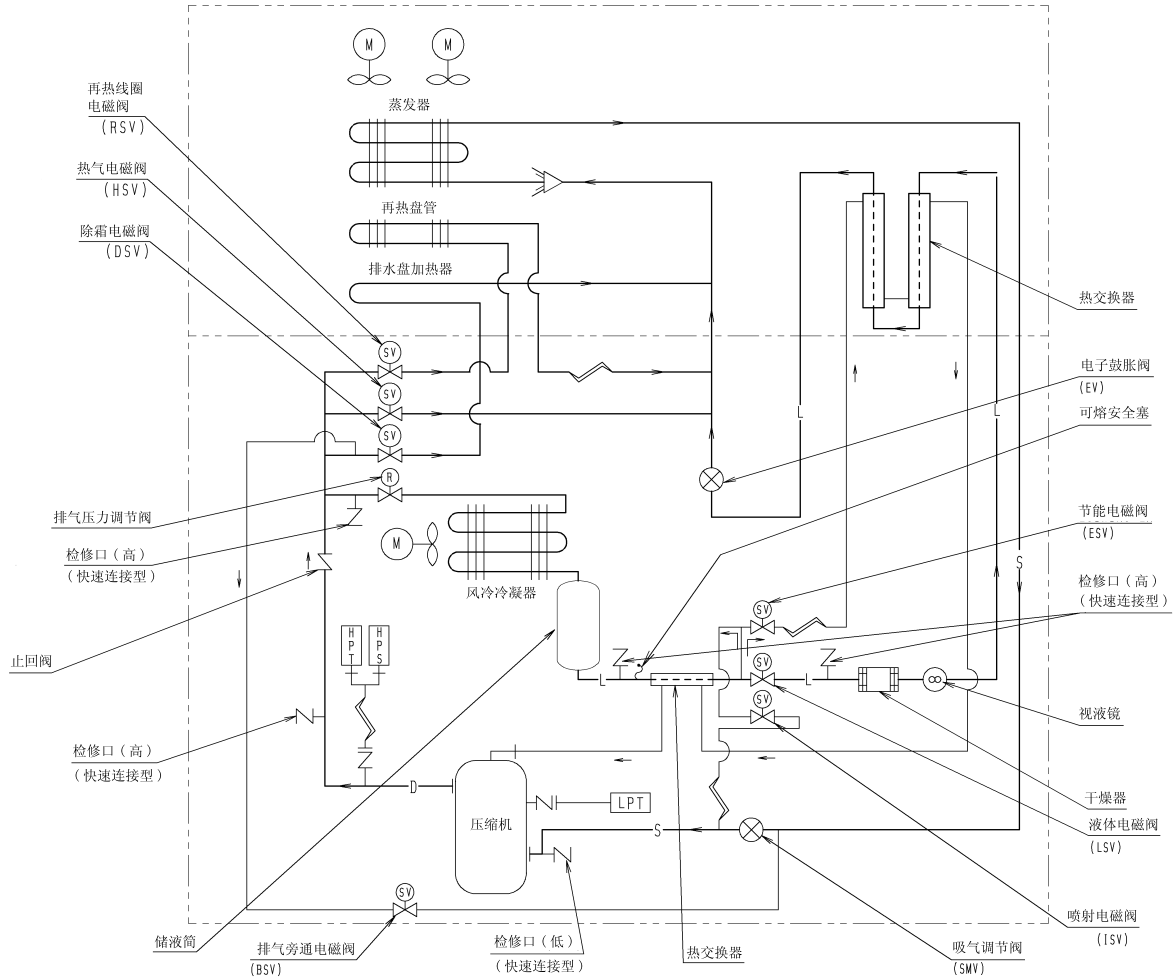
- 更换步骤与低压传感器相同。
应确保固定位置及电缆连接正确。

2. 备用控制器的初始设定表

型号名称 注1	※7. 选项功能 设定模式				※8. 基本功能模式										※9. 选项条件设定模式										※10. 输入数据		
	USdA	dHu	DECOS-3	LOG INT	REC SEN	OC-SET	HP	dISP	COMP	REHEAT	FA SEN	CHARTLS	USdA1/2	H001	H002	H003	H004	H005	H006	D1--	D2--	D3--	D1-	D2-	C/F	SET Id	SET TIME
LXE10E	USdA 除湿 传感器	dHu 除湿 控制	控制器 设定	记录 间隔	数据记 录器传 感器	输入 电源	马力	面板指 示灯 OFF	压缩机 /卸载 设定	再热盘 管设定		D/H代 码报警 显示	USdA传 感器 类型	H代码			D代码			D代码			温度 显示			集装箱 箱号	控制器 设定 时间
-A15BR			D	60	ON	单相	10	OFF	100	ON	OFF	2	3	2	2	2	3	3	1	1	1	1	1	1	C	*	GMT
-A15C	OFF	OFF			ON			OFF		ON																	
-A15D																											
备用控 制器	空白	空白	空白	空白	空白	空白	空白	空白	空白	空白	空白	1	3	2	2	2	3	3	1	1	1	1	1	1	C	空白	01/1/1

- 注 1. 确认制冷机组铭牌(安装在机组上)上的型号名称。
 2. 可通过面板操作和个人电脑安装的DCCS软件输入集装箱号和控制器时间。
 3. 通过操作面板输入集装箱号时, 注意不要输入下述字符: (i-1)、(O-0)、(S-5)。
 4. 如果不输入集装箱号, 则无法用个人电脑下载记录的数据。
 5. 如果不输入控制器设定时间, 则从2001年1月1日0:00开始。

3. 系统管路图



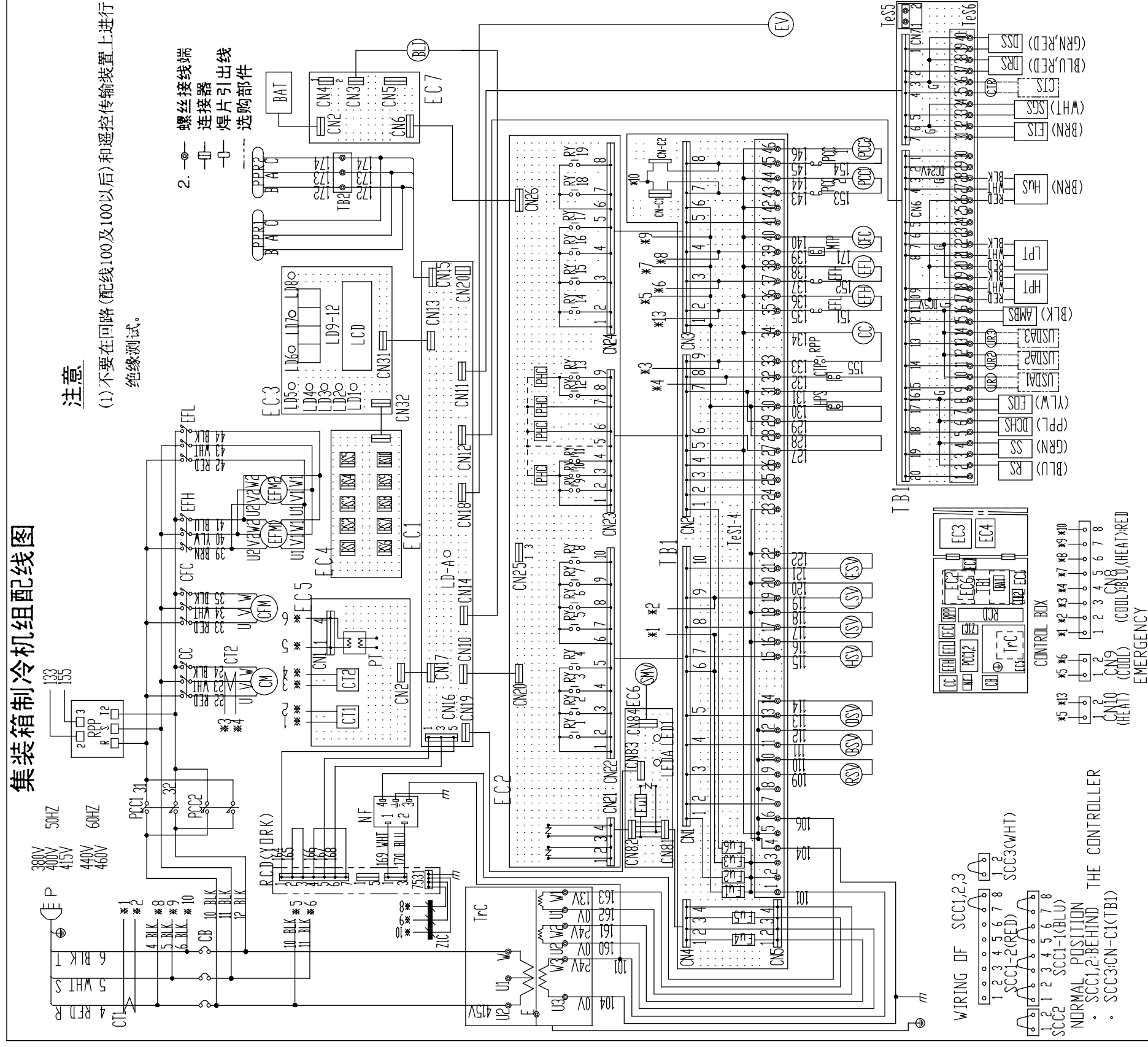
HPS	高压开关
HPT	高压传感器
LPT	低压传感器

— L —	液体管
— S —	吸水管
— D —	排水管
— H —	法兰连接
— + —	扩口管连接
— 〰 —	毛细管

<https://daikin-p.ru>

4. 配线示意图

集装箱制冷机组配线图



注意

(1) 不要在回路(配线100及100以后)和遥控传输装置上进行绝缘测试。

2. 螺丝接线端
 连接器
 焊片引出线
 选购部件

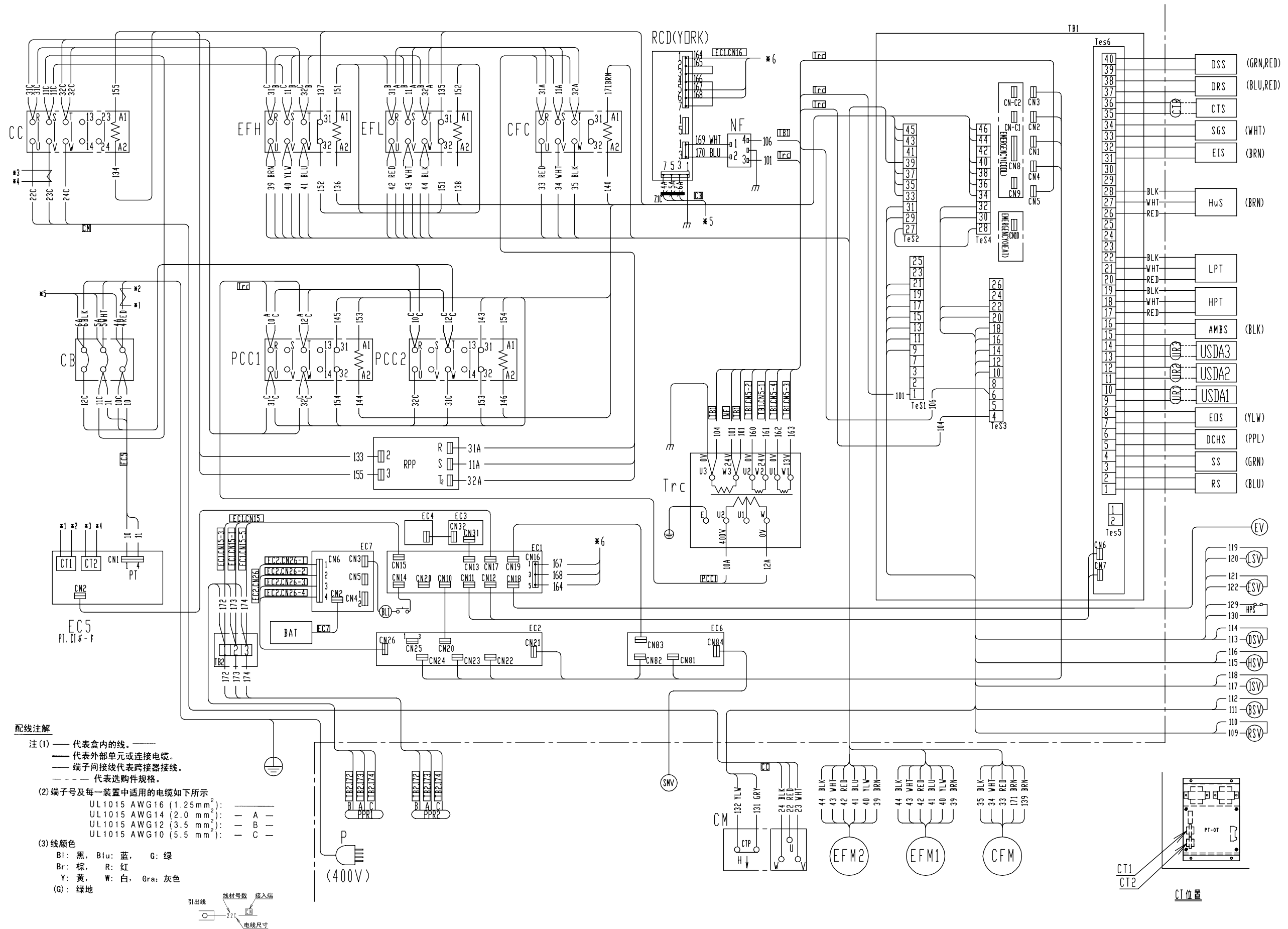
WIRING OF SCC1,2,3
 SCC1-2(RED) SCC3(WHT)
 SCC1-1(BLU)
 NORMAL POSITION
 • SCC1,2:BEHIND THE CONTROLLER
 • SCC3:CN-C1(TB1)

AMBS	AMBIENT TEMP SENSOR	EC6	ADAPTER BOARD	LD5	LIGHT-EMITTING DIODE (COMP)	SCC3	SHORT CIRCUIT CONNECTOR
BAT	BATTERY	EC7	POWER SUPPLY BOARD	LD6	LIGHT-EMITTING DIODE (DEFROST)	SGS	SUCTION GAS SENSOR
BLL	BATTERY LEVEL INDICATOR	EFH	HIGH SPEED EVAPORATOR FAN CONTACTOR	LD7	LIGHT-EMITTING DIODE (ON RANGE)	SNV	SUCTION MODULATING VALVE
BSV	GAS BYPASS SOLENOID VALVE	EEL	LOW SPEED EVAPORATOR FAN CONTACTOR	LD8	LIGHT-EMITTING DIODE (OF-HUMID)	SSS	SUPPLY AIR SENSOR
BSV-10	PUSH BUTTON SWITCH	EFM1/2	EVAPORATOR FAN MOTOR	LD9-12	LIGHT-EMITTING DIODE	TB1/2	TERMINAL BOARD
CB	CIRCUIT BREAKER (30A)	EIS	EVAPORATOR INLET SENSOR	LEDA	SERVICE MONITOR-GREEN (EC6)	TrC	CONTROL TRANSFORMER
CC	COMPRESSOR CONTACTOR	EIS	EVAPORATOR OUTLET SENSOR	LED1	LIGHT-EMITTING DIODE (EC6)	UR1-3	USDA RECEPTACLE
CFC	CONDENSER FAN CONTACTOR	ESV	ECONOMIZER SOLENOID VALVE	LPT	LOW PRESSURE TRANSDUCER	ZIC	FERRITE CORE
CFM	CONDENSER FAN MOTOR	EV	ELECTRONIC EXPANSION VALVE	LSV	LIQUID SOLENOID VALVE		
CM	COMPRESSOR MOTOR	Fu1-6	FUSE (250V, 10A X 10)	MTP	COND. MOTOR THERMAL PROTECTOR		
C11/2	CURRENT TRANSFORMER	Fu1	FUSE (250V, 5A X C6)	NF	NOISE FILTER		
C1P	COMPRESSOR THERMAL PROTECTOR	HPS	HIGH PRESSURE SWITCH	P	POWER PLUG		
CTR	CARGO TEMP. RECEPTACLE	HPT	HIGH PRESSURE TRANSDUCER	PCC1/2	PHASE CORRECTION CONTACTOR		
DCHS	COMPRESSOR DISCHARGE SENSOR	HSV	HOT GAS SOLENOID VALVE	PHC	PHOTO COUPLER		
DRS	DATA RECORDER RETURN AIR SENSOR	HUS	HUMIDITY SENSOR	PPR1/2	PCPRT RECEPTACLE		
DSS	DATA RECORDER SUPPLY AIR SENSOR	ISV	INFUSION SOLENOID VALVE	PT	POTENTIAL TRANSFORMER	CIS	CARGO TEMP. SENSOR
DVV	DEFROST SOLENOID VALVE	LCU	LIQUID CRYSTAL DISPLAY	RPP	REVERSE PHASE PROTECTOR	PCD	REMOTE COMMUNICATION DEVICE (WORK)
EC1	CPU BOARD (OCES)	LD-A	SERVICE MONITOR-GREEN (C1)	RSV	RETURN AIR SENSOR	USDA1-3	USDA SENSOR
EC2	I/O BOARD (OCES)	LD1	LIGHT-EMITTING DIODE (RH)	RSV	REHEAT COIL SOLENOID VALVE		
EC3	DISPLAY BOARD (OCES)	LD2	LIGHT-EMITTING DIODE (ALARM)	KV1-19	RELAY		
EC4	SHEET KEY (OCES)	LD3	LIGHT-EMITTING DIODE (RETURN)	SCC1-1/2	SHORT CIRCUIT CONNECTOR		
EC5	PRINTED CIRCUIT BOARD (PTC1)	LD4	LIGHT-EMITTING DIODE (SUPPLY)	SCC2	SHORT CIRCUIT CONNECTOR		

LXE10E-A14,A15,A31

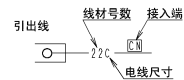
2 D 0 3 8 0 5 3 - 1 C

5. 配线立体图



配线注解

- 注(1) ——— 代表盒内的线。
 ——— 代表外部单元或连接电缆。
 ——— 端子间接线代表跨接器接线。
 - - - 代表选配件规格。
- (2) 端子号及每一装置中适用的电缆如下所示
- | | |
|---------------------------------------|-------|
| UL1015 AWG16 (1.25 mm ²): | — A — |
| UL1015 AWG14 (2.0 mm ²): | — B — |
| UL1015 AWG12 (3.5 mm ²): | — C — |
| UL1015 AWG10 (5.5 mm ²): | — C — |
- (3) 线颜色
- Bl: 黑, Blu: 蓝, G: 绿
 Br: 棕, R: 红
 Y: 黄, W: 白, Gra: 灰色
 (G): 绿地



ORDERING INSTRUCTIONS

The parts list contains the parts of the DAIKIN Marine Type Container Refrigeration Units. Please read the following items before using the list.

1. When ordering the parts, be sure to specify the model No., the name of part and the type of part. When ordering the parts for which no parts NO. is shown in the PARTS NO. column, be sure to describe DWG.NO..
2. The list shows the parts only for replacement or repairing at the job site. Certain parts require a production lead time or are supplied as a set, so please contact with the nearest DAIKIN PARTS CENTRE.

3. Index symbols;

Meaning of the ranking A,B and C are as follows;

A. The most important spare parts

1. The parts whose malfunction cause fatal damage to the unit.
2. The parts with high risk of malfunction.
3. The parts that are worn out after an extended service period.

B. The important spare parts next to A, but the risk of malfunction is not so high.

C. The parts with low risk of malfunction, but recommendable to stock to cope with damage during handling of container box and long delivery time, etc.

The parts without A, B and C mark is the parts whose necessity is not so high under normal operation.

パーツリスト使用上の注意

このパーツリストはダイキン海上コンテナ冷凍装置の部品を集録してあります。パーツリスト使用にあたっては、必ず次の注意事項をご一読の上使用していただくようお願いいたします。

1. 部品のご注文の際は機種名、部品番号、および部品名、形式を必ずご指定ください。
なお、部品番号欄が空白になっている部品は、図面番号で指示願います。
2. 掲載部品の範囲は、あくまでも現地にて分解修理できるところまで記載しております。
一部部品につき納期のかかるものおよびセット単位となるものもありますので、お近くのダイキンパーツセンター又はサービスステーションに相談願います。

3. INDEXの説明

INDEXのA、B、Cの意味は下記の通りです。

A. 最も重要な部品

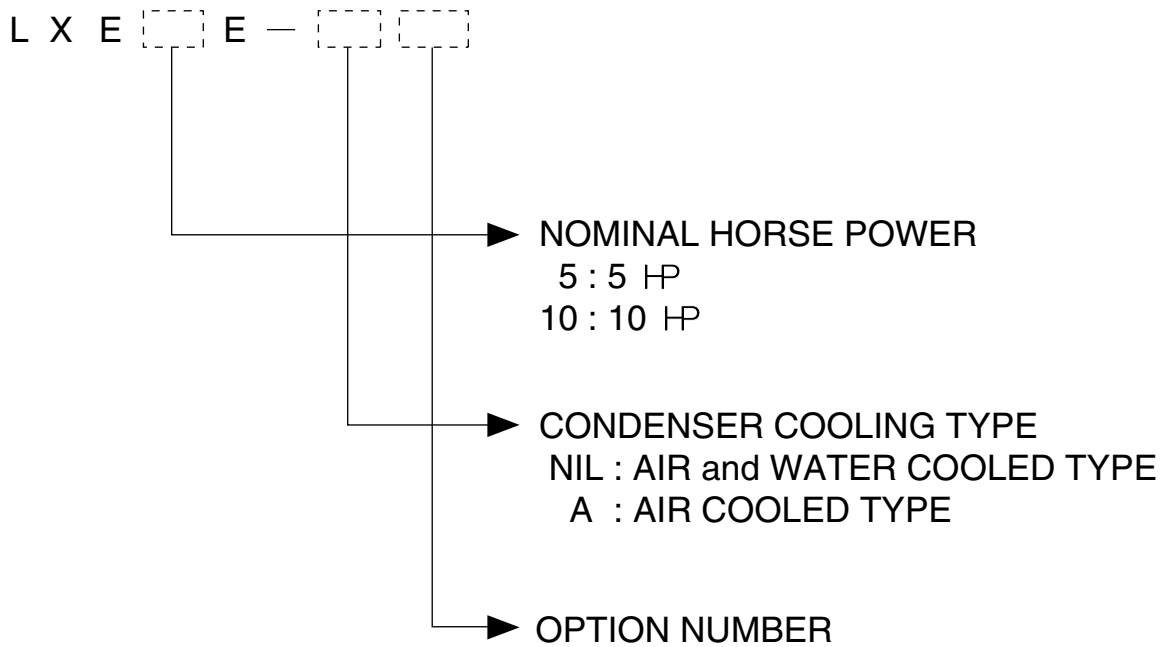
1. 故障した場合に最も重大な損害を与えると思われる部品
2. 故障の確率が高いと思われる部品
3. 長期の使用で摩耗して使用できなくなる部品

B. 故障発生の確率は高くはないが、Aについて重要な部品

C. 故障発生の確率は低いですが、コンテナボックスの運搬中の事故や、部品の納期が長期になるとと思われる等の理由で、在庫をお勧めする部品

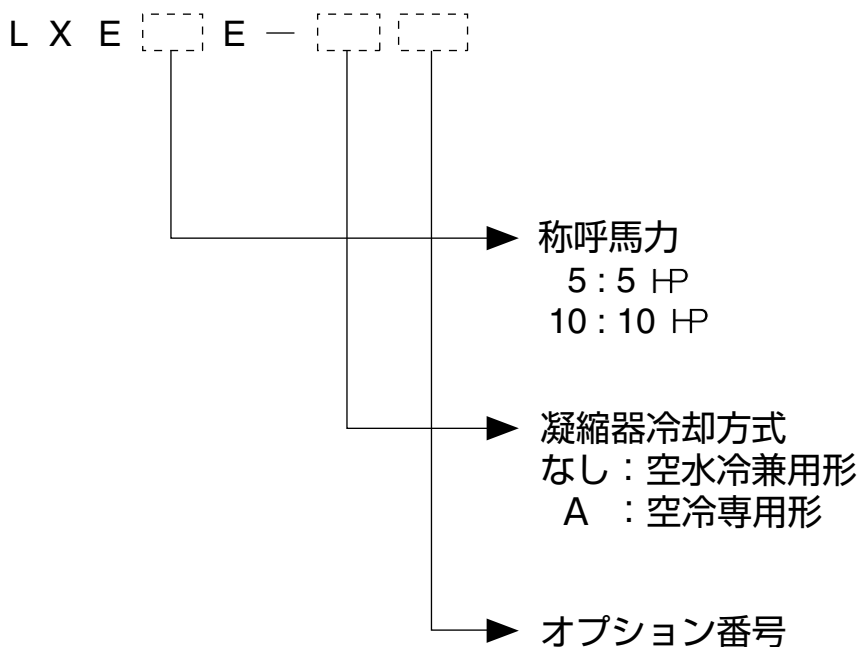
A,B,Cマークの無い部品は、通常の運転では必要性は高くない部品です。

Denomination of Model Name



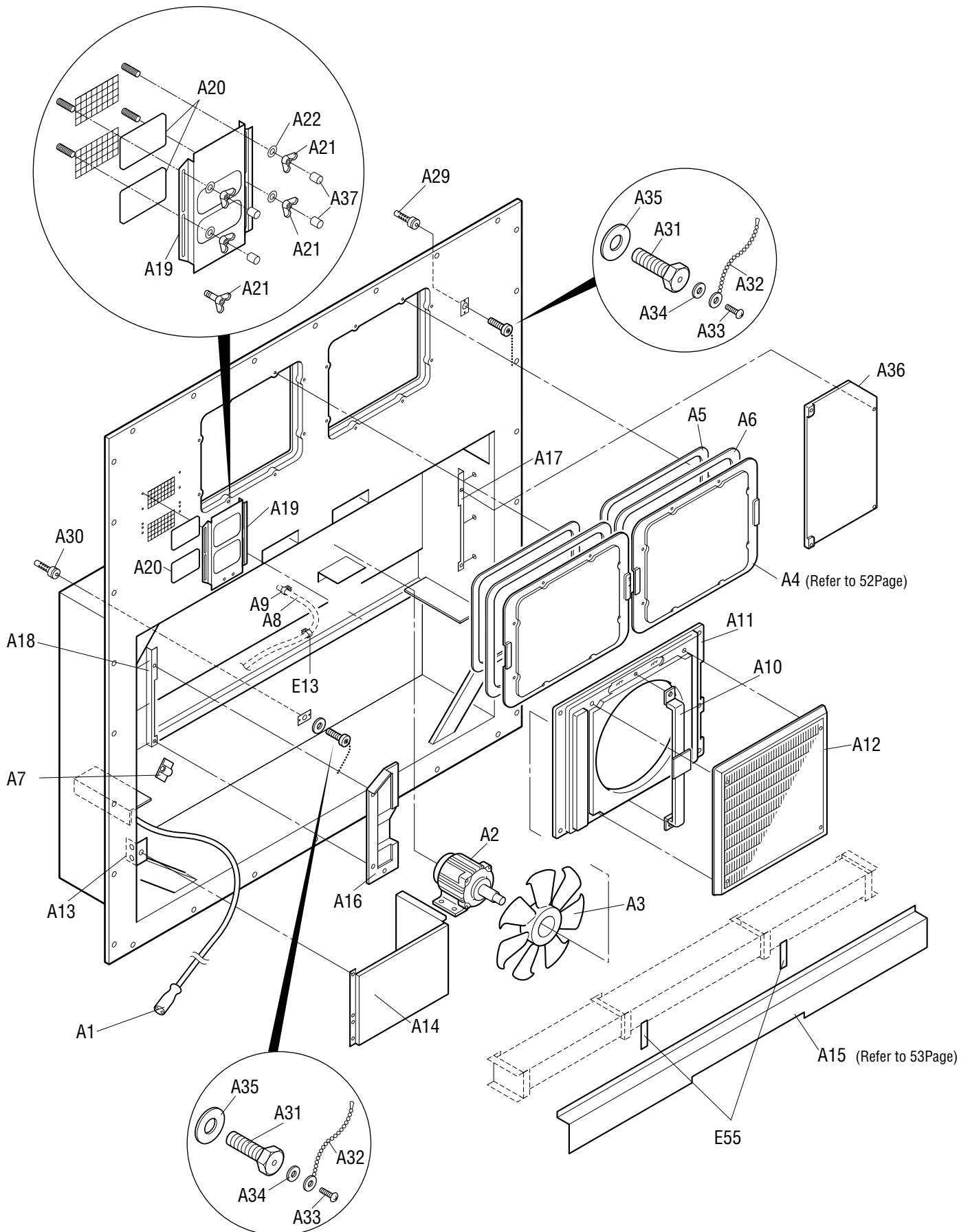
Note) "R" GIVEN AFTER OPTION NUMBER STANDS FOR "REVISION" AND IT IS GIVEN FOR THE UNIT WHICH IS SPECIALLY MODIFIED.

機種名について



注) オプション番号の後に R がつく機種は、改造機で、特別な仕様が加えられていることを意味します。

A. Parts related with the unit(outside)	18
庫外関連部品	
B. Parts related with refrigerant piping(outside)	20
庫外冷媒配管関連部品	
C. Parts related with the unit(inside)	24
庫内関連部品	
D. Parts related with refrigerant piping(inside)	28
庫内冷媒配管関連部品	
E. Other parts(Pipe clamp, sealing and insulation material etc.)	30
その他部品 (配管固定具、シール材、防熱材等)	
F. Control box	38
コントローラボックス	
G. Parts related with name plate	42
銘板関連	
I. Parts related with option 1 – USDA	44
オプション関連部品 1 - USDA関連	
J. Parts related with option 2 – MODEM	46
オプション関連部品 2 - モデム	
K. Parts related with option 3 – Others	48
オプション関連部品 3 - その他	
1. Indoor fan guard 庫内ファンガード	
2. Evaporator coil 蒸発器コイル組立品	
L. List of size for standard pipe clamp	50
配管固定具サイズ表	
1. Resin clamp 樹脂バンド	
2. Tube clamp 管止金	
3. Cushion rubber for pipe clamp 管止金用緩衝ゴム	
M. Note for ordering spare parts	52
部品発注の際の注意事項	
1. Parts recommended to be ordered together with packing, gasket, sealing material and name plate	
発注の際にパッキングやシール材、銘板等の同時発注を推奨する部品	
2. Order for motorized valve, solenoid valve and pressure regulating valve	
電動弁・電磁弁・圧力調整弁の発注	
3. Order for pressure transducer 圧力センサーの発注	
4. Order for temperature sensor 温度センサーの発注	
N. Measuring and adjusting tools	57
測定調整用工具	
1. Tools for emergency operation 緊急運転用工具	
2. Personal computer cable (for DCCS) パソコンケーブル(DCCS用)	

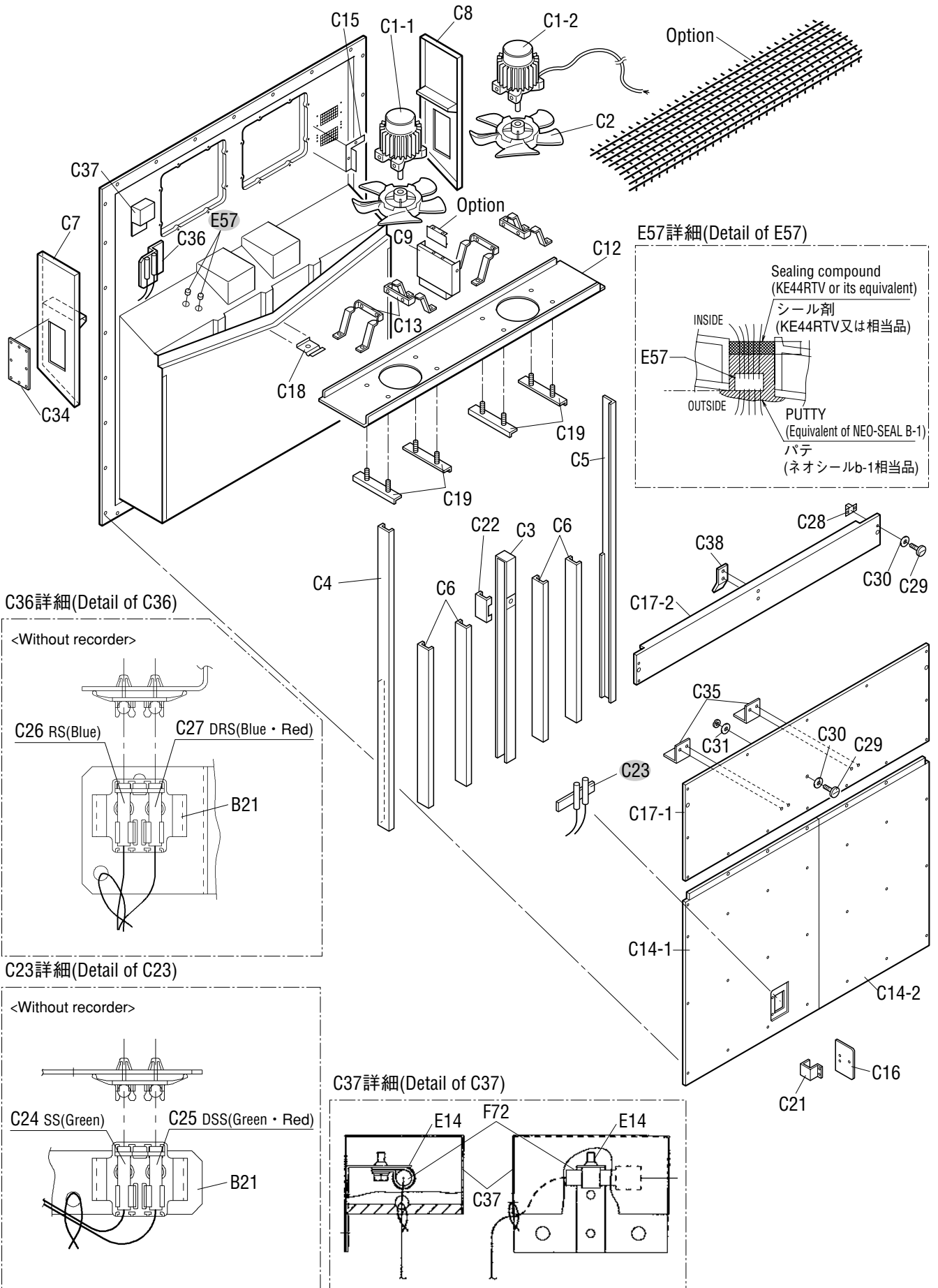


NO. 符号	INDEX	PARTS NO. 部品番号	PARTS NAME	部品名称	DWG. NO. 図面番号	TYPE SPECIFICATION 形式 仕様	QTY/UNIT			REMARKS 備考
							LXE10E-			
							A15BR	A15C	A15D	
A1		1448270	Power plug	電源プラグ	3P109727-1		1	1	1	
A2	A	0954936	Condenser fan motor	凝縮器電動機	3P005566-1		1	1	1	
A3	B	0980618	Fan Brade (outside)	プロペラファン (庫外側)	2P004956-1	P44H11S	1	1	1	
A4		1612576	Access panel(FRP)	サービス扉組立品	1P006678-5		2	2	2	Refer to Page52
A5		1266207	Cushion material(access panel)	クッション材 (サービス扉)	3P033608-1		2	2	2	Refer to Page52
A6		1196113	Sealing material (access panel)	シール材 (サービス扉)	3P001640-2		2	2	2	Refer to Page52
A7		1326705	Wire clamp	電線止め金	4P090422-1		1	1	1	
A8	C	1266199	Drain hose	ドレンホース	3P011299-1	For trap type	1	1	1	
A10		1266137	Fan guide stay ass'y(outside)	ファンガイドステー組立品(庫外側)	3P027891-1		1	1	1	
A11		1588356	Fan guide(Outside)	ファンガイド (庫外側)	1P050906-6		1	1	1	
A12		1588349	Discharge grill	吹出グリル	1PA53427-6		1	1	1	
A13		1369663	Mounting plate 2, cable storage	ケーブル収納部取付板2	4P006981-2		1	1	1	
A14		1564660	Cabel holding sheet metal	ケーブル収納部板金(圧縮機前板:有/無共用)	3P128458-1		1	1	1	
A15	C	1270338	Front plate (CA)	前板 (C A)	2P061345-1		1	1	1	Refer to Page53
A16		1600504	C,BOX Front plate	C, B O X 前板 (左)	2P093861-5		1	1	1	
A17		1485527	Fixing plate	外板取付板 (1)	3P116814-1		1	1		
A17		1661338	Fixing plate	外板取付板 (1)	3P170539-1				1	
A18		1631940	Fixing plate	外板取付板 (2)	3P158049-1		1	1		
A18		1661321	Fixing plate	外板取付板 (2)	3P170535-1				1	
A19	B	0981060	Ventilation cover	換気口蓋	3P003175-1		1	1	1	Refer to Page53
A20		1266221	Sealing material (ventilator)	シール材(換気口)	4P016185-1		2	2	2	Refer to Page53
A21		1015858	Wing nut	蝶ナット	4SK06111-5		4	4		
A21		1270345	Wing bolt	蝶ボルト	4P048681-1				4	
A22		1430705	Plain washer (Woods round type)	平座金 (木材用丸)	4P066385-8		16	16	16	
A29		1584145	Protection cover (3)	温度計挿入口保護カバー (3)	4P085921-3		1	1	1	
A30		1496820	Protection cover(2)	温度計挿入口保護カバー (2)	4P085921-2		1	1	1	
A31		1266238	Hexagon head bolt	PC六角ボルト	R4290921-125	M12X25	2	2	2	
A32		1386930	Latch(victor chain)	掛金 (ビクターチェーン)	4P063801-1		2	2	2	
A33		1266245	Tapping screw	タッピンネジ	4SK05064-8	M3 SUS304	2	2	2	
A34		844012S	Plain washer	平座金	4SK07005-3	M3SUS	23	23	23	
A35		1267084	Gasket, resin bolt	パッキン樹脂ボルト用	4PA63573-1		2	2	2	
A36		1600528	Front panel (right)	前板 (右)	3P083136-5		1	1		
A36		1679416	Front panel(right)	前板 (右)	3P173348-1				1	
A37		1387159	Lock nut	換気口蝶ナット用ロックナット	4P105737-1		4	4		
E13		1266788	Resin clamp	樹脂バンド	NE41015-12	MILK WHITE	6	6	6	
E55		1267077	Packing for prevention of vibration	C A 前板ビビリ防止パッキン	4P050050-1		2	2	2	

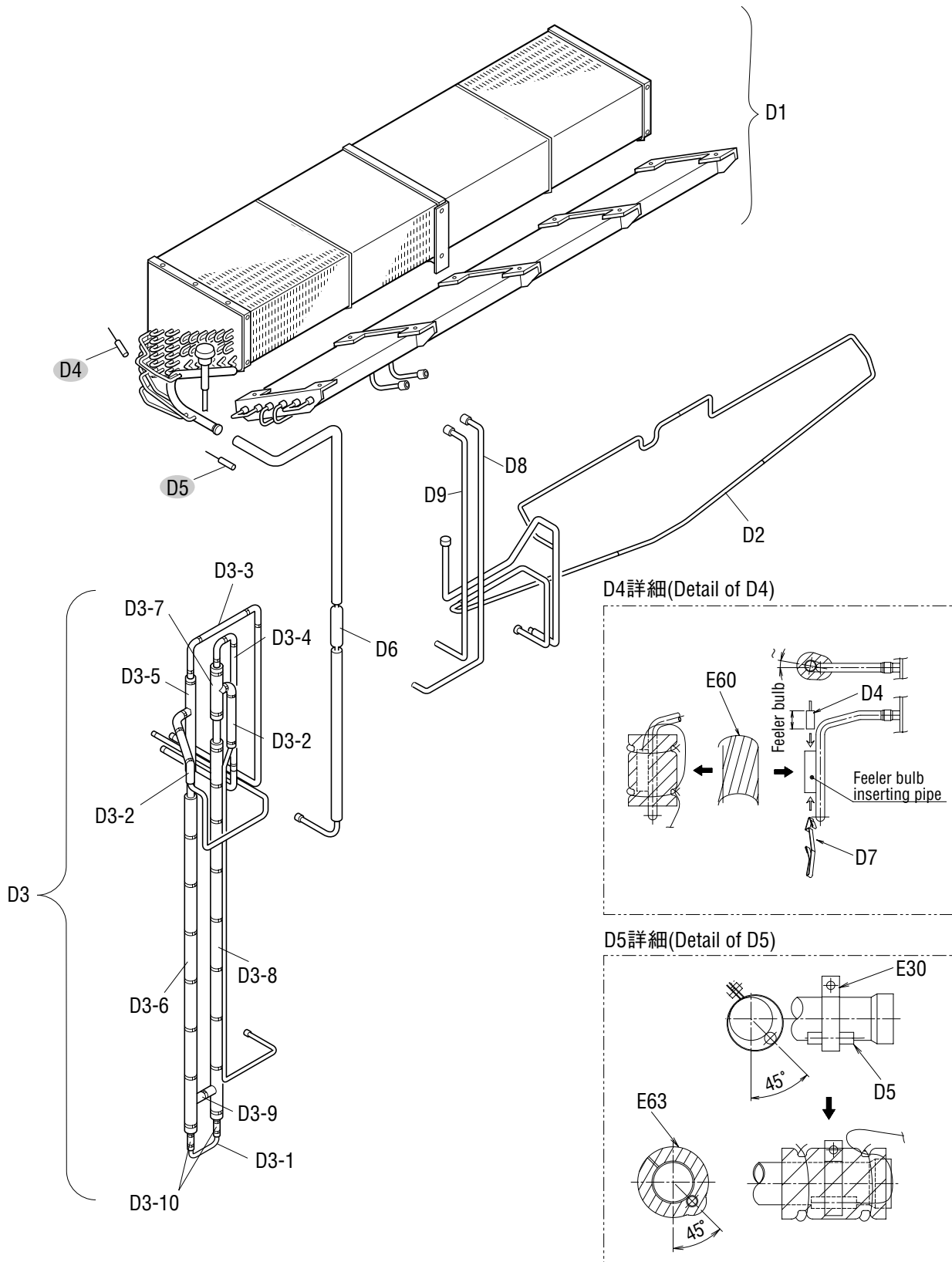
NO. 符号	INDEX	PARTS NO. 部品番号	PARTS NAME	部品名称	DWG. NO. 図面番号	TYPE SPECIFICATION 形式 仕様	QTY/UNIT			REMARKS 備考
							LXE10E-			
							A15BR	A15C	A15D	
B1	A	1315426	Compressor	圧縮機	JT224DBNYR		1	1	1	
B2		1387173	Air cooled condenser	空冷凝縮器	2P089486-1	CA-LXE10E1	1	1	1	
B3			Discharge pipe ass'y	吐出配管組立品	2P117329-1		1	1	1	
B3-1	C	1199167	Strainer	ストレーナ	4P051389-1		1	1	1	
B3-2	C	1178920	Service valve ass'y	サービスバルブ組立品	3P048905-1		3	3	3	
B3-2-1	B	117592J	Service valve cap	キャップ	3P048905-1-KU		3	3	3	
B3-2-2	B		Service valve body	本体	3P048905-1-KA		3	3	3	
B3-2-3	B	1178850	Valve core	バルブコア	3P048905-1-KI		3	3	3	
B3-3	B	0684220	Check valve	逆止弁	3SA27008-1		1	1	1	
B3-4	A	1241361	Discharge pressure regulating valve	吐出圧力調整弁	3P074558-1		1	1	1	Refer to Page54
B3-5		1266276	Flange (convex)	吐出管フランジ (凸)	4P065933-1		1	1	1	
B3-6	B	292011	Gauge joint (with check valve)	逆止弁付ゲージ接手	2PF00177-1	VCG2DA	1	1	1	
B4		1549685	Liquid receiver ass'y	受液器組立品	2P117335-1		1	1		
B4		1655939	Liquid receiver ass'y	受液器組立品	2P162878-1				1	
B4-1		1266283	Liquid receiver	受液器レシーバ	4P081428-1	φ 90×t1.5	1	1	1	
B4-2		013785J	Flare nut	フレアナット	4SK23011-4	FNS4 φ 12.7	1	1	1	
B4-3	A	1498035	Fusible plug	可熔栓	3SA27103-1		1	1	1	
B4-5	A	0944566	NEV type solenoid valve body	NEV型電磁弁本体	R3305118-1	NEV-803DXF	1	1		Refer to Page54
B4-5	B	1411533	Solenoid valve body	電磁弁本体	3SA52069-1				1	Refer to Page54
B4-6	A	0955287	Solenoid valve coil	電磁弁コイル	3P010453-1		1	1	1	Refer to Page54
B5			Liquid pipe ass'y	液配管組立品	3P065985-1		1	1		
B5			Liquid pipe ass'y	液配管組立品	3P162887-1				1	
B5-1		013785J	Flare nut	フレアナット	4SK23011-4	FNS4 φ 12.7	1	1	1	
B5-2	A	0622107	Liquid moisture indicator	モイスターインジケーター	3PA51270-3	SGN12S	1	1	1	
B6			Injection tube ass'y	インジェクション管組立品	3P093305-1		1	1		
B6			Injection tube ass'y	インジェクション管組立品	3P162892-1				1	
B6-1	C	0085296	Strainer	ストレーナ (100メッシュ)	R4697892		1	1	1	
B7a			Expansion valve pipe ass'y	膨張弁配管組立品 (レヒート)	2P148747-1		1	1		
B7a			Expansion valve pipe ass'y	膨張弁配管組立品 (レヒート)	2P163079-1				1	
B7-1		1505748	Filter	フィルタ	3P011071-1		1	1	1	
B7-2	C	1490846	Strainer	ストレーナ	4P051958-1		1	1	1	
B7-3	A	125649J	Electronic expansion valve body ass'y	電子膨張弁本体組立品	2SA50010-2-KU		1	1	1	Refer to Page54
B7-4	A	0944566	NEV type solenoid valve body	NEV型電磁弁本体	R3305118-1	NEV-803DXF	4	4		Refer to Page54
B7-4	B	1411533	Solenoid valve body	電磁弁本体	3SA52069-1				4	Refer to Page54
B7-5	A	0955287	Solenoid valve coil	電磁弁コイル	3P010453-1		4	4	4	Refer to Page54
B7b			ISV,ESV pipe ass'y	ISV・ESV配管組立品 (標準・P&O)	2P148527-1		1	1		
B7b			ISV,ESV pipe ass'y	ISV・ESV配管組立品 (標準・P&O)	3P163059-1				1	
B7-6	A	0088738	Nev type solenoid valve body	NEV型電磁弁本体	R3305099-1-KI	NEV-202DXF	2	2	2	Refer to Page54
B7-7	A	0955287	Solenoid valve coil	電磁弁コイル	3P010453-1		2	2	2	Refer to Page54
B7-8	C	0964166	Strainer	ストレーナ	4P012568-1		1	1	1	

• When ordering the parts whose No. are not shown in the PARTS NO. column, be sure to describe DWG. NO..

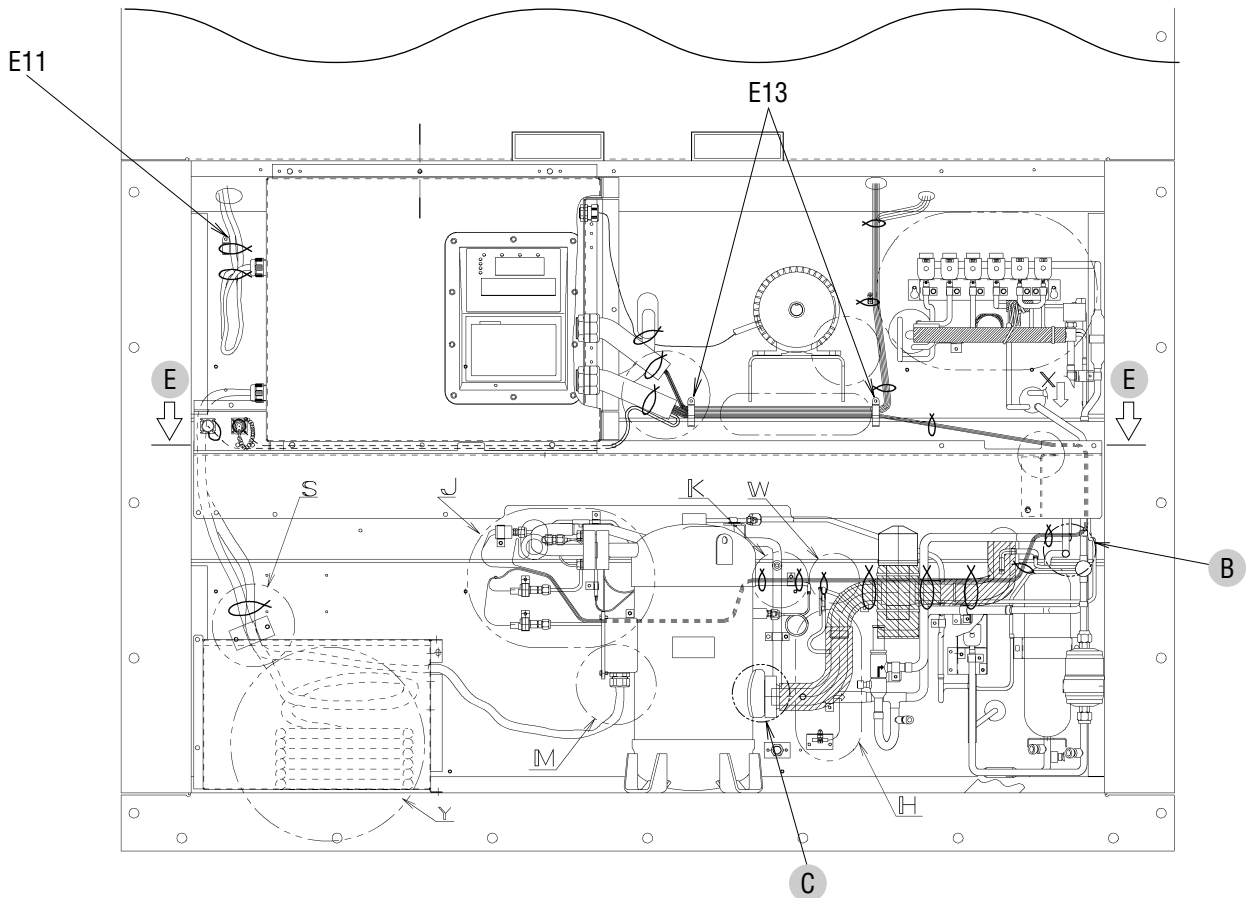
• 部品番号欄が空白になっている部品は、図面番号で、指示願います。



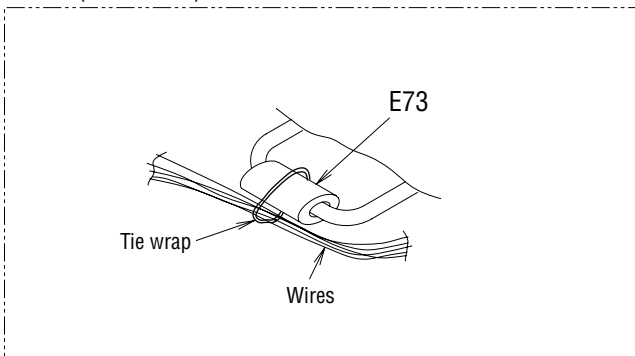
NO. 符号	INDEX	PARTS NO. 部品番号	PARTS NAME	部品名称	DWG. NO. 図面番号	TYPE SPECIFICATION 形式 仕様	QTY/UNIT			REMARKS 備考
							LXE10E-			
							A15BR	A15C	A15D	
C1-1	A	0955340	Three phase AC fan motor	三相交流ファン電動機	3PA07524-5	SPRK91A - 42	1	1	1	
C1-2		0955333	Three phase AC fan motor	三相交流ファン電動機	3PA07524-4		1	1	1	
C2		1632169	Fan brade (inside)	プロペラファン (庫内側)	4P159475-2		2	2		
C2	B	0777519	Fan brade (inside)	プロペラファン (庫内側)	P32P11F				2	
C3		1410958	Center stay	中央ステー	3P094853-1		1	1		
C3		1656019	Center stay	中央ステー	3P167260-1				1	
C4		1266360	Side stay	サイドステー	3P061281-1	t2.5	1	1		
C4		1656033	Side stay	サイドステー (1) 裏板アルミ仕様	3P167262-1				1	
C5		1509531	Side stay(2)	サイドステー (2)	3P105384-1		1	1		
C5			Side stay(2)	サイドステー (2) 裏板SUS仕様	3P168539-1				1	
C6		1584176	Rear stay	背面ステー (レヒート)	3P103621-2		4	4		
C6		1667141	Rear stay	背面ステー (裏板SUS仕様)	3P167261-2				4	
C7		1380747	Casing frame, evaporator	蒸発器枠 (1)	2P094765-1		1	1		
C7		1666838	Casing frame, evaporator	蒸発器枠 (1) 裏板SUS仕様	2P170293-1				1	
C8		1380754	Casing frame, evaporator	蒸発器枠 (2)	2P094765-2		1	1		
C8		1666845	Casing frame, evaporator	蒸発器枠 (2) 裏板SUS仕様	2P170293-2				1	
C9		1494134	Fan guide fixing plate	ファンガイド固定板	3P105378-1		1	1		
C9		1667165	Fan guide fixing plate	ファンガイド固定板(裏板SUS仕様)	3P168540-1				1	
C12		1605237	Fan guide ass'y	ファンガイド組立品(レヒート・キャリアプレーション有)	3P123264-1		1	1		
C12			Fan guide ass'y	ファンガイド組立品(レヒート)	3P166890-1				1	
C13		1565199	Set plate, fan motor	電動機取付脚	3P144888-1		4	4	4	
C14-1		1622434	Rear plate(lower/left)	裏板 (下/左)	2P144516-1		1	1	1	
C14-2		1622441	Rear plate(lower/right)	裏板 (下/右)	2P144517-1		1	1	1	
C15		1266555	Air reflection plate	風向板	4P055257-1		1	1	1	
C16		1622458	Supply sensor inspection door	サブライセンサ点検蓋	4P148634-1		1	1	1	
C17-1		1622465	Rear plate(middle)	裏板 (中)	2P144515-1		1	1	1	
C17-2		1622472	Rear plate(upper)	裏板 (上)	2P144514-1		1	1	1	
C18		1266485	Partition plate (drain outlet)	仕切板 (ドレン出口)	4P011317-1		1	1	1	
C19		1135978	Reinforce plate, fan motor	補強板 (ファン電動機台)	4P011316-1		4	4	4	
C21		1135125	Hinge	蝶番	3P043374-1		1	1	1	
C22		1266524	Support plate	支柱補強柱	4P061342-1		1	1	1	
C23		1605466	Mounting plate	サブライセンサ取付板	4P144433-1		1	1	1	
C24	A	137531J	Sensor(SS)	センサー (SS)	3PA61769-11		1	1	1	Refer to Page56
C25	A	1375327	Sensor(DSS)	センサー (DSS)	3PA61769-12		1	1	1	Refer to Page56
C26	A	1375334	Sensor(RS)	センサー (RS)	3PA61769-13		1	1	1	Refer to Page56
C27	A	1375341	Sensor(DRS)	センサー (DRS)	3PA61769-14		1	1	1	Refer to Page56
C28		860015	Universal nut	自在ナット	R4713188-1		16	9	3	
C29		860030S	Speed bolt	スピードボルト (M6)	4P048680-2	M6X29(S)	18	18		
C29		860011	Speed bolt	スピードボルト (M6)	4P048680-1				18	
C30		860005	Washer, speed bolt	スピードボルト用座金	R4713334		21	21	6	



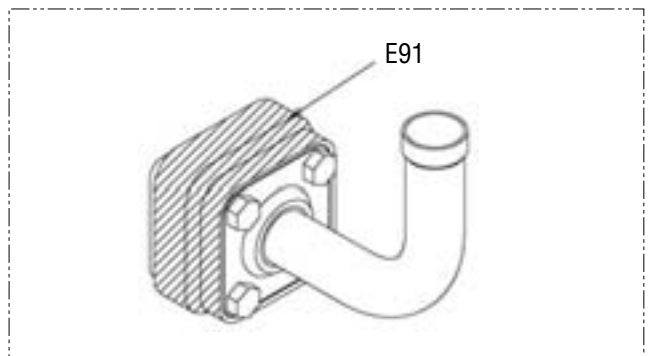
Other parts(Pipe clamp, sealing and insulation material etc.)
 その他部品 (配管固定具、シール材、防熱材等)



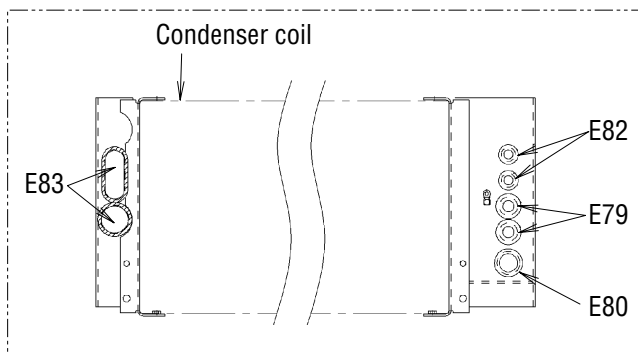
B詳細(Detail of B)



C詳細(Detail of C)



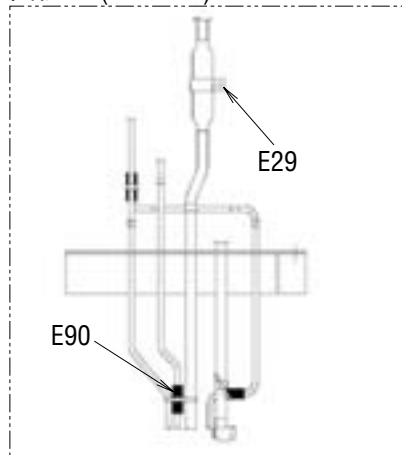
E断面(Section of E)



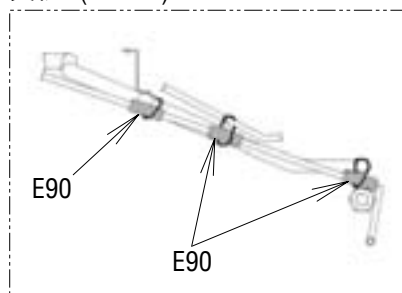
※(L = XX mm) indicates the length of cushion rubber E35.(Cut to suit pipe size.)

※(L = XX mm)と表記のものは、緩衝ゴム(E35)の長さです。(配管のサイズに合わせて切って使用ください。)

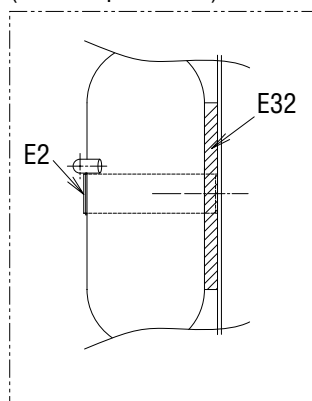
矢視A/B(View A/B)



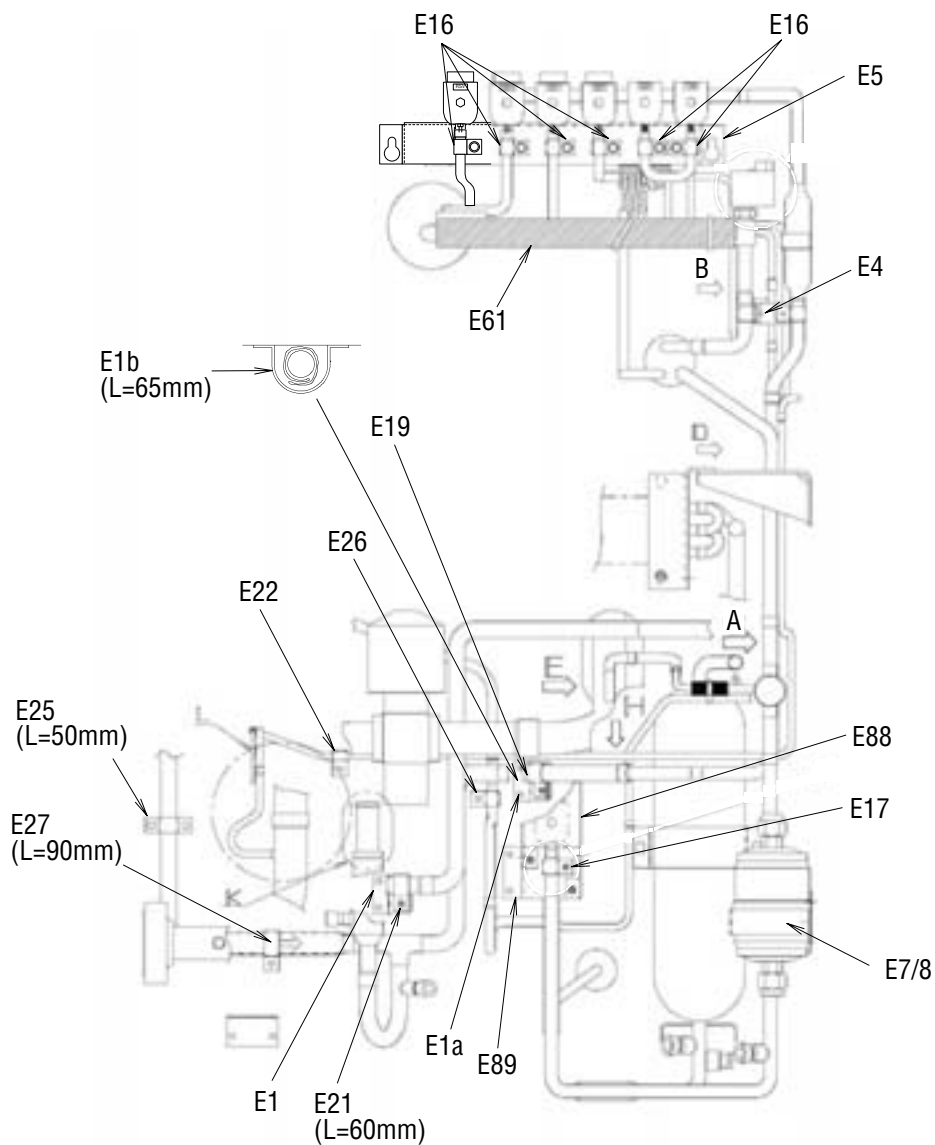
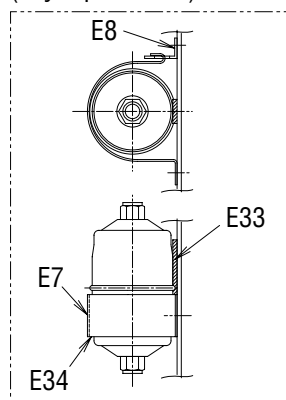
矢視D(View D)



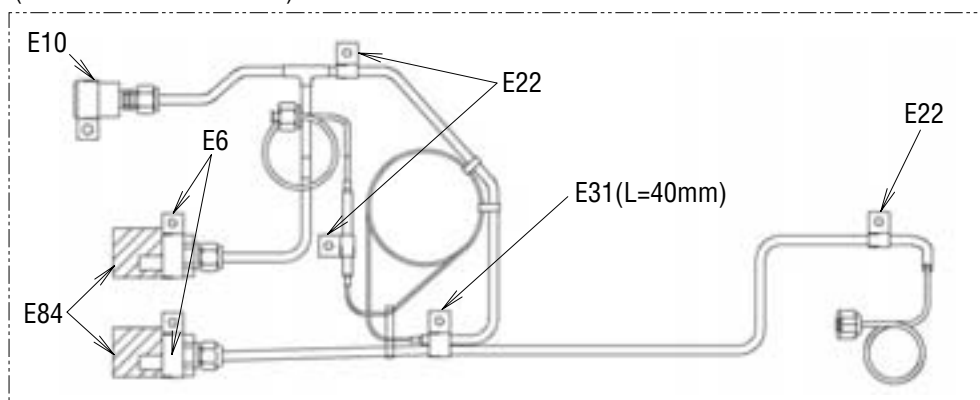
受液機器部詳細
(Receive part detail)



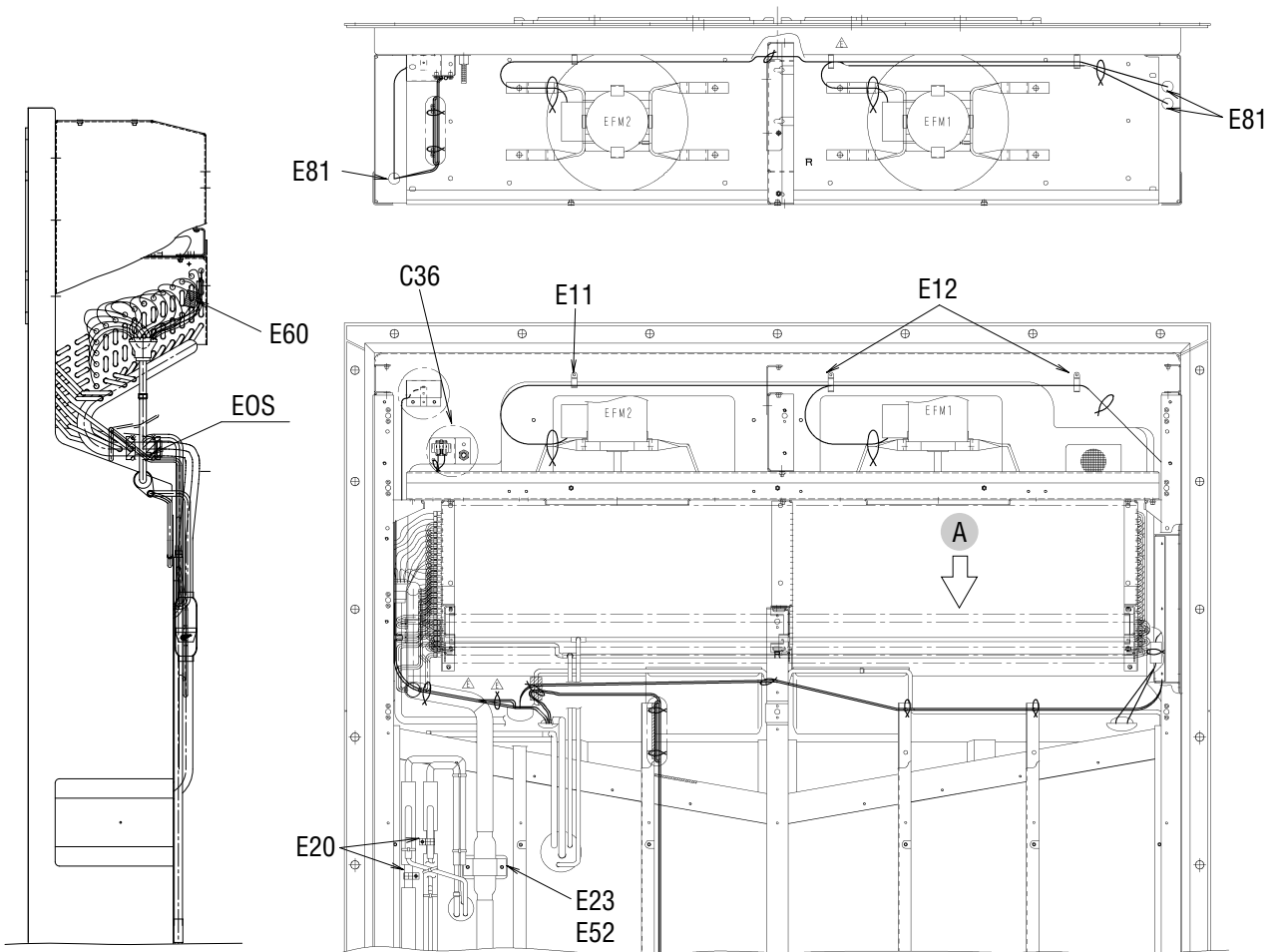
ドライヤー部詳細
(Dryer part detail)



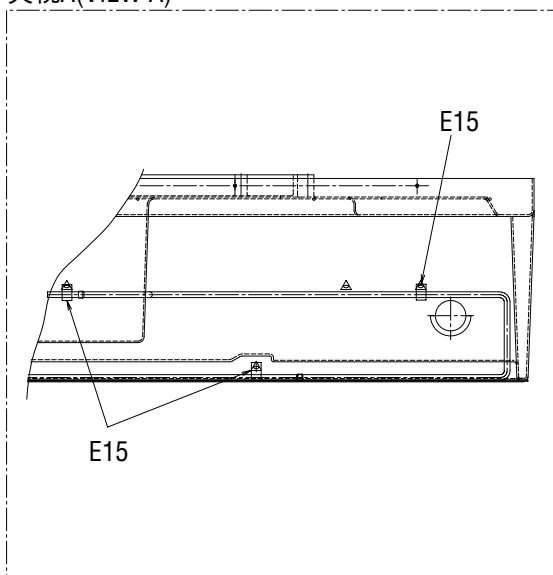
圧力センサー配管部詳細
(Pressure transducer detail)

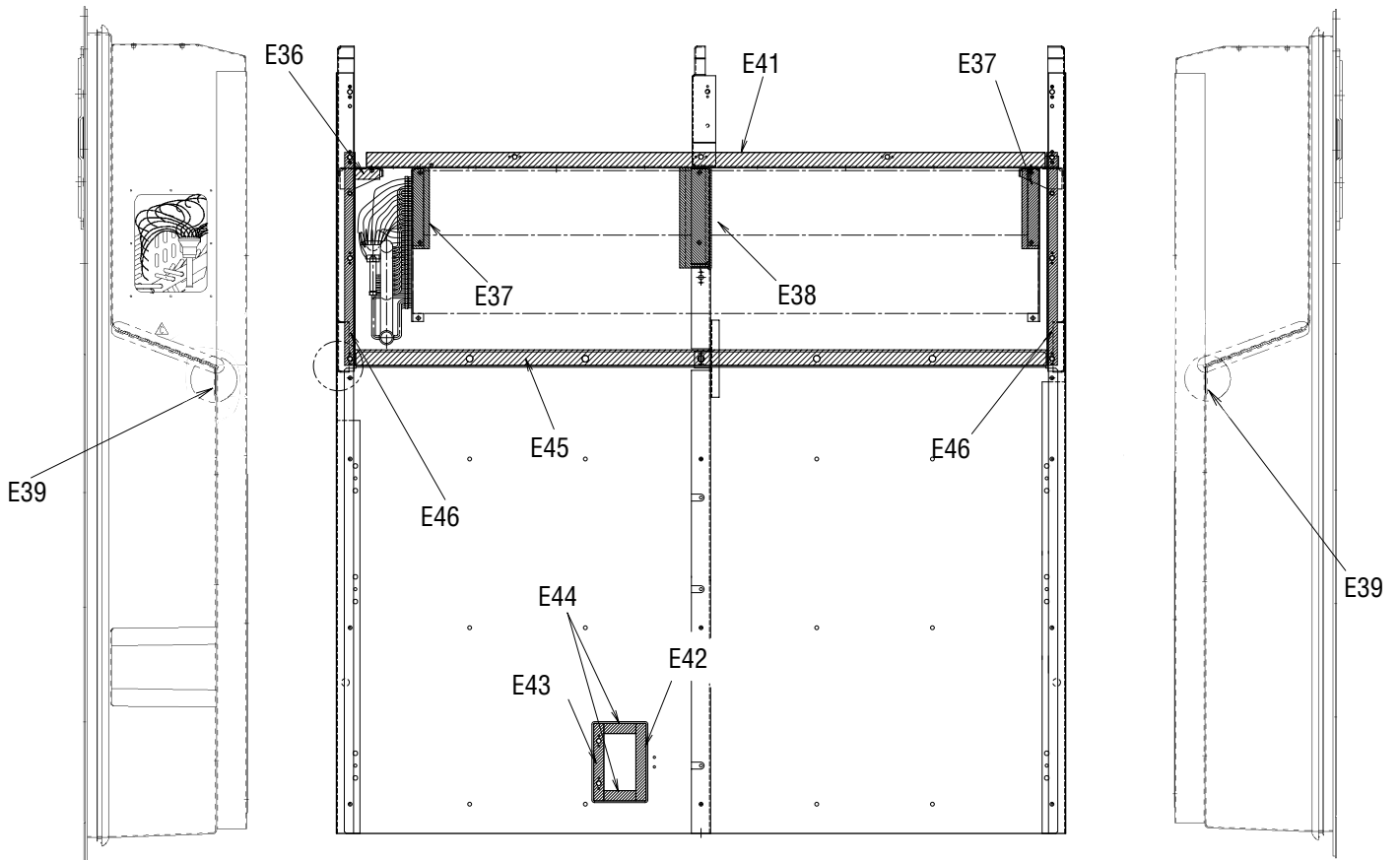
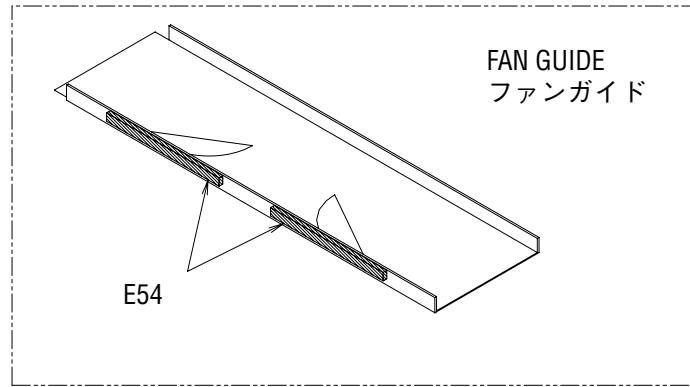


Other parts (Pipe clamp, sealing and insulation material etc.)
その他部品 (配管固定具、シール材、防熱材等)

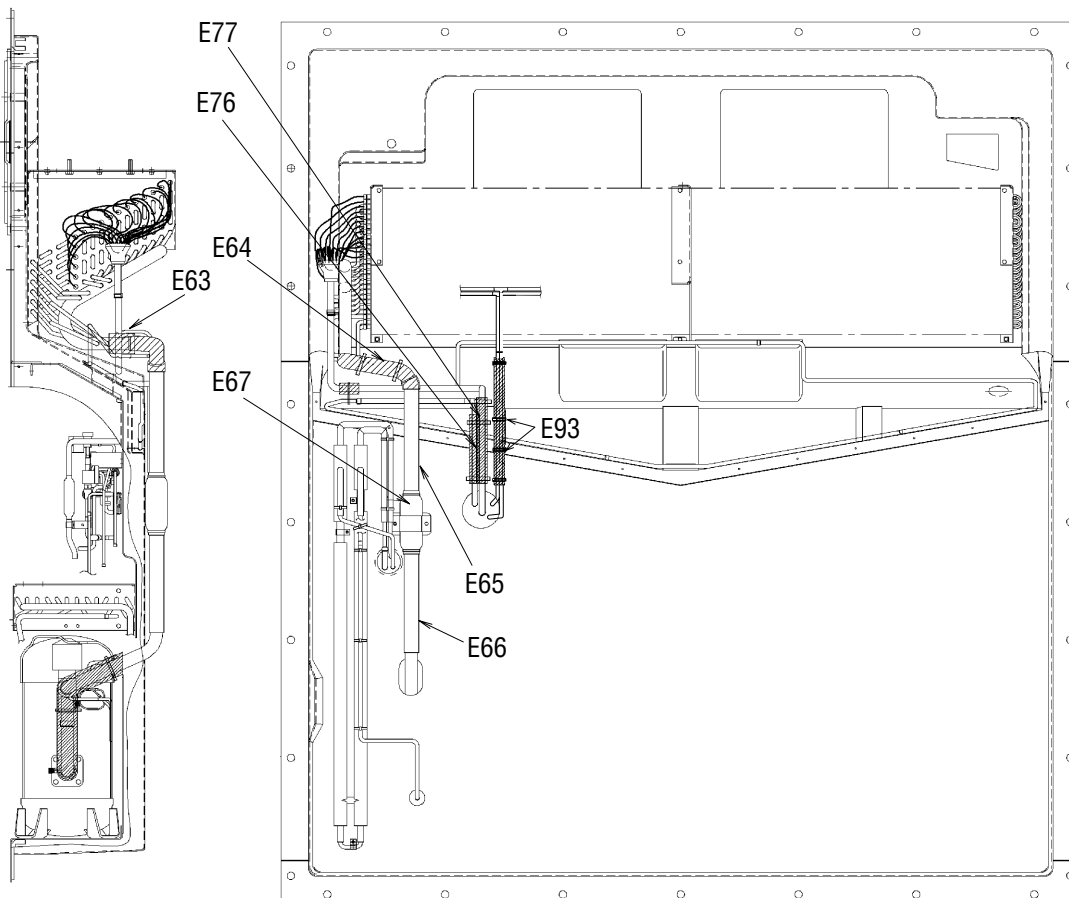
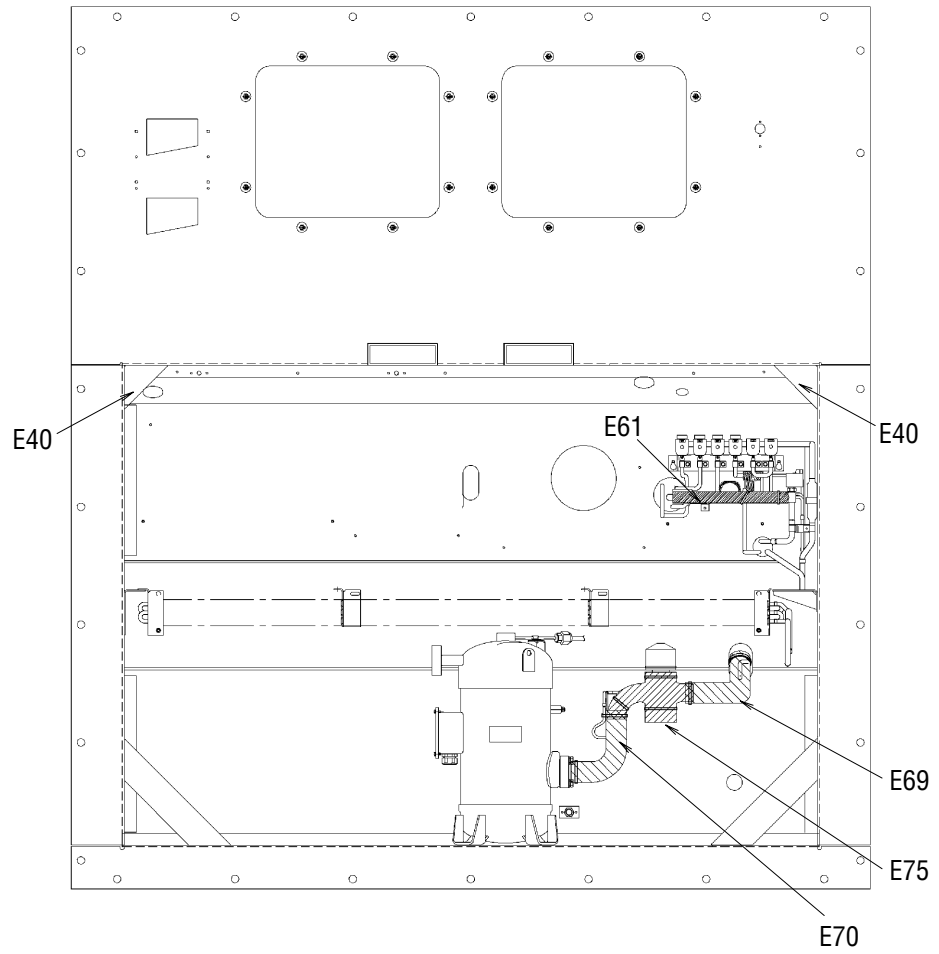


矢視A (VIEW A)





Other parts(Pipe clamp, sealing and insulation material etc.)
その他部品 (配管固定具、シール材、防熱材等)

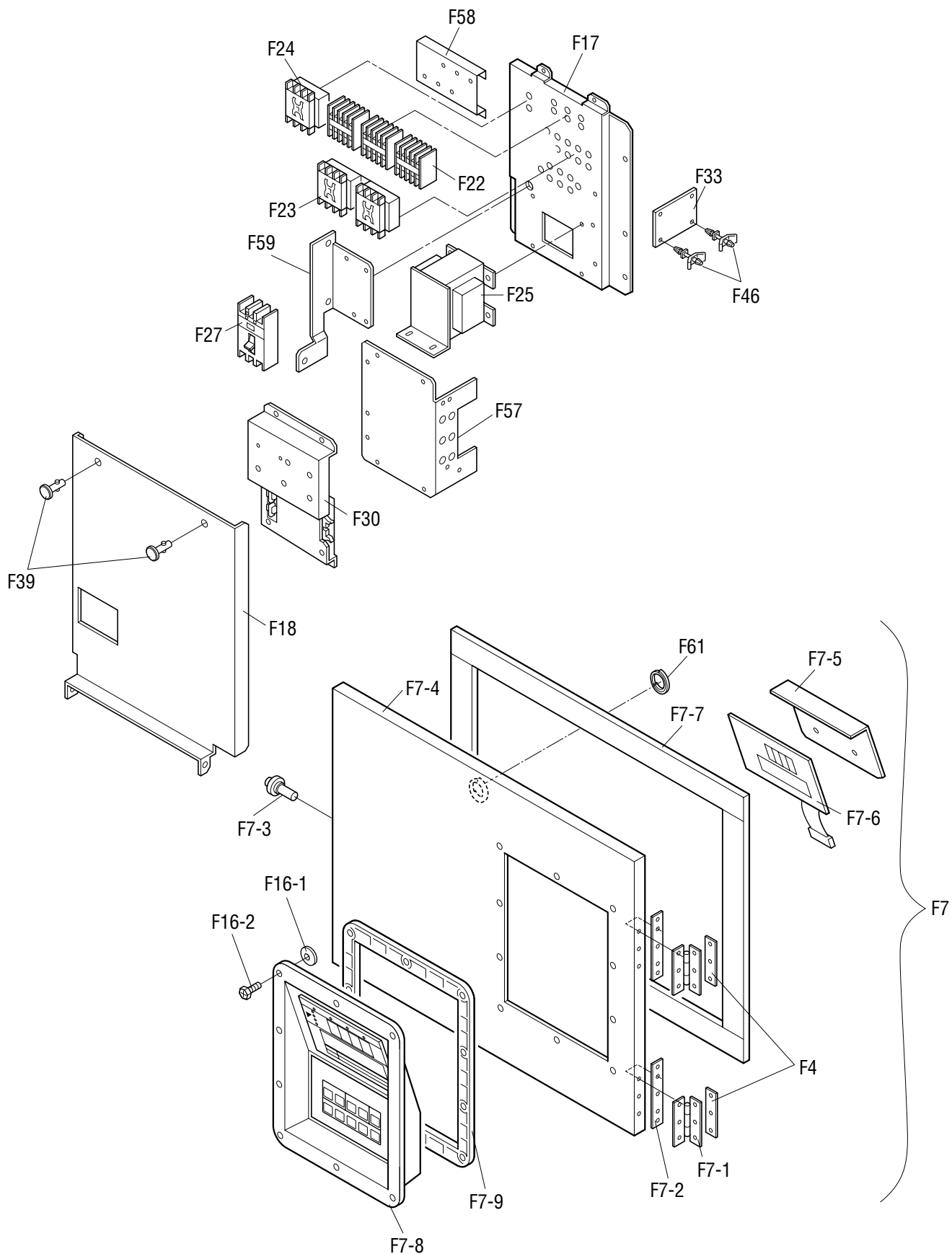


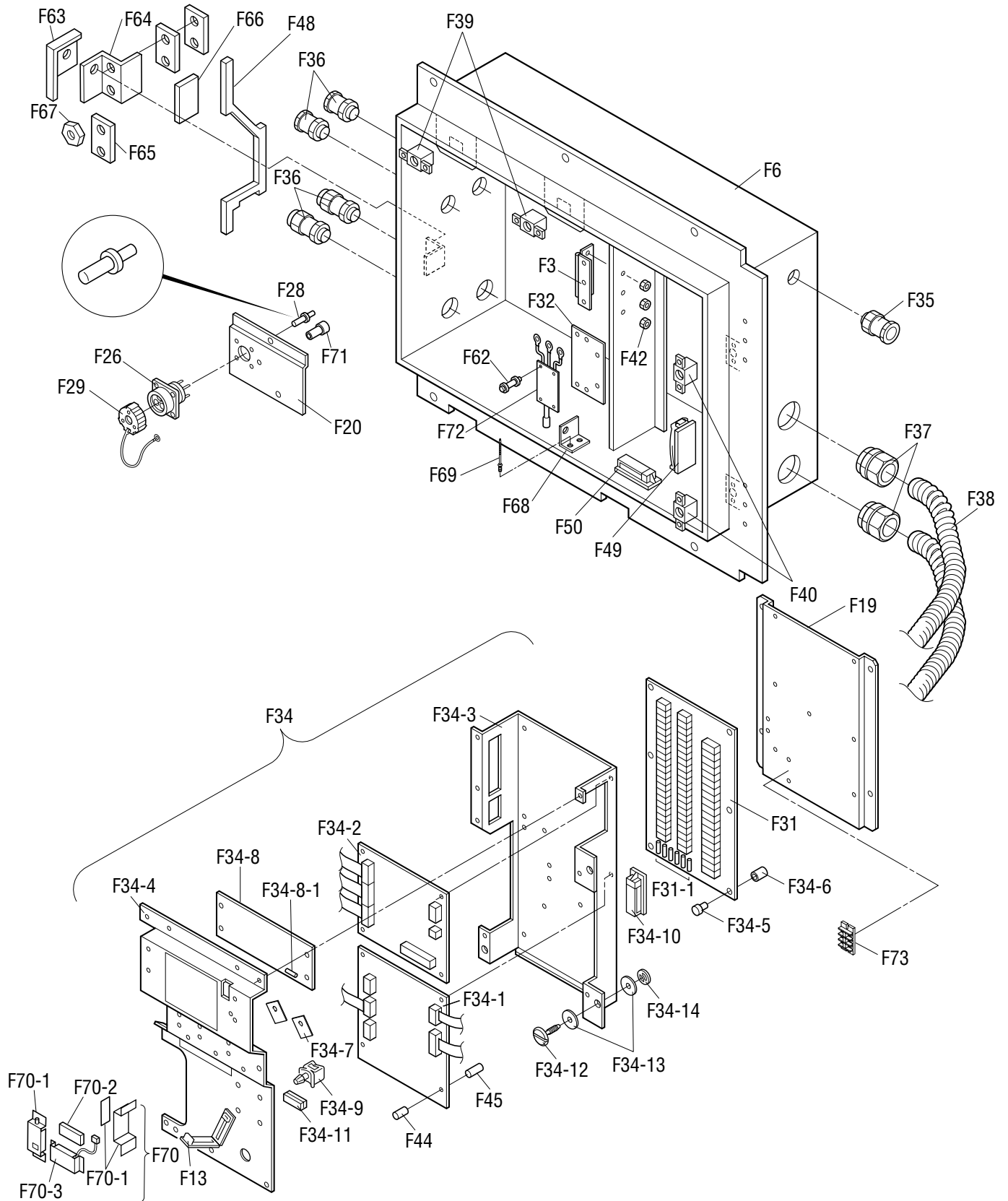
NO. 符号	INDEX	PARTS NO. 部品番号	PARTS NAME	部品名称	DWG. NO. 図面番号	TYPE SPECIFICATION 形式 仕様	QTY/UNIT			REMARKS 備考
							LXE10E-			
							A15BR	A15C	A15D	
E1		1266694	Set plate, discharge pipe	吐出配管取付板	4P079462-1		1	1	1	Page31
E1a		1485938	Mounting plate	吐出配管取付板 (2)	4P117351-1		1	1	1	Page31
E1b			Tube clamp	管止め金	4P005817-2				1	Page31
E2		1266702	Fixture plate, receiver	レシーバー固定具	4P011318-2	t1.5	1	1	1	Page31
E4		1612590	Pipe fixing plate	配管取付板組立品	4P148503-1		1	1		Page31
E4		1683972	Pipe fixing plate	配管取付板組立品 (MSL)	4P158750-1				1	Page31
E5		1605477	Set plate, HSV・DSV・BSV・RSV	HSV・DSV・BSV・RSV取付板組立品	4P148770-1		1	1	1	Page31
E6		1592425	Tube clamp	管止め金	NE31016-58		2	2	2	Page31
E7		1266764	Fitting band, dryer	ドライヤー取付バンド	4PA51194-1		1	1	1	Page31
E8		1266771	Set plate, dryer	取付板 (ドライヤ)	4P076788-1	t2.0	1	1	1	Page31
E10		1222764	Resin clamp	樹脂バンド	NE41015-9	MILK WHITE	1	1	1	Page31
E11		0944528	Resin clamp	樹脂バンド	NE41015-7	MILK WHITE	2	2	2	Page30,32
E12		0142492	Resin clamp	樹脂バンド	NE41015-10	MILK WHITE	2	2	2	Page32
E13		1266788	Resin clamp	樹脂バンド	NE41015-12	MILK WHITE	6	6	6	Page30
E14		0508162	Resin clamp	樹脂バンド	NE41015-3		1	1	1	Page24
E15		0782775	Tube clamp	管止め金	NE31016-51		13	11	13	Page32
E16		1584215	Nylon coating tube clamp	ナイロンコーティング管止め金	4P143802-51		6	6	6	Page31
E17		1584208	Nylon coating tube clamp	ナイロンコーティング管止め金	4P143802-52		1	1	1	Page31
E19		1584222	Nylon coating tube clamp	ナイロンコーティング管止め金	4P143802-54		1	1	1	Page31
E20		1386992	Tube clamp, double tube heat exch	二重管熱交換管止め金	4P103281-56		2	2	2	Page32
E21		0016290	Tube clamp	管止め金	NE31016-56		1	1	1	Page31
E22		1584239	Nylon coating tube holder	ナイロンコーティング管止め金	4P143802-71		4	4	4	Page31
E23		1266827	Fixing plate, filter	フィルタ固定具	4P071794-1	t1.5	1	1	1	Page32
E24		1386985	Tube clamp, double tube heat exch	二重管熱交換管止め金	4P103281-51		1	1	1	
E25		1266841	Tube clamp	管止め金 (2)	4P005817-2		1	1	1	Page31
E26		1584215	Nylon coating tube clamp	ナイロンコーティング管止め金	4P143802-51		2	2	2	Page31
E27		1266858	Tube clamp	管止め金	NE31016-59		2	1	2	Page31
E29		1584246	Nylon coating tube clamp	ナイロンコーティング管止め金	4P143802-59		1	1	1	Page31
E30		537320	Hose band	ホースバンド	R4716528-3		2	2	2	Page28
E31		1380970	Hot gas tube clamp	ホットガス管止め金	4PA43040-1		1	1	1	Page31
E32		1266889	Cushion rubber, pipe clamp	緩衝ゴム (管止用)	4P064896-1	t1.0	1	1	1	Page31
E33		1266896	Seal packing	シールパッキン	4P011314-1		1	1	1	Page31
E34		1270446	Dryer cushion rubber	ドライヤ緩衝ゴム	4PA53083-2		1	1	1	Page31
E35		1584253	Cushion rubber	緩衝ゴム	NE41013-3-300		1	1	1	
E36		1386947	Sealing material, evaporator frame	蒸発器受枠 (1) シール材	4P090149-1		1	1	1	Page33
E37		1266935	Packing(for evaporator)	パッキン (蒸発器)	4P063465-1		2	2	2	Page33
E38		1266942	Packing(for evaporator)	パッキン (蒸発器)	4P063465-2		1	1	1	Page33
E39		1381036	Packing	パッキン	4P095033-1		2	2	2	Page33
E40		1177369	Cushion rubber	仕切用ゴム	4P026657-1	t2.0	2	2		Page34
E41		1386954	Packing, fan guide	ファンガイドパッキン	3P090183-1		1	1	1	Page33

Other parts(Pipe clamp, sealing and insulation material etc.)

その他部品 (配管固定具、シール材、防熱材等)

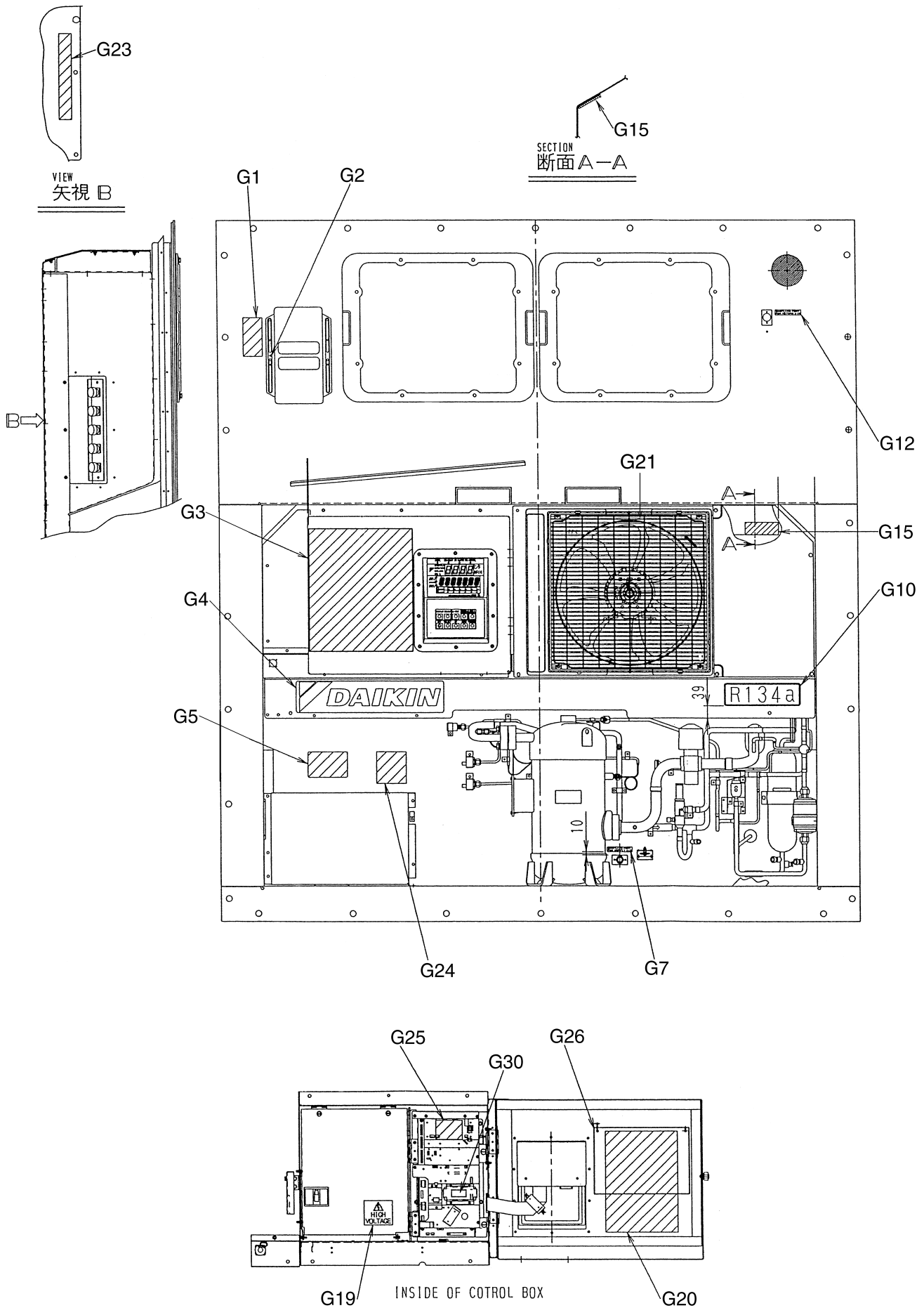
NO. 符号	INDEX	PARTS NO. 部品番号	PARTS NAME	部品名称	DWG. NO. 図面番号	TYPE SPECIFICATION 形式 仕様	QTY/UNIT			REMARKS 備考
							LXE10E-			
							A15BR	A15C	A15D	
E42		1266973	Sealing material(patch plate2)	シール材 (当板 2)	4P068964-1	t5.0	1	1	1	Page33
E43		1381043	Sealing materialL(patch plate3)	シール材 (当板 3)	4P095038-1		1	1	1	Page33
E44		1266997	Sealing material(patch plate1)	シール材 (当板 1)	4P068968-1	t5.0	2	2	2	Page33
E45		1267008	Sealing packing	シールパッキン	3P011293-1		1	1	1	Page33
E46		1267015	Packing (side stay)	パッキン (サイドステー)	4P074127-1	BLACK	2	2	2	Page33
E52		1584260	Cushion rubber	緩衝ゴム	NE41013-4-230		1	1	1	Page32
E54		1267060	Packing for prevention of air bypass	バイパス防止用パッキン	4P011733-1		2	2	2	Page33
E55		1267077	Packing for prevention of vibration	C A 前板ビビリ防止パッキン	4P050050-1		2	2	2	Page18
E57		1267091	Wiring protection bush	配線保護ブッシュ	4P023920-1	BLACK	2	2	2	Page24
E60		1267123	Thermal insulation tube piping	断熱筒配管緩衝材	4P011309-1		3	3	3	Page31,32
E61		1605460	Insulation tube EV outlet pipe	膨張弁出口配管防露筒	4P148629-1		1	1		Page31,34
E61		1683989	Insulation tube EV outlet pipe	膨張弁出口配管防露筒 (P & O)	4P170252-1				1	Page31,34
E63		1267154	Insulation tube, evaporater header	蒸発器ヘッダー防露筒	4P073525-1		1	1	1	Page34
E64		1267161	Cushion material suction pipe(1)	吸入配管緩衝材 (1)	3P073468-1		1	1	1	Page34
E65		1267178	Cushion material suction pipe (2)	吸入配管緩衝材 (2)	3P073468-2		1	1	1	Page34
E66		1267224	Cushion material suction pipe (3)	吸入配管緩衝材 (3)	3P073468-3		1	1	1	Page34
E67		1584378	Suction pipe	吸入配管断熱材	4P140007-1		1	1	1	Page34
E69		1267255	Thermal insulation tube	断熱筒 (吸入弁庫外側)	4P081186-1		1	1	1	Page34
E70		1267262	Thermal insulation tube	断熱筒 (圧縮機根元吸入弁)	4P081187-1		1	1	1	Page34
E72		1267286	Thermal insulation tube	断熱筒配管緩衝材	4P011309-3		1	1	1	
E73		1267293	Thermal insulation tube	断熱筒配管緩衝材	4P011309-4		2	2	2	Page30
E75		1448371	Suction solenoid valve insulator	吸入比例弁防熱材 (1)	2P079441-1		1	1	1	Page34
E76		1267325	Thermal insulation tube(drain outlet)	断熱筒 (ドレン入口管防露筒)	4P067126-1		1	1	1	Page34
E77		1485921	Thermal insulation tube	熱交入口管防露筒	4P117089-1		1	1	1	Page34
E78		1278921	Heat protection tie wrap	耐熱用タイラップ	4SA90202-1		7	7	5	
E79		0024640	Rubber bush	ゴムブッシュ	R3713279-3		2	2	5	Page30
E80		1267356	Rubber bush	ゴムブッシュ	R3713279-4		1	1	1	Page30
E81		0024640	Rubber bush	ゴムブッシュ	R3713279-3		3	3	5	Page32
E82		1267370	Rubber bush	ゴムブッシュ	R3713279-2		2	2	2	Page30
E83		1267387	U-packing	U P 字形パッキン	NA40014-4-500	L=500	1	1	1	Page30
E84	B	1605509	Heat shrinkable tube	熱収縮チューブ	4P151322-1		2	2	2	Page31
E86	B	1270453	Heat shrinkable tube	熱収縮チューブ	4P075241-1		1	1	1	
E87	B	1497070	Thermal insulation tape, no-dry	不乾性形断熱テープ	3SA90101-3-KA		3	3	3	
E88		1494925	LSV cover	液電磁弁カバー	4P093386-1		1	1		Page31
E88		1667297	LSV cover	液電磁弁カバー	4P164903-1				1	Page31
E89		1270484	Mounting plate, solenoid valve	取付板	4P082208-1		1	1		Page31
E89		1656165	Mounting plate	液電磁弁・サブライセンサ固定板 (カバー有)	4P165877-1				1	Page31
E90		1381012	Protection rubber	保護ゴム	4PA43128-1		7	7	7	Page31
E91		1448388	Suction flange	吸入フランジシール材	4P083248-1		1	1	1	Page30
E93		1381029	Thermal insulation tube	レヒートコイル出入口連絡配管防露筒	4P102857-1		2	2	2	Page34

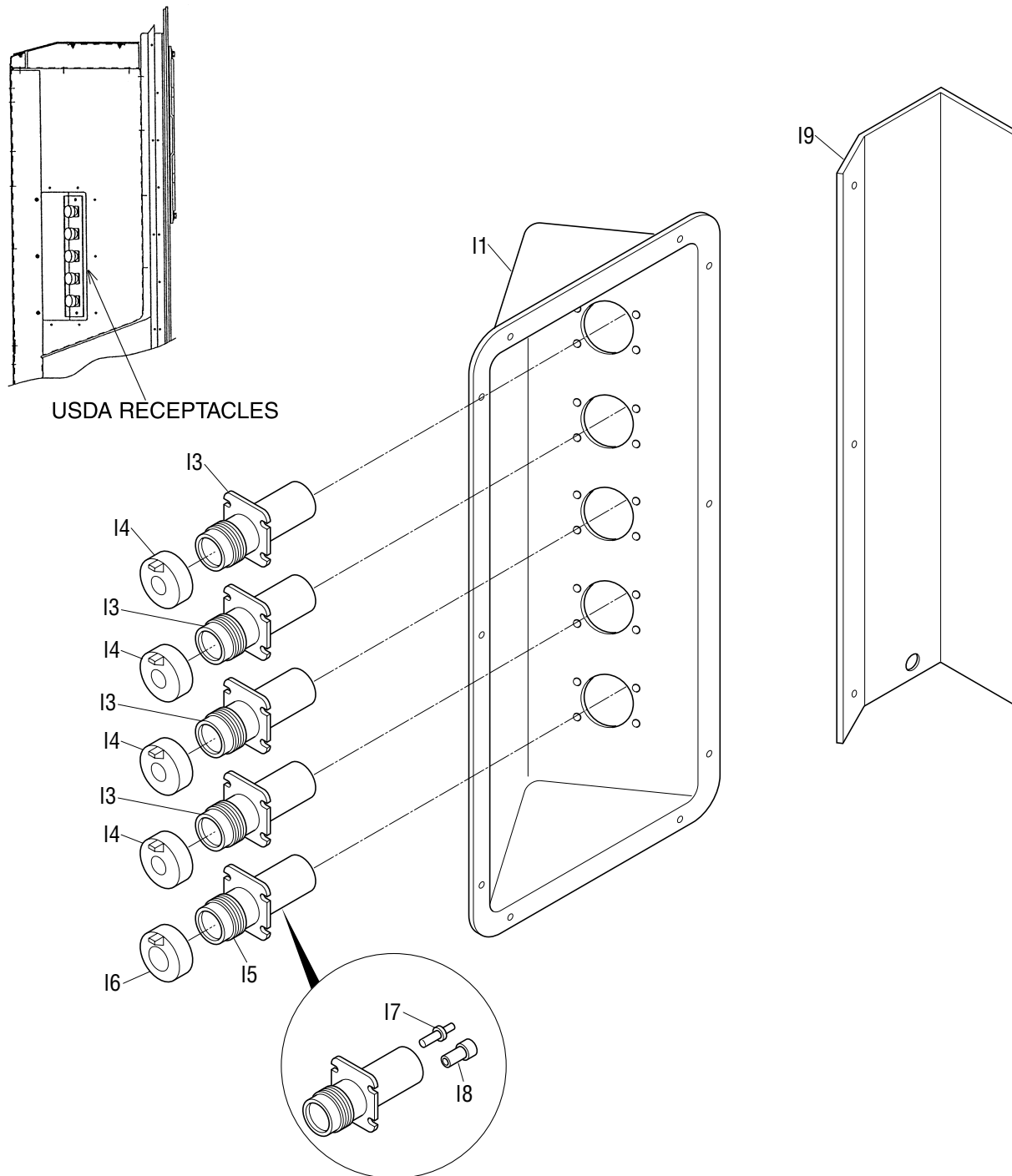


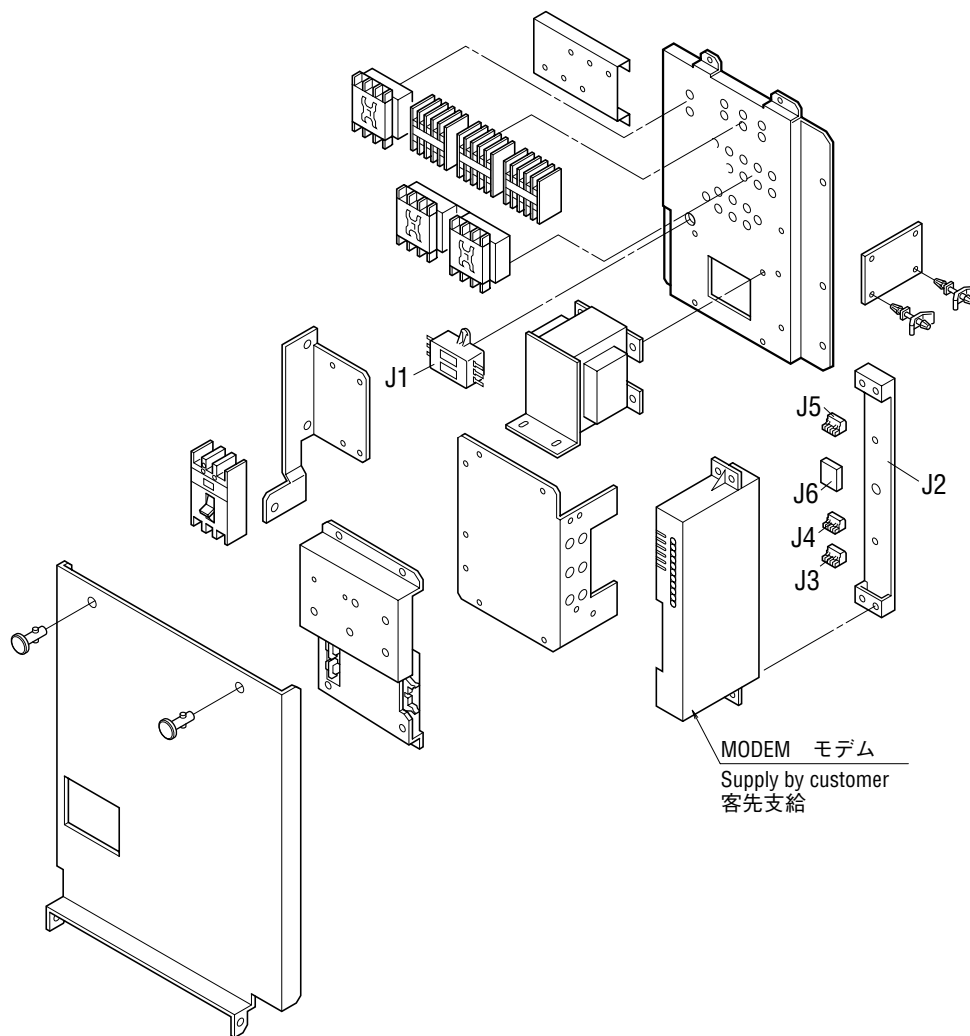


NO. 符号	INDEX	PARTS NO. 部品番号	PARTS NAME 部品名称	DWG. NO. 図面番号	TYPE SPECIFICATION 形式 仕様	QTY/UNIT			REMARKS 備考	
						LXE10E-				
						A15BR	A15C	A15D		
F3		1136407	Hinge(recorder/box cover)	平蝶番 (レコーダボックス蓋)	4P021346-1		2	2	2	
F4		1136414	Patch plate nut	当板ナット	4P044898-2		2	2	2	
F6		1622496	C.BOX welding ass'y	コントロールボックス溶接組立品	2P098553-4		1	1	1	
F7	C	1600636	C.BOX cover ass'y	コントロールボックス蓋組立品	2P147871-6		1	1	1	Refer to Page52
F7-1		1136407	Hinge(recorder/box cover)	平蝶番 (レコーダボックス蓋)	4P021346-1		2	2	2	
F7-2		1136414	Patch plate nut	当板ナット	4P044898-2		2	2	2	
F7-3		0907093	Roller, quick lock lever	ワンタッチ金具用ローラ	4PA51277-1		1	1	1	
F7-4		1587841	C.BOX cover welding ass'y	コントロールボックス蓋溶接組立品	3P085038-5		1	1	1	
F7-5		1267457	Operation display cover	操作表示カバー	3P078251-1	t1.0	1	1	1	
F7-6	A	1010815	Display board	表示基板	2P010368-2		1	1	1	
F7-7		1381081	Rubber gasket	ゴムガスケット (C. BOX蓋用パッキン)	4P085198-1		1	1	1	
F7-8	A	1295553	Control panel (with sheet key)	コントロールパネル (シートキー付)	3P085319-1		1	1	1	
F7-9		1128949	Packing	パッキン (樹脂パネル)	3P030317-1		1	1	1	
F13		1136539	Clamp	クランプ金具	4P015574-2		2	1	2	
F16-1		0907062	Seal washer	シール座金 (ボンテッド座金)	4PA21941-5		10	10	10	
F16-2		1267488	Pan head machine screw	アプセット小ネジ	4P067677-1	M5×16	10	10	10	
F17		1387197	Set plate (1)	機器取付板 (1)	2P095432-1		1	1	1	
F18		1267503	Blind plate (2)	機器取付板 (2)	2P078296-1	t1.2	1	1	1	
F19		1381098	Mounting plate, terminal board	端子台基板取付板	3P090389-1		1	1	1	
F20		1630916	PC port fixing plate	樹脂製パソコンポート固定具 (PPR5・無)	2P154325-4		1	1	1	
F22	A	119893J	Magnetic contactor(for Fans)	電磁接触器 (ファン用)	3P055568-1	24V PAK-6J31C	3	3	3	
F23	A	124149J	Magnetic contactor(Phase correction contactor)	相順切換電磁接触器 (PCC)	3P071508-3	24V RSK-35J	1	1	1	
F24	A	119891J	Magnetic contactor(Compressor)	電磁接触器 (圧縮機)	3P055566-1	24V PAK35J-S536	1	1	1	
F25	C	1562796	Low frequency transformer	低周波変圧器	3P139293-1		1	1	1	
F26	C	1381113	PC port connector	パソコンポートコネクタ	3P073218-1		1	1	1	
F27	A	1381120	Earth leakage circuit breaker	漏電遮断器	3P093326-1		1	1	1	
F28	C	1141144	Contact, receptacle	コンタクト、レセプタクル用	3P010806-1	HD10	6	3	3	
F29		1381137	PC port connector ass'y	パソコンポートカバー組立品	3P010743-2		1	1	1	
F30	A	0991050	PT/CT board	PT/CTボード	2P017810-1		1	1	1	
F31	A	1256116	Terminal strip board	端子台基板	2P078284-1		1	1	1	
F31-1		0030652	Fuse, control	制御用フーズ	4SA42006-4		6	6	6	
F33	A	0329679	Reverse phase protector	逆相保護装置 (RPP)	3SA42153-1	346-440V	1	1	1	
F34		1645747	Controller assemblies	コントローラ組立品	3P161732-2		1	1	1	
F34-1		1642553	PCB ass'y	プリント基板組立品	2P161091-2		1	1	1	
F34-2	A	0954594	I/O board ass'y	I/Oボード	2P010367-1		1	1	1	
F34-3		1381151	Bottom plate(sheet metal)	コントローラ底板	2P098577-1		1	1	1	
F34-4	B	1381168	Controller cover	蓋 (コントローラ)	2P099967-1		1	1	1	
F34-5		1099940	Support bushing, PCB	プリント基板サポートブッシュ	MI49531-11		14	14	14	
F34-6		1099957	Support color, PCB	プリント基板サポートカラー	MI49531-13		14	14	14	
F34-7		1267572	Rubber transistor	放熱用ゴムトランジスタ	4P005330-1		2	2	2	

NO. 符号	INDEX	PARTS NO. 部品番号	PARTS NAME	部品名称	DWG. NO. 図面番号	TYPE SPECIFICATION 形式 仕様	QTY/UNIT			REMARKS 備考
							LXE10E-			
							A15BR	A15C	A15D	
F34-8	A	1250783	PC board for suction modulating valve	プリント基板組立品(吸入制御弁用)	3P065441-1	EC0058	1	1	1	
F34-8-1	A	044543J	Fuse, control	制御用ヒューズ	4SA42006-3		1	1	1	
F34-9		1267596	Locking wire saddle	ロッキングワイヤサドル	4P015570-2	LWS	3	3	3	
F34-10		1267604	Flat cable clamp	フラットケーブルクランプスナップタイプ	4P015573-1		1	1	1	
F34-12		1267611	Speed bolt	スピードボルト (M6)	4P048680-3	M6X20(S)	2	2	2	
F34-13		860005	Washer, speed bolt	スピードボルト用座金	R4713334		4	4	4	
F34-14		840002	Drop out prevention washer	脱落防止座金	R4718607-6		2	2	2	
F35		1267628	Wire(wire ground)	電線 (電線グラウンド)	4P067662-1		1	1	1	
F36		1267635	Wire (wire ground)	電線 (電線グラウンド)	4P067663-1		4	4	4	
F37		1635346	Flexible tube(resin)	樹脂製フレキシブル管用グラウンド	4P157387-1		2	2	2	
F38		1635353	Flexible tube(resin)	樹脂製フレキシブル管	4P157410-1		2	2	2	
F39		1267666	Quick fastener	クイックファスナー	4P064642-1		2	2	2	
F40		860015	Universal nut	自在ナット	R4713188-1		2	2	2	
F42		833302	Nylon nut	ナイロンナット	R4716460-1	M4	4	4	4	
F44		1099940	Support bushing, PCB	プリント基板サポートブッシュ	MI49531-11		7	7	7	
F45		1099957	Support color, PCB	プリント基板サポートカラー	MI49531-13		7	7	7	
F46		981616	Locking card spacer	ロッキングカードスペーサー	R3428091-3	KGLS-8S	4	4	4	
F48		1326820	Packing (C.BOX front plate)	パッキン (C. BOX 前板)	4P085513-1		1	1	1	
F49		1136539	Clamp	クランプ金具	4P015574-2		2	2	2	
F50		1267712	Clamp	クランプ金具	3P049495-1		2	1	1	
F57		1549894	Sset plate (PT/CT board)	機器取付板 (PT/CT ボード)	3P126713-1		1	1	1	
F58		1267781	Mounting plate, elect components	電装品取付板	4P064227-1	t=1.2	1	1	1	
F59		1549902	Set plate (breaker)	機器取付板 (ブレーカ)	3P126712-1		1	1	1	
F61		1295623	Fixtture(instruction ring)	固定具 (インストラクションリング)	4P064698-1	Wire diameter	1	1	1	
F62		1381175	Circuit board spacer	サーキットボードスペーサ	4P000347-1		4	4	4	
F63		1295630	Lever	ワンタッチ金具	4P085171-1		1	1	1	
F64		1295647	Fixing plate for lever	ワンタッチ金具取付板	4P085164-1		1	1	1	
F65		0907125	Sealed sheet	絶縁シート (ワンタッチ金具)	4PA52417-1	t0.075±0.01	1	1	1	
F66		0907132	Sealed sheet	絶縁シート (ワンタッチ金具)	4PA52417-2	t0.075±0.01	1	1	1	
F67		833301	Nylon nut	ナイロンナット	R4716460-3	M6	3	3	3	
F68		1562859	Implent use cover mounting plate	機器カバー取付板	4P095433-1		1	1	1	
F69		1378441	Rivet	リベット	4P057425-2		2	2	2	
F70	A	1378162	Chargeble battery ass'y	充電器組立品	2P103790-1		1	1	1	
F70-1		1381182	Chargeble battery PCB ass'y	充電P板組立品	2P103790-1-KA		1	1	1	
F70-2		1381207	Chargeable battery	チャージャブルバッテリー	2P103790-1-KI		1	1	1	
F70-3		1381214	Battery holder	電池ホルダ	2P103790-1-KU		1	1	1	
F71		1381221	Wire harness	平行ピン (ドイツ製シールピン)	3P040139-1		2	2	2	
F72	A	0927770	Humidty sensor (HUS)	湿度センサー	3PA61738-1	RHU-600A-DI	1	1	1	
F73		1076187	Terminal block	端子台	3SA44010-3-KA		1	1	1	

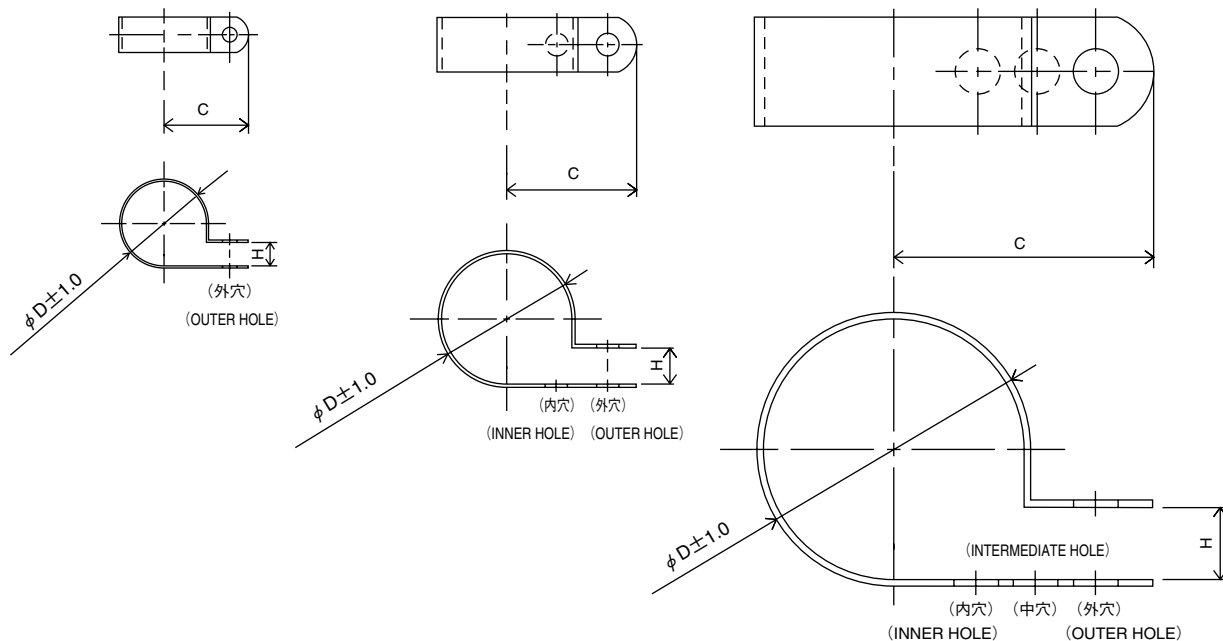






1. Resin clamp

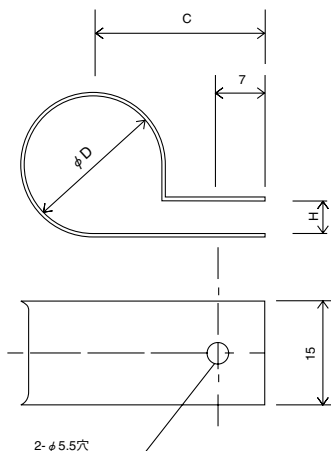
1. 樹脂バンド



NO. 符号	PARTS NO. 部品番号	PARTS NAME	部品名称	DWG NO. 図面番号	SIZE サイズ			QTY/UNIT	
					D	C	H	LXE10E-	
								A15BR	A15C
E10	1222764	Resin clamp	樹脂バンド	NE41015-9	26.9	27.8	7.9	1	1
E11	0944528	Resin clamp	樹脂バンド	NE41015-7	19.8	24.6	7.9	2	2
E12	0142492	Resin clamp	樹脂バンド	NE41015-10	29.2	29.4	7.9	2	2
E13	1266788	Resin clamp	樹脂バンド	NE41015-12	39.4	34.2	9.5	6	6
E14	0508162	RESIN CLAMP	樹脂バンド	NE41015-3	8.4	16.7	4.8	1	1

2. Tube clamp

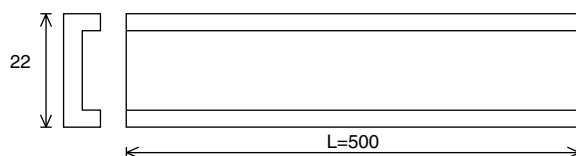
2. 管止金



NO. 符号	PARTS NO. 部品番号	PARTS NAME	部品名称	DWG NO. 図面番号	SIZE サイズ			QTY/UNIT		
					D	C	H	LXE10E-		
								A15BR	A15C	A15D
E6	1592425	Tube clamp	管止め金	NE31016-58	24	27	5	2	2	2
E15	0782775	Tube clamp	管止め金	NE31016-51	10	20	3	13	11	13
E16	1584215	Nylon coating tube clamp	ナイロンコーティング管止め金	4P143802-51	10	20	3	6	6	6
E17	1584208	Nylon coating tube clamp	ナイロンコーティング管止め金	4P143802-52	12	21	3	1	1	1
E19	1584222	Nylon coating tube clamp	ナイロンコーティング管止め金	4P143802-54	16	23	4	1	1	1
E21	0016290	Tube clamp	管止め金	NE31016-56	20	25	5	1	1	1
E22	1584239	Nylon coating tube holder	ナイロンコーティング管止め金	4P143802-71	6.4	20	1	4	4	4
E26	1584215	Nylon coating tube clamp	ナイロンコーティング管止め金	4P143802-51	10	20	3	2	2	2
E27	1266858	Tube clamp	管止め金	NE31016-59	26	28	5	2	1	2
E29	1584246	Nylon coating tube clamp	ナイロンコーティング管止め金	4P143802-59	26	28	5	1	1	1

3. Cushion rubber for pipe clamp

3. 管止金用緩衝ゴム



NO. 符号	PARTS NO. 部品番号	PARTS NAME	部品名称	DWG NO. 図面番号	QTY/UNIT			REMARKS 備考
					LXE10E-			
					A15BR	A15C	A15D	
E35	1584253	Cushion rubber	管止金用緩衝ゴム	NE41013-3-300	1	1	1	Cut to suit pipe size. 配管サイズに合わせて切 って使用のこと

1. Parts recommended to be ordered together with packing, gasket, sealing material and name plate
1. 発注の際にパッキングやシール材、銘板等の同時発注を推奨する部品

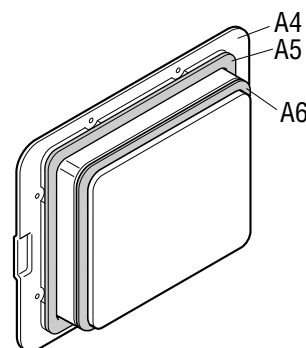
For ordering following spare parts, we recommend that you order the following packing, gasket, sealing material and name plate together at the same time.

上記のサービス扉やボックスカバーを発注の際には、下記のパッキングを同時に発注することをおすすめします。

(1) Service door

(1) サービス扉

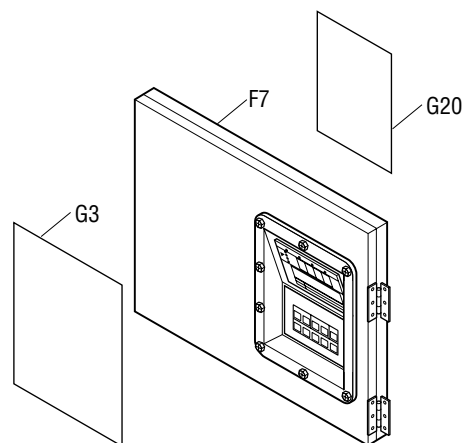
NO. 符号	PARTS NO. 部品番号	PARTS NAME	部品名称	DWG NO. 図面番号	QTY/UNIT		
					LXE10E-		
					A15BR	A15C	A15D
A4	1612576	Access panel (FRP)	サービス扉組立品	1P006678-5	2	2	2
A5	1266207	Cushion material (access panel)	クッション材 (サービス扉)	3P033608-1	2	2	2
A6	1196113	Sealing material (access panel)	シール材 (サービス扉)	3P001640-2	2	2	2



(2) Control box cover

(2) コントロールボックスカバー

NO. 符号	PARTS NO. 部品番号	PARTS NAME	部品名称	DWG NO. 図面番号	QTY/UNIT		
					LXE10E-		
					A15BR	A15C	A15D
F7	1600636	C.BOX cover ass'y	コントロールボックス蓋組立品	2P147871-6	1	1	1
G3	1557042	Name plate, operation	操作銘板 (C&MODE, 英)	1P103584-1		1	1
G3	1646081	Name plate, operation	操作銘板	1P163749-1	1		
G20	1381377	Electriv wiring diagram label	電気配線図銘板	2D038053-1	1	1	1



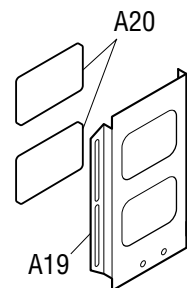
※Rubber gasket, sheet key is attached to control box cover ass'y.

※ゴムガスケットとシートキーはコントロールボックス組立品に付属しています。

(4) Ventilation cover

(4) 換気口蓋

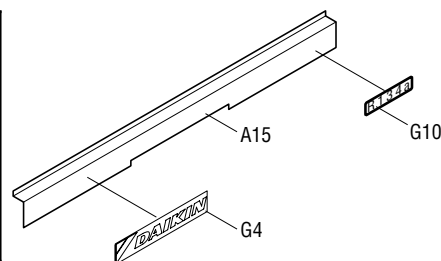
NO. 符号	PARTS NO. 部品番号	PARTS NAME	部品名称	DWG NO. 図面番号	QTY/UNIT		
					LXE10E-		
					A15BR	A15C	A15D
A19	0981060	Ventilation cover	換気口蓋	3P003175-1	1	1	1
A20	1266221	Sealing material (access panel)	シール材 (換気口)	4P016185-1	2	2	2



(5) Front plate (CA)

(5) 前板 (CA)

NO. 符号	PARTS NO. 部品番号	PARTS NAME	部品名称	DWG NO. 図面番号	QTY/UNIT		
					LXE10E-		
					A15BR	A15C	A15D
A15	1270338	Front plate (CA)	前板 (C A)	2P061345-1	1	1	1
G4	1306530	Brand name label	意匠銘板	4P085985-1	1	1	1
G10	1178843	Name plate, refrigerant	冷媒銘板	3P009750-1	1	1	1



2. Order for motorized valve, solenoid valve and pressure regulating valve

2. 電動弁・電磁弁・圧力調整弁の発注

Refer to the following table for the name, main body, solenoid coil and ass'y of solenoid valves etc. applied to this model.

この機種に使用されている電磁弁等の名称と本体・コイル・組立品は下記のとおりです。

	Body/Coil 本体/コイル	NO. 符号	PARTS NO. 部品番号	PARTS NAME 部品名称		DWG NO. 図面番号	QTY/UNIT			Common Parts 共通部品			
							LXE10E-			NEV-803DXF	NEV-202DXF	VPV-803PQ50	NEV-MOAB507C1
							A15BR	A15C	A15D				
1.EV	本体 Body	B7-3	125649J	Electronic expansion valve body	電子膨張弁本体	2SA50010-2-KU	1	1	1				
	コイル Coil	B20	138143J	Electronic expansion valve coil	電子膨張弁コイル	2P010454-2	1	1					
2.HSV	本体 Body	B7-4	0944566	Hot gas solenoid valve body	ホットガス電磁弁本体	R3305118-1	1	1		○			
	コイル Coil	B7-4	1411533	Hot gas solenoid valve body	ホットガス電磁弁本体	3SA52069-1			1			○	
3.DSV	本体 Body	B7-4	0944566	Defrost bypass solenoid valve body	デフロストバイパス電磁弁本体	R3305118-1	1	1		○			
	コイル Coil	B7-4	1411533	Defrost bypass solenoid valve body	デフロストバイパス電磁弁本体	3SA52069-1			1			○	
4.BSV	本体 Body	B7-4	0944566	Gas bypass solenoid valve body	ガスバイパス電磁弁本体	R3305118-1	1	1		○			
	コイル Coil	B7-4	1411533	Gas bypass solenoid valve body	ガスバイパス電磁弁本体	3SA52069-1			1			○	
5.RSV	本体 Body	B7-4	0944566	Reheat coil bypass solenoid valve body	レヒートコイルバイパス電磁弁本体	R3305118-1	1	1		○			
	コイル Coil	B7-4	1411533	Reheat coil bypass solenoid valve body	レヒートコイルバイパス電磁弁本体	3SA52069-1			1			○	
6.EV	本体 Body	B7-5	0955287	Hot gas solenoid valve coil	ホットガス電磁弁コイル	3P010453-1	1	1	1				○
	コイル Coil	B7-5	0955287	Hot gas solenoid valve coil	ホットガス電磁弁コイル	3P010453-1	1	1	1				○
7.ISV	本体 Body	B7-4	0944566	Reheat coil bypass solenoid valve body	レヒートコイルバイパス電磁弁本体	R3305118-1	1	1		○			
	コイル Coil	B7-4	1411533	Reheat coil bypass solenoid valve body	レヒートコイルバイパス電磁弁本体	3SA52069-1			1			○	
8.LSV	本体 Body	B7-6	0088738	Economizer solenoid valve body	エコノマイザー電磁弁本体	R3305099-1-KI	1	1	1	○			
	コイル Coil	B7-6	0088738	Economizer solenoid valve body	エコノマイザー電磁弁本体	3P010453-1	1	1	1				○
9.SMV	本体 Body	B7-6	0088738	Injection solenoid valve body	インジェクション電磁弁本体	R3305099-1-KI	1	1	1	○			
	コイル Coil	B7-6	0088738	Injection solenoid valve body	インジェクション電磁弁本体	3P010453-1	1	1	1				○
10.DPR	本体 Body	B7-5	0955287	Hot gas solenoid valve coil	ホットガス電磁弁コイル	3P010453-1	1	1	1				○
	コイル Coil	B7-5	0955287	Hot gas solenoid valve coil	ホットガス電磁弁コイル	3P010453-1	1	1	1				○
9.SMV	組立品 Ass'y	B8-1	1254538	Suction modulating Valve	吸入比例弁組立品	2P078385-1	1	1	1	Note1 注1			
10.DPR	組立品 Ass'y	B3-4	1241361	Discharge pressure regulating valve	吐出圧力調整弁	3P074558-1	1	1	1				

Note 1 : Refer Page 20, 21 and 22 for detail parts of suction modulating valve.

注 1 : SMV (吸入比例弁) の詳細部品はP.20、21、22を参照ください。

Note 2 : Difference of solenoid valve No.1266290 and 0955287.

No.1266290 (3P010453-2) : Lead wire length 1550mm (TYPE NEV-MOAB518C1)

No.0955287 (3P010453-1) : Lead wire length 2000mm (TYPE NEV-MOAB507C1)

注 2 : 電磁弁No.1266290とNo.0955287の違い。

No.1266290 (3P010453-2) : リード線長さ1550mm (型式 NEV-MOAB518C1)

No.0955287 (3P010453-1) : リード線長さ2000mm (型式 NEV-MOAB507C1)

3. Order for pressure trasducer

3. 圧力センサーの発注

Refer to the following table for the pressure transducer applied to this model.

For ordering pressure transducer, we recommend that you order the following best shrinkable tube together at the same time.

この機種に使用している圧力センサーは下記の通りです。

圧力センサー発注の際は、下記の熱収縮チューブを同時に発注することをおすすめします。

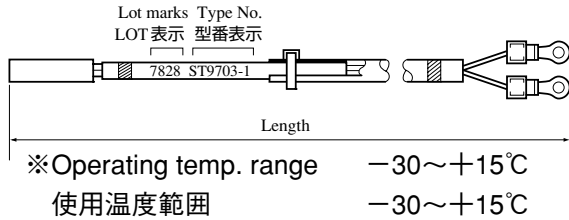
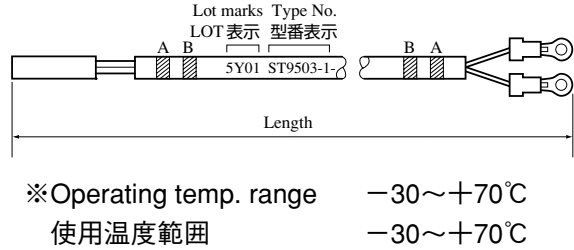
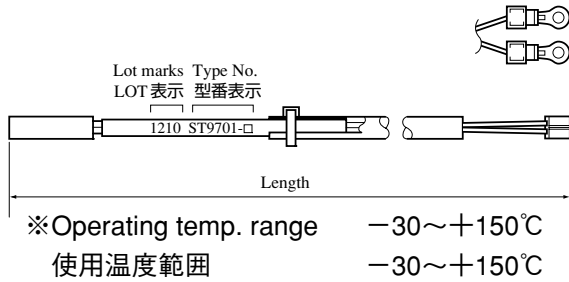
NO. 符号	PARTS NO. 部品番号	PARTS NAME	部品名称	DWG NO. 図面番号	QTY/UNIT			TYPE 形式	REMARKS 備考
					LXE10E-				
					A15BR	A15C	A15D		
B16	1587959	High pressure transducer (HPT)	高压圧力センサ (HPT)	3P141602-1	1	1	1	SPCH01	
B15	1587942	Low pressure transducer (LPT)	低压圧力センサ (LPT)	3P141601-1	1	1	1	SPCL02	
E84	1605509	Heat shrinkable tube	熱収縮チューブ	4P151322-1	2	2	2		Must be applied when replacing above sensors. 上記圧力センサー交換時使用の事。

4. Order for temperature sensor

4. 温度センサーの発注

Refer to the following table for temperature sensors applied to this model.

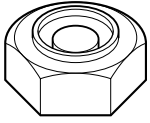
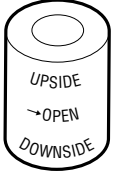
この機種に使用されている温度センサーは下記の通りです。



呼称	NO. 符号	PARTS NO. 部品番号	PARTS NAME 部品名称	DWG. NO. 図番	TYPE 形式	WIRE COLOR 配線色		LENGTH 全長mm	QTY/UNIT LXE10E-			TEMPORALY EXCHANGABILITY 緊急時互換性
						A	B		A15BR	A15C	A15D	
1. SS	C24	137531J	Supply air temp. sensor	3PA61769-11	ST9503-11	green 緑	- -	4700	1	1	1	○
2. DSS	C25	1375327	Data recorder supply air temp. sensor	3PA61769-12	ST9503-12	green 緑	Red 赤	4700	1	1	1	○
3. RS	C26	1375334	Return air temp. sensor	3PA61769-13	ST9503-13	Blue 青	- -	6700	1	1	1	○
4. DRS	C27	1375341	Data recorder return air temp. sensor	3PA61769-14	ST9503-14	Blue 青	Red 赤	6700	1	1	1	○
5. EIS	D4	156282J	Evaporator inlet temp. sensor	3P012118-2	ST9703-2	Brown 茶	- -	2560	1	1	1	
6. EOS	D5	156283J	Evaporator outlet temp. sensor	3PA61769-15	ST9503-15	Yellow 黄	- -	2600	1	1	1	○
7. DCHS	B11	098332J	Discharge pipe temp. sensor	3SA48009-10	ST9701-10	-	-	2800	1	1	1	
8. AMBS	B12	0798321	Ambient air temp. sensor	3PA61769-6	ST9503-6	- -	- -	2600	1	1	1	○
9. SGS	B13	098333J	Compressor suction gas temp. sensor	3PA61769-9	ST9503-9	White 白	- -	2900	1	1	1	○

1. Tools for emergency operation

1. 緊急運転用工具

NO. 符号	PARTS NO. 部品番号	PARTS NAME	部品名称	DWG NO. 図面番号	USE 用途	ILLUSTRATION 姿図
-	1080263	Emergency coil cap	エマージェンシー コイルキャップ	3P017370-1	For electronic expansion valve 電子膨張弁用	
-	1270530	Emergency magnet	エマージェンシー マグネット	2P078385-2	Suction modulating valve 吸入比例弁用	

(See Service Manual for application.)

(使用方法はサービスマニュアルを参照ください。)

2. Personal computer cable (for DCCS)

2. パソコンケーブル（DCCS用）

The following parts are connector cables required to exchange information between the refrigeration unit and personal computer. The table below describes parts required to apply to Model LXE-C, -D, and -E new model.

下記の部品は冷凍ユニットとパソコンの情報交換に必要なコネクタ、ケーブル類です。LXE-C型、D型、及び新機種E型対応に必要な部品を掲載しています。

[TYPE A]タイプA

LXE10C LXE10CA LXE10D for MOL	LXE10C LXE10CA MOL用LXE10D	
(Receptacle) RS232C (Female) on the controller	(レセプタクル) RS232C (メス) コントローラー側	

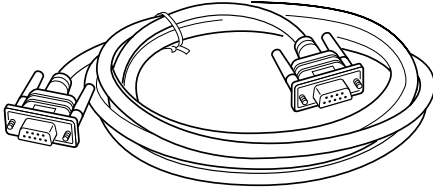
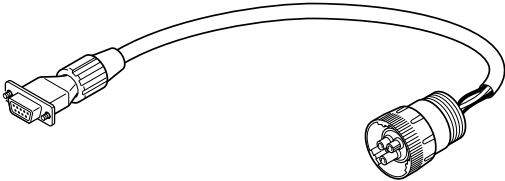
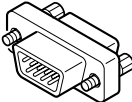
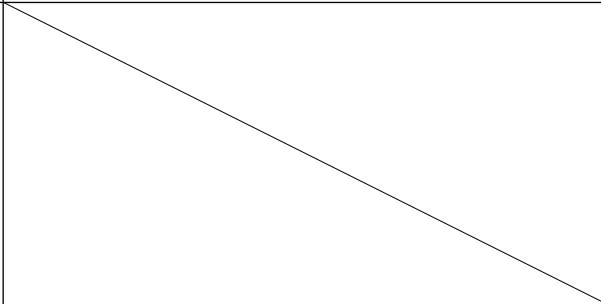
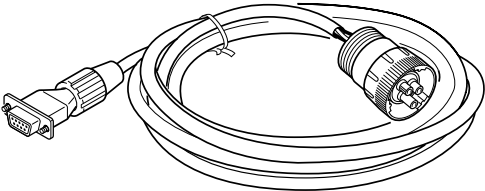
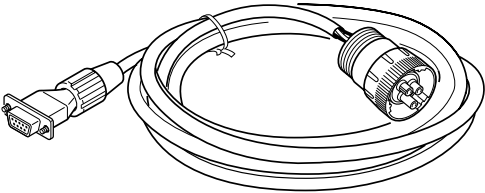
[TYPE B]タイプB

LXE10D LXE10E	LXE10D LXE10E	
(Receptacle) Water proof type on the unit	(レセプタクル) コンテナ冷凍機 ユニットの防水型	

(1) Parts No.

(1) 部品番号

NO. 符号	PARTS NO. 部品番号	PARTS NAME	部品名称	REMARKS 備考
①	Local supply 市販品	Connection cable (reverse)	接続ケーブル (リバース)	RS232C reverse (cross) type RS232Cリバース (クロス) 型
②	9993324	Connection cable	接続ケーブル	
③	Local supply 市販品	Adapter (gender changer)	アダプター (ジェンダーチェンジャー)	D-sub 9P, Male-Male Dサブ9ピン、オス-オス
④	1087149	Connection cable (3 Pins)	接続ケーブル (3ピン)	LXE10E-A Standard LXE10E-A標準
⑤	1384509	Connection cable (5 Pins)	接続ケーブル (5ピン)	For LXE10E-A14,A15 LXE10E-A14、A15用

NO. 符号	Illustration 姿図	Internal Wiring 内部配線																														
①		<p>RS232C Female RS232C Female</p> <p>メス メス</p> <table border="0"> <tr><td>1</td><td>↔</td><td>1</td></tr> <tr><td>2</td><td>↔</td><td>2</td></tr> <tr><td>3</td><td>↔</td><td>3</td></tr> <tr><td>4</td><td>↔</td><td>4</td></tr> <tr><td>5</td><td>↔</td><td>5</td></tr> <tr><td>6</td><td>↔</td><td>6</td></tr> <tr><td>7</td><td>↔</td><td>7</td></tr> <tr><td>8</td><td>↔</td><td>8</td></tr> <tr><td>Frame</td><td></td><td>Frame</td></tr> <tr><td>フレーム</td><td></td><td>フレーム</td></tr> </table>	1	↔	1	2	↔	2	3	↔	3	4	↔	4	5	↔	5	6	↔	6	7	↔	7	8	↔	8	Frame		Frame	フレーム		フレーム
1	↔	1																														
2	↔	2																														
3	↔	3																														
4	↔	4																														
5	↔	5																														
6	↔	6																														
7	↔	7																														
8	↔	8																														
Frame		Frame																														
フレーム		フレーム																														
②		<p>Daikin made RS232C Female</p> <p>ダイキン製 メス</p> <table border="0"> <tr><td>A</td><td>Red</td><td>1</td></tr> <tr><td>B</td><td>White</td><td>2</td></tr> <tr><td>C</td><td>Black</td><td>3</td></tr> <tr><td></td><td></td><td>4</td></tr> <tr><td></td><td></td><td>5</td></tr> <tr><td></td><td></td><td>6</td></tr> <tr><td></td><td></td><td>7</td></tr> <tr><td></td><td></td><td>8</td></tr> <tr><td></td><td></td><td>9</td></tr> </table>	A	Red	1	B	White	2	C	Black	3			4			5			6			7			8			9			
A	Red	1																														
B	White	2																														
C	Black	3																														
		4																														
		5																														
		6																														
		7																														
		8																														
		9																														
③																																
④		<p>Daikin made RS232C Female</p> <p>ダイキン製 メス</p> <table border="0"> <tr><td>A</td><td>Red 赤</td><td>1</td></tr> <tr><td>B</td><td></td><td>2</td></tr> <tr><td>C</td><td>White 白</td><td>3</td></tr> <tr><td></td><td></td><td>4</td></tr> <tr><td></td><td>Black 黒</td><td>5</td></tr> <tr><td></td><td></td><td>6</td></tr> <tr><td></td><td></td><td>7</td></tr> <tr><td></td><td></td><td>8</td></tr> <tr><td></td><td></td><td>Frame</td></tr> <tr><td></td><td></td><td>フレーム</td></tr> </table>	A	Red 赤	1	B		2	C	White 白	3			4		Black 黒	5			6			7			8			Frame			フレーム
A	Red 赤	1																														
B		2																														
C	White 白	3																														
		4																														
	Black 黒	5																														
		6																														
		7																														
		8																														
		Frame																														
		フレーム																														
⑤		<p>Daikin made RS232C Female</p> <p>ダイキン製 メス</p> <table border="0"> <tr><td>A</td><td>Red 赤</td><td>1</td></tr> <tr><td>B</td><td></td><td>2</td></tr> <tr><td>C</td><td>White 白</td><td>3</td></tr> <tr><td>D</td><td></td><td>4</td></tr> <tr><td>E</td><td>Black 黒</td><td>5</td></tr> <tr><td></td><td></td><td>6</td></tr> <tr><td></td><td></td><td>7</td></tr> <tr><td></td><td></td><td>8</td></tr> <tr><td></td><td></td><td>Frame</td></tr> <tr><td></td><td></td><td>フレーム</td></tr> </table>	A	Red 赤	1	B		2	C	White 白	3	D		4	E	Black 黒	5			6			7			8			Frame			フレーム
A	Red 赤	1																														
B		2																														
C	White 白	3																														
D		4																														
E	Black 黒	5																														
		6																														
		7																														
		8																														
		Frame																														
		フレーム																														

<https://daikin-p.ru>

MEMO

<https://daikin-p.ru>

大金工业株式会社

DAIKIN INDUSTRIES, LTD.

总 公 司：大阪市北区中崎西 2 丁目 4-12
梅田中心大厦 (邮政编号：530-8323)
电话：06-6373-4338
传真：06-6373-7297

东京分公司：东京都港区港南 2-18-1
JR 品川东楼 (邮政编号：108-0075)
电话：03-6716-0420
传真：03-6716-0230

Head Office. Umeda Center Bldg., 4-12, Nakazaki-Nishi 2-chome, Kita-ku, Osaka, 530-8323 Japan.

Tel: 06-6373-4338

Fax: 06-6373-7297

Tokyo Office. JR Shinagawa East Bldg., 10F 18-1, Konan 2-chome, Minato-ku Tokyo, 108-0075 Japan.

Tel: 03-6716-0420

Fax: 03-6716-0230