

DAIKIN



ダイキン海上コンテナ冷凍装置

Marine type Container Refrigeration Unit

船用集装箱制冷機組

サービスガイド・パーツリスト

Service Manual · Parts List

維修手冊・部品清單

オプション機能編・Optional Functions・選購功能

LXE10E-A12C

LXE10E-A12D

LXE10E-A12E

LXE10E-A12F

ダイキン工業株式会社
DAIKIN INDUSTRIES, LTD.
大金工業株式会社

Covered Models

Regarding the features and operation of the unit, the service guide describes the items which are different from those of the service manual TR01-09A.

NO.	Item	Different points from service manual (Maintenance and Repair)
1	Fuse holder	Provided.
2	Personal computer receptacle (Communication port)	Located inside control box.
3☆	Cable clamp bracket	Provided.
4	Communication MODEM	Provided.
5☆	Defrost interval	Refer to the details in the following page.
6☆	F.PTI Specification	Set point of F.PTI can be set.
7☆	Transducer	Refer to the details in the following page.

For the ☆ marked items, refer to the details in the following pages.

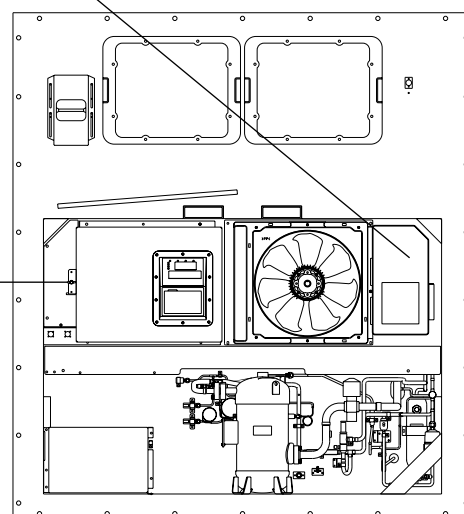
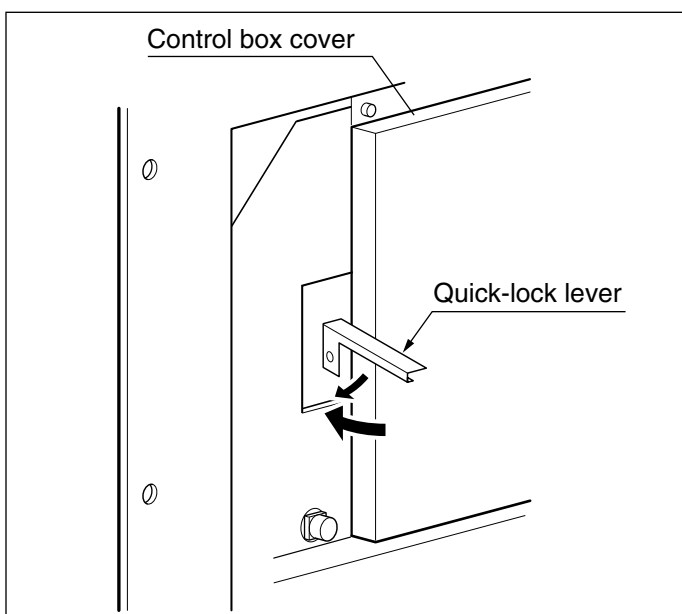
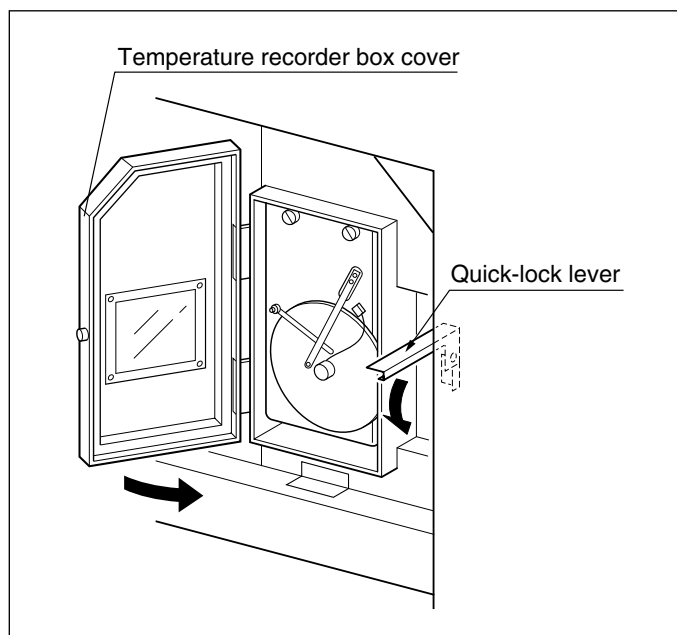
Difference of models

Model	Difference
	Terminal circuit
LXE10E-A12C	Screw type
LXE10E-A12D	
LXE10E-A12E	Connector type
LXE10E-A12F	

 **CAUTION**

Before starting the unit, run the generator.

Securely close the control box cover and the temperature recorder box cover (optional).
Otherwise, It will cause water entry.



CONTENTS

1. Operation Range	4
2. Setting Temperature and Operation Mode	4
3. Defrost Interval	4
4. Control box	5
5. Cable clamp bracket	6
6. F.PTI Specification	7
7. Transducer	9
8. Schematic wiring diagram	10

1. Operation Range

Use this unit in the following range.

Item	Operational range
Range of outdoor temperature	-30°C to +50°C (-22°F to +122°F)
Range of temperature inside	-30°C to +30°C (-22°F to +86°F)
Voltage	50Hz: 380/400/415VAC, 60Hz: 440/460VAC Range of voltage fluctuations: ±10%
Vibration/Shock	2G

2. Setting Temperature and Operation Mode

Operation mode	Operating temperature		
	Chilled mode	Partial frozen mode	Frozen mode
Operation procedure	Set the operating temperature to the range of +30 to -3.0°C (+86 to +26.6°F).	Set the operating temperature to the range of -3.1 to -10.0°C (+26.4 to +14°F).	Set the operating temperature to the range of -10.1 to -30.0°C (+13.8 to -22°F).
Functions	Used to perform chilled operation, which proportionally controls the temperature inside by means of the sensor of discharge air temperature.	Used to perform partial frozen operation, which proportionally controls the temperature inside by means of the sensor of suction air temperature.	Used to perform frozen operation, which turns the compressor ON or OFF and proportionally controls the temperature inside by means of the sensor of suction air temperature.
	The evaporation fan performs High-operation.		The evaporation fan performs Low-operation.

3. Defrost Interval

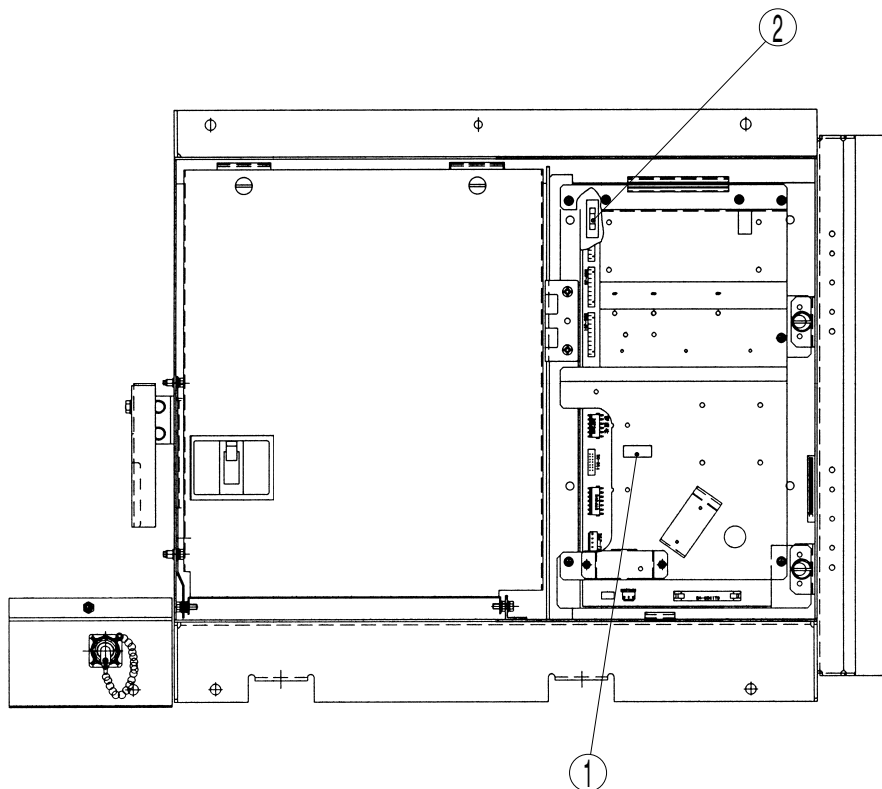
Unlike standard units, this unit makes selection of the long-period setting timer or the short-period setting timer in accordance with a lapse of time after the unit starts up.

● Commencement of defrost operation

	Within 72 hours after the unit starts up.	From 72 hours onward after the unit starts up.
Commencement of defrost operation	The defrost operation is commenced in accordance with a shorter period of time set though either the short-period setting timer (4 hours) or the long-period setting timer.	The defrost operation is commenced in accordance with a period of time set though the long-period setting timer.

4. Control box

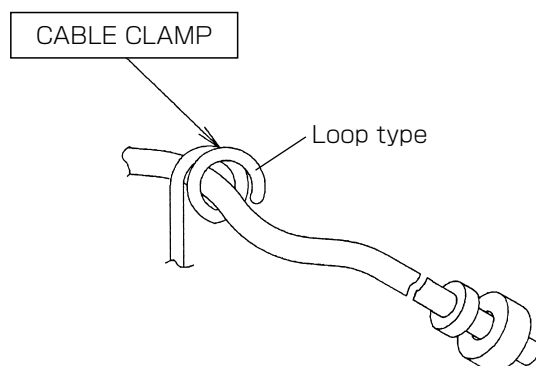
● Inside of the control box



- ① Personal computer receptacle
- ② Fuse holder/Spare fuse

5. Cable clamp bracket

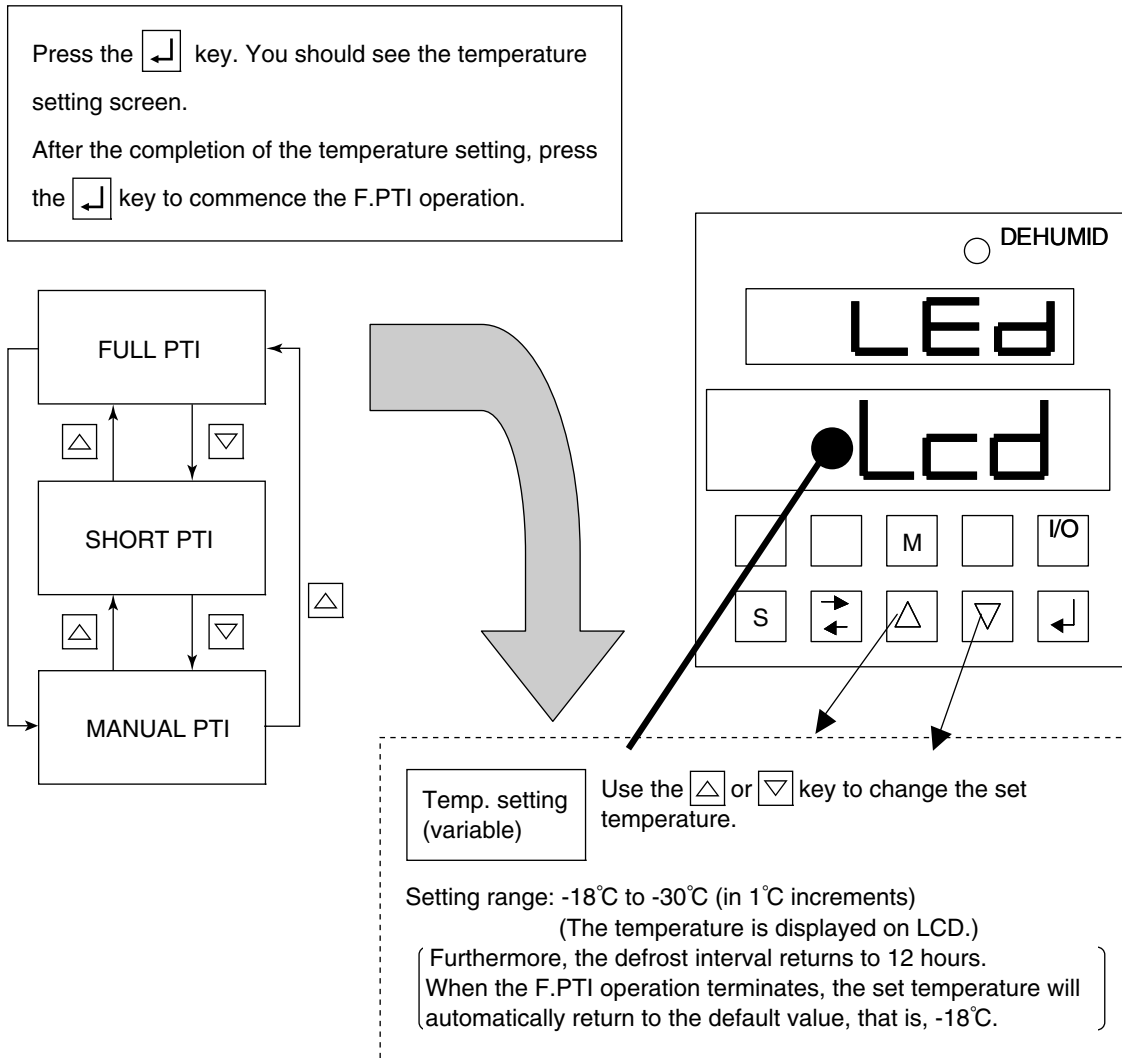
When it is operated on the trailer or railway chassis, be sure to fasten the power cable with **cable clamp**.



6. F.PTI Specification

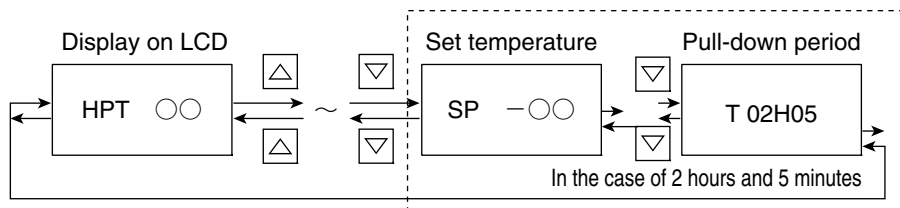
In order to perform F.PTI operation, this unit is designed by adding the following ① to ④ functions to the standard specification, which are enclosed with a dotted rectangular as shown below.

① Entry of set temperature while in F.PTI mode



② Display of set temperature and pull-down period while in F/PTI mode

Scrolling sensor display mode with the UP or DOWN key will display the temperature and period after DRS.

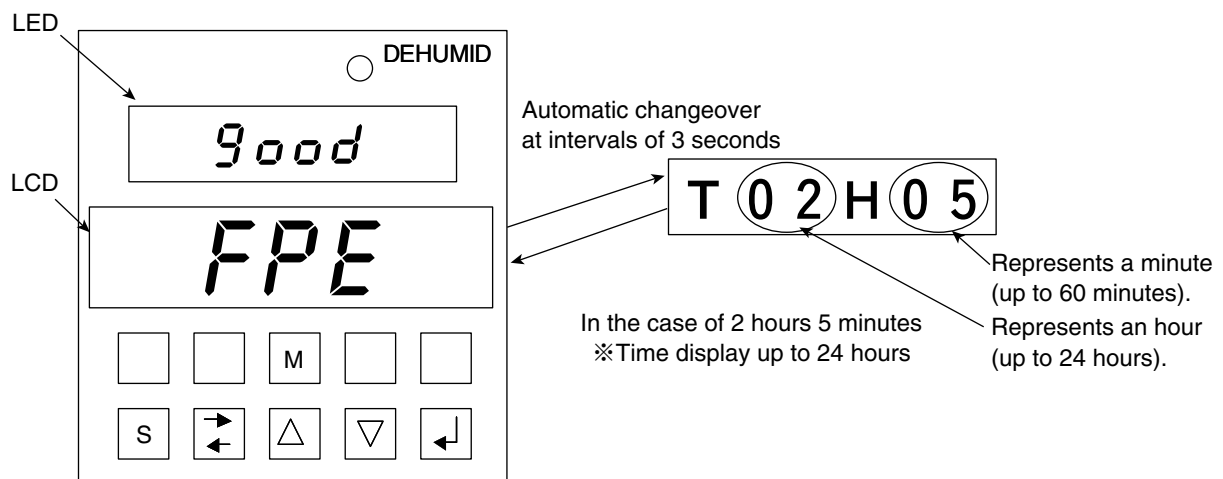


③ List of detail on display and alarms of F.PTI step

Step	Item	Alarm display	
P50	Check the pull-down period to reach 0°C	J501	Outside outdoor temperature condition
		J502	Pull-down period -exceeded-
P60	Check the chilled operation for controllability.		
P70	Check the defrost operation.	J701	Outside commencement condition of defrost operation
		J702	Defrost operative period -exceeded-
P80	Check the pull-down period from 0°C to 18°C ■When SP = -18°C■	J801	Pull-down period -exceeded- (when the temperature does not reach -18°C within 3 hours)
	Check the pull-down period from 0°C to the set temperature (in the range of -18°C to -30°C.) ■When SP < -18°C■	J801	Pull-down period -exceeded- (when the temperature does not reach SP within 24 hours) ※Except for defrost operation
P90	Check the frozen operation for controllability.		

④ Display after F.PTI

When F.PTI normally terminates, "FPE" ↔ "Time" will be alternately displayed on the LCD at intervals of 3 seconds. (T 0 2 H 0 5)



⑤ Defrost operation while in pull-down mode

Defrost operation by means of the short-period timer (4 hours or 6 hours) is not performed. However, if the suction air temperature does not fall below 0.2°C/hour, the defrost operation will be initiated.

7. Transducer

7.1 Low pressure transducer (LPT)

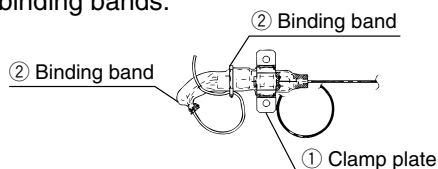
Model	LXE10E-A12C,A12D,A12E,A12F	
Transducer type	NSK-BC010F	
Identification color	Transducer	Black body
	Connector	Nothing

The LPT is located in the refrigerant circuit.

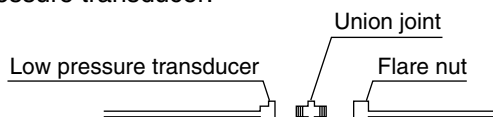
The operating low pressure value is displayed on the controller indication panel.

(1) Replacing the transducer

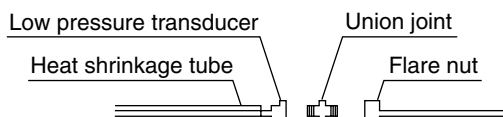
- ① Disconnect the lead wire from the control box.
- ② In order to prevent refrigerant from flowing out, disconnect the low-pressure transducer piping from the gauge joint (with check valve) on the compressor side.
- ③ Remove two screws on the clamp plate fixing low pressure transducer in place, and cut the binding bands.



- ④ Remove the heat shrinkage tube, and disconnect the connector from the low pressure transducer.



- ⑤ Insert the pressure transducer cable through the heat shrinkage tube, and connect the union joint and connector to the new low pressure transducer. If paint on the low pressure transducer is peeled off, apply clear lacquer.

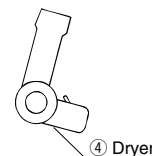
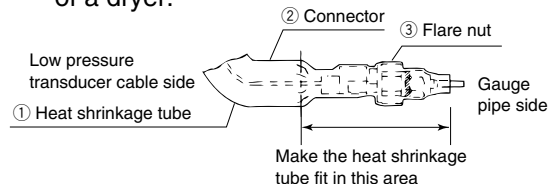


CAUTION

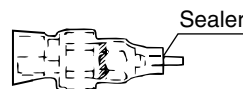
Do not expose the low pressure transducer to hot air of a dryer for excess time.

Otherwise, the transducer may be damaged.

- ⑥ Apply the heat shrinkage tube in the following position, then shrink it with hot air of a dryer.

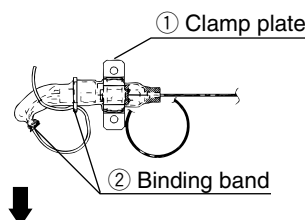


- ⑦ Apply sealer between the heat shrinkage tube and the flare nut. (Sealer :KE4898)



- ⑧ Fix the low pressure transducer with the clamp plate, and fix the cable with the binding band.

Fix the shrinkage tube end of the cable side downward for prevention of water entering into the tube.



Fix the tube directing the end downward

7.2 High pressure transducer (HPT)

Model	LXE10E-A12C,A12D,A12E,A12F	
Transducer type	NSK-BC030F	
Identification color	Transducer	Red & Brown body
	Connector	Nothing

The HPT is located in the refrigerant circuit.

The operating high pressure value is displayed on the controller indication panel.

(1) Replacement procedure

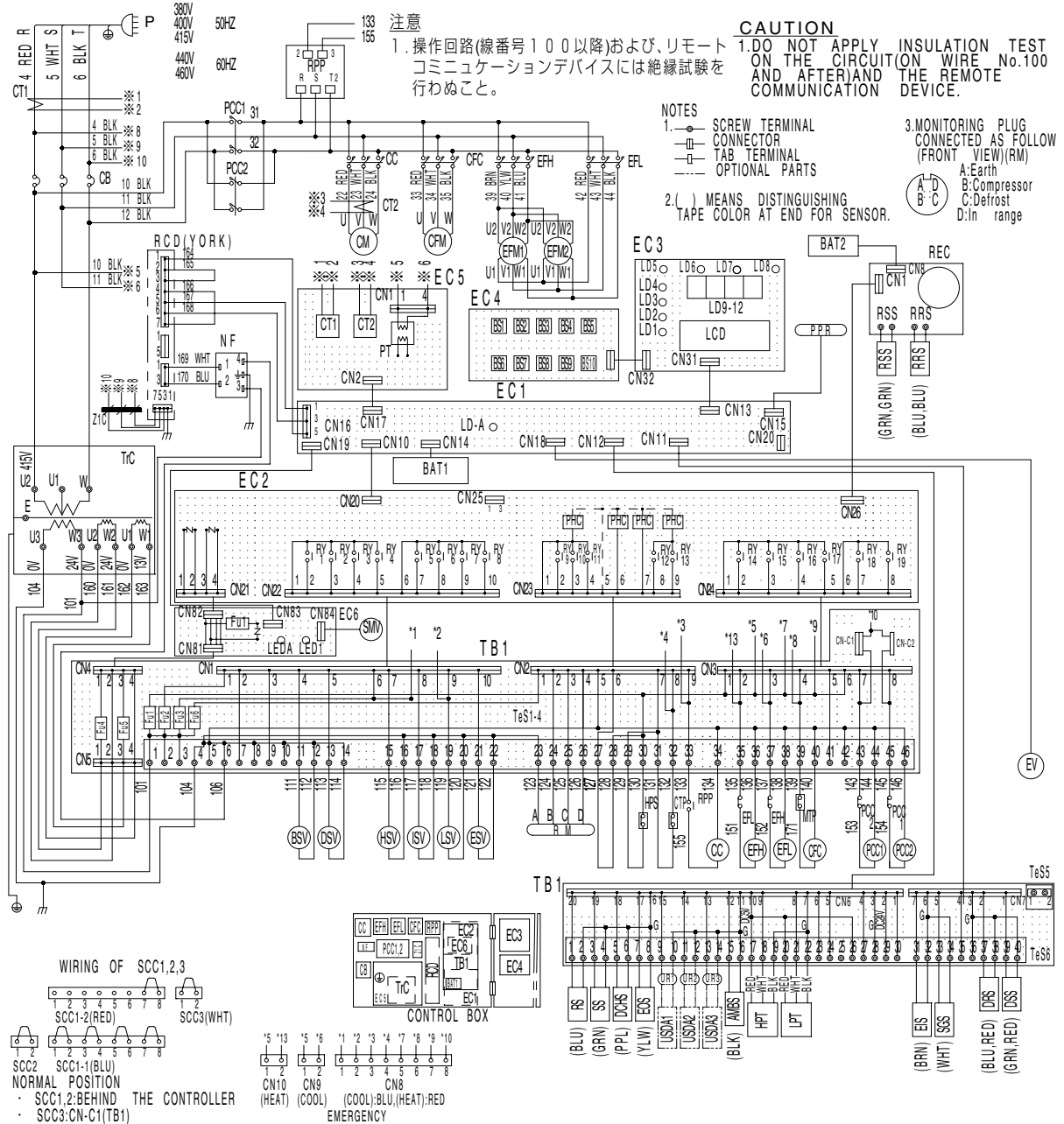
The replacement procedure is the same as that for the low pressure transducer.

Make sure that the fixing position and the cable connection is correct.

8. Schematic wiring diagram

8.1 LXE10E-A12C, A12D

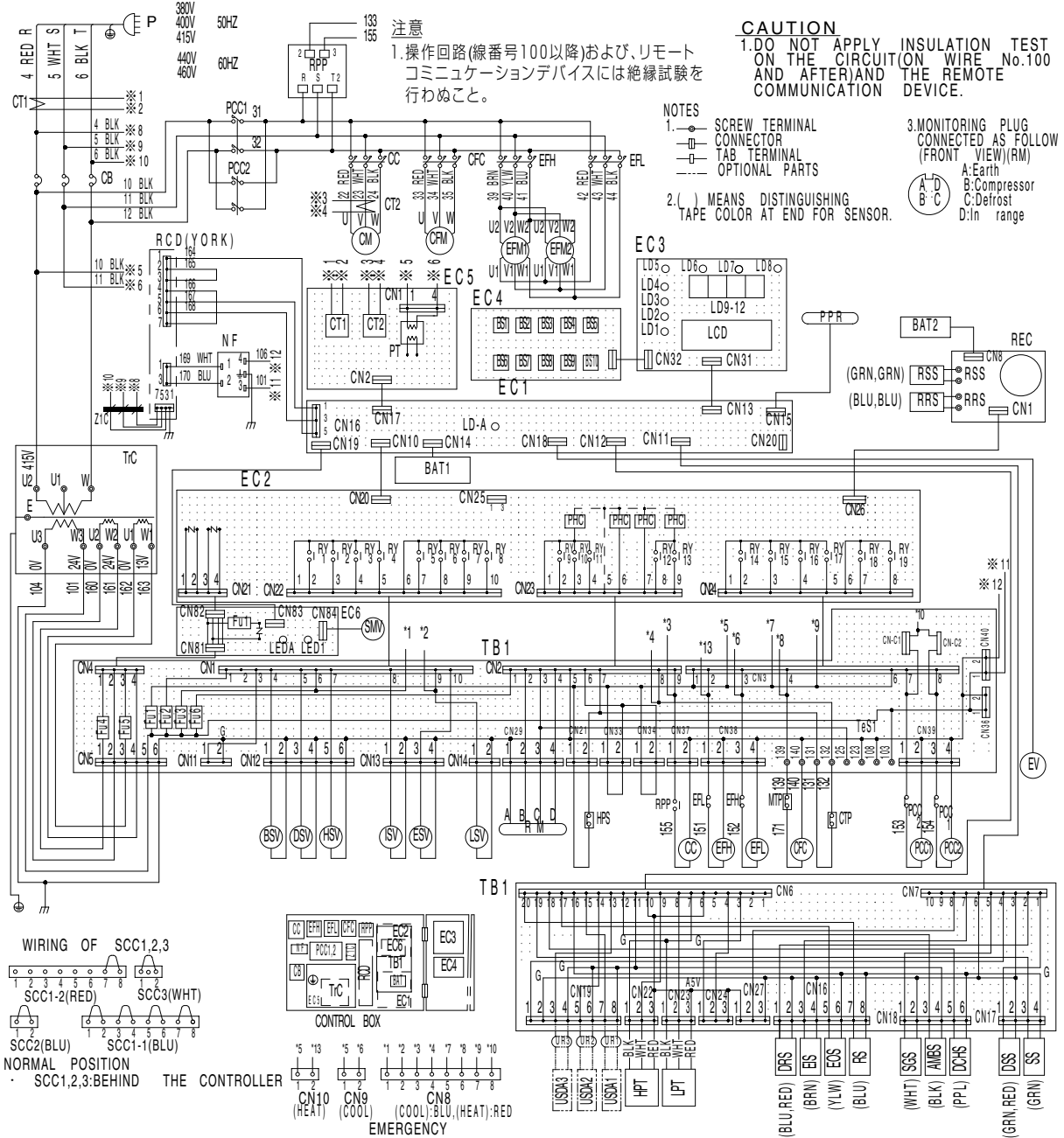
CONTAINER REFRIGERATION UNIT WIRING DIAGRAM



AMBS	AMBIENT TEMP.SENSOR	EFL	LOW SPEED EVAPORATOR FAN CONTACTOR	LD9-12	LIGHT-EMITTING DIODE	SGS	SUCTION GAS SENSOR
BAT1,2	BATTERY	EFM1,2	EVAPORATOR FAN MOTOR	LEDA	SERVICE MONITOR-GREEN(EC6)	SMV	SUCTION MODULATING VALVE
BSV	GAS BYPASS SOLENOID VALVE	EIS	EVAPORATOR INLET SENSOR	LED1	LIGHT-EMITTING DIODE(EC6)	SS	SUPPLY AIR SENSOR
BS1-10	PUSH BUTTON SWITCH	EOS	EVAPORATOR OUTLET SENSOR	LPT	LOW PRESSURE TRANSDUCER	TB1	TERMINAL BOARD
CB	CIRCUIT BREAKER(30A)	ESV	ECONOMIZER SOLENOID VALVE	LSV	LIQUID SOLENOID VALVE	TrC	CONTROL TRANSFORMER
CC	COMPRESSOR CONTACTOR	EV	ELECTRONIC EXPANSION VALVE	MTP	COND. MOTOR THERMAL PROTECTOR	Z1C	FERRITE CORE
CFC	CONDENSER FAN CONTACTOR	Fu1-6	FUSE(Φ 250V,10A)(TB1)	NF	NOISE FILTER		
CFM	CONDENSER FAN MOTOR	Fu1	FUSE(Φ 250V,5A)(EC6)	P	POWER PLUG		
CM	COMPRESSOR MOTOR	HPS	HIGH PRESSURE SWITCH	PCC1,2	PHASE CORRECTION CONTACTOR		
CT1,2	CURRENT TRANSFORMER	HPT	HIGH PRESSURE TRANSDUCER	PHC	PHOTO COUPLER		
CTP	COMPRESSOR THERMAL PROTECTOR	HSV	HOT GAS SOLENOID VALVE	PPR	PC.PORT RECEPTACLE		
DCHS	COMPRESSOR DISCHARGE SENSOR	ISV	INJECTION SOLENOID VALVE	PT	POTENTIAL TRANSFORMER		OPTIONAL SPECIFICATION
DRS	DATA RECORDER RETURN AIR SENSOR	LCD	LIQUID CRYSTAL DISPLAY	REC	RECORDER	RCD	REMOTE COMMUNICATION DEVICE(YORK) 1
DSS	DATA RECORDER SUPPLY AIR SENSOR	LD-A	SERVICE MONITOR-GREEN(EC1)	RM	REMOTE MONITORING RECEPTACLE	UR1-3	USDA RECEPTACLE 2
DSV	DEFROST SOLENOID VALVE	LD1	LIGHT-EMITTING DIODE(R.H.)	RPP	REVERSE PHASE PROTECTOR	USDA1-3	USDA SENSOR 3
EC1	CPU BOARD (DECOS)	LD2	LIGHT-EMITTING DIODE(ALARM)	RRS	RECORDER RETURN AIR SENSOR		
EC2	I/O BOARD (DECOS)	LD3	LIGHT-EMITTING DIODE(RETURN)	RS	RETURN AIR SENSOR		OPTIONAL ITEM NO.
EC3	DISPLAY BOARD (DECOS)	LD4	LIGHT-EMITTING DIODE(SUPPLY)	RSS	RECORDER SUPPLY AIR SENSOR		EACH MODEL TO EQUIP FOLLOWING OPTIONS.
EC4	SHEET KEY (DECOS)	LD5	LIGHT-EMITTING DIODE(COMP)	Ry1-19	RELAY		· LXE10E-A6 :NIL
EC5	PRINTED CIRCUIT BOARD (PT,CT)	LD6	LIGHT-EMITTING DIODE(DEFROST)	SCC1-1,2	SHORT CIRCUIT CONNECTOR		· LXE10E-A12:NO.1
EC6	ADAPTER BOARD	LD7	LIGHT-EMITTING DIODE(IN RANGE)	SCC2	SHORT CIRCUIT CONNECTOR		· LXE10E-A28:NO.1 & NO.3
EFH	HIGH SPEED EVAPORATOR FAN CONTACTOR	LD8	LIGHT-EMITTING DIODE(DE-HUMID)	SCC3	SHORT CIRCUIT CONNECTOR		

8.2 LXE10E-A12E

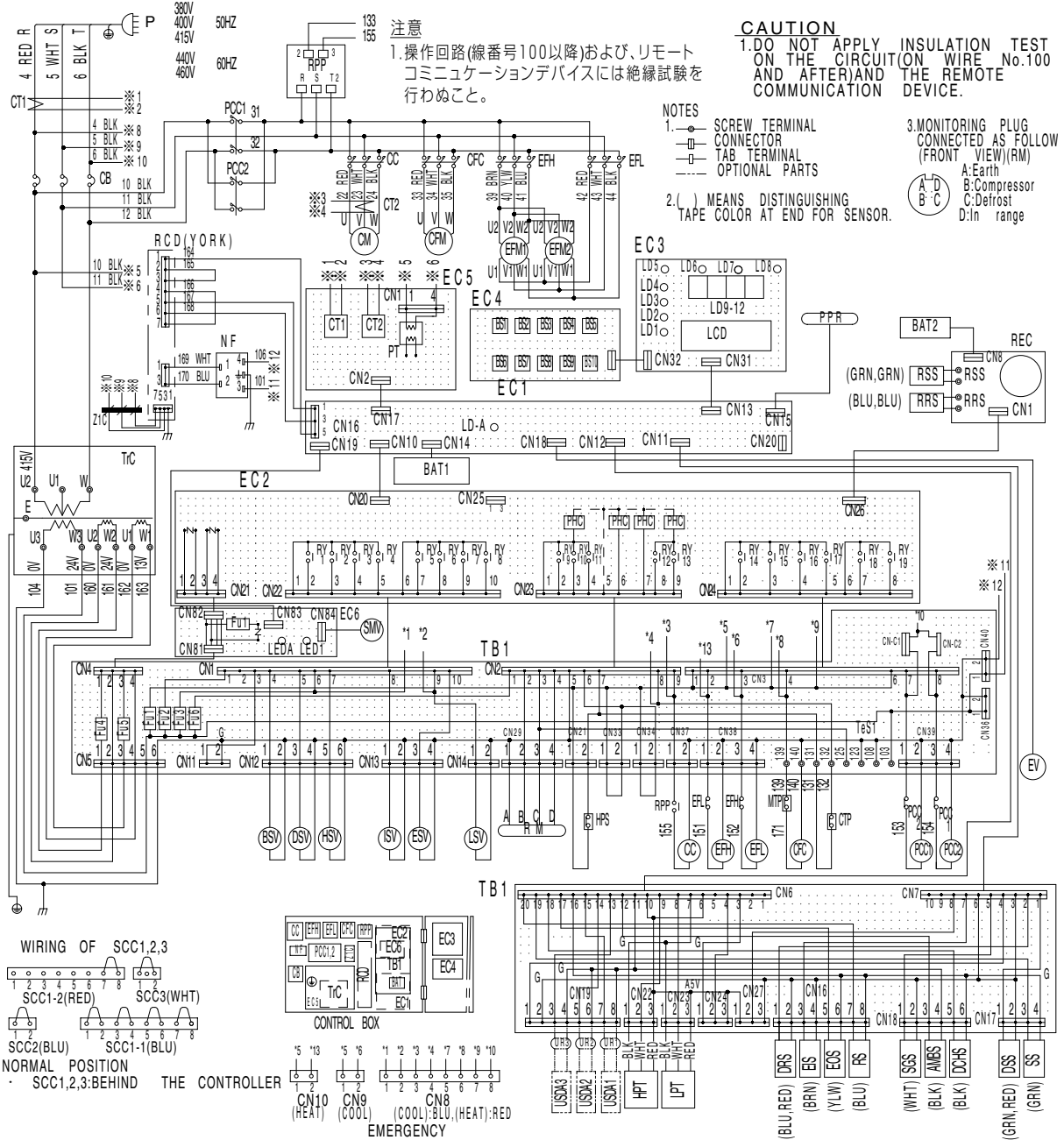
CONTAINER REFRIGERATION UNIT WIRING DIAGRAM



AMBS	AMBIENT TEMP SENSOR	EFL	LOW SPEED EVAPORATOR FAN CONTACTOR	LD9-12	LIGHT-EMITTING DIODE	SGS	SUCTION GAS SENSOR
BAT1,2	BATTERY	EFM1,2	EVAPORATOR FAN MOTOR	LEDA	SERVICE MONITOR-GREEN (EC6)	SMV	SUCTION MODULATING VALVE
BSV	GAS BYPASS SOLENOID VALVE	EIS	EVAPORATOR INLET SENSOR	LED1	LIGHT-EMITTING DIODE (EC6)	SS	SUPPLY AIR SENSOR
BS1-10	PUSH BUTTON SWITCH	EOS	EVAPORATOR OUTLET SENSOR	LPT	LOW PRESSURE TRANSDUCER	TB1	TERMINAL BOARD
CB	CIRCUIT BREAKER(30A)	ESV	ECONOMIZER SOLENOID VALVE	LSV	LIQUID SOLENOID VALVE	TiC	CONTROL TRANSFORMER
CC	COMPRESSOR CONTACTOR	EV	ELECTRONIC EXPANSION VALVE	MTP	COND. MOTOR THERMAL PROTECTOR	Z1C	FERRITE CORE
CFC	CONDENSER FAN CONTACTOR	Fu1-6	FUSE(B) (250V,10A)(TB1)	NF	NOISE FILTER		
CFM	CONDENSER FAN MOTOR	Fu1	FUSE(B) (250V,5A)(EC6)	P	POWER PLUG		
CM	COMPRESSOR MOTOR	HPS	HIGH PRESSURE SWITCH	PCC1,2	PHASE CORRECTION CONTACTOR		
CT1,2	CURRENT TRANSFORMER	HPT	HIGH PRESSURE TRANSDUCER	PHC	PHOTO COUPLER		
CTP	COMPRESSOR THERMAL PROTECTOR	HSV	HOT GAS SOLENOID VALVE	PPR	PC PORT RECEPTACLE		
DCHS	COMPRESSOR DISCHARGE SENSOR	ISV	INJECTION SOLENOID VALVE	PT	POTENTIAL TRANSFORMER		
DRS	DATA RECORDER RETURN AIR SENSOR	LCD	LIQUID CRYSTAL DISPLAY	REC	RECORDER		OPTIONAL SPECIFICATION
DSS	DATA RECORDER SUPPLY AIR SENSOR	LD-A	SERVICE MONITOR-GREEN (EC1)	RM	REMOTE MONITORING RECEPTACLE	RCD	REMOTE COMMUNICATION DEVICE(YORK) 1
DSV	DEFROST SOLENOID VALVE	LD1	LIGHT-EMITTING DIODE (R.H.)	RPP	REVERSE PHASE PROTECTOR	UR1-3	USDA RECEPTACLE 2
EC1	CPU BOARD (DECOS)	LD2	LIGHT-EMITTING DIODE (ALARM)	RRS	RECORDER RETURN AIR SENSOR	USDA1-3	USDA SENSOR 3
EC2	IO BOARD (DECOS)	LD3	LIGHT-EMITTING DIODE (RETURN)	RSS	RECORDER AIR SENSOR		
EC3	DISPLAY BOARD (DECOS)	LD4	LIGHT-EMITTING DIODE (SUPPLY)	RSS	RECORDER SUPPLY AIR SENSOR		OPTIONAL ITEM NO.
EC4	SHEET KEY BOARD	LD5	LIGHT-EMITTING DIODE (COMP)	RY1-19	RELAY		EACH MODEL TO EQUIP FOLLOWING OPTIONS.
EC5	PRINTED CIRCUIT BOARD (PT.CT)	LD6	LIGHT-EMITTING DIODE (DEFROST)	SCC1-1,2	SHORT CIRCUIT CONNECTOR		LXE10E-A12:NO.1
EC6	ADAPTER BOARD	LD7	LIGHT-EMITTING DIODE (IN RANGE)	SCC2	SHORT CIRCUIT CONNECTOR		LXE10E-A28:NO.1 & NO.2
EFH	HIGH SPEED EVAPORATOR FAN CONTACTOR	LD8	LIGHT-EMITTING DIODE (DE-HUMID)	SCC3	SHORT CIRCUIT CONNECTOR		

8.3 LXE10E-A12F

CONTAINER REFRIGERATION UNIT WIRING DIAGRAM



AMBS	AMBIENT TEMP SENSOR	EFL	LOW SPEED EVAPORATOR FAN CONTACTOR	LD9-12	LIGHT-EMITTING DIODE	SCC3	SHORT CIRCUIT CONNECTOR
BAT1,2	BATTERY	EFM1,2	EVAPORATOR FAN MOTOR	LEDA	SERVICE MONITOR-GREEN (EC6)	SGS	SUCTION GAS SENSOR
BSV	GAS BYPASS SOLENOID VALVE	EIS	EVAPORATOR INLET SENSOR	LED1	LIGHT-EMITTING DIODE (EC6)	SMV	SUCTION MODULATING VALVE
BS1-10	PUSH BUTTON SWITCH	EOS	EVAPORATOR OUTLET SENSOR	LPT	LOW PRESSURE TRANSDUCER	SS	SUPPLY AIR SENSOR
CB	CIRCUIT BREAKER(30A)	ESV	ECONOMIZER SOLENOID VALVE	LSV	LIQUID SOLENOID VALVE	TB1	TERMINAL BOARD
CC	COMPRESSOR CONTACTOR	EV	ELECTRONIC EXPANSION VALVE	MTP	COND. MOTOR THERMAL PROTECTOR	TIC	CONTROL TRANSFORMER
CFC	CONDENSER FAN CONTACTOR	Fu1-6	FUSE(B) (250V,10A)(TB1)	NF	NOISE FILTER	ZIC	FERRITE CORE
CFM	CONDENSER FAN MOTOR	Fu1	FUSE(B) (250V,5A)(EC6)	P	POWER PLUG		
CM	COMPRESSOR MOTOR	HPS	HIGH PRESSURE SWITCH	PCC1,2	PHASE CORRECTION CONTACTOR		
CT1,2	CURRENT TRANSFORMER	HPT	HIGH PRESSURE TRANSDUCER	PHC	PHOTO COUPLER		
CTP	COMPRESSOR THERMAL PROTECTOR	HSV	HOT GAS SOLENOID VALVE	PPR	PC PORT RECEPTACLE		
DCHS	COMPRESSOR DISCHARGE SENSOR	ISV	INJECTION SOLENOID VALVE	PT	POTENTIAL TRANSFORMER		
DRS	DATA RECORDER RETURN AIR SENSOR	LCD	LIQUID CRYSTAL DISPLAY	RCD	REMOTE COMMUNICATION DEVICE(YORK)		OPTIONAL SPECIFICATION
DSS	DATA RECORDER SUPPLY AIR SENSOR	LD-A	SERVICE MONITOR-GREEN(EC1)	REC	RECORDER	UR1-3	USDA RECEPTACLE
DSV	DEFROST SOLENOID VALVE	LD1	LIGHT-EMITTING DIODE (R.H.)	RM	REMOTE MONITORING RECEPTACLE	USDA1-3	USDA SENSOR
EC1	CPU BOARD (DECOS)	LD2	LIGHT-EMITTING DIODE (ALARM)	RSS	RECORDER RETURN AIR SENSOR		OPTIONAL ITEM NO.
EC2	IO BOARD (DECOS)	LD3	LIGHT-EMITTING DIODE (RETURN)	RS	RECORDER AIR SENSOR		EACH MODEL TO EQUIP FOLLOWING OPTIONS.
EC3	DISPLAY BOARD (DECOS)	LD4	LIGHT-EMITTING DIODE (SUPPLY)	RSS	RECORDER SUPPLY AIR SENSOR		LXE10E-A12:NO.1
EC4	SHEET KEY (DECOS)	LD5	LIGHT-EMITTING DIODE (COMP)	Ry1-19	RELAY		LXE10E-A28:NO.1
EC5	PRINTED CIRCUIT BOARD (PT.CT)	LD6	LIGHT-EMITTING DIODE (DEFROST)	SCC1-1,-2	SHORT CIRCUIT CONNECTOR		
EC6	ADAPTER BOARD	LD7	LIGHT-EMITTING DIODE (IN RANGE)	SCC2	SHORT CIRCUIT CONNECTOR		
EFH	HIGH SPEED EVAPORATOR FAN CONTACTOR	LD8	LIGHT-EMITTING DIODE (DE-HUMID)				

记载机型

本维修手册仅记述本机组的特点及使用方面与维修手册（维修篇 TR02-04A）不同的事项。

No.	项目	与维修手册（维修篇）的不同点
1	熔丝座	已配备
2	电脑插孔（通信板）	配置在控制箱内
3 ☆	电缆夹配件	已配备
4	通信调制解调器	已配备
5 ☆	除霜间隔	参见下页以后的详细说明
6 ☆	F. PTI 规格	可设定 FPTI 的 Set point
7 ☆	压力传感器	参见下页以后的详细说明

带☆标记的项目在下页以后有详细说明。

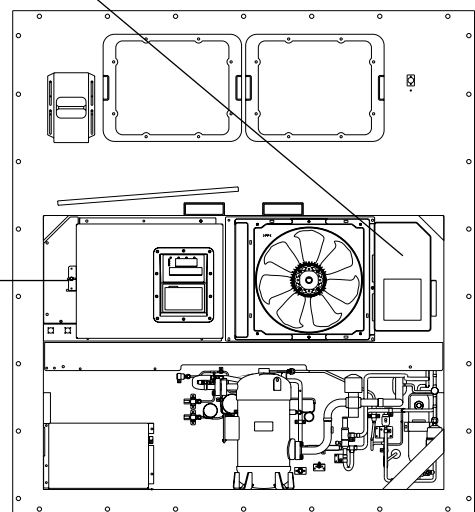
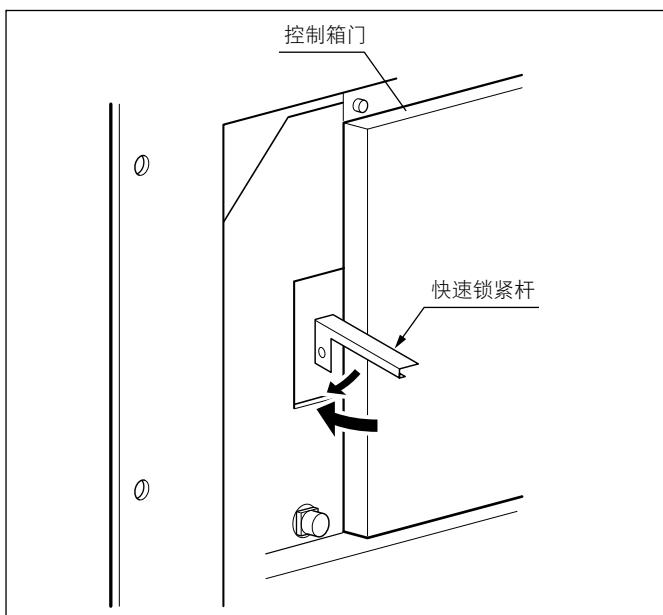
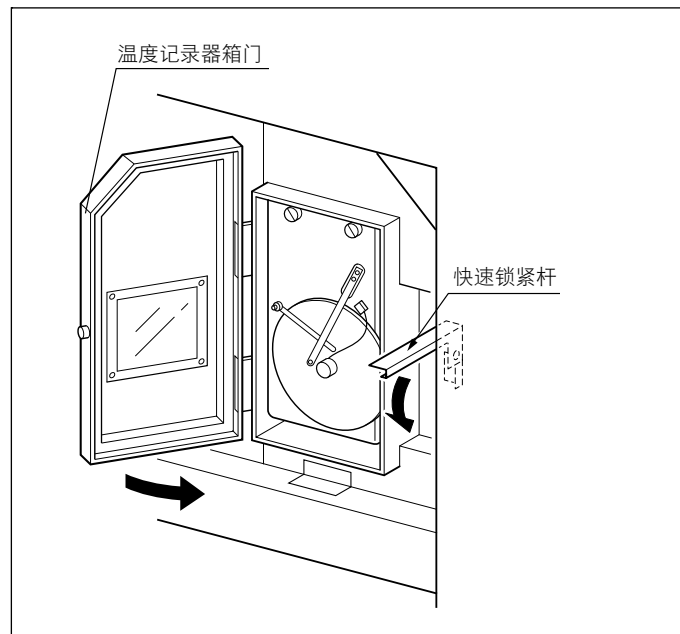
各型号不同点

型号	不同点
	端子板
LXE10E-A12C	熔丝规格
LXE10E-A12D	
LXE10E-A12E	连接器规格
LXE10E-A12F	

⚠ 注意事项

机组开启前，开启发电机。

为防止水的侵入，必须关紧控制箱门。



目 录

1. 运行范围	16
2. 设定温度和运行模式	16
3. 除霜间隔	16
4. 控制箱	17
5. 电缆夹配件	18
6. F.PTI 规格	19
7. 压力传感器	21
8. 配线示意图	22

1. 运行范围

在下列范围内使用本机组。

项 目	运行范围
环境 温度 范围	-30℃ ~ +50℃ (-22 ~ +122)
内 部 温 度 范 围	-30℃ ~ +30℃ (-22 ~ +86)
电 压	50Hz:380/400/415V, 60Hz:440/460V 电压波动率应在 ±10%之内
振 动 与 冲 击	2G

2. 设定温度和运行模式

运行模式	设定温度		
	激冷模式	局部冷冻模式	冷冻模式
操作要点	设定温度为 +30 ~ -3.0℃ (+86 ~ +26.6)	设定温度为 -3.1 ~ -10.0℃ (+26.4 ~ +14)	设定温度为 -10.1 ~ -30.0℃ (+13.8 ~ -22)
功能	进行激冷运行。通过 排出空气温度传感器 对库内温度进行比例 控制。	进行局部冷冻运行。通 过吸入空气温度传感器 对库内温度进行比例控 制。	进行冷冻运行。通过吸入空气温度传感 器使压缩机 ON/OFF 来控制库内温度。
	蒸发器风扇高速 (High) 运转。		蒸发器风扇低速 (Low) 运转。

3. 除霜间隔

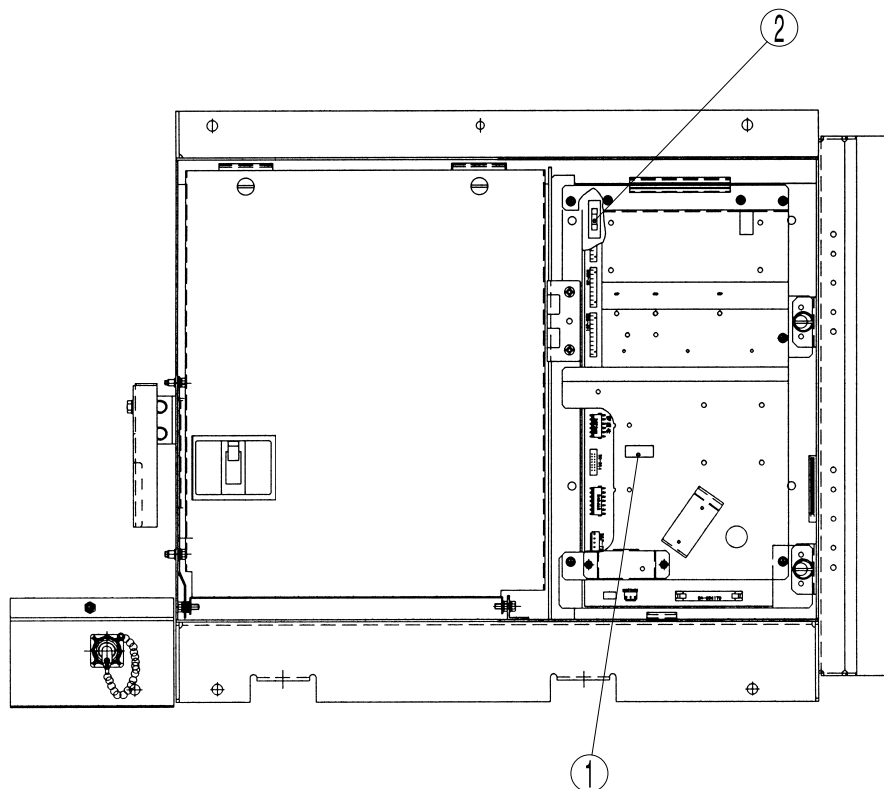
本机组与标准机型的不同之处在于，长时间定时器和短时间定时器的切换是根据机组起动后的经过时间决定的。

●除霜开始

	机组起动后 72 小时以内	机组起动 72 小时以后
除霜开始	利用短时间定时器 (4 小时) 和长时间 定时器中设定时间较短的定时器来开始 除霜。	利用长时间定时器来开始除霜。

4. 控制箱

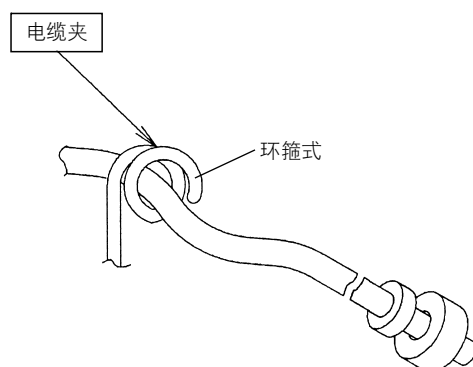
●控制箱内部



- ①电脑插孔
- ②熔丝座 / 备用熔丝

5. 电缆夹配件

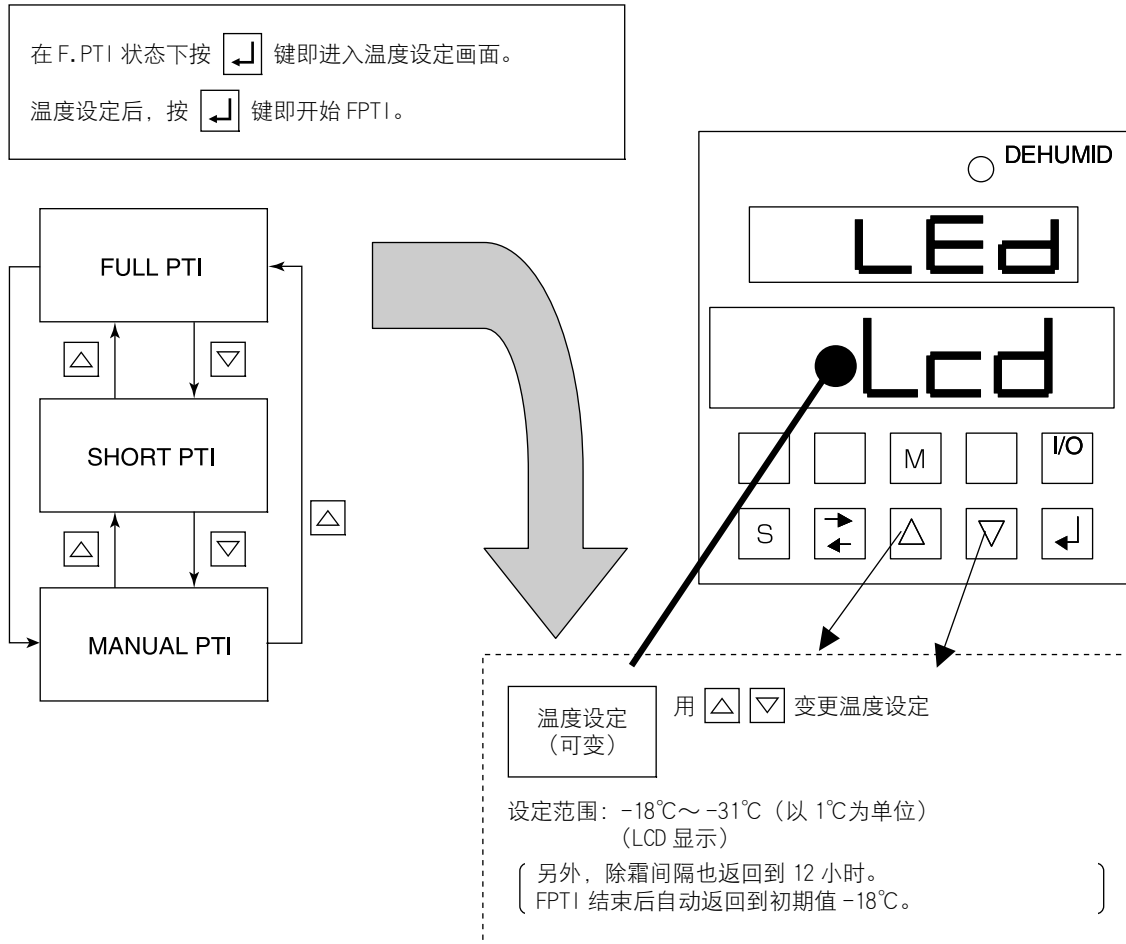
在拖车、列车底盘上运行时，必须用 **电缆夹** 固定电源线。



6. F.PTI 规格

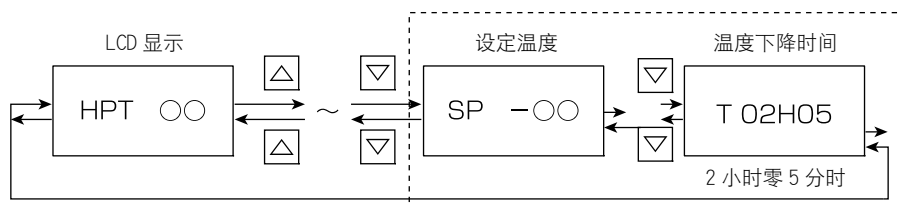
本机组比标准机型增加了实施 F.PTI 时以下①~④的功能。□内即为所增加的功能。

① F.PTI 时的设定温度输入



② F.PTI 时的设定温度及温度下降时间的显示

用上下键滚动显示传感器显示模式，
在 DRS 的后面显示。

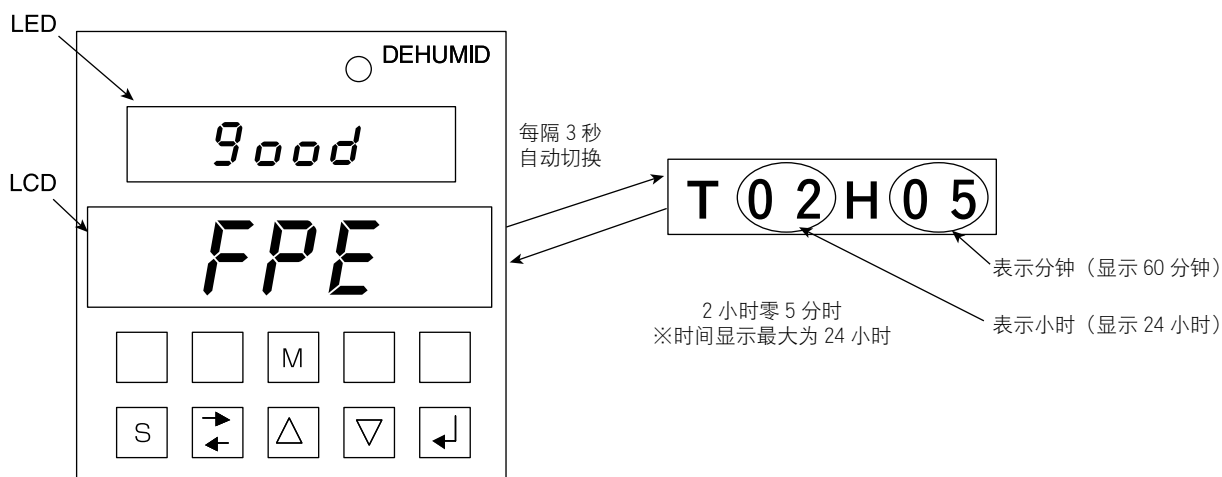


③ F. PTI 分段显示内容及报警一览表

分段	项目	报警显示	
P50	检查到 0℃ 为止的温度下降	J501	不满足室外空气温度条件
		J502	温度下降时间超时
P60	检查激冷运行的控制性		
P70	除霜检查	J701	不满足除霜开始条件
		J702	除霜时间超时
P80	检查从 0℃ 到 -18℃ 为止的温度下降 ■ SP=-18℃ 时 ■	J801	温度下降时间超时 (3 小时内未到达 -18℃ 时)
	检查从 0℃ 到设定温度 (-18 ~ -30℃) 为止的温度下降 ■ SP<-18℃ 时 ■	J801	温度下降时间超时(24 小时内未到达 SP 时) ※不包括除霜时间
P90	检查冷冻运行的控制性		

④ F. PTI 后的显示

当 F. PTI 正常结束后, 「FPE」 ↔ 「时间」 将在 LCD 上每隔 3 秒交替显示 (T ○ ○ H ○ ○)



⑤ 温度下降时的除霜

不进行短时间定时器除霜 (4 小时、6 小时)

但当吸入空气温度未以 0.2℃ / 小时以上下降时, 即开始除霜。

7. 压力传感器

7.1 低压传感器 (LPT)

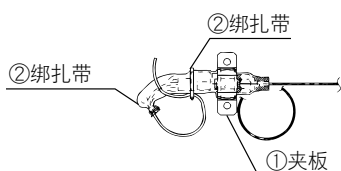
型号	LXE10E-A12C、A12D、A12E、A12F
传感器型号	NSK-BC010F
识别色	传感器 黑色本体
	连接器 无

低压传感器位于冷媒回路中。

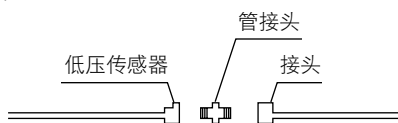
运行时的低压值显示在控制器的指示面板上。

(1) 传感器的更换

- ①断开控制箱中的引线。
- ②为了防止冷媒流出，应在压缩机一侧将低压传感器管与仪表接头（带止回阀）(C) 断开。
- ③卸下用来固定低压传感器的夹板上的两只螺钉，接着切断绑扎带。

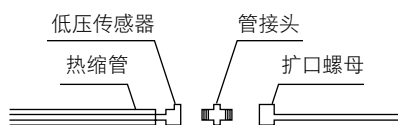


- ④取下热缩管，然后从低压传感器上拆下连接器。



- ⑤热缩管穿过压力传感器缆线，接到管接头和连接器上。

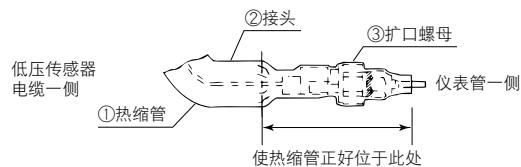
如果低压传感器上的涂料已经脱落，则应重新涂上透明漆。



注意

请勿将低压传感器暴露在干燥器的热气中过长时间，否则会损坏传感器。

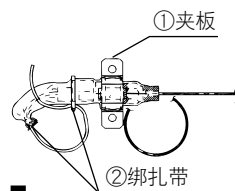
- ⑥将热缩管放在如下位置，接着用干燥器的热气使之收缩。



- ⑦将密封件放在热缩管与扩口螺母之间。（密封件：KE4898）



- ⑧用夹板固定住低压传感器，接着用绑扎带固定住电缆。应使电缆一侧的热缩管端头朝下以防止水进入管中。



固定热缩管时应使其端头朝下

7.2 高压传感器 (HPT)

型号	LXE10E-A12C、A12D、A12E、A12F
传感器型号	NSK-BC030F
识别色	传感器 红褐色本体
	连接器 无

高压传感器位于冷媒回路中。

运行时的高压值显示在控制器的指示面板上。

(1) 更换步骤

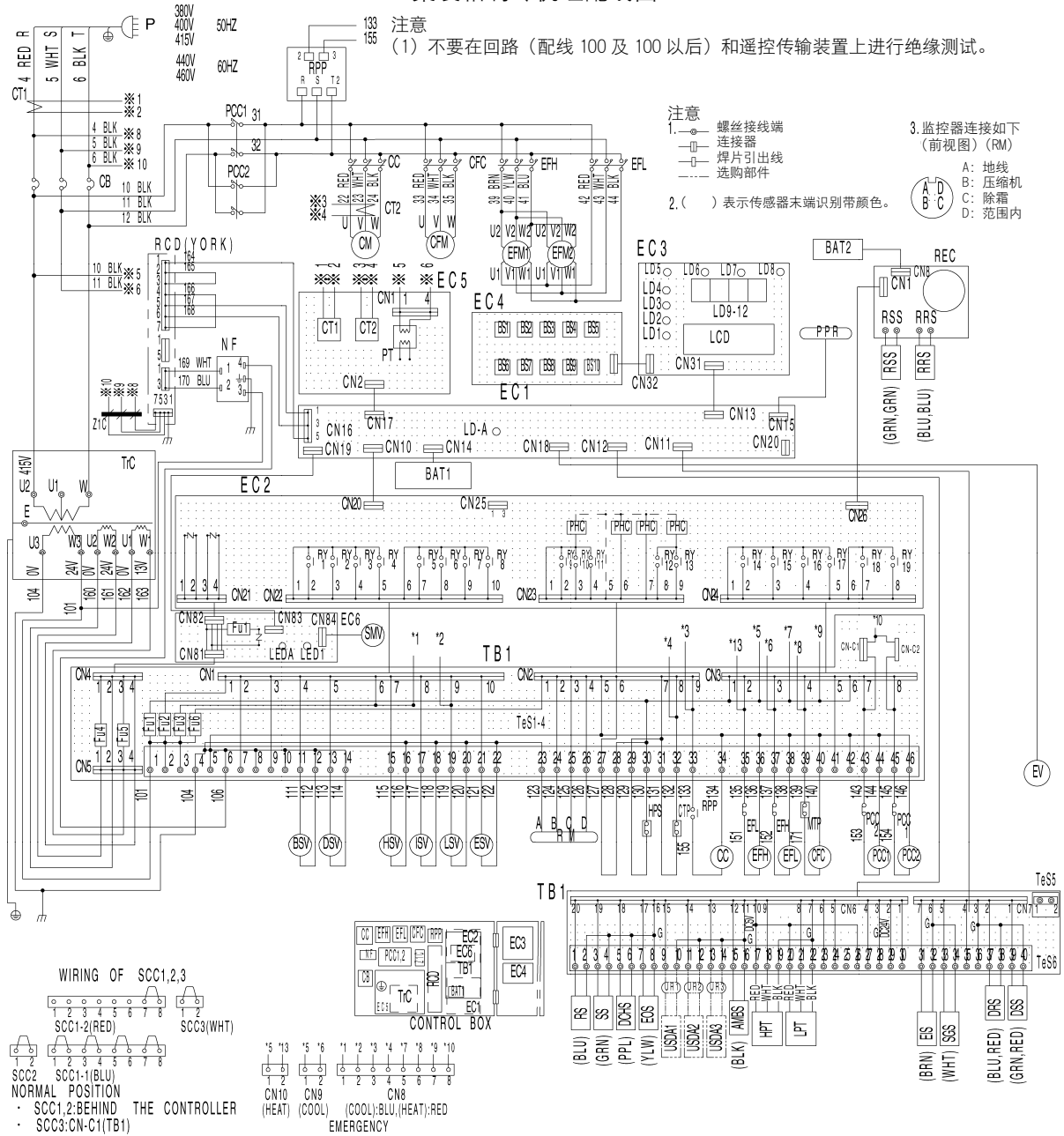
更换步骤与低压传感器相同。

应确保固定位置及电缆连接正确。

8. 配线示意图

8.1 LXE10E-A12C, A12D

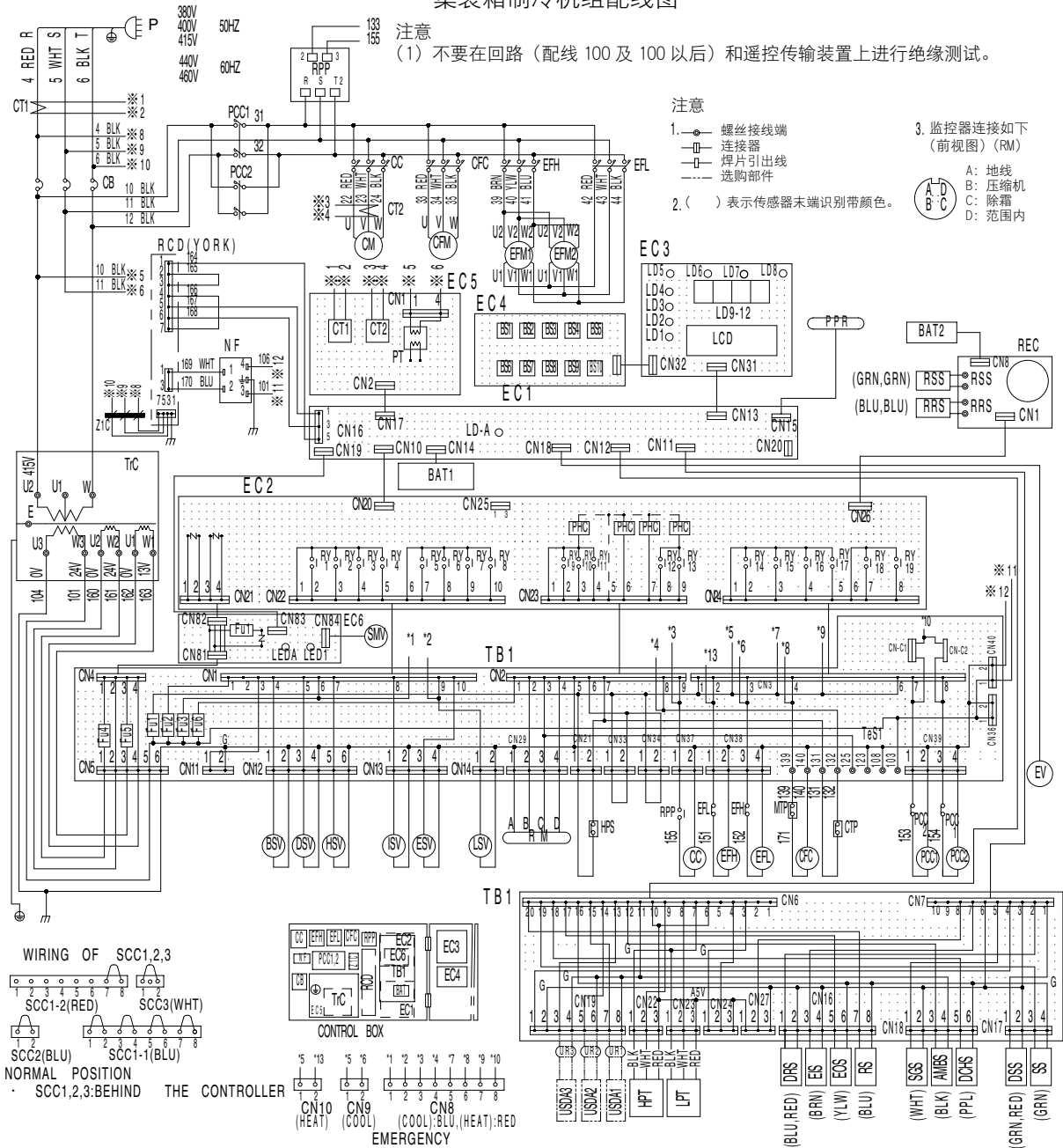
集装箱制冷机组配线图



AMBS	AMBIENT TEMP.SENSOR	EFL	LOW SPEED EVAPORATOR FAN CONTACTOR	LD9-12	LIGHT-EMITTING DIODE	SGS	SUCTION GAS SENSOR
BAT1,2	BATTERY	EFM1,2	EVAPORATOR FAN MOTOR	LEDA	SERVICE MONITOR-GREEN(EC6)	SMV	SUCTION MODULATING VALVE
BSV	GAS BYPASS SOLENOID VALVE	EIS	EVAPORATOR INLET SENSOR	LED1	LIGHT-EMITTING DIODE(EC6)	SS	SUPPLY AIR SENSOR
BS1-10	PUSH BUTTON SWITCH	EOS	EVAPORATOR OUTLET SENSOR	LPT	LOW PRESSURE TRANSDUCER	TB1	TERMINAL BOARD
CB	CIRCUIT BREAKER(30A)	ESV	ECONOMIZER SOLENOID VALVE	LSV	LIQUID SOLENOID VALVE	T1C	CONTROL TRANSFORMER
CC	COMPRESSOR CONTACTOR	EV	ELECTRONIC EXPANSION VALVE	MTP	COND. MOTOR THERMAL PROTECTOR	ZIC	FERRITE CORE
CFC	CONDENSER FAN CONTACTOR	Fu1-6	FUSE(B) (250V,10A)(TB1)	NF	NOISE FILTER		
CFM	CONDENSER FAN MOTOR	Fu1	FUSE(B) (250V,5A)(EC6)	P	POWER PLUG		
CM	COMPRESSOR MOTOR	HPS	HIGH PRESSURE SWITCH	PCC1,2	PHASE CORRECTION CONTACTOR		
CT1,2	CURRENT TRANSFORMER	HPT	HIGH PRESSURE TRANSDUCER	PHC	PHOTO COUPLER		
CTP	COMPRESSOR THERMAL PROTECTOR	HSV	HOT GAS SOLENOID VALVE	PPR	PC.PORT RECEPTACLE		
DCHS	COMPRESSOR DISCHARGE SENSOR	ISV	INJECTION SOLENOID VALVE	PT	POTENTIAL TRANSFORMER		OPTIONAL SPECIFICATION
DRS	DATA RECORDER RETURN AIR SENSOR	LCD	LIQUID CRYSTAL DISPLAY	REC	RECORDER	RCD	REMOTE COMMUNICATION DEVICE(YORK)
DSS	DATA RECORDER SUPPLY AIR SENSOR	LD-A	SERVICE MONITOR-GREEN(EC1)	RM	REMOTE MONITORING RECEPTACLE	UR1-3	USDA RECEPTACLE
DSV	DEFROST SOLENOID VALVE	LD1	LIGHT-EMITTING DIODE(R.H.)	RPP	REVERSE PHASE PROTECTOR	USDA1-3	USDA SENSOR
EC1	CPU BOARD (DECOS)	LD2	LIGHT-EMITTING DIODE(ALARM)	RRS	RECORDER RETURN AIR SENSOR		
EC2	T/O BOARD (DECOS)	LD3	LIGHT-EMITTING DIODE(RETURN)	RSS	RETURN AIR SENSOR		OPTIONAL ITEM NO.
EC3	DISPLAY BOARD (DECOS)	LD4	LIGHT-EMITTING DIODE(SUPPLY)	RS	RECORDER SUPPLY AIR SENSOR		EACH MODEL TO EQUIP FOLLOWING OPTIONS.
EC4	SHEET KEY (DECOS)	LD5	LIGHT-EMITTING DIODE(COMP)	Ry1-19	RELAY		· LXE10E-A6 :NIL
EC5	PRINTED CIRCUIT BOARD (PT,CT)	LD6	LIGHT-EMITTING DIODE(DEFROST)	SCC1-1,2	SHORT CIRCUIT CONNECTOR		· LXE10E-A12:NO.1
EC6	ADAPTER BOARD	LD7	LIGHT-EMITTING DIODE(IN RANGE)	SCC2	SHORT CIRCUIT CONNECTOR		· LXE10E-A28:NO.1 & NO.3
EFH	HIGH SPEED EVAPORATOR FAN CONTACTOR	LD8	LIGHT-EMITTING DIODE(DE-HUMID)	SCC3	SHORT CIRCUIT CONNECTOR		

8.2 LXE10E-A12E

集装箱制冷机组配线图



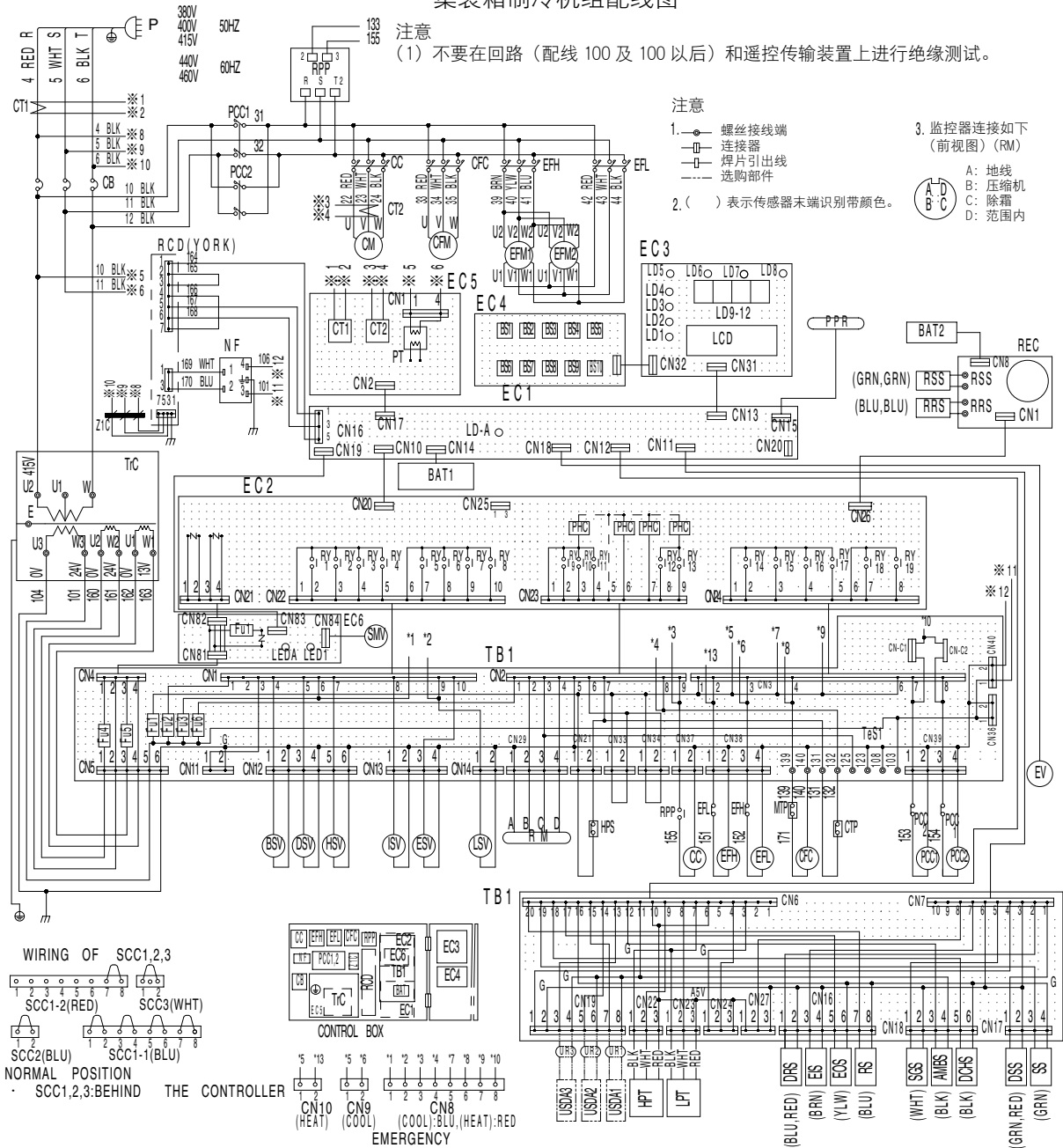
AMBS	AMBIENT TEMP.SENSOR	EFL	LOW SPEED EVAPORATOR FAN CONTACTOR	LD9-12	LIGHT-EMITTING DIODE	SGS	SUCTION GAS SENSOR
BAT1,2	BATTERY	EFM1,2	EVAPORATOR FAN MOTOR	LEDA	SERVICE MONITOR-GREEN(EC6)	SMV	SUCTION MODULATING VALVE
BSV	GAS BYPASS SOLENOID VALVE	EIS	EVAPORATOR INLET SENSOR	LED1	LIGHT-EMITTING DIODE (EC6)	SS	SUPPLY AIR SENSOR
BS1-10	PUSH BUTTON SWITCH	EOS	EVAPORATOR OUTLET SENSOR	LPT	LOW PRESSURE TRANSDUCER	TB1	TERMINAL BOARD
CB	CIRCUIT BREAKER(30A)	ESV	ECONOMIZER SOLENOID VALVE	MTP	LIQUID SOLENOID VALVE	TiC	CONTROL TRANSFORMER
CC	COMPRESSOR CONTACTOR	EV	ELECTRONIC EXPANSION VALVE	NF	NOISE FILTER	ZiC	FERRITE CORE
CFC	CONDENSER FAN CONTACTOR	Fu1-6	FUSE(B) (250V,10A/TB1)	P	POWER PLUG		
CFM	CONDENSER FAN MOTOR	Fu1	FUSE(B) (250V,5A/EC6)	PCC1,2	PHASE CORRECTION CONTACTOR		
CM	COMPRESSOR MOTOR	HPS	HIGH PRESSURE SWITCH	PHC	PHOTO COUPLER		
CT1,2	CURRENT TRANSFORMER	HPT	HIGH PRESSURE TRANSDUCER	PPR	PC PORT RECEPTACLE		
CTP	COMPRESSOR THERMAL PROTECTOR	HSV	HOT GAS SOLENOID VALVE	PT	POTENTIAL TRANSFORMER		
DCHS	COMPRESSOR DISCHARGE SENSOR	ISV	INJECTION SOLENOID VALVE	REC	RECORDER		
DRS	DATA RECORDER RETURN AIR SENSOR	LED	LIGHT-EMITTING DIODE (R.H.)	R	RETURN AIR SENSOR		
DSS	DATA RECORDER SUPPLY AIR SENSOR	LD	LIGHT-EMITTING DIODE (RETURN)	RS	RECORDER SUPPLY AIR SENSOR		
DSV	DEFROST SOLENOID VALVE	LD1	LIGHT-EMITTING DIODE (RANGE)	RM	REMOTE MONITORING RECEPTACLE	RCD	REMOTE COMMUNICATION DEVICE (YORK)
EC1	CPU BOARD (DECOS)	LD2	LIGHT-EMITTING DIODE (DEFROST)	RPP	REVERSE PHASE PROTECTOR	UR1-3	USDA RECEPTACLE
EC2	IO BOARD (DECOS)	LD3	LIGHT-EMITTING DIODE (DE-HUMID)	RRS	RECORDER RETURN AIR SENSOR	USDA1-3	USDA SENSOR
EC3	DISPLAY BOARD (DECOS)	LD4	LIGHT-EMITTING DIODE (SUPPLY)	RS	RETURN AIR SENSOR		
EC4	SHEET KEY (DECOS)	LD5	LIGHT-EMITTING DIODE (COMP)	RRS	RECORDER SUPPLY AIR SENSOR		
EC5	PRINTED CIRCUIT BOARD (PT.CT)	LD6	LIGHT-EMITTING DIODE (DE-FROST)	RV1-19	RELAY		
EC6	ADAPTER BOARD	LD7	LIGHT-EMITTING DIODE (DE-FROST)	SCC1-1, -2	SHORT CIRCUIT CONNECTOR		
EFH	HIGH SPEED EVAPORATOR FAN CONTACTOR	LD8	LIGHT-EMITTING DIODE (DE-FROST)	SCC2	SHORT CIRCUIT CONNECTOR		
				SCC3	SHORT CIRCUIT CONNECTOR		

2 D 0 5 2 1 0 4 - 1

LXE10E-A12,A28

8.3 LXE10E-A12F

集装箱制冷机组配线图



AMBS	AMBIENT TEMP.SENSOR	EFL	LOW SPEED EVAPORATOR FAN CONTACTOR	LD9-12	LIGHT-EMITTING DIODE	SCC3	SHORT CIRCUIT CONNECTOR
BAT1,2	BATTERY	EFM1,2	EVAPORATOR FAN MOTOR	LEDA	SERVICE MONITOR-GREEN(EC6)	SGS	SUCTION GAS SENSOR
BSV	GAS BYPASS SOLENOID VALVE	EIS	EVAPORATOR INLET SENSOR	LED1	LIGHT-EMITTING DIODE (EC6)	SMV	SUCTION MODULATING VALVE
BS1-10	PUSH BUTTON SWITCH	EOS	EVAPORATOR OUTLET SENSOR	LPT	LOW PRESSURE TRANSDUCER	SS	SUPPLY AIR SENSOR
CB	CIRCUIT BREAKER(30A)	ESV	ECONOMIZER SOLENOID VALVE	LSV	LIQUID SOLENOID VALVE	TB1	TERMINAL BOARD
CC	COMPRESSOR CONTACTOR	EV	ELECTRONIC EXPANSION VALVE	MTP	COND. MOTOR THERMAL PROTECTOR	Tc	CONTROL TRANSFORMER
CFC	CONDENSER FAN CONTACTOR	Fu1-6	FUSE(B) (250V,10A/TB1)	NF	NOISE FILTER	Z1C	FERRITE CORE
CFM	CONDENSER FAN MOTOR	Fu1	FUSE(B) (250V,5A/EC6)	P	POWER PLUG		
CM	COMPRESSOR MOTOR	HPS	HIGH PRESSURE SWITCH	PCC1,2	PHASE CORRECTION CONTACTOR		
CT1,2	CURRENT TRANSFORMER	HPT	HIGH PRESSURE TRANSDUCER	PHC	PHOTO COUPLER		
CTP	COMPRESSOR THERMAL PROTECTOR	HSV	HOT GAS SOLENOID VALVE	PPR	PC-PORT RECEPTACLE		
DCHS	COMPRESSOR DISCHARGE SENSOR	ISV	INJECTION SOLENOID VALVE	PT	POTENTIAL TRANSFORMER		
DRS	DATA RECORDER RETURN AIR SENSOR	LCD	LIQUID CRYSTAL DISPLAY	RCD	REMOTE COMMUNICATION DEVICE(YORK)		OPTIONAL SPECIFICATION
DSS	DATA RECORDER SUPPLY AIR SENSOR	LD-A	SERVICE MONITOR-GREEN(EC1)	REC	RECORDER	UR1-3	USDA RECEPTACLE
DSV	DEFROST SOLENOID VALVE	LD1	LIGHT-EMITTING DIODE(R.H.)	RM	REMOTE MONITORING RECEPTACLE	USDA1-3	USDA SENSOR
EC1	CPU BOARD (DECO5)	LD2	LIGHT-EMITTING DIODE(ALARM)	RPP	REVERSE PHASE PROTECTOR		
EC2	IO BOARD (DECO5)	LD3	LIGHT-EMITTING DIODE(RETURN)	RRS	RECORDER RETURN AIR SENSOR		OPTIONAL ITEM NO.
EC3	DISPLAY BOARD (DECO5)	LD4	LIGHT-EMITTING DIODE(SUPPLY)	RSS	RECORDER AIR SENSOR		EACH MODEL TO EQUIP FOLLOWING OPTIONS.
EC4	SHEET KEY (DECO5)	LD5	LIGHT-EMITTING DIODE(COMP)	RSS	RECORDER SUPPLY AIR SENSOR		- LXE10E-A12:NO.1
EC5	PRINTED CIRCUIT BOARD (PT.CT)	LD6	LIGHT-EMITTING DIODE(DEFROST)	Ry1-19	RELAY		- LXE10E-A28:NO.1
EC6	ADAPTER BOARD	LD7	LIGHT-EMITTING DIODE(IN RANGE)	SCC1-1,2	SHORT CIRCUIT CONNECTOR		
EFH	HIGH SPEED EVAPORATOR FAN CONTACTOR	LD8	LIGHT-EMITTING DIODE(DE-HUMID)	SCC2	SHORT CIRCUIT CONNECTOR		

2 D 0 5 3 2 9 5 - 1

LXE10E-A12,A28

掲載機種

このサービスガイドは本ユニットの特長及び取扱いについてサービスガイド（サービス編 TR01-08A）と異なる事項のみ掲載しております。

NO.	項 目	サービスガイド（サービス編）と異なる点
1	ヒューズホルダ	装備しています
2	パソコンレセプタクル（通信ポート）	コントロールボックス内に配置しています
3☆	ケーブルクランプ金具	装備しています
4	通信モデム	装備しています。
5☆	デフロストインターバル	次ページ以降の詳細説明を参照下さい
6☆	F.PTI仕様	FPTIのSet pointが設定可能です
7☆	圧力センサ	次ページ以降の詳細説明を参照下さい

☆印の項目については次ページ以降に詳細説明を掲載しています。

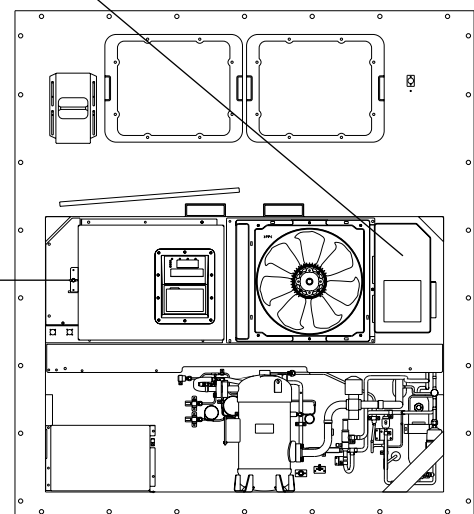
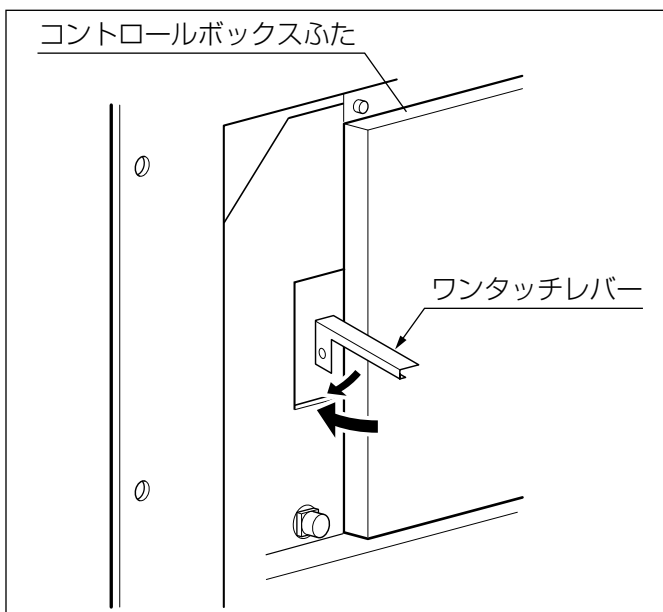
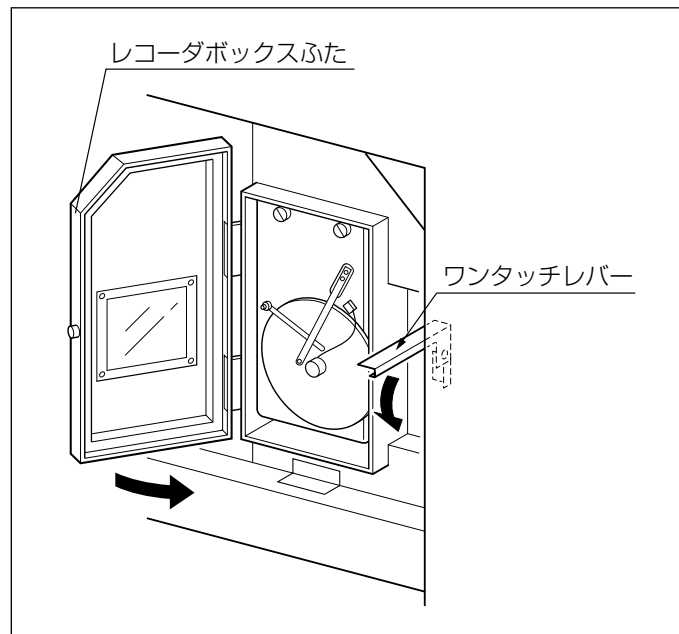
モデルによる違い

モデル	相違点
	端子基板
LXE10E-A12C	ビス仕様
LXE10E-A12D	
LXE10E-A12E	コネクタ仕様
LXE10E-A12F	

⚠ 注意

ユニット始動の前に、発電機を運転すること。

コントロールボックスおよびレコーダボックス（オプション）のふたは、確実に締め付けること。
水の浸入を防止するためです。



目 次

1. 運転範囲	28
2. 設定温度と運転モード	28
3. デフロストインターバル	28
4. コントロールボックス	29
5. ケーブルクランプ金具	30
6. F.PTI仕様	31
7. 圧力センサ	33
8. シーケンス	34

1. 運転範囲

このユニットは次の範囲内でご使用ください。

項 目	運転可能範囲
外気温度範囲	-30℃～+50℃ (-22°F～+122°F)
庫内温度範囲	-30℃～+30℃ (-22°F～+86°F)
電 圧	50Hz : 380/400/415V、60Hz : 440/460V 電圧変動巾 ±10%
振 動・衝 撃	2G

2. 設定温度と運転モード

運転モード	設 定 温 度		
	チルドモード	パーシャルフロースンモード	フロースンモード
操作要領	設定温度を +30～-3.0℃ (+86～+26.6°F) に設定する。	設定温度を -3.1～-10.0℃ (+26.4～+14°F) に設定する。	設定温度を -10.1～-30.0℃ (+13.8～-22°F) に設定する。
機 能	チルド運転を行います。吹出空気温度センサにより庫内温度を比例制御します。	パーシャルフロースン運転を行います。吸込空気温度センサにより庫内温度を比例制御します。	フロースン運転を行います。吸込空気温度センサにより圧縮機をON/OFFし庫内温度を制御します。
	蒸発器ファンは、High運転を行います。		蒸発器ファンは、Low運転を行います。

3. デフロストインターバル

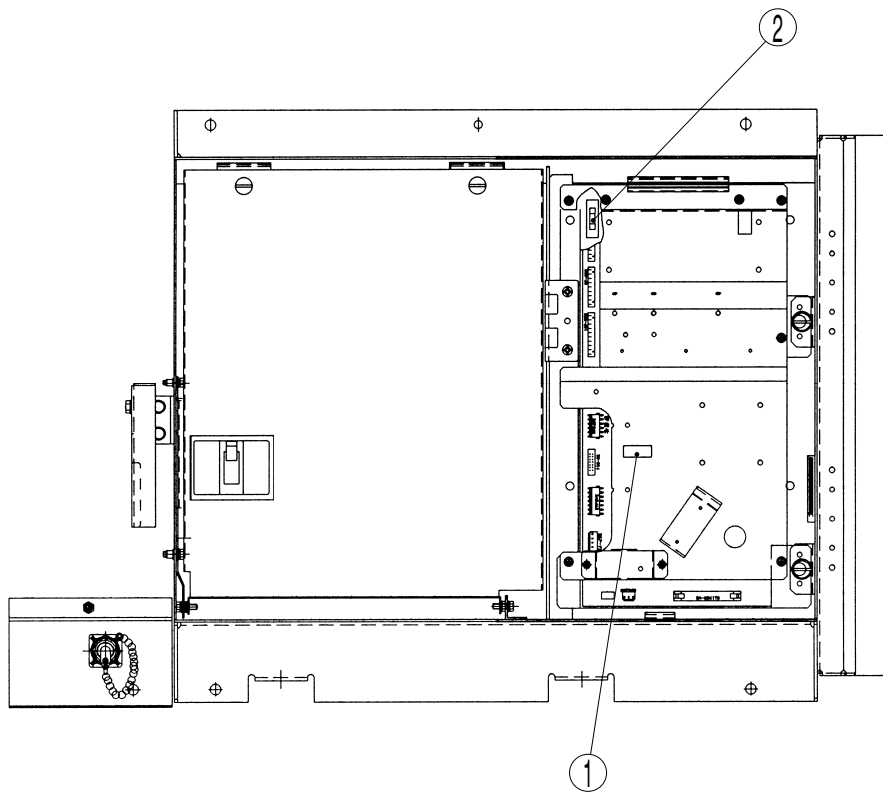
本ユニットは標準機と異なり、ロングタイマとショートタイマの切り替えをユニット起動からの経過時間より行ないます。

●デフロストの開始

	ユニット起動から72時間以内	ユニット起動から72時間以降
デフロストの開始	ショートタイマ (4 hr) とロングタイマの短かい方のタイマでデフロストを開始します。	ロングタイマでデフロストを開始します。

4. コントロールボックス

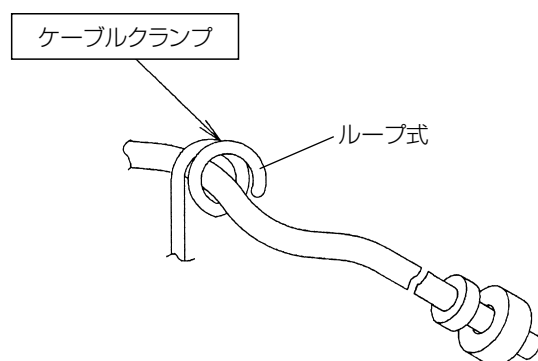
●コントロールボックス内側



- ① パソコンリセブタクル
- ② ヒューズホルダ／予備ヒューズ

5. ケーブルクランプ金具

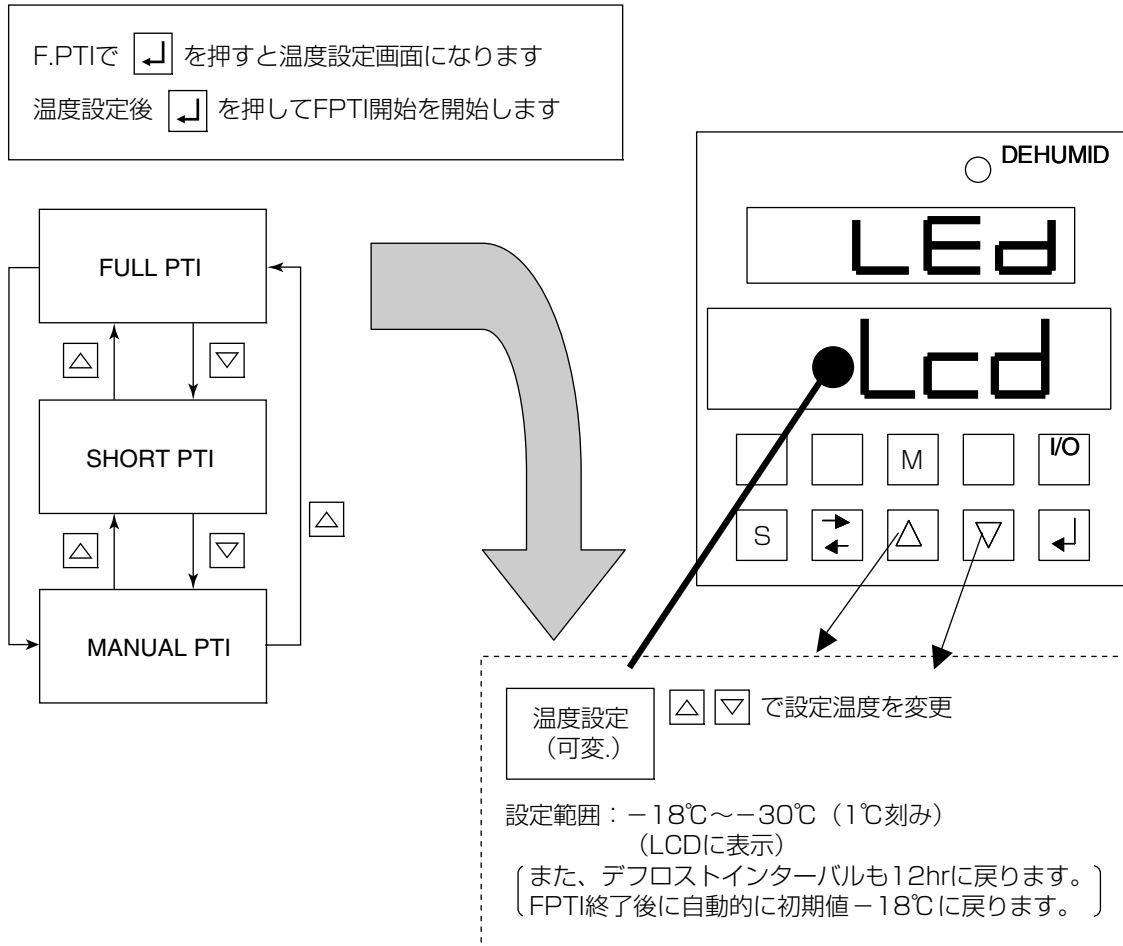
トレーラ、鉄道シャーシ上で運転する場合は、必ずケーブルクランプで電源ケーブルを固定しておくこと。



6. F.PTI仕様

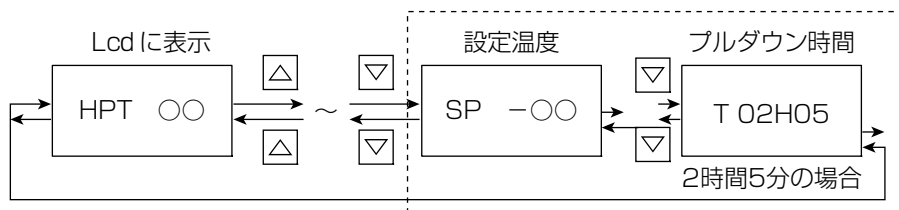
この装置は標準機にF.PTI実施時の下記①～④までの機能が追加されています [] で囲む箇所が追加された機能です

①F.PTI時の設定温度入力



②F.PTI時の設定温度およびプルダウン時間の表示

センサー表示モードをアップダウンキーでスクロールさせるとDRSの後に表示します

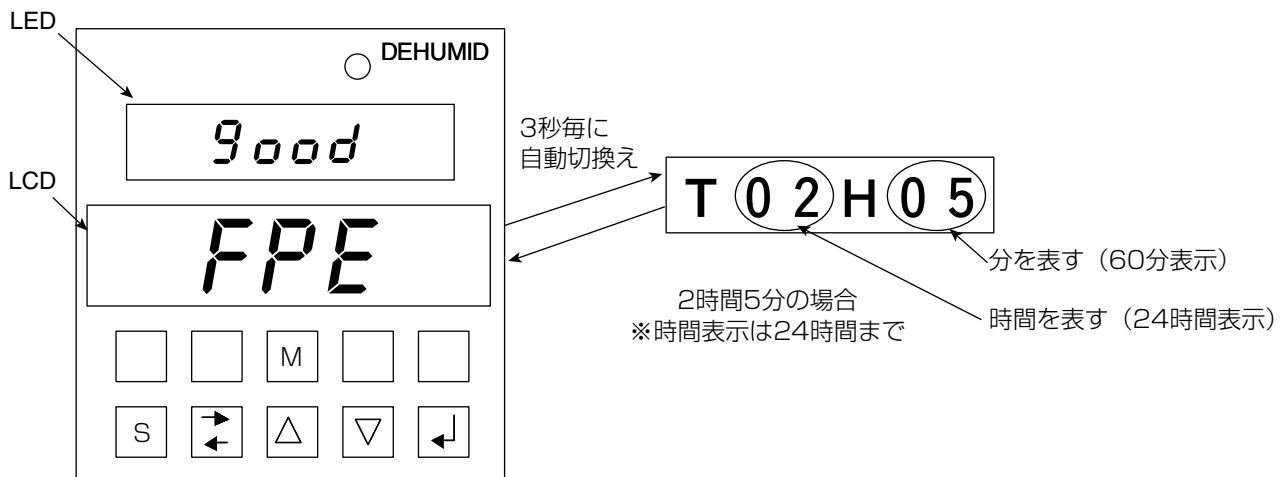


③F.PTIステップ表示内容とアラーム一覧

ステップ	項目	アラーム表示	
P50	0℃までのプルダウンをチェック	J501	外気温度条件外
		J502	プルダウン時間超過
P60	チルド運転の制御性をチェック		
P70	デフロストのチェック	J701	デフロスト開始条件外
		J702	デフロスト時間超過
P80	0℃から-18℃または、までのプルダウンのチェック ■SP=-18℃の場合■	J801	プルダウン時間超過 (3時間以内に-18℃に到達しない場合)
	0℃から設定温度(-18~-30℃)までのプルダウンのチェック ■SP<-18℃の場合■	J801	プルダウン時間超過 (24時間以内にSPに到達しない場合) ※デフロスト時間は除く
P90	フローズン運転の制御性をチェック		

④F.PTI後の表示

F.PTIが異常なく終了すると『FPE』⇔『時間』を3秒間隔でLCDに交互に表示されます (T〇〇H〇〇)



⑤プルダウン時のデフロスト

ショートタイマーデフロスト (4hr, 6hr) は行わない
但し吸込空気温度が0.2℃/1hr以上降下しない場合はデフロストを開始する

7. 圧力センサ

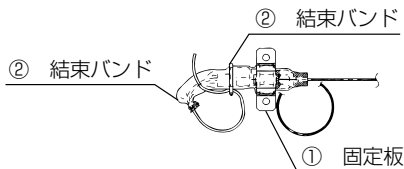
7.1 低圧圧力センサ (LPT)

形式	LXE10E-A12C,A12D,A12E,A12F	
センサ形式	NSK-BC010F	
識別色	センサ	黒ボディ
	コネクタ	なし

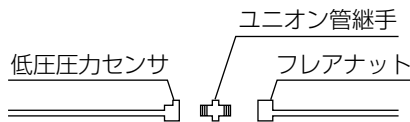
低圧圧力センサは冷媒系統に取り付けられ、コントローラに運転中の低圧圧力を表示します。

(1) 交換方法

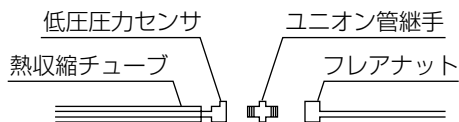
- ①コントロールボックス内のリード線を取り外します。
- ②冷媒流出防止のため、低圧圧力センサ配管を圧縮機側ゲージ継手（逆止弁付）③から外します。
- ③低圧圧力センサを固定している固定板のネジを取り外し結束バンドを切り取ります。



- ④熱収縮チューブを取り除き、コネクタを低圧圧力センサから取り外します。



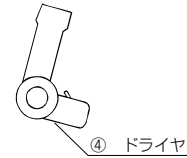
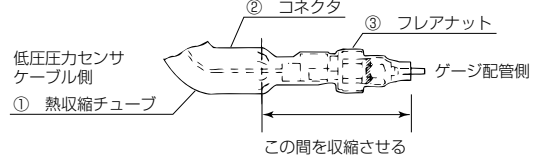
- ⑤熱収縮チューブを圧力センサケーブルに通し、ユニオン管継手およびコネクタを接続します。
接続時、圧力センサの塗料が取れた場合はクリア塗料でタッチアップしてください。



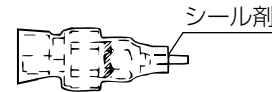
⚠ 注意

低圧圧力センサにドライヤの熱風を、長時間あてないこと。センサを破損する恐れがあるためです。

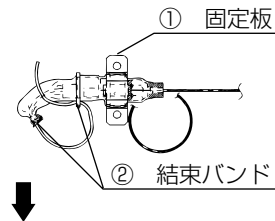
- ⑥熱収縮チューブを下図の位置に合わせて、ドライヤを当て収縮させます。



- ⑦熱収縮チューブとフレアナット間をシールします。（シール剤：KE4898）



- ⑧低圧圧力センサを固定板で取り付け、結束バンドでケーブルを固定します。
低圧圧力センサ側の熱収縮チューブの端部は下向きに固定し、水が入らないようにしてください。



低圧圧力センサ側の熱収縮チューブの端部は下向きに固定する。

7.2 高圧圧力センサ (HPT)

形式	LXE10E-A12C,A12D,A12E,A12F	
センサ形式	NSK-BC030F	
識別色	センサ	赤茶ボディ
	コネクタ	なし

高圧圧力センサは冷媒系統に取り付けられ、コントローラに運転中の高圧圧力を表示します。

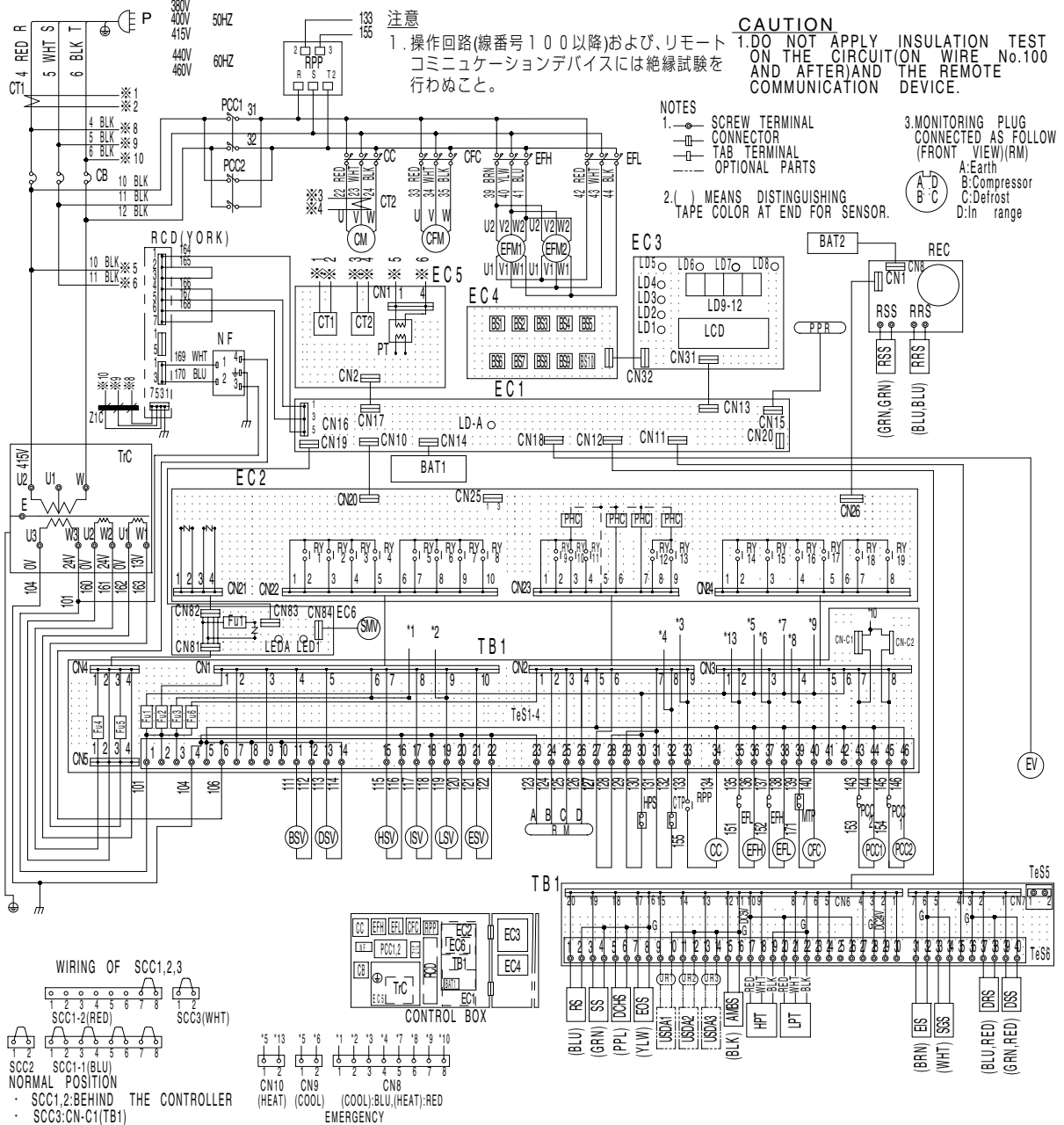
(1) 交換方法

交換方法は低圧圧力センサと同じです。取付位置と接続ケーブルを間違えないように交換してください。

8. シーケンス

8.1 LXE10E-A12C, A12D

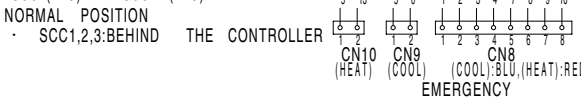
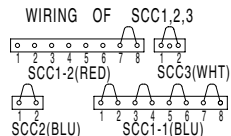
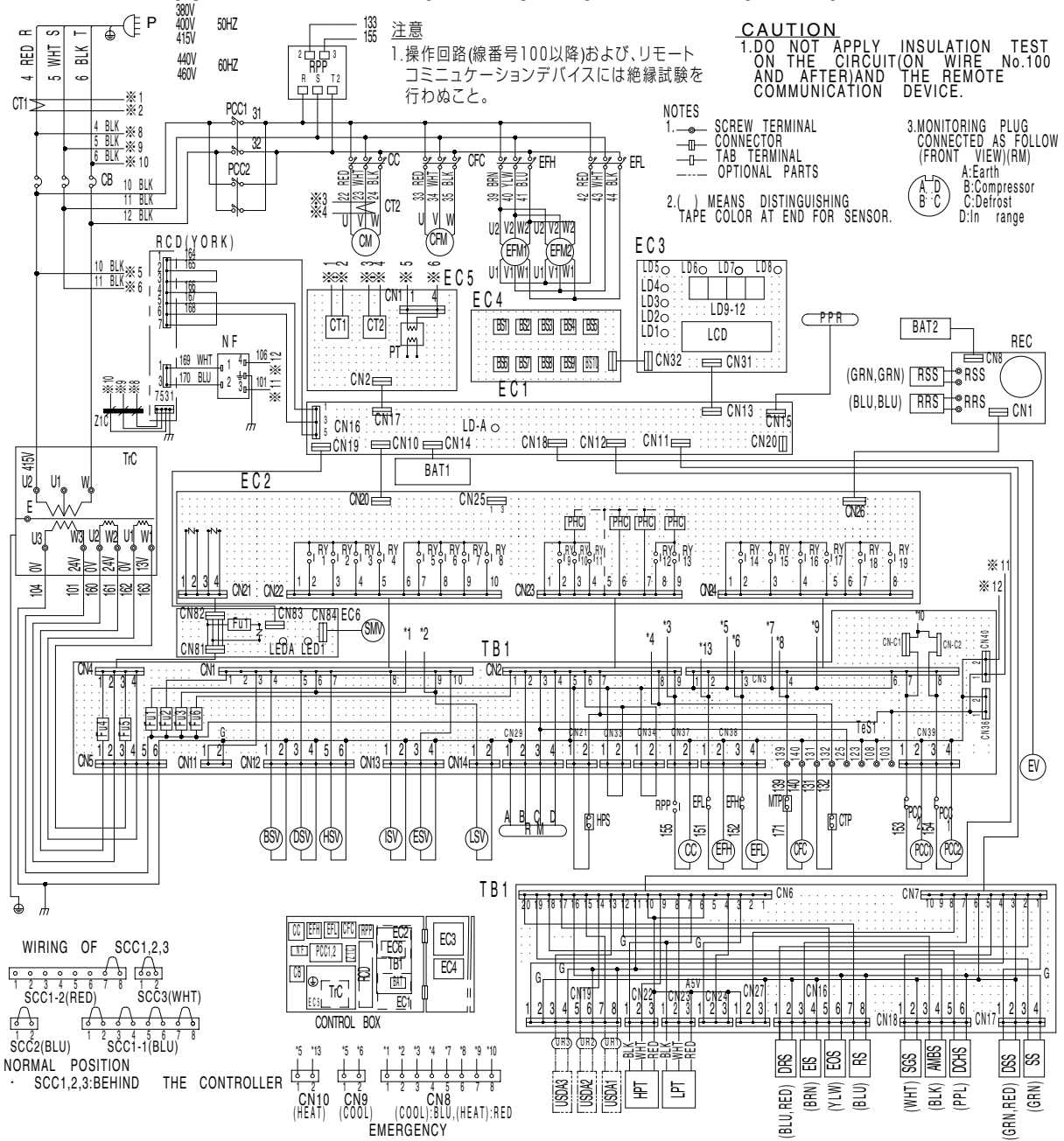
CONTAINER REFRIGERATION UNIT WIRING DIAGRAM



AMBS	AMBIENT TEMP.SENSOR	EFL	LOW SPEED EVAPORATOR FAN CONTACTOR	LD9-12	LIGHT-EMITTING DIODE	SGS	SUCTION GAS SENSOR
BAT1,2	BATTERY	EFM1,2	EVAPORATOR FAN MOTOR	LEDA	SERVICE MONITOR-GREEN(EC6)	SMV	SUCTION MODULATING VALVE
BSV	GAS BYPASS SOLENOID VALVE	EIS	EVAPORATOR INLET SENSOR	LED1	LIGHT-EMITTING DIODE(EC6)	SS	SUPPLY AIR SENSOR
BS1-10	PUSH BUTTON SWITCH	EOS	EVAPORATOR OUTLET SENSOR	LPT	LOW PRESSURE TRANSDUCER	TB1	TERMINAL BOARD
CB	CIRCUIT BREAKER(30A)	ESV	ECONOMIZER SOLENOID VALVE	LSV	LIQUID SOLENOID VALVE	TcT	CONTROL TRANSFORMER
CC	COMPRESSOR CONTACTOR	EV	ELECTRONIC EXPANSION VALVE	MTP	COND. MOTOR THERMAL PROTECTOR	ZIC	FERRITE CORE
CFC	CONDENSER FAN CONTACTOR	Fu1-6	FUSE Ⓞ (250V.10A)(TB1)	NF	NOISE FILTER		
CFM	CONDENSER FAN MOTOR	Fu1	FUSE Ⓞ (250V.5A)(EC6)	P	POWER PLUG		
CM	COMPRESSOR MOTOR	HPS	HIGH PRESSURE SWITCH	PCC1,2	PHASE CORRECTION CONTACTOR		
CT1,2	CURRENT TRANSFORMER	HPT	HIGH PRESSURE TRANSDUCER	PHC	PHOTO COUPLER		
CTP	COMPRESSOR THERMAL PROTECTOR	HSV	HOT GAS SOLENOID VALVE	PPR	PC PORT RECEPTACLE		
DCHS	COMPRESSOR DISCHARGE SENSOR	ISV	INJECTION SOLENOID VALVE	PT	POTENTIAL TRANSFORMER		OPTIONAL SPECIFICATION
DRS	DATA RECORDER RETURN AIR SENSOR	LCD	LIQUID CRYSTAL DISPLAY	REC	RECORDER	RCD	REMOTE COMMUNICATION DEVICE(YORK) 1
DSS	DATA RECORDER SUPPLY AIR SENSOR	LD-A	SERVICE MONITOR-GREEN(EC1)	RM	REMOTE MONITORING RECEPTACLE	UR1-3	USDA RECEPTACLE 2
DSV	DEFROST SOLENOID VALVE	LD1	LIGHT-EMITTING DIODE(R.H.)	RPP	REVERSE PHASE PROTECTOR	USDA1-3	USDA SENSOR 3
EC1	CPU BOARD (DECOS)	LD2	LIGHT-EMITTING DIODE(ALARM)	RRS	RECORDER RETURN AIR SENSOR		
EC2	I/O BOARD (DECOS)	LD3	LIGHT-EMITTING DIODE(RETURN)	RS	RETURN AIR SENSOR		OPTIONAL ITEM NO.
EC3	DISPLAY BOARD (DECOS)	LD4	LIGHT-EMITTING DIODE(SUPPLY)	RSS	RECORDER SUPPLY AIR SENSOR		EACH MODEL TO EQUIP FOLLOWING OPTIONS.
EC4	SHEET KEY (DECOS)	LD5	LIGHT-EMITTING DIODE(COMP)	Ry1-19	RELAY		· LXE10E-A6 .NIL
EC5	PRINTED CIRCUIT BOARD (PT.CT)	LD6	LIGHT-EMITTING DIODE(DEFROST)	SCC1-1,2	SHORT CIRCUIT CONNECTOR		· LXE10E-A12:NO.1
EC6	ADAPTER BOARD	LD7	LIGHT-EMITTING DIODE(IN RANGE)	SCC2	SHORT CIRCUIT CONNECTOR		· LXE10E-A28:NO.1 & NO.3
EFH	HIGH SPEED EVAPORATOR FAN CONTACTOR	LD8	LIGHT-EMITTING DIODE(DE-HUMID)	SCC3	SHORT CIRCUIT CONNECTOR		

8.2 LXE10E-A12E

CONTAINER REFRIGERATION UNIT WIRING DIAGRAM



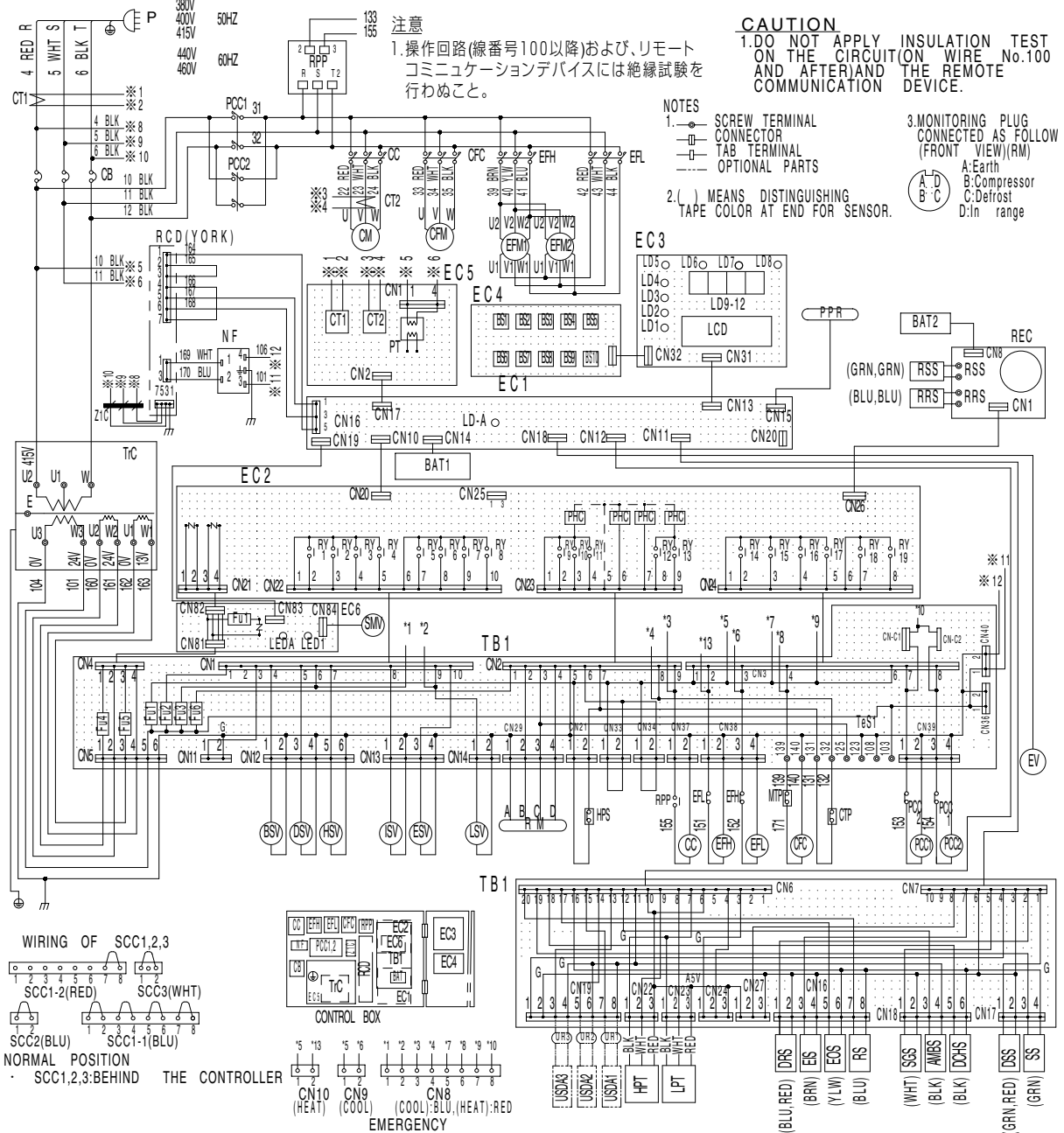
AMBS	AMBIENT TEMP SENSOR	EFL	LOW SPEED EVAPORATOR FAN CONTACTOR	LD9-12	LIGHT-EMITTING DIODE	SGS	SUCTION GAS SENSOR
BAT1,2	BATTERY	EFM1,2	EVAPORATOR FAN MOTOR	LEDA	SERVICE MONITOR-GREEN(EC6)	SMV	SUCTION MODULATING VALVE
BSV	GAS BYPASS SOLENOID VALVE	EIS	EVAPORATOR INLET SENSOR	LED1	LIGHT-EMITTING DIODE (EC6)	SS	SUPPLY AIR SENSOR
BS1-10	PUSH BUTTON SWITCH	EOS	EVAPORATOR OUTLET SENSOR	LPT	LOW PRESSURE TRANSDUCER	TB1	TERMINAL BOARD
CB	CIRCUIT BREAKER(30A)	ESV	ECONOMIZER SOLENOID VALVE	LSV	LIQUID SOLENOID VALVE	TIC	CONTROL TRANSFORMER
CC	COMPRESSOR CONTACTOR	EV	ELECTRONIC EXPANSION VALVE	MTP	COND. MOTOR THERMAL PROTECTOR	Z1C	FERRITE CORE
CFC	CONDENSER FAN CONTACTOR	Fu1-6	FUSE(B) (250V,10A)(TB1)	NF	NOISE FILTER		
CFM	CONDENSER FAN MOTOR	Fu1	FUSE(B) (250V,5A)(EC6)	P	POWER PLUG		
CM	COMPRESSOR MOTOR	HPS	HIGH PRESSURE SWITCH	PCC1,2	PHASE CORRECTION CONTACTOR		
CT1,2	CURRENT TRANSFORMER	HPT	HIGH PRESSURE TRANSDUCER	PHC	PHOTO COUPLER		
CTP	COMPRESSOR THERMAL PROTECTOR	HSV	HOT GAS SOLENOID VALVE	PPR	PC PORT RECEPTACLE		
DCHS	COMPRESSOR DISCHARGE SENSOR	ISV	INJECTION SOLENOID VALVE	PT	POTENTIAL TRANSFORMER		
DRS	DATA RECORDER RETURN AIR SENSOR	LD	LIQUID CRYSTAL DISPLAY	REC	RECORDER		OPTIONAL SPECIFICATION
DSS	DATA RECORDER SUPPLY AIR SENSOR	LD-A	SERVICE MONITOR-GREEN(EC1)	RM	REMOTE MONITORING RECEPTACLE	RCD	REMOTE COMMUNICATION DEVICE(YORK) 1
DSV	DEFROST SOLENOID VALVE	LD1	LIGHT-EMITTING DIODE(LA,H)	RPP	REVERSE PHASE PROTECTOR	UR1-3	URSA RECEPTACLE 2
EC1	CPU BOARD (DECOS)	LD2	LIGHT-EMITTING DIODE(ALARM)	RRS	RECORDER RETURN AIR SENSOR	USDA1-3	USDA SENSOR 3
EC2	IO BOARD (DECOS)	LD3	LIGHT-EMITTING DIODE(RETURN)	RS	RETURN AIR SENSOR		
EC3	DISPLAY BOARD (DECOS)	LD4	LIGHT-EMITTING DIODE(SUPPLY)	RSS	RECORDER SUPPLY AIR SENSOR		OPTIONAL ITEM NO.
EC4	SHEET KEY (DECOS)	LD5	LIGHT-EMITTING DIODE(COMP)	RY1-19	RELAY		EACH MODEL TO EQUIP FOLLOWING OPTIONS.
EC5	PRINTED CIRCUIT BOARD (PT,CT)	LD6	LIGHT-EMITTING DIODE(DEFROST)	SCC1-1,2	SHORT CIRCUIT CONNECTOR		LXE10E-A12:NO.1
EC6	ADAPTER BOARD	LD7	LIGHT-EMITTING DIODE(IN RANGE)	SCC2	SHORT CIRCUIT CONNECTOR		LXE10E-A28:NO.1 & NO.2
EFH	HIGH SPEED EVAPORATOR FAN CONTACTOR	LD8	LIGHT-EMITTING DIODE(DE-HUMID)	SCC3	SHORT CIRCUIT CONNECTOR		

2 D 0 5 2 1 0 4 - 1

LXE10E-A12, A28

8.3 LXE10E-A12F

CONTAINER REFRIGERATION UNIT WIRING DIAGRAM



AMBS	AMBIENT TEMP SENSOR	EFL	LOW SPEED EVAPORATOR FAN CONTACTOR	LD9-12	LIGHT-EMITTING DIODE	SCC3	SHORT CIRCUIT CONNECTOR
BAT1,2	BATTERY	EPM1,2	EVAPORATOR FAN MOTOR	LEDA	SERVICE MONITOR-GREEN(EC6)	SGS	SUCTION GAS SENSOR
BSV	GAS BYPASS SOLENOID VALVE	EIS	EVAPORATOR INLET SENSOR	LED1	LIGHT-EMITTING DIODE (EC8)	SMV	SUCTION MODULATING VALVE
BS1-10	PUSH BUTTON SWITCH	EOS	EVAPORATOR OUTLET SENSOR	LPT	LOW PRESSURE TRANSDUCER	SS	SUPPLY AIR SENSOR
CB	CIRCUIT BREAKER(30A)	ESV	ECONOMIZER SOLENOID VALVE	LSV	LIQUID SOLENOID VALVE	TB1	TERMINAL BOARD
CC	COMPRESSOR CONTACTOR	EV	ELECTRONIC EXPANSION VALVE	MTP	COND. MOTOR THERMAL PROTECTOR	TtC	CONTROL TRANSFORMER
CFC	CONDENSER FAN CONTACTOR	Fu1-6	FUSE(B) (250V,10A)(TB1)	NF	NOISE FILTER	Z1C	FERRITE CORE
CFM	CONDENSER FAN MOTOR	Fu1	FUSE(B) (250V,5A)(EC6)	P	POWER PLUG		
CM	COMPRESSOR MOTOR	HPS	HIGH PRESSURE SWITCH	PCC1,2	PHASE CORRECTION CONTACTOR		
CT1,2	CURRENT TRANSFORMER	HPT	HIGH PRESSURE TRANSDUCER	PHC	PHOTO COUPLER		
CTP	COMPRESSOR THERMAL PROTECTOR	HSV	HOT GAS SOLENOID VALVE	PPR	PC PORT RECEPTACLE		
DCHS	COMPRESSOR DISCHARGE SENSOR	ISV	INJECTION SOLENOID VALVE	PT	POTENTIAL TRANSFORMER		
DRS	DATA RECORDER RETURN AIR SENSOR	LCD	LIQUID CRYSTAL DISPLAY	RCD	REMOTE COMMUNICATION DEVICE(YORK)		OPTIONAL SPECIFICATION
DSS	DATA RECORDER SUPPLY AIR SENSOR	LD1	LIGHT-EMITTING DIODE(LA,H)	REC	RECORDER	UR1-3	USDA RECEPTACLE
DSV	DEFROST SOLENOID VALVE	LD2	LIGHT-EMITTING DIODE(LA,R)	RM	REMOTE MONITORING RECEPTACLE	USDA1-3	USDA SENSOR
EC1	CPU BOARD (DECOS)	LD3	LIGHT-EMITTING DIODE(RETURN)	RRS	RECORDER RETURN AIR SENSOR		OPTIONAL ITEM NO.
EC2	IO BOARD (DECOS)	LD4	LIGHT-EMITTING DIODE(SUPPLY)	RS	RETURN AIR SENSOR		EACH MODEL TO EQUIP FOLLOWING OPTIONS.
EC3	DISPLAY BOARD (DECOS)	LD5	LIGHT-EMITTING DIODE(COMP)	RSS	RECORDER SUPPLY AIR SENSOR		LXE10E-A12:NO.1
EC4	SHEET KEY (DECOS)	LD6	LIGHT-EMITTING DIODE(DEFROST)	Ry1-19	RELAY		LXE10E-A28:NO.1
EC5	PRINTED CIRCUIT BOARD (PT,CT)	LD7	LIGHT-EMITTING DIODE(IN RANGE)	SCC1-1,-2	SHORT CIRCUIT CONNECTOR		
EC6	ADAPTER BOARD	LD8	LIGHT-EMITTING DIODE(DE-HUMID)	SCC2	SHORT CIRCUIT CONNECTOR		
EFH	HIGH SPEED EVAPORATOR FAN CONTACTOR						

ORDERING INSTRUCTIONS

The parts list contains the parts of the DAIKIN Marine Type Container Refrigeration Units. Please read the following items before using the list.

1. When ordering the parts, be sure to specify the model No., the name of part and the type of part. When ordering the parts for which no parts NO. is shown in the PARTS NO. column, be sure to describe DWG.NO..
2. The list shows the parts only for replacement or repairing at the job site. Certain parts require a production lead time or are supplied as a set, so please contact with the nearest DAIKIN PARTS CENTRE.

3. Index symbols;

Meaning of the ranking A,B and C are as follows;

A. The most important spare parts

1. The parts whose malfunction cause fatal damage to the unit.
2. The parts with high risk of malfunction.
3. The parts that are worn out after an extended service period.

B. The important spare parts next to A, but the risk of malfunction is not so high.

C. The parts with low risk of malfunction, but recommendable to stock to cope with damage during handling of container box and long delivery time, etc.

The parts without A, B and C mark is the parts whose necessity is not so high under normal operation.

パーツリスト使用上の注意

このパーツリストはダイキン海上コンテナ冷凍装置の部品を集録してあります。パーツリスト使用にあたっては、必ず次の注意事項をご一読の上使用していただくようお願いいたします。

1. 部品のご注文の際は機種名、部品番号、および部品名、形式を必ずご指定ください。
なお、部品番号欄が空白になっている部品は、図面番号で指示願います。
2. 掲載部品の範囲は、あくまでも現地にて分解修理できるところまで記載しております。
一部部品につき納期のかかるものおよびセット単位となるものもありますので、お近くのダイキンパーツセンター又はサービスステーションに相談願います。

3. INDEXの説明

INDEXのA、B、Cの意味は下記の通りです。

A. 最も重要な部品

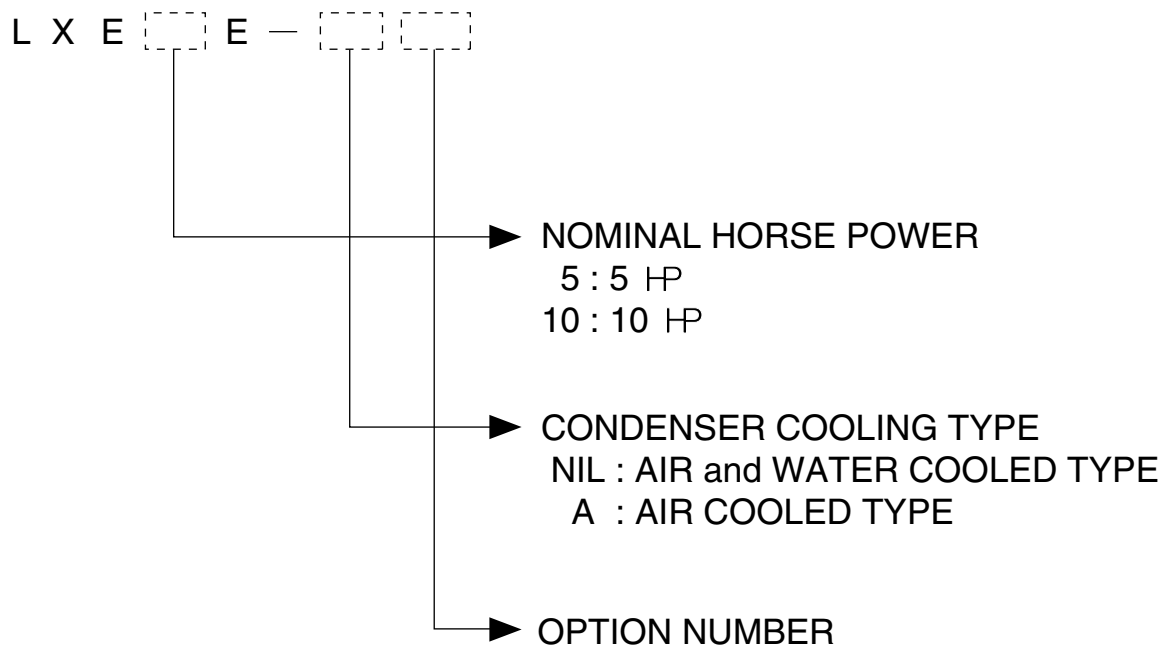
1. 故障した場合に最も重大な損害を与えると思われる部品
2. 故障の確率が高いと思われる部品
3. 長期の使用で摩耗して使用できなくなる部品

B. 故障発生の確率は高くはないが、Aについて重要な部品

C. 故障発生の確率は低いですが、コンテナボックスの運搬中の事故や、部品の納期が長期になるとと思われる等の理由で、在庫をお勧めする部品

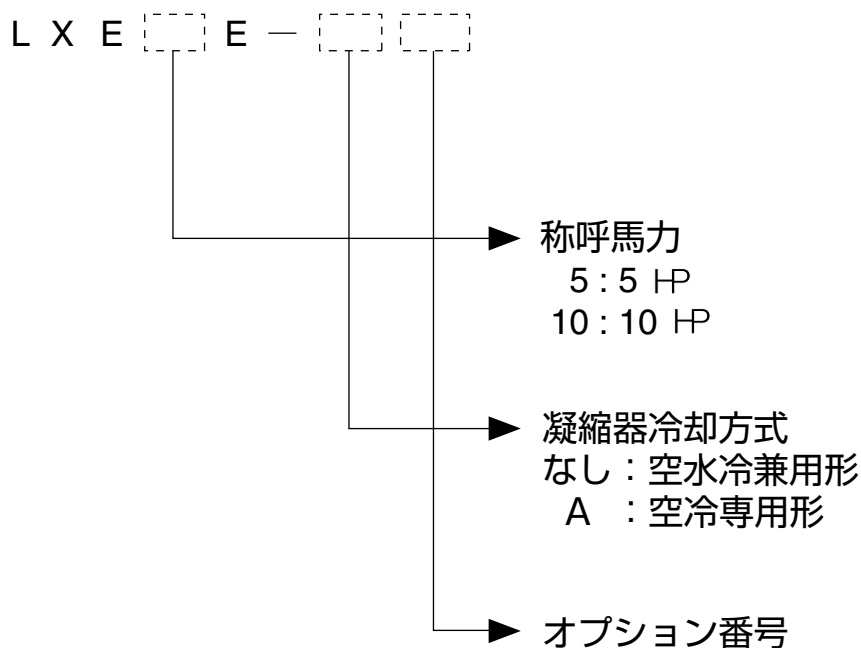
A,B,Cマークの無い部品は、通常の運転では必要性は高くない部品です。

Denomination of Model Name



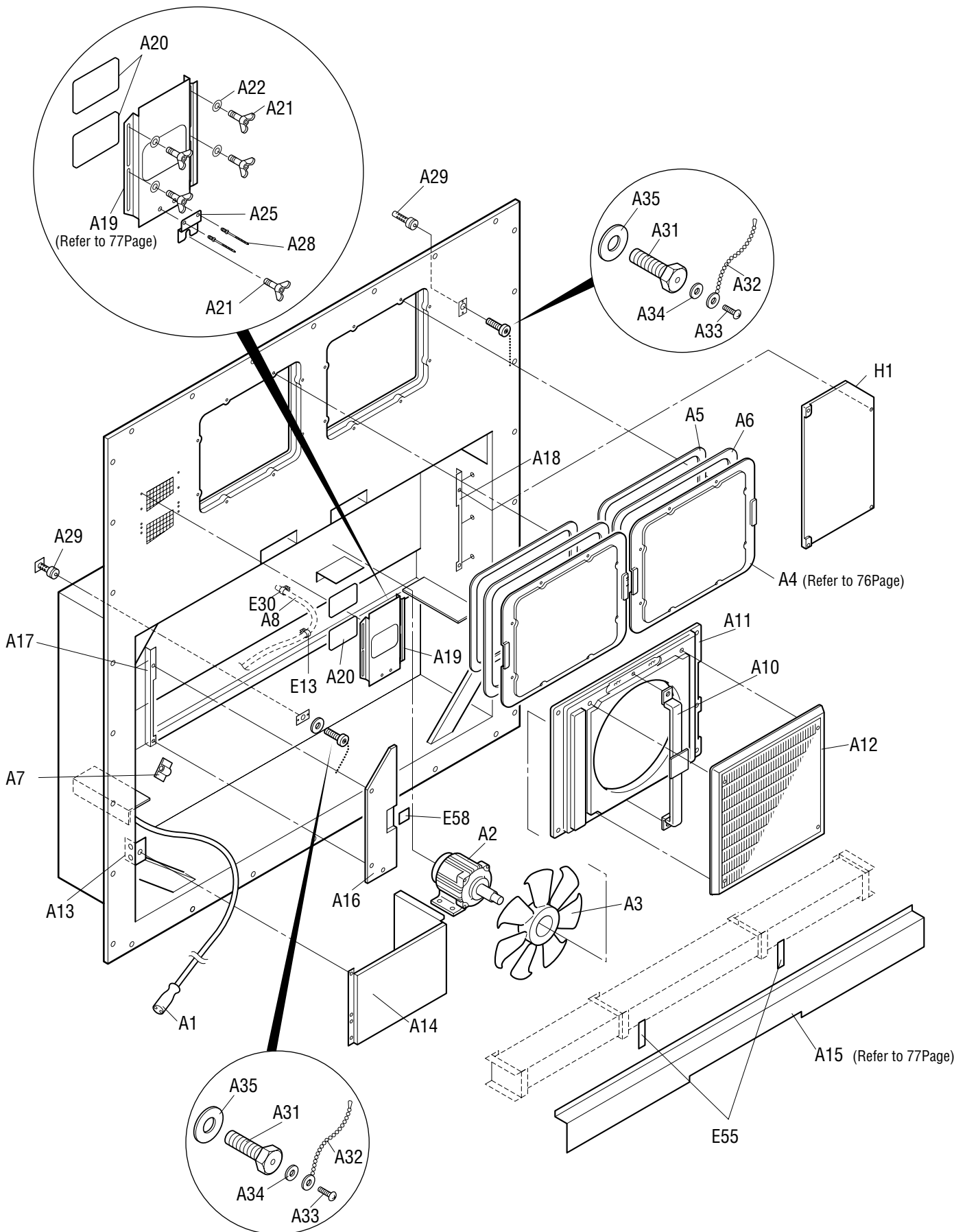
Note) "R" GIVEN AFTER OPTION NUMBER STANDS FOR "REVISION" AND IT IS GIVEN FOR THE UNIT WHICH IS SPECIALLY MODIFIED.

機種名について



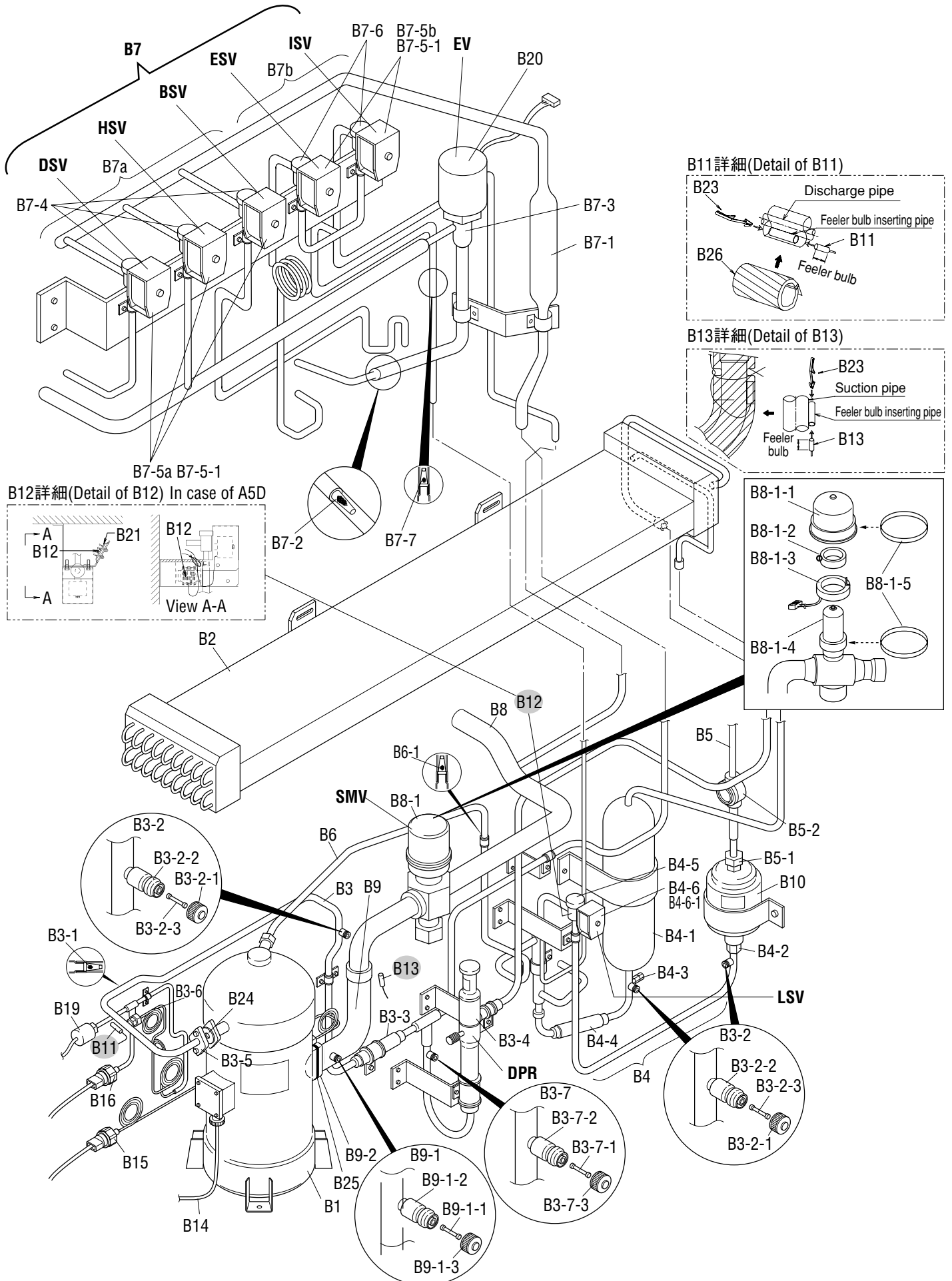
注) オプション番号の後に R がつく機種は、改造機で、特別な仕様が加えられていることを意味します。

	Page
A. Parts related with the unit(outside)..... 庫外関連部品	40
B. Parts related with refrigerant piping(outside) 庫外冷媒配管関連部品	42
C. Parts related with the unit(inside) 庫内関連部品	46
D. Parts related with refrigerant piping(inside) 庫内冷媒配管関連部品	48
E. Other parts(Pipe clamp, sealing and insulation material etc.) その他部品 (配管固定具、シール材、防熱材等)	50
F. Control box コントローラボックス	58
G. Parts related with name plate 銘板関連	66
H. Parts related with option 1 – Recorder box オプション関連部品 1 - レコーダボックス	68
I. Parts related with option 2 – MODEM オプション関連部品 2 - モデム	72
J. List of size for standard pipe clamp 配管固定具サイズ表 1. Resin clamp 樹脂バンド 2. Tube clamp 管止金 3. Cushion rubber for pipe clamp 管止金用緩衝ゴム	74
K. Notes for ordering spare parts..... 部品発注の際の注意事項 1. Parts recommended to be ordered together with packing, gasket, sealing material and name plate 発注の際にパッキングやシール材、銘板等の同時発注を推奨する部品 2. Order for motorized valve, solenoid valve and pressure regulating valve 電動弁・電磁弁・圧力調整弁の発注 3. Order for pressure transducer 圧力センサーの発注 4. Order for temperature sensor 温度センサーの発注	76
L. Measuring and adjusting tools 測定調整用工具 1. Tools for emergency operation 緊急運転用工具 2. Personal computer cable (for DCCS) パソコンケーブル(DCCS用)	81



NO. 符号	INDEX	PARTS NO. 部品番号	PARTS NAME	部品名称	DWG. NO. 図面番号	TYPE SPECIFICATION 形式 仕様	QTY/UNIT				REMARKS 備考
							LXE10E-				
							A12C	A12D	A12E	A12F	
A1		1549647	Power plug(400V class)	電源プラグ (400V)	3P130172-1		1	1	1	1	
A2	A	0954936	Condenser fan motor	凝縮器電動機	3P005566-1		1	1	1	1	
A3	B	0980618	Fan blade(outside)	プロペラファン庫外側	2P004956-1	P44H11S	1	1	1	1	
A4		1612576	Access panel(FRP)	サービス扉組立品	1P006678-5		2	2	2	2	Refer to Page76
A5		1266207	Cushion material(access panel)	クッション材 (サービス扉)	3P033608-1		2	2	2	2	Refer to Page76
A6		1196113	Sealing material(access panel)	シール材 (サービス扉)	3P001640-2		2	2	2	2	Refer to Page76
A7		1326705	Wire clamp	電線止め金	4P090422-1		1	1	1	1	
A8	C	1266199	Drain hose	ドレンホース	3P011299-1	For trap type	1	1	1	1	
A10		1266137	Fan guide stay ass'y(outside)	ファンガイドステー組立品(庫外側)	3P027891-1		1	1	1	1	
A11		1588356	Fan guide(Outside)	ファンガイド (庫外側)	1P050906-6		1	1	1	1	
A12		1588349	Discharge grill	吹出グリル	1PA53427-6		1	1	1	1	
A13		1369663	Mounting plate 2, cable storage	ケーブル収納部取付板2	4P006981-2		1	1	1	1	
A14		1564660	Cabel holding sheet metal	ケーブル収納部板金(圧縮機前板:有/無共用)	3P128458-1		1	1	1	1	
A15	C	1270338	Front plate(CA)	前板 (CA)	2P061345-1		1				Refer to Page77
A15	C	1661299	Front plate(CA)	前板 (CA)	2P165976-1			1	1		Refer to Page77
A15	C	1739286	Front plate(CA)	前板 (CA)	2P173133-1					1	Refer to Page77
A16		1600504	C,BOX Front plate	コントロールボックス前板(左)	2P093861-5		1	1	1	1	
A17		1485527	Fixing plate	外板取付板 (1)	3P116814-1		1	1	1	1	
A18		1631940	Fixing plate	外板取付板 (2)	3P158049-1		1	1	1		
A18		1661321	Fixing plate	外板取付板 (2)	3P170535-1					1	
A19	B	1266120	Ventilation cover	換気口蓋	3P067053-1		1	1	1	1	Refer to Page77
A20		1266221	Sealing material(ventilator)	シール材 (換気口)	4P016185-1		2	2	2	2	Refer to Page77
A21		1775446	Wing bolt	蝶ボルト	4P048681-2		5	5	5	5	
A22		1430705	Plain washer(Woods round type)	平座金 (木材用丸)	4P066385-8		16	16	16	16	
A25		1266214	Holding plate, ventilator	押エ板	4P067052-1		1	1	1	1	
A28		1494987	Stainless rivet	ステンレスリベット	4P107279-2		2	2	2	2	
A29		1386923	Protection cover	温度計挿入口保護カバー	4P085921-1		2	2	2	2	
A31		1683888	Hexagon head bolt	六角ボルト (温度計挿入口)	4P065135-1		2	2	2	2	
A32		1386930	Latch(victor chain)	掛金 (ビクターチェーン)	4P063801-1		2	2	2	2	
A33		1775453	Tapping screw	タッピンネジ	4SK05064-10	M3 SUS304	2	2	2		
A33		1266245	Tapping screw	タッピンネジ	4SK05064-8	M3 SUS304				2	
A34		844012S	Plain washer	平座金	4SK07005-3	M3SUS	2	2	2	2	
A35		1267084	Gasket, resin bolt	パッキン樹脂ボルト用	4PA63573-1		2	2	2	2	
H1		1587726	Recorder box ass'y for welding	レコーダ BOX溶接組立図	2P048643-8		1	1	1	1	
E13		1266788	Resin clamp	樹脂バンド	NE41015-12	MILK WHITE	6	6	6	6	
E30		537320	Hose band	ホースバンド	R4716528-3		2	2	2	1	
E55		1267077	Packing for prevention of vibration	CA前板ビビリ防止パッキン	4P050050-1		2	2	2	2	
E58		1381081	Rubber gasket	ゴムガスケット(コントロールボックス蓋用パッキン)	4P085198-1		1	1	1		
E58		1497188	Rubber gasket	パッキン(コントロールボックス蓋)	4P111693-1					1	

Parts related with refrigerant piping(outside)
 庫外冷媒配管関連部品



NO. 符号	INDEX	PARTS NO. 部品番号	PARTS NAME	部品名称	DWG. NO. 図面番号	TYPE SPECIFICATION 形式 仕様	QTY/UNIT				REMARKS 備考
							LXE10E-				
							A12C	A12D	A12E	A12F	
B1	A	1199415	Compressor	圧縮機	JT224D-NYR		1	1	1	1	
B2	C	1387173	Air cooled condenser	空冷凝縮機	2P089486-1	CA-LXE10E1	1	1	1	1	
B3			Discharge pipe ass'y	吐出配管組立品	2P117329-1		1	1	1	1	
B3-1	C	1199167	Strainer	ストレーナ	4P051389-1		1	1	1	1	
B3-2	C	1178920	Service valve ass'y	サービスバルブ組立品	3P048905-1		3	3	3	3	
B3-2-1	B	117592J	Service valve cap	キャップ	3P048905-1-KU		3	3	3	3	
B3-2-2	B		Service valve body	本体	3P048905-1-KA		3	3	3	3	
B3-2-3	B	1178850	Valve core	バルブコア	3P048905-1-KI		3	3	3	3	
B3-3	B	0684220	Check valve	逆止弁	3SA27008-1		1	1	1	1	
B3-4	A	1241361	Discharge pressure regulating valve	吐出圧力調整弁	3P074558-1		1	1	1	1	Refer to Page78
B3-5		1266276	Flange(convex)	吐出管フランジ (凸)	4P065933-1		1	1	1	1	
B3-6	B	292011	Gauge joint(with check valve)	逆止弁付ゲージ継手	2PF00177-1	VCG2DA	1	1	1	1	
B3-7	C	1178937	Service valve ass'y	サービスバルブ組立品	3P048907-1		1	1	1	1	
B3-7-1	B	1178867	Valve core	バルブコア	3P048907-1-KI		1	1	1	1	
B3-7-2	B	1637498	Service valve body	本体	3P048907-1-KA		1	1	1	1	
B3-7-3	B	117591J	Service valve cap	キャップ	3P048907-1-KU		1	1	1	1	
B4		1655939	Liquid receiver ass'y	受液器組立品	2P162878-1		1	1			
B4		1679036	Liquid receiver ass'y	受液器組立品	2P162878-2				1	1	
B4-1		1266283	Liquid receiver	冷媒調整器	4P081428-1	φ90×11.5	1	1	1	1	
B4-2		013785J	Flare nut	フレアナット	4SK23011-4	FNS4 φ12.7	1	1	1	1	
B4-3	A	1498035	Fusible plug	可熔栓	3SA27103-1		1	1	1	1	
B4-4		0299134	Filter	フィルタ	3SA26004-2		1	1	1	1	
B4-5	B	1411533	Solenoid valve body	電磁弁本体	3SA52069-1		1	1	1	1	Refer to Page78
B4-6	A	1726398	Solenoid valve coil ass'y	電磁弁コイル組立品	3P171342-4				1	1	Refer to Page78
B4-6-1	A	0955287	Solenoid valve coil	電磁弁コイル	3P010453-1		1	1	1	1	Refer to Page78
B5			Liquid pipe ass'y	液配管組立品	3P162887-1		1	1	1	1	
B5-1		013785J	Flare nut	フレアナット	4SK23011-4	FNS4 φ12.7	1	1	1	1	
B5-2	A	0622107	Liquid moisture indicator	サイトグラス	3PA51270-3	SGN12S	1	1	1	1	
B6			Injection tube ass'y	インジェクション管組立品	3P162892-1		1	1	1	1	
B6-1	C	0085296	Strainer	ストレーナ (100メッシュ)	R4697892		1	1	1	1	
B7			Expansion valve pipe ass'y	膨張弁配管全体組立品 (P&O)	2P167600-1		1	1			
B7			Expansion valve pipe ass'y	膨張弁配管全体組立品 (P&O)	2P167600-3				1		
B7			Expansion valve pipe ass'y	膨張弁配管全体組立品 (標準)	2P182000-3					1	
B7a		1557275	Motor operated valve ass'y	電動弁組立品	2P133805-2		1	1	1	1	
B7-1		1505748	Filter	フィルタ	3P011071-1		1	1	1	1	
B7-2	C	1490846	Strainer	ストレーナ	4P051958-1		1	1	1	1	
B7-3	A	125649J	Electronic expansion valve body ass'y	電子膨張弁本体組立品	2SA50010-2-KU		1	1	1	1	Refer to Page78
B7-4	B	1411533	Solenoid valve body	電磁弁本体	3SA52069-1		3	3	3	3	Refer to Page78
B7-5a	A	1726374	Solenoid valve coil ass'y(BSV・DSV・HSV)	電磁弁コイル組立品 (BSV・DSV・HSV)	3P171342-2				1	1	
B7-5-1	A	0955287	Solenoid valve coil	電磁弁コイル	3P010453-1		3	3			Refer to Page78

● When ordering the parts whose No. are not shown in the PARTS NO. column, be sure to describe DWG. NO..

● 部品番号欄が空白になっている部品は、図面番号で、指示願います。

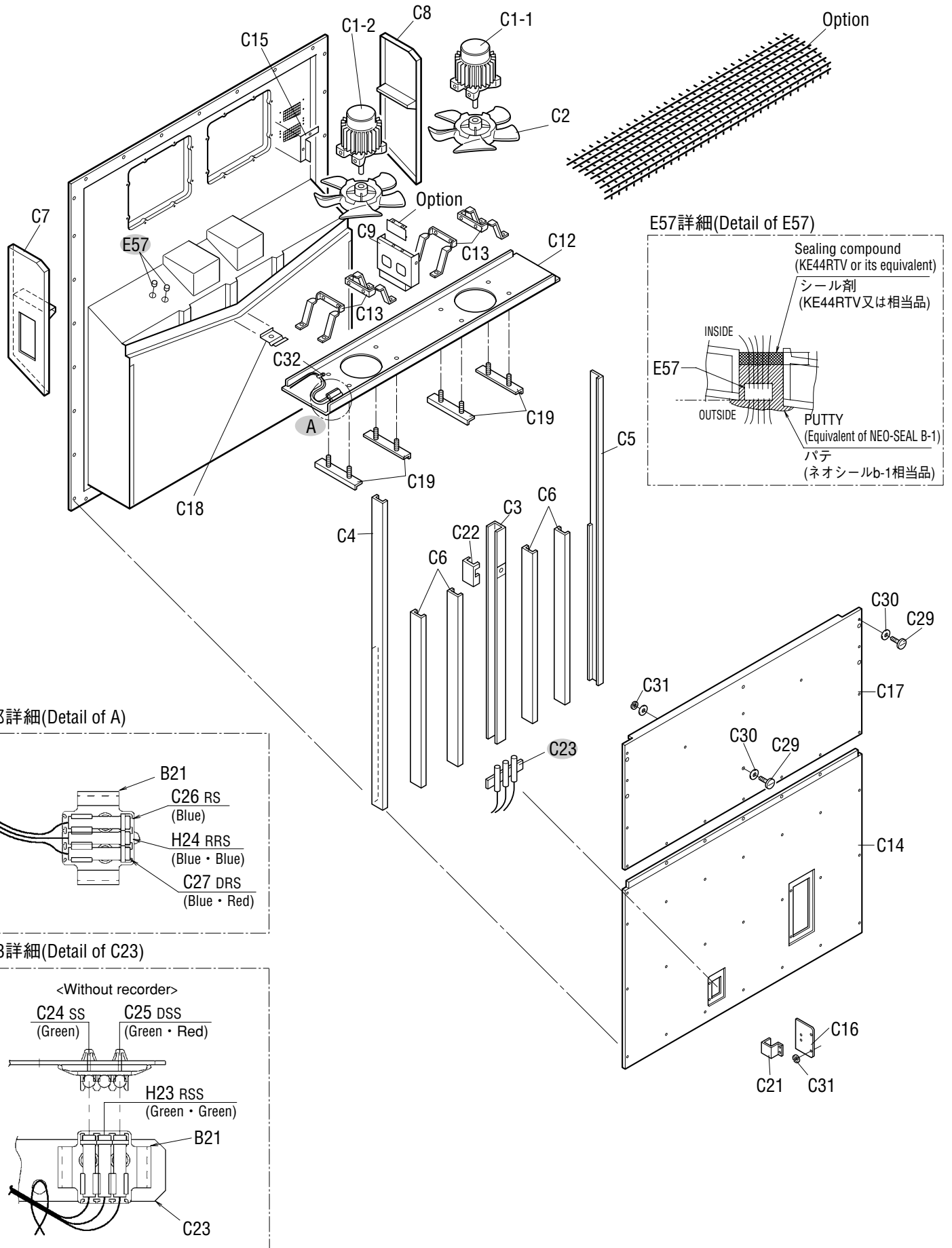
Parts related with refrigerant piping(outside)
庫外冷媒配管関連部品

NO. 符号	INDEX	PARTS NO. 部品番号	PARTS NAME	部品名称	DWG. NO. 図面番号	TYPE SPECIFICATION 形式 仕様	QTY/UNIT				REMARKS 備考
							LXE10E-				
							A12C	A12D	A12E	A12F	
B7-5-1	A	1266290	Solenoid valve coil	電磁弁コイル	3P010453-2			3	3	Refer to Page78	
B7b			ISV,ESV pipe ass'y	ISV・ESV配管組立品(標準・P&O)	3P163059-1		1	1			
B7b			ISV,ESV pipe ass'y	ISV・ESV配管組立品(標準・P&O)	3P163059-2				1		
B7b			ISV,ESV pipe ass'y	ISV・ESV配管組立品	3P178353-2					1	
B7-5b	A	1726381	Solenoid valve coil ass'y(ISV・ESV)	電磁弁コイル組立品(ISV・ESV)	3P171342-3				1	1	
B7-5-1	A	0955287	Solenoid valve coil	電磁弁コイル	3P010453-1		2		2	Refer to Page78	
B7-5-1	A	1266290	Solenoid valve coil	電磁弁コイル	3P010453-2			2		2	
B7-6	A	0088738	Nev type solenoid valve body	NEV型電磁弁本体	R3305099-1-KI	NEV-202DXF	2	2	2	2	Refer to Page78
B7-7	C	0964166	Strainer	ストレーナ	4P012568-1		1	1	1	1	
B8		1496781	Suction pipe ass'y(inside)	吸入配管組立品(庫内)	3P071569-2		1	1	1	1	
B8-1	A	1254538	Suction modulating valve ass'y	吸入比例弁組立品	2P078385-1		1	1	1	1	Refer to Page78
B8-1-1		1270376	Upper cover, suction modulating valve	吸入比例弁カバー上	2P078385-1-KA		1	1	1	1	
B8-1-2		1496914	Clamp, suction modulating valve	吸入比例弁クランプ	2P078385-1-KI		1	1	1	1	
B8-1-3		1270390	Coil, suction modulating valve	吸入比例弁コイル	2P078385-1-KU		1	1	1	1	
B8-1-4		1270408	Body, suction modulating valve	吸入比例弁弁本体	2P078385-1-KE		1	1	1	1	
B8-1-5		1270415	Cover band, suction modulating valve	吸入比例弁カバーバンド	2P078385-1-KO		2	2	2	2	
B9			Suction pipe ass'y(outside)	吸入配管組立品(庫外)	3P162880-1		1	1	1	1	
B9-1	C	1178937	Service valve ass'y	サービスバルブ組立品	3P048907-1		2	2	2	1	
B9-1-1	B	1178867	Valve core	バルブコア	3P048907-1-KI		2	2	2	1	
B9-1-2	B	1637498	Service valve body	本体	3P048907-1-KA		2	2	2	1	
B9-1-3	B	117591J	Service valve cap	キャップ	3P048907-1-KU		2	2	2	1	
B9-2		1266315	Square flange	角フランジ	4PA61542-1		1	1	1	1	
B10	A	1241385	Drier ass'y	ドライヤ組立品	3P069859-1		1	1	1	1	
B11-B13	A	1726420	Sensor ass'y(SGS,AMBS,DCHS)	センサ組立品(SGS,AMBS,DCHS)	2P171113-5				1	1	Refer to Page80
B11	A	098332J	Sensor, discharge pipe temperature(DCHS)	吐出管用センサ(DCHS)	3SA48009-10		1	1	1	1	Refer to Page80
B12	A	0798321	Sensor, ambient air temperature(AMBS)	外気温度センサ(AMBS)	3PA61769-6	ST9503-6(NIL)	1	1	1	1	Refer to Page80
B13	A	098333J	Sensor, comp suction pipe temperature(SGS)	圧縮機吸込配管温度用センサ(SGS)	3PA61769-9	ST9503-9(white)	1	1	1	1	Refer to Page80
B14		1266322	Cable(compressor)	ケーブル(圧縮機)	3P063458-1		1	1	1	1	
B15	A	1587942	Low pressure transducer(LPT)	低圧圧力センサ(LPT)	3P141601-1	NSK-BCO10F-070	1	1			Refer to Page79
B15	A	1726451	Low pressure transducer(LPT)	低圧圧力センサ(LPT)	2P171113-8				1	1	Refer to Page79
B16	A	1587959	High pressure transducer(HPT)	高圧圧力センサ(HPT)	3P141602-1	NSK-BCO30F-070	1	1			Refer to Page79
B16	A	1726444	High pressure transducer(HPT)	高圧圧力センサ(HPT)	2P171113-7				1	1	Refer to Page79
B19	A	1241378	High pressure switch	高圧圧力開閉器(HPS)	3P071506-1		1	1			
B19	A	1726437	High pressure switch	高圧圧力開閉器(HPS)	2P171113-6				1	1	
B20	A	138143J	Electronic expansion valve coil	電子膨張弁コイル	2P010454-2		1	1	1	1	Refer to Page78
B21		1605244	Thermister fixing plate, Resin	サーミスタ固定具(樹脂)	3P124175-1		1	1	1	1	
B23		0423968	Mounting spring,thermistor	サーミスタ取付バネ	4PA38890-1		2	2	2	2	
B24	A	0132192	Flange packing, compressor discharge	圧縮機吐出側フランジパッキン	4SK20053-4		1	1	1	1	
B25	A	0395032	Flange packing, compressor suction	圧縮機吸入側フランジパッキン	R4221042-1		1	1	1	1	
B26		1267147	Thermal insulation tube	断熱筒(吸入弁庫外側)	4P073602-1		1	1	1	1	

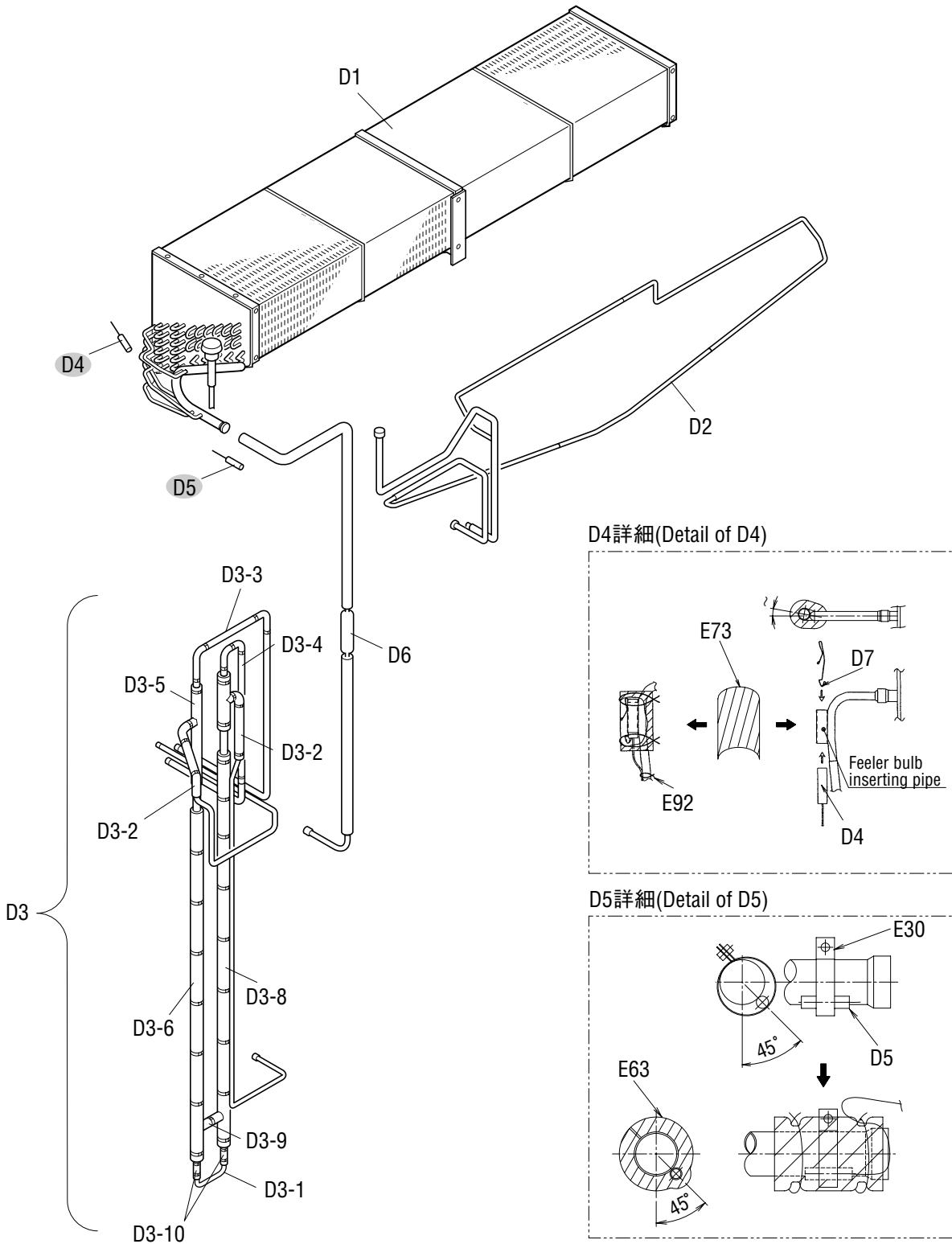
● When ordering the parts whose No. are not shown in the PARTS NO. column, be sure to describe DWG. NO..

● 部品番号欄が空白になっている部品は、図面番号で、指示願います。

NO. 符号	INDEX	PARTS NO. 部品番号	PARTS NAME	部品名称	DWG. NO. 図面番号	TYPE SPECIFICATION 形式 仕様	QTY/UNIT				REMARKS 備考	
							LXE10E-					
							A12C	A12D	A12E	A12F		



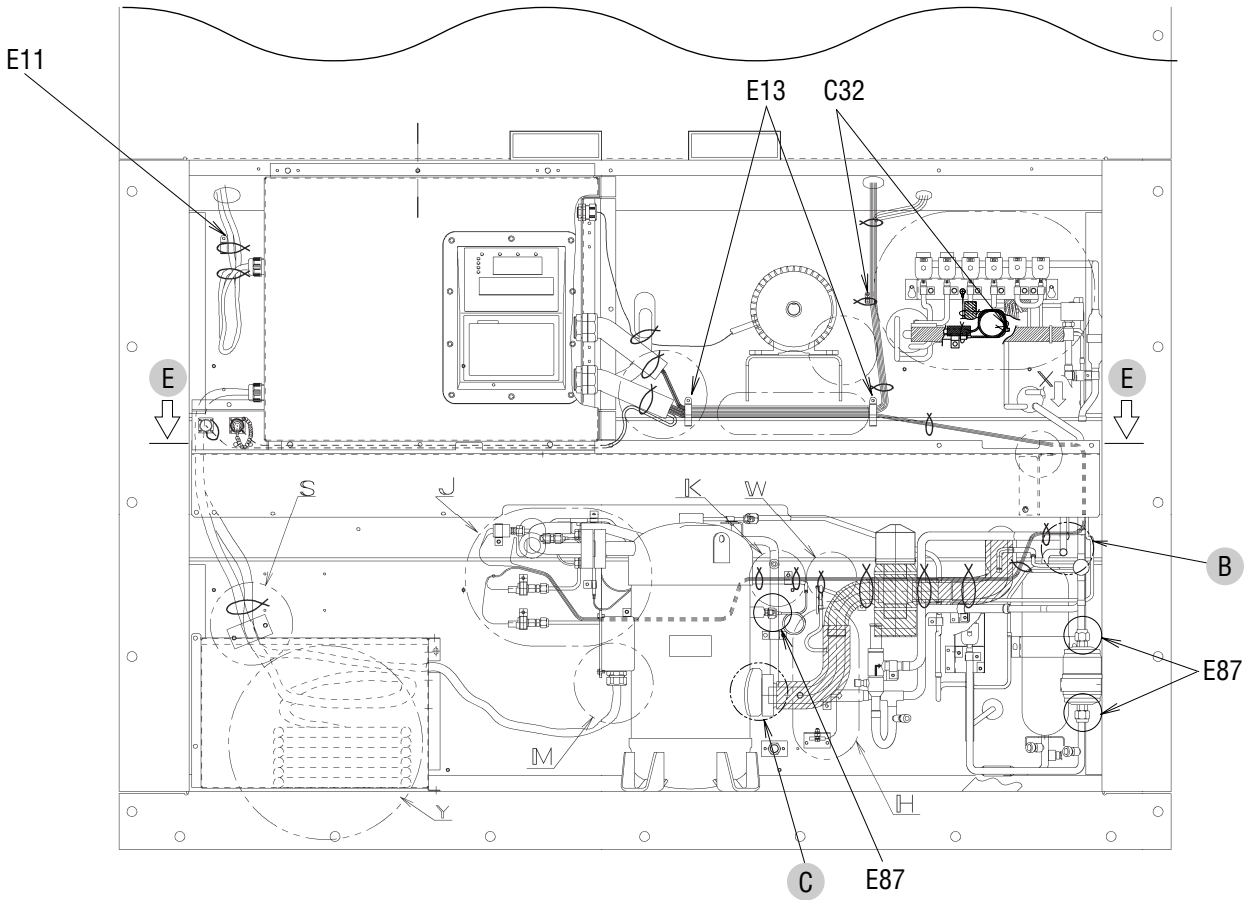
NO. 符号	INDEX	PARTS NO. 部品番号	PARTS NAME	部品名称	DWG. NO. 図面番号	TYPE SPECIFICATION 形式 仕様	QTY/UNIT				REMARKS 備考
							LXE10E-				
							A12C	A12D	A12E	A12F	
C1-1	A	0955333	Three phase AC fan motor	三相交流ファン電動機	3PA07524-4		1	1	1	1	
C1-2	A	0955340	Three phase AC fan motor	三相交流ファン電動機	3PA07524-5	SPRK91A - 42	1	1	1	1	
C2		1511301	Fan Brade(inside)	プロペラファン (庫内側)	2PA60264-3	P32P11F	2	2	2	2	
C3		1656019	Center stay	中央ステー	3P167260-1		1	1	1	1	
C4		1656033	Side stay	サイドステー (1) 裏板アルミ仕様	3P167262-1		1	1	1	1	
C5		1656040	Side stay(2)	サイドステー (2) 裏板アルミ仕様	3P167263-1		1	1	1	1	
C6		1656026	Rear stay	背面ステー (裏板アルミ仕様)	3P167261-1		4	4	4	4	
C7		1655953	Plate finned coil frame plate	蒸発器枠 (1) 標準	2P167270-1		1	1	1	1	
C8		1655960	Plate finned coil frame plate	蒸発器枠 (2) 標準	2P167270-2		1	1	1	1	
C9		1656057	Fan guide fixing plate	ファンガイド固定板	3P167668-1		1	1	1	1	
C12		1266137	Fan guide stay ass'y(outside)	ファンガイドステー組立品(庫外側)	3P027891-1		1	1	1	1	
C13		1565199	Set plate, fan motor	電動機取付脚	3P144888-1		4				
C13		1667172	Fan motor stand leg(1)	ファン電動機台 (脚) 組立品 (1)	3P171676-1			4	4	4	
C14		1380792	Rear plate(Lower)	裏板 (下)	2P094959-1		1	1	1	1	
C15		1266555	Air reflection plate	風向板	4P055257-1		1				
C15		1496990	Shield plate	遮蔽板	4P123922-1			1	1	1	
C16		1380817	Inspection door(supply sensor)	点検蓋 (サブライセンサ)	4P094961-1		1	1	1	1	
C17		1266478	Rear plate(upper)	裏板 (上) 標準	2P080871-1		1	1	1	1	
C18		1266485	Partition plate(drain outlet)	仕切板 (ドレン出口)	4P011317-1		1	1	1	1	
C19		1135978	Reinforce plate, fan motor	補強板 (ファン電動機台)	4P011316-1		4	4	4	4	
C21		1135125	Hinge	蝶番	3P043374-1		1	1	1	1	
C22		1266524	Support plate	支柱補強柱	4P061342-1		1	1	1	1	
C23		1605466	Mounting plate	サブライセンサ取付板	4P144433-1		1	1	1	1	
C24-C25	A	1726413	Sensor ass'y(DSS,SS)	センサ組立品 (DSS,SS)	2P171113-4				1	1	Refer to Page80
C26-C27 D4-D5	A	1726406	Sensor ass'y(DRS,EIS,EOS,RS)	センサ組立品 (DRS,EIS,EOS,RS)	2P171113-2				1	1	Refer to Page80
C24	A	0798299	Sensor(SS)	センサ (SS)	3PA61769-3	ST9503-3(green)	1	1	1	1	Refer to Page80
C25	A	079877J	Sensor(DSS)	センサ (DSS)	3PA61769-8	ST9503-8(green, red)	1	1	1	1	Refer to Page80
C26	A	079827J	Sensor(RS)	センサ (RS)	3PA61769-1	ST9503-1(blue)	1	1	1	1	Refer to Page80
C27	A	0798732	Sensor(DRS)	センサ (DRS)	3PA61769-7	ST9503-7(blue,red)	1	1	1	1	Refer to Page80
C29		1685170	Pan head screw	ナベ小ネジM5SUS (土穴付)	4P167690-1		18	18	18	18	
C30		1685187	Washer	木材座金M5用 (φ20)	4P170127-5		19	19	19	19	
C31		840002	Drop out prevention washer	脱落防止座金	R4718607-6		2	2	1	1	
C32		388339	Fixture	固定具	4PA11782-1		1	1	1	1	
B21		1605244	Therminal fixing plate, Resin	サーミスタ固定具 (樹脂)	3P124175-1		2	2	2	2	
E57		1267091	Wiring protection bush	配線保護ブッシュ	4P023920-1	BLACK	2	2	2	2	
H23	A	0798307	Sensor(RSS)	センサ (RSS)	3PA61769-4	ST9503-4(Green, Green)	1	1	1	1	
H24	A	079828J	Sensor(RRS)	センサ (RRS)	3PA61769-2	ST9503-2(Blue, Blue)	1	1	1	1	



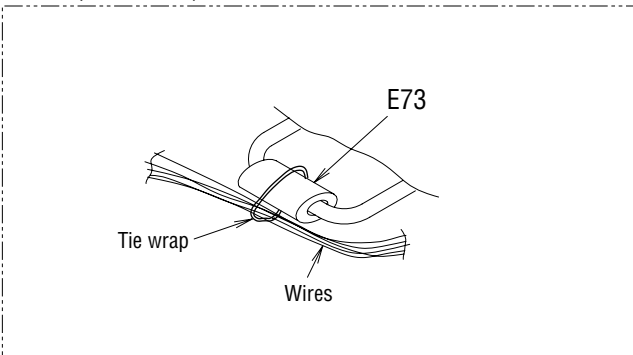
NO. 符号	INDEX	PARTS NO. 部品番号	PARTS NAME	部品名称	DWG. NO. 図面番号	TYPE SPECIFICATION 形式仕様	QTY/UNIT				REMARKS 備考
							LXE10E-				
							A12C	A12D	A12E	A12F	
D1		1562789	Evaporator	蒸发器組立品	2P089487-1	CRB-LXE10E5	1	1	1	1	
D2		1714009	Drain pan pipe ass'y	ドレンパン配管組立品	2P167654-2		1	1	1	1	
D3		1683941	Heat exchanger ass'y with insulation	熱交換器防露筒組立品	3P167421-2		1	1	1	1	
D3-1			Dowble tube heat exchanger ass'y	二重管式熱交換器組立品	2P167001-2		1	1	1	1	
D3-2		1549762	Insulation tube, gas pipe(1)	ガス配管 (1) 防露筒	3P114518-1		2	2	2	2	
D3-3		1683958	Insulation tube, liquid pipe(1)	液配管 (1) 防露筒	3P167441-1		1	1	1	1	
D3-4		1683965	Insulation tube, liquid pipe(2)	液配管 (2) 防露筒	3P167441-2		1	1	1	1	
D3-5		1380918	Thermal insulation tube	断熱筒 (熱交外管)	4P103439-1		1	1	1	1	
D3-6		1380925	Thermal insulation tube	断熱筒 (熱交外管)	4P103439-2		1	1	1	1	
D3-7		1380932	Thermal insulation tube	断熱筒 (熱交外管)	4P103439-3		1	1	1	1	
D3-8		1380949	Thermal insulation tube	断熱筒 (熱交外管)	4P103439-4		1	1	1	1	
D3-9		1549971	Thermal insulation, gas pipe(3)	ガス配管 (3) 防露筒	3P114518-4		1	1	1	1	
D3-10		1549988	Thermal insulation, liquid pipe(3)	液配管 (3) 防露筒	4P110520-2		2	2	2	2	
C26-C27 D4-D5	A	1726406	Sensor ass'y(DRS,EIS,EOS,RS)	センサ組立品 (DRS,EIS,EOS,RS)	2P171113-2				1	1	Refer to Page80
D4	A	156282J	Sensor(EIS)	センサ (EIS)	3P012118-2		1	1	1	1	Refer to Page80
D5	A	156283J	Sensor(EOS)	センサ (EOS)	3PA61769-15		1	1	1	1	Refer to Page80
D6		1266308	Filter	フィルタ	3P032328-1		1	1	1	1	
D7		0423968	Mounting spring,thermistor	サーミスタ取付バネ	4PA38890-1		3	3	3	1	
E30		537320	Hose band	ホースバンド	R4716528-3		2	2	2	1	
E60		1267123	Thermal insulation tube piping	断熱筒配管緩衝材	4P011309-1		2	2	2	2	
E63		1267154	Insulation tube, evaporater header	蒸发器ヘッダー防露筒	4P073525-1		1	1	1	1	

● When ordering the parts whose No. are not shown in the PARTS NO. column, be sure to describe DWG. NO.. ● 部品番号欄が空白になっている部品は、図面番号で、指示願います。

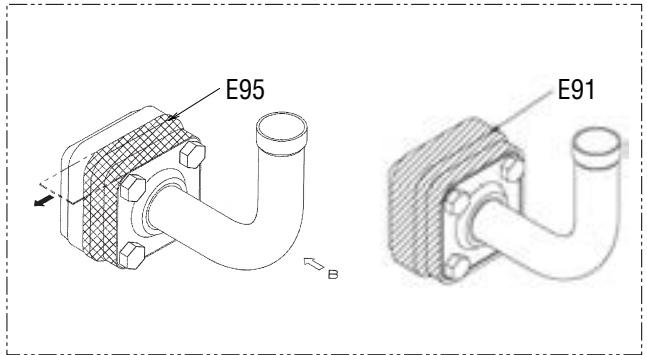
Other parts(Pipe clamp, sealing and insulation material etc.)
 その他部品 (配管固定具、シール材、防熱材等)



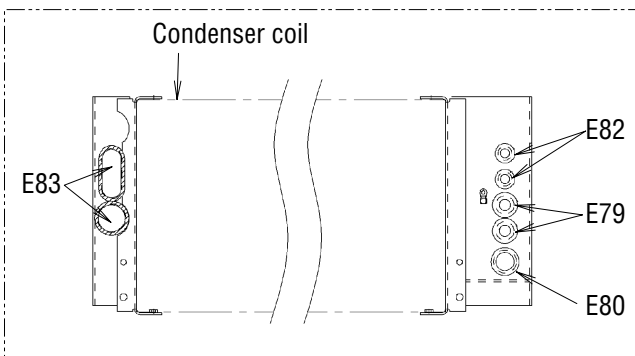
B詳細(Detail of B)



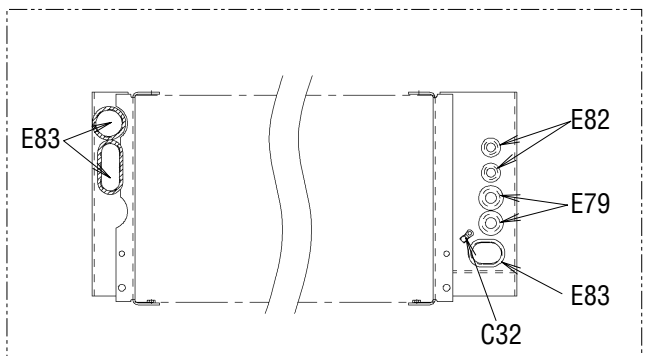
C詳細(Detail of C)



E断面(Section of E) 12C,12D,12E



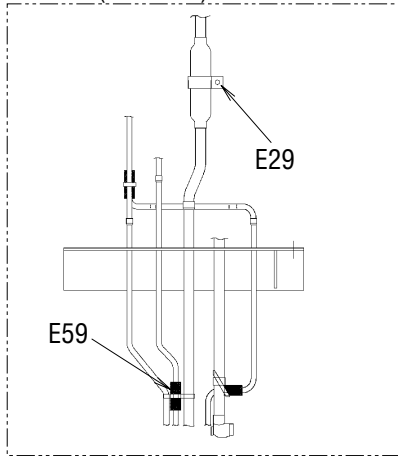
E断面 12F



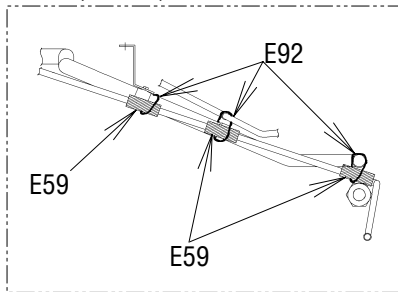
※(L = XX mm) indicates the length of cushion rubber E35.(Cut to suit pipe size.)

※(L = XX mm)と表記のものは、緩衝ゴム(E35)の長さです。(配管のサイズに合わせて切って使用ください。)

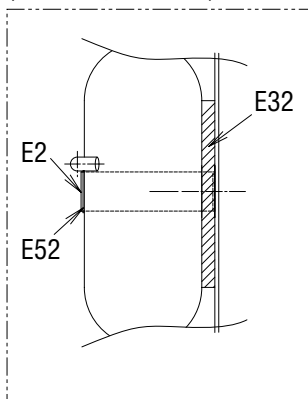
矢視A/B(View A/B)



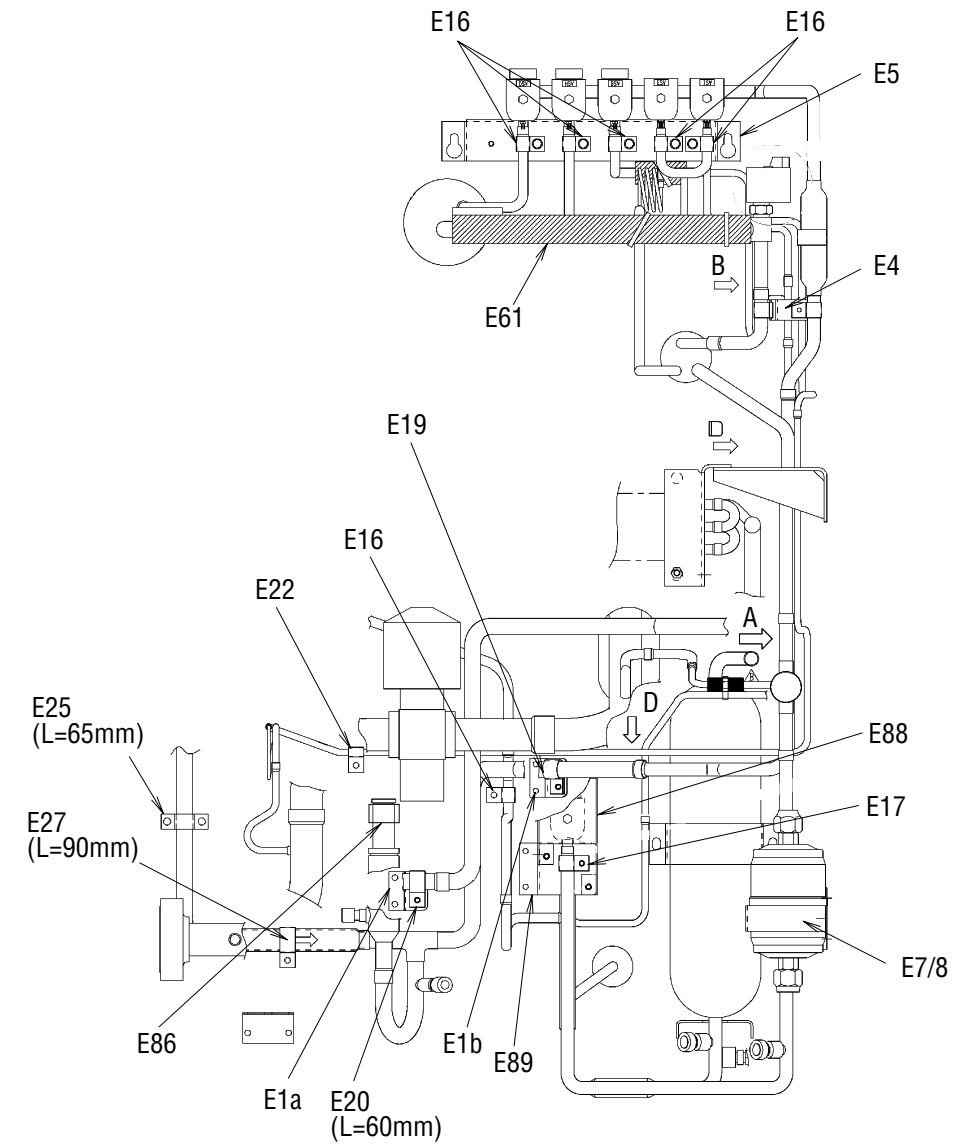
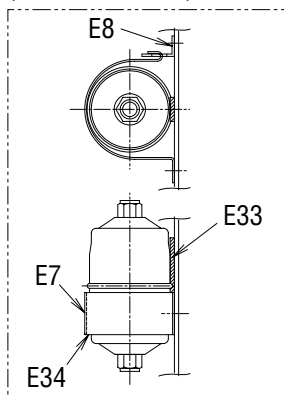
矢視D(View D)



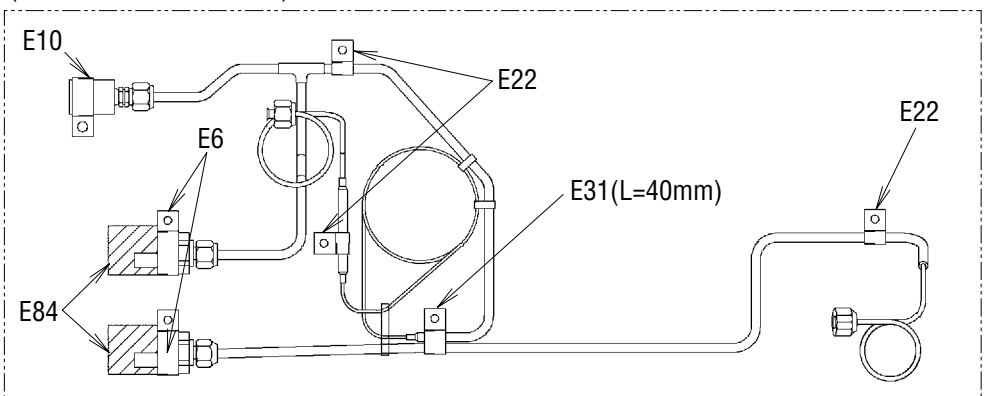
受液機器部詳細
(Receive part detail)



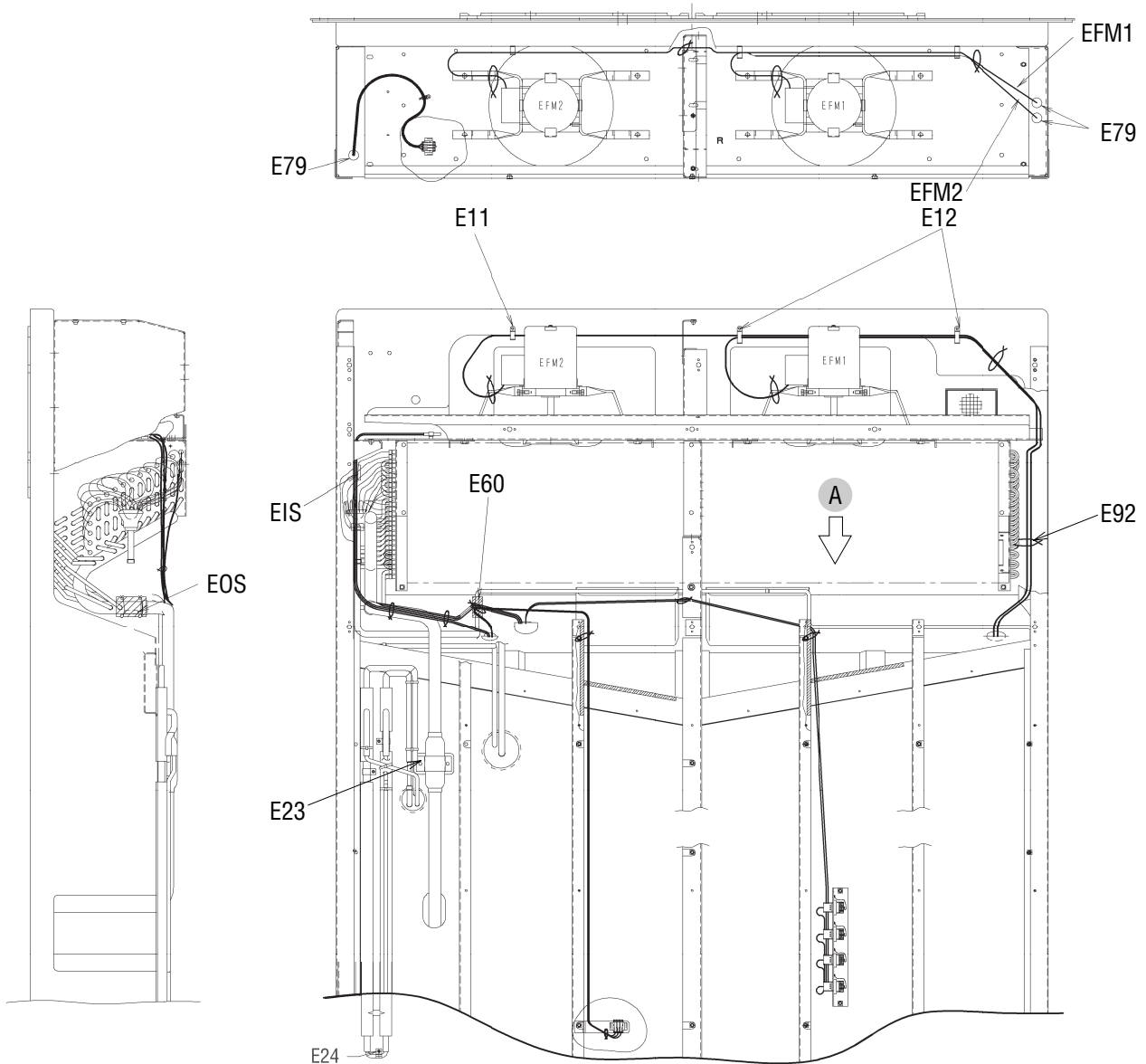
ドライヤー部詳細
(Dryer part detail)



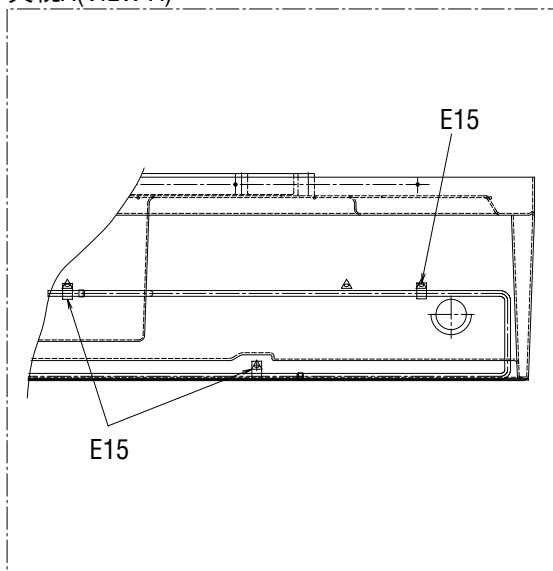
圧力センサー配管部詳細
(Pressure transducer detail)

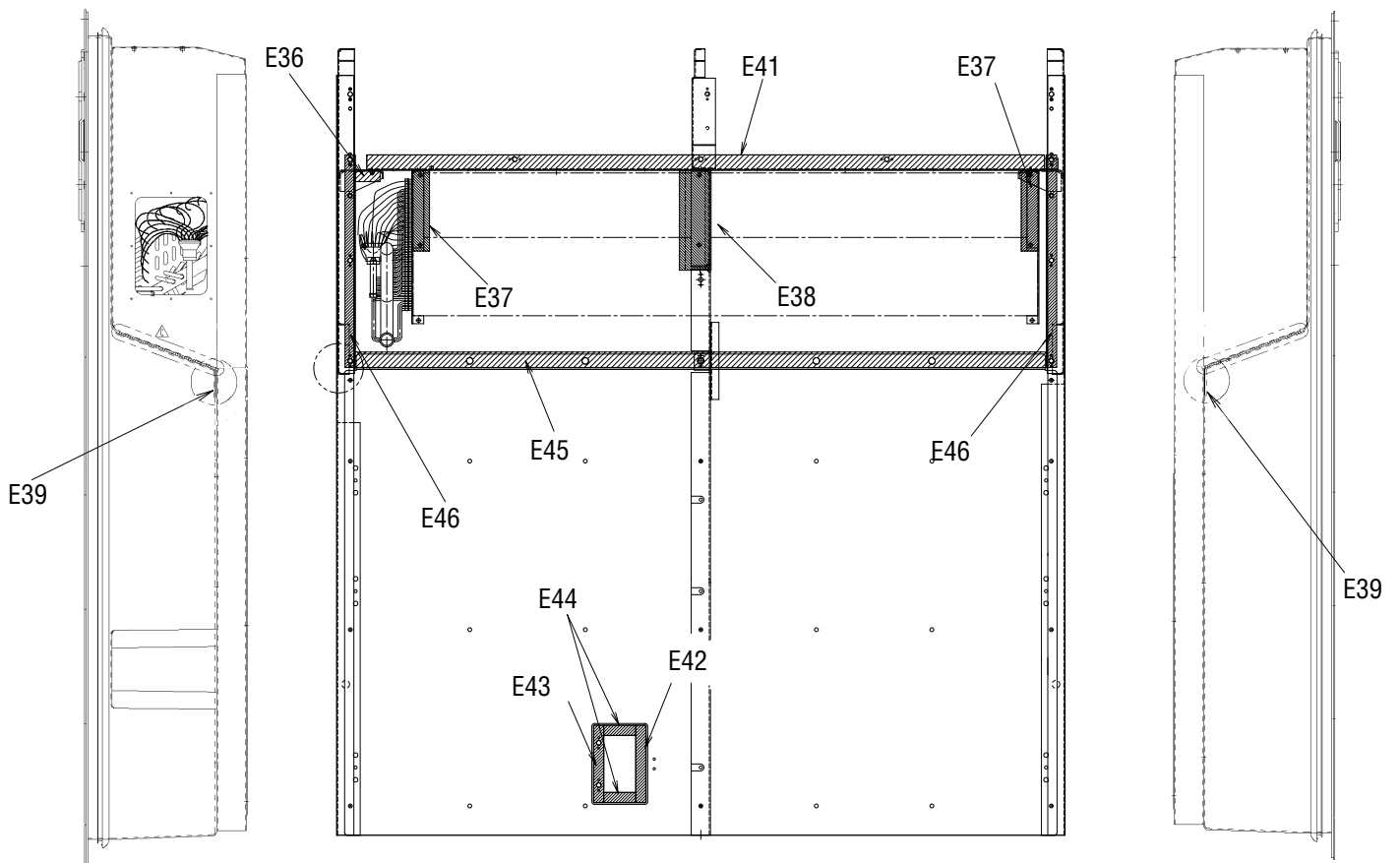
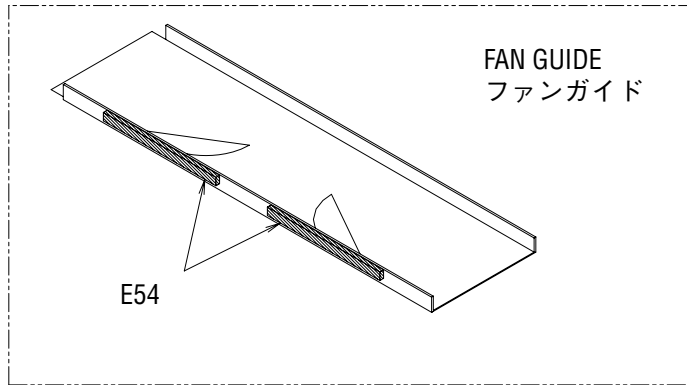


Other parts(Pipe clamp, sealing and insulation material etc.)
その他部品 (配管固定具、シール材、防熱材等)

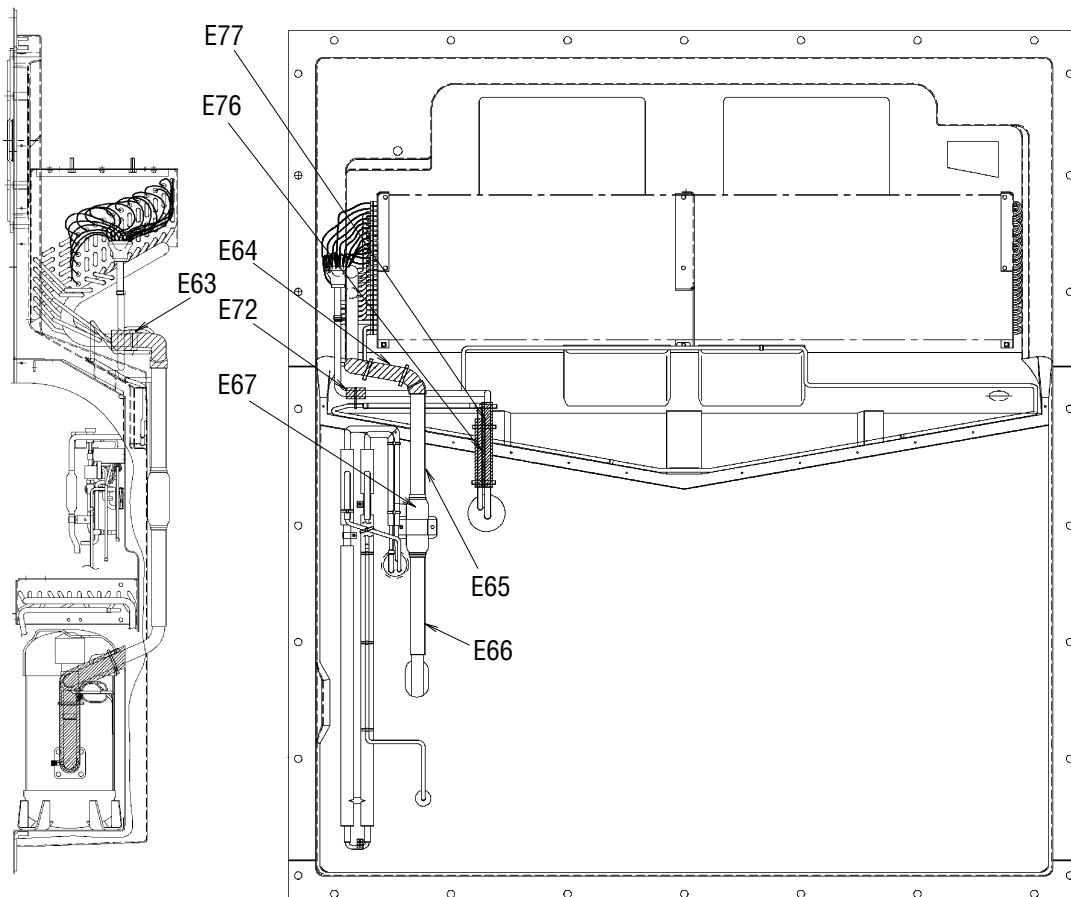
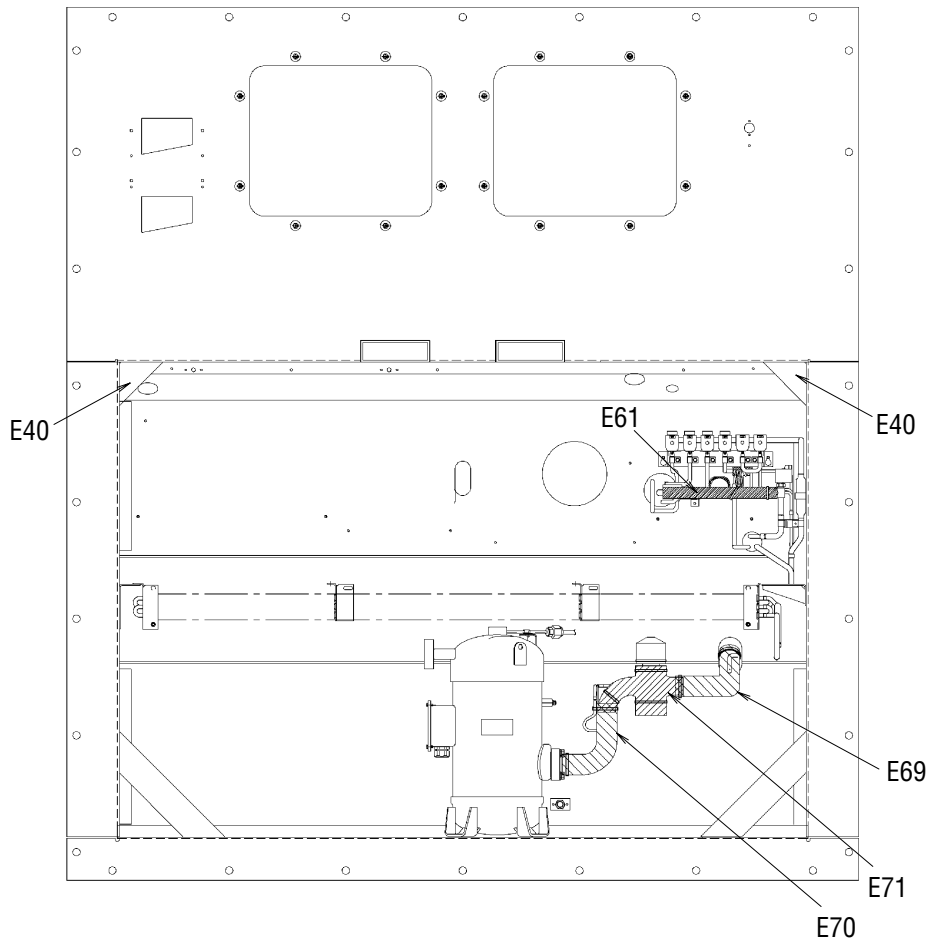


矢視A(VIEW A)





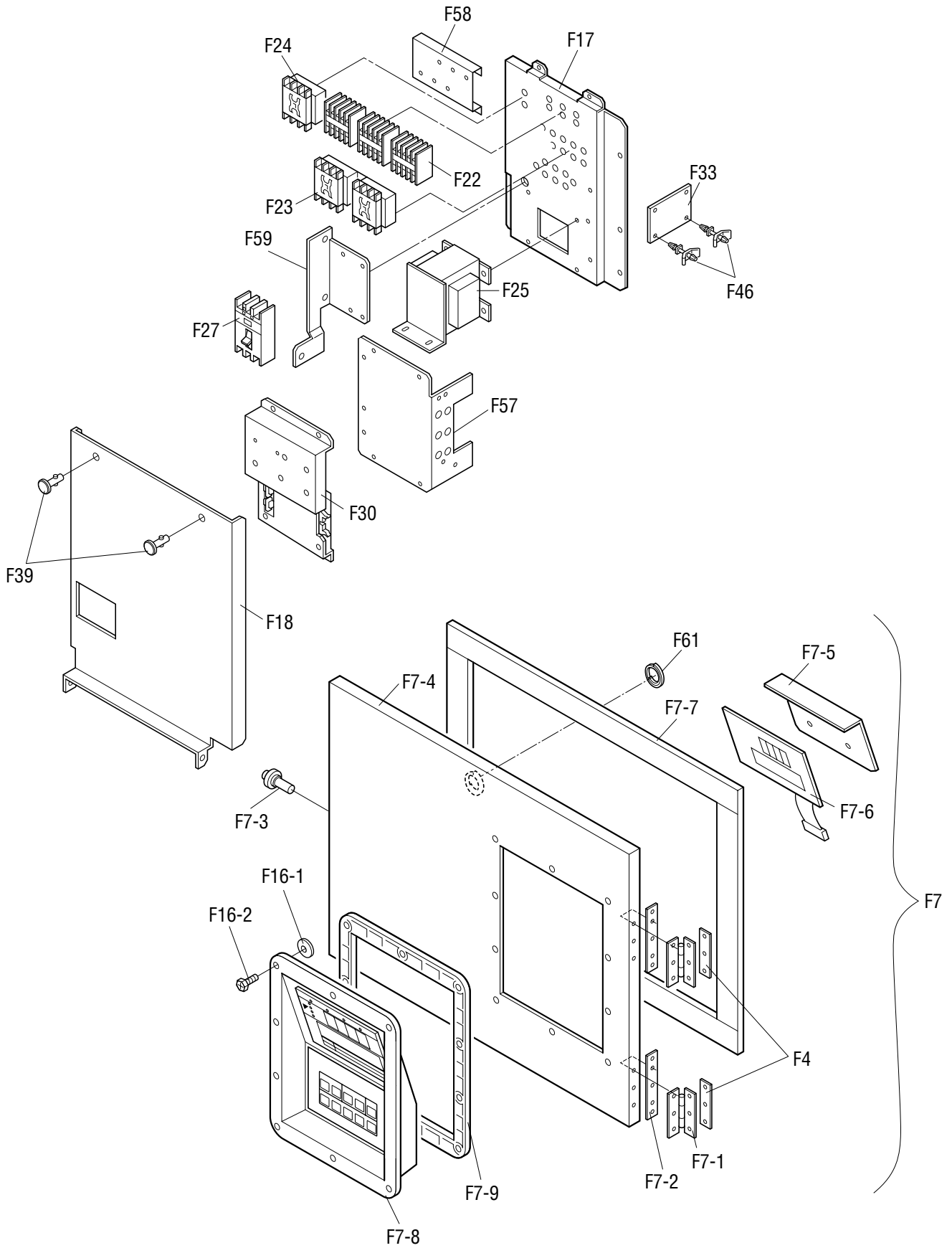
Other parts(Pipe clamp, sealing and insulation material etc.)
その他部品 (配管固定具、シール材、防熱材等)

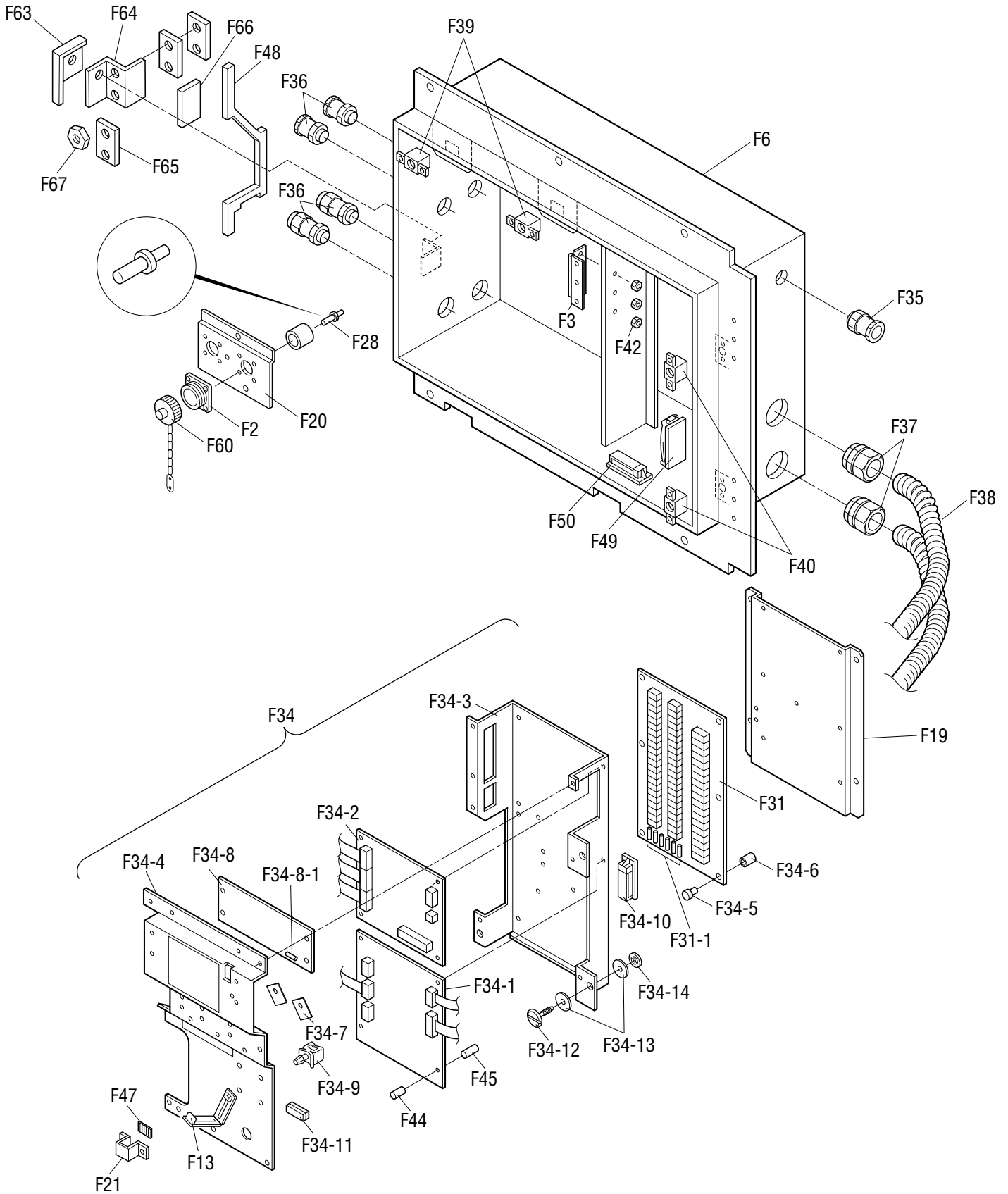


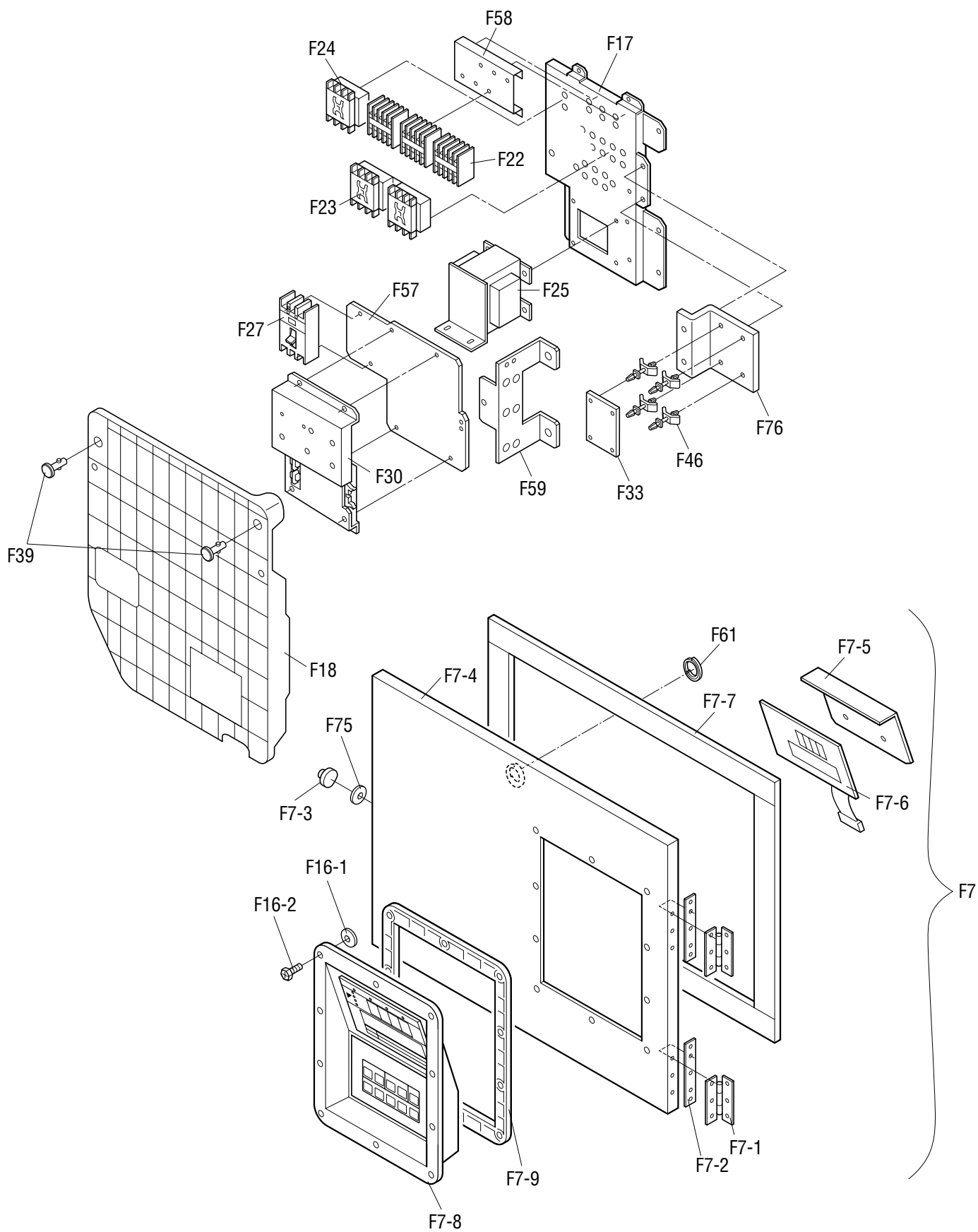
NO. 符号	INDEX	PARTS NO. 部品番号	PARTS NAME 部品名称	DWG. NO. 図面番号	TYPE SPECIFICATION 形式 仕様	QTY/UNIT				REMARKS 備考	
						LXE10E-					
						A12C	A12D	A12E	A12F		
E1a		1266694	Set plate, discharge pipe	吐出配管取付板	4P079462-1		1	1	1	1	Page51
E1b		1485938	Set plate, discharge pipe(2)	吐出配管取付板 (2)	4P117351-1		1				Page51
E2		1266702	Fixture plate, receiver	レシーバー固定具	4P011318-2	t1.5	1	1	1	1	Page51
E4		1683972	Pipe fixing plate	配管取付板組立品 (MSL)	4P158750-1		1	1	1	1	Page51
E5		1726608	Mounting plate	電磁弁取付板	4P172423-1		1	1	1	1	Page51
E7		1266764	Fitting band, dryer	ドライヤー取付バンド	4PA51194-1		1	1	1	1	Page51
E8		1266771	Set plate, dryer	取付板 (ドライヤー)	4P076788-1	t2.0	1	1	1	1	Page51
E10		1222764	Resin clamp	樹脂バンド	NE41015-9	MILK WHITE	1	1	1	1	Page51
E11		0944528	Resin clamp	樹脂バンド	NE41015-7	MILK WHITE	2	2	2	2	Page50,52
E12		0142492	Resin clamp	樹脂バンド	NE41015-10	MILK WHITE	2	2	2	2	Page52
E13		1266788	Resin clamp	樹脂バンド	NE41015-12	MILK WHITE	6	6	6	6	Page50
E15		0782775	Tube clamp	管止め金	NE31016-51		6	6	6	5	Page52
E16		1584215	Nylon coating tube clamp	ナイロンコーティング管止め金	4P143802-51		6	6	6	6	Page51
E17		1584208	Nylon coating tube clamp	ナイロンコーティング管止め金	4P143802-52		1	1	1	1	Page51
E18		0700090	Tube clamp	管止め金	NE31016-54		1				
E19		1584222	Nylon coating tube clamp	ナイロンコーティング管止め金	4P143802-54		1				Page51
E20		0016290	Tube clamp	管止め金	NE31016-56		1	1	1	1	Page51
E22		1584239	Nylon coating tube holder	ナイロンコーティング管止め金	4P143802-71		4	4	4	4	Page51
E23		1266827	Fixing plate, filter	フィルタ固定具	4P071794-1	t1.5	1	1	1	1	Page52
E24		1386985	Tube clamp, double tube heat exch	二重管熱交換管止め金	4P103281-51		1	1	1	1	Page52
E25		1266841	Tube clamp	管止め金 (2)	4P005817-2		1	1	1	1	Page51
E27		1266858	Tube clamp	管止め金	NE31016-59		2	2	2	1	Page51
E29		1584246	Nylon coating tube clamp	ナイロンコーティング管止め金	4P143802-59		1	1	1	1	Page51
E30		537320	Hose band	ホースバンド	R4716528-3		2	2	2	2	Page40,48
E31		1380970	Hot gas tube clamp	ホットガス管止め金	4PA43040-1		1	1	1	1	Page51
E32		1266889	Cushion rubber, pipe clamp	緩衝ゴム (管用)	4P064896-1	t1.0	1	1	1	1	Page51
E33		1266896	Seal packing	シールパッキン	4P011314-1		1	1	1	1	Page51
E34		1270446	Dryer cushion rubber	ドライヤー緩衝ゴム	4PA53083-2		1	1	1	1	Page51
E35		1584253	Cushion rubber	緩衝ゴム	NE41013-3-300		1	1	1	1	Page51
E36		1386947	Sealing material, evaporator frame	蒸発器受枠 (1) シール材	4P090149-1		1	1	1	1	Page53
E37		1266935	Packing(for evaporator)	パッキン (蒸発器)	4P063465-1		2	2	2	2	Page53
E38		1266942	Packing(for evaporator)	パッキン (蒸発器)	4P063465-2		1	1	1	1	Page53
E39		1605422	Side stay packing	サイドステーパッキン	4P095033-2		2	2	2	2	Page53
E40		1177369	Cushion rubber	仕切用ゴム	4P026657-1	t2.0	2	2	2	2	Page54
E41		1386954	Packing, fan guide	ファンガイドパッキン	3P090183-1		1	1	1	1	Page53
E42		1266973	Sealing material(patch plate2)	シール材 (当板2)	4P068964-1	t5.0	1	1	1	1	Page53
E43		1381043	Sealing materialL(patch plate3)	シール材 (当板3)	4P095038-1		1	1	1	1	Page53
E44		1266997	Sealing material(patch plate1)	シール材 (当板1)	4P068968-1	t5.0	2	2	2	2	Page53
E45		1267008	Sealing packing	シールパッキン	3P011293-1		1	1	1	1	Page53
E46		1267015	Packing(side stay)	パッキン (サイドステー)	4P074127-1	BLACK	2	2	2	2	Page53

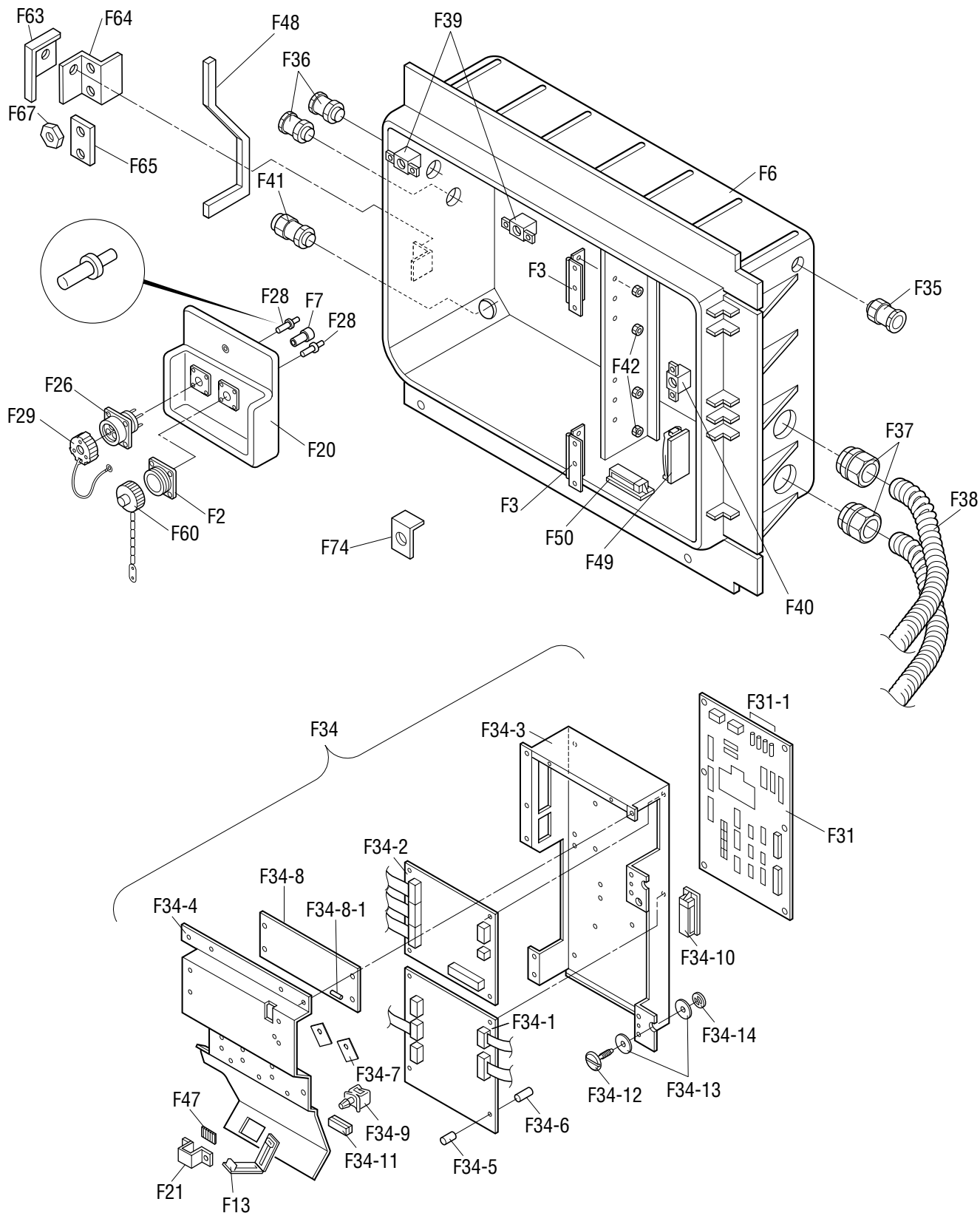
Other parts(Pipe clamp, sealing and insulation material etc.)
 その他部品 (配管固定具、シール材、防熱材等)

NO. 符号	INDEX	PARTS NO. 部品番号	PARTS NAME 部品名称	DWG. NO. 図面番号	TYPE SPECIFICATION 形式 仕様	QTY/UNIT				REMARKS 備考
						LXE10E-				
						A12C	A12D	A12E	A12F	
E52		1584260	Cushion rubber 緩衝ゴム	NE41013-4-230		1	1	1	1	Page51
E54		1267060	Packing for prevention of air bypass バイパス防止用パッキン	4P011733-1		2	2	2	2	Page53
E55		1267077	Packing for prevention of vibration CA前板ビビリ防止パッキン	4P050050-1		2	2	2	2	Page40
E57		1267091	Wiring protection bush 配線保護ブッシュ	4P023920-1	BLACK	2	2	2	2	Page46
E6		1592425	Tube clamp 管止め金	NE31016-58		2	2	2	2	Page51
E59		1381012	Protection rubber 保護ゴム	4PA43128-1		7	7	7	7	Page51
E60		1267123	Thermal insulation tube piping 断熱筒配管緩衝材	4P011309-1		2	2	2	2	Page52
E61		1714016	Insulation tube EV outlet pipe 膨張弁出口配管防露筒	4P170252-2		1	1	1	1	Page51,54
E63		1267154	Insulation tube, evaporater header 蒸発器ヘッダー防露筒	4P073525-1		1	1	1	1	Page54
E64		1267161	Cushion material suction pipe(1) 吸入配管緩衝材 (1)	3P073468-1		1	1	1	1	Page54
E65		1267178	Cushion material suction pipe(2) 吸入配管緩衝材 (2)	3P073468-2		1	1	1	1	Page54
E66		1267224	Cushion material suction pipe(3) 吸入配管緩衝材 (3)	3P073468-3		1	1	1	1	Page54
E67		1584378	Suction pipe 吸入配管断熱材	4P140007-1		1	1	1	1	Page54
E69		1267255	Thermal insulation tube 断熱筒 (吸入弁庫外側)	4P081186-1		1	1	1	1	Page54
E70		1267262	Thermal insulation tube 断熱筒 (圧縮機根元吸入弁)	4P081187-1		1	1	1	1	Page54
E71		1448371	Suction solenoid valve insulator 吸入比例弁防熱材 (1)	2P079441-1		1	1	1	1	Page54
E72		1267286	Thermal insulation tube 断熱筒配管緩衝材	4P011309-3		1	1	1	1	Page54
E73		1267293	Thermal insulation tube 断熱筒配管緩衝材	4P011309-4		2	2	2	2	Page48,50
E76		1267325	Thermal insulation tube(drain outlet) 断熱筒 (ドレン入口管防露筒)	4P067126-1		1	1	1	1	Page54
E77		1485921	Thermal insulation tube 熱交入口管防露筒	4P117089-1		1	1	1	1	Page54
E79		0024640	Rubber bush ゴムブッシュ	R3713279-3		5	5	5	5	Page50,52
E80		1267356	Rubber bush ゴムブッシュ	R3713279-4		1	1	1		Page50
E82		1267370	Rubber bush ゴムブッシュ	R3713279-2		2	2	2	2	Page50
E83		1267387	U-packing U字形パッキン	NA40014-4-500	L=500	1	1	1	1	Page50
E84	B	1605509	Heat shrinkable tube 熱収縮チューブ	4P151322-1		2	2	2	2	Page51
E86	B	1270453	Heat shrinkable tube 熱収縮チューブ	4P075241-1		1	1	1	1	Page51
E87	B	1497070	Thermal insulation tape, no-dry 不乾性形断熱テープ	3SA90101-3-KA		3	3	3	3	Page50
E88		1494925	LSV cover 液電磁弁カバー	4P093386-1		1				Page51
E88		1667297	Protection plate 保護板	4P164903-1			1	1	1	Page51
E89		1656165	Mounting plate 液電磁弁・サプライセンサ固定板(カバー有)	4P165877-1		1	1	1	1	Page51
E91		1448388	Suction flange 吸入フランジシール材	4P083248-1		1	1	1	1	Page50
E92		1278921	Heat protection tie wrap 耐熱用タイラップ	4SA90202-1		5	5	5	5	Page48,51,52
E95		1497102	Corrosion tape 吸入フランジ防食テープ	4P105751-1		2	2	2	2	Page50
C32		388339	Fixture 固定具	4PA11782-1		4	4	4	4	Page46,50
F7-7		1381081	Rubber gasket ゴムガスケット(コントロールボックス蓋用パッキン)	4P085198-1		1	1	1		Page58
F7-7		1497188	Rubber gasket パッキン(コントロールボックス蓋)	4P111693-1					1	









NO. 符号	INDEX	PARTS NO. 部品番号	PARTS NAME	部品名称	DWG. NO. 図面番号	TYPE SPECIFICATION 形式 仕様	QTY/UNIT				REMARKS 備考
							LXE10E-				
							A12C	A12D	A12E	A12F	
F2	B	1549849	Wire harness ass'y(RM)	ワイヤハーネス組立品(モニタリングレセプタクルケーブル)	4P121213-1-KA		1	1			
F2	B	1726468	Wire harness ass'y(RM)	ワイヤハーネス組立品(モニタリングレセプタクルケーブル)	2P171113-11				1	1	
F3	C	1136407	Hinge(recorder/box cover)	平蝶番 (レコーダボックス蓋)	4P021346-1		1	1	1	2	
F4		1136414	Patch plate nut	当板ナット	4P044898-2		2	2	2		
F6		1612615	Control box welding ass'y	コントロールボックス溶接組立品	2P085110-4		1	1	1		
F6		1739293	Control box welding ass'y	コントロールボックス組立品(樹脂)	2P172535-1					1	
F7		1660683	C.BOX cover ass'y	コントロールボックス蓋組立品	2P147871-1		1	1	1		Refer to Page76
F7			C.BOX cover ass'y	電装品箱蓋組立品	2P171706-1					1	Refer to Page76
F7-1	C	1136407	Hinge(recorder/box cover)	平蝶番 (レコーダボックス蓋)	4P021346-1		2	2	2	2	
F7-2		1136414	Patch plate nut	当板ナット	4P044898-2		2	2	2	2	
F7-3		0907093	Roller, quick lock lever	ワンタッチ金具用ローラ	4PA51277-1		1	1	1		
F7-3		1267875	Roller	ワンタッチ金具用ローラ	3P054321-1					1	
F7-4		1587841	C.BOX cover welding ass'y	コントロールボックス蓋溶接組立品	3P085038-5		1	1	1		
F7-4		1739318	Control box cover welding ass'y	コントロールボックス蓋溶接組立品	3P172570-1					1	
F7-5		1267457	Operation display cover	操作表示カバー	3P078251-1	t1.0	1	1	1		
F7-5		1796265	Operation display cover	操作表示カバー (2)	3P078251-2					1	
F7-6	A	1010815	Display board	表示基板	2P010368-2		1	1	1	1	
F7-7		1381081	Rubber gasket	ゴムガスケット(コントロールボックス蓋用パッキン)	4P085198-1		1	1	1		Refer to Page76
F7-7		1497188	Rubber gasket	パッキン(コントロールボックス蓋)	4P111693-1					1	Refer to Page76
F7-8	A	1295553	Control panel(with sheet key)	コントロールパネル(シートキー付)	3P085319-1		1	1	1	1	
F7-9		1128949	Packing	パッキン (樹脂パネル)	3P030317-1		1	1	1	1	
F7-10		0907024	Stopper	ストッパ	4PA51169-1		1	1	1	1	
F7-11		380413	Spacer	スペーサ	R4717985-1		1	1	1	1	
F16-1		0907062	Seal washer	シール座金 (ボンテッド座金)	4PA21941-5		10	10	10	10	
F16-2		1267488	Pan head machine screw	アプセット小ネジ	4P067677-1	M5×16	10	10	10	10	
F17		1387197	Set plate(1)	機器取付板 (1)	2P095432-1		1	1	1		
F17		1739325	Set plate(1)	機器取付板 (1)	2P165714-1					1	
F18		1267503	Set plate(2)	機器取付板 (2)	2P078296-1	t1.2	1	1	1		
F18		1739332	Set plate(2)	機器取付板 (2)	1P173093-1						
F19		1549870	Mounting plate	端子台基板取付板	3P092019-1		1	1	1		
F20		1630909	PC port fixing plate	樹脂製パソコンポート固定具(無・RM)	2P154325-3		1	1	1	1	
F21		1241138	Fixing plate, battery	固定板 (電池)	4P010920-1		1	1	1	1	
F22	A	119893J	Magnetic contactor(for Fans)	電磁接触器 (ファン用)	3P055568-1	24V PAK-6J31C	3	3	3	3	
F23	A	124149J	Magnetic contactor(Phase correction contactor)	相順切換電磁接触器 (PCC)	3P071508-3	24V RSK-35J	1	1	1	1	
F24	A	119891J	Magnetic contactor(Compressor)	電磁接触器 (圧縮機)	3P055566-1	24V PAK35J-S536	1	1	1	1	
F25	C	1562796	Low frequency transformer	低周波変圧器	3P139293-1		1	1	1	1	
F27	A	1381120	Earth leakage circuit breaker	漏電遮断器	3P093326-1		1	1	1	1	
F30	A	0954633	PT/CT board	PT/CTボード	2P010906-3		1	1	1	1	
F31	A	1256116	Terminal strip boaed	端子台基板	2P078284-1		1	1			
F31	A	1679137	Terminal strip boaed	端子台基板	2P174377-1				1	1	

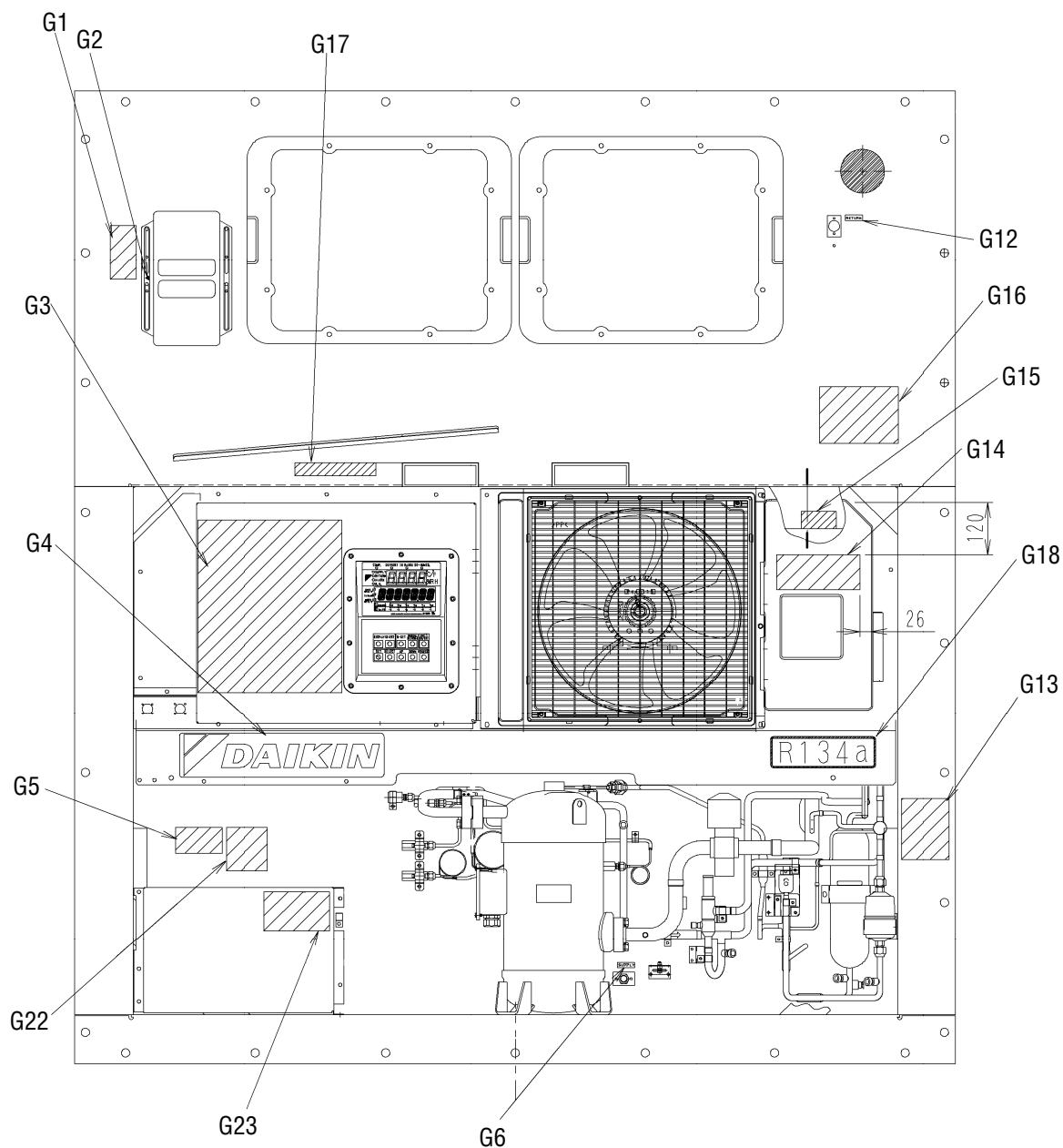
● When ordering the parts whose No. are not shown in the PARTS NO. column, be sure to describe DWG. NO..

● 部品番号欄が空白になっている部品は、図面番号で、指示願います。

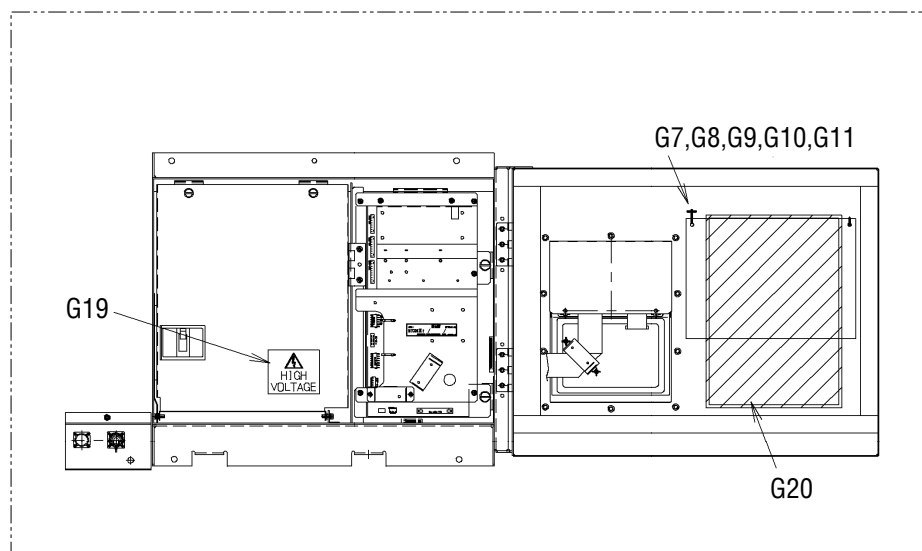
NO. 符号	INDEX	PARTS NO. 部品番号	PARTS NAME 部品名称	DWG. NO. 図面番号	TYPE SPECIFICATION 形式仕様	QTY/UNIT				REMARKS 備考	
						LXE10E-					
						A12C	A12D	A12E	A12F		
F33	A	0329679	Reverse phase protector	逆相保護装置 (RPP)	3SA42153-1	346-440V	1	1	1	1	
F34	A	1645761	Controller assemblies	コントローラ組立品	3P162221-2		1	1	1		
F34	A	1750579	Controller assemblies	コントローラ組立品	3P172236-2					1	
F34-1	A	1642553	PCB ass'y	プリント基板組立品	2P161091-2		1	1	1	1	
F34-2	A	0954594	I/O board ass'y	I/O ボード	2P010367-1		1	1	1	1	
F34-3		1267558	Bottom plate, contoller	コントローラ底板	2P049529-2	t1.2	1	1	1		
F34-3		1739363	Bottom plate(sheet metal)	コントローラ底板	2P168028-1					1	
F34-4	B	1295584	Controller cover	蓋 (コントローラ)	2P085424-1	t1.2	1	1	1		
F34-4	B	1739370	Controller cover	蓋 (コントローラ)	2P168029-1					1	
F34-5		1099940	Support bushing, PCB	プリント基板サポートブッシュ	MI49531-11		14	14	14	14	
F34-6		1099957	Support color, PCB	プリント基板サポートカラー	MI49531-13		14	14	14	14	
F34-7		1267572	Rubber transistor	放熱用ゴムトランジスタ	4P005330-1		2	2	2	2	
F34-8	A	1250783	PC board for suction modulating valve	プリント基板組立品(吸入制御弁用)	3P065441-1	EC0058	1	1	1	1	
F34-8-1	A	044543J	Fuse, controller	制御用ヒューズ	4SA42006-3	250V 5A	1	1	1	1	
F34-9		1267596	Locking wire saddle	ロッキングワイヤサドル	4P015570-2	LWS	3	3	3	3	
F34-10		1267604	Flat cable clamp	フラットケーブルクランプスナップタイプ	4P015573-1		1	1	1	1	
F34-11		1136539	Clamp	クランプ金具	4P015574-2		1	1	1	1	
F34-12		1267611	Speed bolt	スピードボルト (M6)	4P048680-3	M6X20(S)	2	2	2	1	
F34-13		860005	Washer, speed bolt	スピードボルト用座金	R4713334		4	4	4	2	
F34-14		840002	Drop out prevention washer	脱落防止座金	R4718607-6		2	2	2	1	
F34-15		1295591	Wire harness	ワイヤハーネス	3P018820		1	1	1		
F34-16	B	1295609	D-SUB connector	D-SUBコネクタ	4P085409-1		1	1	1		
F34-17		1295616	Screw	六角ロックネジ	4P085410-1		2	2	2		
F35		1267628	Wire(wire ground)	電線 (電線グラウンド)	4P067662-1		1	1	1	1	
F36		1267635	Wire(wire ground)	電線 (電線グラウンド)	4P067663-1		4	4	4	2	
F37		1635346	Flexible tube(resin)	樹脂製フレキシブル管用グラウンド	4P157387-1		2	2	2	2	
F38		1635353	Flexible tube(resin)	樹脂製フレキシブル管	4P157410-1		2	2	2	2	
F39		1267666	Quick fastener	クイックファスナー	4P064642-1		2	2	2	2	
F40		860015	Universal nut	自在ナット	R4713188-1		2	2	2	1	
F41		1743216	Wire ground, flexible tube	樹脂製フレキシブル管用コネクタ	4P010926-7					1	
F42		833302	Nylon nut	ナイロンナット	R4716460-1	M4	3	3	3	4	
F44		1099940	Support bushing, PCB	プリント基板サポートブッシュ	MI49531-11		7	7	8		
F45		1099957	Support color, PCB	プリント基板サポートカラー	MI49531-13		7	7	8		
F46		981616	Locking card spacer	ロッキングカードスペーサー	R3428091-3	KGLS-8S	4	4	4		
F46		380401	Locking card spacer	ロッキングカードスペーサー	R3428091-2					4	
F47		1267697	Cushion rubber	緩衝ゴム電池用	4P015624-1		1	1	1	1	
F48		1326820	Packing(C.BOX front plate)	パッキン(コントロールボックス前板)	4P085513-1		1	1	1		
F48		1739387	Packing for control box front plate	パッキン(コントロールボックス前板(左))	4P172580-1					1	
F49		1136539	Clamp	クランプ金具	4P015574-2		2	2	2	2	
F50		1267712	Clamp	クランプ金具	3P049495-1		1	1	1	1	

NO. 符号	INDEX	PARTS NO. 部品番号	PARTS NAME	部品名称	DWG. NO. 図面番号	TYPE SPECIFICATION 形式 仕様	QTY/UNIT				REMARKS 備考
							LXE10E-				
							A12C	A12D	A12E	A12F	
F57		1549894	Set plate(PT/CT board)	機器取付板(P T / C T ボード)	3P126713-1		1	1	1	1	
F57		1739402	Breaker plate(2)	ブレーカ取付板 (2)	3P168051-1					1	
F58		1267781	Mounting plate, elect components	電装品取付板	4P064227-1	t=1.2	1	1	1		
F58		1739495	Mounting plate, elect components	電装品取付板 (2)	4P064227-2					1	
F59		1549902	Set plate(breaker)	機器取付板 (ブレーカ)	3P126712-1		1	1	1		
F59		1739394	Breaker plate 1	ブレーカ取付板 (1)	3P168052-1					1	
F60	C	1549919	Cap, monitoring receptacle	モニタリングレセプタクルキャップ	4P121213-1-KI		1	1	1	1	
F61		1295623	Fixtture(instruction ring)	固定具(インストラクションリング)	4P064698-1	Wire diameter	1	1	1	1	
F63		1295630	Lever	ワンタッチ金具	4P085171-1		1	1	1	1	
F64		1295647	Fixing plate for lever	ワンタッチ金具取付板	4P085164-1		1	1	1	1	
F65		0907125	Sealed sheet	絶縁シート (ワンタッチ金具)	4PA52417-1	t0.075±0.01	2	2	2		
F66		0907132	Sealed sheet	絶縁シート (ワンタッチ金具)	4PA52417-2	t0.075±0.01	1	1	1		
F67		833301	Nylon nut	ナイロンナット	R4716460-3	M6	4	4	4	3	
F72		1135428	Fuse holder	ヒューズホルダー	3P047827-1		1	1			
F73	A	003065J	Fuse, control	制御用ヒューズ	4SA42006-4	250V 10A	1	1			

NO. 符号	INDEX	PARTS NO. 部品番号	PARTS NAME	部品名称	DWG. NO. 図面番号	TYPE SPECIFICATION 形式 仕様	QTY/UNIT				REMARKS 備考
							LXE10E-				
							A12C	A12D	A12E	A12F	

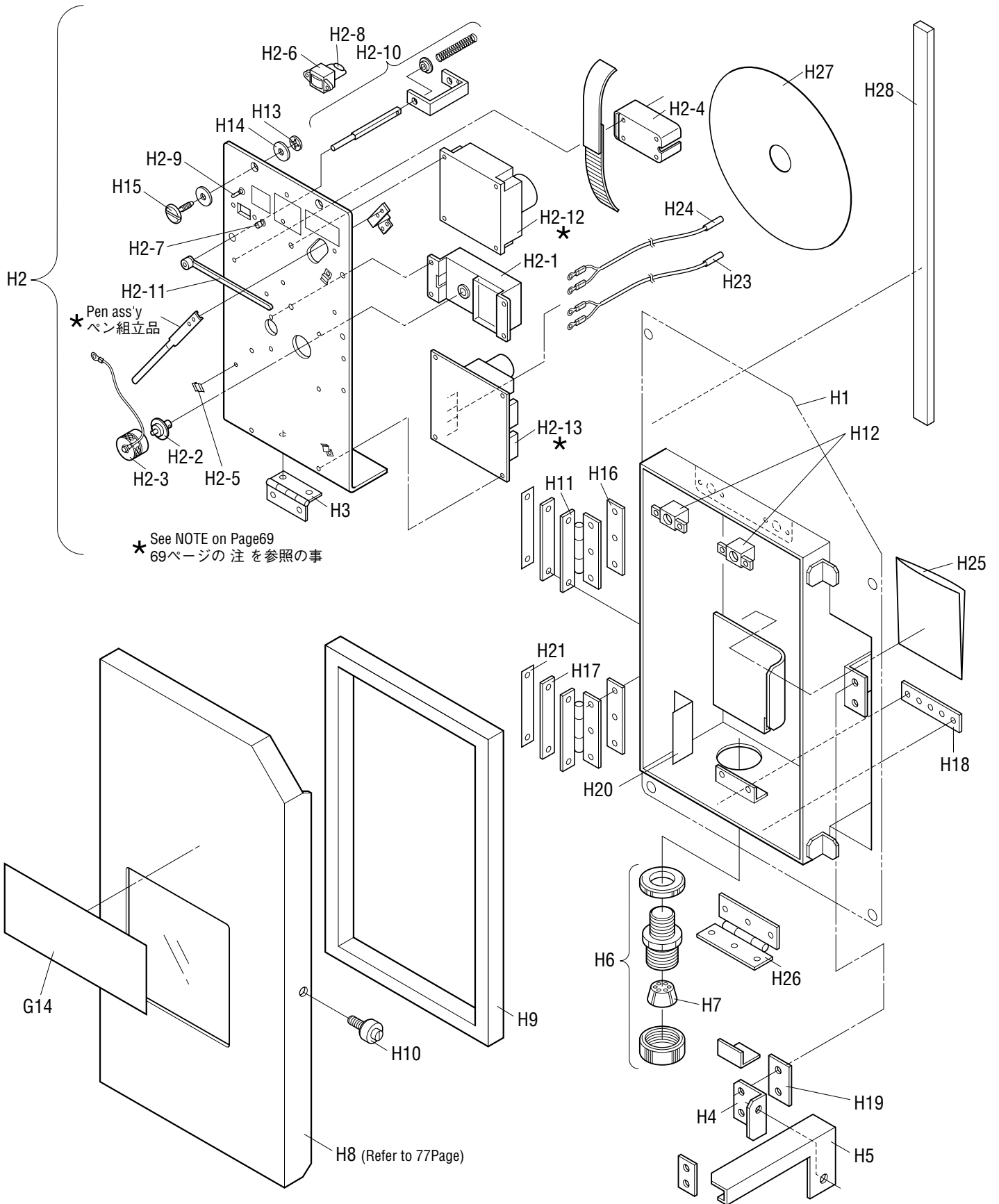


コントロールボックス内部(Inside of Control Box)



NO. 符号	INDEX	PARTS NO. 部品番号	PARTS NAME	部品名称	DWG. NO. 図面番号	TYPE SPECIFICATION 形式 仕様	QTY/UNIT				REMARKS 備考
							LXE10E-				
							A12C	A12D	A12E	A12F	
G1		1584291	Ventilator name plate	換気口銘板 (統合仕様)	4P146327-1		1	1	1	1	
G2		1267952	Name plate, ventilator arrow	ベンチレータ矢印銘板	4P018502-1		1	1	1	1	
G3		1295654	Name plate, operation	操作銘板 (C&I, 和・英)	1P086013-1	t0.05	1	1	1	1	Refer to Page76
G4		1306530	Name plate, Brand name	意匠銘板	4P085985-1		1	1	1		Refer to Page77
G4		1726552	Name plate, Brand name and refrigerant label	意匠銘板および冷媒銘板	3P174603-1					1	Refer to Page77
G5		1381339	Name plate, unit performance	機械銘板	3P066702-1		1				
G5		1713936	Name plate, unit performance	機械銘板	3P171029-6			1	1	1	
G6		1268001	Name plate, supply	指示銘板(サーモチェックポイント)	4PA55459-2	English	1	1	1	1	
G7		1660638	Instruction card(Japanese)	インストラクションカード(和文)	3P085667-1		1	1	1	1	
G8		1660645	Instruction card(English)	インストラクションカード(英文)	3P085669-1		1	1	1	1	
G9		1660652	Instruction card(Chinese)	インストラクションカード(中文)	3P085671-1		1	1	1	1	
G10		1660669	Instruction card(Spanish)	インストラクションカード(スペイン語)	3P085673-1		1	1	1	1	
G11		1660708	Instruction card(emergency & service)	インストカード(エマージェンシー&サービス) (英・和)	3P103071-1		1	1			
G11		1713943	Instruction card(emergency & service)	インストカード(エマージェンシー&サービス) (英・和)	3P175802-1				1	1	
G12		1268133	Name plate, return	指示銘板(サーモチェックポイント)	4PA55459-1	English	1	1	1	1	
G13		1565074	Caution label	冷媒充填注意銘板 (英・和)	3P103070-1		1	1	1	1	
G14		1660715	Recorder box Name plate	レコーダボックス銘板(英・和)	3P116519-1		1	1	1	1	Refer to Page77
G15		1605516	Operation name plate, solenoid valve	電磁弁配置銘板 (標準)	4P151416-1		1	1	1		
G15		1728293	Operation name plate, solenoid valve	電磁弁配置銘板 (標準)	4P182832-1					1	
G16		1295717	Name plate(PTI completion)	PTI完了銘板	3P035527-1	t0.05	1	1	1	1	
G17		1587858	Indication cable	指示銘板 (モデム)	3P103074-1		1	1	1	1	
G18		1178843	Name plate, refrigerant	冷媒銘板	3P009750-1		1	1	1		Refer to Page77
G19		1181267	Caution label, high voltage	高電圧注意銘板	4P010095-1	English	1	1	1	1	
G20		1295700	Electric wiring diagram label	電気配線図銘板	2D033749-1		1	1			
G20		1713950	Electric wiring diagram label	電気配線図銘板	2D052104-1				1		
G20			Electric wiring diagram label	電気配線図銘板	2D053295-1					1	
G22		1381409	Caution label, refrigerant recovery	フロン回収・破壊法対応銘板(HFC用)	3P086874-1		1				
G23		1316676	Operation, cable clamp	ケーブルクランプ操作銘板	3P062812-1		1	1	1	1	

● When ordering the parts whose No. are not shown in the PARTS NO. column, be sure to describe DWG. NO.. ● 部品番号欄が空白になっている部品は、図面番号で、指示願います。



NO. 符号	INDEX	PARTS NO. 部品番号	PARTS NAME	部品名称	DWG. NO. 図面番号	TYPE SPECIFICATION 形式 仕様	QTY/UNIT				REMARKS 備考
							LXE10E-				
							A12C	A12D	A12E	A12F	
H1		1587726	Recorder box ass'y for welding	レコーダ BOX溶接組立図	2P048643-8		1	1	1	1	
H2	A	1267820	Temperature recorder	温度記録計	2P021722-10		1	1	1	1	
H2-1	B	0143495	Quartz motor	クォーツ時計	3PA20194-2		1	1	1	1	
H2-2	B		Shaft, chart	チャート軸受け		4-E4191P1 BS	1	1	1	1	
H2-3		0037855	Chart stopper ass'y	チャート押さえ組立	4PA20211-1	A5052BP	1	1	1	1	
H2-4			Battery holder	電池ホルダー		4-E4374C1 ABS樹脂6Z680	1	1	1	1	
H2-5			Holder	ホルダー		RH14	3	3	3	3	
H2-6	B		Indicator	メーター		4-E6827P1 MODEL250	(1)	(1)	(1)	(1)	
H2-7	B		Push button switch	押しボタンスイッチ		4-E4777C1	(1)	(1)	(1)	(1)	
H2-8	B		Resistor	抵抗		TS60E-B3.9K	(1)	(1)	(1)	(1)	
H2-9	B		Toggle switch	トグルスイッチ		M2018G	(1)	(1)	(1)	(1)	
H2-10			Stopper	ストッパー		4-E4752C1	1	1	1	1	
H2-11	C		Lever	レバー		4-E4161C1 SUS27	1	1	1	1	
H2-12	B		Servo unit	サーボユニット		3-C5575C3	1	1	1	1	
H2-13	B		PC board ass'y	プリント基板組立品		3-C7505C1	1	1	1	1	
<p>Note: The recording-pen assembly, H2-12 servo-unit and H2-13 PCB assembly have been adjusted in the factory as one set. Accordingly, individual assembly can not be adjusted separately. When any component in those assembly should faulty, replace the entire H2 temperature recorder as a set.</p> <p>注：ペン組立品、H2-12(サーボユニット)及びH2-13(プリント基板組立品)は、一体で工場にて調整されています。従って、現地での単体での調整は不可能です。この部品が不具合の場合は、H2の温度記録計一式で交換してください。</p>											
H3		1136104	Hinge	平蝶番	4P043349-1		1	1	1	1	
H4		1267837	Mounting plate, quick lock lever	ワンタッチ金具取付板	4P067761-1		1	1	1	1	
H5		1136111	Quick lock lever	ワンタッチ金具	4P043377-1		1	1	1	1	
H6		0773771	Cable gland	電線グラウンド	3PA37599-10	SCL-22B	1	1	1	1	
H7		1267844	Grand rubber bush	グラウンドゴムブッシュ	4P032156-1		1	1	1	1	
H8		1587656	Cover(recorder)	バッキン (蓋)	1P054302-4		1	1	1	1	Refer to Page77
H9		1267868	Packing(recorder cover)	バッキン (蓋)	4P063866-1		1	1	1	1	Refer to Page77
H10		1267875	Roller	ワンタッチ金具用ローラ	3P054321-1		1	1	1	1	
H11		1136096	Hinge, cover	蓋締付蝶番	4P043069-1		2	2	2	2	
H12		860015	Universal nut	自在ナット	R4713188-1		2	2	2	2	
H13		840002	Drop out prevention washer	脱落防止座金	R4718607-6		2	2	2	2	
H14		860005	Washer, speed bolt	スピードボルト用座金	R4713334		4	4	4	4	
H15		1267611	Speed bolt	スピードボルト (M6)	4P048680-3	M6X20(S)	2	2	2	2	
H16		874014	Patch plate nut	当板ナット	R3715992-33		2	2	2	2	
H17		1267899	Patch plate nut	当板ナット	4P066242-1		2	2	2	2	
H18		1136414	Patch plate nut	当板ナット	4P044898-2		1	1	1	1	
H19		0907125	Sealed sheet	絶縁シート (ワンタッチ金具)	4PA52417-1	t0.075±0.01	1	1	1	1	
H20		1267907	Sealing material	シール材	4P049613-1		1	1	1	1	
H21		1267914	Insulation sheet	絶縁シート	4P066250-1	t0.075±0.01	2	2	2	2	
H23	A	0798307	Sensor(RSS)	センサー (RSS)	3PA61769-4	ST9503-4(Green, Green)	1	1	1	1	Refer to Page80
H24	A	079828J	Sensor(RRS)	センサー (RRS)	3PA61769-2	ST9503-2(Blue, Blue)	1	1	1	1	Refer to Page80

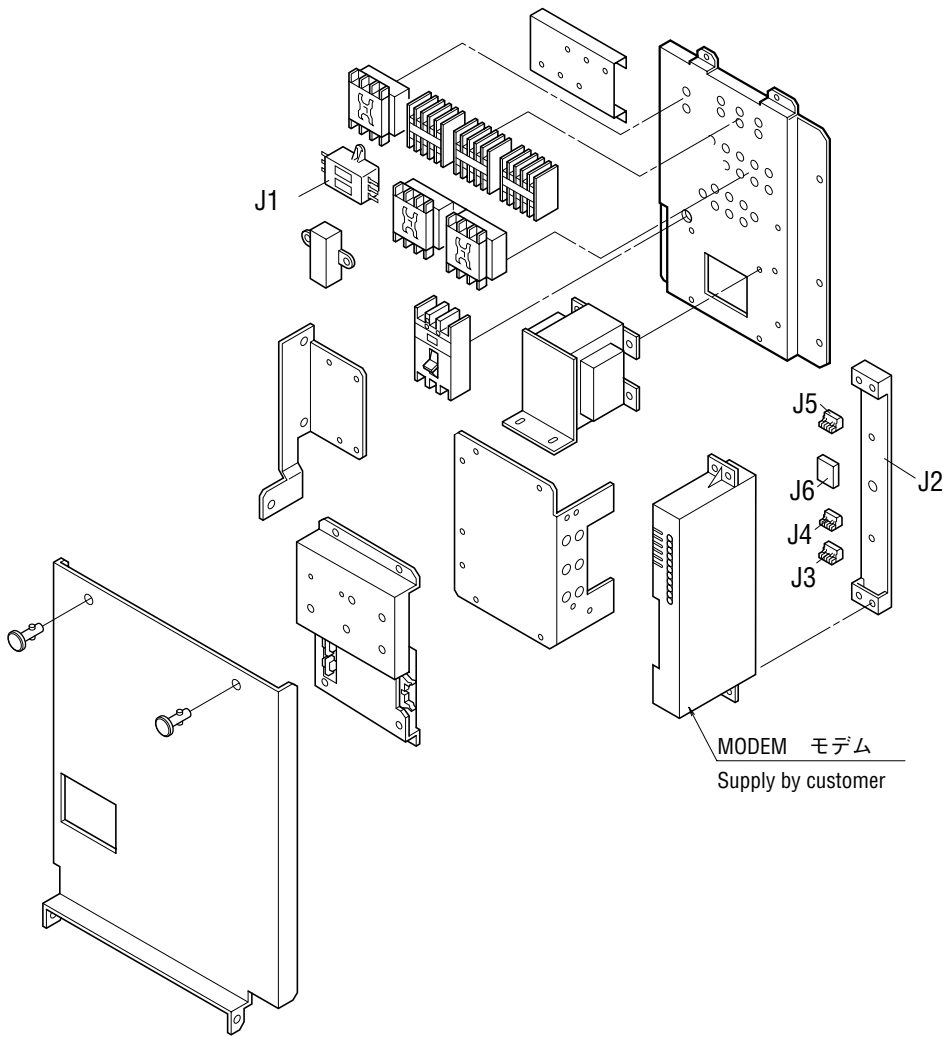
● When ordering the parts whose No. are not shown in the PARTS NO. column, be sure to describe DWG. NO..

● 部品番号欄が空白になっている部品は、図面番号で、指示願います。

Parts related with option 1 – Recorder box
オプション関連部品1 – レコーダボックス

NO. 符号	INDEX	PARTS NO. 部品番号	PARTS NAME	部品名称	DWG. NO. 図面番号	TYPE SPECIFICATION 形式 仕様	QTY/UNIT				REMARKS 備考
							LXE10E-				
							A12C	A12D	A12E	A12F	
H25		1267921	Protection sheet, recording chart	保護シート	4P015666-1		1	1	1	1	
H26		1136407	Hinge(recorder/box cover)	平蝶番 (レコーダボックス蓋)	4P021346-1		1	1	1	1	
H27	C	0599276	Recording chart	記録紙	R3717586-1	MOL専用 For MOL	5	5	5	5	
H28		1448612	Sealing material	レコーダ取付板シール材	4P090211-1	t5.0 Gray	1	1	1	1	
G14		1660715	Recorder box Name plate	レコーダボックス銘板(英・和)	3P116519-1		1	1	1	1	

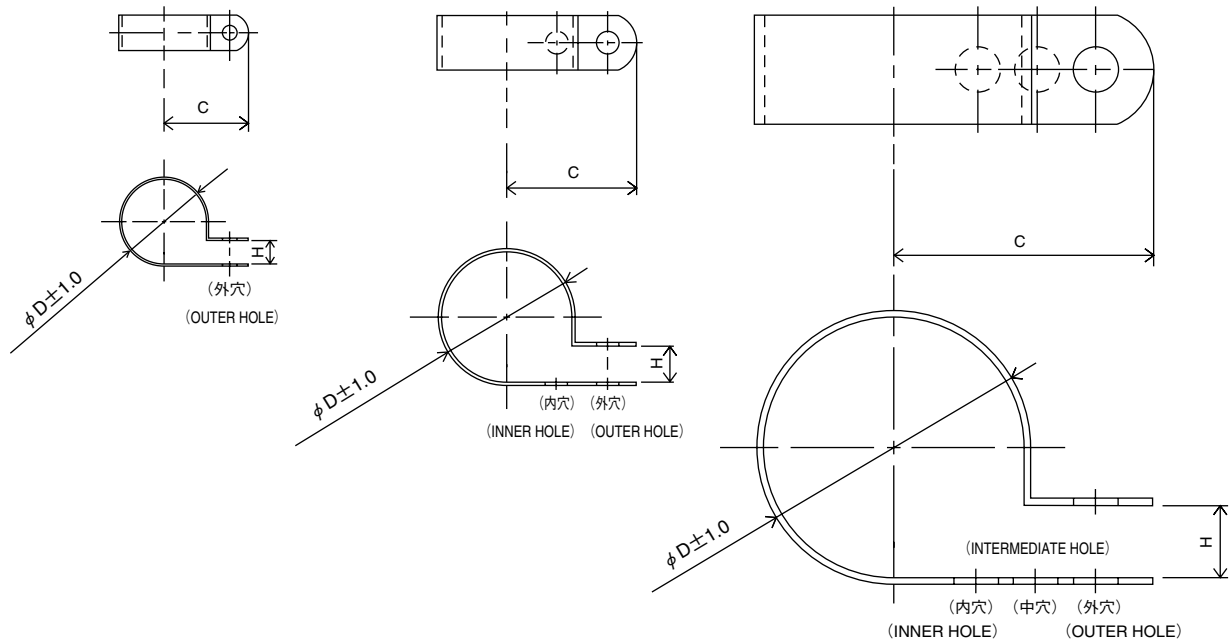
Parts related with option 2 – MODEM
オプション関連部品 2 – モデム



NO. 符号	INDEX	PARTS NO. 部品番号	PARTS NAME 部品名称		DWG. NO. 図面番号	TYPE SPECIFICATION 形式 仕様	QTY/UNIT				REMARKS 備考
							LXE10E-				
							A12C	A12D	A12E	A12F	
J1	B	0954640	Noise filter	ノイズフィルタ	2PA51273-1	ZAC2206-11	1	1	1	1	
J2		1448410	Mounting plate(modem)	取付板 (モデム)	4P081133-1		1	1	1		
J3		1267736	Connector for MODEM	モデム用コネクタ	3P012038-3	BLA3	1	1	1	1	
J4		1267743	Connector for MODEM	モデム用コネクタ	3P010371-7		1	1	1	1	
J5		1267750	Connector for MODEM	モデム用コネクタ	3P012038-7	BLA7	1	1	1	1	
J6		0468839	Noise filter(for modem)	ノイズフィルター (モデム用)	3EA76001-1		1	1	1	1	

1. Resin clamp

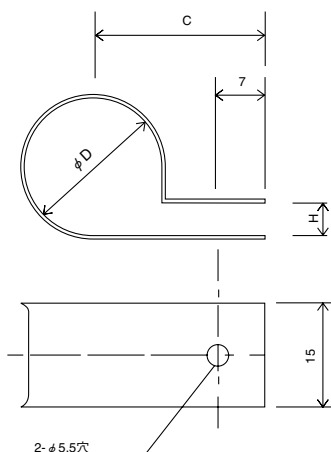
1. 樹脂バンド



NO. 符号	PARTS NO. 部品番号	PARTS NAME	部品名称	DWG NO. 図面番号	SIZE サイズ			QTY
					D	C	H	
E10	1222764	Resin clamp	樹脂バンド	NE41015-9	26.9	27.8	7.9	1
E11	0944528	Resin clamp	樹脂バンド	NE41015-7	19.8	24.6	7.9	2
E12	0142492	Resin clamp	樹脂バンド	NE41015-10	29.2	29.4	7.9	2
E13	1266788	Resin clamp	樹脂バンド	NE41015-12	39.4	34.2	9.5	6

2. Tube clamp

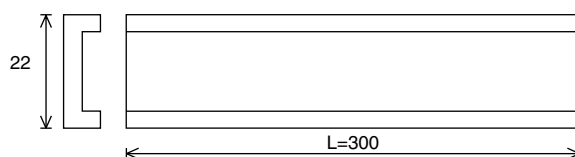
2. 管止金



NO. 符号	PARTS NO. 部品番号	PARTS NAME	部品名称	DWG NO. 図面番号	SIZE サイズ			QTY			
					D	C	H	LXE10E-			
								A12C	A12D	A12E	A12F
E15	0782775	Tube clamp	管止め金	NE31016-51	10	20	3	6	6	6	6
E16	1584215	Nylon coating tube clamp	ナイロンコーティング管止め金	4P143802-51	10	20	3	6	6	6	6
E17	1584208	Nylon coating tube clamp	ナイロンコーティング管止め金	4P143802-52	12	21	3	1	1	1	1
E18	0700090	Tube clamp	管止め金	NE31016-54	16	23	4	1			
E19	1584222	Nylon coating tube clamp	ナイロンコーティング管止め金	4P143802-54	16	23	4	1			
E20	0016290	Tube clamp	管止め金	NE31016-56	20	25	5	1	1	1	1
E22	1584239	Nylon coating tube holder	ナイロンコーティング管止め金	4P143802-71	6.4	20	1	4	4	4	4
E27	1266858	Tube clamp	管止め金	NE31016-59	26	28	5	2	2	2	1
E29	1584246	Nylon coating tube clamp	ナイロンコーティング管止め金	4P143802-59	26	28	5	1	1	1	1

3. Cushion rubber for pipe clamp

3. 管止金用緩衝ゴム



NO. 符号	PARTS NO. 部品番号	PARTS NAME	部品名称	DWG NO. 図面番号	REMARKS 備考
E35	1584253	Cushion rubber	管止金用緩衝ゴム	NE41013-3-300	Cut to suit pipe size. 配管サイズに合わせて切って使用のこと

1. Parts recommended to be ordered together with packing, gasket, sealing material and name plate
1. 発注の際にパッキングやシール材、銘板等の同時発注を推奨する部品

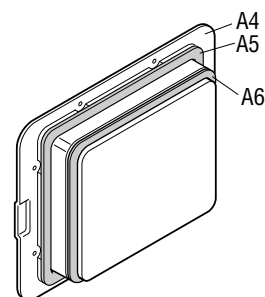
For ordering following spare parts, we recommend that you order the following packing, gasket, sealing material and name plate together at the same time.

上記のサービス扉やボックスカバーを発注の際には、下記のパッキングを同時に発注することをおすすめします。

(1) Service door

(1) サービス扉

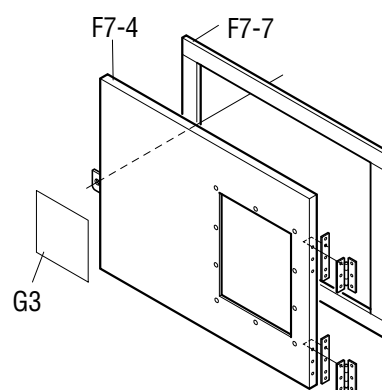
NO. 符号	PARTS NO. 部品番号	PARTS NAME 部品名称	DWG NO. 図面番号	REMARKS 備考
A4	1612576	Access panel (FRP) サービス扉組立品	1P006678-5	(Without cushion and sealing material) (クッション材、シール材なし)
A5	1266207	Cushion material (access panel) クッション材 (サービス扉)	3P033608-1	
A6	1196113	Sealing material (access panel) シール材 (サービス扉)	3P001640-2	



(2) Control box cover

(2) コントロールボックスカバー

NO. 符号	PARTS NO. 部品番号	PARTS NAME 部品名称	DWG NO. 図面番号	QTY			
				LXE10E-			
				A12C	A12D	A12E	A12F
F7	1660683	Control box cover ass'y コントロールボックス蓋組立品	2P147871-1	1	1	1	
F7		Control box cover ass'y コントロールボックス蓋組立品	2P171706-1				1
F7-7	1381081	Rubber gasket ゴムガスケット (C. BOX蓋用パッキン)	4P085198-1	1	1	1	
F7-7	1497188	Rubber gasket パッキン (コントロールボックス蓋)	4P111693-1				1
G3	1295654	LABEL 操作銘板 (C&G-SET, 和・英)	1P086013-1	1	1	1	1



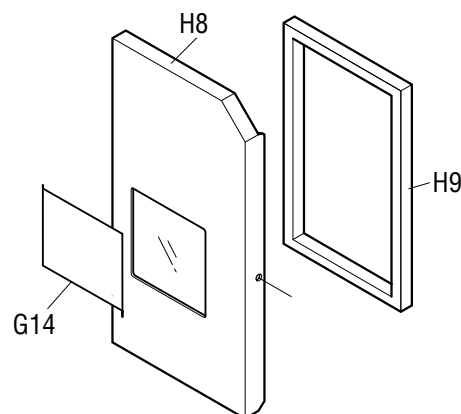
※Wiring diagram name plate is different by model.

※電気配線図銘板は機種により異なります。

(3) Recorder box cover (Option)

(3) レコーダボックスカバー (オプション)

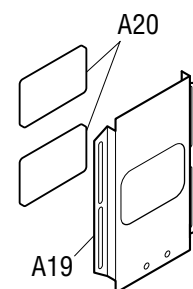
NO. 符号	PARTS NO. 部品番号	PARTS NAME	部品名称	DWG NO. 図面番号
H8	1587656	Cover(recorder)	蓋 (レコーダ)	1P054302-4
H9	1267868	Packing (recorder cover)	パッキン (蓋)	4P063866-1
G14	1660715	Recorder box nameplate	レコーダ ボックス銘板	3P116519-1



(4) Ventilation cover

(4) 換気口蓋

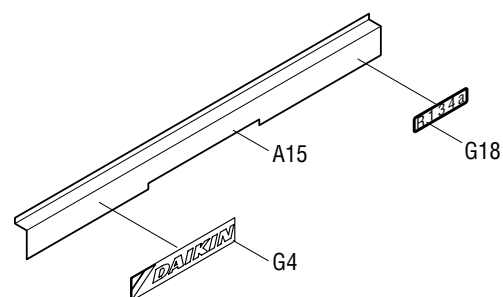
NO. 符号	PARTS NO. 部品番号	PARTS NAME	部品名称	DWG NO. 図面番号
A19	1266120	Ventilation cover	換気口蓋	3P067053-1
A20	1266221	Sealing material (access panel)	シール材 (換気口)	4P016185-1



(5) Front plate (CA)

(5) 前板 (CA)

NO. 符号	PARTS NO. 部品番号	PARTS NAME	部品名称	DWG NO. 図面番号	QTY			
					LXE10E-			
					A12C	A12D	A12E	A12F
A15	1270338	Front plate(CA)	前板 (CA)	2P061345-1	1			
A15	1661299	Front plate(CA)	前板 (CA)	2P165976-1		1	1	
A15	1739286	Front plate(CA)	前板 (CA)	2P173133-1				1
G4	1306530	Brand name label	意匠銘板	4P085985-1	1	1	1	
G4	1726552	Name plate, Brand name and refrigerant label	意匠銘板および 冷媒銘板	3P174603-1				1
G18	1178843	Name plate, refrigerant	冷媒銘板	3P009750-1	1	1	1	



2. Order for motorized valve, solenoid valve and pressure regulating valve

2. 電動弁・電磁弁・圧力調整弁の発注

Refer to the following table for the name, main body, solenoid coil and ass'y of solenoid valves etc. applied to this model.

この機種に使用されている電磁弁等の名称と本体・コイル・組立品は下記のとおりです。

	Body/Coil 本体/コイル	NO. 符号	PARTS NO. 部品番号	PARTS NAME 部品名称	DWG NO. 図面番号	-LEX10E-				Common Parts 共通部品			
						A12C	A12D	A12E	A12F	NEV-202DXF	VPV-803DQ50	NEV-MOAB507C	
1.EV	本体 Body	B7-3	125649J	Electronic expansion valve body	電子膨張弁本体	2SA50010-2-KU	○	○	○	○			
	コイル Coil	B20	138143J	Electronic expansion valve coil	電子膨張弁コイル	2P010454-2	○	○	○	○			
2.HSV ☆1	本体 Body	B7-4	1411533	Hot gas solenoid valve body	ホットガス電磁弁本体	3SA52069-1	○	○	○	○		○	
	コイル Coil	B7-5-1	0955287	Hot gas solenoid valve coil	ホットガス電磁弁コイル	3P010453-1	○		○注2				○
	コイル Coil	B7-5-1	1266290	Hot gas solenoid valve coil	ホットガス電磁弁コイル	3P010453-2		○		○			○
3.DSV ☆1	本体 Body	B7-4	1411533	Defrost bypass solenoid valve body	デフロストバイパス電磁弁本体	3SA52069-1	○	○	○	○		○	
	コイル Coil	B7-5-1	0955287	Defrost bypass solenoid valve coil	デフロストバイパス電磁弁コイル	3P010453-1	○		○注2				○
	コイル Coil	B7-5-1	1266290	Defrost bypass solenoid valve coil	デフロストバイパス電磁弁コイル	3P010453-2		○		○			○
4.BSV ☆1	本体 Body	B7-4	1411533	Gas bypass solenoid valve body	ガスバイパス電磁弁本体	3SA52069-1	○	○	○	○		○	
	コイル Coil	B7-5-1	0955287	Gas bypass solenoid valve coil	ガスバイパス電磁弁コイル	3P010453-1	○		○注2				○
	コイル Coil	B7-5-1	1266290	Gas bypass solenoid valve coil	ガスバイパス電磁弁コイル	3P010453-2		○		○			○
5.ESV ☆2	本体 Body	B7-6	0088738	Economizer solenoid valve body	エコマイザー電磁弁本体	R3305099-1-KI	○	○	○	○	○		
	コイル Coil	B7-5-1	0955287	Economizer solenoid valve coil	エコマイザー電磁弁コイル	3P010453-1	○		○注2				○
	コイル Coil	B7-5-1	1266290	Economizer solenoid valve coil	エコマイザー電磁弁コイル	3P010453-2		○		○			○
6.ISV ☆2	本体 Body	B7-6	0088738	Injection solenoid valve body	インジェクション電磁弁本体	R3305099-1-KI	○	○	○	○	○		
	コイル Coil	B7-5-1	0955287	Injection solenoid valve coil	インジェクション電磁弁コイル	3P010453-1	○		○注2				○
	コイル Coil	B7-5-1	1266290	Injection solenoid valve coil	インジェクション電磁弁コイル	3P010453-2		○		○			○
7.LSV	本体 Body	B4-5	1411533	Liquid solenoid valve body	液電磁弁本体	3SA52069-1	○	○	○	○		○	
	コイル Coil	B4-6-1	0955287	Liquid solenoid valve coil	液電磁弁コイル	3P010453-1	○	○	○注2	○			○
	組立品 Ass'y	B4-6	1726398	Solenoid valve coil ass'y(LSV)	電磁弁コイル組立品 (LSV)	3P171342-4			○	○			
8.SMV	組立品 Ass'y	B8-1	1254538	Suction modulating Valve	吸入比例弁組立品	2P078385-1	○	○	○	○			Note 1 注 1
9.DPR	組立品 Ass'y	B3-4	1241361	Discharge pressure regulating valve	吐出圧力調整弁	3P074558-1	○	○	○	○			

Note 1 : Refer Page 42, 43 and 44 for detail parts of suction modulating valve.

注 1 : SMV (吸入比例弁) の詳細部品はP.42、43、44を参照ください。

Note 2 : Refer to the following replacement instruction.

注 2 : 次頁の交換要領を参照ください。

A12E only

A12Eのみ

- ☆1 : When you replace BSV, DSV, and HSV at the same time, we recommend you order the following wire harness assy.
- ☆1 : HSV,DSV,BSVコイルを同時に交換する際は下記ワイヤーハーネス (BSV,DSV,HSV) を発注することをおすすめします。
B7-5a Solenoid valve coil ass'y 電磁弁コイル No.1726374 (3P171342-2)
- ☆2 : When you replace ESV, and ISV at the same time, we recommend you order the following wire harness assy.
- ☆2 : ESV,ISVコイルを同時に交換する際は下記ワイヤーハーネス (ESV,ISV) を発注することをおすすめします。
B7-5b Solenoid valve coil ass'y 電磁弁コイル No.1726381 (3P171342-3)

3. Order for pressure trasducer

3. 圧力センサーの発注

Refer to the following table for the pressure transducer applied to this model.

For ordering pressure transducer, we recommend that you order the following best shrinkable tube together at the same time.

この機種に使用している圧力センサーは下記の通りです。

圧力センサー発注の際は、下記の熱収縮チューブを同時に発注することをおすすめします。

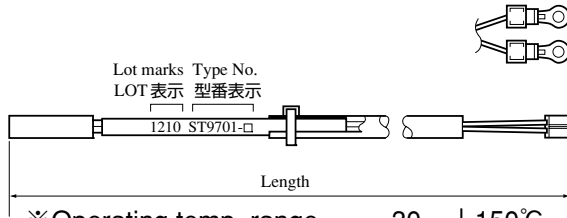
呼称名	NO. 符号	PARTS NO. 部品番号	PARTS NAME	部品名称	DWG NO. 図面番号	TYPE 形式	REMARKS 備考	LEX10E		
								A12C	A12D	A12E/A12F
HPT	B16	1587959	High pressure transducer (HPT)	高圧圧力センサ	3P141602-1			○		
	B16	1726444	High pressure transducer (HPT)	高圧圧力センサ	2P171113-7				○	○
LPT	B15	1587942	Low pressure transducer (LPT)	低圧圧力センサ	3P141601-1			○		
	B15	1726451	Low pressure transducer (LPT)	低圧圧力センサ	2P171113-8				○	○
	E84	1605509	Heat shrinkable tube	圧力センサ熱収縮チューブ	4P151322-1		Must be applied when replacing above sensors. 上記圧力センサー交換時使用の事。	○	○	○

4. Order for temperature sensor

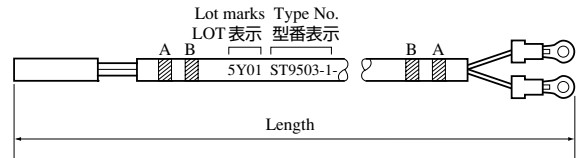
4. 温度センサーの発注

Refer to the following table for temperature sensors applied to this model.

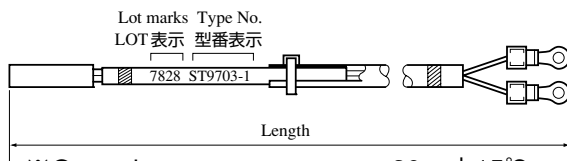
この機種に使用されている温度センサーは下記の通りです。



※Operating temp. range -30~+150°C
使用温度範囲 -30~+150°C



※Operating temp. range -30~+70°C
使用温度範囲 -30~+70°C



※Operating temp. range -30~+15°C
使用温度範囲 -30~+15°C

※1 Location 取付場所

Indoor A : Indoor supply air side

Indoor B : Indoor return air side

庫内A : 庫内吹出空気側

庫内B : 庫内吸込空気側

呼称	NO. 符号	PARTS NO. 部品番号	PARTS NAME	部品名称	DWG. NO. 図番	TYPE 形 式	WIRE COLOR 配線色		LENGTH 全長mm	※1 LOCATION 取付場所	TEMPORALY EXCHANGABILITY 緊急時互換性
							A	B			
1. SS ☆1	C24	0798299	Supply air temp. sensor	吹出空気温度センサー	3PA61769-3	ST9503-3	green 緑	- -	3100	Indoor A 庫内A	○
2. DSS ☆1	C25	079877J	Data recorder supply air temp. sensor	データレコーダ吹出空気温度センサー	3PA61769-8	ST9503-8	green 緑	Red 赤	3100	Indoor A 庫内A	○
3. RS ☆2	C26	079827J	Return air temp. sensor	吸込空気温度センサー	3PA61769-1	ST9503-1	Blue 青	- -	2900	Indoor B 庫内B	○
4. DRS ☆2	C27	0798732	Data recorder return air temp. sensor	データレコーダ吸込空気温度センサー	3PA61769-7	ST9503-7	Blue 青	Red 赤	3100	Indoor B 庫内B	○
5. EIS ☆2	D4	156282J	Evaporator inlet temp. sensor	蒸発器入口温度センサー	3P012118-2	ST9703-2	Brown 茶	- -	2500	Indoor EVP. 庫内蒸発器	
6. EOS ☆2	D5	156283J	Evaporator outlet temp. sensor	蒸発器出口温度センサー	3PA61769-15	ST9503-15	Yellow 黄	- -	2600	Indoor EVP. 庫内蒸発器	○
7. DCHS ☆3	B11	098332J	Discharge pipe temp. sensor	吐出管温度センサー	3SA48009-10	ST9701-10	- -	- -	2800	Outdoor 庫外	
8. AMBS ☆3	B12	0798321	Ambient air temp. sensor	外気温度センサー	3PA61769-6	ST9503-6	- -	- -	2600	Outdoor 庫外	○
9. SGS ☆3	B13	098333J	Compressor suction gas temp. sensor	圧縮機吸入ガス温度センサー	3PA61769-9	ST9503-9	White 白	- -	2900	Outdoor 庫外	○
10. RSS	H23	0798307	Recorder supply air sensor	レコーダ吹出空気温度センサー	3PA61769-4	ST9503-4	green 緑	green 緑	2900	Indoor A 庫内A	○
11. RRS	H24	079828J	Recorder return air sensor	レコーダ吸込空気温度センサー	3PA61769-2	ST9503-2	Blue 青	Blue 青	2900	Indoor B 庫内B	○

Note : Refer to the following replacement instruction.

注 : 次頁の交換要領書を参照ください。

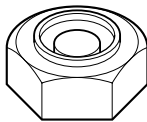
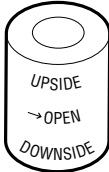
A12E only

A12Eのみ

- ☆1 : When you replace SS, and DSS at the same time, we recommend you order the following Sensor ass'y.
- ☆1 : SS,DSSを同時に交換する際は下記センサ組立品 (SS,DSS) を発注することをおすすめします。
Sensor ass'y センサ組立品 No.1726413 (2P171113-4)
- ☆2 : When you replace RS,DRS,EIS and EOS at the same time, we recommend you order the following Sensor ass'y.
- ☆2 : RS,DRS,EIS,EOSを同時に交換する際は下記センサ組立品 (RS,DRS,EIS,EOS) を発注することをおすすめします。
Sensor ass'y センサ組立品 No.1726406 (2P171113-2)
- ☆3 : When you replace DCHS,AMBS, and SGS at the same time, we recommend you order the following Sensor ass'y.
- ☆3 : DCHS,AMBS,SGSを同時に交換する際は下記センサ組立品 (DCHS,AMBS,SGS) を発注することをおすすめします。
Sensor ass'y センサ組立品 No.1726420 (2P171113-5)

1. Tools for emergency operation

1. 緊急運転用工具

NO. 符号	PARTS NO. 部品番号	PARTS NAME	部品名称	DWG NO. 図面番号	USE 用途	ILLUSTRATION 姿図
-	1080263	Emergency coil cap	エマージェンシー コイルキャップ	3P017370-1	For electronic expansion valve 電子膨張弁用	
-	1270530	Emergency magnet	エマージェンシー マグネット	2P078385-2	Suction modulating valve 吸入比例弁用	

(See Service Manual for application.)

(使用方法はサービスマニュアルを参照ください。)

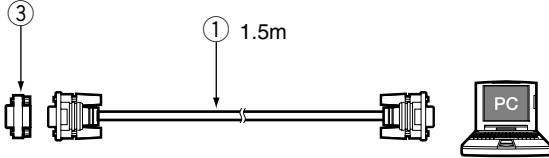
2. Personal computer cable (for DCCS)

2. パソコンケーブル（DCCS用）

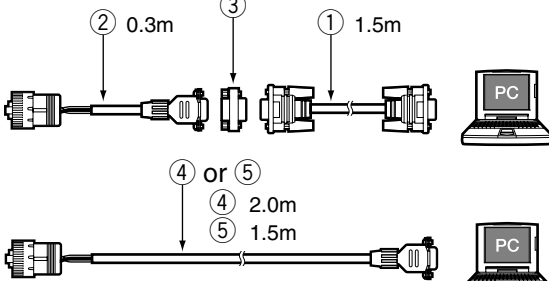
The following parts are connector cables required to exchange information between the refrigeration unit and personal computer. The table below describes parts required to apply to Model LXE-C, -D, and -E new model.

下記の部品は冷凍ユニットとパソコンの情報交換に必要なコネクタ、ケーブル類です。LXE-C型、D型、及び新機種E型対応に必要な部品を掲載しています。

[TYPE A]タイプA

LXE10C LXE10CA LXE10D for MOL	LXE10C LXE10CA MOL用LXE10D	
(Receptacle) RS232C (Female) on the controller	(レセプタクル) RS232C (メス) コントローラー側	

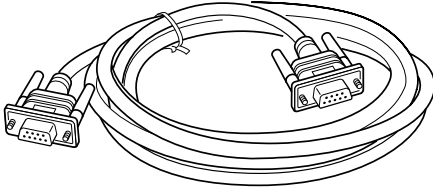
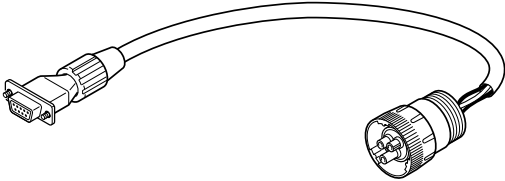
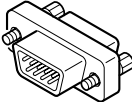
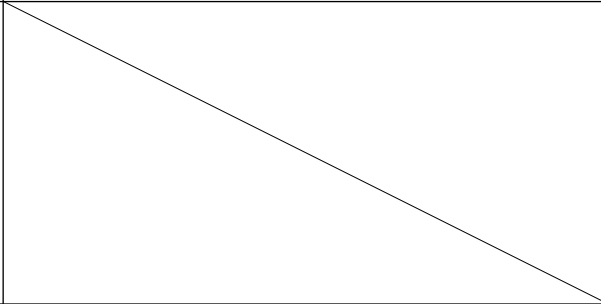
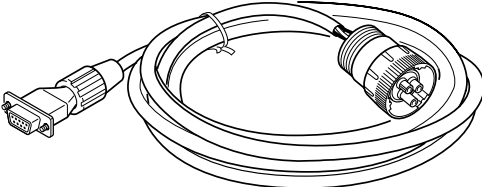
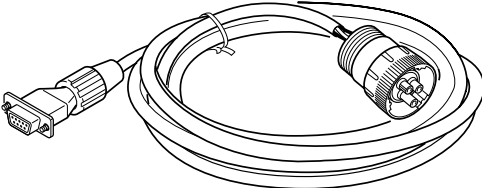
[TYPE B]タイプB

LXE10D LXE10E	LXE10D LXE10E	
(Receptacle) Water proof type on the unit	(レセプタクル) コンテナ冷凍機 ユニットの防水型	

(1) Parts No.

(1) 部品番号

NO. 符号	PARTS NO. 部品番号	PARTS NAME	部品名称	REMARKS 備考
①	Local supply 市販品	Connection cable (reverse)	接続ケーブル (リバース)	RS232C reverse (cross) type RS232Cリバース (クロス) 型
②	9993324	Connection cable	接続ケーブル	
③	Local supply 市販品	Adapter (gender changer)	アダプター (ジェンダーチェンジャー)	D-sub 9P, Male-Male Dサブ9ピン、オス-オス
④	1087149	Connection cable (3 Pins)	接続ケーブル (3ピン)	LXE10E-A For 3 pins LXE10E-A 3ピン用
⑤	1384509	Connection cable (5 Pins)	接続ケーブル (5ピン)	For LXE10E-A For 5 pins LXE10E-A 5ピン用

NO. 符号	Illustration 姿図	Internal Wiring 内部配線																														
①		<p>RS232C Female RS232C Female</p> <p>メス メス</p> <table border="0"> <tr><td>1</td><td>↔</td><td>1</td></tr> <tr><td>2</td><td>↔</td><td>2</td></tr> <tr><td>3</td><td>↔</td><td>3</td></tr> <tr><td>4</td><td>↔</td><td>4</td></tr> <tr><td>5</td><td>↔</td><td>5</td></tr> <tr><td>6</td><td>↔</td><td>6</td></tr> <tr><td>7</td><td>↔</td><td>7</td></tr> <tr><td>8</td><td>↔</td><td>8</td></tr> <tr><td>Frame</td><td></td><td>Frame</td></tr> <tr><td>フレーム</td><td></td><td>フレーム</td></tr> </table>	1	↔	1	2	↔	2	3	↔	3	4	↔	4	5	↔	5	6	↔	6	7	↔	7	8	↔	8	Frame		Frame	フレーム		フレーム
1	↔	1																														
2	↔	2																														
3	↔	3																														
4	↔	4																														
5	↔	5																														
6	↔	6																														
7	↔	7																														
8	↔	8																														
Frame		Frame																														
フレーム		フレーム																														
②		<p>Daikin made RS232C Female</p> <p>ダイキン製 メス</p> <table border="0"> <tr><td>A</td><td>Red</td><td>1</td></tr> <tr><td>B</td><td>White</td><td>2</td></tr> <tr><td>C</td><td>Black</td><td>3</td></tr> <tr><td></td><td></td><td>4</td></tr> <tr><td></td><td></td><td>5</td></tr> <tr><td></td><td></td><td>6</td></tr> <tr><td></td><td></td><td>7</td></tr> <tr><td></td><td></td><td>8</td></tr> <tr><td></td><td></td><td>9</td></tr> </table>	A	Red	1	B	White	2	C	Black	3			4			5			6			7			8			9			
A	Red	1																														
B	White	2																														
C	Black	3																														
		4																														
		5																														
		6																														
		7																														
		8																														
		9																														
③																																
④		<p>Daikin made RS232C Female</p> <p>ダイキン製 メス</p> <table border="0"> <tr><td>A</td><td>Red 赤</td><td>1</td></tr> <tr><td>B</td><td></td><td>2</td></tr> <tr><td>C</td><td>White 白</td><td>3</td></tr> <tr><td></td><td></td><td>4</td></tr> <tr><td></td><td>Black 黒</td><td>5</td></tr> <tr><td></td><td></td><td>6</td></tr> <tr><td></td><td></td><td>7</td></tr> <tr><td></td><td></td><td>8</td></tr> <tr><td></td><td></td><td>Frame</td></tr> <tr><td></td><td></td><td>フレーム</td></tr> </table>	A	Red 赤	1	B		2	C	White 白	3			4		Black 黒	5			6			7			8			Frame			フレーム
A	Red 赤	1																														
B		2																														
C	White 白	3																														
		4																														
	Black 黒	5																														
		6																														
		7																														
		8																														
		Frame																														
		フレーム																														
⑤		<p>Daikin made RS232C Female</p> <p>ダイキン製 メス</p> <table border="0"> <tr><td>A</td><td>Red 赤</td><td>1</td></tr> <tr><td>B</td><td></td><td>2</td></tr> <tr><td>C</td><td>White 白</td><td>3</td></tr> <tr><td>D</td><td></td><td>4</td></tr> <tr><td>E</td><td>Black 黒</td><td>5</td></tr> <tr><td></td><td></td><td>6</td></tr> <tr><td></td><td></td><td>7</td></tr> <tr><td></td><td></td><td>8</td></tr> <tr><td></td><td></td><td>Frame</td></tr> <tr><td></td><td></td><td>フレーム</td></tr> </table>	A	Red 赤	1	B		2	C	White 白	3	D		4	E	Black 黒	5			6			7			8			Frame			フレーム
A	Red 赤	1																														
B		2																														
C	White 白	3																														
D		4																														
E	Black 黒	5																														
		6																														
		7																														
		8																														
		Frame																														
		フレーム																														

<https://daikin-p.ru>

MEMO

ダイキン工業株式会社
DAIKIN INDUSTRIES, LTD.

大金工業株式会社

本 社 大阪市北区中崎西2丁目4番12号 梅田センタービル
郵便番号 530-8323 電話 大 阪 (06) 6373-4338
東京支社 東京都港区港南2-18-1 JR品川イーストビル10階
郵便番号 108-0075 電話 東 京 (03) 6716-0420

Head Office. Umeda Center Bldg., 4-12, Nakazaki-Nishi 2-chome, Kita-ku, Osaka, 530-8323 Japan.

Tel: 06-6373-4338

Fax: 06-6373-7297

Tokyo Office. JR Shinagawa East Bldg., 10F 18-1, Konan 2-chome, Minato-ku Tokyo, 108-0075 Japan.

Tel: 03-6716-0420

Fax: 03-6716-0230

總 公 司：大阪市北區中崎西2丁目4-12
梅田中心大廈（郵政編號：530-8323）
電話：06-6373-4338
傳真：06-6373-7297

東京分公司：東京都港區港南2-18-1
JR品川東樓（郵政編號：108-0075）
電話：03-6716-0420
轉真：03-6716-0230