

DAIKIN



Marine type Container Refrigeration Unit

Service Manual · Parts List

Optional Functions

LXE10E-A27A
LXE10E-A27B

Covered Models

Regarding the features and operation of the unit, this service manual describes the items which are different from those of the service manual TR01-09A.

NO.	Item	Different points from service manual (Maintenance and Repair)
1☆	Dehumidification function	Refer to the details in the following pages.
2☆	Trans FRESH (PROVISION)	Provided

For the ☆ marked items, refer to the details in the following pages.

The difference of LXE10E-A27A and A27B.

Model	Controller
LXE10E-A27A	DECOS III c
LXE10E-A27B	DECOS III d

CONTENTS

Safety Precautions

• Danger	3
• Warning	4
• Caution	5

1. Introduction

1.1 Operation range	1-1
☆ 1.2 Basic Names of components	1-1
1.3 Basic operation of refrigeration unit	1-2
1.3.1 Starting operation	1-2
1.3.2 Checking during operation	1-3
1.3.3 Procedure after operation	1-3
1.3.4 Adjust the ventilation	1-4

2. General description

2.1 Main specifications	2-1
2.2 Names of components	2-2
☆ 2.2.1 Outside	2-2
2.2.2 Inside	2-4
2.2.3 Control box	2-6
2.3 Set point of functional parts and protection devices	2-9
2.4 Operating pressure and running current	2-10
☆ 2.5 Operation modes and control	2-14
2.5.1 Frozen mode	2-15
2.5.2 Chilled and partial frozen mode	2-17
2.5.3 Defrosting mode	2-19
☆ 2.5.4 Dehumidification mode (Optional)	2-22
2.5.5 Common control	2-23

3. Electronic Controller

3.1 Function table	3-1
3.2 Basic operation of electronic controller	3-3
3.2.1 Control panel	3-3
3.2.2 Operation mode and control	3-5
3.3 Operation procedure	3-6
3.3.1 Operation procedure flow chart	3-6
3.3.2 Mode operation procedure	3-9
1. Current (Operation state) indication mode	3-9
2. Operation setting mode	3-10
3. Battery mode	3-11
☆ 4. Mode operation	3-12
5. LED display light-OFF mode	3-14
6. Sensor indication mode	3-15
7. Temperature record scroll mode	3-18
8. Alarm record scroll mode	3-21
9. PTI record scroll mode	3-23
3.3.3 Setting flow chart	3-24
10. Optional function setting mode	3-26
11. Basic function setting mode	3-27
12. Optional condition setting mode	3-29
13. Input data mode	3-31
14. Controller software download mode	3-32
3.4 Alarm display and back-up function	3-33
☆ 3.4.1 Alarm list	3-33
3.4.2 Back-up operation at sensor malfunction	3-34
3.5 Battery	3-36
☆ 3.5.1 Specifications	3-36
3.5.2 Function	3-36
3.6 Information interchange with personal computer	3-37
3.6.1 Data logging	3-38
3.6.2 Software configuration	3-39
3.7 Inspection procedure for the electronic controller	3-41
3.8 Controller replacement and the initial setting	3-42
3.8.1 Controller replacement	3-42
3.8.2 Initial setting & operation procedure	3-43
3.8.3 Initial setting table into spare controller	3-44
3.9 PTI (Pre-Trip Inspection) and periodic inspection	3-45
3.9.1 Inspection item	3-46
3.9.2 Automatic PTI (Pre-Trip Inspection)	3-49
3.9.2.1 PTI selection mode	3-50
3.9.2.2 Short PTI (S.PTI)	3-51
3.9.2.3 Full PTI (F.PTI)	3-52
3.9.2.4 Alarm list during PTI (Pre-Trip Inspection)	3-53
3.9.2.5 Manual check (M.CHECK)	3-54

3.10 Chartless function	3-56
3.10.1 Chart indication function	3-56
3.10.2 P code (Pull down time indication)	3-58
3.10.3 Chartless code display function	3-59
3.10.3.1 List of chartless code	3-59
3.10.3.2 H-code	3-60
3.10.3.3 d-code:	3-62
3.11 Communication modem	3-63

4. Service and Maintenance

4.1 Maintenance service	4-1
4.1.1 Collection of refrigerant	4-1
4.1.2 Gauge manifold	4-1
4.1.3 Automatic pump down	4-3
4.1.4 Refrigerant recovery and charge	4-5
4.2 Main components and maintenance	4-9
4.2.1 Scroll compressor	4-9
4.2.2 Fan and fan motor	4-11
4.2.3 PT and CT board (EC9756)	4-12
☆ 4.2.4 Electronic expansion valve	4-14
4.2.5 Suction modulation valve	4-15
4.2.6 Drier	4-16
4.2.7 Solenoid valve	4-17
4.2.8 Discharge pressure regulating valve	4-18
4.2.9 Check valve	4-18
4.2.10 High-pressure switch (HPS)	4-19
4.2.11 Low pressure transducer (LPT)	4-19
4.2.12 High pressure transducer (HPT)	4-20
4.2.13 Air-cooled condenser and evaporator	4-20
4.2.14 Fusible plug	4-21
4.2.15 Liquid/moisture indicator	4-21
4.2.16 Evacuation and dehydrating	4-22

5. Optional Devices

5.1 Electronic temperature recorder	5-1
5.2 USDA transportation	5-3
5.2.1 Type of USDA sensor/receptacle	5-3
5.2.2 Initial setting	5-3
5.2.3 USDA sensor calibration	5-3
5.2.4 USDA transportation requirement	5-3
5.2.5 USDA report	5-3
☆ 5.3 TransFRESH	5-5

6. Troubleshooting

6.1 Refrigeration system and electrical system	6-1
6.2 Alarm codes on electronic controller	6-4
6.3 Troubleshooting for automatic PTI (J-code)	6-9
6.4 Diagnosis based on the recording chart	6-11
6.5 Emergency operation	6-14
6.5.1 Emergency operation of controller	6-14
6.5.2 Short circuit operation of controller	6-15
6.5.3 Opening adjustment of electronic expansion valve	6-16
6.5.4 Opening adjustment of suction modulation valve:	6-17
6.5.5 Automatic Back up for supply/ return air temperature sensors	6-18
6.6 Troubleshooting for automatic PTI (J-code)	6-19

7. Appendix

7.1 Standard tightening torques for bolts	7-1
7.2 Standard tightening torque for flare nut	7-1
7.3 Resistance of motor coil and solenoid valve coil	7-1
7.4 HFC134a, temperature-vapor pressure characteristics table	7-2
7.5 Temperature conversion table and temperature sensor (SS/RS/DSS/DRS/RSS/RRS/EIS/EOS/SGS/AMBS) characteristics table	7-3
7.6 Temperature conversion table and temperature sensor (DCHS) characteristics table	7-4
7.7 High pressure transducer characteristics table	7-4
7.8 Low pressure transducer characteristics table	7-4
☆ 7.9 Piping diagram	7-5
7.10 Pilot lamps and monitoring circuit	7-6
7.11 Fuse protection table	7-7
☆ 7.12 Schematic wiring diagram	7-9
☆ 7.13 Stereoscopic wiring diagram	7-10

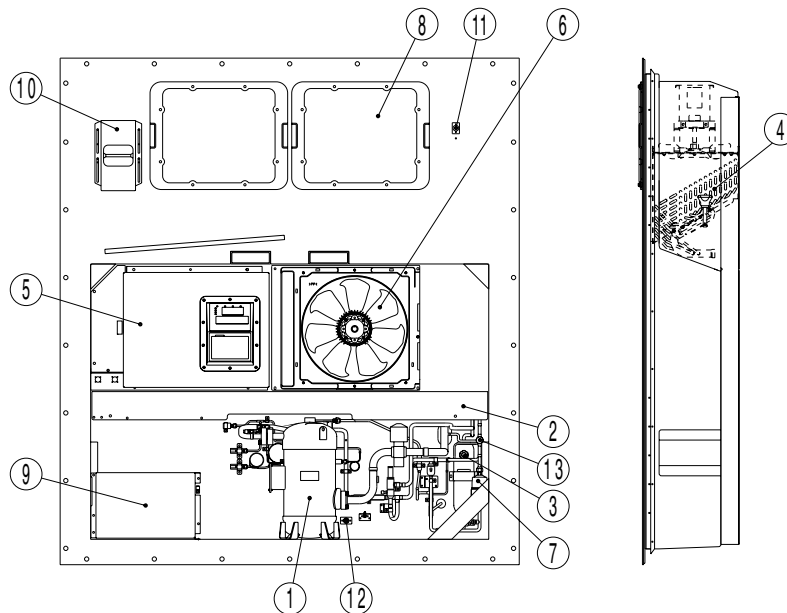
1. Introduction

1.1 OPERATION RANGE

Use the units within the following range.

Item	Operation range
Ambient temperature range	-30°C to +50°C (-22°F to + 122°F)
Inside temperature range	-30°C to +30°C (-22°F to + 86°F)
Voltage	50Hz: 380V/400V/415V, 60Hz: 440V/460V Voltage fluctuation rate should be within ±10%
Vibration and shock	2G

1.2 BASIC NAMES OF COMPONENTS



- | | |
|---|---|
| ① Compressor | ⑧ Access panel |
| ② Air-cooled condenser | ⑨ Storage space for power cable |
| ③ Receiver | ⑩ Ventilator |
| ④ Evaporator | ⑪ Sampling port (Return) (Use this port to measure the inside return air temperature.) |
| ⑤ Control box | ⑫ Gas sampling port (This is used to measure the inside supply air temperature and inside CO ² concentration.) |
| (Outside: switch, manual defrost switch, monitoring receptacle | ⑬ Liquid moisture indicator |
| (Inside: circuit breaker | |
| ⑥ Condenser fan | |
| ⑦ Drier | |

2. General description

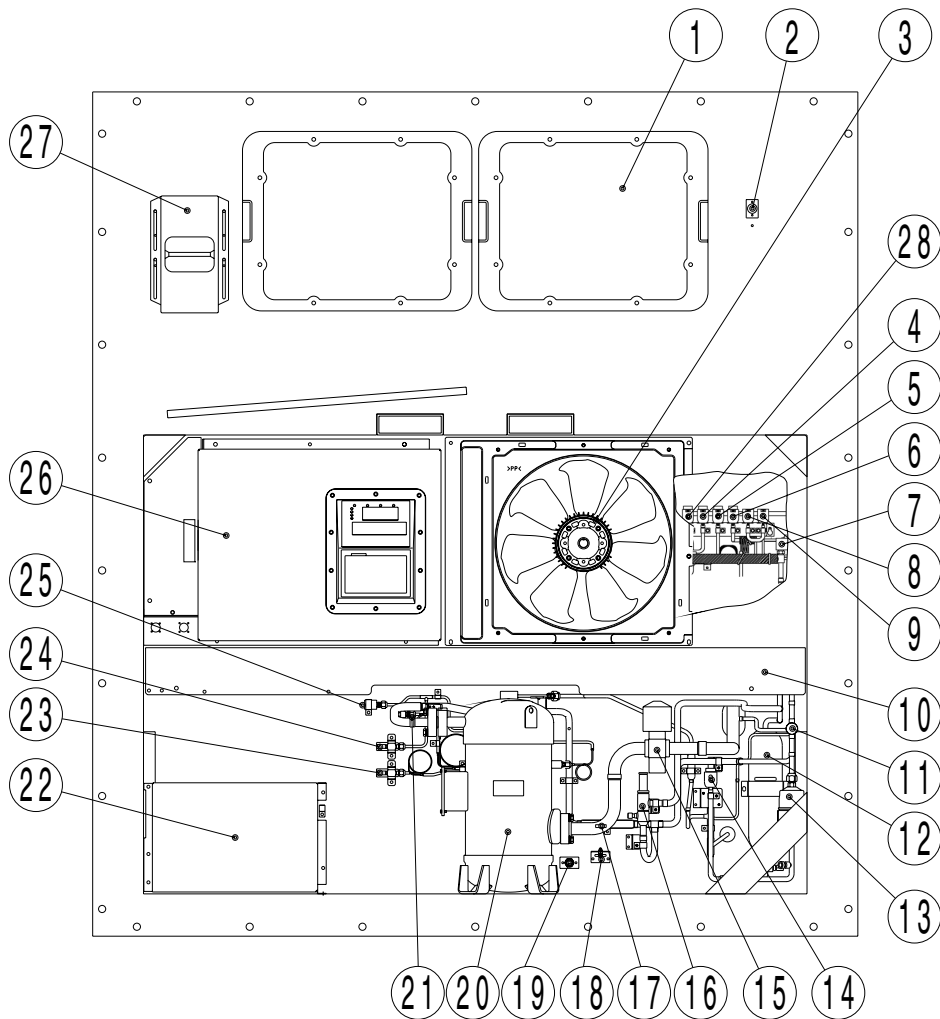
2.1 Main specifications

Item	Model	LXE10E
Condenser cooling system		Air cooled type
Controller		DECOS III C (A27A) DECOS III d (A27B)
Power supply		AC 3-phase 380V/400V/415V 50Hz, 440V/460V 60Hz
Compressor		Hermetic scroll type (Motor output: 5.5kW)
Evaporator		Cross fin coil type
Air-cooled condenser		Cross fin coil type
Evaporator fan		Propeller fan
Evaporator fan motor		Three-phase squirrel-cage induction motor
Condenser fan		Propeller fan
Condenser fan motor		Three-phase squirrel-cage induction motor
Defrosting	System	Hot-gas defrosting system
	Initiation	Dual timer, on-demand defrost and manual switch
	Termination	Detecting the temperature of evaporator outlet pipe and return air
Refrigerant flow control		Electronic expansion valve
Capacity control		Capacity control with hot gas bypass and suction modulating valve
Protective devices /Safety devices		Circuit breaker, PT/CT board (for over current protection). Compressor thermal protector Condenser fan-motor thermal protector Evaporator fan-motor thermal protector High-pressure switch, Fusible plug, Fuse (10A, 5A)
Refrigerant (charged amount)		R134a : 4.6 (kgf)
Refrigerant oil (charged amount)		IDEMITSU, Daphne hermetic oil FVC 46D : 2.2(ℓ)
Weight		495(kgf)

2.2 Names of components

2.2.1 Outside

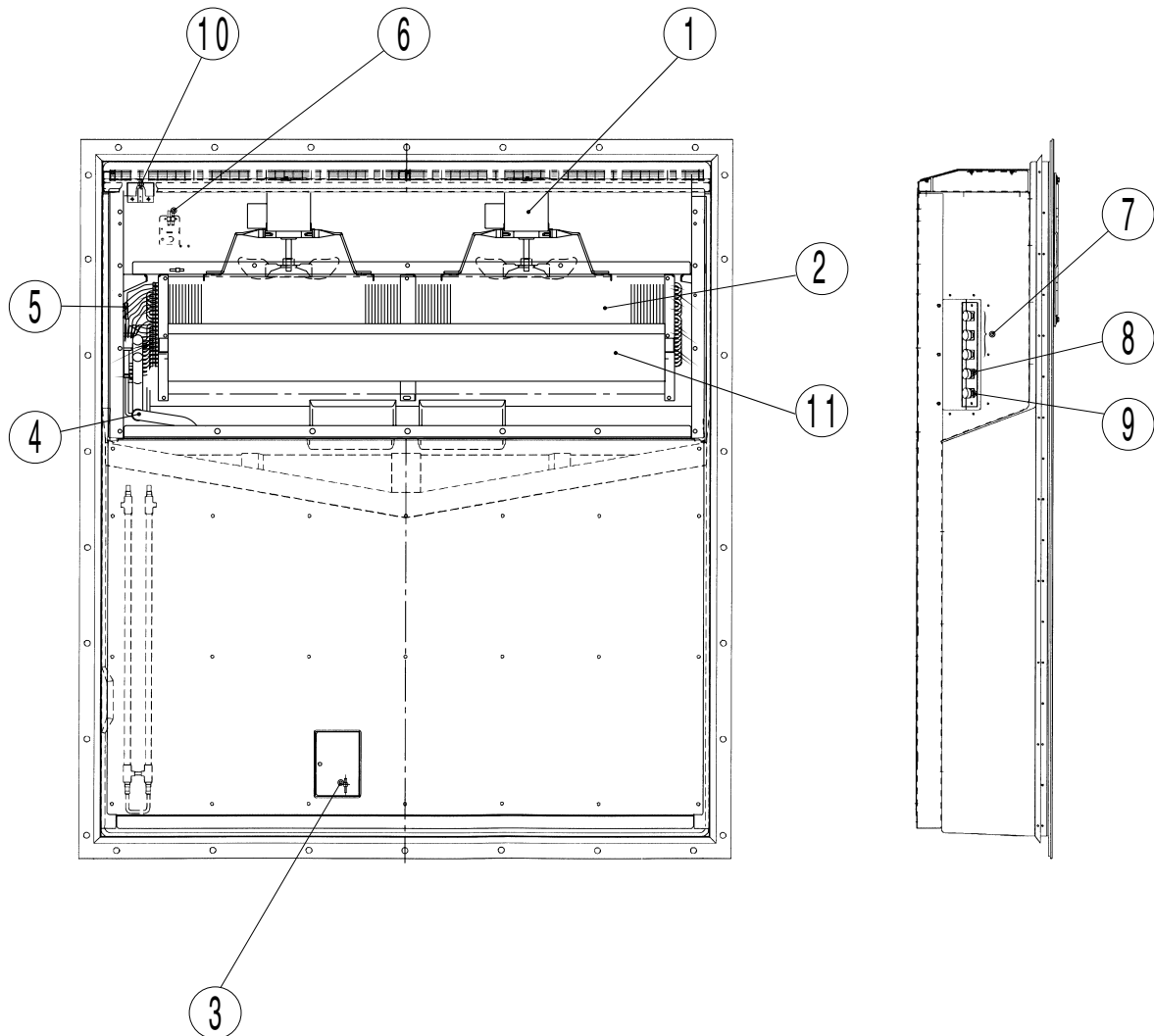
●LXE10E



- | | |
|--|--|
| ① Access panel | ⑩ Air-cooled condenser |
| ② Thermometer check port (Return air) | ⑪ Liquid/moisture indicator |
| ③ Condenser fan motor (CFM) | ⑫ Liquid receiver |
| ④ Hot-gas solenoid valve (HSV) | ⑬ Drier |
| ⑤ Defrost solenoid valve (DSV) | ⑭ Liquid solenoid valve (LSV) |
| ⑥ Discharge gas by-pass solenoid valve (BSV) | ⑮ Suction modulating valve (SMV) |
| ⑦ Electronic expansion valve (EV) | ⑯ Discharge pressure regulating valve (DPR) |
| ⑧ Economizer solenoid valve (ESV) | ⑰ Compressor suction pipe temperature sensor (SGS) |
| ⑨ Injection solenoid valve (ISV) | ⑱ Ambient temperature sensor (AMBS) |
| | ⑲ Thermometer check port (Supply air) |
| | ⑳ Compressor (MC) |
| | ㉑ Discharge pipe temperature sensor (DCHS) |
| | ㉒ Storage space for power cable |
| | ㉓ Low pressure transducer (LPT) |
| | ㉔ High pressure transducer (HPT) |
| | ㉕ High pressure switch (HPS) |
| | ㉖ Control box |
| | ㉗ Ventilation |
| | ㉘ Reheat coil solenoid valve (RSV) |

2.2.2 Inside

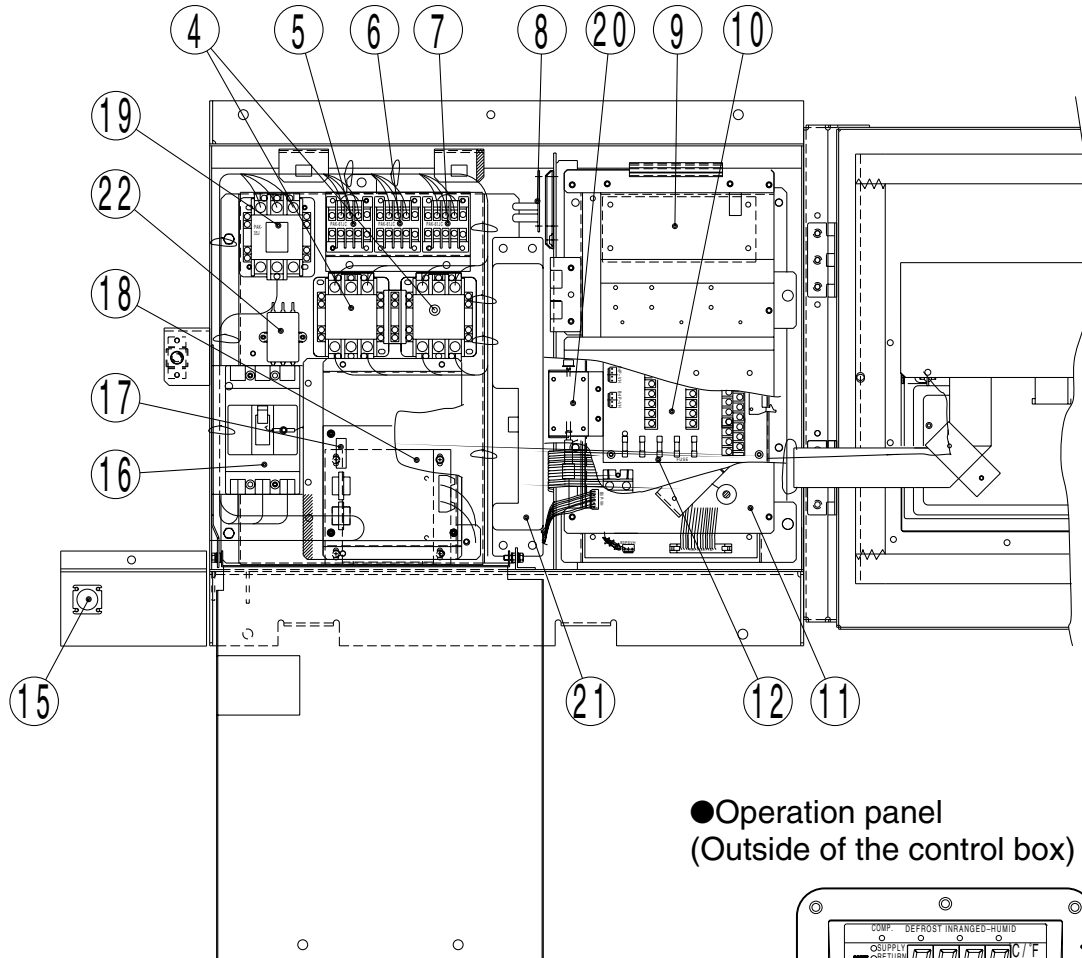
●LXE10E



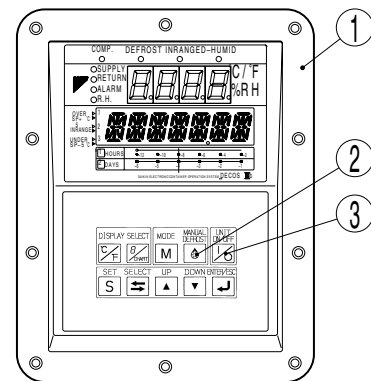
- ① Evaporator fan motor (EFM)
- ② Evaporator
- ③ Supply air temperature sensor (SS)
Data recorder supply air temperature sensor (DSS)
Recorder supply air temperature sensor (RSS, optional)
- ④ Evaporator outlet pipe temperature sensor (EOS)
- ⑤ Evaporator inlet pipe temperature sensor (EIS)
- ⑥ Return air temperature sensor (RS)
Data recorder return air temperature sensor (DRS, optional)
Recorder return air temperature sensor (DRS, optional)
- ⑦ USDA receptacle (optional)
- ⑧ Cargo temp. receptacles
- ⑨ P.C. Port receptacles
- ⑩ Humidity sensor
- ⑪ Reheat coil

2.2.3 Control box

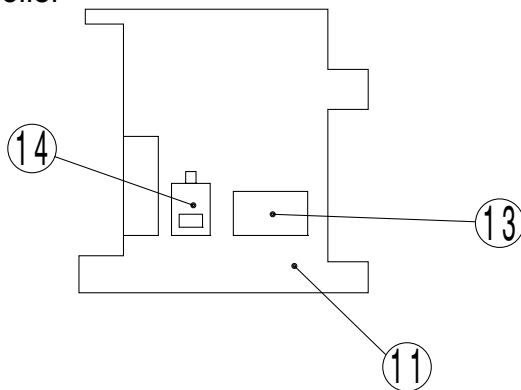
● Inside of the control box



● Operation panel (Outside of the control box)



● Controller



- | | |
|--|---|
| ① Controller operation panel (EC3, 4) | ⑫ Fuse (Fu1-6) |
| ② MANUAL DEFROST key | ⑬ Rechargeable battery (BAT) |
| ③ UNIT ON/OFF key | ⑭ Voltage indicator |
| ④ Phase correction contactor (PCC1,2) | ⑮ Personal computer receptacle |
| ⑤ Magnetic contactor for high speed evaporator fan (EFH) | ⑯ Circuit breaker (CB) |
| ⑥ Magnetic contactor for low speed evaporator fan (EFL) | ⑰ PT/CT board |
| ⑦ Magnetic contactor condenser fan (CFC) | ⑱ Transformer (TrC), control circuit |
| ⑧ Reverse phase protection device (RPP) | ⑲ Magnetic contactor for compressor (CC) |
| ⑨ Adopter PCB (EC6) | ⑳ P.C.B for humidity sensor (HUS, optional) |
| ⑩ Terminal block board (TB1) | ㉑ Modem (RCD, optional) |
| ⑪ Controller CPU / IO board (EC1, 2) | ㉒ Noise filter (NF, optional) |

2.3 Set point of functional parts and protection devices

	Device name		Actuation	Set point	Detection method	Symbol			
Pressure switch	High-pressure switch		OFF ON	2400kPa (24.47kg/cm ²) 1900kPa (19.37kg/cm ²)	High-pressure switch	HPS			
	Water pressure switch (optional)		OFF ON	98kPa (1.0kg/cm ²) 39kPa (0.4kg/cm ²)	Water pressure switch	WPS			
Electronic controller	Mode selection	Chilled mode	ON	A27A (DECOS III c) +30.0°C to -2.9°C (+86.0°F to +26.8°F) A27B (DECOS III d) +30.0°C to -3.0°C (+86.0°F to +26.6°F)	Set point temperature	EC			
		Partial frozen mode		A27A (DECOS III c) -3.0°C to -10.0°C (+26.6°F to +14.0°F) A27B (DECOS III d) -3.1°C to -10.0°C (+26.4°F to +14.0°F)					
		Frozen mode		-10.1°C to -30.0°C (+13.8°F to -22.0°F)					
	Delay timer	Fan	Change-over for Hi/Lo	ON	10 seconds				
			After defrosting		60 seconds				
		Compressor	At starting		3 seconds				
			Defrosting timer	Initiation	Short			ON	4 hours ※1
	Long				3, 6, 9, 12, 24 and 99 hours(※2)				
			Back-up	OFF	90 minutes				
			In-range masking		90 minutes ※3				
			Out-range guard	ON	30 minutes				
	Defrosting termination set point		OFF Reset		30°C (86°F) 15°C (59°F) ※4			Evaporator outlet temperature sensor Return air temperature sensor	EOS RS, DRS
	High-pressure control for Condenser fan (※Frozen only)		OFF ON		800kPa (8.2kg/cm ²) ※7 1000kPa (10.2kg/cm ²)			High-pressure transducer	HPT
	Discharge gas temperature protection set point	Pull down	LPT>50kpa	OFF Reset	135°C (275°F) After 3 minutes elapsed			Discharge gas temperature sensor	DCHS
			LPT≤50kpa	OFF Reset	128°C (262°F) After 3 minutes elapsed				
Overcurrent protection set point (Cutout)		OFF Reset		26.0A After 3 minutes elapsed	PT/CT board			CT2	
Current control		Control		50Hz : 16.1A 60Hz : 17.4A	PT/CT board			CT1	
High pressure control		Control		2300 to 2350 kPa (23.5 to 24.0 kg/cm ²)	High pressure sensor			HPT	
Current	Circuit breaker		OFF	30A		CB			
	Fuse		OFF	5A, 10A ※5		Fu			
Motor	Evaporator fan motor thermal protector		OFF	132°C (270°F)					
	Condenser fan motor thermal protector		OFF	135°C (275°F)		MTP			
	Compressor motor thermal protector		OFF	140°C (284°F)		CTP			

(※1) When Return air (RS) is lower than -20°C, defrost starts every 6 hours.

(※2) When "99" hours is selected, refer to on demand defrost in 2.5.3. (TR01-09A)

(※3) When Inside set point is -20.0°C or Lower, In-range masking is 120min.

(※4) If defrost is initiated when inside temperature is out range area. (= In-range LED is not light), this condition is added to finish defrost. Refer to "Defrosting termination" in 2.5.3. (TR01-09A)

(※5) Refer to "Fuse Protection table" in 7.11. (TR01-09A)

(※7) When dehumidification is ON in dehumidification mode, the setting figure may change between 900~2100kPa automatically (Refer to "High Pressure Control" Page 2-17/TR01-09A)

2.4 OPERATION MODES AND CONTROL

The relationship between the operation mode and setting temperature is as follows.

Operation mode	Setting temperature	Control sensor	Operation description
Frozen mode	-10.1°C to -30.0°C (+13.8°F to -22.0°F)	Return air temperature sensor	Compressor ON/OFF control
Partial frozen mode	A27A (DECOS III c) -3.0°C to -10.0°C (+26.6°F to +14.0°F) A27B (DECOS III d) -3.1°C to -10.0°C (+26.4°F to +14.0°F)	Return air temperature sensor	Capacity control operation with suction modulating valve and hot-gas bypass control
Chilled mode	A27A (DECOS III c) -30.0°C to -2.9°C (+86.0°F to +26.8°F) A27B (DECOS III d) -30.0°C to -3.0°C (+86.0°F to +26.6°F)	Supply air temperature sensor	Capacity control operation with suction modulating valve and hot-gas bypass control
Defrosting mode	-	-	Hot-gas defrosting with refrigerant metering control

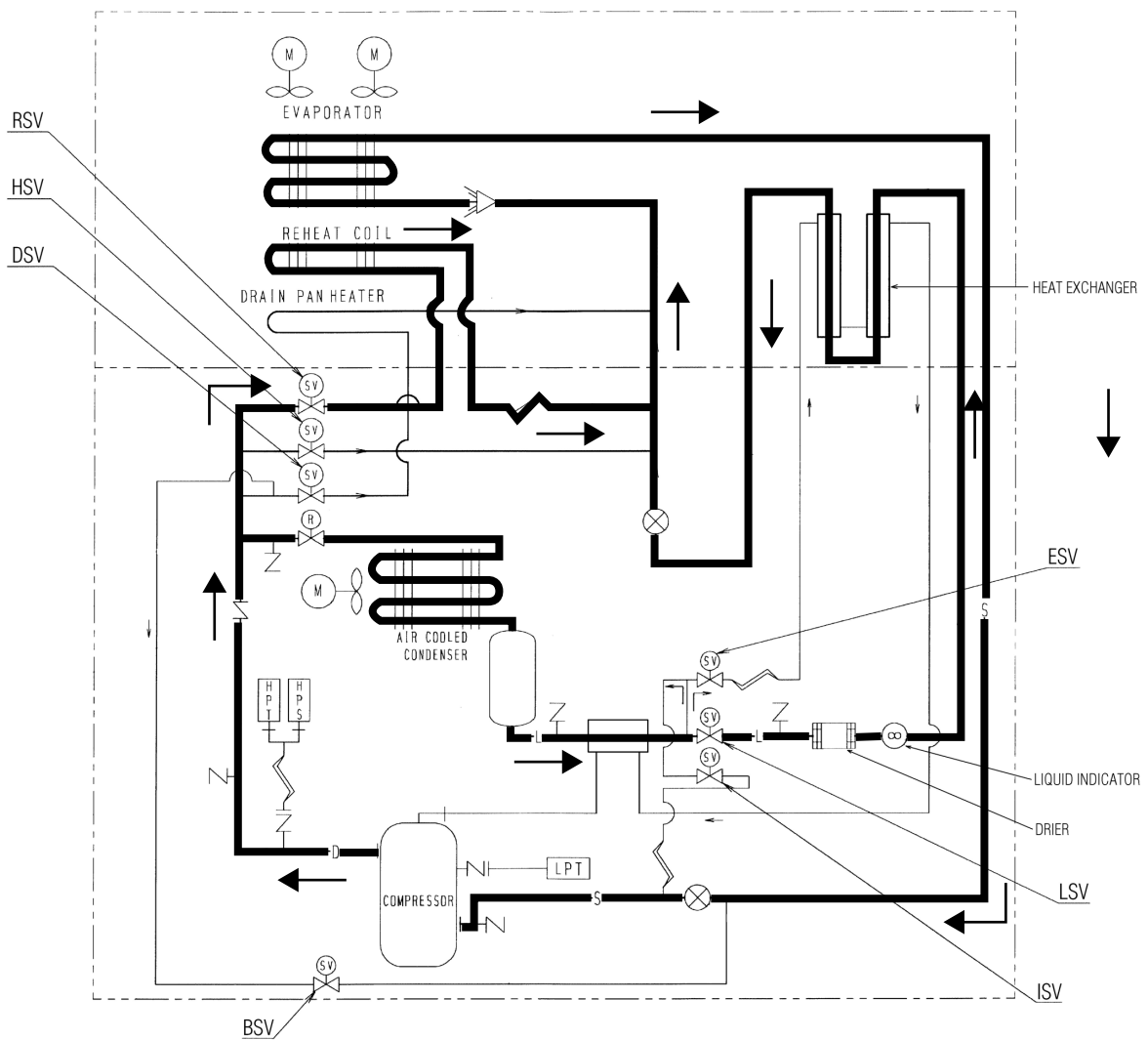
3 Dehumidification mode

The unit have dehumidification control by a reheat coil, which is under the evaporator coil. To execute dehumidification, controller setting is required. (Refer to Page 3-12)


In dehumidification, the Reheat Solenoid Valve (RSV) opens to give high pressurized refrigerant to reheat coil. The "DEHUMID" LED lamp will light up.

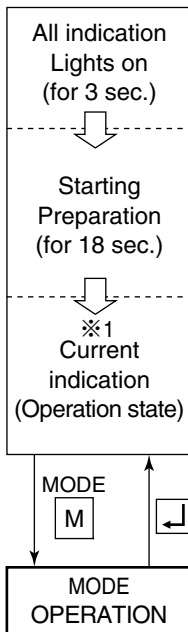
The following setting can be made:

- 1) Dehumidification range: 60%RH–95%RH



4. Mode Operation

Press the  key in current indication mode to go to MODE operation.



In mode operation, the following settings/operations are available.

1. Generator setting

Total power consumption can be reduced to desired Max setting for the specific generators set or power facilities.

The selections are "off (No limit)", "15" "14" "13" "12" "11" KVA.

2. Automatic pump down

Pump down can be executed automatically.

(Refer to "Automatic pump down" in 4.1.3/TR01-09A)

3. Dehumidification mode setting

Dehumidification mode can be executed in this mode (M. Dehumidification mode control in 2.5.4/TR01-09A)

When "Dehumidification" is set to "on", it is possible to change the following set from default.

① Inside humidity : 95% ~60% RH

5 Alarm display and back-up function

5.1 Alarm list

Alarm grouping	Alarm code	Alarm content	Action with alarm	
Permanent stop	F101	HPS activated within 30 seconds after operation start or protection device activated 5 times at start-up operation or Fuse 1 brown (Refer Page 7-7).	Unit stops	
	F109	Low- pressure drops to-85kPa or lower within 2 seconds after operation start.	Unit stops	
	F111	HPS does not activate when it reaches to the set value.	Unit stops	
	F301	Temperature setting required (SRAM failure)	Unit stops	
	F401	Return/Supply air sensor malfunction (at chilled mode)	Unit stops	
	F403	Return/Supply air sensor malfunction (at partial frozen mode)	Unit stops	
	F603	Suction modulating valve (SMV) does not fully close contrary to the designation or initial setting of the controller is wrong.	Unit stops	
	F701	Abnormal high voltage (over 600V)	Unit stops	
	F705	S phase became open phase	Unit stops	
F803	Abnormalities, which make it impossible to continue operation (Note2.)	Unit stops		
Display alone or restartable alarm	Protection device activation	E101	High-pressure switch activated during normal operation.	Restart after 3-minute
		E103	CTP or electronic OC activated during normal operation.	Restart after 3-minute
		E105	Micro processor OC activated during normal operation.	Restart after 3-minute
		E107	DCHS became abnormal high temperature during operation. In the event the refrigerant circulation rate is low, the unit will stand by for three minutes to restart then.	Restart after 3-minute
		E109	Low pressure drops to-90kPa or lower for 2 seconds or longer successively during normal operation.	If this error occurs two times, F803 error will be detected to stop the unit. Restart after 3-minute
	Control error	E201	Pump down is not completed within 90 seconds.	Only alarm display
		E203	Overcool protection activates in the chilled or partial frozen mode. (Control temperature \leq SP-3°C or for 3 minutes)	Restart after 3-minutes
		E205	Evaporator for motor failure	Only alarm display
		E207	Defrosting is not completed within 90 minutes	Only alarm display
	Printed-circuit board failure	E303	Humidity setting required (SRAM failure)	Only alarm display
		E305	Defrost timer setting required (SRAM failure)	Only alarm display
		E307	Calendar setting required (SRAM failure)	Only alarm display
		E311	Trip-start setting required (SRAM failure)	Only alarm display
		E315	PT/CT board failure	Restart after 3-minutes
	Sensor alarm	E401	Supply air temperature sensor (SS) malfunction	Back-up operation
		E402	Data recorder supply air temperature sensor (DSS) malfunction	Back-up operation
		E403	Return air temperature sensor (RS) malfunction	Back-up operation
		E404	Data recorder return air temperature sensor (DRS) malfunction	Back-up operation
		E405	Discharge air temperature sensor (DCHS) malfunction	Only alarm display
		E406	Suction gas temperature sensor (SGS) malfunction	Back-up operation
		E407	Evaporator inlet temperature sensor (EIS) malfunction	Back-up operation
		E409	Evaporator outlet sensor (EOS) malfunction	Back-up operation
		E411	Ambient sensor (AMBS) malfunction	Only alarm display
		E413	Low pressure transducer (LPT) malfunction	Back-up operation
		E415	High pressure transducer (HPT) malfunction	Back-up operation
		E417	Voltage sensor (PT1) malfunction	Only alarm display
		E421	Current sensor (CT1) malfunction	Only alarm display
E423		Current sensor (CT2) malfunction	Restart after 3-minutes	
E425		Pulp temperature sensor (USDA1) malfunction	Only alarm display	
E427	Pulp temperature sensor (USDA2) malfunction	Only alarm display		
E429	Pulp temperature sensor (USDA3) malfunction	Only alarm display		
E431	Humidity sensor (HuS) malfunction	Only alarm display		
E433	Cargo temperature sensor (CTS) or box temperature sensor (CBS) malfunction	Only alarm display		
Electronic functional part alarm	E603	Suction modulating valve (SMV) malfunction or driver malfunction	Back-up operation	
	E607	MDS (sheet key) malfunction	Only alarm display	
Power supply alarm	E707	Momentary power failure	Restart after 3-minutes	
Other alarm	E801	Backup battery replacement date exceeded	Only alarm display	

- Note 1) The alarm LED does not blink when E code alarm is generated.
To check if any alarm generates, use alarm indication function in the section "1. Current indication mode" of "3.3.2 Mode operation procedure."
- 2) In the event error E101, E103, E107, or E109 occurs 10 times, the system will go to 4-hour standby mode.
- 3) In case of sensor malfunction, the judgment for sensor malfunction does not perform for 3 minutes before the pressure or temperature reaches to the specified value.

6 Battery

6.1 Specifications

DECOS IIIc controller can use two types of batteries; Alkaline or Rechargeable (Optional). It is not possible to exchange the type of battery afterwards.

The battery is positioned on CPU & I/O box in controller box.

Alkaline: 9V block battery. (This can be purchased locally.)

Rechargeable: DAIKIN original rechargeable battery

6.2 Function

This battery is used without main power supply for the following functions.

1) Display wake up (Refer to chapter 3.3.2) page 3-11.

Setting/Display the following items on the LCD display.

<Display>

Temperature on the return air sensor

Temperature on the supply air sensor

<Setting change>

Inside temperature, defrosting interval, dehumidifying set (Optional), Unit ON/OFF

2) USDA data log

USDA sensors data log every 1 hour

Note) When the Alkaline battery is equipped, it must be replaced for a new every PTI, when USDA is used.

3) Trip data log

Trip data; Setting point, Supply air, Return air, Humidity and time is logged every 1 hour after power off until battery run out. (Min. 3 days)

6.3 Battery check

Alkaline battery: Press S key to confirm the Battery mode workable.

When the power is disconnected.

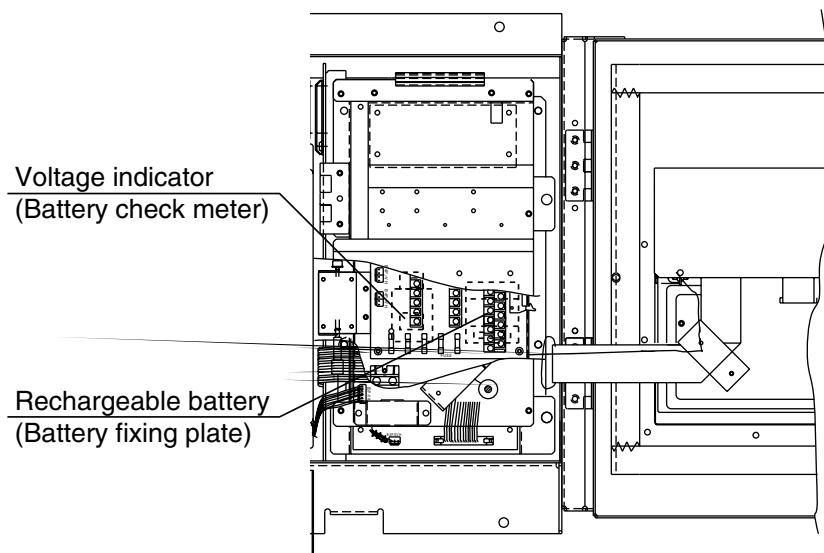
Rechargeable battery: Press "Battery check meter"

Green: Operatable

Red: Replace battery

6.4 Battery replacement (Alkaline and Rechargeable battery)

Detach the cover of battery and replace the battery

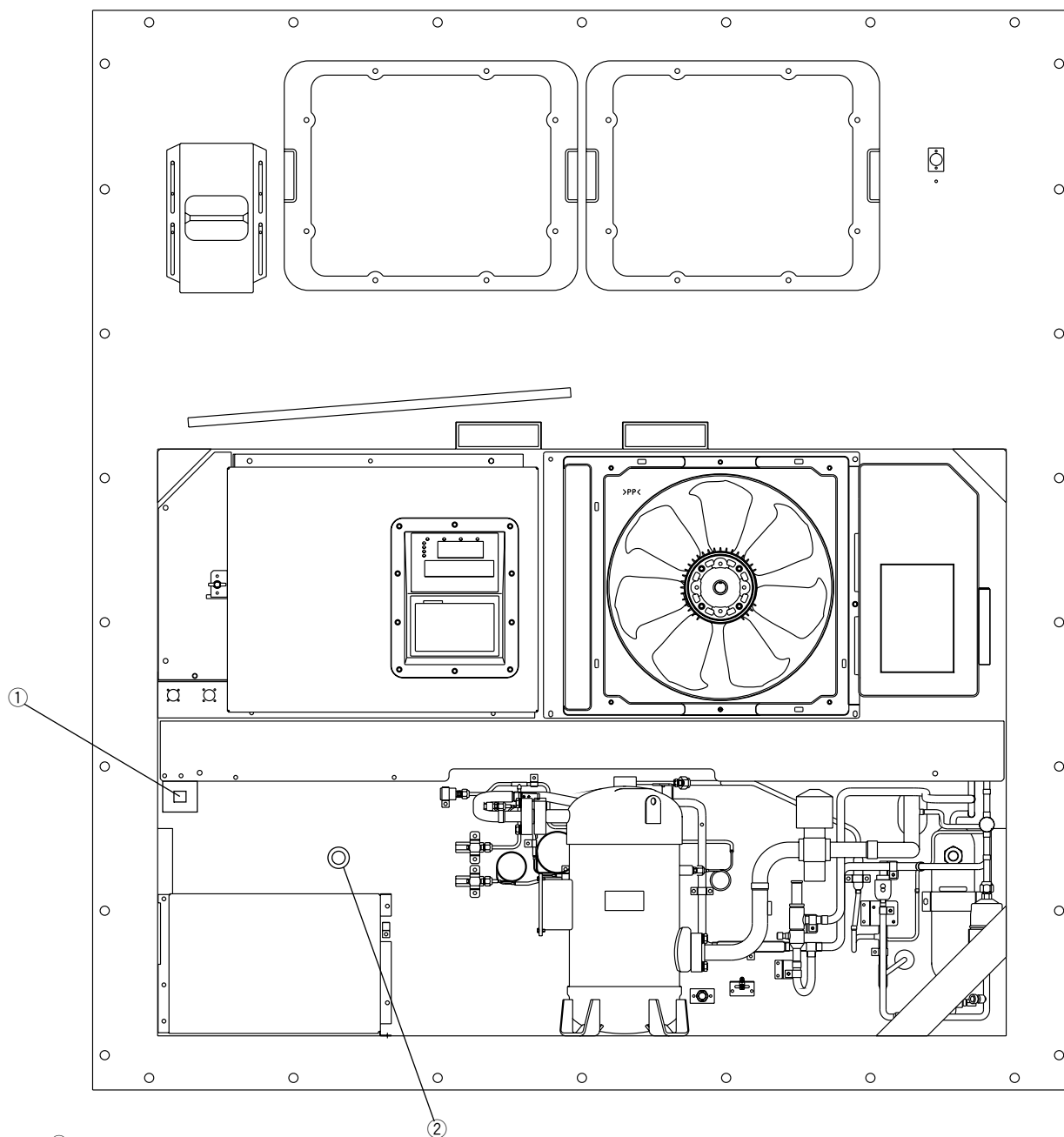


7 TransFRESH

Attachment for the TransFRESH CA devices are provided to control the internal atmosphere (quantity of O₂ and CO₂).

Use the CA devices according to the Operation Manual supplied by TransFRESH. The controller and sensor included in the CA devices are installed by the TransFRESH's agents before each transportation.

- An example of installation of CA devices, outside.



① TransFRESH COMMUNICATION BRACKET

② TransFRESH Single purge port

※A2, A3 cables (provision only) are provided.

However, terminal connections are not performed in the control box.

8 Electronic expansion valve

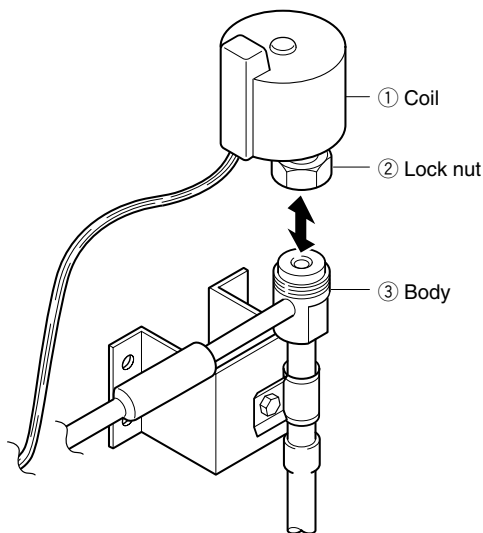
- Model Coil : EBM-MD12DM-1
Body : EDM-B804DM-1

This unit adopts an electronic expansion valve. The electronic expansion valve controls the optimum refrigerant flow rate automatically, using the temperature sensor at the evaporator inlet and outlet pipes.

In case of emergency including controller malfunctions, refer to the chapter of troubleshooting, section 6.5, Emergency operation.

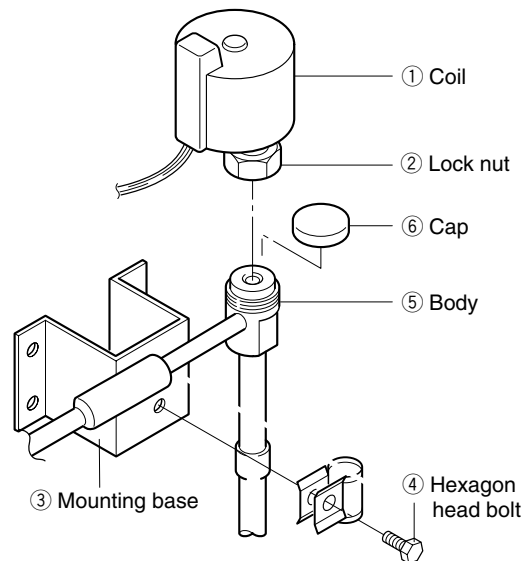
(1) Replacing the coil

- ① Loosen the lock nut, then remove the coil from the body.
- ② Install a new coil. The tightening torque for installation is 6.9 to 16.7 N · m (70 to 170 kgf · cm).
- ③ Restore the binding bands and the lead wire into the original state.
- ④ After replacing, carry out refrigerant leakage check, and make sure that there are no leaks.

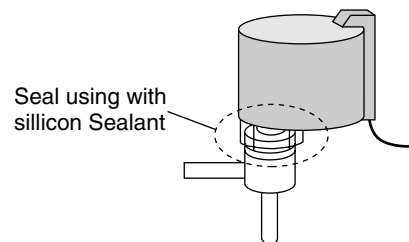


(2) Replacing the body

- ① Loosen the lock nut, then remove the coil.
- ② Remove the hexagonal head bolts, and cut the pipe on the body, then remove remaining pipes from brazing parts.
- ③ Connect a new body to the pipes. Be sure to conduct brazing work while cooling the body below 120°C (248°F) by using wet cloths.
- ④ Fix the body to the mounting base.
- ⑤ Remove the cap, and mount the coil with the tightening torque of 6.9 to 16.7 N · m (70 to 170 kgf · cm).
- ⑥ After replacing, carry out refrigerant leakage check, and make sure that there are no leaks.

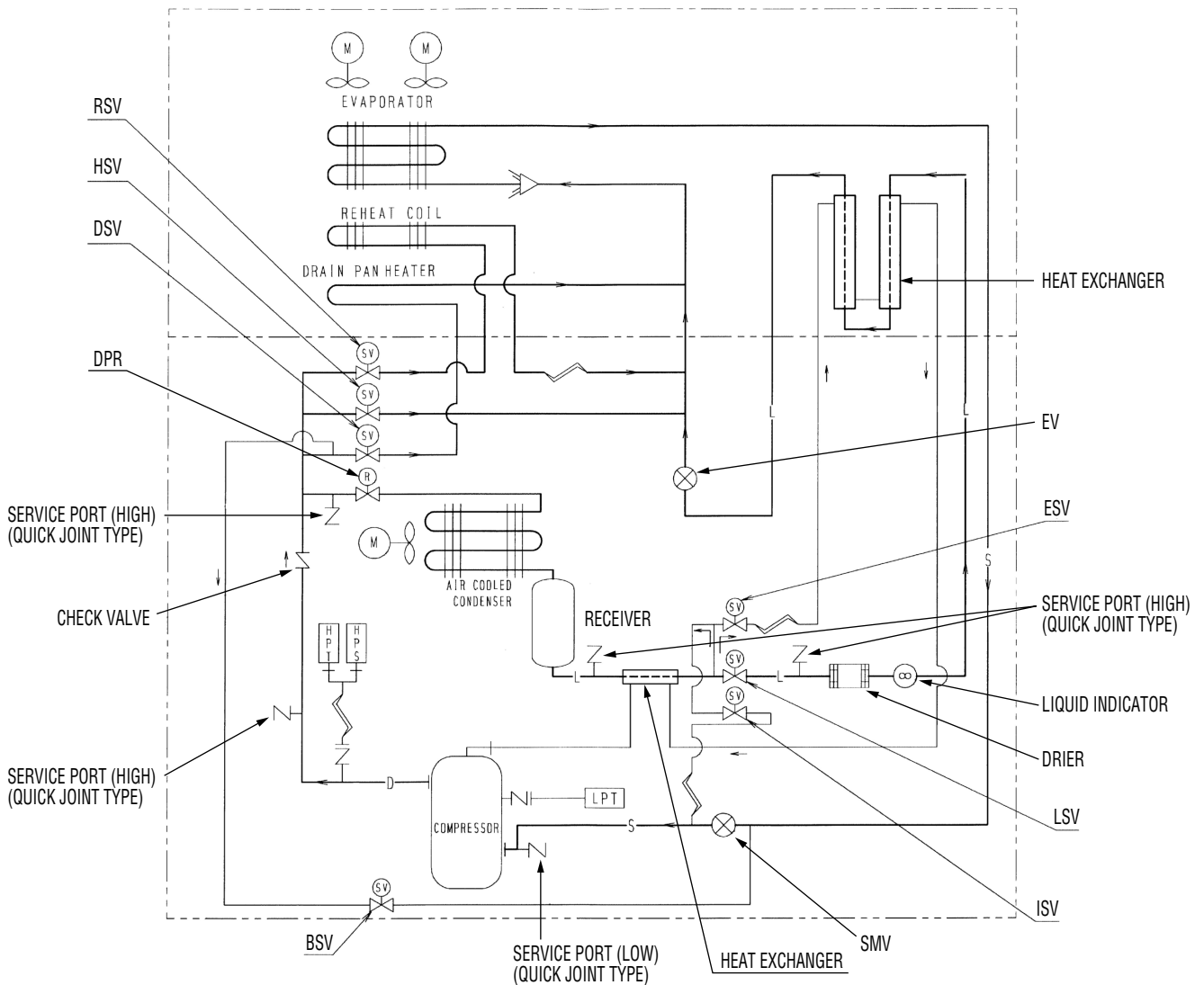


- ⑦ Apply a silicon sealant to the lock nut section.



9. APPENDIX

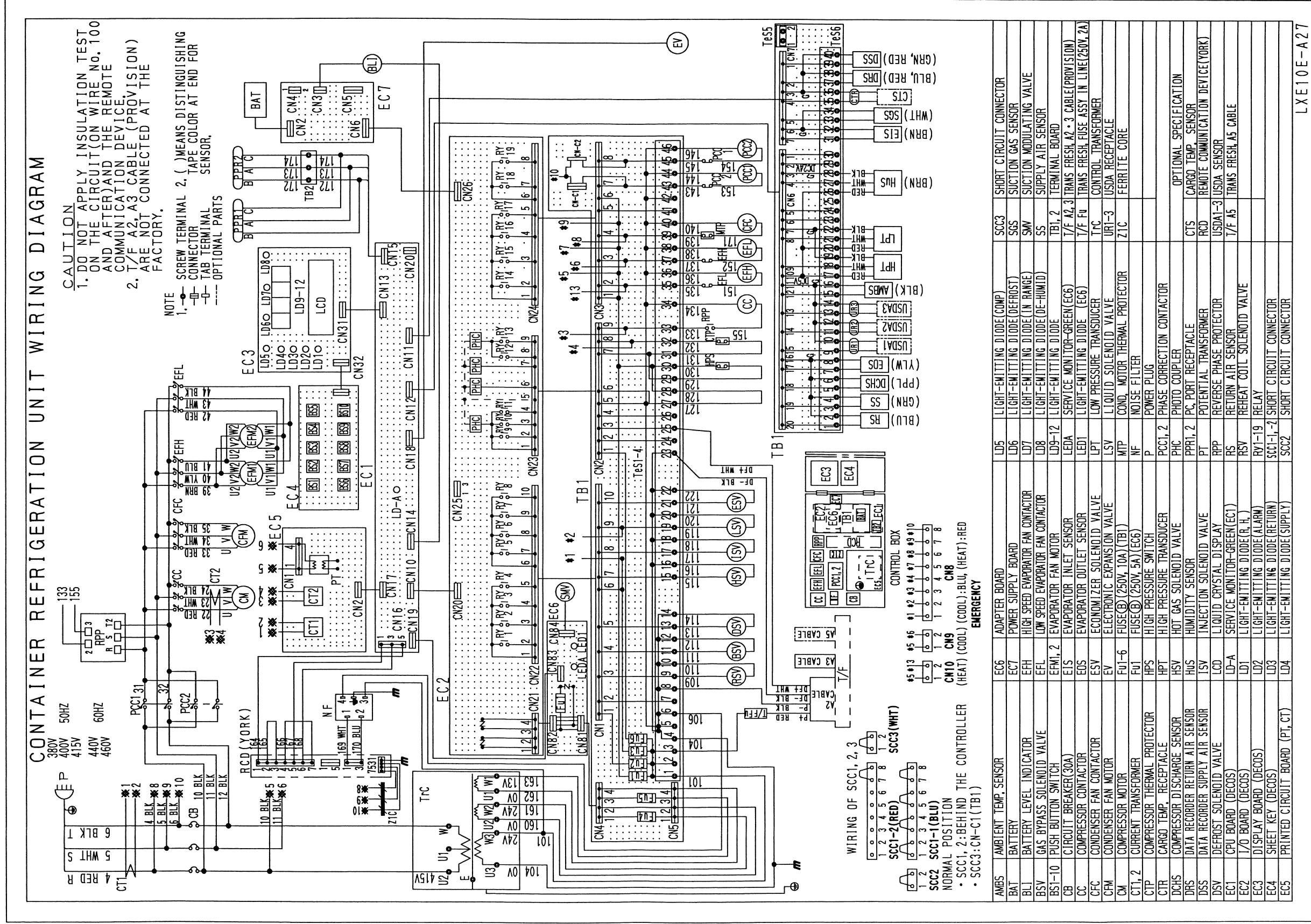
9.1 Piping diagram



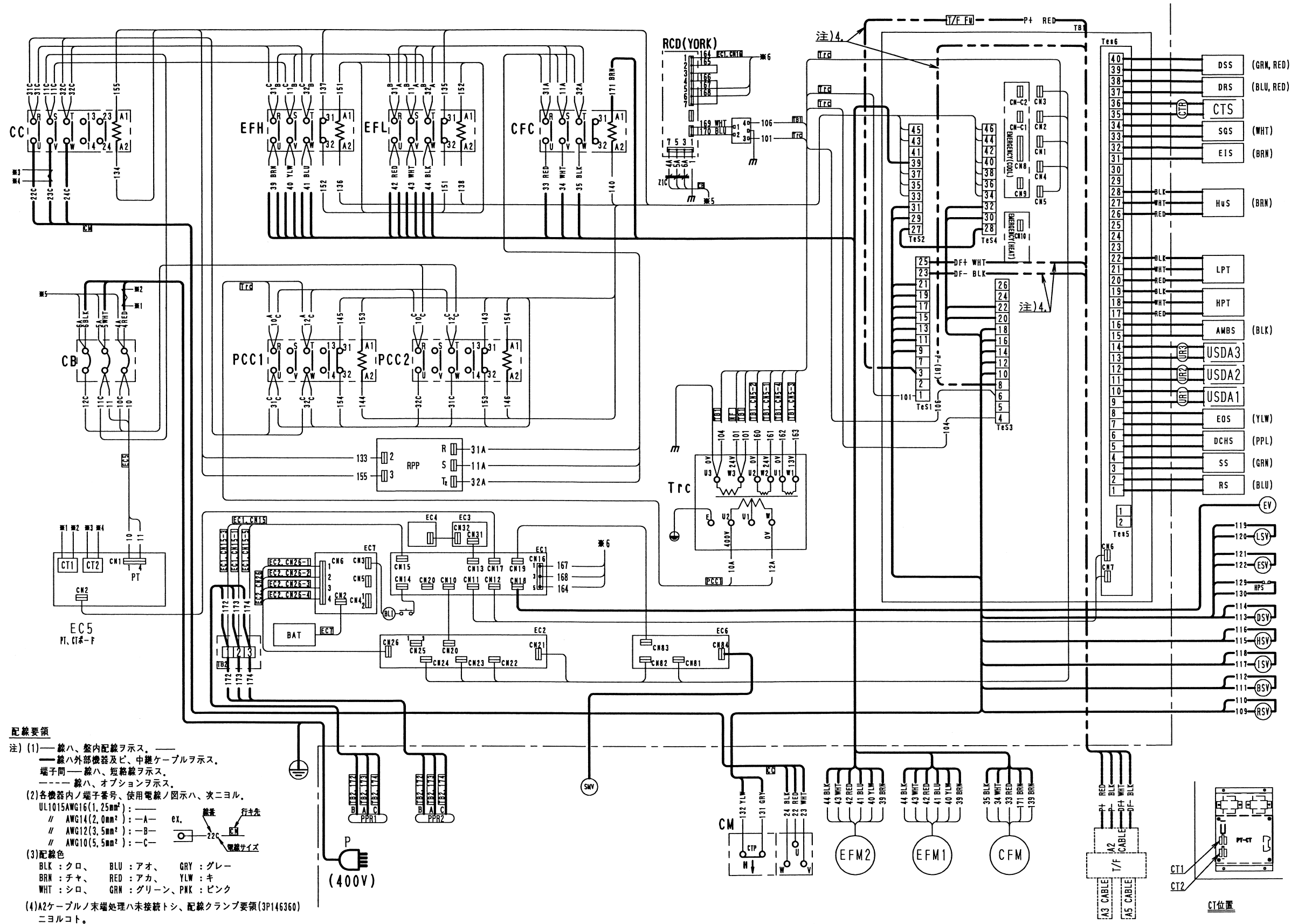
- | | | |
|-------------------------------|---|----------------------------------|
| EV:Electronic Expansion Valve | SMV:Suction Modulation Valve | DPR:Discharge pressure regulator |
| LSV:Liquid Solenoid Valve | HSV:Hot Gas Solenoid Valve | |
| DSV:Defrost Solenoid Valve | ISV:Injection Solenoid Valve | |
| ESV:Economizer Solenoid Valve | BSV:Discharge Gas Bypass Solenoid Valve | |

<https://daikin-p.ru>

9.2 Schematic wiring diagram



9.3 Stereoscopic wiring diagram



ORDERING INSTRUCTIONS

The parts list contains the parts of the DAIKIN Marine Type Container Refrigeration Units. Please read the following items before using the list.

1. When ordering the parts, be sure to specify the model No., the name of part and the type of part. When ordering the parts for which no parts NO. is shown in the PARTS NO. column, be sure to describe DWG.NO..
2. The list shows the parts only for replacement or repairing at the job site. Certain parts require a production lead time or are supplied as a set, so please contact with the nearest DAIKIN PARTS CENTRE.

3. Index symbols;

Meaning of the ranking A,B and C are as follows;

A. The most important spare parts

1. The parts whose malfunction cause fatal damage to the unit.
2. The parts with high risk of malfunction.
3. The parts that are worn out after an extended service period.

B. The important spare parts next to A, but the risk of malfunction is not so high.

C. The parts with low risk of malfunction, but recommendable to stock to cope with damage during handling of container box and long delivery time, etc.

The parts without A, B and C mark is the parts whose necessity is not so high under normal operation.

パーツリスト使用上の注意

このパーツリストはダイキン海上コンテナ冷凍装置の部品を集録してあります。パーツリスト使用にあたっては、必ず次の注意事項をご一読の上使用していただくようお願いいたします。

1. 部品のご注文の際は機種名、部品番号、および部品名、形式を必ずご指定ください。
なお、部品番号欄が空白になっている部品は、図面番号で指示願います。
2. 掲載部品の範囲は、あくまでも現地にて分解修理できるところまで記載しております。
一部部品につき納期のかかるものおよびセット単位となるものもありますので、お近くのダイキンパーツセンター又はサービスステーションに相談願います。

3. INDEXの説明

INDEXのA、B、Cの意味は下記の通りです。

A. 最も重要な部品

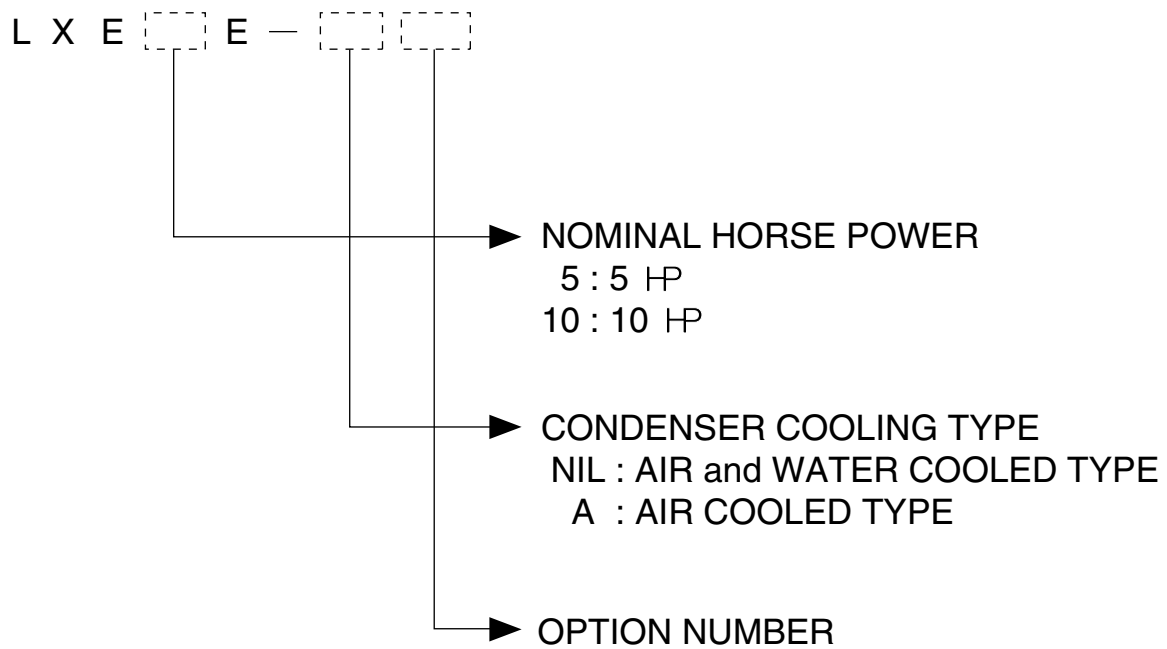
1. 故障した場合に最も重大な損害を与えると思われる部品
2. 故障の確率が高いと思われる部品
3. 長期の使用で摩耗して使用できなくなる部品

B. 故障発生の確率は高くはないが、Aについて重要な部品

C. 故障発生の確率は低いですが、コンテナボックスの運搬中の事故や、部品の納期が長期になるとと思われる等の理由で、在庫をお勧めする部品

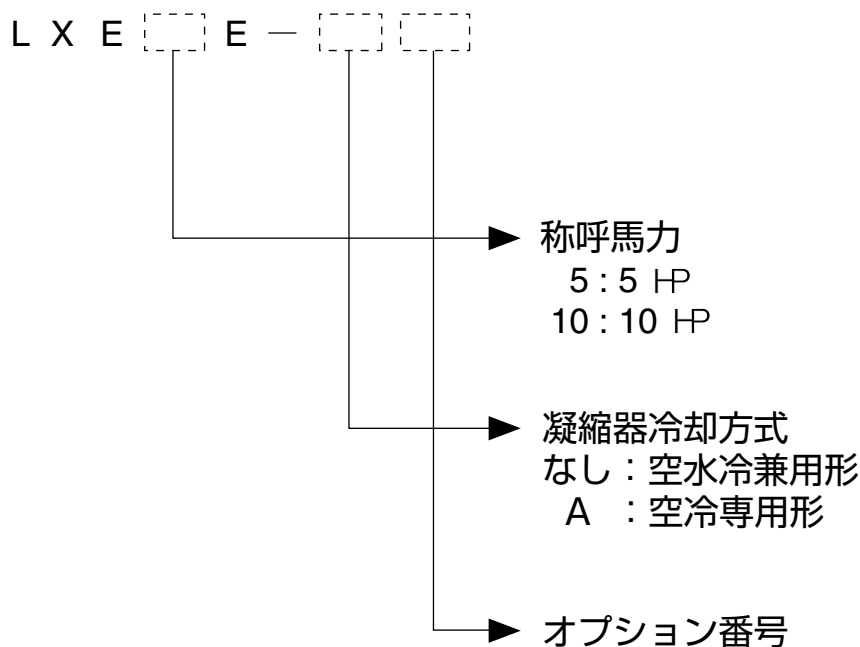
A,B,Cマークの無い部品は、通常の運転では必要性は高くない部品です。

Denomination of Model Name



Note) "R" GIVEN AFTER OPTION NUMBER STANDS FOR "REVISION" AND IT IS GIVEN FOR THE UNIT WHICH IS SPECIALLY MODIFIED.

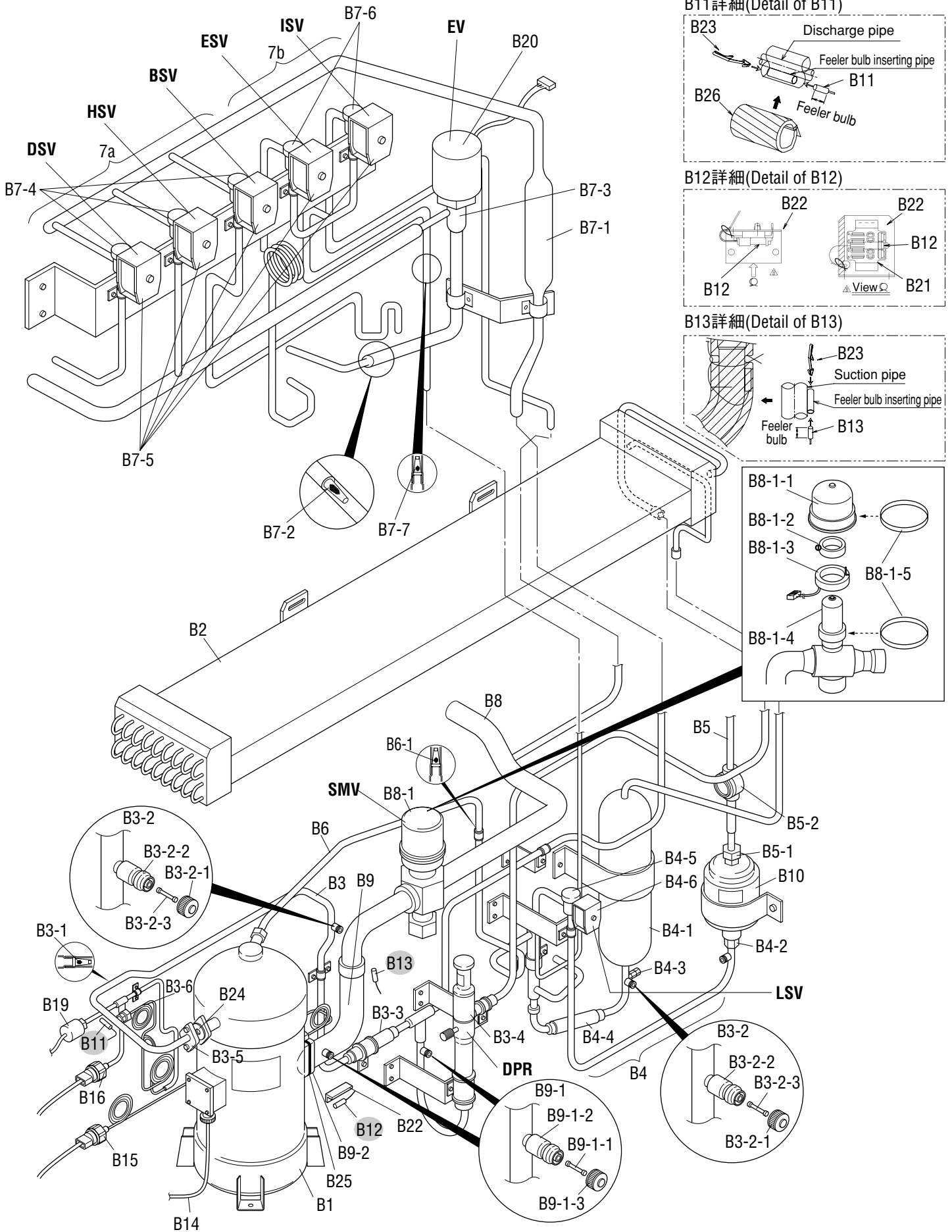
機種名について



注) オプション番号の後に R がつく機種は、改造機で、特別な仕様が加えられていることを意味します。

	Page
A. Parts related with the unit(outside)..... 庫外関連部品	24
B. Parts related with refrigerant piping(outside) 庫外冷媒配管関連部品	26
C. Parts related with the unit(inside) 庫内関連部品	30
D. Parts related with refrigerant piping(inside) 庫内冷媒配管関連部品	34
E. Other parts(Pipe clamp, sealing and insulation material etc.) その他部品 (配管固定具、シール材、防熱材等)	36
F. Control box コントローラボックス	44
G. Parts related with name plate 銘板関連	50
I. Parts related with option 1 – USDA..... オプション関連部品 1 - USDA関連	52
J. Parts related with option 2 – MODEM オプション関連部品 2 - モデム	54
K. Parts related with option 3 – Others オプション関連部品 3 - その他 1. Indoor fan guard 庫内ファンガード 2. Evaporator coil 蒸発器コイル組立品	56
L. Parts related with option 4 – TRANS – FLESH オプション関連部品 4 - トランス・フレッシュ	58
M. List of size for standard pipe clamp 配管固定具サイズ表 1. Resin clamp 樹脂バンド 2. Tube clamp 管止金 3. Cushion rubber for pipe clamp 管止金用緩衝ゴム	60
N. Notes for ordering spare parts..... 部品発注の際の注意事項 1. Parts recommended to be ordered together with packing, gasket, sealing material and name plate 発注の際にパッキングやシール材、銘板等の同時発注を推奨する部品 2. Order for motorized valve, solenoid valve and pressure regulating valve 電動弁・電磁弁・圧力調整弁の発注 3. Order for pressure transducer 圧力センサーの発注 4. Order for temperature sensor 温度センサーの発注	62
O. Measuring and adjusting tools 測定調整用工具 1. Tools for emergency operation 緊急運転用工具 2. Personal computer cable (for DCCS) パソコンケーブル(DCCS用)	67

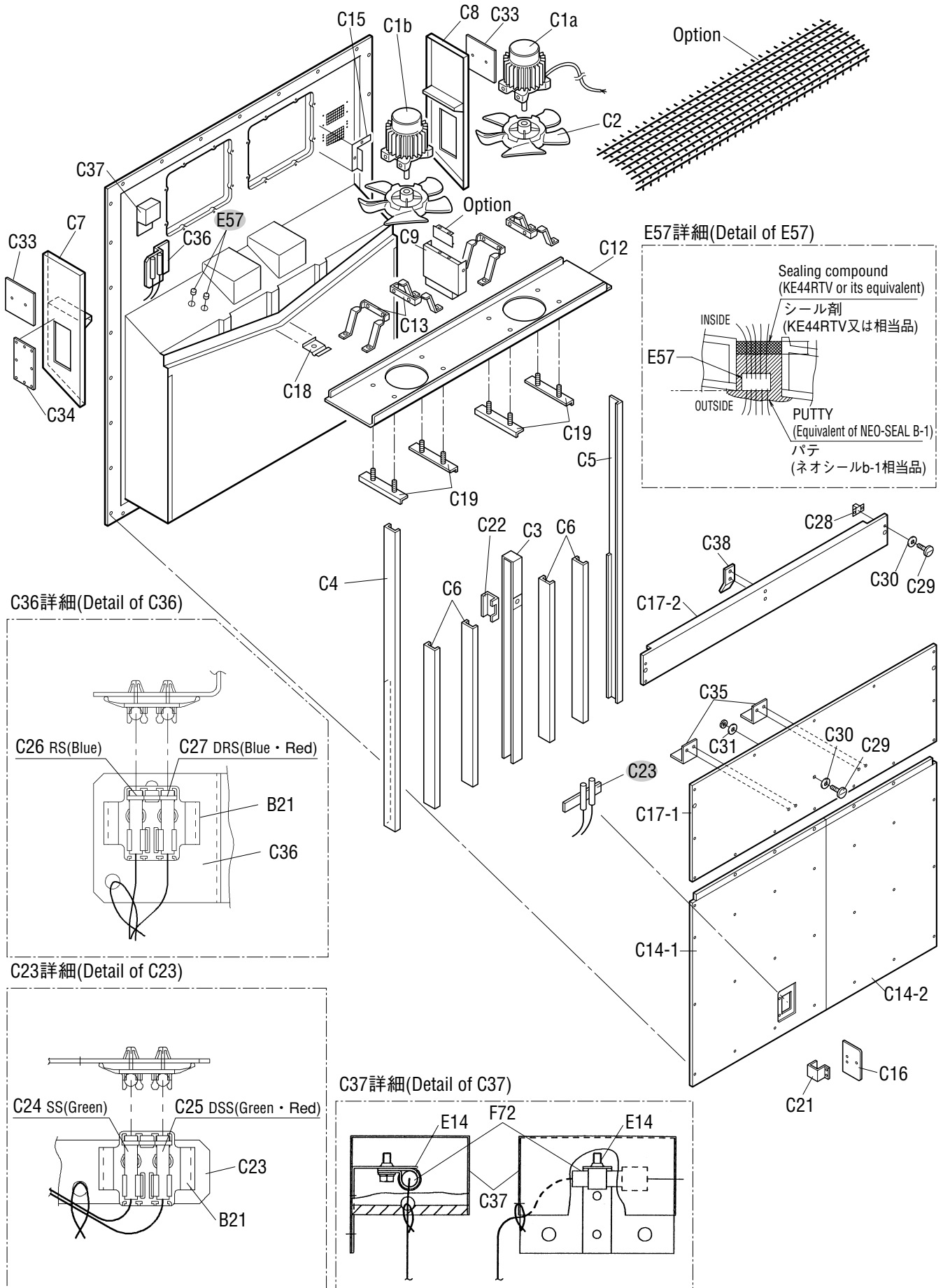
NO. 符号	INDEX	PARTS NO. 部品番号	PARTS NAME	部品名称	DWG. NO. 図面番号	TYPE SPECIFICATION 形式 仕様	QTY/UNIT		REMARKS 備考
							LXE10E-		
							A27A	A27B	
A1		1448270	Power plug(400V class)	電源プラグ (400V)	3P109727-1		1	1	
A2	A	0954936	Condenser fan motor	凝縮器電動機	3P005566-1		1	1	
A3		1632176	Propeller fan rotor	庫外プロペラロータ (日本製)	4P159494-1		1	1	
A4		1612576	Access panel(FRP)	サービス扉組立品	1P006678-5		2	2	Refer to Page62
A5		1266207	Cushion material(access panel)	クッション材 (サービス扉)	3P033608-1		2	2	Refer to Page62
A6		1196113	Sealing material(access panel)	シール材 (サービス扉)	3P001640-2		2	2	Refer to Page62
A7		1326705	Wire clamp	電線止め金	4P090422-1		1	1	
A8	C	1266199	Drain hose	ドレンホース	3P011299-1	For trap type	1	1	
A10		1266137	Fan guide stay ass'y(outside)	ファンガイドステー組立品 (庫外側)	3P027891-1		1	1	
A11		1588356	Fan guide(Outside)	ファンガイド (庫外側)	1P050906-6		1	1	
A12		1588349	Discharge grill	吹出しグリル	1PA53427-6		1	1	
A13		1369663	Mounting plate 2, cable storage	ケーブル収納部取付板2	4P006981-2		1	1	
A14		1564660	Cabel holding sheet metal	ケーブル収納部板金 (圧縮機前板:有/無共用)	3P128458-1		1	1	
A15	C	1270338	Front plate(CA)	前板 (C A)	2P061345-1		1	1	Refer to Page63
A16		1600504	C,BOX Front plate	C, B O X 前板 (左)	2P093861-5		1	1	
A17		1485527	Fixing plate	外板取付板 (1)	3P116814-1		1	1	
A18		1631940	Fixing plate	外板取付板 (2)	3P158049-1		1	1	
A19	B	1266120	Ventilation cover	換気口蓋	3P067053-1		1	1	Refer to Page63
A20		1266221	Sealing material(ventilator)	シール材 (換気口)	4P016185-1		2	2	Refer to Page63
A21		1015858	Wing nut	蝶ナット	4SK06111-5		4	4	
A22		0322096	Plain washer(Woods round type)	平座金 (木材用丸)	4SK07006-5		4	4	
A29		1496820	Protection cover(2)	温度計挿入口保護カバー (2)	4P085921-2		1	1	
A30		1584145	Protection cover(3)	温度計挿入口保護カバー (3)	4P085921-3		1	1	
A31		1266238	Hexagon head bolt	P C 六角ボルト	R4290921-125	M12X25	2	2	
A32		1386930	Latch(victor chain)	掛金 (ビクターチェーン)	4P063801-1		2	2	
A33		1266245	Tapping screw	タッピンネジ	4SK05064-8	M3 SUS304	2	2	
A34		844012S	Plain washer	平座金	4SK07005-3	M3SUS	2	2	
A35		1267084	Gasket, resin bolt	パッキン樹脂ボルト用	4PA63573-1		2	2	
A36		1600528	Front panel(right)	前板 (右)	3P083136-5		1	1	
A37		1387159	Lock nut	換気口蝶ナット用ロックナット	4P105737-1		4	4	
A38		1584152	Single purge port ass'y	シングルバージポート組立品	3P039625-1	Refer to Page28	1	1	
E13		1266788	Resin clamp	樹脂バンド	NE41015-12	MILK WHITE	6	6	
E55		1267077	Packing for prevention of vibration	C A 前板ビビリ防止パッキン	4P050050-1		2	2	



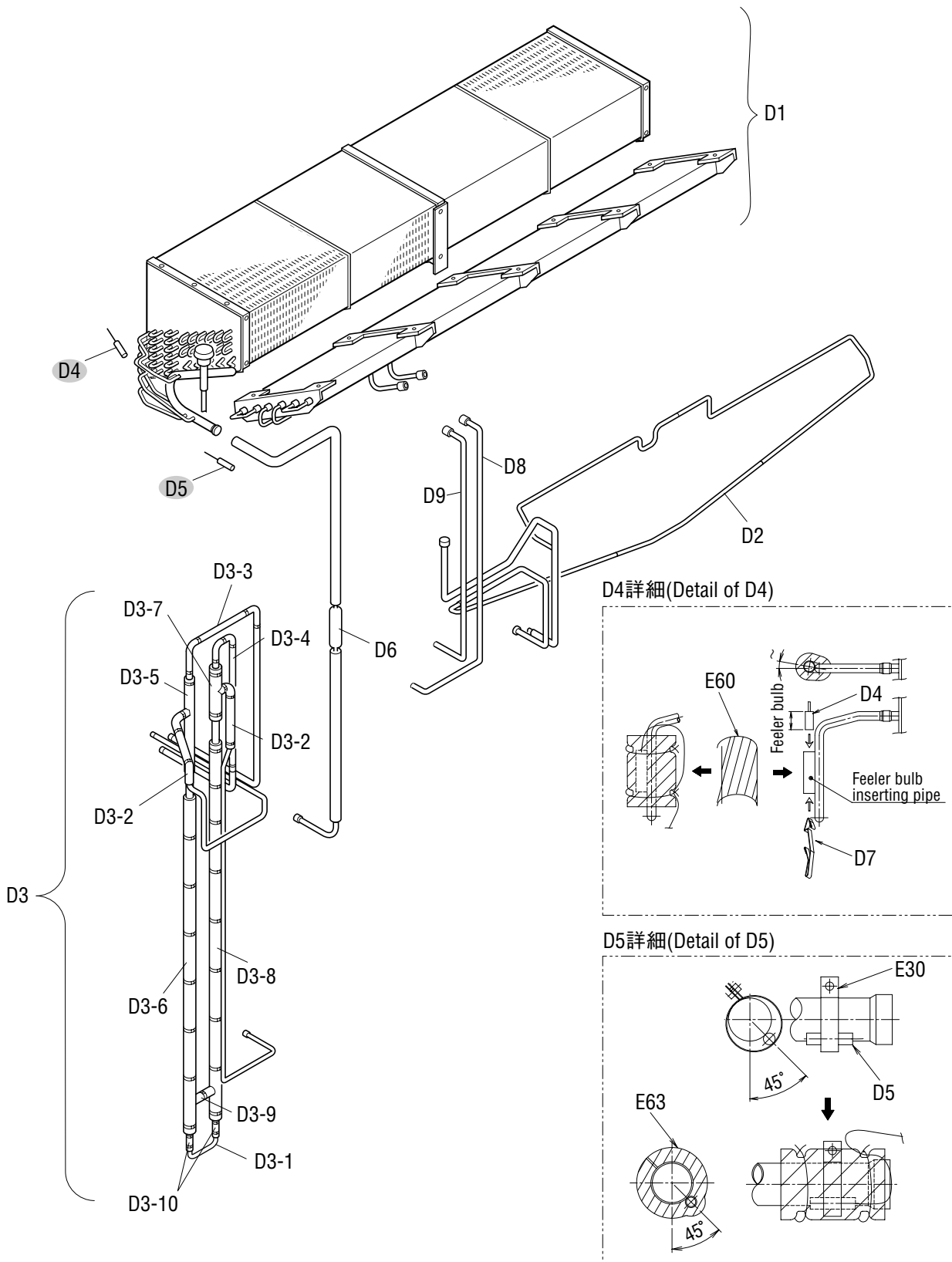
NO. 符号	INDEX	PARTS NO. 部品番号	PARTS NAME	部品名称	DWG. NO. 図面番号	TYPE SPECIFICATION 形式 仕様	QTY/UNIT		REMARKS 備考
							LXE10E-		
							A27A	A27B	
B1	A	1199415	Compressor	圧縮機	JT224D-NYR		1	1	
B2	C	1387173	Air cooled condenser	空冷凝縮器	2P089486-1	CA-LXE10E1	1	1	
B3			Discharge pipe ass'y	吐出配管組立品	2P117329-1		1	1	
B3-1	C	1199167	Strainer	ストレーナ	4P051389-1		1	1	
B3-2	C	1178920	Service valve ass'y	サービスバルブ組立品	3P048905-1		3	3	
B3-2-1	B	1175921	Service valve cap	キャップ	3P048905-1-KU		3	3	
B3-2-2	B		Service valve body	本体	3P048905-1-KA		3	3	
B3-2-3	B	1178850	Valve core	バルブコア	3P048905-1-KI		3	3	
B3-3	B	0684220	Check valve	逆止弁	3SA27008-1		1	1	
B3-4	A	1241361	Discharge pressure regulating valve	吐出圧力調整弁	3P074558-1		1	1	Refer to Page64
B3-5		1266276	Flange(convex)	吐出管フランジ (凸)	4P065933-1		1	1	
B3-6	B	292011	Gauge joint(with check valve)	逆止弁付ゲージ接手	2PF00177-1	VCG2DA	1	1	
B4		1549685	Liquid receiver ass'y	受液器組立品	2P117335-1		1	1	
B4-1		1266283	Liquid receiver	受液器レシーバ	4P081428-1	φ 90×t1.5	1	1	
B4-2		0137856	Flare nut	フレアナット	4SK23011-4	FNS4 φ 12.7	1	1	
B4-3	A	1498035	Fusible plug	可熔栓	3SA27103-1		1	1	
B4-4		0299134	Filter	フィルタ	3SA26004-2		1	1	
B4-5	A	0944566	NEV type solenoid valve body	NEV型電磁弁本体	R3305118-1	NEV-803DXF	1	1	Refer to Page64
B4-6	A	0955287	Solenoid valve coil	電磁弁コイル	3P010453-1		1	1	Refer to Page64
B5			Liquid pipe ass'y	液配管組立品	3P065985-1		1	1	
B5-1		0137856	Flare nut	フレアナット	4SK23011-4	FNS4 φ 12.7	1	1	
B5-2	A	0622107	Liquid moisture indicator	モイスターインジケーター	3PA51270-3	SGN12S	1	1	
B6			Injection tube ass'y	インジェクション管組立品	3P093305-1		1	1	
B6-1	C	0085296	Strainer	ストレーナ (100メッシュ)	R4697892		1	1	
B7a			Expansion valve pipe ass'y	膨張弁配管組立品 (P&O)	2P148605-1		1	1	
B7-1		1505748	Filter	フィルタ	3P011071-1		1	1	
B7-2	C	1490846	Strainer	ストレーナ	4P051958-1		1	1	
B7-3	A	1256495	Electronic expansion valve body ass'y	電子膨張弁本体組立品	2SA50010-2-KU		1	1	Refer to Page64
B7-4	A	0944566	NEV type solenoid valve body	NEV型電磁弁本体	R3305118-1	NEV-803DXF	4	4	Refer to Page64
B7-5	A	1266290	Solenoid valve coil	電磁弁コイル	3P010453-2		4	4	Refer to Page64
B7b			ISV,ESV pipe ass'y	ISV・ESV配管組立品 (標準・P&O)	2P148527-1		1	1	
B7-5	A	1266290	Solenoid valve coil	電磁弁コイル	3P010453-2		2	2	Refer to Page64
B7-6	A	0088738	Nev type solenoid valve body	NEV型電磁弁本体	R3305099-1-KI	NEV-202DXF	2	2	Refer to Page64
B7-7	C	0964166	Strainer	ストレーナ	4P012568-1		1	1	Refer to Page64
B8		1496781	Suction pipe ass'y(inside)	吸入配管組立品 (庫内)	3P071569-2		1	1	
B8-1	A	1254538	Suction modulating valve ass'y	吸入比例弁組立品	2P078385-1		1	1	Refer to Page64
B8-1-1		1270376	Upper cover, suction modulating valve	吸入比例弁カバー上	2P078385-1-KA		1	1	
B8-1-2		1496914	Clamp, suction modulating valve	吸入比例弁クランプ	2P078385-1-KI		1	1	
B8-1-3		1270390	Coil, suction modulating valve	吸入比例弁コイル	2P078385-1-KU		1	1	
B8-1-4		1270408	Body, suction modulating valve	吸入比例弁本体	2P078385-1-KE		1	1	

• When ordering the parts whose No. are not shown in the PARTS NO. column, be sure to describe DWG. NO..

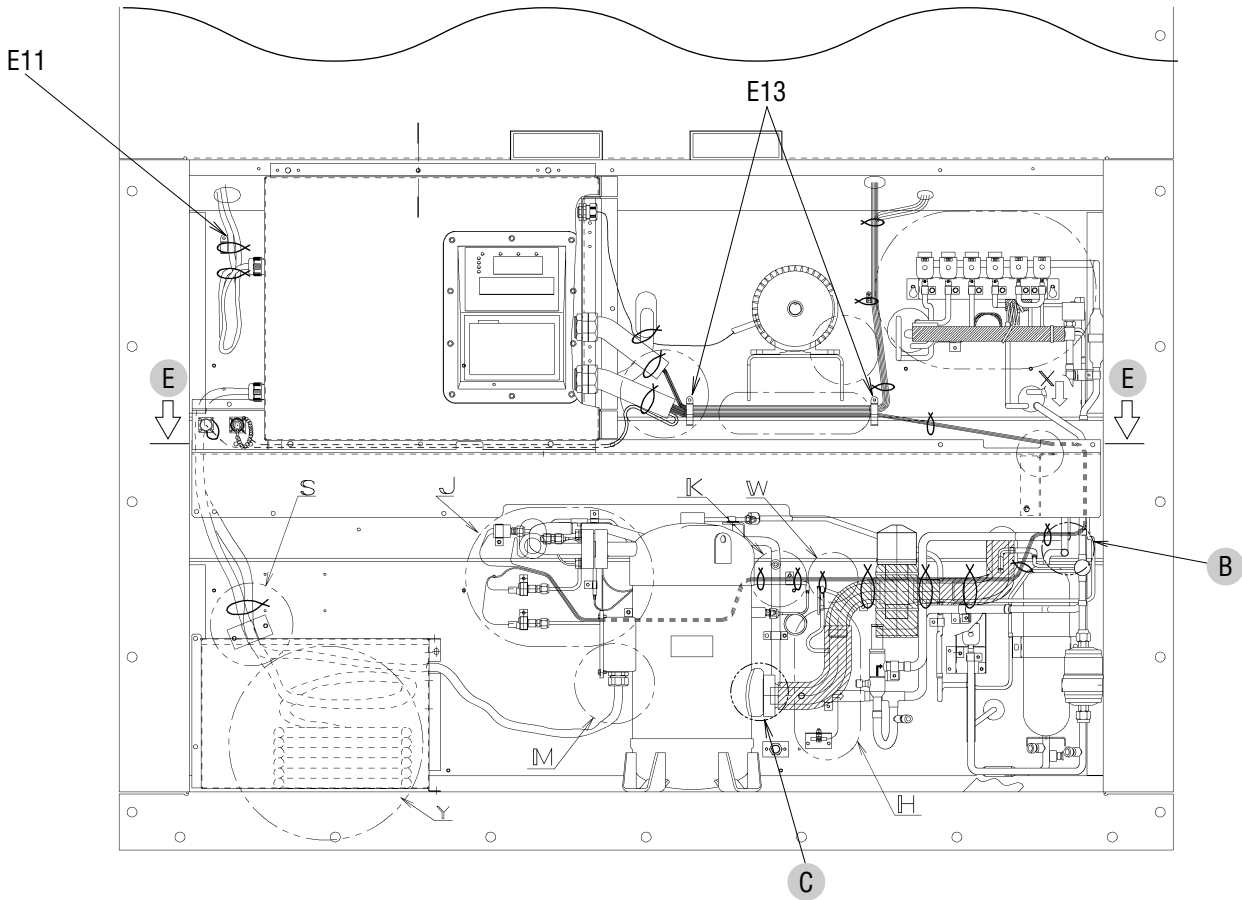
• 部品番号欄が空白になっている部品は、図面番号で、指示願います。



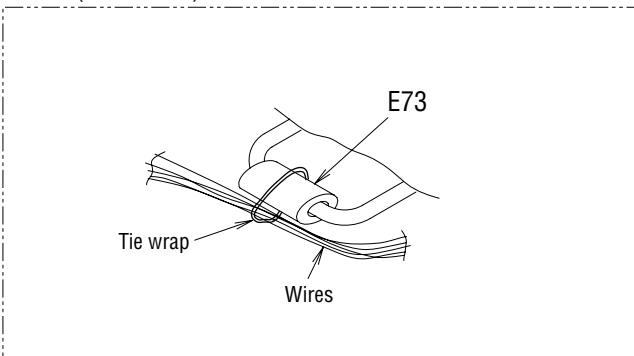
NO. 符号	INDEX	PARTS NO. 部品番号	PARTS NAME	部品名称	DWG. NO. 図面番号	TYPE SPECIFICATION 形式 仕様	QTY/UNIT		REMARKS 備考
							LXE10E-		
							A27A	A27B	
C1a	A	0955333	Three phase AC fan motor	三相交流ファン電動機	3PA07524-4		1	1	
C1b	A	0955340	Three phase AC fan motor	三相交流ファン電動機	3PA07524-5	SPRK91A-42	1	1	
C2		1632152	Propeller fan rotor	庫内プロペラロータ (日本製)	4P159475-1		2	2	
C3		1410958	Center stay	中央ステー	3P094853-1		1	1	
C4		1266360	Side stay	サイドステー	3P061281-1	t2.5	1	1	
C5		1509531	Side stay(2)	サイドステー (2)	3P105384-1		1	1	
C6		1584176	Rear stay	背面ステー (レヒート)	3P103621-2		4	4	
C7		1584183	Plate finned coil frame plate	蒸発器枠 (3)	2P094765-3		1	1	
C8		1380754	Plate finned coil frame plate	蒸発器枠 (2)	2P094765-2		1	1	
C9		1494134	Fan guide fixing plate	ファンガイド固定板	3P105378-1		1	1	
C12		1584190	Fan guide ass'y	ファンガイド組立品(レヒート・キャリブ・P&O・T/F)	3P123264-4		1	1	
C13		1565199	Set plate, fan motor	電動機取付脚	3P144888-1		4	4	
C14-1		1622434	Rear plate(lower/left)	裏板 (下/左)	2P144516-1		1	1	
C14-2		1622441	Rear plate(lower/right)	裏板 (下/右)	2P144517-1		1	1	
C15		1266555	Air reflection plate	風向板	4P055257-1		1	1	
C16		1622458	Supply sensor inspection door	サブライセンサ点検蓋	4P148634-1		1	1	
C17-1		1622465	Rear plate(middle)	裏板 (中)	2P144515-1		1	1	
C17-2		1622472	Rear plate(upper)	裏板 (上)	2P144514-1		1	1	
C18		1266485	Partition plate(drain outlet)	仕切板 (ドレン出口)	4P011317-1		1	1	
C19		1135978	Reinforce plate, fan motor	補強板 (ファン電動機台)	4P011316-1		4	4	
C21		1135125	Hinge	蝶番	3P043374-1		1	1	
C22		1266524	Support plate	支柱補強柱	4P061342-1		1	1	
C23		1605466	Mounting plate	サブライセンサ取付板	4P144433-1		1	1	
C24	A	1375310	Sensor(SS)	センサー (S S)	3PA61769-11		1	1	Refer to Page66
C25	A	1375327	Sensor(DSS)	センサー (D S S)	3PA61769-12		1	1	Refer to Page66
C26	A	1375334	Sensor(RS)	センサー (R S)	3PA61769-13		1	1	Refer to Page66
C27	A	1375341	Sensor(DRS)	センサー (D R S)	3PA61769-14		1	1	Refer to Page66
C28		860015	Universal nut	自在ナット	R4713188-1		9	9	
C28		860015	Universal nut	自在ナット	R4713188-1		7	7	
C29		860030S	Speed bolt	スピードボルト (M6)	4P048680-2	M6X29(S)	18	18	
C30		860005	Washer, speed bolt	スピードボルト用座金	R4713334		2	2	
C31		840002	Drop out prevention washer	脱落防止座金	R4718607-6		2	2	
C33		1560024	Bypass protection plate	バイパス防止板	4P120521-1		2	2	
C34		1380848	Cover	カバー	3P090387-1		1	1	
C35		1496976	Rear plate(middle) fixture	裏板 (中) 固定具	4P105391-1		2	2	
C36		1622489	Return sensor mounting plate	リターンセンサ取付板	4P144429-1		1	1	
C37		1380862	RH sensor mounting plate	R Hセンサ固定板	4P000182-1		1	1	
C38		1496983	Fixing plate, rear plate(upper)	裏板 (上) 固定具	4P105390-1		1	1	
B21		1605244	Thermistor fixing plate, Resin	サーミスタ固定具	3P124175-1		2	2	
E14		0508162	Resin clamp	樹脂バンド	NE41015-3		1	1	



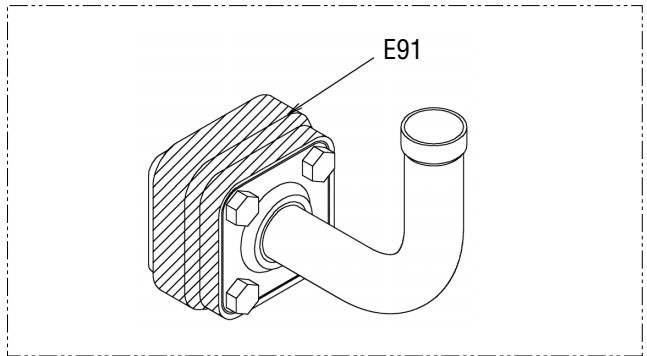
Other parts(Pipe clamp, sealing and insulation material etc.)
 その他部品 (配管固定具、シール材、防熱材等)



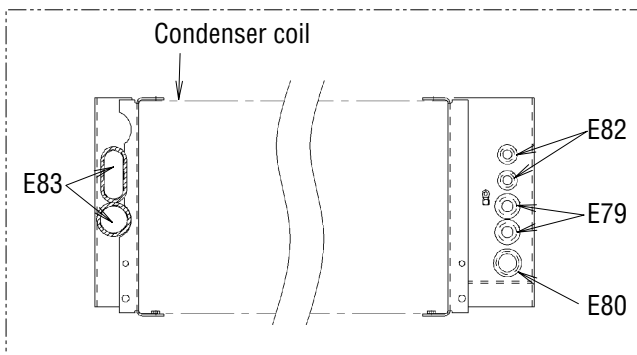
B詳細(Detail of B)



C詳細(Detail of C)



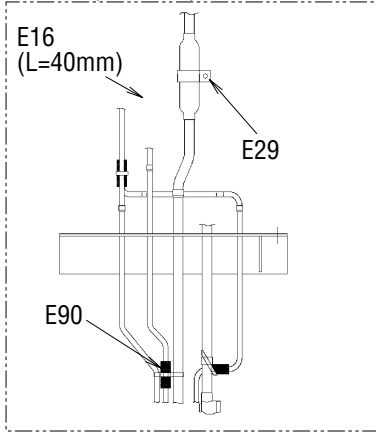
E断面(Section of E)



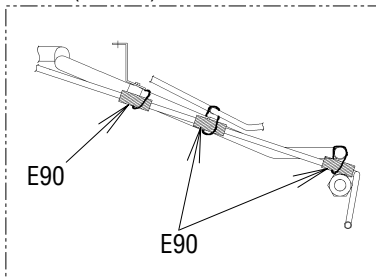
※(L = XX mm) indicates the length of cushion rubber E35.(Cut to suit pipe size.)

※(L = XX mm)と表記のものは、緩衝ゴム(E35)の長さです。(配管のサイズに合わせて切って使用ください。)

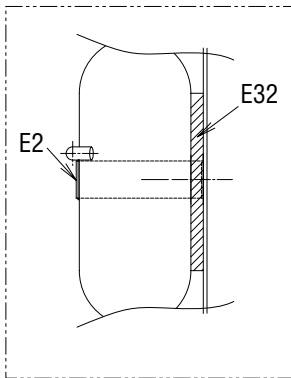
矢視A/B(View A/B)



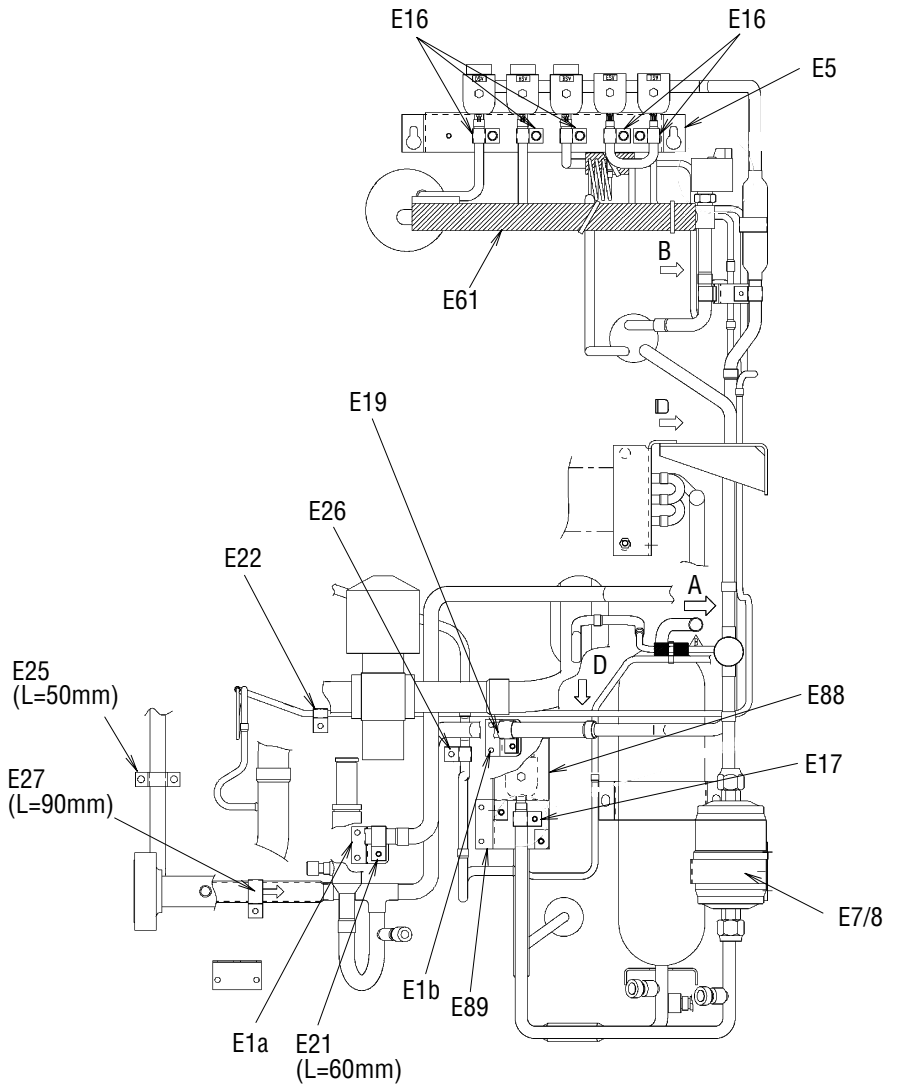
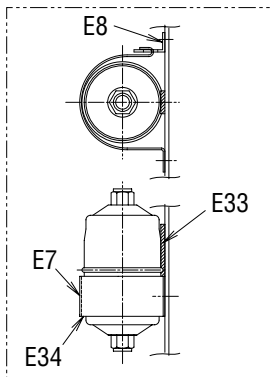
矢視D(View D)



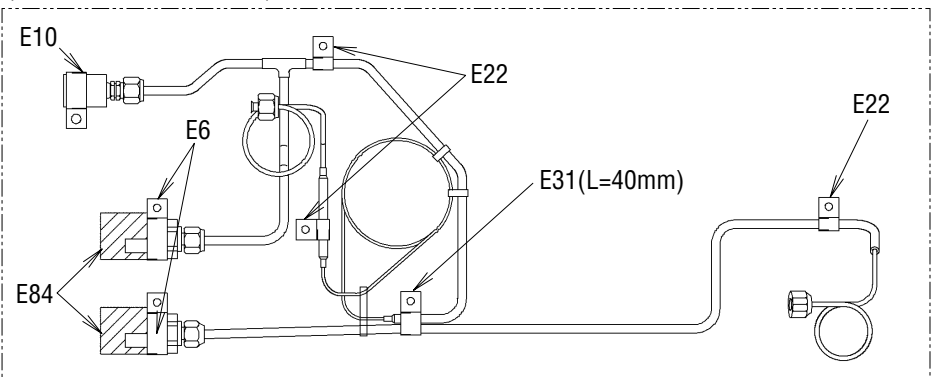
受液機器部詳細
(Receiver part detail)



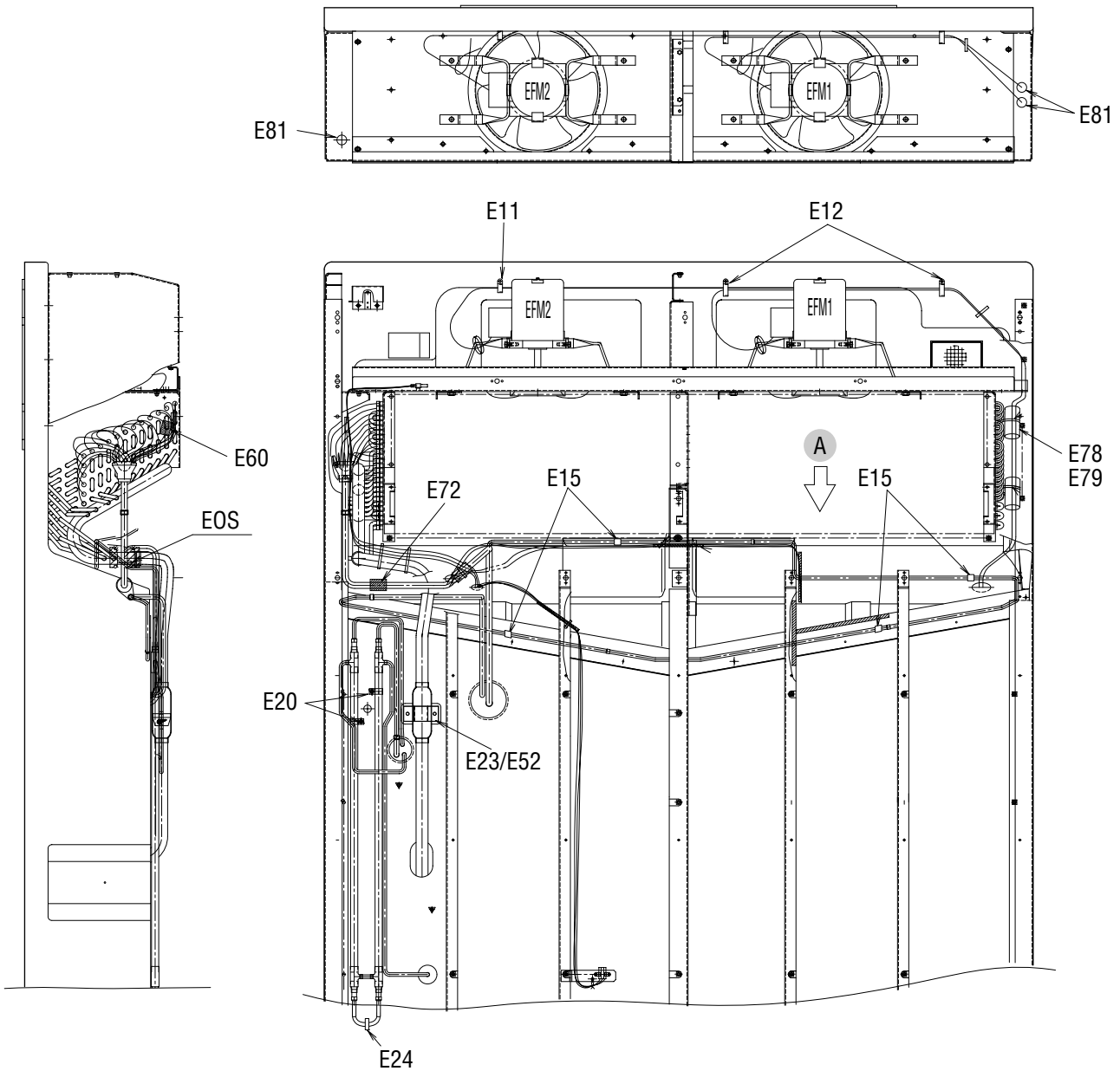
ドライヤー部詳細
(Dryer part detail)



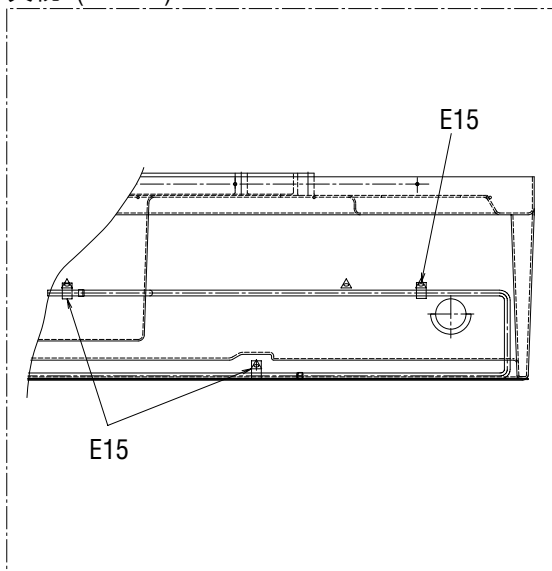
圧力センサー配管部詳細
(Pressure transducer detail)

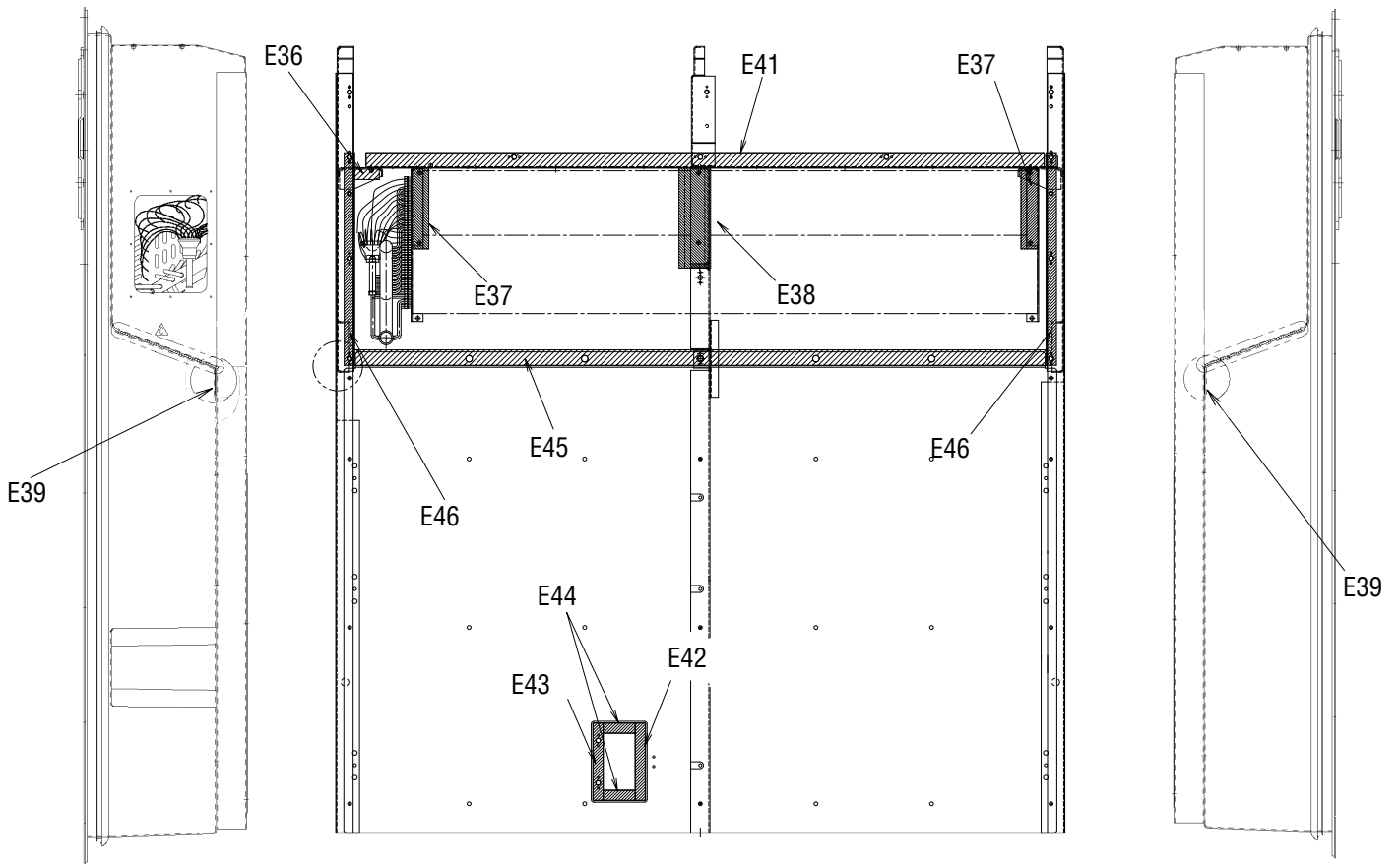
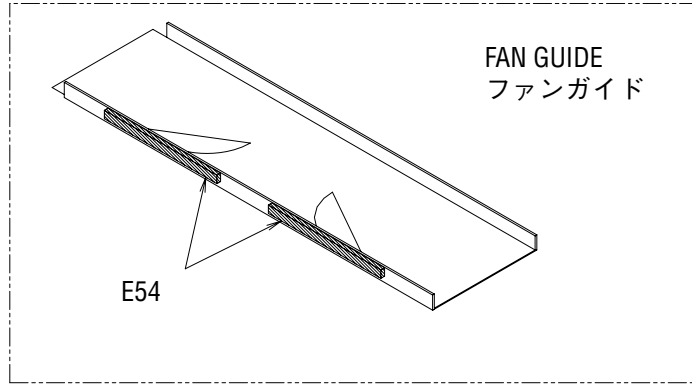


Other parts(Pipe clamp, sealing and insulation material etc.)
その他部品 (配管固定具、シール材、防熱材等)

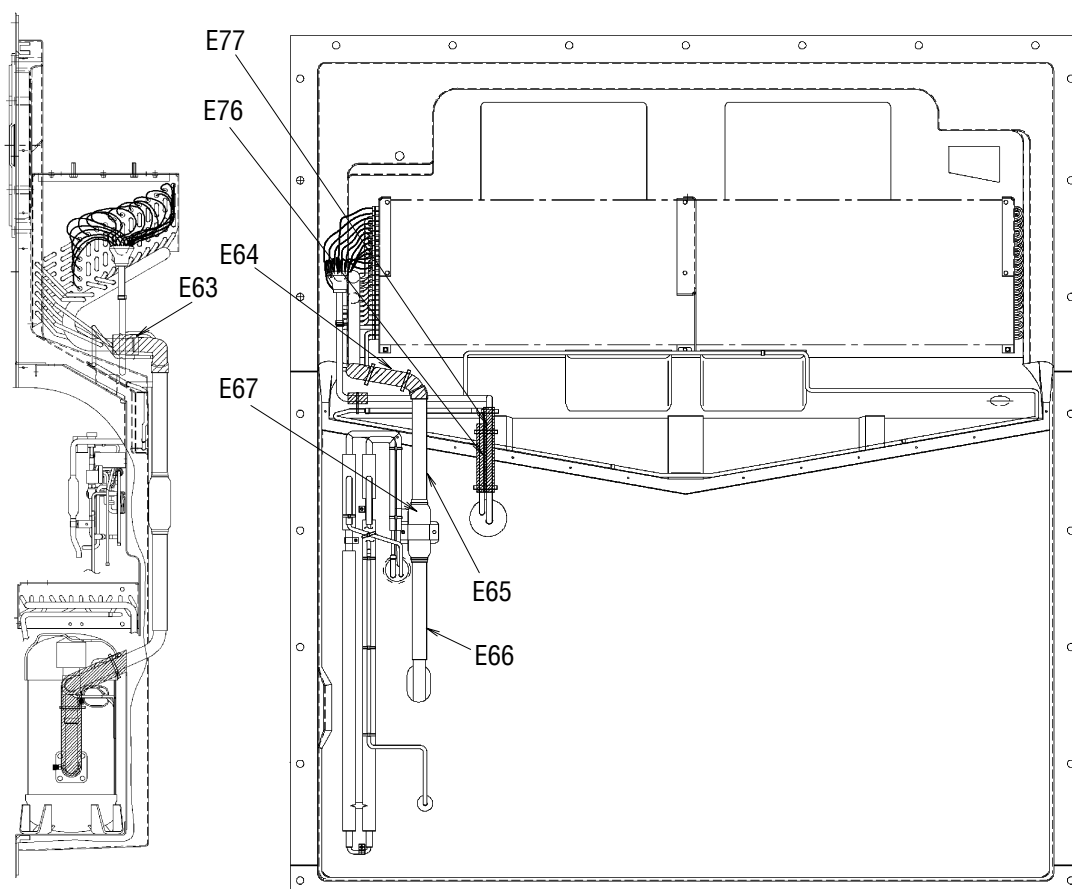
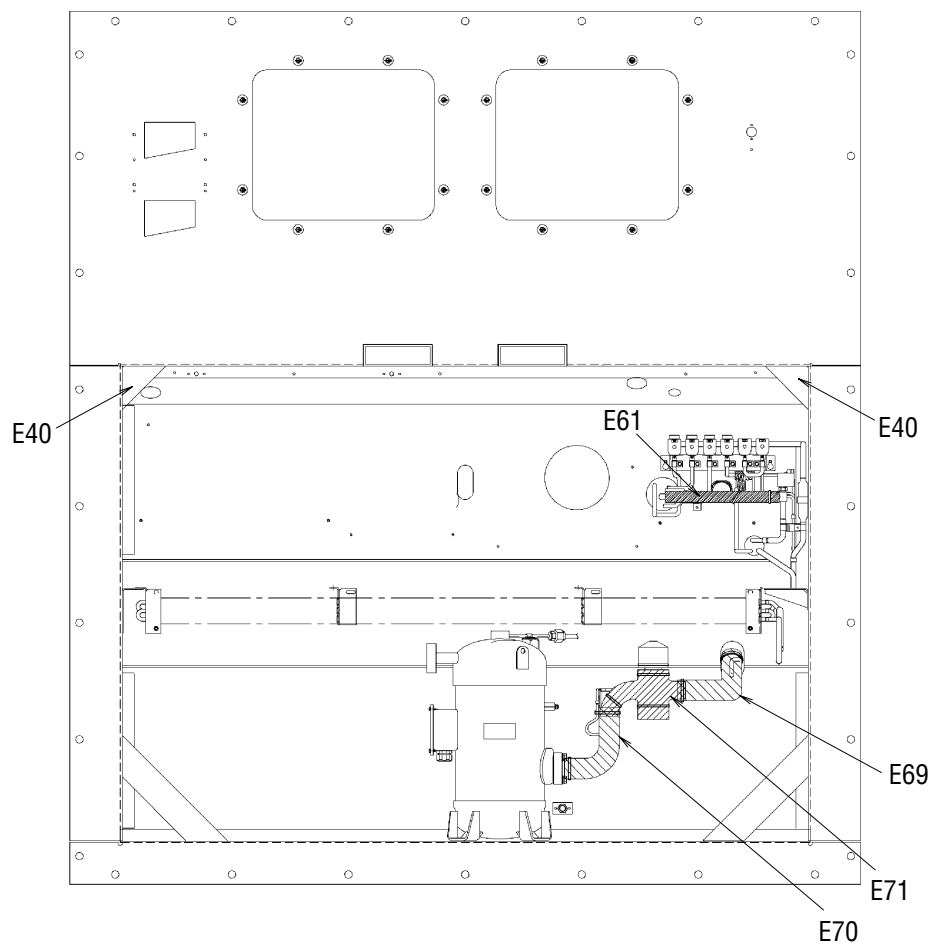


矢視A(VIEW A)





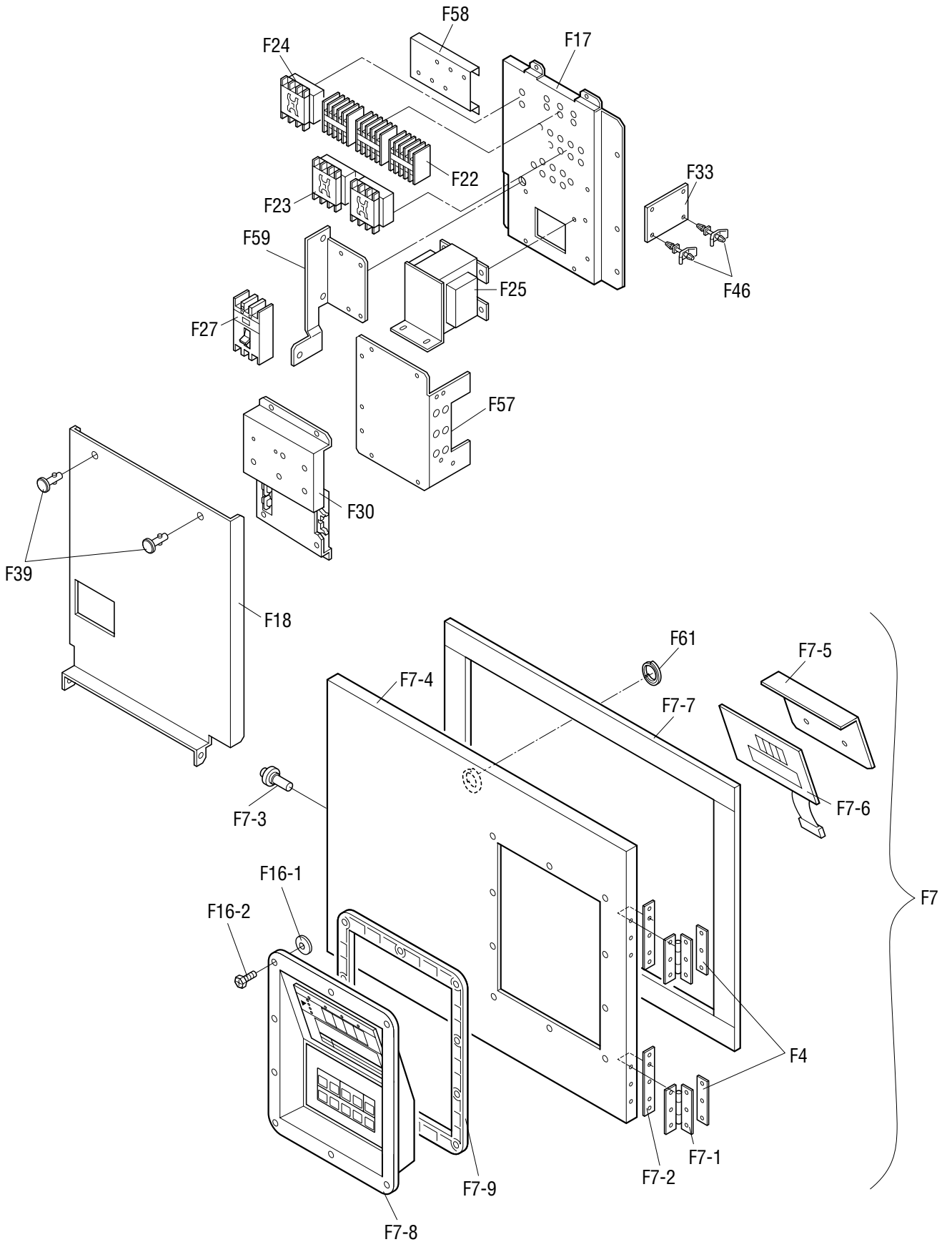
Other parts(Pipe clamp, sealing and insulation material etc.)
その他部品 (配管固定具、シーリング材、防熱材等)

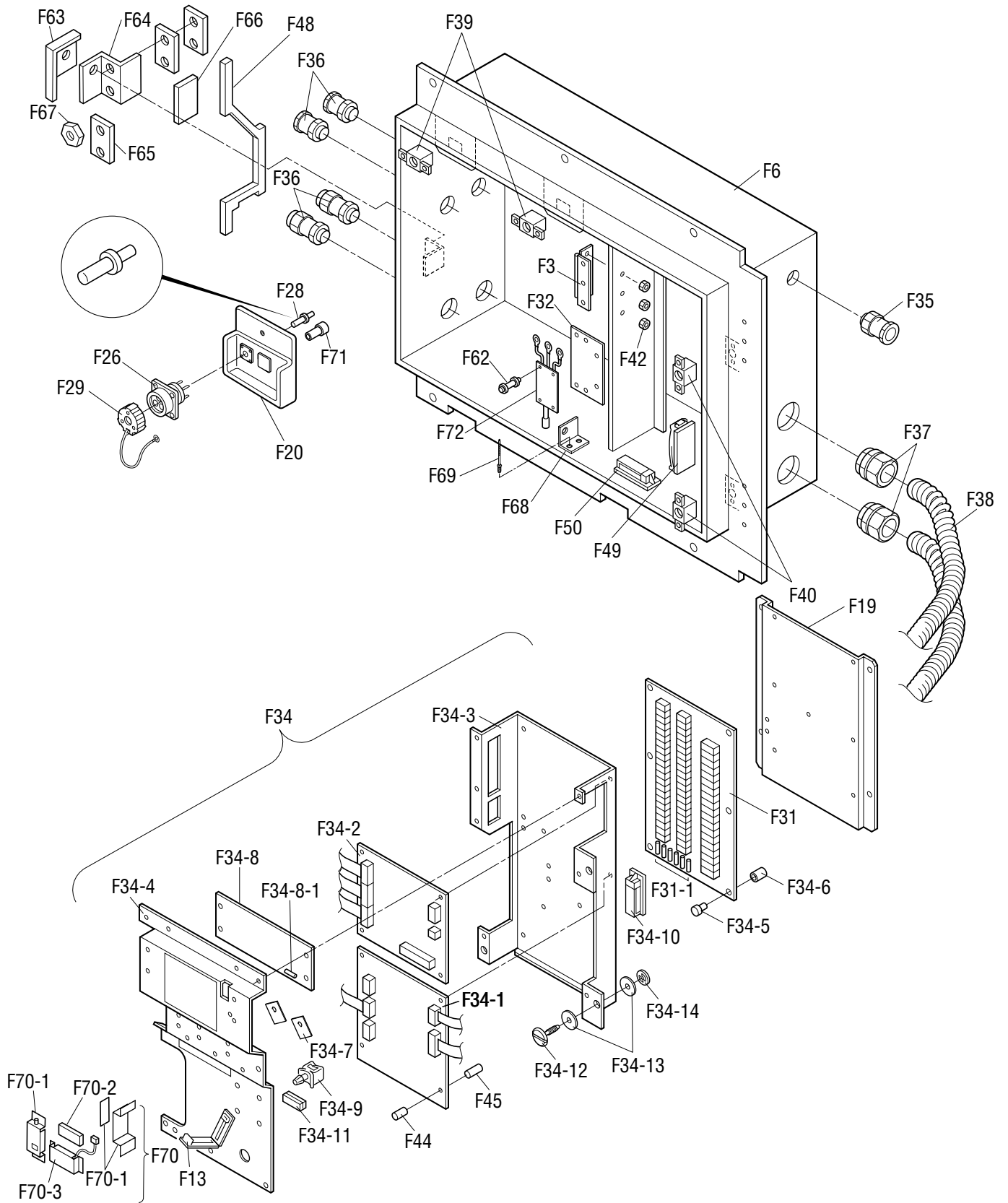


NO. 符号	INDEX	PARTS NO. 部品番号	PARTS NAME	部品名称	DWG. NO. 図面番号	TYPE SPECIFICATION 形式 仕様	QTY/UNIT		REMARKS 備考
							LXE10E-		
							A27A	A27B	
E1a		1266694	Set plate, discharge pipe	吐出配管取付板	4P079462-1		1	1	Page37
E1b		1485938	Mounting plate	吐出配管取付板 (2)	4P117351-1		1	1	Page37
E2		1266702	Fixture plate, receiver	レシーバー固定具	4P011318-2	t1.5	1	1	Page37
E4		1612590	Pipe fixing plate	配管取付板組立品	4P148503-1		1	1	
E5		1605477	Set plate, HSV・DSV・BSV・RSV	HSV・DSV・BSV・RSV取付板組立品	4P148770-1		1	1	Page37
E6		1270439	Tube clamp	管止め金	NE31016-58		2	2	Page37
E7		1266764	Fitting band, dryer	ドライヤー取付バンド	4PA51194-1		1	1	Page37
E8		1266771	Set plate, dryer	取付板 (ドライヤ)	4P076788-1	t2.0	1	1	Page37
E10		1222764	Resin clamp	樹脂バンド	NE41015-9	MILK WHITE	1	1	Page37
E11		0944528	Resin clamp	樹脂バンド	NE41015-7	MILK WHITE	2	2	Page36,38
E12		0142492	Resin clamp	樹脂バンド	NE41015-10	MILK WHITE	2	2	Page38
E13		1266788	Resin clamp	樹脂バンド	NE41015-12	MILK WHITE	6	6	Page36
E14		0508162	Resin clamp	樹脂バンド	NE41015-3		1	1	Page30
E15		0782775	Tube clamp	管止め金	NE31016-51		5	5	Page38
E16		1584215	Nylon coating tube clamp	ナイロンコーティング管止め金	4P143802-51		2	2	Page37
E17		1584208	Nylon coating tube clamp	ナイロンコーティング管止め金	4P143802-52		1	1	Page37
E19		1584222	Nylon coating tube clamp	ナイロンコーティング管止め金	4P143802-54		1	1	Page37
E20		1386992	Tube clamp, double tube heat exch	二重管熱交換管止め金	4P103281-56		2	2	Page38
E21		0016290	Tube clamp	管止め金	NE31016-56		1	1	Page37
E22		1584239	Nylon coating tube holder	ナイロンコーティング管止め金	4P143802-71		4	4	Page37
E23		1266827	Fixing plate, filter	フィルタ固定具	4P071794-1	t1.5	1	1	Page38
E24		1386985	Tube clamp, double tube heat exch	二重管熱交換管止め金	4P103281-51		1	1	Page38
E25		1266841	Tube clamp	管止め金 (2)	4P005817-2		1	1	Page37
E26		1584215	Nylon coating tube clamp	ナイロンコーティング管止め金	4P143802-51		2	2	Page37
E27		1266858	Tube clamp	管止め金	NE31016-59		1	1	Page37
E29		1584246	Nylon coating tube clamp	ナイロンコーティング管止め金	4P143802-59		1	1	Page37
E30		537320	Hose band	ホースバンド	R4716528-3		2	2	Page34
E31		1380970	Hot gas tube clamp	ホットガス管止め金	4PA43040-1		1	1	Page37
E32		1266889	Cushion rubber, pipe clamp	緩衝ゴム (管止用)	4P064896-1	t1.0	1	1	Page37
E33		1266896	Seal packing	シールパッキン	4P011314-1		1	1	Page37
E34		1270446	Dryer cushion rubber	ドライヤ緩衝ゴム	4PA53083-2		1	1	Page37
E35		1584253	Cushion rubber	緩衝ゴム	NE41013-3-300		1	1	
E36		1386947	Sealing material, evaporator frame	蒸発器受枠 (1) シール材	4P090149-1		1	1	Page39
E37		1266935	Packing(for evaporator)	パッキン (蒸発器)	4P063465-1		2	2	Page39
E38		1266942	Packing(for evaporator)	パッキン (蒸発器)	4P063465-2		1	1	Page39
E39		1381036	Packing	パッキン	4P095033-1		2	2	Page39
E40		1177369	Cushion rubber	仕切用ゴム	4P026657-1	t2.0	2	2	Page40
E41		1386954	Packing, fan guide	ファンガイドパッキン	3P090183-1		1	1	Page39
E42		1266973	Sealing material(patch plate2)	シール材 (当板2)	4P068964-1	t5.0	1	1	Page39
E43		1381043	Sealing materialL(patch plate3)	シール材 (当板3)	4P095038-1		1	1	Page39

Other parts(Pipe clamp, sealing and insulation material etc.)
 その他部品 (配管固定具、シール材、防熱材等)

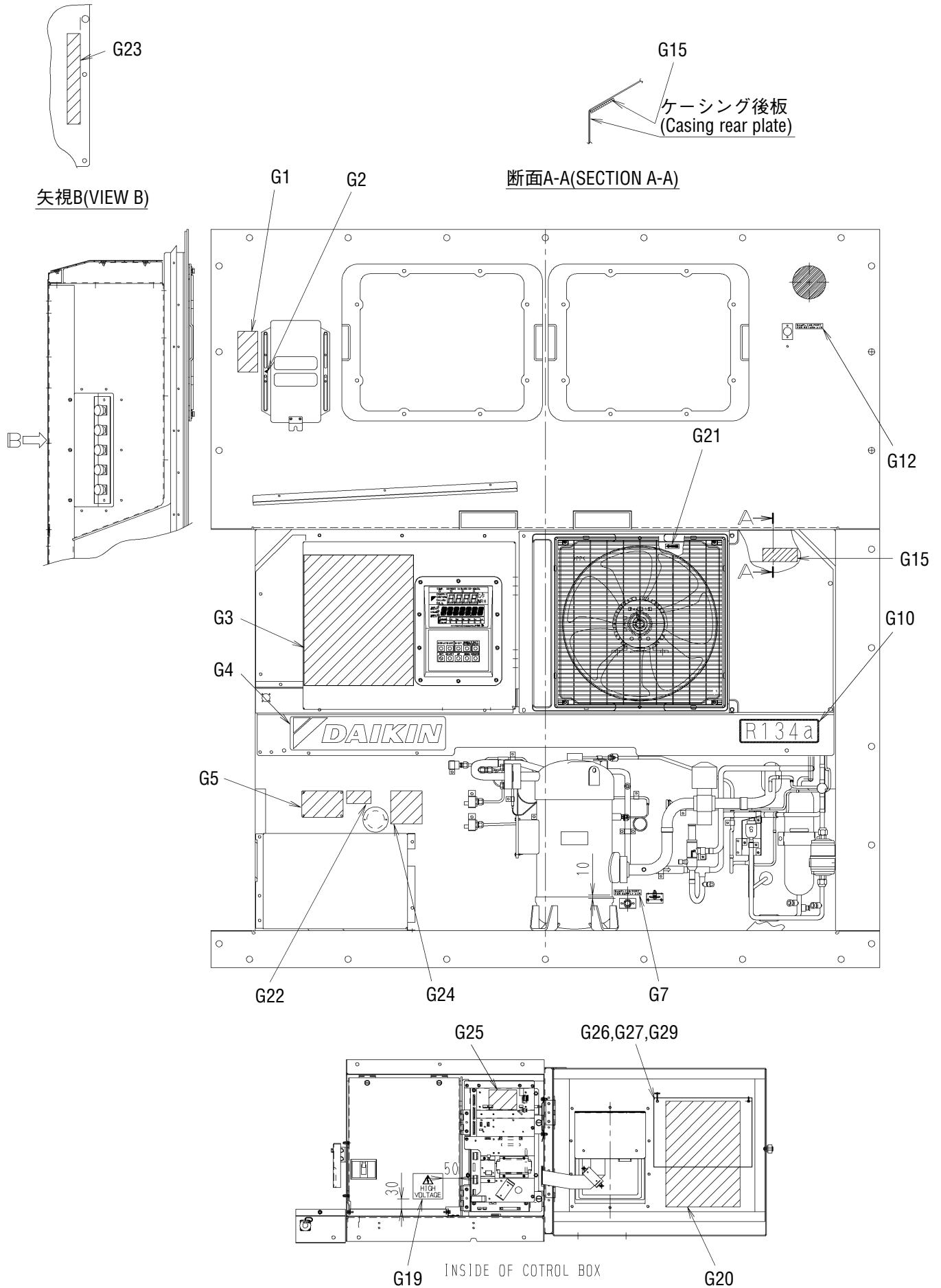
NO. 符号	INDEX	PARTS NO. 部品番号	PARTS NAME 部品名称	DWG. NO. 図面番号	TYPE SPECIFICATION 形式 仕様	QTY/UNIT		REMARKS 備考	
						LXE10E-			
						A27A	A27B		
E44		1266997	Sealing material(patch plate1)	シール材 (当板 1)	4P068968-1	t5.0	2	2	Page39
E45		1267008	Sealing packing	シールパッキン	3P011293-1		1	1	Page39
E46		1267015	Packing(side stay)	パッキン (サイドステー)	4P074127-1	BLACK	2	2	Page39
E52		1584260	Cushion rubber	緩衝ゴム	NE41013-4-230		1	1	Page38
E54		1267060	Packing for prevention of air bypass	バイパス防止用パッキン	4P011733-1		2	2	Page39
E55		1267077	Packing for prevention of vibration	C A 前板ビビリ防止パッキン	4P050050-1		2	2	Page24
E57		1267091	Wiring protection bush	配線保護ブッシュ	4P023920-1	BLACK	2	2	Page30
E60		1267123	Thermal insulation tube piping	断熱筒配管緩衝材	4P011309-1		3	3	Page37,38
E61		1605460	Insulation tube EV outlet pipe	膨張弁出口配管防露筒	4P148629-1		1	1	Page37,40
E63		1267154	Insulation tube, evaporater header	蒸発器ヘッダー防露筒	4P073525-1		1	1	Page40
E64		1267161	Cushion material suction pipe(1)	吸入配管緩衝材 (1)	3P073468-1		1	1	Page40
E65		1267178	Cushion material suction pipe(2)	吸入配管緩衝材 (2)	3P073468-2		1	1	Page40
E66		1267224	Cushion material suction pipe(3)	吸入配管緩衝材 (3)	3P073468-3		1	1	Page40
E67		1584378	Suction pipe	吸入配管断熱材	4P140007-1		1	1	Page40
E69		1267255	Thermal insulation tube	断熱筒 (吸入弁庫外側)	4P081186-1		1	1	Page40
E70		1267262	Thermal insulation tube	断熱筒 (圧縮機根元・吸入弁)	4P081187-1		1	1	Page40
E71		1448371	Suction solenoid valve insulator	吸入比例弁防熱材 (1)	2P079441-1		1	1	Page40
E72		1267286	Thermal insulation tube	断熱筒配管緩衝材	4P011309-3		1	1	Page38
E73		1267293	Thermal insulation tube	断熱筒配管緩衝材	4P011309-4		2	2	Page36
E76		1267325	Thermal insulation tube(drain outlet)	断熱筒 (ドレン入口管防露筒)	4P067126-1		1	1	Page40
E77		1485921	Thermal insulation tube	熱交入口管防露筒	4P117089-1		1	1	Page40
E78		1267349	Tube cushion material	配管緩衝材	4PA50427-1		1	1	Page38
E79		1278921	Heat protection tie wrap	耐熱用タイラップ	4SA90202-1		3	3	Page36,38
E80		1267356	Rubber bush	ゴムブッシュ	R3713279-4		1	1	Page36
E81		0024640	Rubber bush	ゴムブッシュ	R3713279-3		3	3	Page38
E82		1267370	Rubber bush	ゴムブッシュ	R3713279-2		2	2	Page36
E83		1267387	U-packing	U字形パッキン	NA40014-4-500	L=500	1	1	Page36
E84	B	1605509	Heat shrinkable tube	熱収縮チューブ	4P151322-1		2	2	Page37
E86	B	1270453	Heat shrinkable tube	熱収縮チューブ	4P075241-1		1	1	
E87	B	1497070	Thermal insulation tape, no-dry	不乾性形断熱テープ	3SA90101-3-KA		3	3	
E88		1494925	LSV cover	液電磁弁カバー	4P093386-1		1	1	Page37
E89		1270484	Mounting plate, solenoid valve	取付板	4P082208-1		1	1	Page37
E90		1381012	Protection rubber	保護ゴム	4PA43128-1		7	7	Page37
E91		1448388	Suction flange	吸入フランジシール材	4P083248-1		1	1	Page36

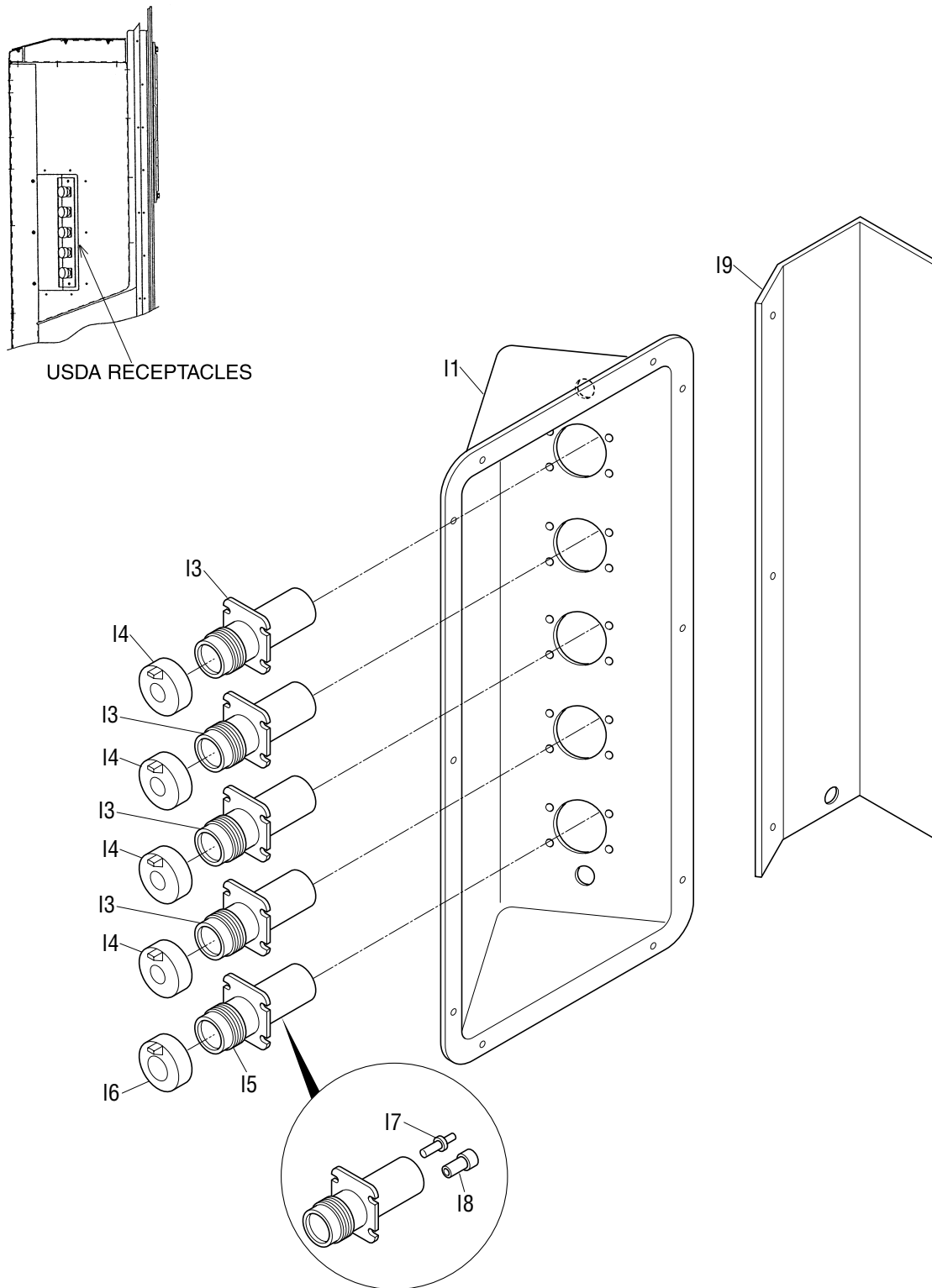


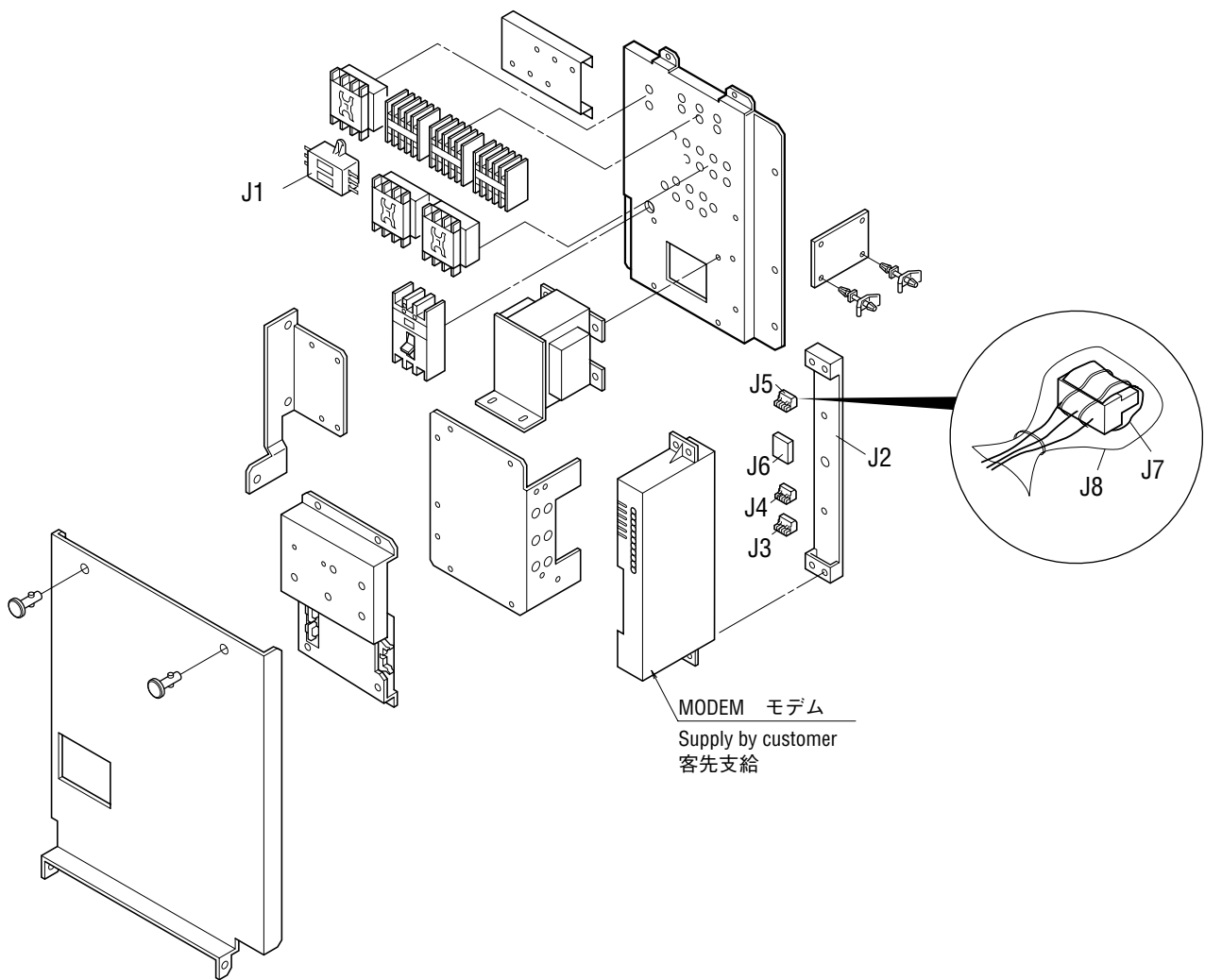


NO. 符号	INDEX	PARTS NO. 部品番号	PARTS NAME	部品名称	DWG. NO. 図面番号	TYPE SPECIFICATION 形式 仕様	QTY/UNIT		REMARKS 備考
							LXE10E-		
							A27A	A27B	
F3		1136407	Hinge(recorder/box cover)	平蝶番 (レコーダボックス蓋)	4P021346-1		2	2	
F4		1136414	Patch plate nut	当板ナット	4P044898-2		2	2	
F6		1622496	C.BOX welding ass'y	コントロールボックス溶接組立品	2P098553-4		1	1	
F7	C	1600636	C.BOX cover ass'y	コントロールボックス蓋組立品	2P147871-6		1	1	Refer to Page62
F7-1		1136407	Hinge(recorder/box cover)	平蝶番 (レコーダボックス蓋)	4P021346-1		2	2	
F7-2		1136414	Patch plate nut	当板ナット	4P044898-2		2	2	
F7-3		0907093	Roller, quick lock lever	ワンタッチ金具用ローラ	4PA51277-1		1	1	
F7-4		1587841	C.BOX cover welding ass'y	コントロールボックス蓋溶接組立品	3P085038-5		1	1	
F7-5		1267457	Operation display cover	操作表示カバー	3P078251-1	t1.0	1	1	
F7-6	A	1010815	Display board	表示基板	2P010368-2		1	1	
F7-7		1381081	Rubber gasket	ゴムガスケット (C. BOX蓋用パッキン)	4P085198-1		1	1	
F7-8	A	1295553	Control panel(with sheet key)	コントロールパネル (シートキー付)	3P085319-1		1	1	
F7-9		1128949	Packing	パッキン (樹脂パネル)	3P030317-1		1	1	
F13		1136539	Clamp	クランプ金具	4P015574-2		1	1	
F16-1		0907062	Seal washer	シール座金 (ボンテッド座金)	4PA21941-5		10	10	
F16-2		1267488	Pan head machine screw	アプセット小ネジ	4P067677-1	M5×16	10	10	
F17		1387197	Set plate(1)	機器取付板 (1)	2P095432-1		1	1	
F18		1267503	Blind plate(2)	機器取付板 (2)	2P078296-1	t1.2	1	1	
F19		1381098	Mounting plate, terminal board	端子台基板取付板	3P090389-1		1	1	
F20		1622605	PC port fixing plate	パソコンポート固定板	3P147873-2		1	1	
F22	A	1198931	Magnetic contactor(for Fans)	電磁接触器 (ファン用)	3P055568-1	24V PAK-6J31C	3	3	
F23	A	1241493	Magnetic contactor(Phase correction contactor)	相順切換電磁接触器 (PCC)	3P071508-3	24V RSK-35J	1	1	
F24	A	1198917	Magnetic contactor(Compressor)	電磁接触器 (圧縮機)	3P055566-1	24V PAK35J-S536	1	1	
F25	C	1562796	Low frequency transformer	低周波変圧器	3P139293-1		1	1	
F26	C	1381113	PC port connector	パソコンポートコネクタ	3P073218-1		1	1	
F27	A	1381120	Earth leakage circuit breaker	漏電遮断器	3P093326-1		1	1	
F28	C	1141144	Contact, receptacle	コンタクト、レセプタクル用	3P010806-1	HD10	3	3	
F29		1381137	PC port connector ass'y	パソコンポートカバー組立品	3P010743-2		1	1	
F30	A	0954633	PT/CT board	P T / C T ボード	2P010906-3		1	1	
F31	A	1256116	Terminal strip board	端子台基板	2P078284-1		1	1	
F31-1	A	0030652	Fuse, control	制御用ヒューズ	4SA42006-4	250V 10A	6	6	
F32		1381144	Mounting plate thermal sensor	温度センサ取付板	4P010921-1		1	1	
F33	A	0329679	Reverse phase protector	逆相保護装置 (RPP)	3SA42153-1	346-440V	1	1	
F34	A	1584284	Controller assemblies	コントローラ組立品	3P101756-7		1		
F34	A	1645747	Controller assemblies	コントローラ組立品	3P161732-2			1	
F34-1	A	1581379	PCB ass'y	プリント基板組立品	2P065387-16		1		
F34-1	A	1642553	PCB ass'y	プリント基板組立品	2P161091-2			1	
F34-2	A	1378751	I/O board ass'y	I/O ボード	2P010367-2		1		
F34-2	A	0954594	I/O board ass'y	I/O ボード	2P010367-1			1	
F34-3		1381151	Bottom plate(sheet metal)	コントローラ底板	2P098577-1		1	1	

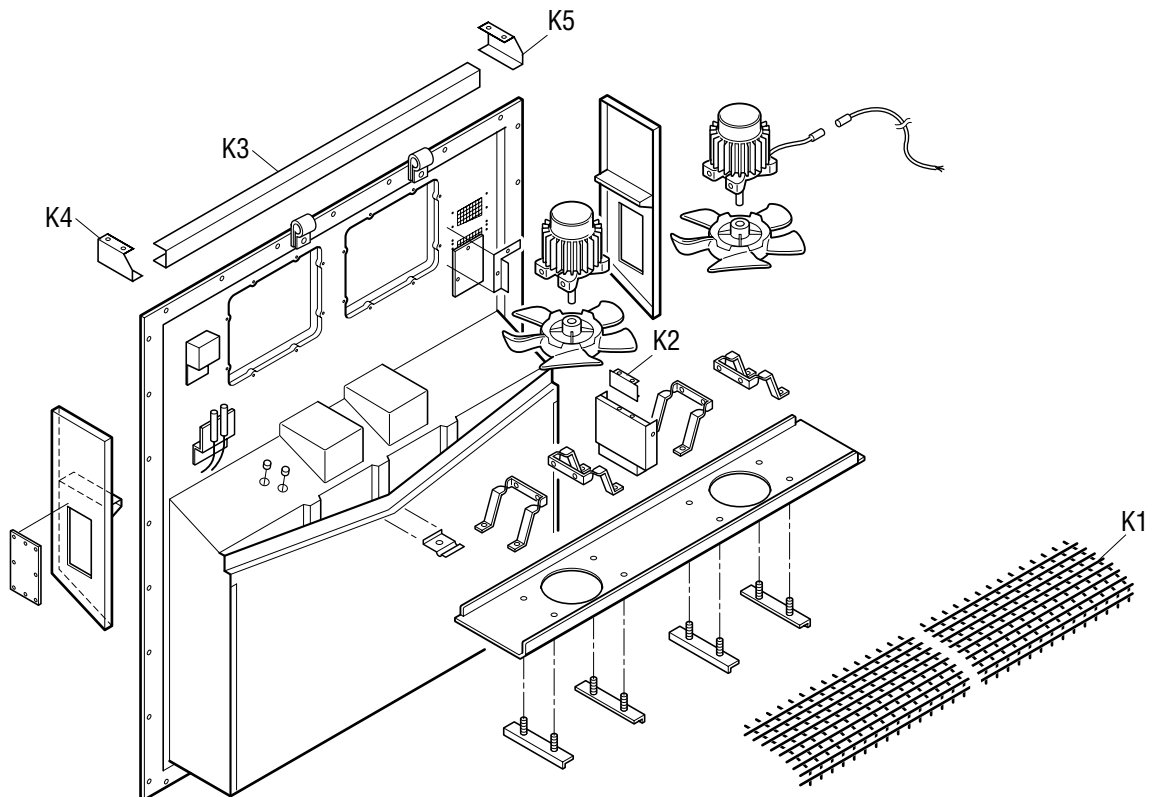
NO. 符号	INDEX	PARTS NO. 部品番号	PARTS NAME	部品名称	DWG. NO. 図面番号	TYPE SPECIFICATION 形式 仕様	QTY/UNIT		REMARKS 備考
							LXE10E-		
							A27A	A27B	
F34-4	B	1381168	Controller cover	蓋 (コントローラ)	2P099967-1		1	1	
F34-5		1099940	Support bushing, PCB	プリント基板サポートブッシュ	MI49531-11		14	14	
F34-6		1099957	Support color, PCB	プリント基板サポートカラー	MI49531-13		14	14	
F34-7		1267572	Rubber transistor	放熱用ゴムトランジスタ	4P005330-1		2	2	
F34-8	A	1250783	PC board for suction modulating valve	プリント基板組立品 (吸入制御弁用)	3P065441-1	EC0058	1	1	
F34-8-1	A	0445432	Fuse, control	制御用ヒューズ	4SA42006-3	250V 5A	1	1	
F34-9		1267596	Locking wire saddle	ロッキングワイヤサドル	4P015570-2	LWS	3	3	
F34-10		1267604	Flat cable clamp	フラットケーブルクランプスナップタイプ	4P015573-1		1	1	
F34-11		1136539	Clamp	クランプ金具	4P015574-2		1	1	
F34-12		1267611	Speed bolt	スピードボルト (M6)	4P048680-3	M6X20(S)	2	2	
F34-13		860005	Washer, speed bolt	スピードボルト用座金	R4713334		4	4	
F34-14		840002	Drop out prevention washer	脱落防止座金	R4718607-6		2	2	
F35		1267628	Wire(wire ground)	電線 (電線グラウンド)	4P067662-1		1	1	
F36		1267635	Wire(wire ground)	電線 (電線グラウンド)	4P067663-1		4	4	
F37		1635346	Flexible tube(resin)	樹脂製フレキシブル管用グラウンド	4P157387-1		2	2	
F38		1635353	Flexible tube(resin)	樹脂製フレキシブル管	4P157410-1		2	2	
F39		1267666	Quick fastener	クイックファスナー	4P064642-1		2	2	
F40		860015	Universal nut	自在ナット	R4713188-1		2	2	
F42		833302	Nylon nut	ナイロンナット	R4716460-1	M4	4	4	
F44		1099940	Support bushing, PCB	プリント基板サポートブッシュ	MI49531-11		7	7	
F45		1099957	Support color, PCB	プリント基板サポートカラー	MI49531-13		7	7	
F46		981616	Locking card spacer	ロッキングカードスペーサー	R3428091-3	KGLS-8S	4	4	
F48		1326820	Packing(C.BOX front plate)	パッキン (C. BOX 前板)	4P085513-1		1	1	
F49		1136539	Clamp	クランプ金具	4P015574-2		2	2	
F50		1267712	Clamp	クランプ金具	3P049495-1		2	2	
F57		1549894	Set plate(PT/CT board)	機器取付板 (P T / C T ボード)	3P126713-1		1	1	
F58		1267781	Mounting plate, elect components	電装品取付板	4P064227-1	t=1.2	1	1	
F59		1549902	Set plate(breaker)	機器取付板 (ブレーカ)	3P126712-1		1	1	
F61		1295623	Fixtture(instruction ring)	固定具 (インストラクションリング)	4P064698-1	Wire diameter	1	1	
F62		1381175	Circuit board spacer	サーキットボードスペーサ	4P000347-1		4	4	
F63		1295630	Lever	ワンタッチ金具	4P085171-1		1	1	
F64		1295647	Fixing plate for lever	ワンタッチ金具取付板	4P085164-1		1	1	
F65		0907125	Sealed sheet	絶縁シート (ワンタッチ金具)	4PA52417-1	t0.075±0.01	1	1	
F66		0907132	Sealed sheet	絶縁シート (ワンタッチ金具)	4PA52417-2	t0.075±0.01	1	1	
F67		833301	Nylon nut	ナイロンナット	R4716460-3	M6	3	3	
F68		1562859	Implent use cover mounting plate	機器カバー取付板	4P095433-1		1	1	
F69		1378441	Rivet	リベット	4P057425-2		2	2	
F70	A	1378162	Chargeble battery ass'y	充電器組立品	2P103790-1		1	1	
F70-1		1381182	Chargeble battery PCB ass'y	充電P板組立品	2P103790-1-KA		1	1	
F70-2		1381207	Chargeable battery	チャージャブルバッテリー	2P103790-1-KI		1	1	



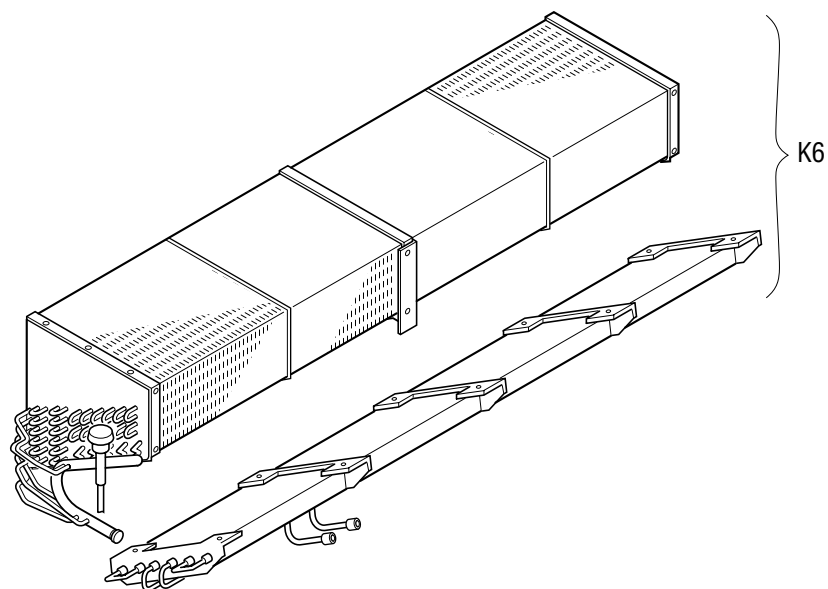


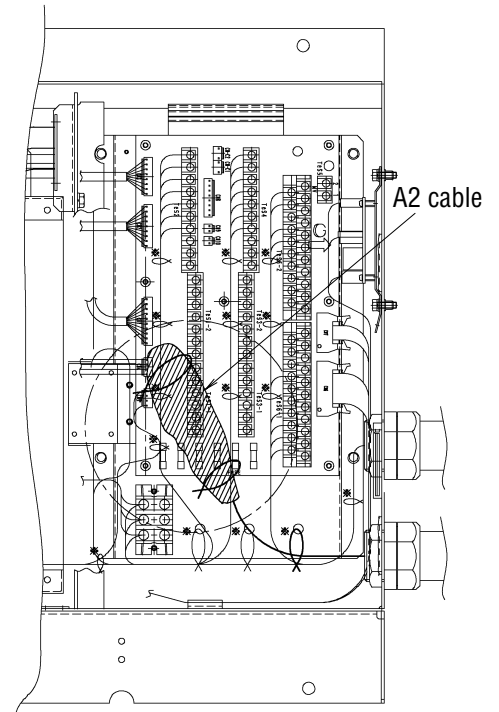
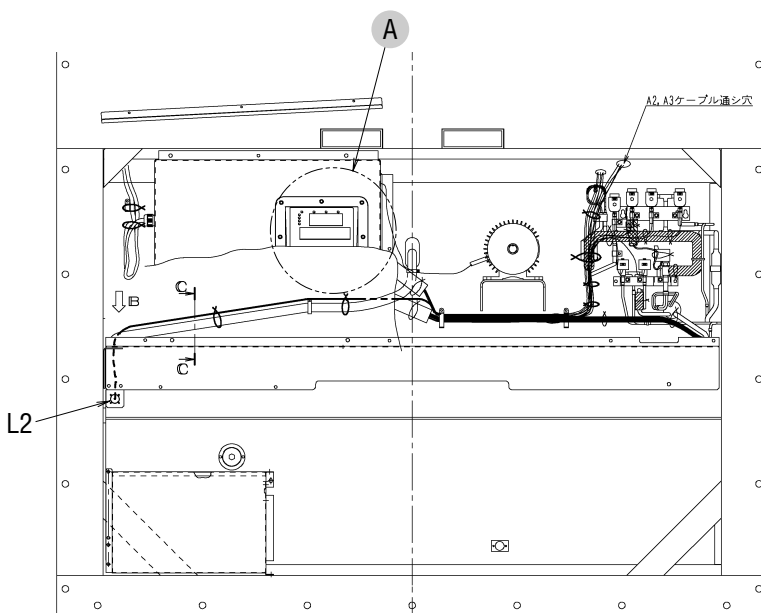
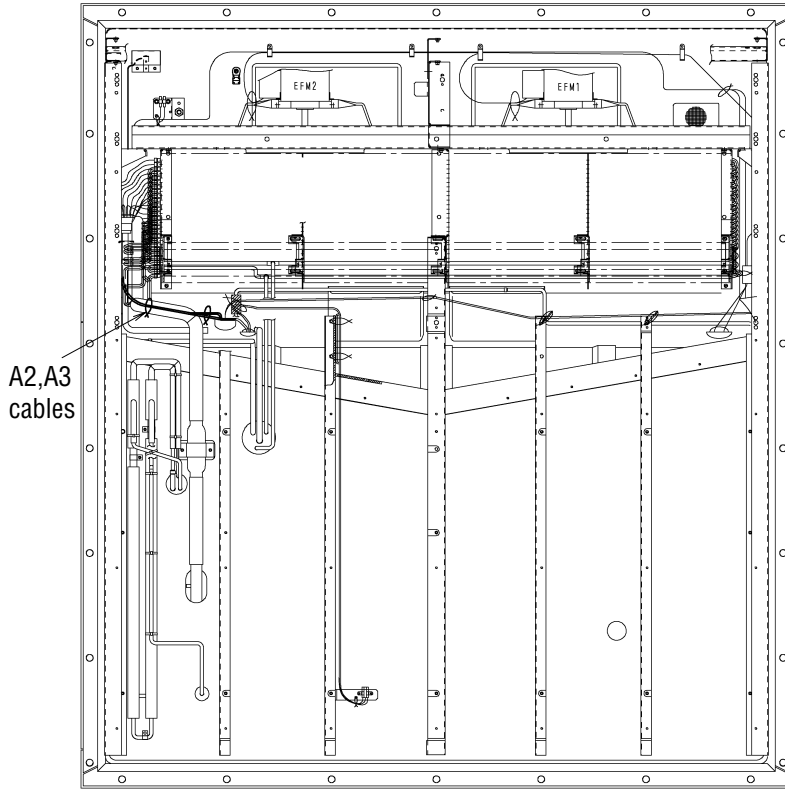
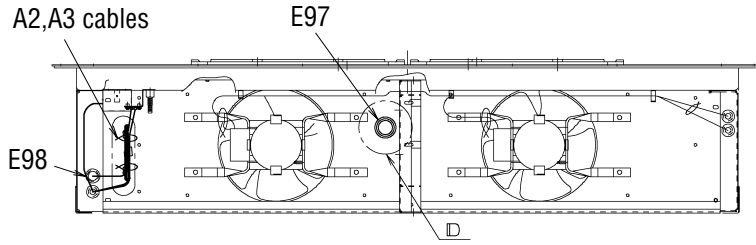


1. Indoor fan guard
1. 庫内ファンガード



2. Evaporator coil
2. 蒸発器コイル組立品

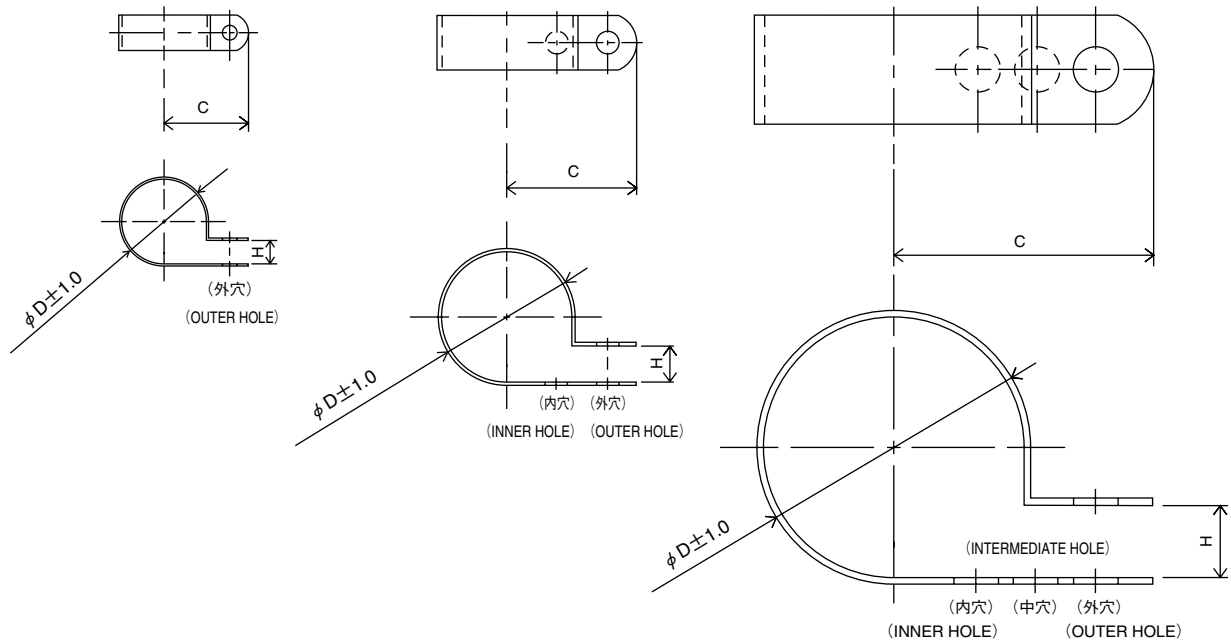




A内部詳細 (Detail of inside A)

1. Resin clamp

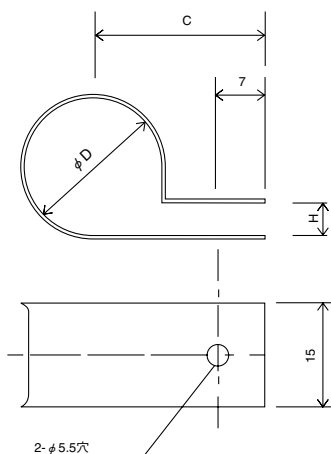
1. 樹脂バンド



NO. 符号	PARTS NO. 部品番号	PARTS NAME	部品名称	DWG NO. 図面番号	SIZE サイズ			QTY 使用個数
					D	C	H	
E10	1222764	Resin clamp	樹脂バンド	NE41015-9	26.9	27.8	7.9	1
E11	0944528	Resin clamp	樹脂バンド	NE41015-7	19.8	24.6	7.9	2
E12	0142492	Resin clamp	樹脂バンド	NE41015-10	29.2	29.4	7.9	2
E13	1266788	Resin clamp	樹脂バンド	NE41015-12	39.4	34.2	9.5	4

2. Tube clamp

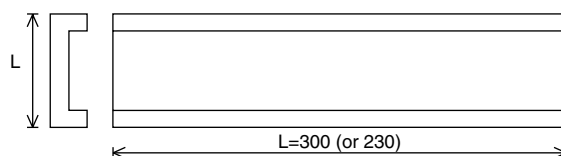
2. 管止金



NO. 符号	PARTS NO. 部品番号	PARTS NAME	部品名称	DWG NO. 図面番号	SIZE サイズ			QTY 使用個数
					D	C	H	
E6	1270439	Tube clamp	管止金	NE31016-61	30	30	5	2
E15	0782775	Tube clamp	管止金	NE31016-51	10	20	3	5
E16	1584215	Tube clamp, Nylon Coating	管止金、ナイロンコーティング	4P143802-51	10	20	3	2
E17	1584208	Tube clamp, Nylon Coating	管止金、ナイロンコーティング	4P143802-52	12	21	3	1
E19	1584222	Tube clamp, Nylon Coating	管止金、ナイロンコーティング	4P143802-54	16	23	4	1
E21	0016290	Tube clamp	管止金	NE31016-56	20	25	5	1
E22	1584239	Tube clamp, Nylon Coating	管止金、ナイロンコーティング	4P143802-71	6.4	20	1	4
E27	1266858	Tube clamp	管止金	NE31016-59	26	28	5	1
E29	1584246	Tube clamp, Nylon Coating	管止金、ナイロンコーティング	4P143802-59	26	28	5	1

3. Cushion rubber for pipe clamp

3. 管止金用緩衝ゴム



SIZE L :
NE41013-3 L=22
NE41013-4 L=42

NO. 符号	PARTS NO. 部品番号	PARTS NAME	部品名称	DWG NO. 図面番号	QTY 使用個数	REMARKS 備考
E35	1584253	Cushion rubber	管止金用緩衝ゴム	NE41013-3-300	1	Cut to suit pipe size. 配管サイズに合わせて切 って使用のこと

1. Parts recommended to be ordered together with packing, gasket, sealing material and name plate
 1. 発注の際にパッキングやシール材、銘板等の同時発注を推奨する部品

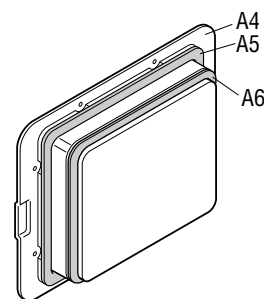
For ordering following spare parts, we recommend that you order the following packing, gasket, sealing material and name plate together at the same time.

上記のサービス扉やボックスカバーを発注の際には、下記のパッキングを同時に発注することをおすすめします。

(1) Service door

(1) サービス扉

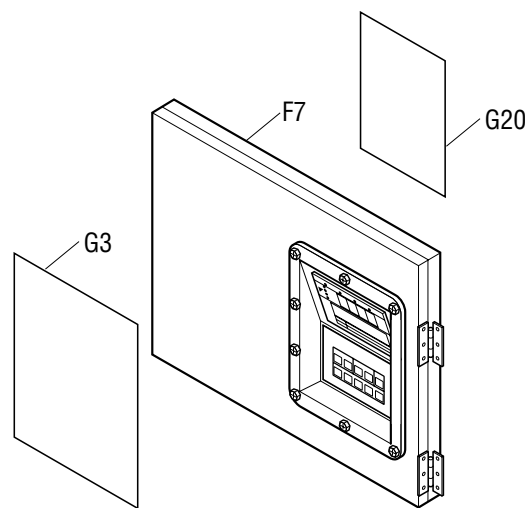
NO. 符号	PARTS NO. 部品番号	PARTS NAME	部品名称	DWG NO. 図面番号	REMARKS 備考
A4	1612576	Access panel ass'y	サービス扉組立品	1P006678-5	(Without cushion and sealing material) (クッション材、シール材なし)
A5	1266207	Cushion material	クッション材	3P033608-1	
A6	1196113	Sealing material	シール材	3P001640-2	



(2) Control box cover

(2) コントロールボックスカバー

NO. 符号	PARTS NO. 部品番号	PARTS NAME	部品名称	DWG NO. 図面番号
F7	1600636	Control box cover ass'y	コントロールボックスフタ組立品	2P147871-6
G3	1557042	Name plate, operation	操作銘板	1P136900-1
G20	1584309	Name plate, wiring diagram	電気配線図銘板	2D047172-1



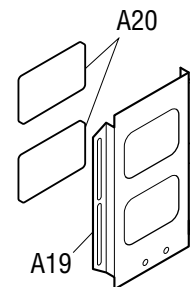
※Rubber gasket, sheet key is attached to control box cover ass'y.

※ゴムガスケットとシートキーはコントロールボックス組立品に付属しています。

(4) Ventilation cover

(4) 換気口蓋

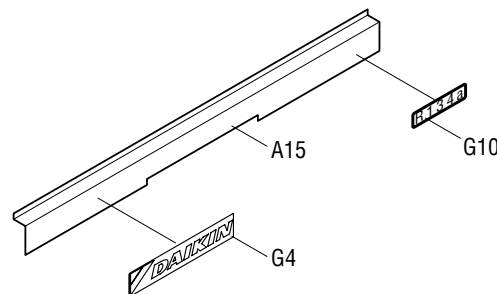
NO. 符号	PARTS NO. 部品番号	PARTS NAME 部品名称	DWG NO. 図面番号	REMARKS 備考
A19	1266120	Ventilation cover 換気口蓋	3P067053-1	
A20	1266221	Sealing material (access panel) シール材 (換気口)	4P016185-1	Required 2 pcs.



(5) Front plate (CA)

(5) 前板 (CA)

NO. 符号	PARTS NO. 部品番号	PARTS NAME 部品名称	DWG NO. 図面番号
A15	1270338	Front plate (CA) 前板 (CA)	2P061345-1
G4	1306530	Name plate, brand name 意匠銘板	4P085985-1
G10	1178843	Name plate, refrigerant 冷媒銘板	3P009750-1



2. Order for motorized valve, solenoid valve and pressure regulating valve

2. 電動弁・電磁弁・圧力調整弁の発注

Refer to the following table for the name, main body, solenoid coil and ass'y of solenoid valves etc. applied to this model.

この機種に使用されている電磁弁等の名称と本体・コイル・組立品は下記のとおりです。

	Body/Coil 本体/コイル	NO. 符号	PARTS NO. 部品番号	PARTS NAME	部品名称	DWG NO. 図面番号	Common Parts 共通部品		
							NEV-803DXF	NEV-202DXF	NEV-MOAB507C1
1.EV	本体 Body	B7-3	1256495	Electronic expansion valve body	電子膨張弁本体	2SA50010-2-KU			
	コイル Coil	B20	1381430	Electronic expansion valve coil	電子膨張弁コイル	2P010454-2			
2.HSV	本体 Body	B7-4	0944566	Hot gas solenoid valve body	ホットガス電磁弁本体	R3305118-1	○		
	コイル Coil	B7-5	1266290	Hot gas solenoid valve coil	ホットガス電磁弁コイル	3P010453-2			○
3.DSV	本体 Body	B7-4	0944566	Defrost bypass solenoid valve body	デフロストバイパス電磁弁本体	R3305118-1	○		
	コイル Coil	B7-5	1266290	Defrost bypass solenoid valve coil	デフロストバイパス電磁弁コイル	3P010453-2			○
4.BSV	本体 Body	B7-4	0944566	Gas bypass solenoid valve body	ガスバイパス電磁弁本体	R3305118-1	○		
	コイル Coil	B7-5	1266290	Gas bypass solenoid valve coil	ガスバイパス電磁弁コイル	3P010453-2			○
5.RSV	本体 Body	B7-4	0944566	Reheat coil bypass solenoid valve body	レヒートコイルバイパス電磁弁本体	R3305118-1	○		
	コイル Coil	B7-5	1266290	Reheat coil bypass solenoid valve coil	レヒートコイルバイパス電磁弁コイル	3P010453-2			○
6.EV	本体 Body	B7-6	0088738	Economizer solenoid valve body	エコノマイザー電磁弁本体	R3305099-1-KI		○	
	コイル Coil	B7-5	1266290	Economizer solenoid valve coil	エコノマイザー電磁弁コイル	3P010453-2			○
7.ISV	本体 Body	B7-6	0088738	Injection solenoid valve body	インジェクション電磁弁本体	R3305099-1-KI		○	
	コイル Coil	B7-5	1266290	Injection solenoid valve coil	インジェクション電磁弁コイル	3P010453-2			○
8.LSV	本体 Body	B4-5	0944566	Liquid solenoid valve body	液電磁弁本体	R3305118-1	○		
	コイル Coil	B4-6	0955287	Liquid solenoid valve coil	液電磁弁コイル	3P010453-1			○
9.SMV	組立品 Ass'y	B8-1	1254538	Suction modulating Valve	吸入比例弁組立品	2P078385-1			Note 1 注 1
10.DPR	組立品 Ass'y	B3-4	1241361	Discharge pressure regulating valve	吐出圧力調整弁	3P074558-1			

Note 1 : Refer Page 26, 27 and 28 for detail parts of suction modulating valve.

注 1 : SMV (吸入比例弁) の詳細部品はP.26、27、28を参照ください。

Note 2 : Difference of solenoid valve No.1266290 and 0955287.

No.1266290 (3P010453-2) : Lead wire length 1550mm

No.0955287 (3P010453-1) : Lead wire length 2000mm

注 2 : 電磁弁No.1266290とNo.0955287の違い。

No.1266290 (3P010453-2) : リード線長さ1550mm

No.0955287 (3P010453-1) : リード線長さ2000mm

3. Order for pressure trasducer

3. 圧力センサーの発注

Refer to the following table for the pressure transducer applied to this model.

For ordering pressure transducer, we recommend that you order the following best shrinkable tube together at the same time.

この機種に使用している圧力センサーは下記の通りです。

圧力センサー発注の際は、下記の熱収縮チューブを同時に発注することをおすすめします。

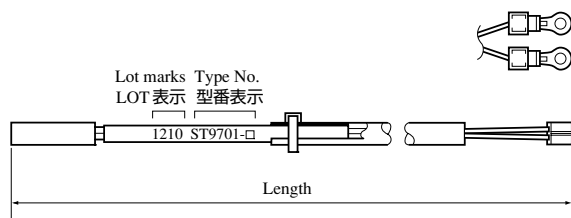
呼称名	NO. 符号	PARTS NO. 部品番号	PARTS NAME	部品名称	DWG NO. 図面番号	TYPE 形式	REMARKS 備考
HPT	B16	1600559	High pressure transducer	高圧圧力センサ	3P141602-1	SPCH01	
LPT	B15	1600542	Low pressure transducer	低圧圧力センサ	3P141601-1	SPCH02	
	E84	1605509	Heat shrinkable tube	圧力センサ熱収縮チューブ	4P151322-1	SPCL02	Must be applied when replacing above sensors. 上記圧力センサー交換時使用の事。

4. Order for temperature sensor

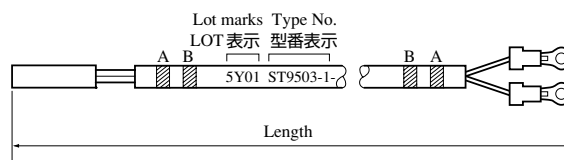
4. 温度センサーの発注

Refer to the following table for temperature sensors applied to this model.

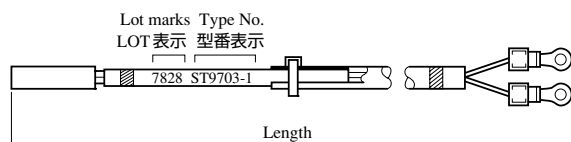
この機種に使用されている温度センサーは下記の通りです。



※Operating temp. range -30~+150°C
使用温度範囲 -30~+150°C



※Operating temp. range -30~+70°C
使用温度範囲 -30~+70°C



※Operating temp. range -30~+15°C
使用温度範囲 -30~+15°C

※1 Location 取付場所

Indoor A : Indoor supply air side

Indoor B : Indoor return air side

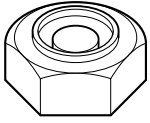
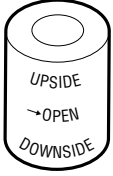
庫内A : 庫内吹出空気側

庫内B : 庫内吸込空気側

呼称	NO. 符号	PARTS NO. 部品番号	PARTS NAME 部品名称	DWG. NO. 図番	TYPE 形式	WIRE COLOR 配線色		LENGTH 全長mm	※1 LOCATION 取付場所	TEMPORALY EXCHANGABILITY 緊急時互換性	
						A	B				
1. SS	C24	1375310	Supply air temp. sensor	吹出空気温度センサー	3PA61769-11	ST9503-11	green 緑	- -	4700	Indoor A 庫内A	○
2. DSS	C25	1375327	Data recorder supply air temp. sensor	データレコーダ吹出空気温度センサー	3PA61769-12	ST9503-12	green 緑	Red 赤	4700	Indoor A 庫内A	○
3. RS	C26	1375334	Return air temp. sensor	吸込空気温度センサー	3PA61769-13	ST9503-13	Blue 青	- -	6700	Indoor B 庫内B	○
4. DRS	C27	1375341	Data recorder return air temp. sensor	データレコーダ吸込空気温度センサー	3PA61769-14	ST9503-14	Blue 青	Red 赤	6700	Indoor B 庫内B	○
5. EIS	D4	1562828	Evaporator inlet temp. sensor	蒸発器入口温度センサー	3P012118-2	ST9703-2	- -	Black 黒	2500	Indoor EVP. 庫内蒸発器	
6. EOS	D5	1562835	Evaporator outlet temp. sensor	蒸発器出口温度センサー	3PA61769-15	ST9503-15	Yellow 黄	- -	2600	Indoor EVP. 庫内蒸発器	○
7. DCHS	B11	0983321	Discharge pipe temp. sensor	吐出管温度センサー	3SA48009-10	ST9701-10	-	-	2800	Outdoor 庫外	
8. AMBS	B12	0798321	Ambient air temp. sensor	外気温度センサー	3PA61769-6	ST9503-6	- -	- -	3200	Outdoor 庫外	○
9. SGS	B13	0983338	Compressor suction gas temp. sensor	圧縮機吸入ガス温度センサー	3PA61769-9	ST9503-9	White 白	- -	3200	Outdoor 庫外	○

1. Tools for emergency operation

1. 緊急運転用工具

NO. 符号	PARTS NO. 部品番号	PARTS NAME	部品名称	DWG NO. 図面番号	USE 用途	ILLUSTRATION 姿図
-	1080263	Emergency coil cap	エマージェンシー コイルキャップ	3P017370-1	For electronic expansion valve 電子膨張弁用	
-	1270530	Emergency magnet	エマージェンシー マグネット	2P078385-2	Suction modulating valve 吸入比例弁用	

(See Service Manual for application.)

(使用方法はサービスマニュアルを参照ください。)

2. Personal computer cable (for DCCS)

2. パソコンケーブル（DCCS用）

The following parts are connector cables required to exchange information between the refrigeration unit and personal computer. The table below describes parts required to apply to Model LXE-C, -D, and -E new model.

下記の部品は冷凍ユニットとパソコンの情報交換に必要なコネクタ、ケーブル類です。LXE-C型、D型、及び新機種E型対応に必要な部品を掲載しています。

[TYPE A]タイプA

LXE10C LXE10CA LXE10D for MOL	LXE10C LXE10CA MOL用LXE10D	
(Receptacle) RS232C (Female) on the controller	(レセプタクル) RS232C (メス) コントローラー側	

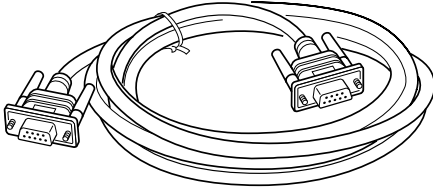
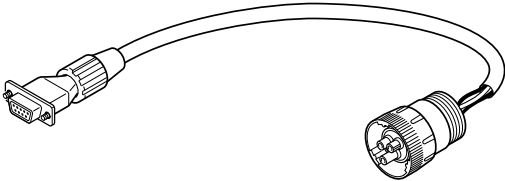
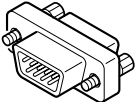
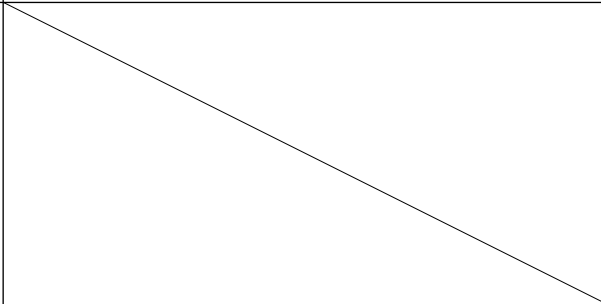
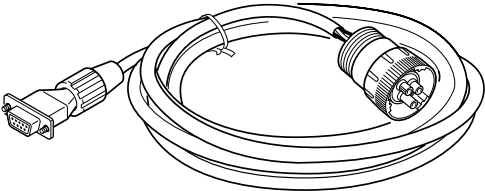
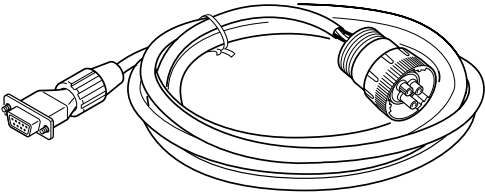
[TYPE B]タイプB

LXE10D LXE10E	LXE10D LXE10E	
(Receptacle) Water proof type on the unit	(レセプタクル) コンテナ冷凍機 ユニットの防水型	

(1) Parts No.

(1) 部品番号

NO. 符号	PARTS NO. 部品番号	PARTS NAME	部品名称	REMARKS 備考
①	Local supply 市販品	Connection cable (reverse)	接続ケーブル (リバース)	RS232C reverse (cross) type RS232Cリバース (クロス) 型
②	9993324	Connection cable	接続ケーブル	
③	Local supply 市販品	Adapter (gender changer)	アダプター (ジェンダーチェンジャー)	D-sub 9P, Male-Male Dサブ9ピン、オス-オス
④	1087149	Connection cable (3 Pins)	接続ケーブル (3ピン)	LXE10E-A Standard LXE10E-A標準
⑤	1384509	Connection cable (5 Pins)	接続ケーブル (5ピン)	For LXE10E-A14,A15 LXE10E-A14、A15用

NO. 符号	Illustration 姿図	Internal Wiring 内部配線																														
①		<p>RS232C Female RS232C Female</p> <p>メス メス</p> <table border="0"> <tr><td>1</td><td>↔</td><td>1</td></tr> <tr><td>2</td><td>↔</td><td>2</td></tr> <tr><td>3</td><td>↔</td><td>3</td></tr> <tr><td>4</td><td>↔</td><td>4</td></tr> <tr><td>5</td><td>↔</td><td>5</td></tr> <tr><td>6</td><td>↔</td><td>6</td></tr> <tr><td>7</td><td>↔</td><td>7</td></tr> <tr><td>8</td><td>↔</td><td>8</td></tr> <tr><td>Frame</td><td></td><td>Frame</td></tr> <tr><td>フレーム</td><td></td><td>フレーム</td></tr> </table>	1	↔	1	2	↔	2	3	↔	3	4	↔	4	5	↔	5	6	↔	6	7	↔	7	8	↔	8	Frame		Frame	フレーム		フレーム
1	↔	1																														
2	↔	2																														
3	↔	3																														
4	↔	4																														
5	↔	5																														
6	↔	6																														
7	↔	7																														
8	↔	8																														
Frame		Frame																														
フレーム		フレーム																														
②		<p>Daikin made RS232C Female</p> <p>ダイキン製 メス</p> <table border="0"> <tr><td>A</td><td>Red</td><td>1</td></tr> <tr><td>B</td><td>White</td><td>2</td></tr> <tr><td>C</td><td>Black</td><td>3</td></tr> <tr><td></td><td></td><td>4</td></tr> <tr><td></td><td></td><td>5</td></tr> <tr><td></td><td></td><td>6</td></tr> <tr><td></td><td></td><td>7</td></tr> <tr><td></td><td></td><td>8</td></tr> <tr><td></td><td></td><td>9</td></tr> </table>	A	Red	1	B	White	2	C	Black	3			4			5			6			7			8			9			
A	Red	1																														
B	White	2																														
C	Black	3																														
		4																														
		5																														
		6																														
		7																														
		8																														
		9																														
③																																
④		<p>Daikin made RS232C Female</p> <p>ダイキン製 メス</p> <table border="0"> <tr><td>A</td><td>Red 赤</td><td>1</td></tr> <tr><td>B</td><td></td><td>2</td></tr> <tr><td>C</td><td>White 白</td><td>3</td></tr> <tr><td></td><td></td><td>4</td></tr> <tr><td></td><td>Black 黒</td><td>5</td></tr> <tr><td></td><td></td><td>6</td></tr> <tr><td></td><td></td><td>7</td></tr> <tr><td></td><td></td><td>8</td></tr> <tr><td></td><td></td><td>Frame</td></tr> <tr><td></td><td></td><td>フレーム</td></tr> </table>	A	Red 赤	1	B		2	C	White 白	3			4		Black 黒	5			6			7			8			Frame			フレーム
A	Red 赤	1																														
B		2																														
C	White 白	3																														
		4																														
	Black 黒	5																														
		6																														
		7																														
		8																														
		Frame																														
		フレーム																														
⑤		<p>Daikin made RS232C Female</p> <p>ダイキン製 メス</p> <table border="0"> <tr><td>A</td><td>Red 赤</td><td>1</td></tr> <tr><td>B</td><td></td><td>2</td></tr> <tr><td>C</td><td>White 白</td><td>3</td></tr> <tr><td>D</td><td></td><td>4</td></tr> <tr><td>E</td><td>Black 黒</td><td>5</td></tr> <tr><td></td><td></td><td>6</td></tr> <tr><td></td><td></td><td>7</td></tr> <tr><td></td><td></td><td>8</td></tr> <tr><td></td><td></td><td>Frame</td></tr> <tr><td></td><td></td><td>フレーム</td></tr> </table>	A	Red 赤	1	B		2	C	White 白	3	D		4	E	Black 黒	5			6			7			8			Frame			フレーム
A	Red 赤	1																														
B		2																														
C	White 白	3																														
D		4																														
E	Black 黒	5																														
		6																														
		7																														
		8																														
		Frame																														
		フレーム																														

<https://daikin-p.ru>

MEMO

<https://daikin-p.ru>

DAIKIN INDUSTRIES, LTD.

Head Office. Umeda Center Bldg., 4-12, Nakazaki-Nishi 2-chome, Kita-ku, Osaka, 530-8323 Japan.

Tel: 06-6373-4338

Fax: 06-6373-7297

Tokyo Office. JR Shinagawa East Bldg., 10F 18-1, Konan 2-chome, Minato-ku Tokyo, 108-0075 Japan.

Tel: 03-6716-0420

Fax: 03-6716-0230