

<https://daikin-p.ru>

DAIKIN



Marine type Container Refrigeration Unit

Service Manual · Parts List

Optional Functions

LXE10E-A33

LXE10E-A33A

DAIKIN INDUSTRIES, LTD.

TR06-04A

Covered Models

Regarding the features and operation of the unit, this service manual describes the items which are different from those of the service manual TR01-09A.

NO.	Item	Different points from service manual (Maintenance and Repair)
1☆	Dehumidification function	Refer to the details in the following pages.
2☆	Setting temperature range	Refer to the details in the following pages.

For the ☆ marked items, refer to the details in the following pages.

CONTENTS

Safety Precautions	
• Danger	3
• Warning	4
• Caution	5
1. Introduction	1-1
☆ 1.1 Operation range	1-1
☆ 1.2 Basic Names of components	1-1
1.3 Basic operation of refrigeration unit	1-2
1.3.1 Starting operation	1-2
1.3.2 Checking during operation	1-3
1.3.3 Procedure after operation	1-3
1.3.4 Adjust the ventilation	1-4
2. General description	2-1
2.1 Main specifications	2-1
2.2 Names of components	2-2
☆ 2.2.1 Outside	2-2
2.2.2 Inside	2-4
2.2.3 Control box	2-6
2.3 Set point of functional parts and protection devices ...	2-9
2.4 Operating pressure and running current	2-10
☆ 2.5 Operation modes and control	2-14
2.5.1 Frozen mode	2-15
2.5.2 Chilled and partial frozen mode	2-17
2.5.3 Defrosting mode	2-19
☆ 2.5.4 Dehumidification mode (Optional)	2-22
2.5.5 Common control	2-23
3. Electronic Controller	3-1
3.1 Function table	3-1
3.2 Basic operation of electronic controller	3-3
3.2.1 Control panel	3-3
3.2.2 Operation mode and control	3-5
3.3 Operation procedure	3-6
3.3.1 Operation procedure flow chart	3-6
3.3.2 Mode operation procedure	3-9
1. Current (Operation state) indication mode ...	3-9
2. Operation setting mode	3-10
3. Battery mode	3-11
☆ 4. Mode operation	3-12
5. LED display light-OFF mode	3-14
6. Sensor indication mode	3-15
7. Temperature record scroll mode	3-18
8. Alarm record scroll mode	3-21
9. PTI record scroll mode	3-23
3.3.3 Setting flow chart	3-24
10. Optional function setting mode	3-26
11. Basic function setting mode	3-27
12. Optional condition setting mode	3-29
13. Input data mode	3-31
14. Controller software download mode ...	3-32
3.4 Alarm display and back-up function	3-33
☆ 3.4.1 Alarm list	3-33
3.4.2 Back-up operation at sensor malfunction ...	3-34
3.5 Battery	3-36
☆ 3.5.1 Specifications	3-36
3.5.2 Function	3-36
3.6 Information interchange with personal computer ...	3-37
3.6.1 Data logging	3-38
3.6.2 Software configuration	3-39
3.7 Inspection procedure for the electronic controller ...	3-41
3.8 Controller replacement and the initial setting ...	3-42
3.8.1 Controller replacement	3-42
3.8.2 Initial setting & operation procedure ...	3-43
3.8.3 Initial setting table into spare controller ...	3-44
3.9 PTI (Pre-Trip Inspection) and periodic inspection ...	3-45
3.9.1 Inspection item	3-46
3.9.2 Automatic PTI (Pre-Trip Inspection)	3-49
3.9.2.1 PTI selection mode	3-50
3.9.2.2 Short PTI (S.PTI)	3-51
3.9.2.3 Full PTI (F.PTI)	3-52
3.9.2.4 Alarm list during PTI (Pre-Trip Inspection) ...	3-53
3.9.2.5 Manual check (M.CHECK)	3-54
3.10 Chartless function	3-56
3.10.1 Chart indication function	3-56
3.10.2 P code (Pull down time indication)	3-58
3.10.3 Chartless code display function	3-59
3.10.3.1 List of chartless code	3-59
3.10.3.2 H-code	3-60
3.10.3.3 d-code:	3-62
3.11 Communication modem	3-63
4. Service and Maintenance	4-1
4.1 Maintenance service	4-1
4.1.1 Collection of refrigerant	4-1
4.1.2 Gauge manifold	4-1
4.1.3 Automatic pump down	4-3
4.1.4 Refrigerant recovery and charge	4-5
4.2 Main components and maintenance	4-9
4.2.1 Scroll compressor	4-9
4.2.2 Fan and fan motor	4-11
4.2.3 PT and CT board (EC9756)	4-12
☆ 4.2.4 Electronic expansion valve	4-14
4.2.5 Suction modulation valve	4-15
4.2.6 Drier	4-16
4.2.7 Solenoid valve	4-17
4.2.8 Discharge pressure regulating valve ...	4-18
4.2.9 Check valve	4-18
4.2.10 High-pressure switch (HPS)	4-19
4.2.11 Low pressure transducer (LPT)	4-19
4.2.12 High pressure transducer (HPT)	4-20
4.2.13 Air-cooled condenser and evaporator ...	4-20
4.2.14 Fusible plug	4-21
4.2.15 Liquid/moisture indicator	4-21
4.2.16 Evacuation and dehydrating	4-22
5. Optional Devices	5-1
5.1 Electronic temperature recorder	5-1
5.2 USDA transportation	5-3
5.2.1 Type of USDA sensor/receptacle	5-3
5.2.2 Initial setting	5-3
5.2.3 USDA sensor calibration	5-3
5.2.4 USDA transportation requirement	5-3
5.2.5 USDA report	5-3
5.3 TransFRESH	5-5
6. Troubleshooting	6-1
6.1 Refrigeration system and electrical system ...	6-1
6.2 Alarm codes on electronic controller	6-4
6.3 Troubleshooting for automatic PTI (J-code) ...	6-9
6.4 Diagnosis based on the recording chart	6-11
6.5 Emergency operation	6-14
6.5.1 Emergency operation of controller	6-14
6.5.2 Short circuit operation of controller	6-15
6.5.3 Opening adjustment of electronic expansion valve ...	6-16
6.5.4 Opening adjustment of suction modulation valve: ...	6-17
6.5.5 Automatic Back up for supply/ return air temperature sensors	6-18
6.6 Troubleshooting for automatic PTI (J-code) ...	6-19
7. Appendix	7-1
7.1 Standard tightening torques for bolts	7-1
7.2 Standard tightening torque for flare nut	7-1
7.3 Resistance of motor coil and solenoid valve coil ...	7-1
7.4 HFC134a, temperature-vapor pressure characteristics table ...	7-2
7.5 Temperature conversion table and temperature sensor (SS/RS/DSS/DRS/RSS/RRS/EIS/EOS/SGS/AMBS) characteristics table	7-3
7.6 Temperature conversion table and temperature sensor (DCHS) characteristics table	7-4
7.7 High pressure transducer characteristics table ...	7-4
7.8 Low pressure transducer characteristics table ...	7-4
☆ 7.9 Piping diagram	7-5
7.10 Pilot lamps and monitoring circuit	7-6
7.11 Fuse protection table	7-7
☆ 7.12 Schematic wiring diagram	7-9
☆ 7.13 Stereoscopic wiring diagram	7-10

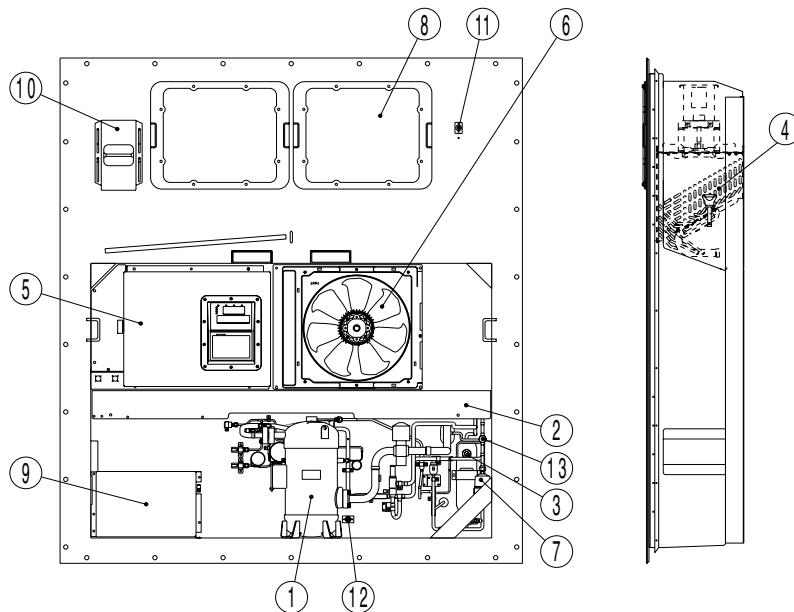
1. Introduction

1.1 OPERATION RANGE

Use the units within the following range.

Item	Operation range
Ambient temperature range	-30°C to +50°C (-22°F to + 122°F)
Inside temperature range	-30°C to +30°C (-22°F to + 86°F)
Voltage	50Hz: 380V/400V/415V, 60Hz: 440V/460V Voltage fluctuation rate should be within ±10%
Vibration and shock	2G

1.2 BASIC NAMES OF COMPONENTS



- | | |
|--|---|
| ① Compressor | ⑧ Access panel |
| ② Air-cooled condenser | ⑨ Storage space for power cable |
| ③ Receiver | ⑩ Ventilator |
| ④ Evaporator | ⑪ Sampling port (Return) (Use this port to measure the inside return air temperature.) |
| ⑤ Control box
(Outside: switch, manual defrost switch)
(Inside: circuit breaker) | ⑫ Gas sampling port
Sampling port (Supply) (This is used to measure the inside supply air temperature and inside CO ₂ concentration.) |
| ⑥ Condenser fan | ⑬ Liquid moisture indicator |
| ⑦ Drier | |

2. General description

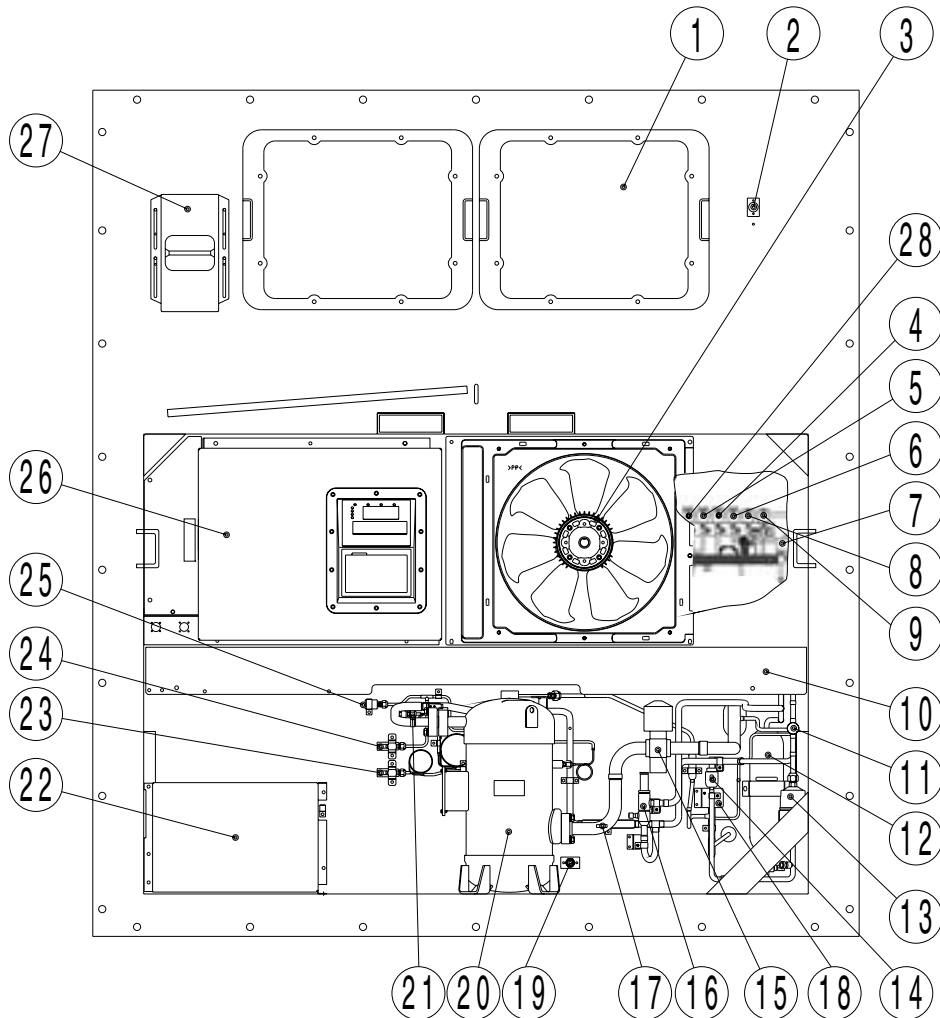
2.1 Main specifications

Item	Model	LXE10E
Condenser cooling system		Air cooled type
Controller		DECOS III d
Power supply		AC 3-phase 380V/400V/415V 50Hz, 440V/460V 60Hz
Compressor		Hermetic scroll type (Motor output: 5.5kW)
Evaporator		Cross fin coil type
Air-cooled condenser		Cross fin coil type
Evaporator fan		Propeller fan
Evaporator fan motor		Three-phase squirrel-cage induction motor
Condenser fan		Propeller fan
Condenser fan motor		Three-phase squirrel-cage induction motor
Defrosting	System	Hot-gas defrosting system
	Initiation	Dual timer, on-demand defrost and manual switch
	Termination	Detecting the temperature of evaporator outlet pipe and return air
Refrigerant flow control		Electronic expansion valve
Capacity control		Capacity control with hot gas bypass and suction modulating valve
Protective devices /Safety devices		Circuit breaker, PT/CT board (for over current protection). Compressor thermal protector Condenser fan-motor thermal protector Evaporator fan-motor thermal protector High-pressure switch, Fusible plug, Fuse (10A, 5A)
Refrigerant (charged amount)		R134a : LXE10E-A33 : 4.6 (kgf) LXE10E-A33A : 4.8 (kgf)
Refrigerant oil (charged amount)		IDEMITSU, Daphne hermetic oil FVC 46D : 2.2(ℓ)
Weight		465 (kgf)

2.2 Names of components

2.2.1 Outside

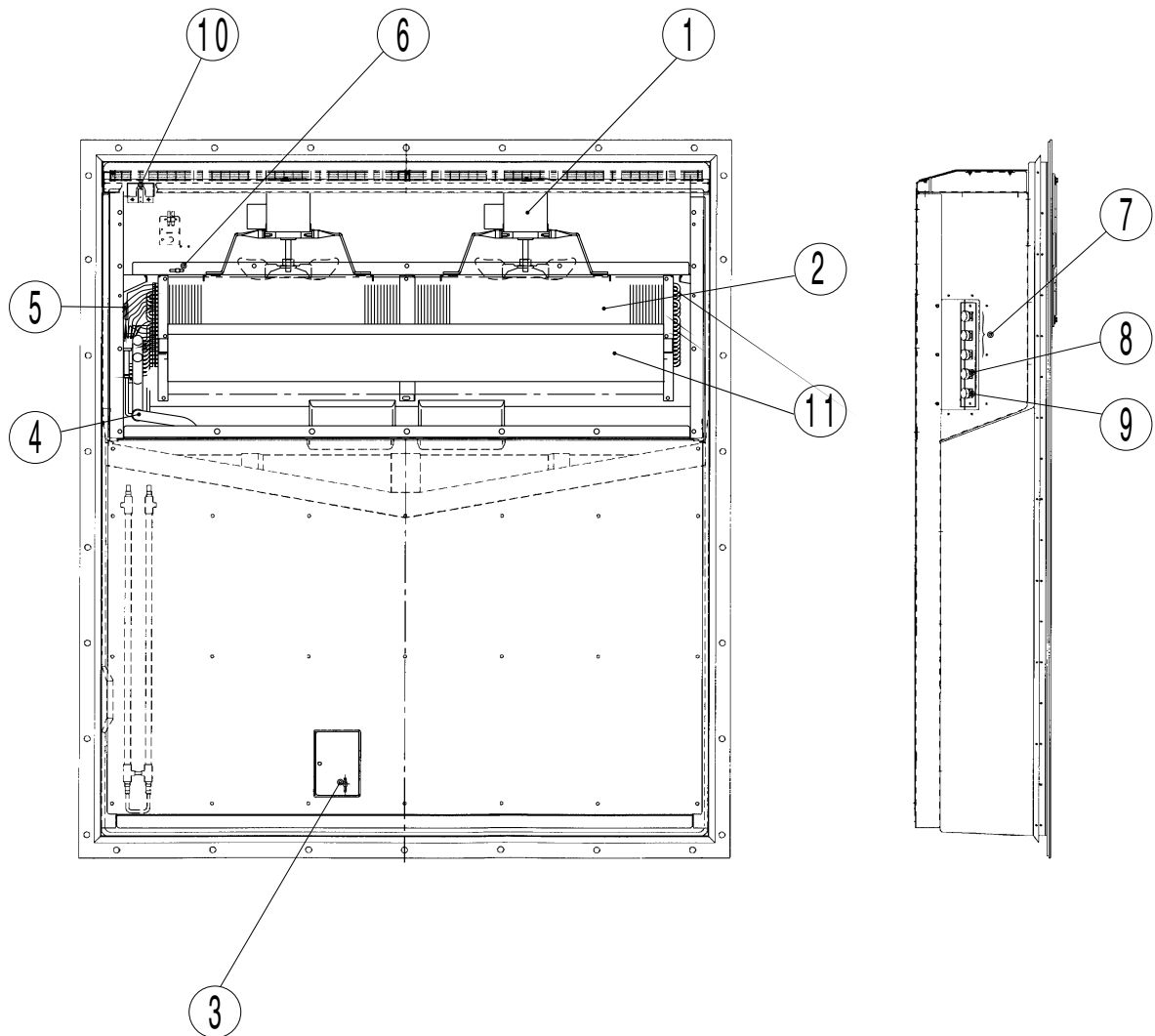
●LXE10E



- | | |
|--|--|
| ① Access panel | ⑩ Air-cooled condenser |
| ② Thermometer check port (Return air) | ⑪ Liquid/moisture indicator |
| ③ Condenser fan motor (CFM) | ⑫ Liquid receiver |
| ④ Hot-gas solenoid valve (HSV) | ⑬ Drier |
| ⑤ Defrost solenoid valve (DSV) | ⑭ Liquid solenoid valve (LSV) |
| ⑥ Discharge gas by-pass solenoid valve (BSV) | ⑮ Suction modulating valve (SMV) |
| ⑦ Electronic expansion valve (EV) | ⑯ Discharge pressure regulating valve (DPR) |
| ⑧ Economizer solenoid valve (ESV) | ⑰ Compressor suction pipe temperature sensor (SGS) |
| ⑨ Injection solenoid valve (ISV) | ⑱ Ambient temperature sensor (AMBS) |
| | ⑲ Thermometer check port (Supply air) |
| | ⑳ Compressor (MC) |
| | ㉑ Discharge pipe temperature sensor (DCHS) |
| | ㉒ Storage space for power cable |
| | ㉓ Low pressure transducer (LPT) |
| | ㉔ High pressure transducer (HPT) |
| | ㉕ High pressure switch (HPS) |
| | ㉖ Control box |
| | ㉗ Ventilator |
| | ㉘ Reheat coil solenoid valve (RSV) |

2.2.2 Inside

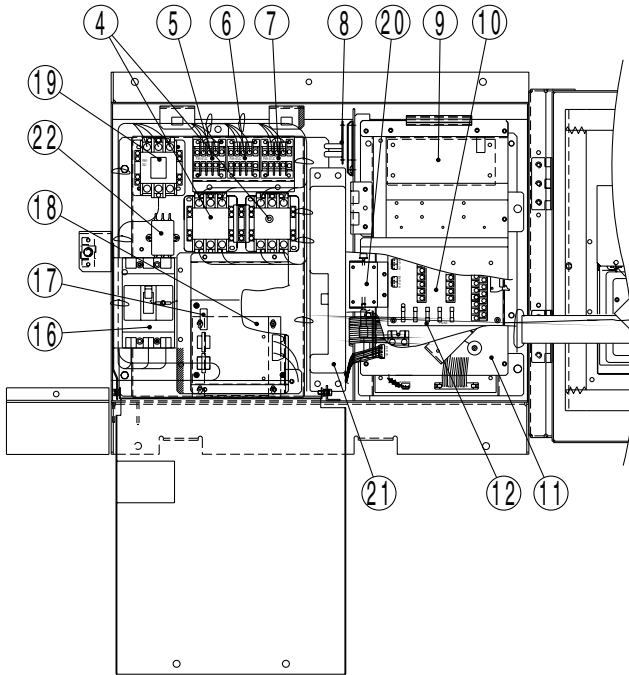
●LXE10E



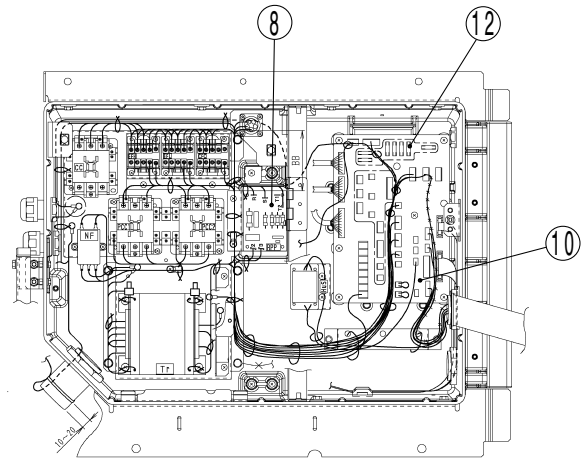
- ① Evaporator fan motor (EFM)
- ② Evaporator
- ③ Supply air temperature sensor (SS)
Data recorder supply air temperature sensor (DSS)
- ④ Evaporator outlet pipe temperature sensor (EOS)
- ⑤ Evaporator inlet pipe temperature sensor (EIS)
- ⑥ Return air temperature sensor (RS)
Data recorder return air temperature sensor (DRS)
- ⑦ USDA receptacle
- ⑧ Cargo temp. receptacles
- ⑨ P.C. Port receptacles
- ⑩ Humidity sensor
- ⑪ Reheat coil

2.2.3 Control box

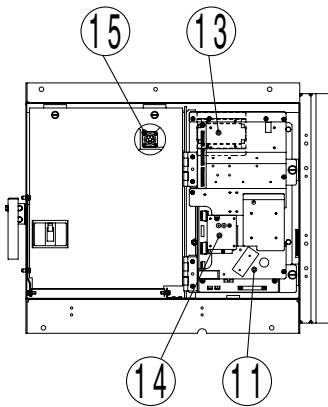
● Inside of the control box
In case of LXE10E-A33



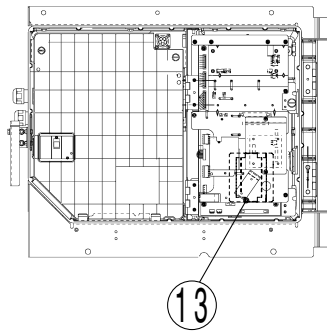
In case of LXE10E-A33A
(Same as A33 besides ⑧, ⑩, ⑫.)



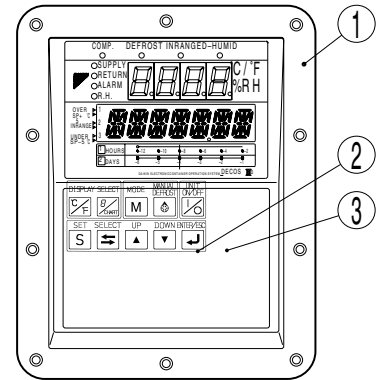
● Controller
In case of LXE10E-A33



In case of LXE10E-A33A
(Same as A33 besides ⑬.)



● Operation panel
(Outside of the control box)



- | | |
|--|--|
| ① Controller operation panel (EC3, 4) | ⑫ Fuse (Fu1-6) |
| ② MANUAL DEFROST key | ⑬ Rechargeable battery (BAT) |
| ③ UNIT ON/OFF key | ⑭ Voltage indicator |
| ④ Phase correction contactor (PCC1,2) | ⑮ Personal computer receptacle |
| ⑤ Magnetic contactor for high speed evaporator fan (EFH) | ⑯ Circuit breaker (CB) |
| ⑥ Magnetic contactor for low speed evaporator fan (EFL) | ⑰ PT/CT board |
| ⑦ Magnetic contactor condenser fan (CFC) | ⑱ Transformer (TrC), control circuit |
| ⑧ Reverse phase protection device (RPP) | ⑳ Magnetic contactor for compressor (CC) |
| ⑨ Adopter PCB (EC6) | ㉑ P.C.B for humidity sensor (HUS) |
| ⑩ Terminal block board (TB1) | ㉒ Modem (RCD) |
| ⑪ Controller CPU / IO board (EC1, 2) | ㉓ Noise filter (NF) |

2.3 Set point of functional parts and protection devices

	Device name		Actuation	Set point	Detection method	Symbol	
Pressure switch	High-pressure switch		OFF ON	2400kPa (24.47kg/cm ²) 1900kPa (19.37kg/cm ²)	High-pressure switch	HPS	
	Water pressure switch (optional)		OFF ON	98kPa (1.0kg/cm ²) 39kPa (0.4kg/cm ²)	Water pressure switch	WPS	
Electronic controller	Mode selection	Chilled mode	ON	+30.0°C ~ -10.0°C (+86.0°F ~ -14.0°F)	Set point temperature	EC	
		Frozen mode		-10.1°C ~ -30.0°C (13.82°F ~ -22.0°F)			
	Delay timer	Fan	Change-over for Hi/Lo	ON	10 seconds		
			After defrosting		60 seconds		
		Compressor	At starting		3 seconds		
	Defrosting timer	Initiation	Short	ON	4 hours ※1		
			Long		3, 6, 9, 12, 24 and 99 hours(※2)		
		Back-up		OFF	90 minutes		
		In-range masking			90 minutes ※3		
		Out-range guard		ON	30 minutes		
	Defrosting termination set point			OFF Reset	30°C (86°F) 15°C (59°F) ※4	Evaporator outlet temperature sensor Return air temperature sensor	EOS RS, DRS
	High-pressure control for Condenser fan (※Frozen only)			OFF ON	800kPa (8.2kg/cm ²) ※7 1000kPa (10.2kg/cm ²)	High-pressure transducer	HPT
	Discharge gas temperature protection set point	Pull down LPT>50kpa		OFF Reset	135°C (275°F) After 3 minutes elapsed	Discharge gas temperature sensor	DCHS
		LPT≤50kpa		OFF Reset	128°C (262°F) After 3 minutes elapsed		
	Overcurrent protection set point (Cutout)			OFF Reset	26.0A After 3 minutes elapsed	PT/CT board	CT2
Current control			Control	50Hz : 16.1A 60Hz : 17.4A	PT/CT board	CT1	
High pressure control			Control	2300 to 2350 kPa (23.5 to 24.0 kg/cm ²)	High pressure sensor	HPT	
Current	Circuit breaker		OFF	30A		CB	
	Fuse		OFF	5A, 10A ※5		Fu	
Motor	Evaporator fan motor thermal protector		OFF	132°C (270°F)			
	Condenser fan motor thermal protector		OFF	135°C (275°F)		MTP	
	Compressor motor thermal protector		OFF	140°C (284°F)		CTP	

(※1) When Return air (RS) is lower than -20°C, defrost starts every 6 hours.

(※2) When "99" hours is selected, refer to on demand defrost in 2.5.3. (TR01-09A)

(※3) When Inside set point is -20.0°C or Lower, In-range masking is 120min.

(※4) If defrost is initiated when inside temperature is out range area. (= In-range LED is not light), this condition is added to finish defrost. Refer to "Defrosting termination" in 2.5.3. (TR01-09A)

(※5) Refer to "Fuse Protection table" in 7.11. (TR01-09A)

(※7) When dehumidification is ON in dehumidification mode, the setting figure may change between 900~2100kPa automatically (Refer to "High Pressure Control" Page 2-17/TR01-09A)

2.4 OPERATION MODES AND CONTROL

The relationship between the operation mode and setting temperature is as follows.

Operation mode	Setting temperature	Control sensor	Operation description
Frozen mode	-10.1°C to -30.0°C (13.82°F to -22.0°F)	Return air temperature sensor	Compressor ON/OFF control
Chilled mode	+30.0°C to -10.0°C (+86.0°F to -14.0°F)	Supply air temperature sensor	Capacity control operation with suction modulating valve and hot-gas bypass control
Defrosting mode	-	-	Hot-gas defrosting with refrigerant metering control

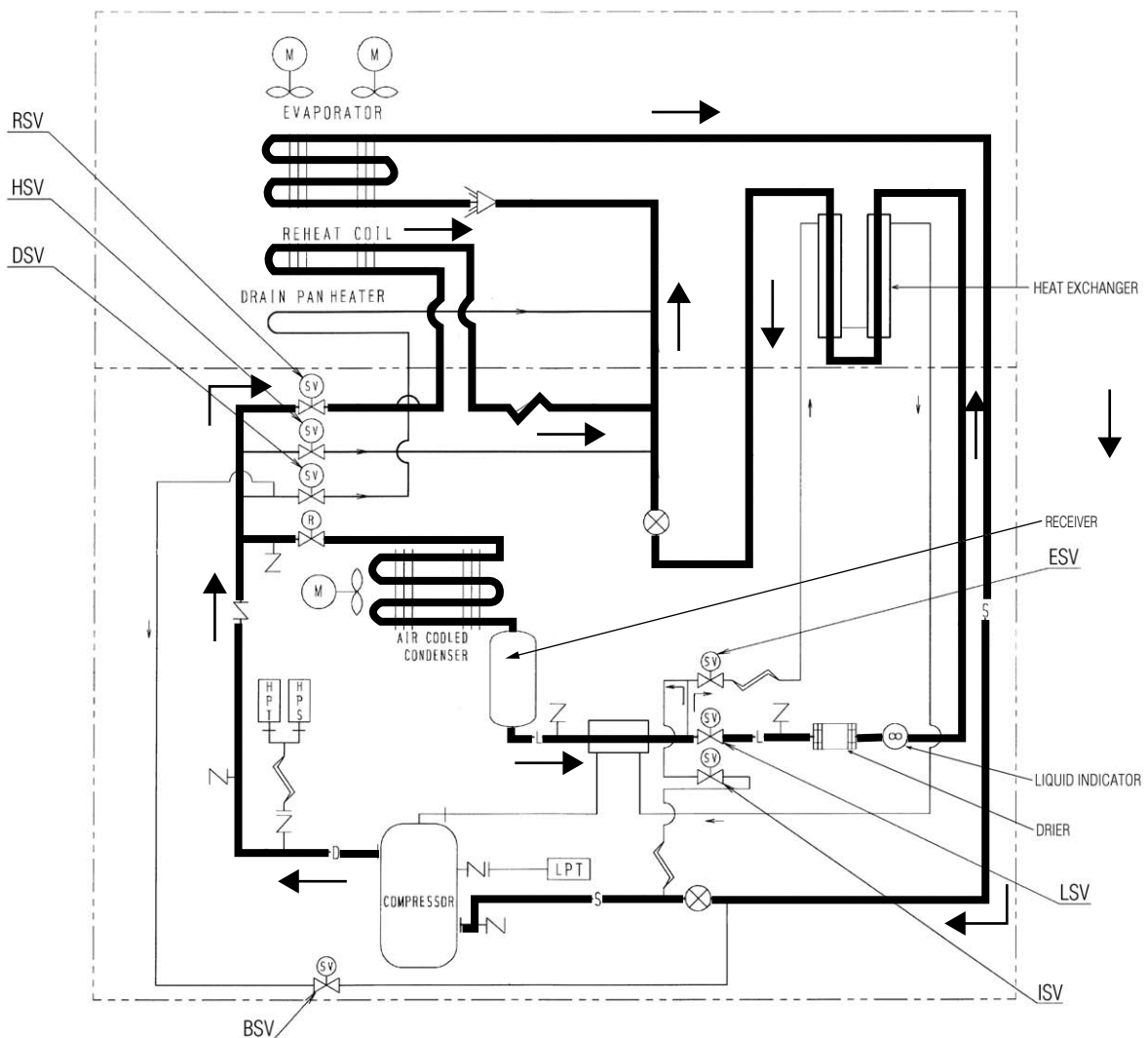
3 Dehumidification mode

The unit have dehumidification control by a reheat coil, which is under the evaporator coil. To execute dehumidification, controller setting is required. (Refer to Page 3-12)


In dehumidification, the Reheat Solenoid Valve (RSV) opens to flow high pressure and high temperature refrigerant to reheat coil. The "DEHUMID" LED lamp will light up.

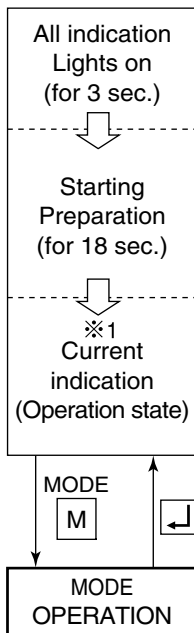
The following setting can be made:

- 1) Dehumidification range: 60–95%RH



4. Mode Operation

Press the  key in current indication mode to move to MODE operation.



In mode operation, the following settings/operations are available.

1. Generator setting

Total power consumption can be reduced to desired Max setting for the specific generators set or power facilities.

The selections are "off (No limit)", "15" "14" "13" "12" "11" KVA.

2. Automatic pump down

Pump down can be executed automatically.

(Refer to "Automatic pump down" in 4.1.3/TR01-09A)

3. Dehumidification mode setting

Dehumidification mode can be executed in this mode (M. Dehumidification mode control in 2.5.4/TR01-09A)

When "Dehumidification" is set to "on", it is possible to change the following set from default.

① Inside humidity : 60 ~95% RH

5 Alarm display and back-up function

5.1 Alarm list

Alarm grouping	Alarm code	Alarm content	Action with alarm	
Permanent stop	F101	HPS activated within 30 seconds after operation start or protection device activated 5 times at start-up operation or Fuse 1 brown (Refer Page 7-7).	Unit stops	
	F109	Low- pressure drops to-85kPa or lower within 2 seconds after operation start.	Unit stops	
	F111	HPS does not activate when it reaches to the set value.	Unit stops	
	F301	Temperature setting required (SRAM failure)	Unit stops	
	F401	Return / Supply for data / Supply air sensor malfunction (at chilled mode)	Unit stops	
	F603	Suction modulating valve (SMV) does not fully close contrary to the designation or initial setting of the controller is wrong.	Unit stops	
	F701	Abnormal high voltage (over 600V) or low voltage (under 300V)	Unit stops	
	F705	S phase became open phase	Unit stops	
	F803	Abnormalities, which make it impossible to continue operation (Note2.)	Unit stops	
Display alone or restartable alarm	Protection device activation	E101	High-pressure switch activated during normal operation.	Restart after 3-minute
		E103	CTP or electronic OC activated during normal operation.	Restart after 3-minute
		E105	Micro processor OC activated during normal operation.	Restart after 3-minute
		E107	DCHS became abnormal high temperature during operation. In the event the refrigerant circulation rate is low, the unit will stand by for three minutes to restart then.	Restart after 3-minute If this error occurs two times, F803 error will be detected to stop the unit.
		E109	Low pressure drops to-90kPa or lower for 2 seconds or longer successively during normal operation.	Restart after 3-minute
	Control error	E201	Pump down is not completed within 90 seconds.	Only alarm display
		E203	Overcool protection activates in the chilled. (Control temperature \leq SP-3°C or for 3 minutes)	Restart after 3-minutes
		E205	Evaporator for motor failure (Note 2)	Only alarm display
		E207	Defrosting is not completed within 90 minutes	Only alarm display
	Printed-circuit board failure	E303	Humidity setting required (SRAM failure)	Only alarm display
		E305	Defrost timer setting required (SRAM failure)	Only alarm display
		E307	Calendar setting required (SRAM failure)	Only alarm display
		E311	Trip-start setting required (SRAM failure)	Only alarm display
		E315	PT/CT board failure	Restart after 3-minutes
	Sensor alarm	E401	Supply air temperature sensor (SS) malfunction	Back-up operation
		E402	Data recorder supply air temperature sensor (DSS) malfunction	Back-up operation
		E403	Return air temperature sensor (RS) malfunction	Back-up operation
		E404	Data recorder return air temperature sensor (DRS) malfunction	Back-up operation
E405		Discharge air temperature sensor (DCHS) malfunction	Only alarm display	
E406		Suction gas temperature sensor (SGS) malfunction	Back-up operation	
E407		Evaporator inlet temperature sensor (EIS) malfunction	Back-up operation	
E409		Evaporator outlet sensor (EOS) malfunction	Back-up operation	
E411		Ambient sensor (AMBS) malfunction	Only alarm display	
E413		Low pressure transducer (LPT) malfunction	Back-up operation	
E415		High pressure transducer (HPT) malfunction	Back-up operation	
E417		Voltage sensor (PT1) malfunction	Only alarm display	
E421		Current sensor (CT1) malfunction	Only alarm display	
E423		Current sensor (CT2) malfunction	Restart after 3-minutes	
E425		Pulp temperature sensor (USDA1) malfunction	Only alarm display	
E427		Pulp temperature sensor (USDA2) malfunction	Only alarm display	
E429		Pulp temperature sensor (USDA3) malfunction	Only alarm display	
E431	Humidity sensor (HuS) malfunction	Only alarm display		
E433	Cargo temperature sensor (CTS) or box temperature sensor (CBS) malfunction	Only alarm display		
Electronic functional part alarm	E603	Suction modulating valve (SMV) malfunction or driver malfunction	Back-up operation	
	E607	MDS (sheet key) malfunction	Only alarm display	
Power supply alarm	E707	Momentary power failure	Restart after 3-minutes	
Other alarm	E801	Backup battery replacement date exceeded	Only alarm display	

- Note 1) The alarm LED does not blink when E code alarm is generated.
To check if any alarm generates, use alarm indication function in the section "1. Current indication mode" of "3.3.2 Mode operation procedure."
- 2) In the event error E101, E103, E107, or E109 occurs 10 times, the system will go to 4-hour standby mode.
When both evaporators have malfunctioned, the unit stops.
- 3) In case of sensor malfunction, the judgment for sensor malfunction does not perform for 3 minutes before the pressure or temperature reaches to the specified value.

6 Battery

6.1 Specifications

Controller can use Rechargeable batteries.

The battery is positioned on CPU & I/O box in controller box.

Rechargeable: DAIKIN original rechargeable battery

6.2 Function

This battery is used without main power supply for the following functions.

1) Display wake up (Refer to chapter 3.3.2) page 3-11.

Setting/Display the following items on the LCD display.

<Display>

Temperature on the return air sensor

Temperature on the supply air sensor

<Setting change>

Inside temperature, defrosting interval, dehumidifying set, Unit ON/OFF

2) USDA data log

USDA sensors data log every 1 hour

6.3 Battery check

Rechargeable battery: Press "Battery check meter"

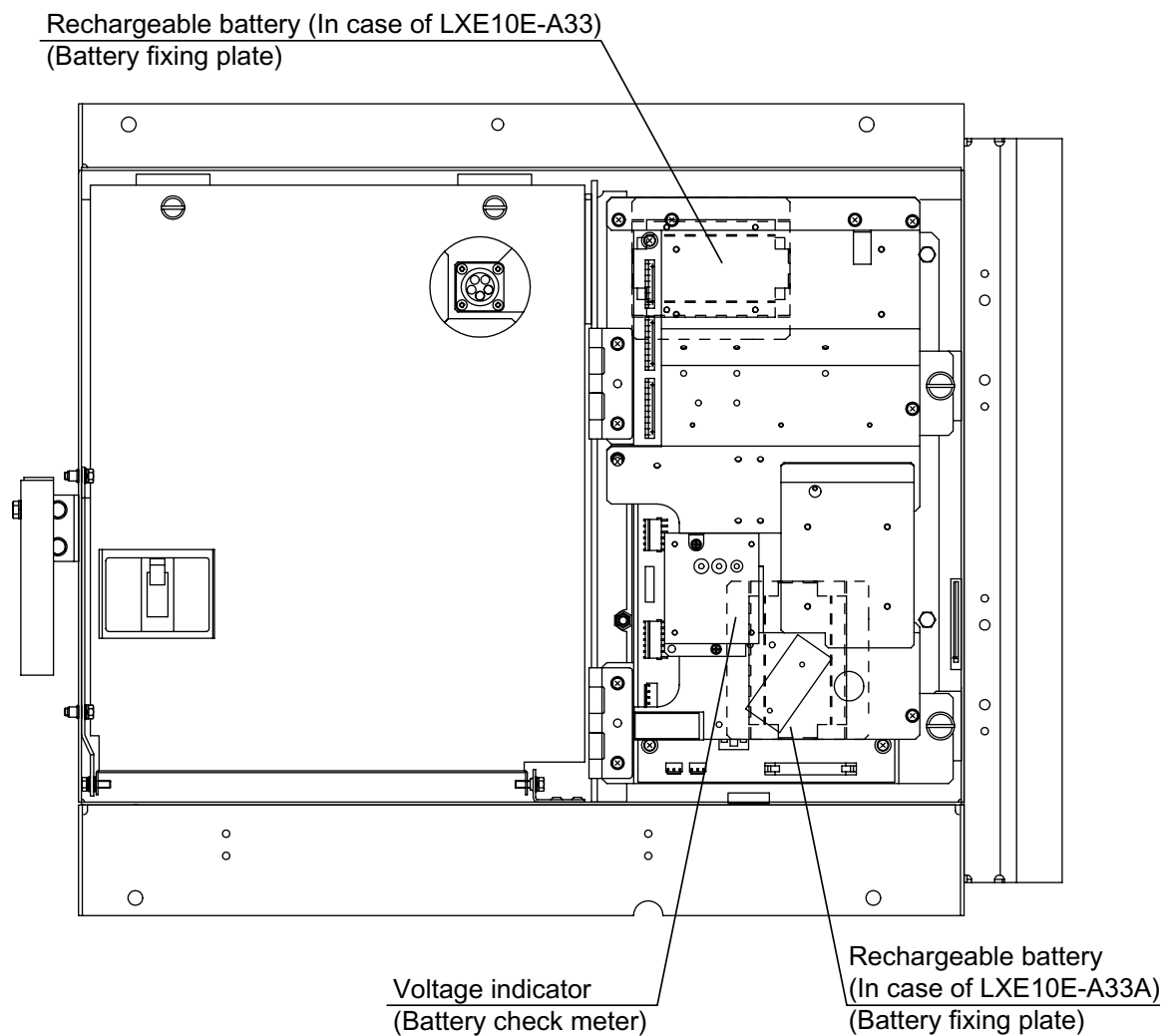
Green: Battery is charged.

Red: Charge the battery.

No light: Charge or replace the battery.

6.4 Battery replacement (Rechargeable battery)

Detach the cover of battery and replace the battery



8 Electronic expansion valve

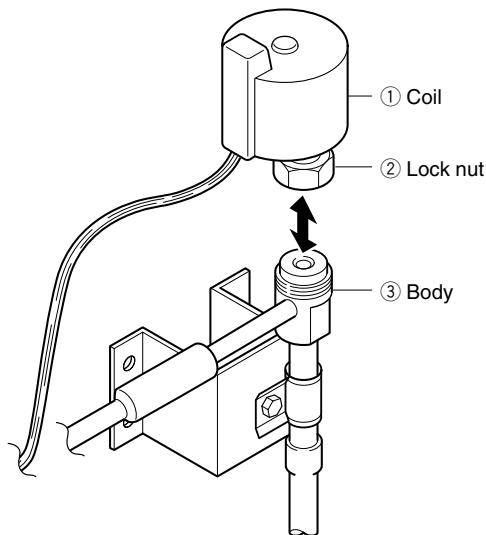
- Model Coil : EBM-MD12MD-30
Body : EDM-B804DM-1

This unit adopts an electronic expansion valve. The electronic expansion valve controls the optimum refrigerant flow rate automatically, using the temperature sensor at the evaporator inlet and outlet pipes.

In case of emergency including controller malfunctions, refer to the chapter of troubleshooting, section 6.5, Emergency operation.

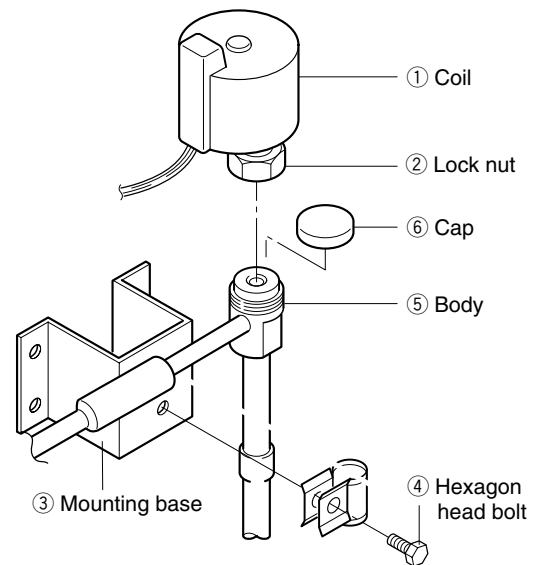
(1) Replacing the coil

- ① Loosen the lock nut, then remove the coil from the body.
- ② Install a new coil. The tightening torque for installation is 6.9 to 16.7 N · m (70 to 170 kgf · cm).
- ③ Restore the binding bands and the lead wire into the original state.
- ④ After replacing, carry out refrigerant leakage check, and make sure that there are no leaks.

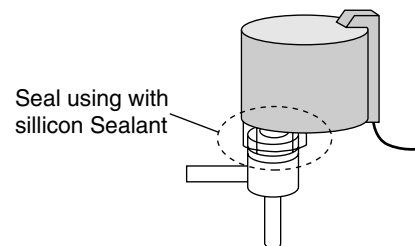


(2) Replacing the body

- ① Loosen the lock nut, then remove the coil.
- ② Remove the hexagonal head bolts, and cut the pipe on the body, then remove remaining pipes from brazing parts.
- ③ Connect a new body to the pipes. Be sure to conduct brazing work while cooling the body below 120°C (248°F) by using wet cloths.
- ④ Fix the body to the mounting base.
- ⑤ Remove the cap, and mount the coil with the tightening torque of 6.9 to 16.7 N · m (70 to 170 kgf · cm).
- ⑥ After replacing, carry out refrigerant leakage check, and make sure that there are no leaks.

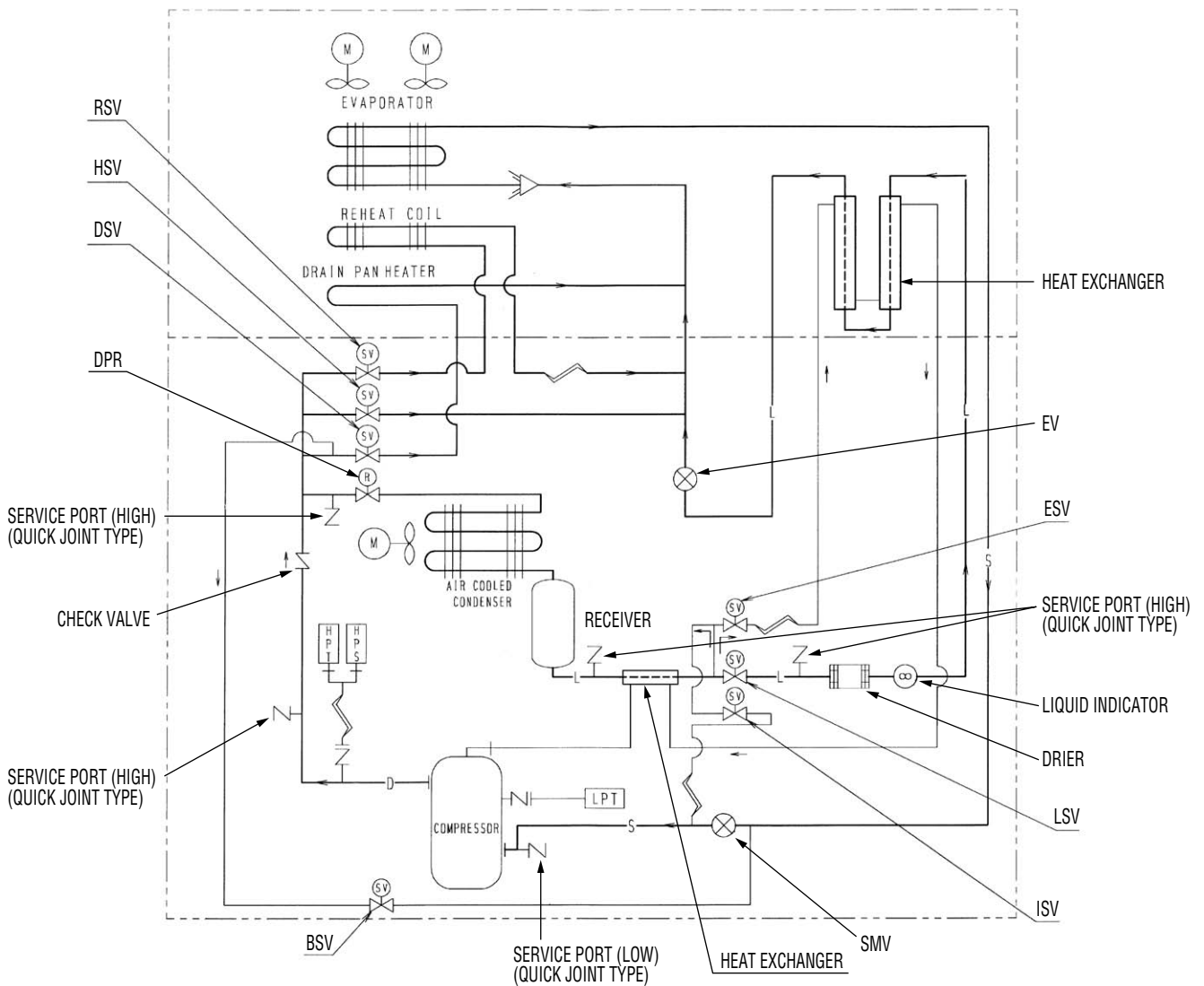


- ⑦ Apply a silicon sealant to the lock nut section.



9. APPENDIX

9.1 Piping diagram



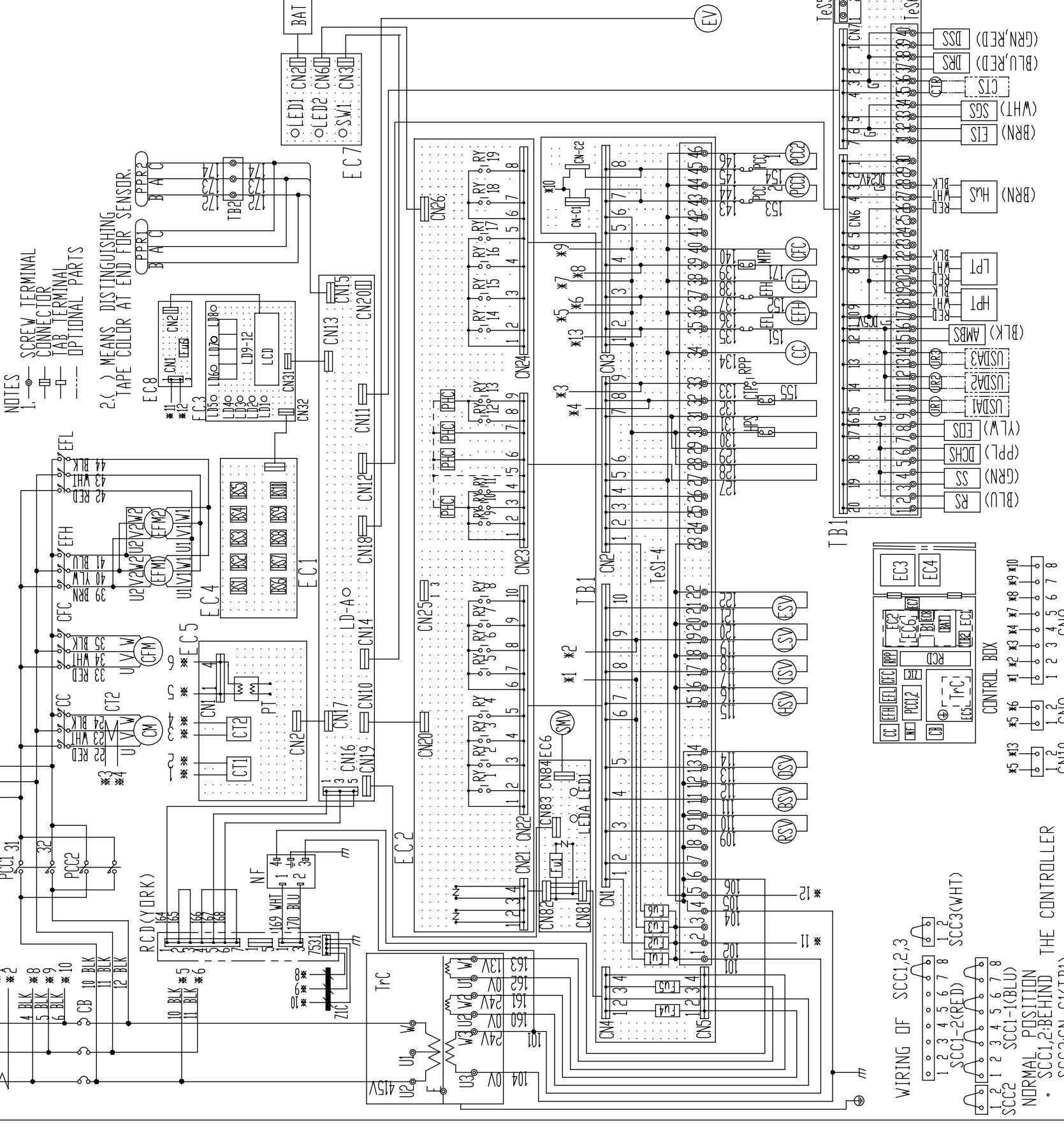
- | | | |
|-------------------------------|---|----------------------------------|
| EV:Electronic Expansion Valve | SMV:Suction Modulation Valve | DPR:Discharge pressure regulator |
| LSV:Liquid Solenoid Valve | HSV:Hot Gas Solenoid Valve | |
| DSV:Defrost Solenoid Valve | ISV:Injection Solenoid Valve | |
| ESV:Economizer Solenoid Valve | BSV:Discharge Gas Bypass Solenoid Valve | |

9.2 Schematic wiring diagram (LXE10E-A33)

CONTAINER REFRIGERATION UNIT WIRING DIAGRAM

CAUTION
 1. DO NOT APPLY INSULATION TEST ON THE CIRCUIT (ON WIRE No.100 AND AFTER) AND THE REMOTE COMMUNICATION DEVICE.

注意
 1. 操作回路(線番号100以降)およびリモートコミュニケーションデバイスには絶縁試験を行わないこと。

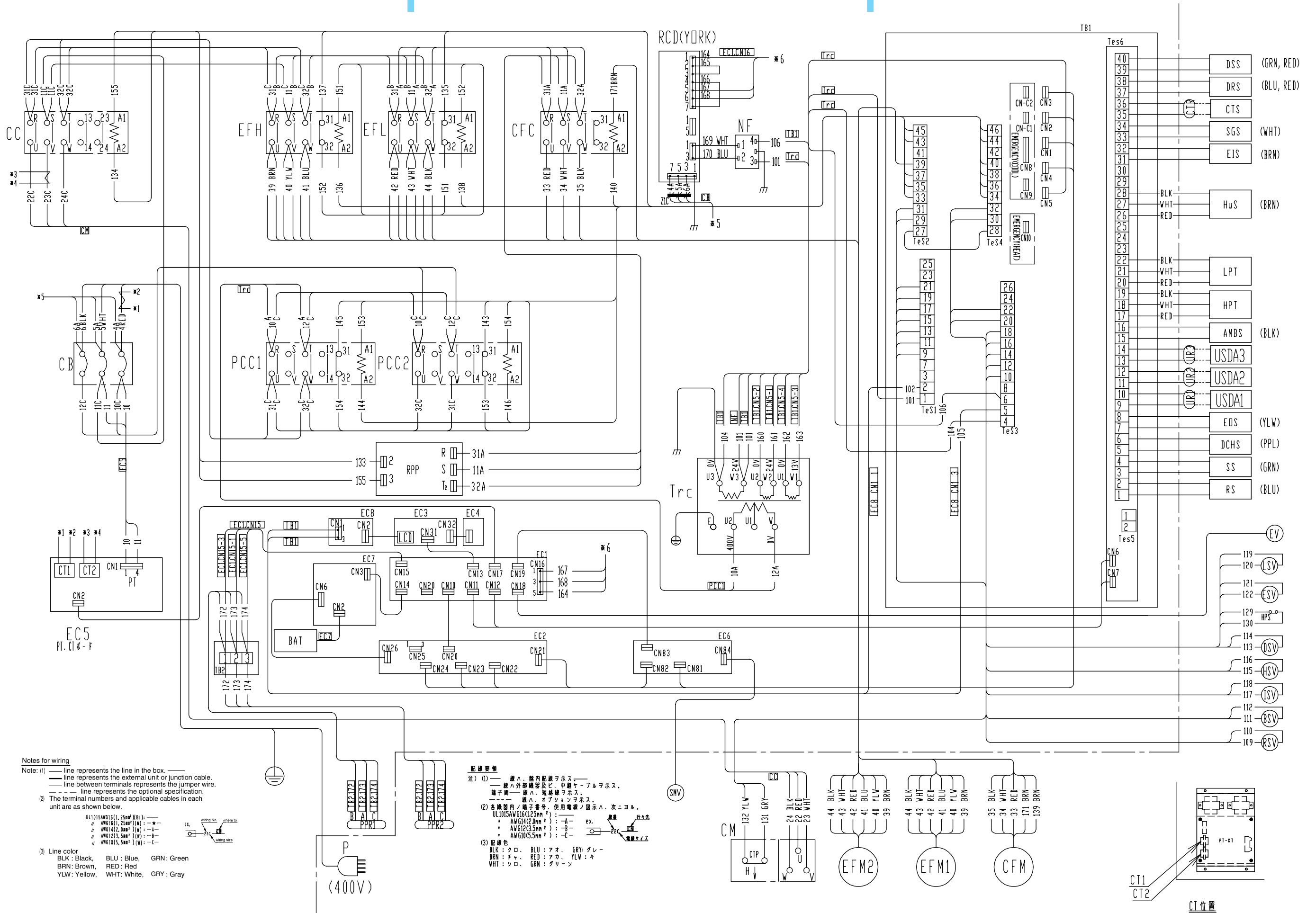


NOTES
 1. SCREW TERMINAL CONNECTOR
 2. LAB TERMINAL
 3. OPTIONAL PARTS
 2() MEANS DISTINGUISHING TAPE COLOR AT END FOR SENSOR.

WIRING OF THE CONTROLLER
 NORMAL POSITION
 • SCC1,2:BEHIND
 • SCC3:CN-C1(TB1)

Symbol	Component Name	Color	Terminal	Component Name	Color	Terminal
AMBS	AMBIENT TEMP. SENSOR	(BLU)	RS	LD4	LIGHT-EMITTING DIODE (SUPPLY)	RY1-19
BAT	BATTERY	(GRN,RED)	BSS	LD5	LIGHT-EMITTING DIODE (COMP)	SCC1-1,2
BSV	GAS BYPASS SOLENOID VALVE	(BLU,RED)	BRS	LD6	LIGHT-EMITTING DIODE (REFRIST)	SCC2
BSV-10	PUSH BUTTON SWITCH	(WHT)	SSS	LD7	LIGHT-EMITTING DIODE (IN RANGE)	SCC3
CB	CIRCUIT BREAKER (30A)	(GRN)	SS	LD8	LIGHT-EMITTING DIODE (IE-HUMID)	SSS
CC	COMPRESSOR CONTACTOR	(BLU)	RS	LD9-12	LIGHT-EMITTING DIODE	SNV
CFC	CONDENSER FAN CONTACTOR	(BLK)	AMBS	LEDA	SERVICE MONITOR-GREEN (EG6)	SS
CFM	CONDENSER FAN MOTOR	(BRN)	HP	LED1	LIGHT-EMITTING DIODE (EC6)	SW1
CM	COMPRESSOR MOTOR	(BRN)	HS	LED2	BATTERY INDICATOR (EC7)	TBI,2
C1,2	CURRENT TRANSFORMER	(GRN)	SS	LPT	LOW PRESSURE TRANSDUCER	TRC
C1P	COMPRESSOR THERMAL PROTECTOR	(PL)	DCHS	LSV	LIQUID SOLENOID VALVE	UR1-3
CTR	CARGO TEMP. RECEPTACLE	(GRN)	SS	MTP	COND. MOTOR THERMAL PROTECTOR	ZIC
DCHS	COMPRESSOR DISCHARGE SENSOR	(PL)	DCHS	NF	NOISE FILTER	
DRS	DATA RECORDER RETURN AIR SENSOR	(GRN)	EFS	P	POWER PLUG	
DSS	DATA RECORDER SUPPLY AIR SENSOR	(PL)	DCHS	PCC1,2	PHASE CORRECTION CONTACTOR	
DVS	DEFROST SOLENOID VALVE	(GRN)	SS	PHC	PHOTO COUPLER	
ECL	CPU BOARD (OECUS)	(BLK)	AMBS	PHC	PHOTO COUPLER	
EC2	I/O BOARD (OECUS)	(BLK)	AMBS	PPR1,2	PC PORT RECEPTACLE	
EC3	DISPLAY BOARD (OECUS)	(BLK)	AMBS	PT	POTENTIAL TRANSFORMER	
EC4	SHEET KEY (OECUS)	(BLK)	AMBS	RPP	REVERSE PHASE PROTECTOR	
EC5	PRINTED CIRCUIT BOARD (PTCT)	(BLK)	AMBS	RS	RETURN AIR SENSOR	
EC6	ADAPTER BOARD	(BLK)	AMBS	RSV	REHEAT COIL SOLENOID VALVE	

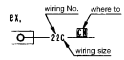
9.3 Stereoscopic wiring diagram (LXE10E-A33)



Notes for wiring

- Note: (1) — line represents the line in the box. — line represents the external unit or junction cable. — line between terminals represents the jumper wire. - - - line represents the optional specification.
 (2) The terminal numbers and applicable cables in each unit are as shown below.

UL1015AWG16(1.25mm²)(W): —
 # AWG16(1.25mm²)(W): —★
 # AWG14(2.0mm²)(W): —▲
 # AWG12(3.5mm²)(W): —●
 # AWG10(5.5mm²)(W): —○

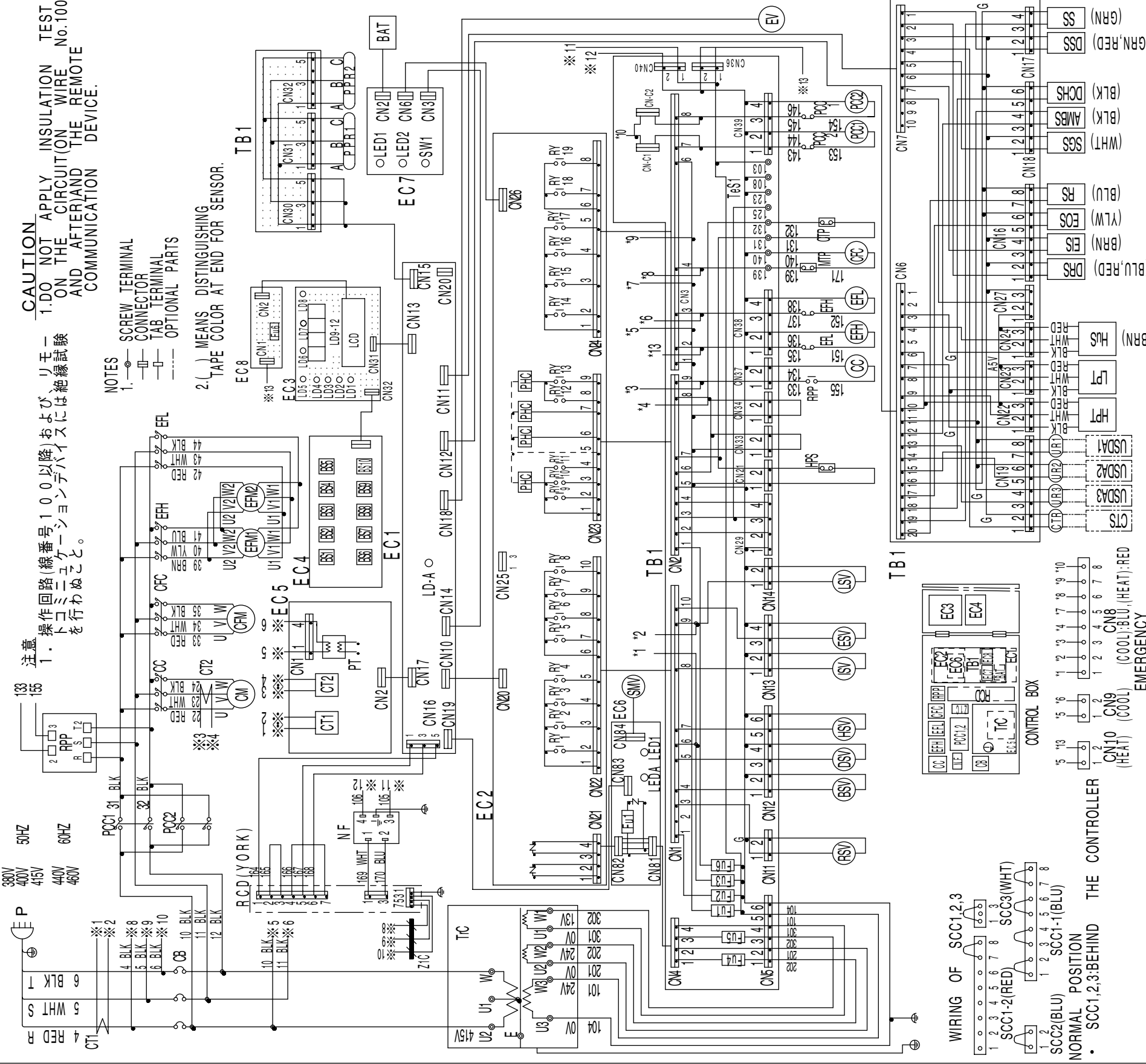


配線要領

- 注) (1) — 線ハ、箱内配線ヲ示ス。 — 線ハ、箱外配線及ク中継ケーブルヲ示ス。
 — 線ハ、端子間ノ短絡線ヲ示ス。
 - - - 線ハ、オプションヲ示ス。
 (2) 各機器内ノ端子番号、使用電線ノ図示ハ、次ニヨル。
 UL1015AWG16(1.25mm²): —
 # AWG14(2.0mm²): —★
 # AWG12(3.5mm²): —▲
 # AWG10(5.5mm²): —●
- (3) 配線色
 BLK:クロ、 BLU:フオ、 GRN:グレー
 BRN:ブラウン、 RED:アカ、 YLW:★
 WHT:シロ、 GRN:グリーン

9.2 Schematic wiring diagram (LXE10E-A33A)

CONTAINER REFRIGERATION UNIT WIRING DIAGRAM

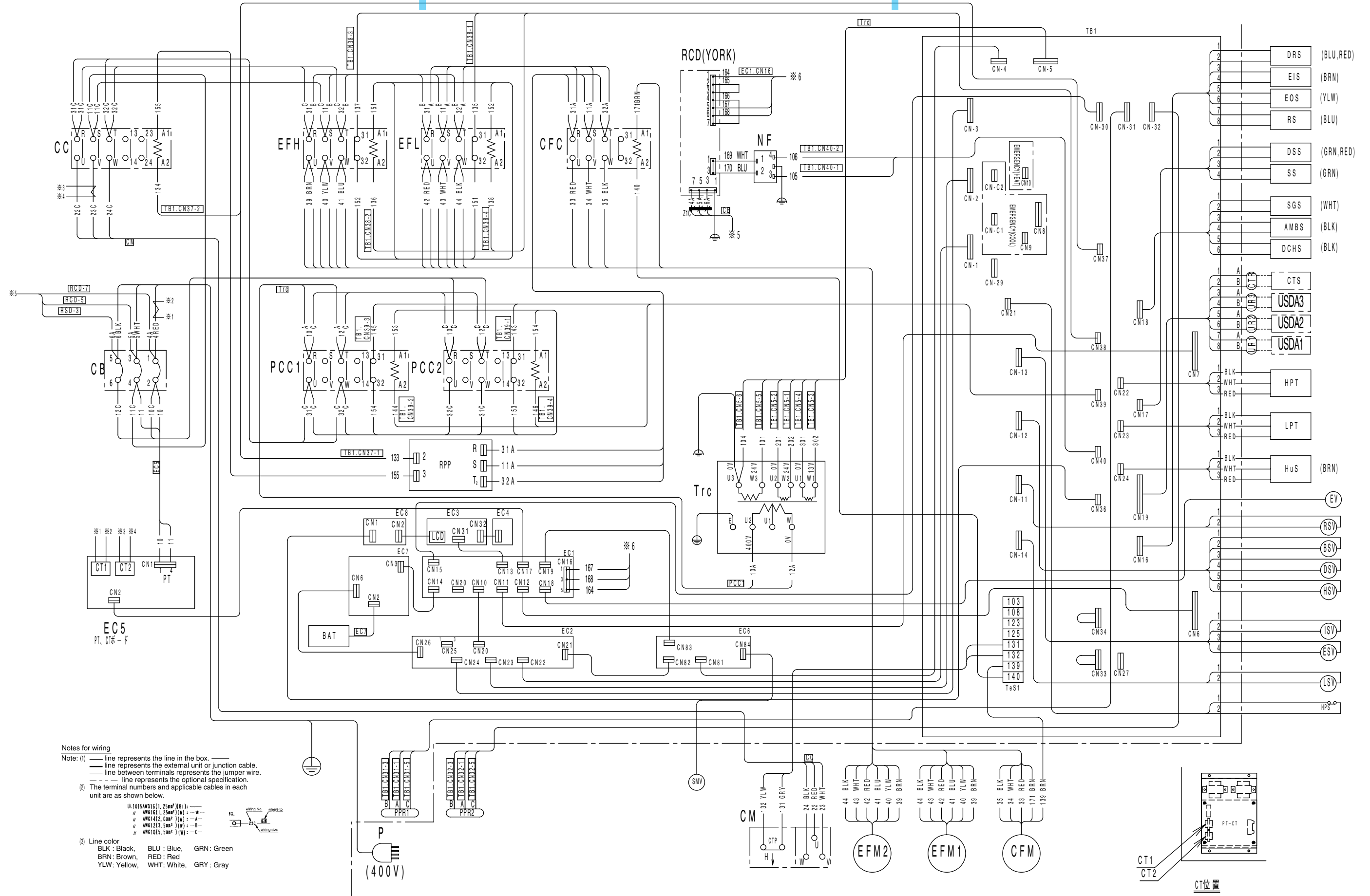


AMBS	AMBIENT TEMP. SENSOR	EC7	POWER SUPPLY BOARD	LD4	LIGHT-EMITTING DIODE (SUPPLY)	RY-19	RELAY
BAT	BATTERY	EC8	BACK LIGHT POWER BOARD (DECOS)	LD5	LIGHT-EMITTING DIODE (COMP)	SCC1-1,2	SHORT CIRCUIT CONNECTOR
BSV	GAS BYPASS SOLENOID VALVE	EFH	HIGH SPEED EVAPORATOR FAN CONTACTOR	LD6	LIGHT-EMITTING DIODE (DEFROST)	SCC2	SHORT CIRCUIT CONNECTOR
BS1-10	PUSH BUTTON SWITCH	EFL	LOW SPEED EVAPORATOR FAN CONTACTOR	LD7	LIGHT-EMITTING DIODE (IN RANGE)	SCC3	SHORT CIRCUIT CONNECTOR
CB	CIRCUIT BREAKER (3A)	ERM1/2	EVAPORATOR FAN MOTOR	LD8	LIGHT-EMITTING DIODE (DE-HUMID)	SCS	SUCTION GAS SENSOR
CC	COMPRESSOR CONTACTOR	ES	EVAPORATOR INLET SENSOR	LD9-12	LIGHT-EMITTING DIODE	SNV	SUCTION MODULATING VALVE
CEC	CONDENSER FAN CONTACTOR	ESV	EVAPORATOR OUTLET SENSOR	LEDA	SERVICE MONITOR (GREEN/EC6)	SS	SUPPLY AIR SENSOR
CFM	CONDENSER FAN MOTOR	ESV	ECONOMIZER SOLENOID VALVE	LED1	LIGHT-EMITTING DIODE (EC6)	SW1	SWITCH (BATTERY LEVEL INDICATOR)
CM	COMPRESSOR MOTOR	EV	ELECTRONIC EXPANSION VALVE	LED2	BATTERY INDICATOR (EC7)	TB1	TERMINAL BOARD
CT1,2	CURRENT TRANSFORMER	Fu1-6	FUSE (B) (250V/10A/TB1)	LPT	BATTERY INDICATOR (EC7)	TIC	CONTROL TRANSFORMER
CTP	COMPRESSOR THERMAL PROTECTOR	Fu1	FUSE (B) (250V/5A/EC6)	LSV	LIQUID SOLENOID VALVE	UR1-13	USA RECEPTACLE
CTR	CARGO TEMP. RECEPTACLE	Fu6	FUSE (B) (250V/1A/EC8)	MTP	COND. MOTOR THERMAL PROTECTOR	Z1C	FERRITE CORE
DCHS	COMPRESSOR DISCHARGE SENSOR	HPS	HIGH PRESSURE SWITCH	NF	NOISE FILTER		OPTIONAL SPECIFICATION
DRS	DATA RECORDER RETURN AIR SENSOR	HPT	HIGH PRESSURE TRANSDUCER	P	POWER PLUG	CTS	CARGO TEMP. SENSOR
DSS	DEFROST SOLENOID VALVE	HSV	HOT GAS SOLENOID VALVE	PCG12	PHASE CORRECTION CONTACTOR	PCD	REMOTE COMMUNICATION DEVICE (WORK)
DSV	DATA RECORDER SUPPLY AIR SENSOR	HUS	HUMIDITY SENSOR	PHC	PHOTO COUPLER	USDA1-3	USA SENSOR
EC1	CPU BOARD (DECOS)	ISV	INJECTION SOLENOID VALVE	PPR12	PC-PORT RECEPTACLE		
EC2	IO BOARD (DECOS)	LCD	LIQUID CRYSTAL DISPLAY	PT	POTENTIAL TRANSFORMER		
EC3	DISPLAY BOARD (DECOS)	LDA	SERVICE MONITOR (GREEN/EC1)	PPR	REVERSE PHASE PROTECTOR		
EC4	SHEET KEY (DECOS)	LD1	LIGHT-EMITTING DIODE (R.H.)	RSV	RETURN AIR SENSOR		
EC5	PRINTED CIRCUIT BOARD (PT/CT)	LD2	LIGHT-EMITTING DIODE (ALARM)		REPEAT COIL SOLENOID VALVE		
EC6	ADAPTER BOARD	LD3	LIGHT-EMITTING DIODE (RETURN)				

LXE10E-A33

2 D 0 5 6 7 9 1 - 1

9.3 Stereoscopic wiring diagram (LXE10E-A33A)



ORDERING INSTRUCTIONS

The parts list contains the parts of the DAIKIN Marine Type Container Refrigeration Units. Please read the following items before using the list.

1. When ordering the parts, be sure to specify the model No., the name of part and the type of part. When ordering the parts for which no parts NO. is shown in the PARTS NO. column, be sure to describe DWG.NO..
2. The list shows the parts only for replacement or repairing at the job site. Certain parts require a production lead time or are supplied as a set, so please contact with the nearest DAIKIN PARTS CENTRE.

3. Index symbols;

Meaning of the ranking A,B and C are as follows;

A. The most important spare parts

1. The parts whose malfunction cause fatal damage to the unit.
2. The parts with high risk of malfunction.
3. The parts that are worn out after an extended service period.

B. The important spare parts next to A, but the risk of malfunction is not so high.

C. The parts with low risk of malfunction, but recommendable to stock to cope with damage during handling of container box and long delivery time, etc.

The parts without A, B and C mark is the parts whose necessity is not so high under normal operation.

パーツリスト使用上の注意

このパーツリストはダイキン海上コンテナ冷凍装置の部品を集録してあります。パーツリスト使用にあたっては、必ず次の注意事項をご一読の上使用していただくようお願いいたします。

1. 部品のご注文の際は機種名、部品番号、および部品名、形式を必ずご指定ください。
なお、部品番号欄が空白になっている部品は、図面番号で指示願います。
2. 掲載部品の範囲は、あくまでも現地にて分解修理できるところまで記載しております。
一部部品につき納期のかかるものおよびセット単位となるものもありますので、お近くのダイキンパーツセンター又はサービスステーションに相談願います。

3. INDEXの説明

INDEXのA、B、Cの意味は下記の通りです。

A. 最も重要な部品

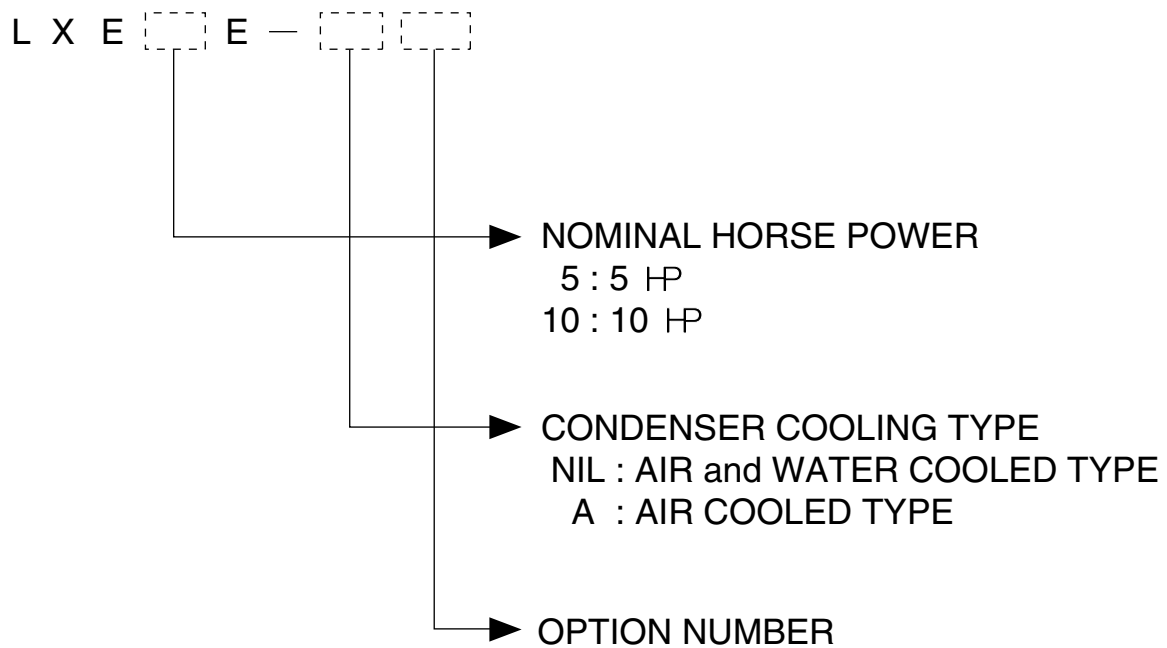
1. 故障した場合に最も重大な損害を与えると思われる部品
2. 故障の確率が高いと思われる部品
3. 長期の使用で摩耗して使用できなくなる部品

B. 故障発生の確率は高くはないが、Aについて重要な部品

C. 故障発生の確率は低いですが、コンテナボックスの運搬中の事故や、部品の納期が長期になるとと思われる等の理由で、在庫をお勧めする部品

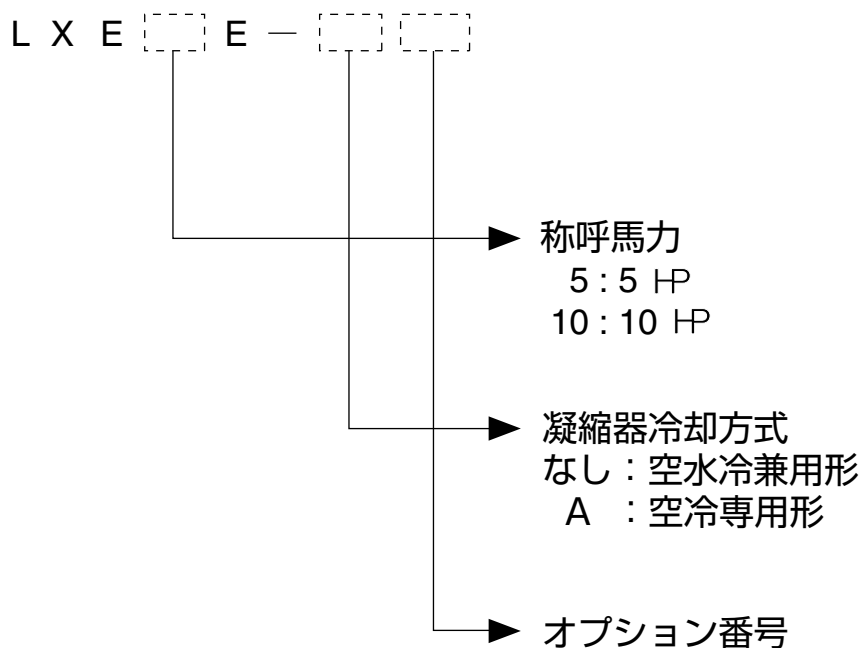
A,B,Cマークの無い部品は、通常の運転では必要性は高くない部品です。

Denomination of Model Name



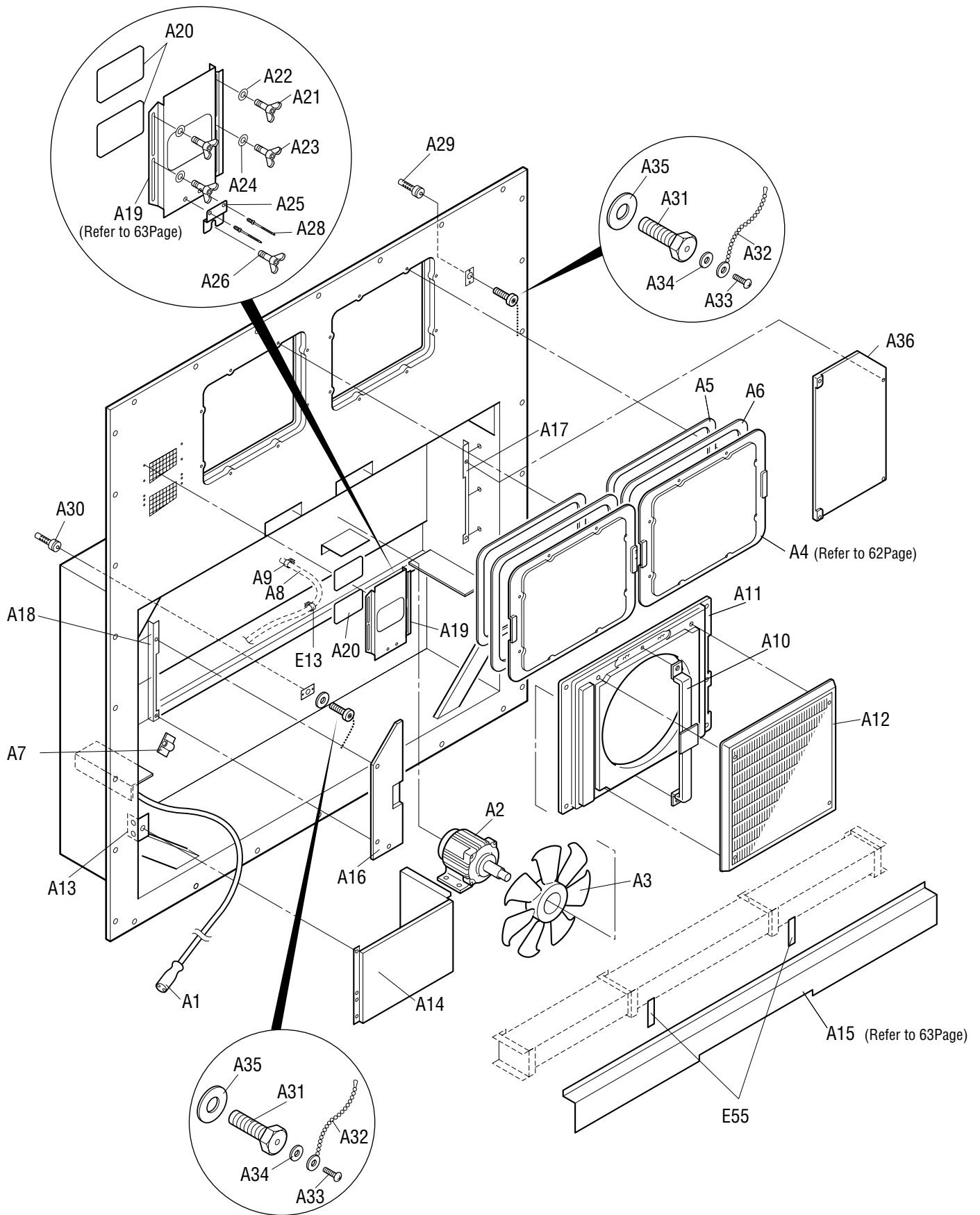
Note) "R" GIVEN AFTER OPTION NUMBER STANDS FOR "REVISION" AND IT IS GIVEN FOR THE UNIT WHICH IS SPECIALLY MODIFIED.

機種名について



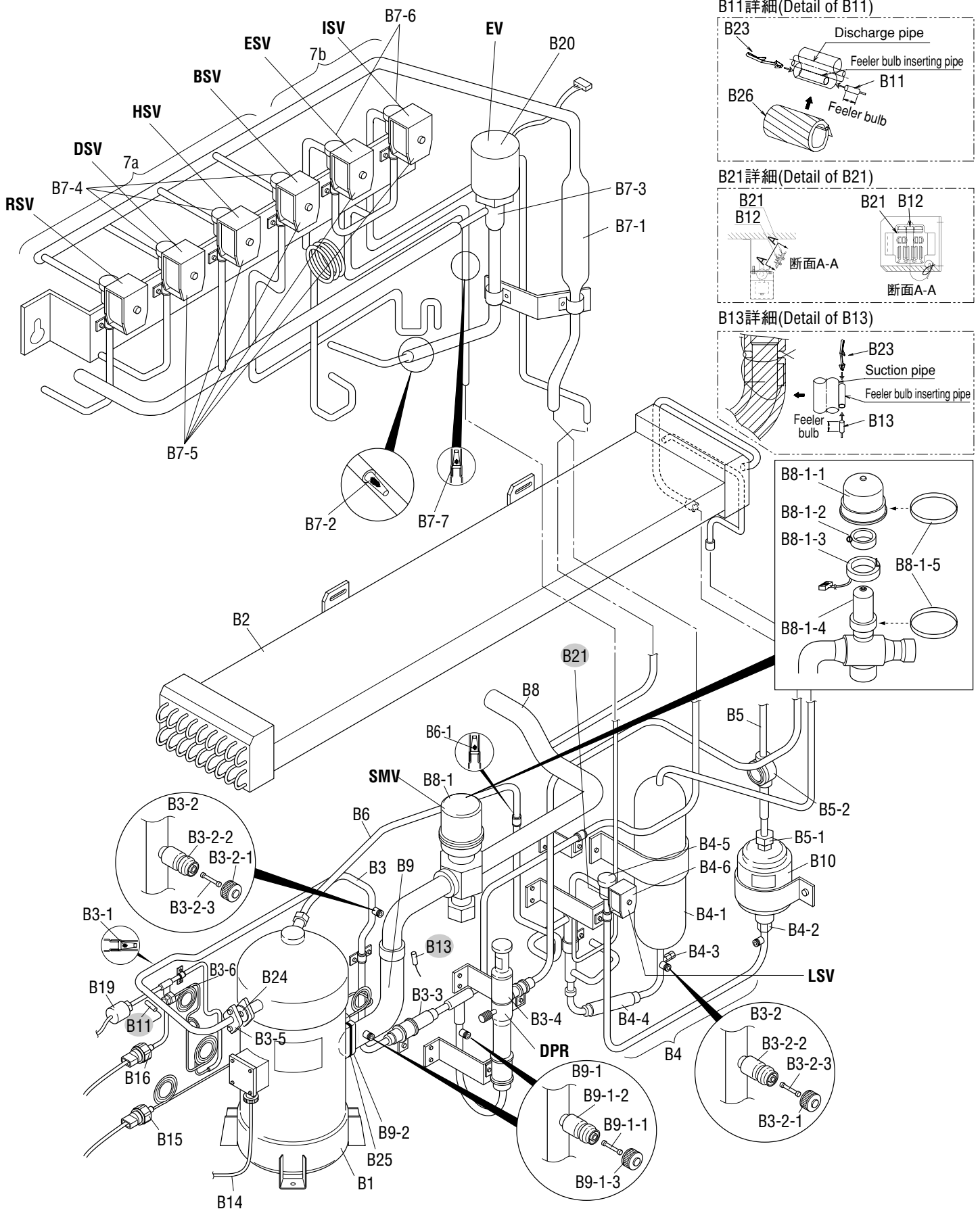
注) オプション番号の後に R がつく機種は、改造機で、特別な仕様が加えられていることを意味します。

A. Parts related with the unit(outside)	24
庫外関連部品	
B. Parts related with refrigerant piping(outside)	28
庫外冷媒配管関連部品	
C. Parts related with the unit(inside)	32
庫内関連部品	
D. Parts related with refrigerant piping(inside)	36
庫内冷媒配管関連部品	
E. Other parts(Pipe clamp, sealing and insulation material etc.)	38
その他部品 (配管固定具、シール材、防熱材等)	
F. Control box	46
コントローラボックス	
G. Parts related with name plate	54
銘板関連	
I. Parts related with option 1 – USDA	56
オプション関連部品 1 - USDA関連	
J. Parts related with option 2 – MODEM	57
オプション関連部品 2 - モデム	
K. Parts related with option 3 – Others	58
オプション関連部品 3 - その他	
L. List of size for standard pipe clamp	60
配管固定具サイズ表	
1. Resin clamp 樹脂バンド	
2. Tube clamp 管止金	
3. Cushion rubber for pipe clamp 管止金用緩衝ゴム	
M. Notes for ordering spare parts	62
部品発注の際の注意事項	
1. Parts recommended to be ordered together with packing, gasket, sealing material and name plate 発注の際にパッキングやシール材、銘板等の同時発注を推奨する部品	
2. Order for motorized valve, solenoid valve and pressure regulating valve 電動弁・電磁弁・圧力調整弁の発注	
3. Order for pressure transducer 圧力センサーの発注	
4. Order for temperature sensor 温度センサーの発注	
N. Measuring and adjusting tools	67
測定調整用工具	
1. Tools for emergency operation 緊急運転用工具	
2. Personal computer cable (for DCCS) パソコンケーブル(DCCS用)	



NO. 符号	INDEX	PARTS NO. 部品番号	PARTS NAME	部品名称	DWG. NO. 図面番号	TYPE SPECIFICATION 形式 仕様	QTY/UNIT		REMARKS 備考
							LXE10E-		
							A33	A33A	
A1		1549647	Power plug(400V class)	電源プラグ (400V)	3P130172-1		1		
A1		1787432	Power cable	電源ケーブル (400V)	3P056891-2			1	
A2	A	0954936	Condenser fan motor	凝縮器電動機	3P005566-1		1	1	
A3	B	0980618	Fan blade(outside)	プロペラファン庫外側	P44H11S		1	1	
A4	C	1612576	Access panel(FRP)	サービス扉組立品	1P006678-5		2	2	Refer to Page62
A5		1266207	Cushion material(access panel)	クッション材 (サービス扉)	3P033608-1		2	2	Refer to Page62
A6		1196113	Sealing material(access panel)	シール材 (サービス扉)	3P001640-2		2	2	Refer to Page62
A7		1326705	Wire clamp	電線止め金	4P090422-1		1		
A7		1779734	Wire clamp	電線止め金	4P090422-2			1	
A8	C	1266199	Drain hose	ドレンホース	3P011299-1	For trap type	1	1	
A9		537320	Hose band	ホースバンド	R4716528-3		1	1	
A10		1266137	Fan guide stay ass'y(outside)	ファンガイドステー組立品(庫外側)	3P027891-1		1	1	
A11		1588356	Fan guide(Outside)	ファンガイド (庫外側)	1P050906-6		1	1	
A12	C	1588349	Discharge grill	吹出グリル	1PA53427-6		1	1	
A13		1369663	Mounting plate 2, cable storage	ケーブル収納部取付板2	4P006981-2		1	1	
A14		1564660	Cabel holding sheet metal	ケーブル収納部板金(圧縮機前板:有/無共用)	3P128458-1		1		
A14		1787449	Front plate(sheet metal)	ケーブル収納部前板HANJIN	3P186610-1			1	
A15	C	1661299	Front plate(CA)	前板 (CA)	2P165976-1		1		Refer to Page63
A15		1739286	Front plate(CA)	前板 (CA)	2P173133-1			1	Refer to Page63
A16		1600504	C,BOX Front plate	コントロールボックス前板(左)	2P093861-5		1	1	
A17		1661338	Fixing plate	外板取付板 (1)	3P170539-1		1	1	
A18		1661321	Fixing plate	外板取付板 (2)	3P170535-1		1	1	
A19	B	1266120	Ventilation cover	換気口蓋	3P067053-1		1	1	Refer to Page63
A20		1266221	Sealing material(ventilator)	シール材 (換気口)	4P016185-1		2	2	Refer to Page63
A21		1270345	Wing bolt	蝶ボルト	4P048681-1		2		
A21		1775446	Wing bolt	蝶ボルト (M6)	4P048681-2			2	
A22		0275145	Plain washer(Woods round type)	平座金 (木材用丸)	4SK07006-6	M6	2	2	
A23		1270345	Wing bolt	蝶ボルト	4P048681-1		2		
A23		1775446	Wing bolt	蝶ボルト (M6)	4P048681-2			2	
A24		0275145	Plain washer(Woods round type)	平座金 (木材用丸)	4SK07006-6	M6	2	2	
A25		1266214	Holding plate, ventilator	押え板	4P067052-1		1	1	
A26		1775446	Wing bolt	蝶ボルト (M6)	4P048681-2			1	
A28		1494987	Stainless rivet	ステンレスリベット	4P107279-2			2	
A29		1496820	Protection cover(2)	温度計挿入口保護カバー (2)	4P085921-2		1	1	
A30		1584145	Protection cover (3)	温度計挿入口保護カバー (3)	4P085921-3		1	1	
A31		1683888	Hexagon head bolt	六角ボルト (温度計挿入口)	4P065135-1		2	2	
A32		1386930	Latch(victor chain)	掛金 (ビクターチェーン)	4P063801-1		2	2	
A33		1266245	Tapping screw	タッピンネジ	4SK05064-8	M3 SUS304	2		
A33		1775453	Tapping screw	タッピンネジ	4SK05064-10			2	
A34		844012S	Plain washer	平座金	4SK07005-3	M3SUS	2	2	

NO. 符号	INDEX	PARTS NO. 部品番号	PARTS NAME 部品名称	DWG. NO. 図面番号	TYPE SPECIFICATION 形式仕様	QTY/UNIT		REMARKS 備考
						LXE10E- A33	A33A	
A35		1267084	Gasket, resin bolt パッキン樹脂ボルト用	4PA63573-1		2	2	
A36		1679416	Front panel(right) 前板(右)	3P173348-1		1		
A36		1787456	Front panel(right) RESIN 前板(右) <樹脂>	2P175878-1			1	
E13		1266788	Resin clamp 樹脂バンド	NE41015-12	MILK WHITE	6	6	
E55		1267077	Packing for prevention of vibration C A 前板ビビリ防止パッキン	4P050050-1		2	2	



NO. 符号	INDEX	PARTS NO. 部品番号	PARTS NAME 部品名称		DWG. NO. 図面番号	TYPE SPECIFICATION 形式 仕様	QTY/UNIT		REMARKS 備考
							LXE10E-		
							A33	A33A	
B1	A	1315426	Compressor	圧縮機	JT224DBNYR		1	1	
B2	C	1387173	Air cooled condenser	空冷凝縮器	2P089486-1	CA-LXE10E1	1		
B2			Air cooled condenser	空冷凝縮器	2P195935-1	CA-LXE10E3		1	
B3			Discharge pipe ass'y	吐出配管組立品	2P117329-1		1	1	
B3-1	C	1199167	Strainer	ストレーナ	4P051389-1		1	1	
B3-2	C	1178920	Service valve ass'y	サービスパルプ組立品	3P048905-1		3	3	
B3-2-1	B	117592J	Service valve cap	キャップ	3P048905-1-KU		3	3	
B3-2-2	B		Service valve body	本体	3P048905-1-KA		3	3	
B3-2-3	B	1178850	Valve core	バルブコア	3P048905-1-KI		3	3	
B3-3	B	0684220	Check valve	逆止弁	3SA27008-1		1	1	
B3-4	A	1241361	Discharge pressure regulating valve	吐出圧力調整弁	3P074558-1		1	1	Refer to Page64
B3-5		1266276	Flange(convex)	吐出管フランジ (凸)	4P065933-1		1	1	
B3-6	B	292011	Gauge joint(with check valve)	逆止弁付ゲージ接手	2PF00177-1	VCG2DA	1	1	
B4		1655939	Liquid receiver ass'y	受液器組立品	2P162878-1		1		
B4			Liquid receiver ass'y	受液器組立品	2P162878-2			1	
B4-1		1266283	Liquid receiver	受液器レシーバ	4P081428-1	φ 90×t1.8	1	1	
B4-2		013785J	Flare nut	フレアナット	4SK23011-4	FNS4 φ 12.7	1	1	
B4-3	A	1498035	Fusible plug	可熔栓	3SA27103-1		1	1	
B4-4		029913J	Filter	フィルタ	3SA26004-2		1	1	
B4-5	B	1411533	Solenoid valve body	電磁弁本体	3SA52069-1	VPV-803DQ50	1		Refer to Page64
B4-5		1787247	Solenoid valve	電磁弁本体	3P198486-1	VPV-803DQ52		1	Refer to Page64
B4-6	A	0955287	Solenoid valve coil	電磁弁コイル	3P010453-1		1	1	Refer to Page64
B5			Liquid pipe ass'y	液配管組立品	3P162887-1		1	1	
B5-1		013785J	Flare nut	フレアナット	4SK23011-4	FNS4 φ 12.7	1	1	
B5-2	A	0622107	Liquid moisture indicator	モイスターインジケーター	3PA51270-3	SGN12S	1	1	
B6			Injection tube ass'y	インジェクション管組立品	3P162892-1		1	1	
B6-1	C	0085296	Strainer	ストレーナ (100メッシュ)	R4697892		1	1	
B7			Expansion ISV, ESV valve pipe ass'y	膨張弁配管全体組立図 (P & O)	2P162861-1		1		
B7			Expansion ISV, ESV valve pipe ass'y	膨張弁配管全体組立図 (P & O)	2P178370-3			1	
B7a			Expansion valve pipe ass'y	膨張弁配管組立品 (レヒート)	2P163079-1		1		
B7a			Expansion valve pipe ass'y	膨張弁配管組立品	2P163079-3			1	
B7-1	C	1505748	Filter	フィルタ	3P011071-1		1	1	
B7-2	C	1490846	Strainer	ストレーナ	4P051958-1		1	1	
B7-3	A	125649J	Electronic expansion valve body ass'y	電子膨張弁本体組立品	2SA50010-2-KU		1	1	Refer to Page64
B7-4	B	1411533	Solenoid valve body	電磁弁本体	3SA52069-1	VPV-803DQ50	4		Refer to Page64
B7-4		1787247	Solenoid valve	電磁弁本体	3P198486-1	VPV-803DQ52		4	Refer to Page64
B7-5	A	1266290	Solenoid valve coil	電磁弁コイル	3P010453-2		4	4	Refer to Page64
B7b			ISV,ESV pipe ass'y	I S V ・ E S V 配管組立品 (標準・P & O)	3P163059-1		1		
B7b			ISV,ESV pipe ass'y	I S V ・ E S V 配管組立品	3P178353-2			1	
B7-5	A	1266290	Solenoid valve coil	電磁弁コイル	3P010453-2		2	2	Refer to Page64

• When ordering the parts whose No. are not shown in the PARTS NO. column, be sure to describe DWG. NO..

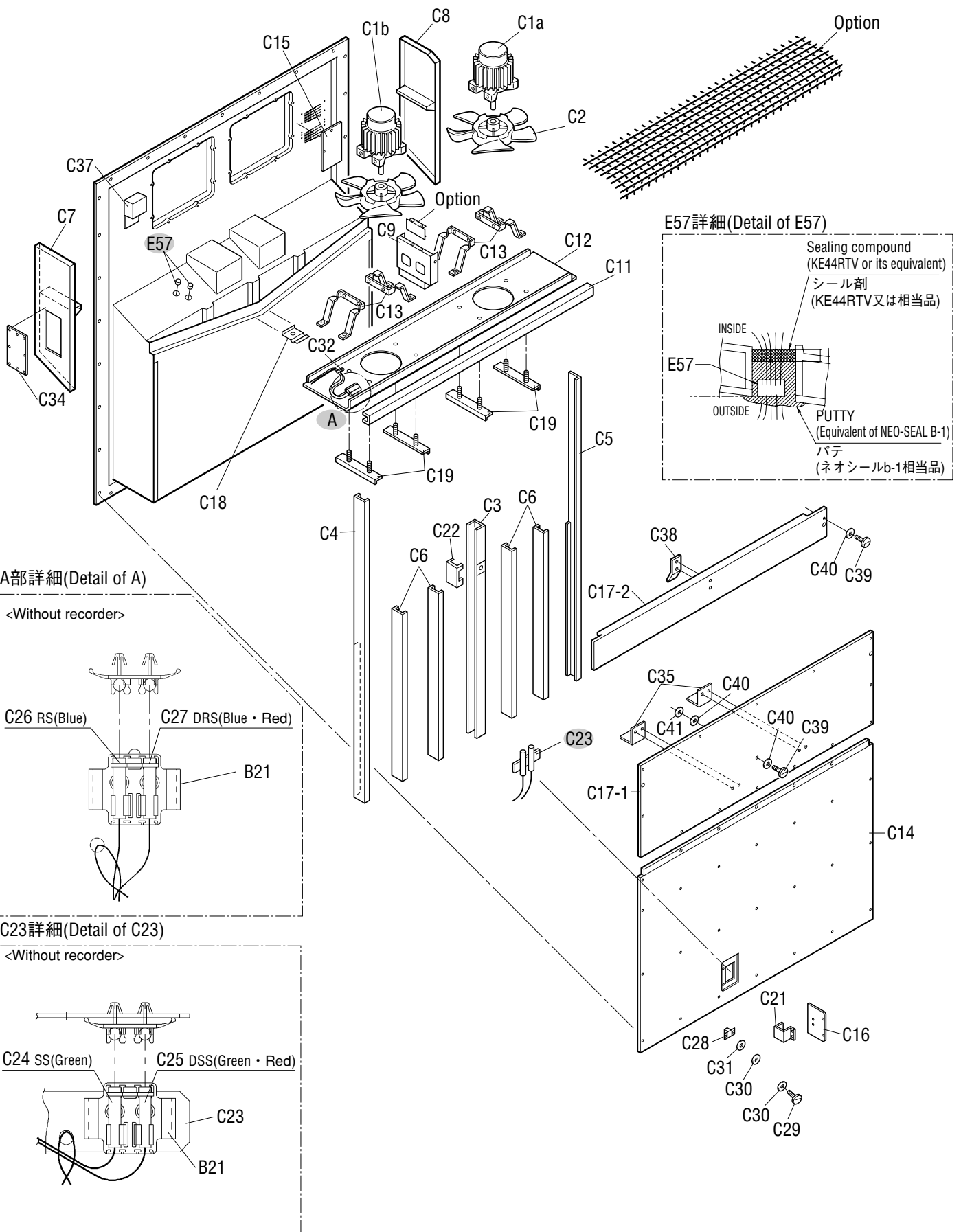
• 部品番号欄が空白になっている部品は、図面番号で、指示願います。

Parts related with refrigerant piping(outside)
庫外冷媒配管関連部品

NO. 符号	INDEX	PARTS NO. 部品番号	PARTS NAME	部品名称	DWG. NO. 図面番号	TYPE SPECIFICATION 形式 仕様	QTY/UNIT		REMARKS 備考
							LXE10E- A33	A33A	
B7-6	A	0088738	Nev type solenoid valve body	NEV型電磁弁本体	R3305099-1-KI	NEV-202DXF	2	2	Refer to Page64
B7-7	C	0964166	Strainer	ストレーナ	4P012568-1		1	1	
B8		1496781	Suction pipe ass'y(inside)	吸入配管組立品 (庫内)	3P071569-2		1	1	
B8-1	A	1254538	Suction modulating valve ass'y	吸入比例弁組立品	2P078385-1		1	1	Refer to Page64
B8-1-1		1270376	Upper cover, suction modulating valve	吸入比例弁カバー上	2P078385-1-KA		1	1	
B8-1-2		1496914	Clamp, suction modulating valve	吸入比例弁クランプ	2P078385-1-KI		1	1	
B8-1-3		1270390	Coil, suction modulating valve	吸入比例弁コイル	2P078385-1-KU		1	1	
B8-1-4		1270408	Body, suction modulating valve	吸入比例弁弁本体	2P078385-1-KE		1	1	
B8-1-5		1270415	Cover band, suction modulating valve	吸入比例弁カバーバンド	2P078385-1-KO		2	2	
B9			Suction pipe ass'y(outside)	吸入配管組立品 (庫外)	3P162880-1		1	1	
B9-1	C	1178937	Service valve ass'y	サービスバルブ組立品	3P048907-1		2	2	
B9-1-1	B	1178867	Valve core	バルブコア	3P048907-1-KI		2	2	
B9-1-2	B	1637498	Service valve body	本体	3P048907-1-KA		2	2	
B9-1-3	B	117591J	Service valve cap	キャップ	3P048907-1-KU		2	2	
B9-2		1266315	Square flange	角フランジ	4PA61542-1		1	1	
B10	A	1241385	Drier ass'y	ドライヤ組立品	3P069859-1		1	1	
B11	A	098332J	Sensor, discharge pipe temperature(DCHS)	吐出管用センサ (D C H S)	3SA48009-10		1	1	Refer to Page66
B12	A	0798321	Sensor, ambient air temperature(AMBS)	外気温度センサ (A M B S)	3PA61769-6	ST9503-6(NIL)	1	1	Refer to Page66
B13	A	098333J	Sensor, comp suction pipe temperature(SGS)	圧縮機吸込配管温度用センサ (S G S)	3PA61769-9	ST9503-9(white)	1	1	Refer to Page66
B14		1266322	Cable(compressor)	ケーブル (圧縮機)	3P063458-1		1		
B14		1787463	Cable(compressor)	ケーブル (圧縮機)	3P063458-2			1	
B15	A	1587942	Low pressure transducer(LPT)	低圧圧力センサ (L P T)	3P141601-1	NSK-BCO10F-070	1	1	Refer to Page65
B16	A	1587959	High pressure transducer(HPT)	高圧圧力センサ (H P T)	3P141602-1	NSK-BCO30F-070	1	1	Refer to Page65
B19	A	1241378	High pressure switch	高圧圧力開閉器	3P071506-1		1	1	
B20	A	138143J	Electronic expansion valve coil	電子膨張弁コイル	2P010454-2		1	1	Refer to Page64
B21		1605244	Therminal fixing plate, Resin	サーミスタ固定具 (樹脂)	3P124175-1		1	1	
B23		0423968	Mounting spring,thermistor	サーミスタ取付バネ	4PA38890-1		2	2	
B24	A	0132192	Flange packing, compressor discharge	圧縮機吐出側フランジパッキン	4SK20053-4		1	1	
B25	A	0395032	Flange packing, compressor suction	圧縮機吸入側フランジパッキン	R4221042-1		1	1	
B26		1267147	Thermal insulation tube	断熱筒 (吸入弁庫外側)	4P073602-1		1	1	

• When ordering the parts whose No. are not shown in the PARTS NO. column, be sure to describe DWG. NO..

• 部品番号欄が空白になっている部品は、図面番号で、指示願います。



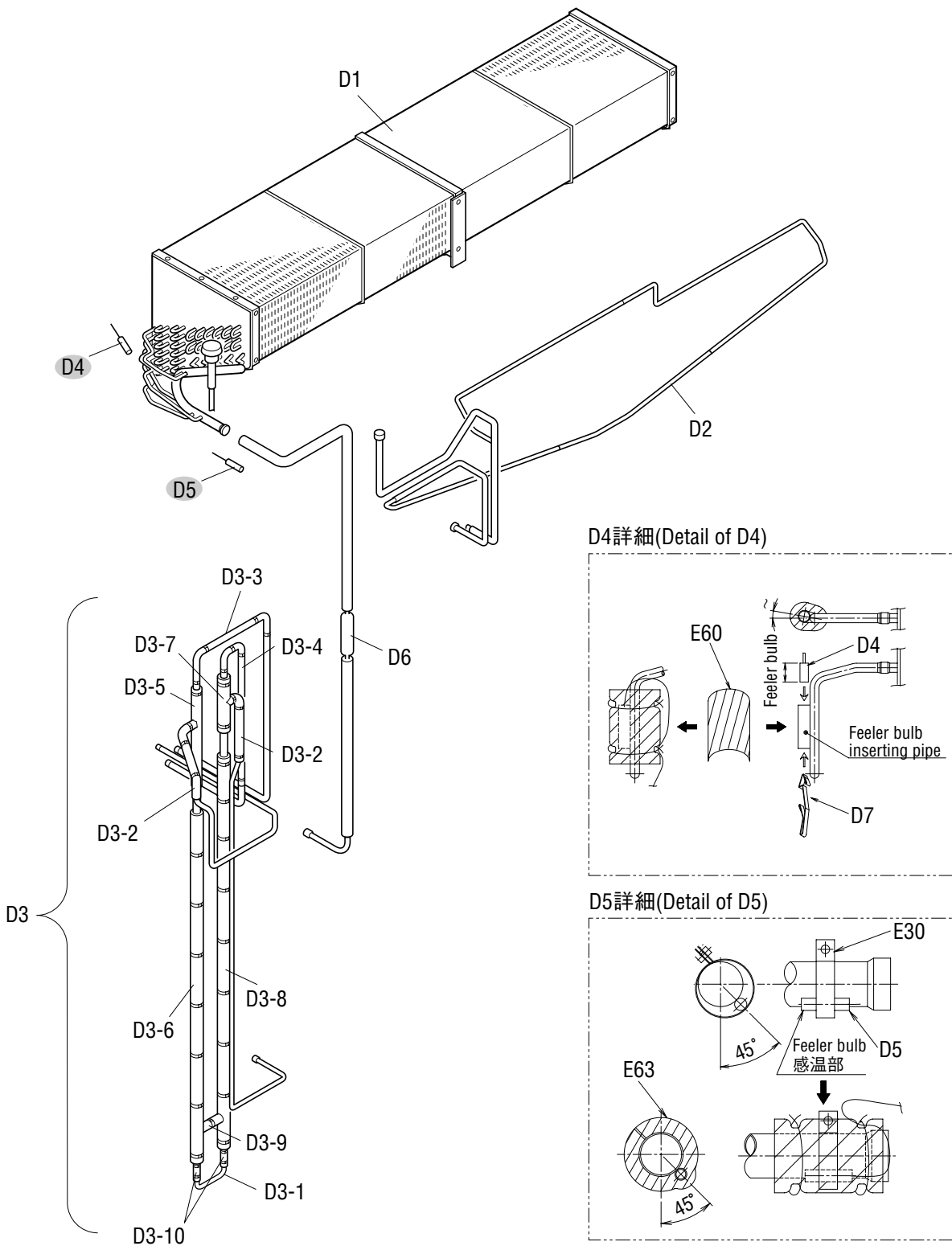
NO. 符号	INDEX	PARTS NO. 部品番号	PARTS NAME 部品名称		DWG. NO. 図面番号	TYPE SPECIFICATION 形式 仕様	QTY/UNIT		REMARKS 備考
							LXE10E-		
							A33	A33A	
C1a	A	0955333	Three phase AC fan motor	三相交流ファン電動機	3PA07524-4		1	1	
C1b	A	0955340	Three phase AC fan motor	三相交流ファン電動機	3PA07524-5	SPRK91A-42	1	1	
C2	B	0777519	Fan brade(inside)	プロペラファン (庫内側)	P32P11F		2	2	
C3		1656019	Center stay	中央ステー	3P167260-1		1		
C3		1410958	Center stay	中央ステー	3P094853-1			1	
C4		1679315	Side stay	サイドステー (1) 裏板S U S仕様	3P168538-1		1		
C4		1266360	Side stay	サイドステー	3P061281-1	t2.5		1	
C5		1679409	Side stay(2)	サイドステー (2) 裏板S U S仕様	3P172409-1		1		
C5		1380723	Side stay(2)	サイドステー (2)	3P094852-1			1	
C6		1667141	Rear stay	背面ステー (裏板S U S仕様)	3P167261-2		4		
C6		1584176	Rear stay	背面ステー (レヒート)	3P103621-2			4	
C7		1666838	Casing frame, evaporator	蒸発器枠 (1) 裏板S U S仕様	2P170293-1		1		
C7		1380747	Casing frame, evaporator	蒸発器枠 (1)	2P094765-1			1	
C8		1666845	Casing frame, evaporator	蒸発器枠 (2) 裏板S U S仕様	2P170293-2		1		
C8		1380754	Casing frame, evaporator	蒸発器枠 (2)	2P094765-2			1	
C9		1667165	Fan guide fixing plate	ファンガイド固定板(裏板S U S仕様)	3P168540-1		1		
C9		1494134	Fan guide fixing plate	ファンガイド固定板	3P105378-1			1	
C11		1605307	Inside fan cover stay	庫内ファンカバーステー(P & O N)	3P150525-1			1	
C12		1667088	Fan guide ass'y	ファンガイド組立品(レヒート・樹脂製サ-ミスタ)	3P166890-3		1		
C12		1634196	Fan guide ass'y	ファンガイド組立品(レヒート・樹脂製サ-ミスタ)	3P153482-1			1	
C13		1667172	Set plate, fan motor	電動機取付脚	3P171676-1		4	4	
C14		1380792	Rear plate(Lower)	裏板 (下)	2P094959-1		1		
C14		1779239	Rear plate(Lower)	裏板 (下) ヒンジ	2P186645-1			1	
C15		1496990	Shield plate	遮蔽板	4P123922-1		1	1	
C16		1380817	Inspection door(supply sensor)	点検蓋 (サブライセンサ)	4P094961-1		1	1	
C17-1		1683895	Rear plate (Middle)	裏板 (中)	2P175524-1		1		
C17-2		1683903	Rear plate (Upper)	裏板 (上) H A N J I N	2P175468-1		1		
C17-2		1779246	Rear plate (Upper)	裏板 (上) ヒンジ	2P186646-1			1	
C18		1266485	Partition plate(drain outlet)	仕切板 (ドレン出口)	4P011317-1		1	1	
C19		1135978	Reinforce plate, fan motor	補強板 (ファン電動機台)	4P011316-1		4	4	
C21		1135125	Hinge	蝶番	3P043374-1		1	1	
C22		1266524	Support plate	支柱補強柱	4P061342-1		1	1	
C23		1605466	Mounting plate	サブライセンサ取付板	4P144433-1		1	1	
C24	A	137531J	Sensor(SS)	センサー (S S)	3PA61769-11		1		Refer to Page66
C24	A	1713330	Sensor(SS)	センサー (S S)	3PA61769-16			1	Refer to Page66
C25	A	1375327	Sensor(DSS)	センサー (D S S)	3PA61769-12		1		Refer to Page66
C25	A	1713347	Sensor(DSS)	センサー (D S S)	3PA61769-17			1	Refer to Page66
C26	A	1375334	Sensor(RS)	センサー (R S)	3PA61769-13		1		Refer to Page66
C26	A	1713354	Sensor(RS)	センサー (R S)	3PA61769-18			1	Refer to Page66
C27	A	1375341	Sensor(DRS)	センサー (D R S)	3PA61769-14		1		Refer to Page66

Parts related with the unit(inside)

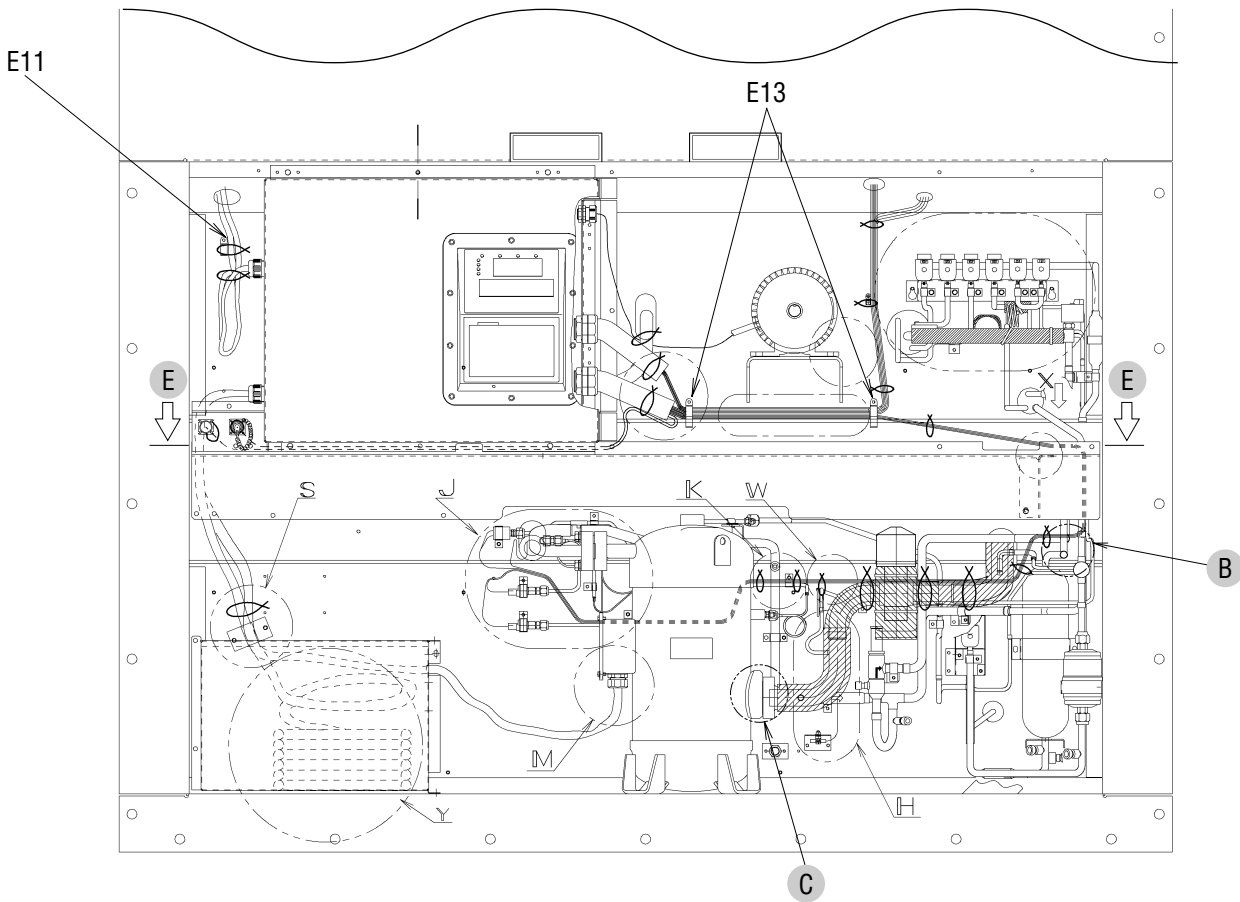
庫内関連部品

NO. 符号	INDEX	PARTS NO. 部品番号	PARTS NAME 部品名称		DWG. NO. 図面番号	TYPE SPECIFICATION 形式 仕様	QTY/UNIT		REMARKS 備考
							LXE10E-		
							A33	A33A	
C27	A	1713361	Sensor(DRS)	センサー (D R S)	3PA61769-19			1	Refer to Page66
C28		860015	Universal nut	自在ナット	R4713188-1			1	1
C29		860011	Speed bolt	スピードボルト (M6)	4P048680-1			1	1
C30		860005	Washer, speed bolt	スピードボルト用座金	R4713334			2	2
C31		840002	Drop out prevention washer	脱落防止座金	R4718607-6			1	1
C32		388339	Fixture	固定具	4PA11782-1			7	7
C34		1380848	Cover	カバー	3P090387-1			1	1
C35		1326844	Fixture	固定具 (裏板・中)	4P089944-1			2	
C37		1667280	RH sensor mounting plate	R Hセンサー固定板	4P164832-1				1
C38		1683910	Rear plate (Upper) fixture	裏板 (上) 固定具 H A N J I N	4P175469-1			1	
C39		1685170	Pan head screw	ナベ小ネジ M 5 S U S (土穴付)	4P167690-1			18	
C40		1685187	Washer	木材座金 M 5 用 (φ 2 0)	4P170127-5			19	
C41		840001	Drop out prevention washer	脱落防止座金	R4718607-5			1	
C41		840002	Drop out prevention washer	脱落防止座金	R4718607-6				2
B21		1605244	Thermal fixing plate, Resin	サーミスタ固定具 (樹脂)	3P124175-1			2	2
E57		1267091	Wiring protection bush	配線保護ブッシュ	4P023920-1	BLACK		2	2

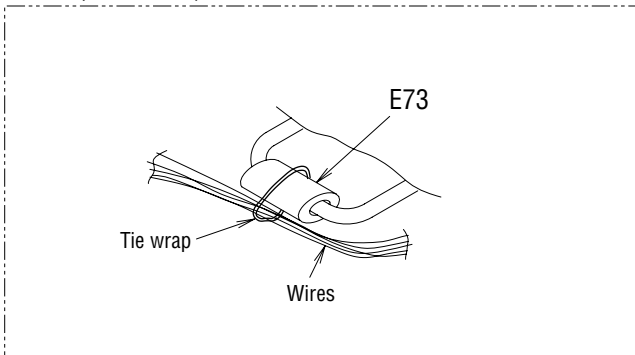
NO. 符号	INDEX	PARTS NO. 部品番号	PARTS NAME	部品名称	DWG. NO. 図面番号	TYPE SPECIFICATION 形式 仕様	QTY/UNIT		REMARKS 備考
							LXE10E-		
							A33	A33A	



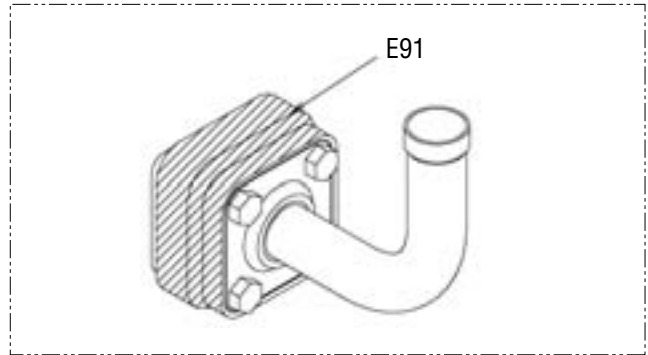
Other parts(Pipe clamp, sealing and insulation material etc.)
 その他部品 (配管固定具、シール材、防熱材等)



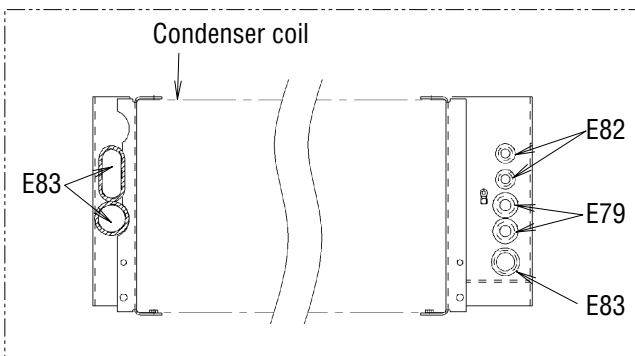
B詳細(Detail of B)



C詳細(Detail of C)



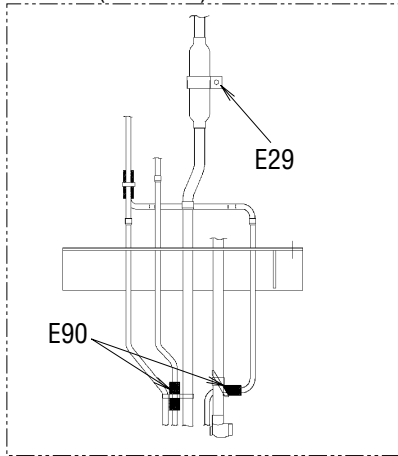
E断面(Section of E)



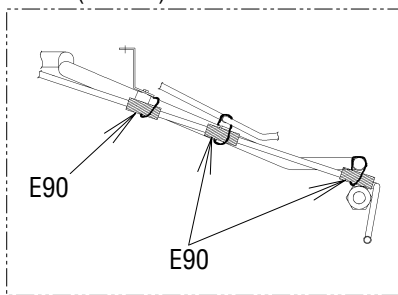
※(L = XX mm) indicates the length of cushion rubber E35.(Cut to suit pipe size.)

※(L = XX mm)と表記のものは、緩衝ゴム(E35)の長さです。(配管のサイズに合わせて切って使用ください。)

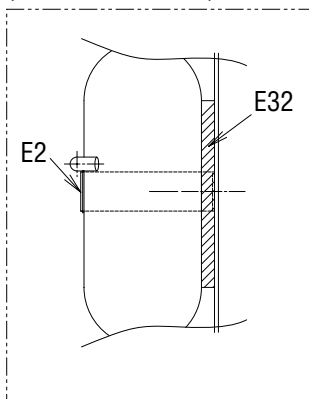
矢視A/B(View A/B)



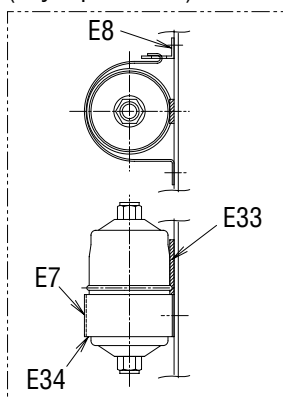
矢視D(View D)



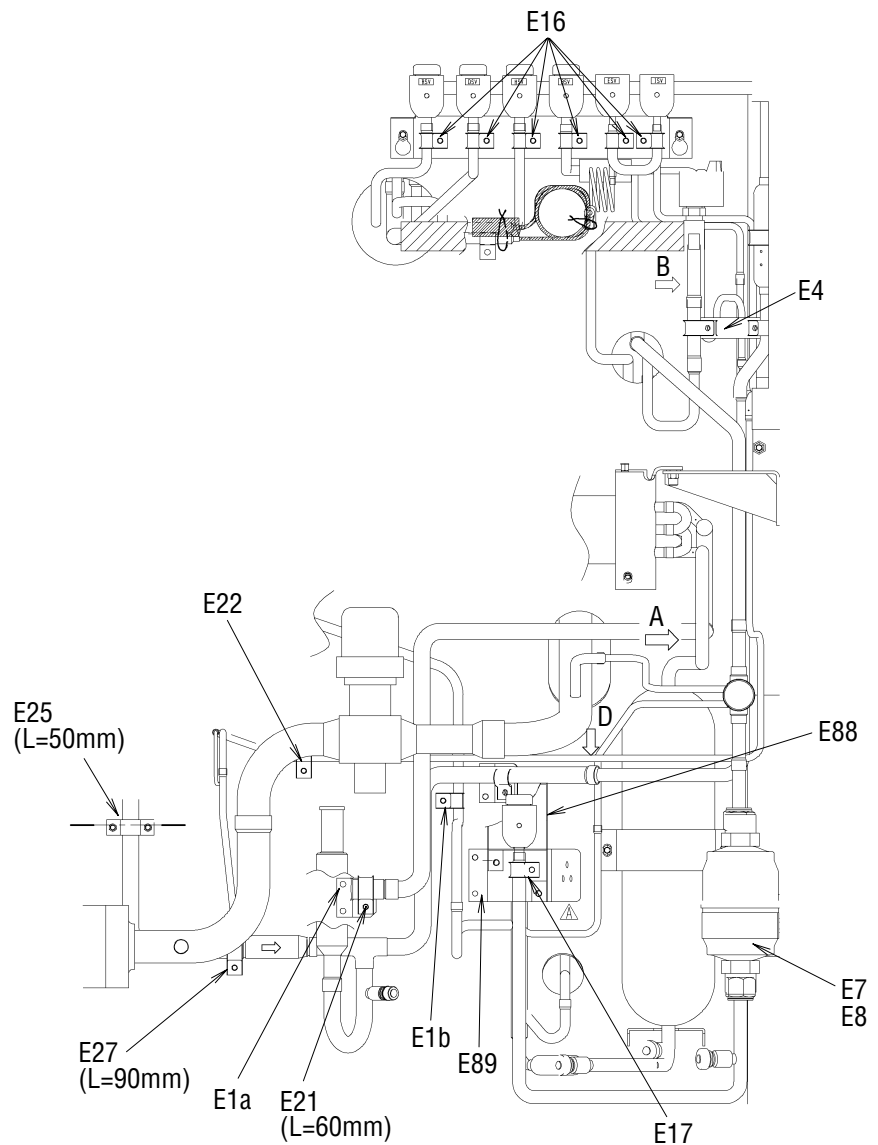
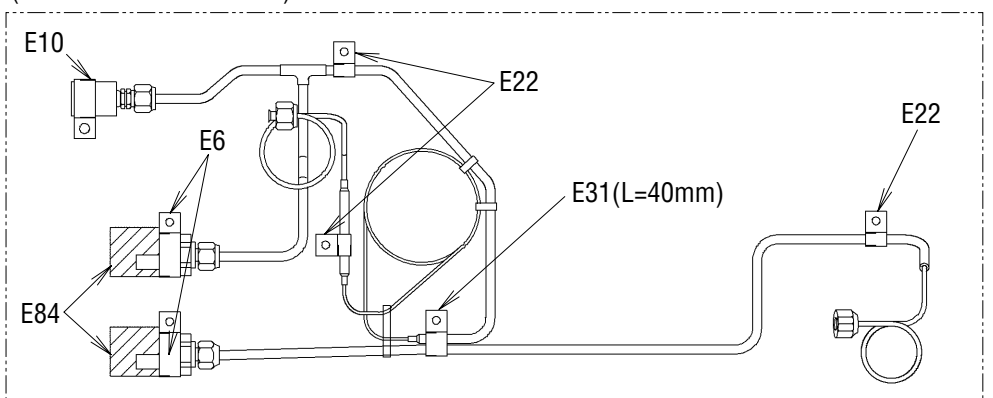
受液機器部詳細
(Receive part detail)



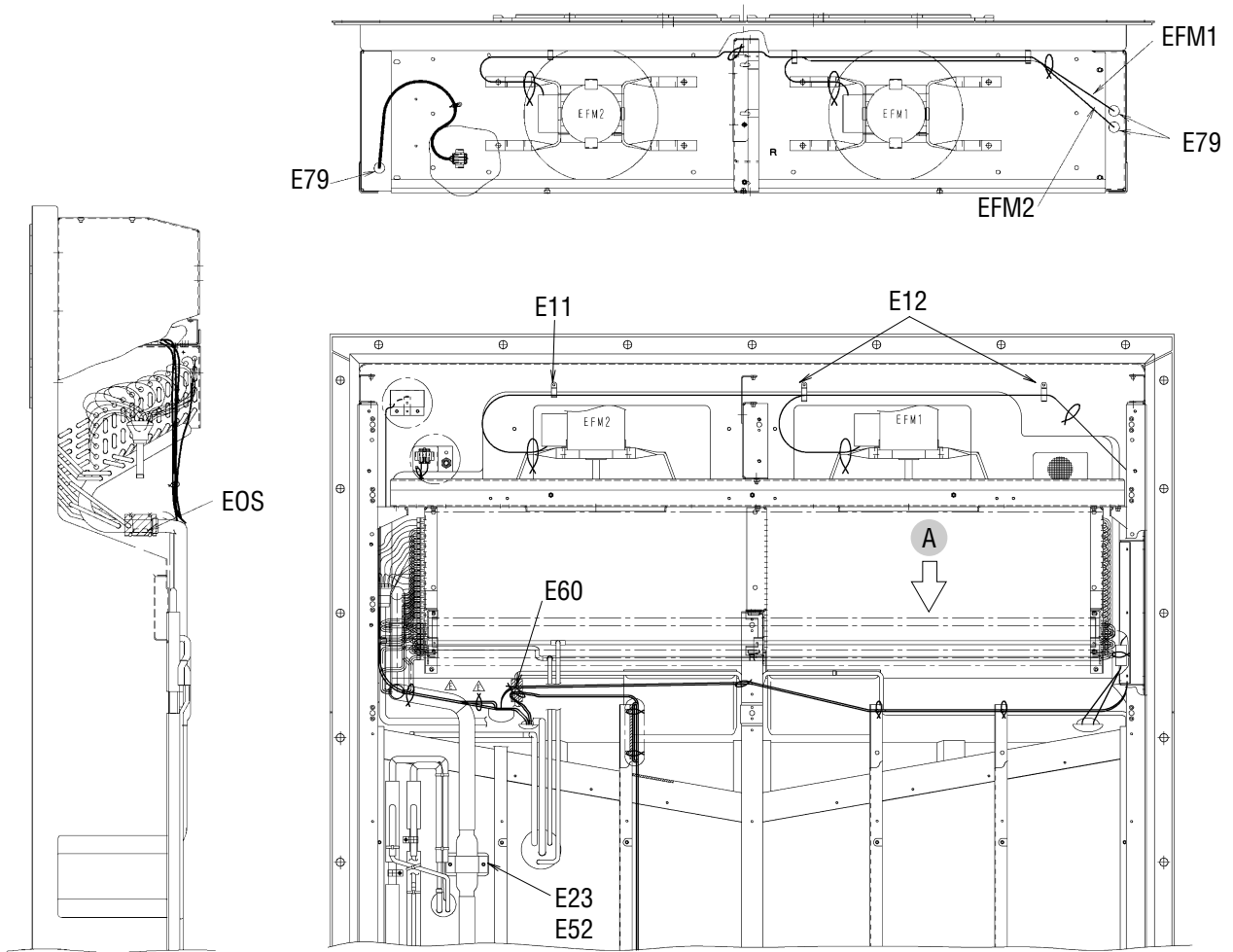
ドライヤー部詳細
(Dryer part detail)



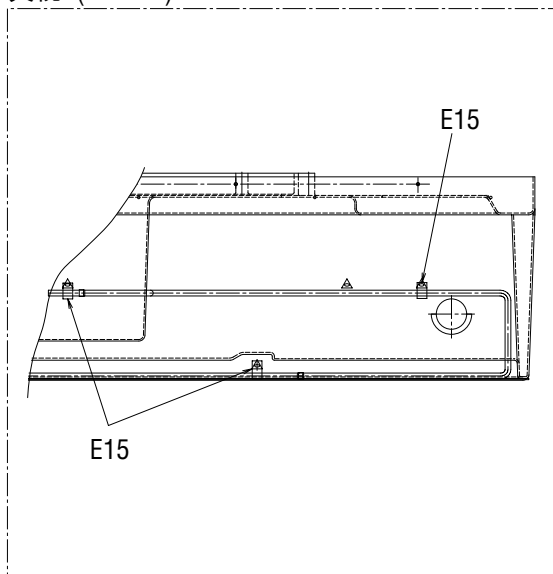
圧力センサー配管部詳細
(Pressure transducer detail)

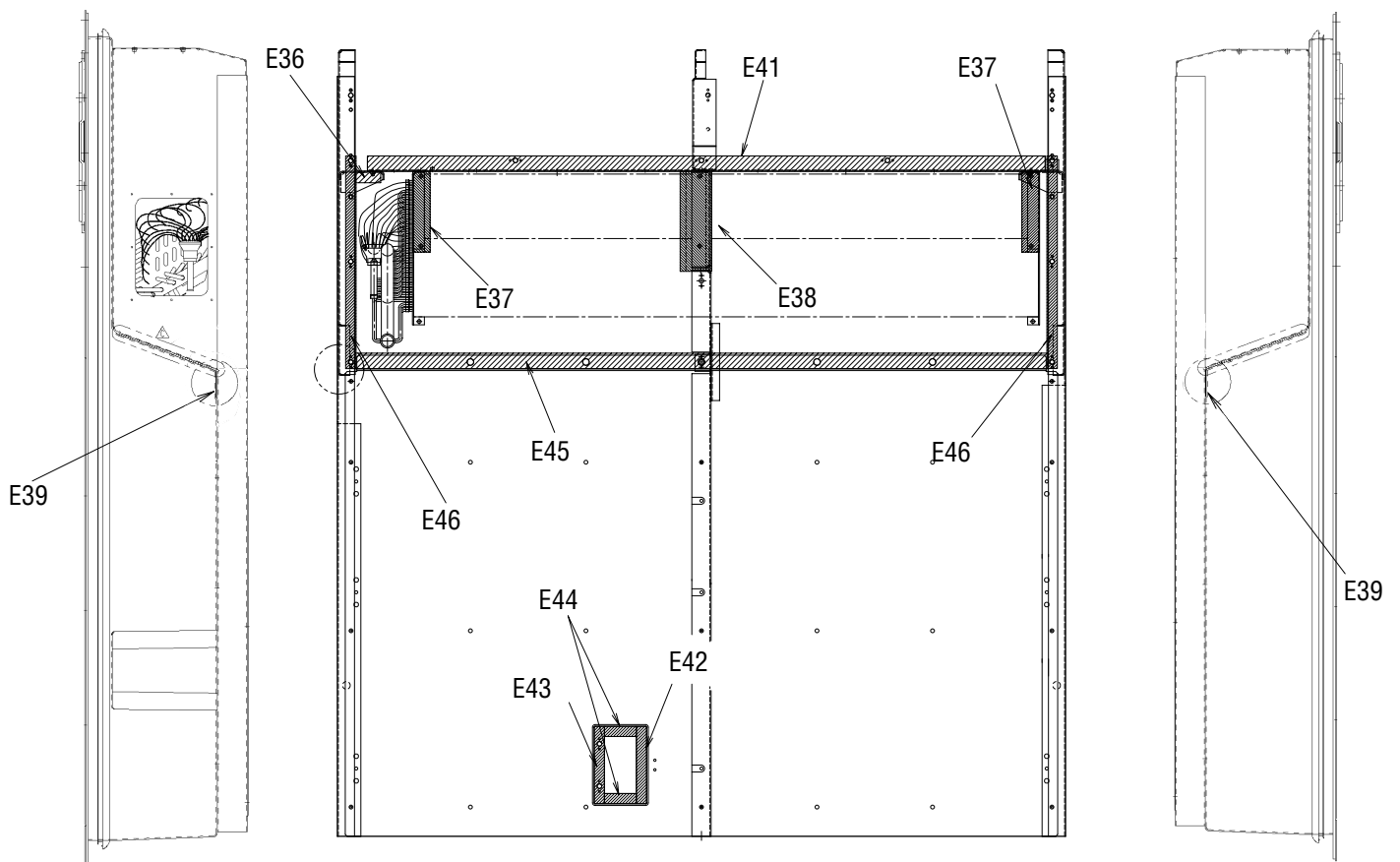
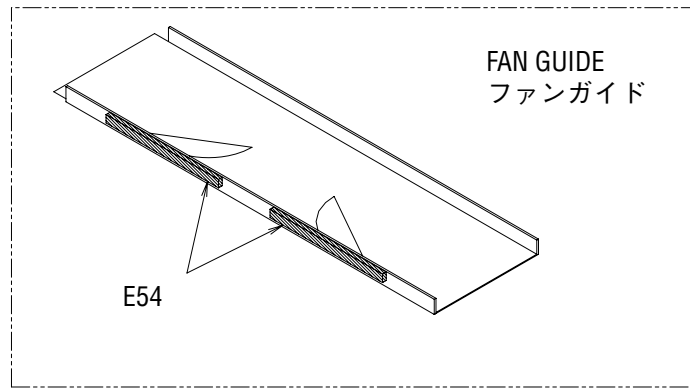


Other parts(Pipe clamp, sealing and insulation material etc.)
その他部品 (配管固定具、シール材、防熱材等)

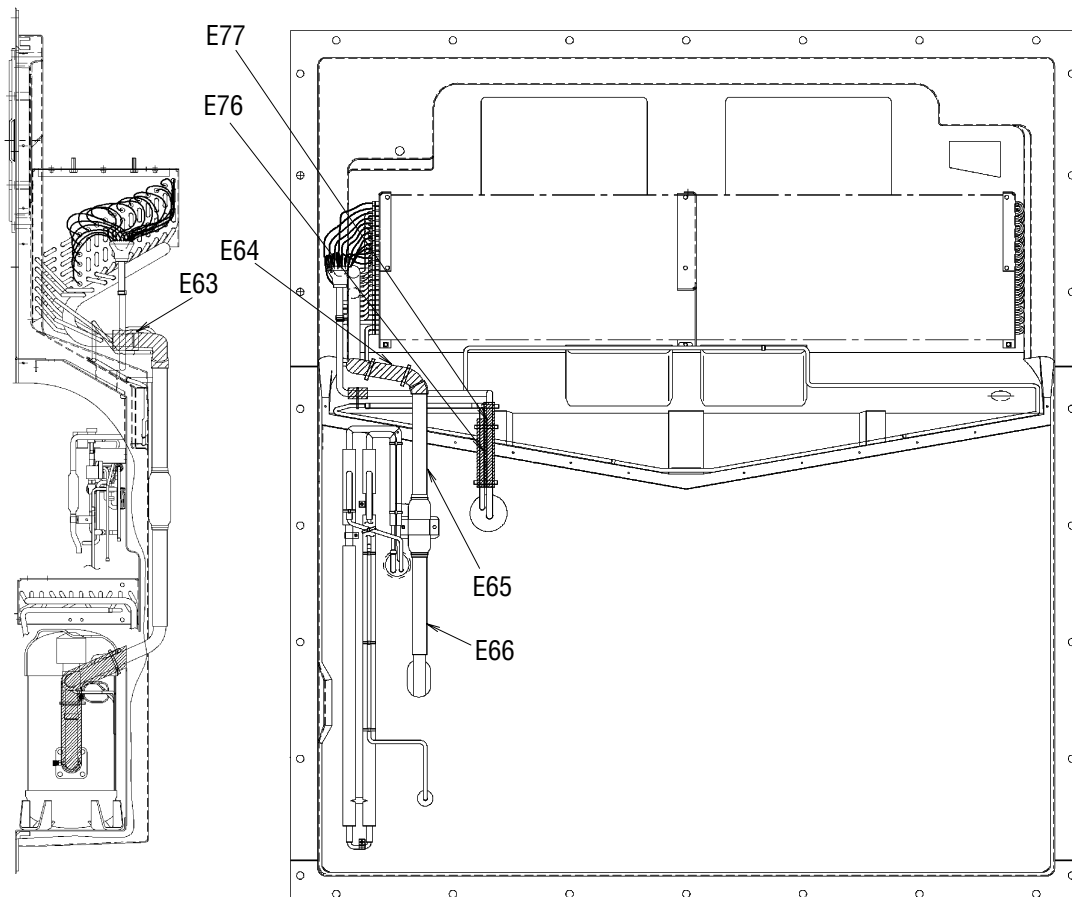
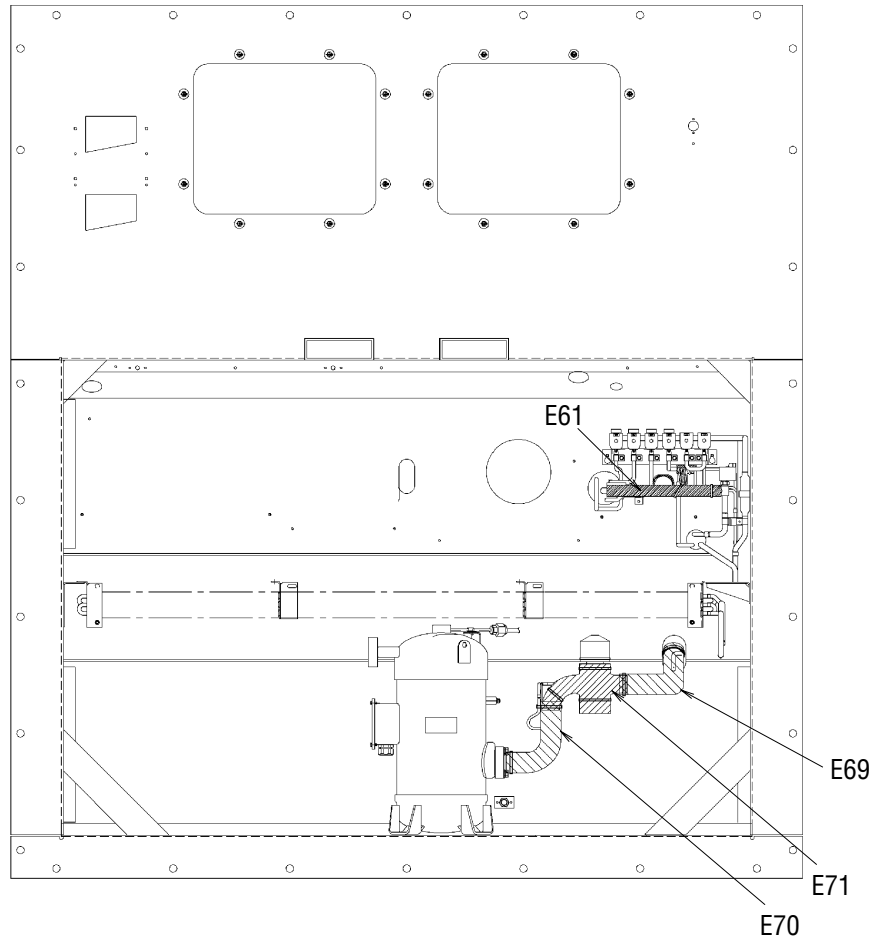


矢視A(VIEW A)





Other parts(Pipe clamp, sealing and insulation material etc.)
その他部品 (配管固定具、シール材、防熱材等)

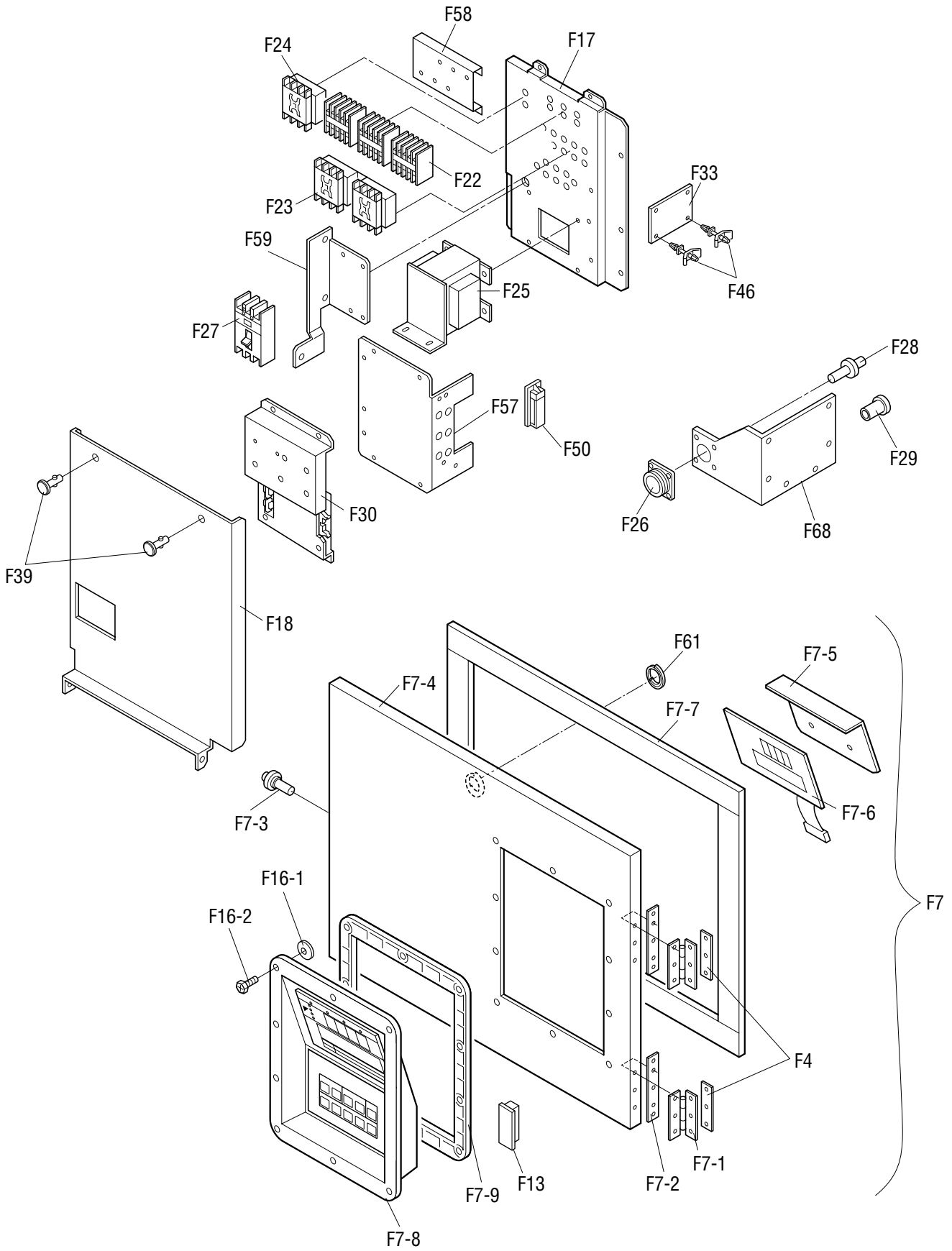


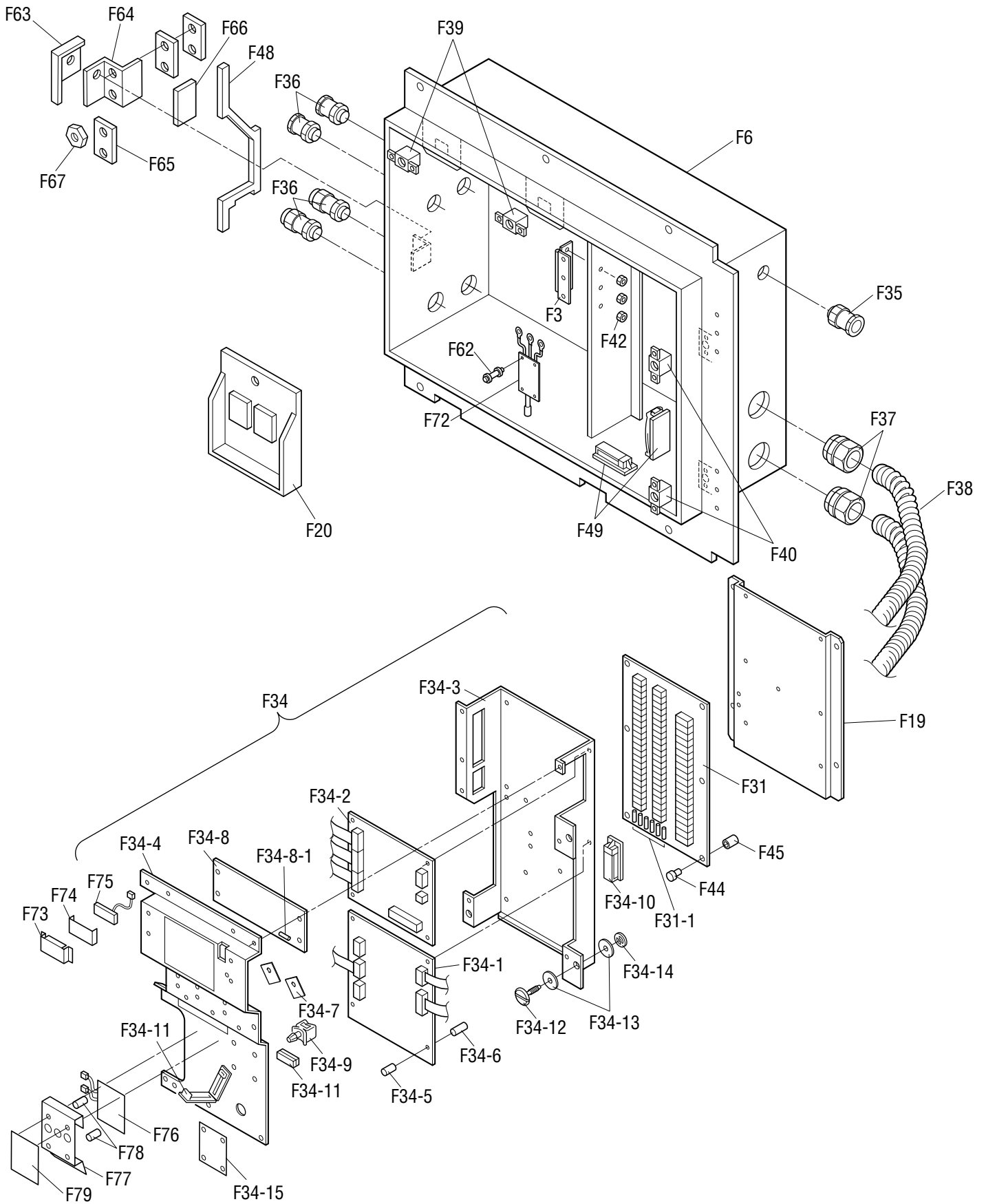
NO. 符号	INDEX	PARTS NO. 部品番号	PARTS NAME	部品名称	DWG. NO. 図面番号	TYPE SPECIFICATION 形式 仕様	QTY/UNIT		REMARKS 備考
							LXE10E-		
							A33	A33A	
E1a		1266694	Set plate, discharge pipe	吐出配管取付板	4P079462-1		1		Page39
E1a		1779727	Set plate, discharge pipe	吐出配管取付板	4P079462-2			1	Page39
E1b		1584215	Nylon coating tube clamp	ナイロンコーティング管止め金	4P143802-51		2	2	Page39
E2		1266702	Fixture plate, receiver	レシーバー固定具	4P011318-2	t1.5	1		Page39
E2		1779710	Fixture plate, receiver	レシーバー固定具	4P011318-3			1	Page39
E4		1683972	Pipe fixing plate	配管取付板組立品 (MSL)	4P158750-1		1	1	Page39
E6		1592425	Tube clamp	管止め金	NE31016-58		2	3	Page39
E7		1266764	Fitting band, dryer	ドライヤー取付バンド	4PA51194-1		1		Page39
E7		1779804	Fitting band, dryer	取付バンド (ドライヤー)	4PA51194-2			1	Page39
E8		1266771	Set plate, dryer	取付板 (ドライヤ)	4P076788-1	t2.0	1		Page39
E8		1787487	Set plate, dryer	取付板 (ドライヤ)	4P076788-2			1	Page39
E10		1222764	Resin clamp	樹脂バンド	NE41015-9	MILK WHITE	1	1	Page39
E11		0944528	Resin clamp	樹脂バンド	NE41015-7	MILK WHITE	2	2	Page38,40
E12		0142492	Resin clamp	樹脂バンド	NE41015-10	MILK WHITE	2	2	Page40
E13		1266788	Resin clamp	樹脂バンド	NE41015-12	MILK WHITE	6	6	Page38
E15		0782775	Tube clamp	管止め金	NE31016-51		6	6	Page40
E16		1584215	Nylon coating tube clamp	ナイロンコーティング管止め金	4P143802-51		6	6	Page39
E17		1584208	Nylon coating tube clamp	ナイロンコーティング管止め金	4P143802-52		1	1	Page39
E21		0016290	Tube clamp	管止め金	NE31016-56		1	1	Page39
E22		1584239	Nylon coating tube holder	ナイロンコーティング管止め金	4P143802-71		4	4	Page39
E23		1266827	Fixing plate, filter	フィルタ固定具	4P071794-1	t1.5	1	1	Page40
E25		1266841	Tube clamp	管止め金 (2)	4P005817-2		1	1	Page39
E27		1266858	Tube clamp	管止め金	NE31016-59		2	1	Page39
E29		1584246	Nylon coating tube clamp	ナイロンコーティング管止め金	4P143802-59		1	1	Page39
E30		537320	Hose band	ホースバンド	R4716528-3		2	1	Page36
E31		1380970	Hot gas tube clamp	ホットガス管止め金	4PA43040-1		1	1	Page39
E32		1266889	Cushion rubber, pipe clamp	緩衝ゴム (管止用)	4P064896-1	t1.0	1	1	Page39
E33		1266896	Seal packing	シールパッキン	4P011314-1		1	1	Page39
E34		1270446	Dryer cushion rubber	ドライヤ緩衝ゴム	4PA53083-2		1	1	Page39
E35		1584253	Cushion rubber	管止用緩衝ゴム	NE41013-3-300		1	1	
E36		1386947	Sealing material, evaporator frame	蒸発器受枠 (1) シール材	4P090149-1		1	1	Page41
E37		1266935	Packing(for evaporator)	パッキン (蒸発器)	4P063465-1		2	2	Page41
E38		1266942	Packing(for evaporator)	パッキン (蒸発器)	4P063465-2		1	1	Page41
E39		1605422	Side stay packing	サイドステーパッキン	4P095033-2		2	2	Page41
E41		1386954	Packing, fan guide	ファンガイドパッキン	3P090183-1		1	1	Page41
E42		1266973	Sealing material(patch plate2)	シール材 (当板2)	4P068964-1	t5.0	1	1	Page41
E43		1381043	Sealing material(patch plate3)	シール材 (当板3)	4P095038-1		1	1	Page41
E44		1266997	Sealing material(patch plate1)	シール材 (当板1)	4P068968-1	t5.0	2	2	Page41
E45		1267008	Sealing packing	シールパッキン	3P011293-1		1		Page41
E46		1267015	Packing(side stay)	パッキン (サイドステー)	4P074127-1	BLACK	2	2	Page41

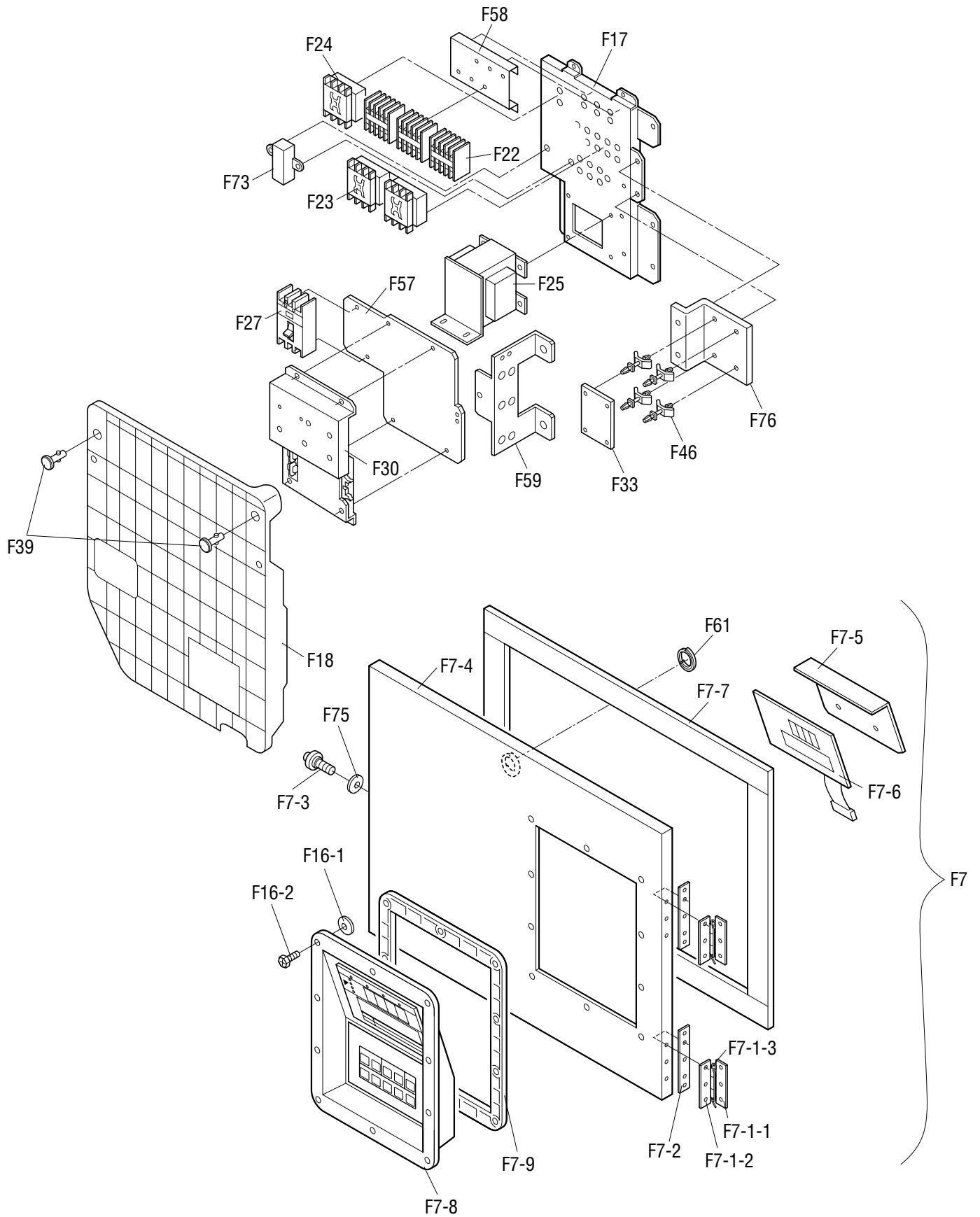
Other parts(Pipe clamp, sealing and insulation material etc.)

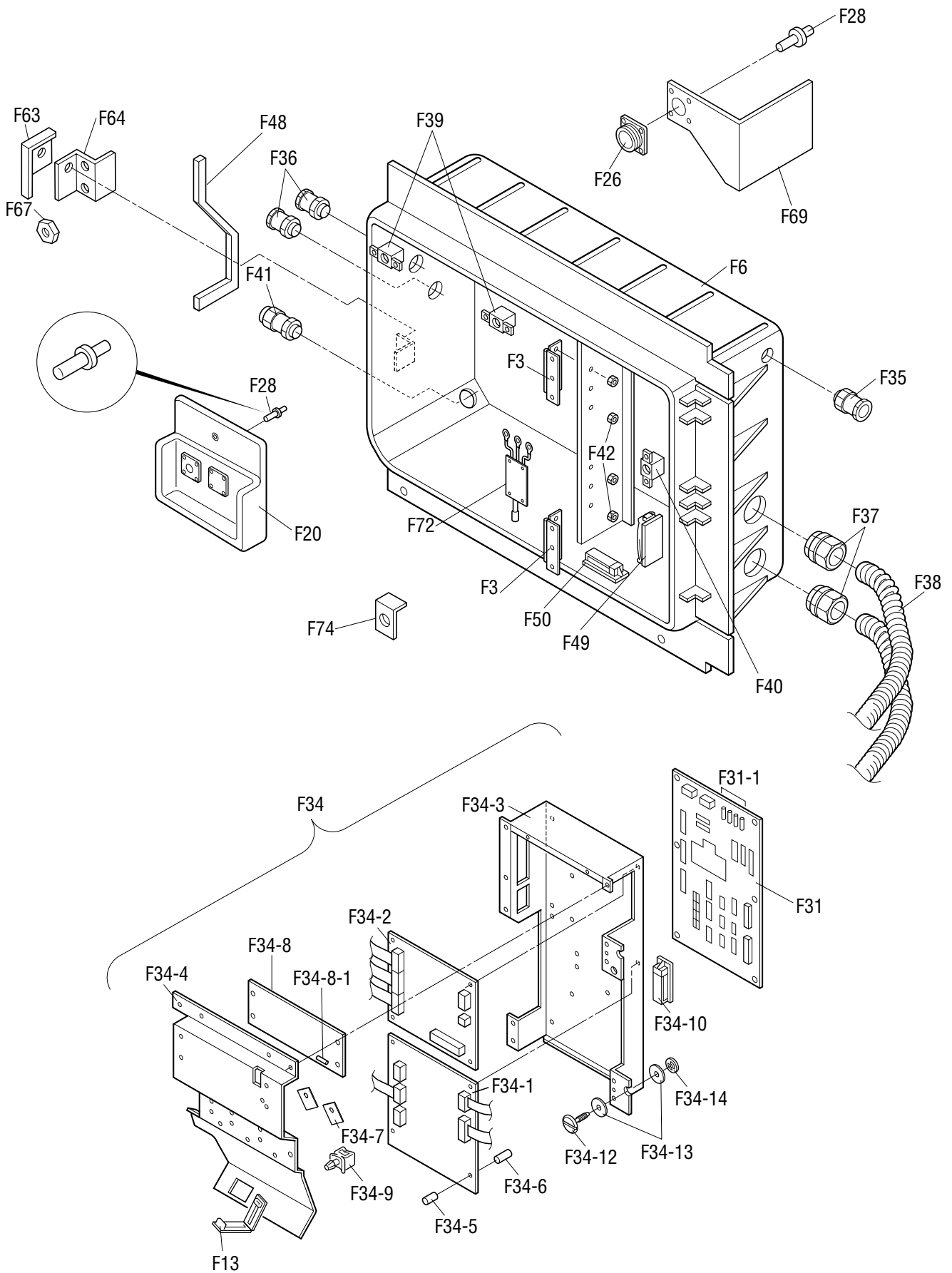
その他部品 (配管固定具、シール材、防熱材等)

NO. 符号	INDEX	PARTS NO. 部品番号	PARTS NAME 部品名称	DWG. NO. 図面番号	TYPE SPECIFICATION 形式 仕様	QTY/UNIT		REMARKS 備考
						LXE10E- A33	A33A	
E52		1584260	Cushion rubber 緩衝ゴム	NE41013-4-230		1	1	Page40
E54		1267060	Packing for prevention of air bypass バイパス防止用パッキン	4P011733-1		2	2	Page41
E55		1267077	Packing for prevention of vibration C A 前板ビビリ防止パッキン	4P050050-1		2	2	Page24
E57		1267091	Wiring protection bush 配線保護ブッシュ	4P023920-1	BLACK	2	2	Page32
E60		1267123	Thermal insulation tube piping 断熱筒配管緩衝材	4P011309-1		3	3	Page40
E61		1683989	Insulation tube EV outlet pipe 膨張弁出口配管防露筒 (P & O)	4P170252-1		1	1	Page42
E63		1267154	Insulation tube, evaporater header 蒸発器ヘッダー防露筒	4P073525-1		1	1	Page42
E64		1267161	Cushion material suction pipe(1) 吸入配管緩衝材 (1)	3P073468-1		1	1	Page42
E65		1267178	Cushion material suction pipe(2) 吸入配管緩衝材 (2)	3P073468-2		1	1	Page42
E66		1267224	Cushion material suction pipe(3) 吸入配管緩衝材 (3)	3P073468-3		1	1	Page42
E69		1267255	Thermal insulation tube 断熱筒 (吸入弁庫外側)	4P081186-1		1	1	Page42
E70		1267262	Thermal insulation tube 断熱筒 (圧縮機根元吸入弁)	4P081187-1		1	1	Page42
E71		1448371	Suction solenoid valve insulator 吸入比例弁防熱材 (1)	2P079441-1		1	1	Page42
E73		1267293	Thermal insulation tube 断熱筒配管緩衝材	4P011309-4		2	2	Page38
E76		1267325	Thermal insulation tube(drain outlet) 断熱筒 (ドレン入口管防露筒)	4P067126-1		1	1	Page42
E77		1485921	Thermal insulation tube 熱交入口管防露筒	4P117089-1		1	1	Page42
E79		0024640	Rubber bush ゴムブッシュ	R3713279-3		5	5	Page38,40
E82		1267370	Rubber bush ゴムブッシュ	R3713279-2		2	2	Page38
E83		1267387	U-packing U P 字形パッキン	NA40014-4-500	L=500	1	1	Page38
E84	B	1605509	Heat shrinkable tube 熱収縮チューブ	4P151322-1		2	2	Page39
E88		1667297	LSV cover 液電磁弁カバー	4P164903-1		1	1	Page39
E89		1656165	Mounting plate 液電磁弁・サブライセンサ固定板 (カバー有)	4P165877-1		1		Page39
E89		1779741	Mounting plate 液電磁弁・サブライセンサ固定板 (カバー有)	4P165877-2			1	Page39
E90		1381012	Protection rubber 保護ゴム	4PA43128-1		7	7	Page39
E91		1448388	Suction flange 吸入フランジシール材	4P083248-1		1	1	Page38
E92		1278921	Heat protection tie wrap 耐熱用タイラップ	4SA90202-1		5	5	
E95		1497102	Corrosion tape 吸入フランジ防食テープ	4P105751-1		2	2	







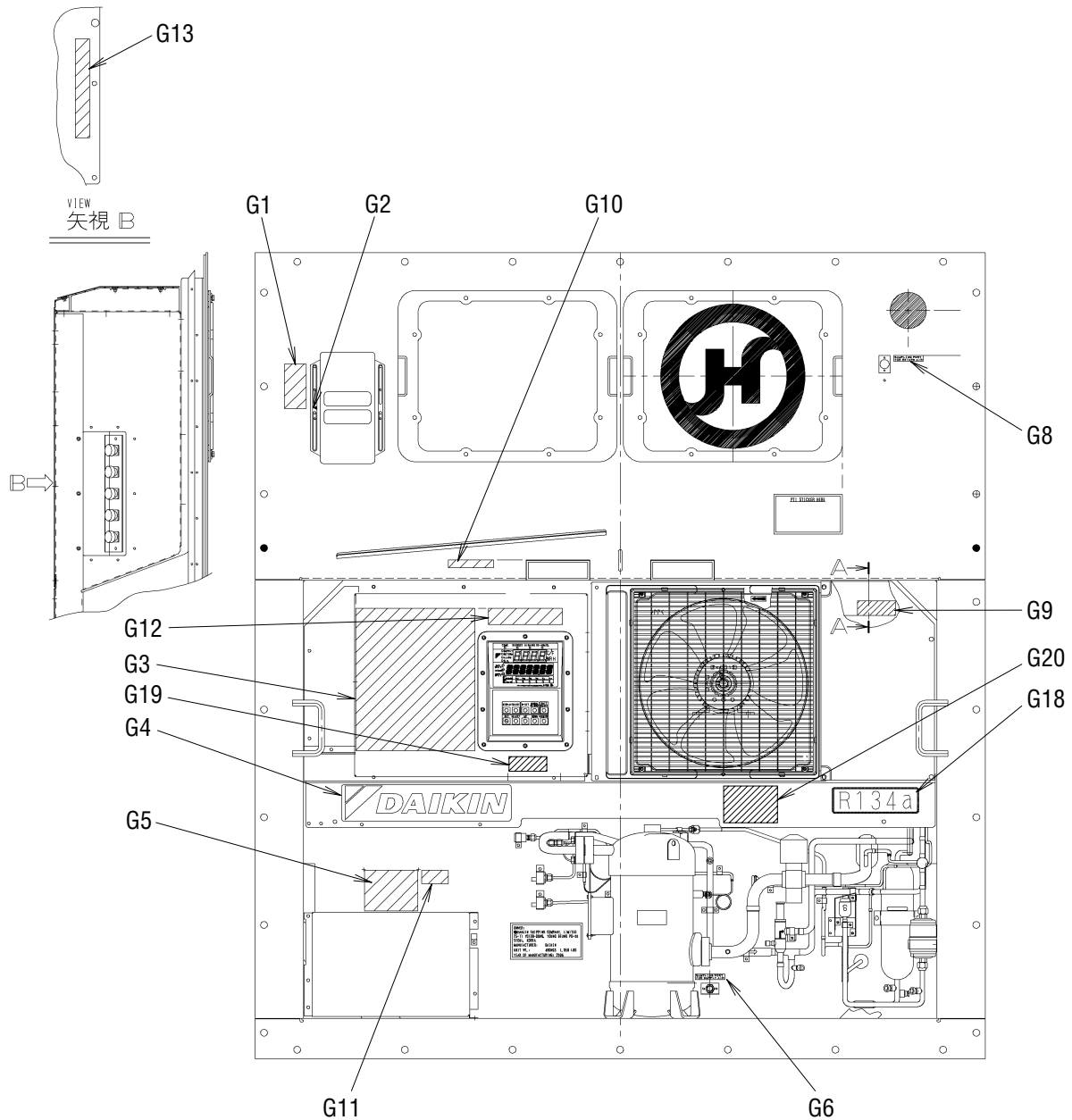


NO. 符号	INDEX	PARTS NO. 部品番号	PARTS NAME	部品名称	DWG. NO. 図面番号	TYPE SPECIFICATION 形式 仕様	QTY/UNIT		REMARKS 備考
							LXE10E- A33	A33A	
F3	C	1136407	Hinge(recorder/box cover)	平蝶番 (レコーダボックス蓋)	4P021346-1		2		
F4		1136414	Patch plate nut	当板ナット	4P044898-2		2		
F6		1622496	C.BOX welding ass'y	コントロールボックス溶接組立品	2P098553-4		1		
F6		1914203	C,BOX ass'y(resin)	コントロールボックス組立品(樹脂)	2P197567-3			1	
F7		1683996	C,BOX cover ass'y	コントロールボックス蓋組立品	2P147871-8		1		
F7		1787494	C,BOX cover ass'y	電装品箱蓋組立品	2P171706-8			1	
F7-1	C	1136407	Hinge(recorder/box cover)	平蝶番 (レコーダボックス蓋)	4P021346-1		2		
F7-1-1		1792807	Hinge 1	平蝶番 1	3P193779-1			2	
F7-1-2		1792814	Hinge 2	平蝶番 2	3P193779-2			2	
F7-1-3		1792821	Hinge pin	ヒンジピン	4P193780-1			2	
F7-2		1136414	Patch plate nut	当板ナット	4P044898-2		2	2	
F7-3		0907093	Roller, quick lock lever	ワンタッチ金具用ローラ	4PA51277-1		1		
F7-3		1267875	Roller	ワンタッチ金具用ローラ	3P054321-1			1	
F7-4		1587841	Control box cover welding ass'y	コントロールボックス蓋溶接組立品	3P085038-5		1		Refer to Page62
F7-4		1739318	Control box cover welding ass'y	コントロールボックス蓋溶接組立品	3P172570-1			1	Refer to Page62
F7-5		1267457	Operation display cover	操作表示カバー	3P078251-1	t1.0	1		
F7-5		1927829	Display Board Attachment Plate	表示基板取付板	3P078251-2			1	
F7-6	A	1095645	PCB ass'y(back light display)	プリント基板組立品(バックライト表示基板)	2P039886-1		1	1	
F7-7		1381081	Packing for control box cover	パッキン(コントロールボックス蓋)	4P085198-1		1		Refer to Page62
F7-7		1497188	Rubber gasket	パッキン(コントロールボックス蓋)	4P111693-1			1	Refer to Page62
F7-8	A	1295553	Control panel(with sheet key)	コントロールパネル(シートキー付)	3P085319-1		1	1	
F7-9		1128949	Packing	パッキン (樹脂パネル)	3P030317-1		1	1	
F13		1136539	Clamp	クランプ金具	4P015574-2		1	1	
F16-1		0907062	Seal washer	シール座金 (ボンテッド座金)	4PA21941-5		10	10	
F16-2		1267488	Pan head machine screw	アプセット小ネジ	4P067677-1	M5×16	10	10	
F17		1387197	Set plate(1)	機器取付板 (1)	2P095432-1		1		
F17		1739325	Set plate(1)	機器取付板 (1)	2P165714-1			1	
F18		1684007	Blind plate	機器カバー板溶接組立品	2P173835-1		1		
F18		1792838	Front plate, breaker	ブレーカ前板	3P195685-1			1	
F19		1381098	Mounting plate, terminal board	端子台基板取付板	3P090389-1		1		
F20		1630916	PC port fixing plate	樹脂製パソコンポート固定具(P P R 5・無)	2P154325-4		1		
F20		1792845	PC port fixing plate	樹脂製パソコンポート固定具	4P174105-1			1	
F22	A	119893J	Magnetic contactor(for Fans)	電磁接触器 (ファン用)	3P055568-1	24V PAK-6J31C	3	3	
F23	A	124149J	Magnetic contactor(Phase correction contactor)	相順切換電磁接触器 (P C C)	3P071508-3	24V RSK-35J	1	1	
F24	A	119891J	Magnetic contactor(Compressor)	電磁接触器 (圧縮機)	3P055566-1	24V PAK35J-S536	1	1	
F25	C	1562796	Low frequency transformer	低周波変圧器	3P139293-1		1	1	
F26	C	0991531	PC port connector	パソコンポートコネクタ	3P010803-1			4	
F26	C	1381113	PC port connector	パソコンポートコネクタ	3P073218-1		1		
F27	A	1381120	Earth leakage circuit breaker	漏電遮断器	3P093326-1		1	1	
F28	C	1141144	Contact, receptacle	コンタクタ	3P010806-1	HD10	3	3	

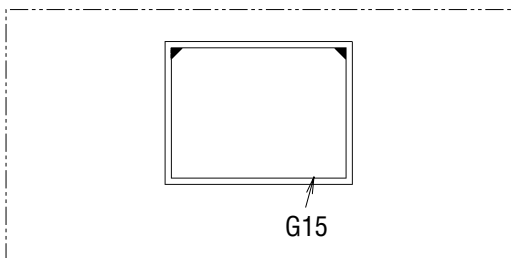
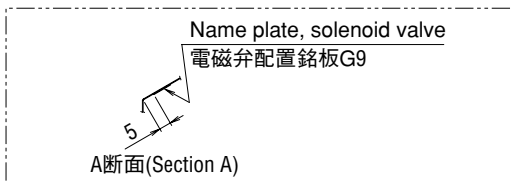
NO. 符号	INDEX	PARTS NO. 部品番号	PARTS NAME	部品名称	DWG. NO. 図面番号	TYPE SPECIFICATION 形式 仕様	QTY/UNIT		REMARKS 備考
							LXE10E-		
							A33	A33A	
F29		1267541	Cover ass'y, PC port	パソコンポートカバー組立品	3P010743-1			4	
F30	A	0954633	PT/CT board	P T / C T ボード	2P010906-3			1	1
F31	A	1256116	Terminal strip boaed	端子台基板	2P078284-1			1	
F31	A	1679137	Terminal strip boaed	端子台基板	2P174377-1				1
F31-1	A	003065J	Fuse, controller	制御用ヒューズ	4SA42006-4	250V 10A		1	1
F33	A	0329679	Reverse phase protector	逆相保護装置 (R P P)	3SA42153-1	346-440V		1	
F33		1787230	Reverse phase protector	プリント基板 (逆相保護)	3P198363-1				1
F34		1684014	Controller assemblies	コントローラ組立品	3P173640-1			1	
F34		1787502	Controller assemblies	コントローラ組立品	3P172236-9				1
F34-1	A	1642553	PCB ass'y	プリント基板組立品	2P161091-2			1	1
F34-2	A	0954594	I/O board ass'y	I / O ボード	2P010367-1			1	
F34-2		1775484	PCB ass'y(EC0630)	プリント基板 A S S Y (E C 0 6 3 0)	2P010367-3				1
F34-3		1685163	Base plate, controller	コントローラ底板溶接組立品	3P173625-1			1	
F34-3		1787519	Bottom plate	コントローラ底板	2P168028-2				1
F34-4		1684038	Controller cover	蓋 (コントローラ)	2P173577-1			1	
F34-4		1787526	Controller cover	コントローラ蓋	2P195511-1				1
F34-5		1099940	Support bushing, PCB	プリント基板サポートブッシュ	MI49531-11			18	18
F34-6		1099957	Support color, PCB	プリント基板サポートカラー	MI49531-13			14	14
F34-7		1267572	Rubber transistor	放熱用ゴムトランジスタ	4P005330-1			3	3
F34-8	A	1250783	PC board for suction modulating valve	プリント基板組立品 (吸入制御弁用)	3P065441-1	EC0058		1	1
F34-8-1	A	044543J	Fuse, control	制御用ヒューズ	4SA42006-3	250V 5A		1	1
F34-9		1267596	Locking wire saddle	ロッキングワイヤサドル	4P015570-2	LWS		4	3
F34-10		1267604	Flat cable clamp	フラットケーブルクランプスナップタイプ	4P015573-1			1	
F34-10		1136539	Clamp	クランプ金具	4P015574-2				1
F34-11		1136539	Clamp	クランプ金具	4P015574-2			2	
F34-12		1267611	Speed bolt	スピードボルト (M6)	4P048680-3	M6X20(S)		2	1
F34-13		860005	Washer, speed bolt	スピードボルト用座金	R4713334			4	2
F34-14		840002	Drop out prevention washer	脱落防止座金	R4718607-6			2	1
F34-15	A	1099762	Back light PC board	バックライト電源P板	2P039884-1			1	
F35		1267628	Wire(wire ground)	電線 (電線グラウンド)	4P067662-1			1	1
F36		1267635	Wire(wire ground)	電線 (電線グラウンド)	4P067663-1			4	2
F37		1635346	Wire ground, flexible tube	樹脂製フレキシブル管用グラウンド	4P157387-1			2	2
F38		1635353	Flexible tube(resin)	樹脂製フレキシブル管	4P157410-1			2	2
F39		1267666	Quick fastener	クイックファスナー	4P064642-1			2	2
F40		860015	Universal nut	自在ナット	R4713188-1			2	1
F41		1743216	Wire ground,flexible tube	樹脂製フレキシブル管用コネクタ	4P010926-7				1
F42		833302	Nylon nut	ナイロンナット	R4716460-1	M4		4	4
F44		1099940	Support bushing, PCB	プリント基板サポートブッシュ	MI49531-11			7	
F45		1099957	Support color, PCB	プリント基板サポートカラー	MI49531-13			7	
F46		981616	Locking card spacer	ロッキングカードスペーサー	R3428091-3	KGLS-8S		4	

NO. 符号	INDEX	PARTS NO. 部品番号	PARTS NAME	部品名称	DWG. NO. 図面番号	TYPE SPECIFICATION 形式 仕様	QTY/UNIT		REMARKS 備考
							LXE10E-		
							A33	A33A	
F46		380401	Locking card spacer	ロッキングカードスペーサー	R3428091-2			4	
F48		1326820	Packing for control box front plate	パッキン(コントロールボックス前板(左))	4P085513-1		1		
F48		1739387	Packing for control box front plate	パッキン(コントロールボックス前板(左))	4P172580-1			1	
F49		1136539	Clamp	クランプ金具	4P015574-2		2	2	
F50		1267712	Clamp	クランプ金具	3P049495-1		1	1	
F57		1549894	Sset plate(PT/CT board)	機器取付板 (P T / C T ボード)	3P126713-1		1		
F57		1739394	Breaker plate 1	ブレーカ取付板 (1)	3P168052-1			1	
F58		1267781	Mounting plate, elect components	電装品取付板	4P064227-1	t=1.2	1		
F58		1739495	Mounting plate, elect components	電装品取付板 (2)	4P064227-2			1	
F59		1549902	Set plate(breaker)	機器取付板 (ブレーカ)	3P126712-1		1		
F59		1739402	Breaker plate 2	ブレーカ取付板 (2)	3P168051-1			1	
F61		1295623	Fixtture(instruction ring)	固定具(インストラクションリング)	4P064698-1	Wire diameter	1	1	
F62		1381175	Circuit board spacer	サーキットボードスペーサ	4P000347-1		4		
F63		1295630	Lever	ワンタッチ金具	4P085171-1		1	1	
F64		1295647	Fixing plate for lever	ワンタッチ金具取付板	4P085164-1		1	1	
F65		0907125	Sealed sheet	絶縁シート (ワンタッチ金具)	4PA52417-1	t0.075±0.01	1		
F66		0907132	Sealed sheet	絶縁シート (ワンタッチ金具)	4PA52417-2	t0.075±0.01	1		
F67		833301	Nylon nut	ナイロンナット	R4716460-3	M6	3	3	
F68		1684418	Set plate, RPP with PC port	P C ポート付逆相保護取付板	3P173817-1		1		
F69		1792852	Mounting plate breaker, front plate(3)	ブレーカ前板取付板 (3)	3P194363-1			1	
F72	A	1780284	Humidty sensor (HUS)	湿度センサー	3PA61738-3	RHU-600A-D2	1	1	
F73		1684425	Mounting plate, battery	リチャージャブルバッテリーホルダー	4P170758-1		1		
F73	A	0954640	Noise filter	ノイズフィルタ	2PA51273-1	ZAC2206-11		1	
F74		1684432	Cushion rubber	緩衝ゴム	4P171494-1		1		
F74		1780291	Protection plate	保護板 (Y O R K 製モデム)	4P176030-1			1	
F75		1679430	Battery	電池	3P174899-1		1		
F75		1780309	Bushing	ワンタッチ金具ローラ用ブッシュ	4P171668-2			1	
F76	A	1684449	Chargeble battery PCB ass'y	充電器 P 板組立品	2P174898-1		1		
F76		1780316	Mounting plate, RPP	逆相保護装置取付板	4P168038-1			1	
F77		1684456	Mounting plate	充電・残ボルトメータ P 板取付板	4P172284-1		1		
F78		1684463	Spacer	スペーサ	4P171495-1		4		
F79		1684470	Indication plaque	表示銘板	4P172617-1		1		

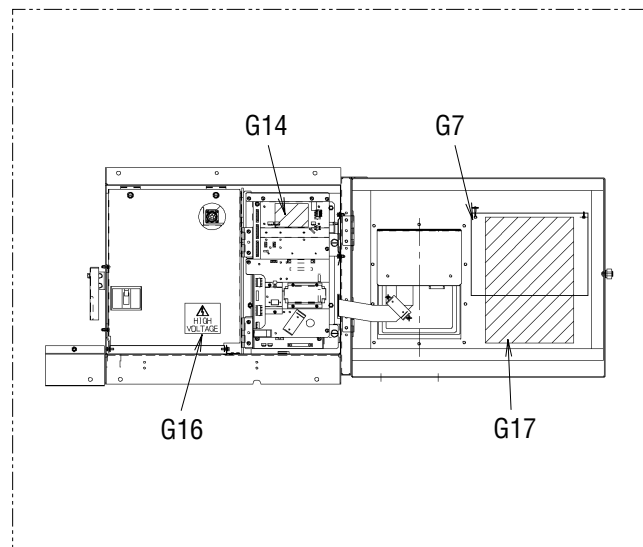
NO. 符号	INDEX	PARTS NO. 部品番号	PARTS NAME	部品名称	DWG. NO. 図面番号	TYPE SPECIFICATION 形式 仕様	QTY/UNIT		REMARKS 備考
							LXE10E-	A33 A33A	



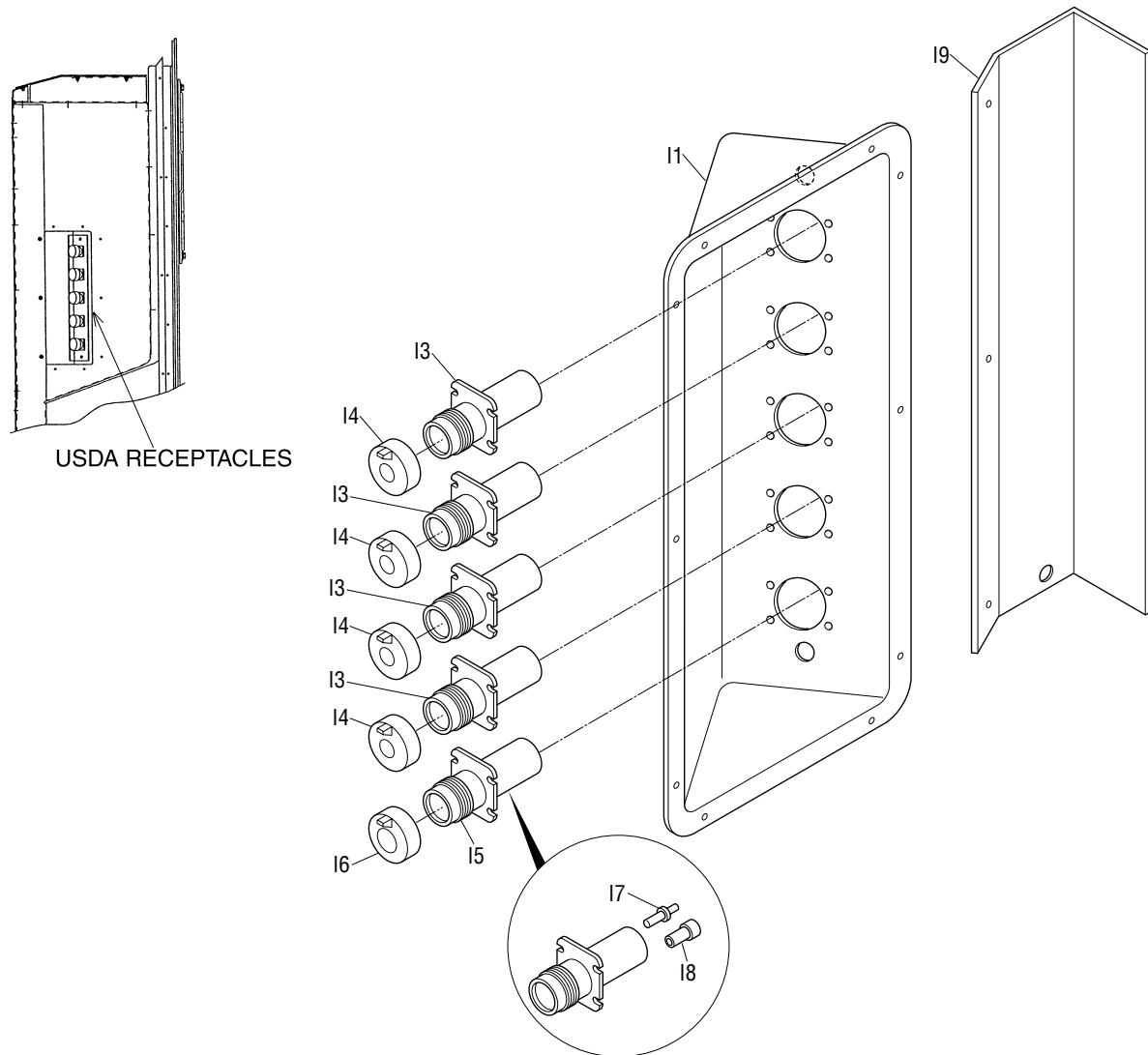
電磁弁配置銘板貼付位置詳細
(Detail location of nameplate, solenoid valve)



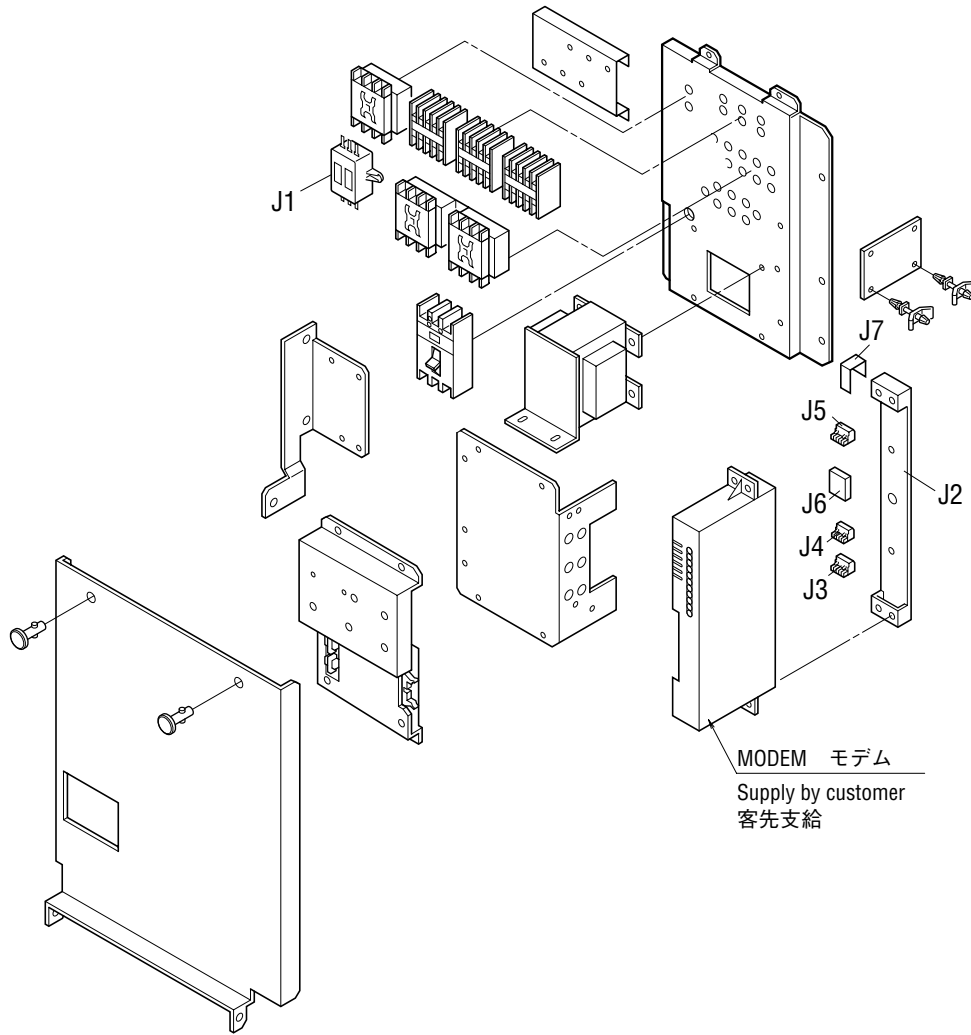
コントロールボックス内部(Inside of Control Box)



NO. 符号	INDEX	PARTS NO. 部品番号	PARTS NAME	部品名称	DWG. NO. 図面番号	TYPE SPECIFICATION 形式仕様	QTY/UNIT		REMARKS 備考
							LXE10E-		
							A33	A33A	
G1		1684045	Name plate, ventilator	換気口銘板 (%併記仕様)	4P176172-1		1	1	
G2		1267952	Name plate, ventilator arrow	ベンチレータ矢印銘板	4P018502-1		1	1	
G3		1646081	Name plate, operation	操作銘板 (C & M O D E , 韓)	1P163749-1		1	1	Refer to Page62
G4		1306530	Name plate, Brand name	意匠銘板	4P085985-1		1		Refer to Page63
G4		1726552	Name plate, Brand name and refrigerant label	意匠銘板および冷媒銘板	3P174603-1			1	Refer to Page63
G5		1787533	Item list manufacturer's label	機械銘板記載項目一覧表	3P176220-1		1		
G5		1787540	Item list manufacturer's label	機械銘板記載項目一覧表	3P196765-1			1	
G6		1381423	Name plate, check point(return)	サーモチェックポイント(吹出側)	4P103582-2		1	1	
G7		1646098	INST. Card (emergency & service port)	インストラクションカード(エマージェンシーサービスポート(韓・英))	3P163746-1		1		
G7		1783500	INST. Card (emergency & service port)	インストラクションカード(エマージェンシーサービスポート(韓・英))	3P181408-1			1	
G8		1381346	Name plate, check point(supply)	サーモチェックポイント(吸込側)	4P103582-1		1	1	
G9		1605491	Name plate, solenoid valve location	電磁弁配置銘板 (P & O)	4P151256-1		1		
G9		1739419	Name plate, solenoid valve location	電磁弁配置銘板 (R S V 有)	4P182831-1			1	
G10		1495214	Caution label, reheat coil	レヒートコイル注意銘板	4P127562-1		1	1	
G11		1684052	Warranty terms label	保証期間銘板 (H A N J I N)	4P176800-1		1	1	
G12		1684069	Name plate, operation	操作銘板 (F / ° C 変換表)	3P176175-1		1	1	Refer to Page62
G13		1381391	Name plate, USDA	U S D A 銘板	3P074006-1		1	1	
G14		1381416	Name plate, emergency	エマージェンシー銘板(吸入比例弁)	3P069655-1		1	1	
G15		1684076	Name plate protective sheet	銘板用保護シート	4P170203-1		1	1	
G16		1181267	Caution label, high voltage	高電圧注意銘板	4P010095-1	English	1	1	
G17		1684083	Electric wiring diagram label	電気配線図銘板	2D052106-1		1		
G17		1787557	Electric wiring diagram label	電気配線図銘板	2D056791-1			1	
G18		1178843	Name plate, refrigerant	冷媒銘板	3P009750-1		1		Refer to Page63
G19		1792869	Name plate, PC port	P C ポート銘板	4P200020-1			1	
G20		1792876	Name plate, Service port	サービスポート銘板	4P181714-1			1	

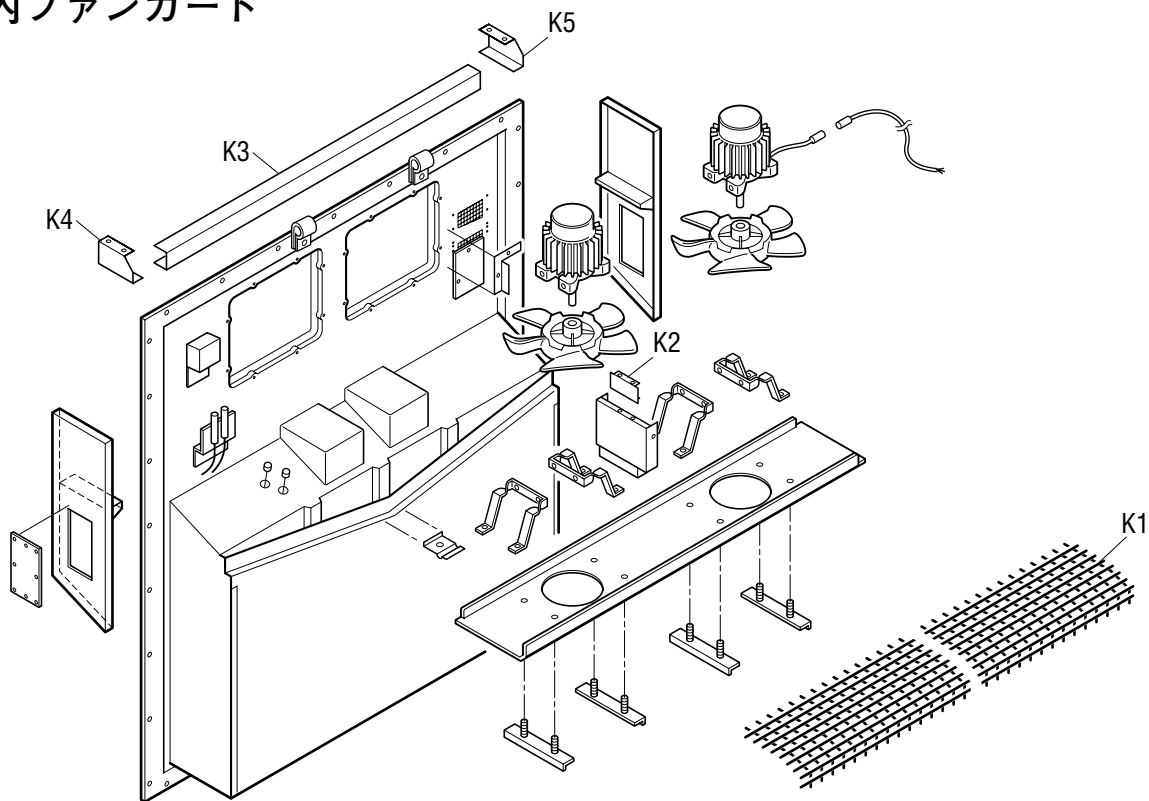


NO. 符号	INDEX	PARTS NO. 部品番号	PARTS NAME	部品名称	DWG. NO. 図面番号	TYPE SPECIFICATION 形式 仕様	QTY/UNIT		REMARKS 備考
							LXE10E- A33	A33A	
11		1622580	Mounting plate ass'y, receptacle	U S D A 取付板 (樹脂)	2P146266-1		1	1	
13	C	0991531	PC port connector	パソコンポートコネクタ	3P010803-1		4	4	
14		1267541	Cover ass'y, PC port	パソコンポートカバー組立品	3P010743-1		4	4	
15	C	1381113	PC port connector	パソコンポートコネクタ	3P073218-1		1	1	
16		1381137	PC port connector ass'y	パソコンポートカバー組立品	3P010743-2		1	1	
17	C	1141144	Contactora, receptacle	コンタクタ	3P010806-1	HD10	11	11	
18		1381221	Straight pin	平行ピン(ドイツ製シールピン)	3P040139-1		6	6	
19		1622597	USDA Receptacle cover	U S D A レセプタクルカバー	3P146268-1		1	1	

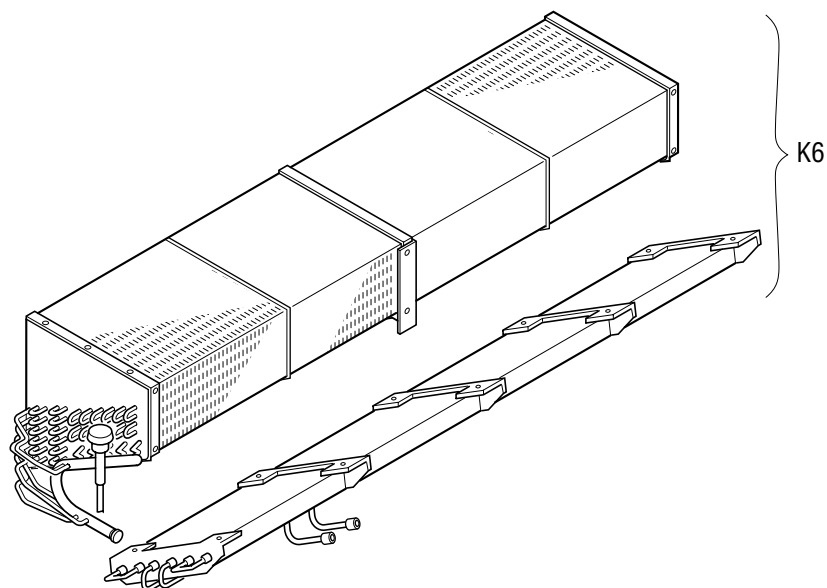


NO. 符号	INDEX	PARTS NO. 部品番号	PARTS NAME	部品名称	DWG. NO. 図面番号	TYPE SPECIFICATION 形式 仕様	QTY/UNIT		REMARKS 備考
							LXE10E-		
							A33	A33A	
J1	A	0954640	Noise filter	ノイズフィルタ	2PA51273-1	ZAC2206-11	1	1	
J2		1448410	Mounting plate(modem)	取付板 (モデム)	4P081133-1		1		
J3		1267736	Connector for MODEM	モデム用コネクタ	3P012038-3	BLA3	1	1	
J4		1267743	Connector for MODEM	モデム用コネクタ	3P010371-7		1	1	
J5		1267750	Connector for MODEM	モデム用コネクタ	3P012038-7	BLA7	1	1	
J6	B	0468839	Noise filter(for modem)	ノイズフィルター (モデム用)	3EA76001-1		1	1	
J7		1780291	Protection plate	保護板 (YORK製モデム)	4P176030-1			1	

1. Indoor fan guard
1. 庫内ファンガード



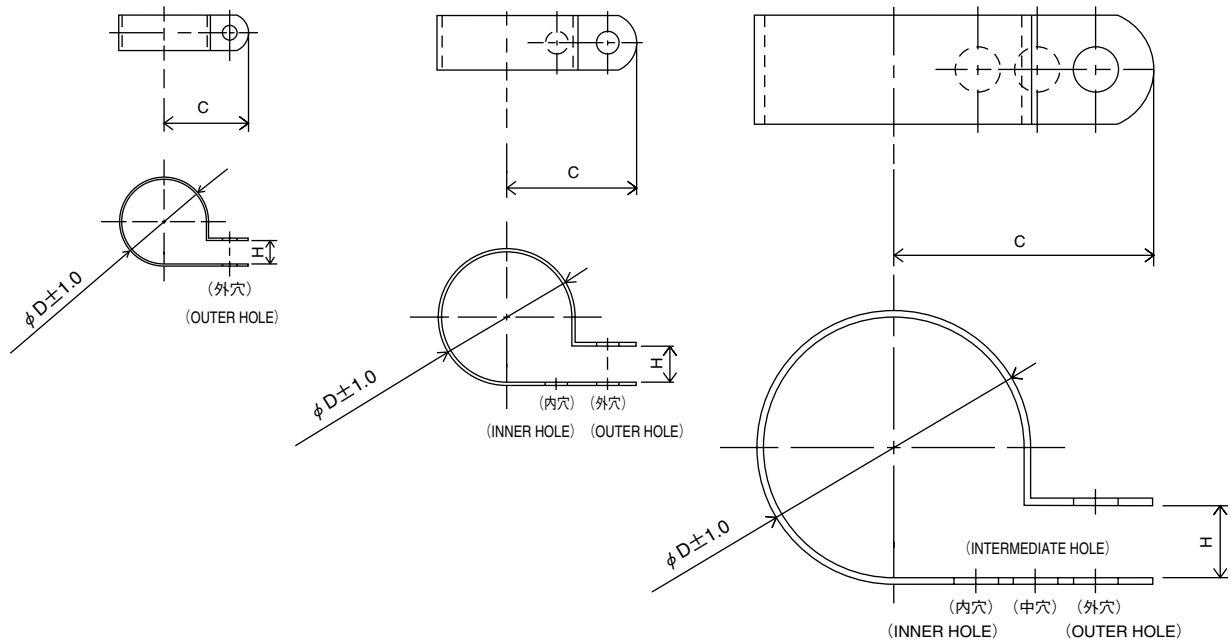
2. Evaporator coil
2. 蒸発器コイル組立品



NO. 符号	INDEX	PARTS NO. 部品番号	PARTS NAME	部品名称	DWG. NO. 図面番号	TYPE SPECIFICATION 形式 仕様	QTY/UNIT		REMARKS 備考
							LXE10E-		
							A33	A33A	
K1		1605299	Inside fan cover	庫内ファンカバー (P & ON)	3P150480-1		2	2	
K2		1605484	Fixture	固定具 (網・中央)	4P150653-1		1	1	
K3		1605307	Inside fan cover stay	庫内ファンカバーステー (P & ON)	3P150525-1		1	1	
K4		1381500	Fixture	固定具 (網/左)	3P098695-1		1	1	
K5		1381517	Fixture	固定具 (網/右)	3P098695-2		1	1	
K6		1683927	Evaporator ass'y	蒸発器組立品	2P163797-1	CRB-LXE10E9	1		
K6		1787470	Evaporator ass'y	蒸発器組立品	2P195931-1	CRB-LXE10E15		1	

1. Resin clamp

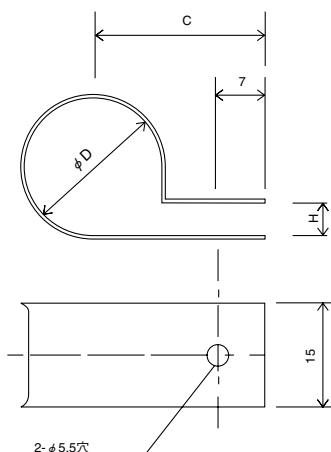
1. 樹脂バンド



NO. 符号	PARTS NO. 部品番号	PARTS NAME	部品名称	DWG NO. 図面番号	SIZE サイズ			QTY	
					D	C	H	LXE10E-	
								A33	A33A
E10	1222764	Resin clamp	樹脂バンド	NE41015-9	26.9	27.8	7.9	1	1
E11	0944528	Resin clamp	樹脂バンド	NE41015-7	19.8	24.6	7.9	2	2
E12	0142492	Resin clamp	樹脂バンド	NE41015-10	29.2	29.4	7.9	2	2
E13	1266788	Resin clamp	樹脂バンド	NE41015-12	39.4	34.2	9.5	6	6

2. Tube clamp

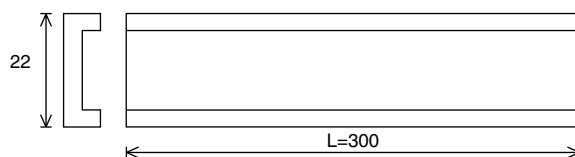
2. 管止金



NO. 符号	PARTS NO. 部品番号	PARTS NAME	部品名称	DWG NO. 図面番号	SIZE サイズ			QTY	
					D	C	H	LXE10E-	
								A33	A33A
E6	1592425	Tube clamp	管止め金	NE31016-58	24	27	5	2	3
E15	0782775	Tube clamp	管止め金	NE31016-51	10	20	3	6	6
E16	1584215	Nylon coating tube clamp	ナイロンコーティング管止め金	4P143802-51	10	20	3	6	
E17	1584208	Nylon coating tube clamp	ナイロンコーティング管止め金	4P143802-52	12	21	3	1	1
E21	0016290	Tube clamp	管止め金	NE31016-56	20	25	5	1	1
E22	1584239	Nylon coating tube holder	ナイロンコーティング管止め金	4P143802-71	6.4	20	1	4	4
E27	1266858	Tube clamp	管止め金	NE31016-59	26	28	5	2	1
E29	1584246	Nylon coating tube clamp	ナイロンコーティング管止め金	4P143802-59	26	28	5	1	1

3. Cushion rubber for pipe clamp

3. 管止金用緩衝ゴム



NO. 符号	PARTS NO. 部品番号	PARTS NAME	部品名称	DWG NO. 図面番号	REMARKS 備考	QTY	
						LXE10E-	
						A33	A33A
E35	1584253	Cushion rubber	管止金用緩衝ゴム	NE41013-3-300	Cut to suit pipe size. 配管サイズに合わせて切って使用のこと	1	1

1. Parts recommended to be ordered together with packing, gasket, sealing material and name plate
1. 発注の際にパッキングやシール材、銘板等の同時発注を推奨する部品

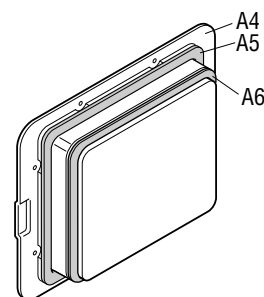
For ordering following spare parts, we recommend that you order the following packing, gasket, sealing material and name plate together at the same time.

上記のサービス扉やボックスカバーを発注の際には、下記のパッキングを同時に発注することをおすすめします。

(1) Service door

(1) サービス扉

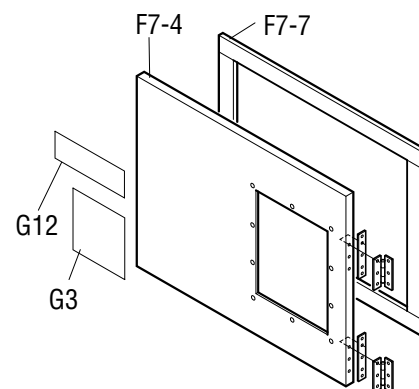
NO. 符号	PARTS NO. 部品番号	PARTS NAME 部品名称	DWG NO. 図面番号	REMARKS 備考
A4	1612576	Access panel (FRP) サービス扉組立品	1P006678-5	(Without cushion and sealing material) (クッション材、シール材なし)
A5	1266207	Cushion material (access panel) クッション材 (サービス扉)	3P033608-1	
A6	1196113	Sealing material (access panel) シール材 (サービス扉)	3P001640-2	



(2) Control box cover

(2) コントロールボックスカバー

NO. 符号	PARTS NO. 部品番号	PARTS NAME 部品名称	DWG NO. 図面番号	QTY	
				LXE10E-A33	A33A
F7-4	1587841	C-BOX Cover welding ass'y コントロールボックス蓋溶接組立品	3P085038-5	1	
F7-4	1739318	C-BOX Cover welding ass'y コントロールボックス蓋溶接組立品	3P172570-1		1
F7-7	1381081	Rubber gasket ゴムガスケット (C. BOX蓋用パッキン)	4P085198-1	1	
F7-7	1497188	Rubber gasket ゴムガスケット (C. BOX蓋用パッキン)	4P111693-1		1
G3	1646081	Name plate, operation 操作銘板 (C&MODE, 韓・英)	1P163749-1	1	1
G12	1684069	Name plate, operation 操作銘板 (F/°C変換表)	3P176175-1	1	1



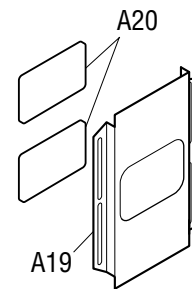
※Wiring diagram name plate is different by model.

※電気配線図銘板は機種により異なります。

(3) Ventilation cover

(3) 換気口蓋

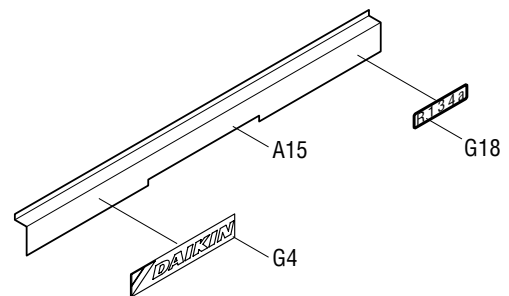
NO. 符号	PARTS NO. 部品番号	PARTS NAME 部品名称	DWG NO. 図面番号
A19	1266120	Ventilation cover 換気口蓋	3P067053-1
A20	1266221	Sealing material (Ventilator) シール材 (換気口)	4P016185-1



(4) Front plate (CA)

(4) 前板 (CA)

NO. 符号	PARTS NO. 部品番号	PARTS NAME 部品名称	DWG NO. 図面番号	QTY	
				LXE10E- A33	A33A
A15	1661299	Front plate (CA) 前板 (C A)	2P165976-1	1	
A15	1739286	Front plate (CA) 前板 (C A)	2P173133-1		1
G4	1306530	Brand name label 意匠銘板	4P085985-1	1	
G4	1726552	Name plate, Brand name and refrigerant label 意匠銘板 および 冷媒銘板	3P174603-1		1
G18	1178843	Name plate, refrigerant 冷媒銘板	3P009750-1	1	



2. Order for motorized valve, solenoid valve and pressure regulating valve

2. 電動弁・電磁弁・圧力調整弁の発注

Refer to the following table for the name, main body, solenoid coil and ass'y of solenoid valves etc. applied to this model.

この機種に使用されている電磁弁等の名称と本体・コイル・組立品は下記のとおりです。

	Body/Coil 本体/コイル	NO. 符号	PARTS NO. 部品番号	PARTS NAME	部品名称	DWG NO. 図面番号	QTY		Common Parts 共通部品		
							LXE10E-		NEV-803DXF	NEV-202DXF	NEV-MOAB507C
							A33	A33A			
1.EV	本体 Body	B7-3	125649J	Electronic expansion valve body ass'y	電子膨張弁本体組立品	2SA50010-2-KU	1	1			
	コイル Coil	B20	138143J	Motor operated valve coil	電動弁コイル	2P010454-2	1	1			
2.HSV	本体 Body	B7-4	1411533	Hot gas solenoid valve body	ホットガス電磁弁本体	3SA52069-1	1		○		
		B7-4	1787247	Hot gas solenoid valve body	ホットガス電磁弁本体	3P198486-1		1			
	コイル Coil	B7-5	1266290	Hot gas solenoid valve coil	ホットガス電磁弁コイル	3P010453-2	1	1			○
3.DSV	本体 Body	B7-4	1411533	Defrost bypass solenoid valve body	デフロストバイパス電磁弁本体	3SA52069-1	1		○		
		B7-4	1787247	Defrost bypass solenoid valve body	デフロストバイパス電磁弁本体	3P198486-1		1			
	コイル Coil	B7-5	1266290	Defrost bypass solenoid valve coil	デフロストバイパス電磁弁コイル	3P010453-2	1	1			○
4.BSV	本体 Body	B7-4	1411533	Gas bypass solenoid valve body	ガスバイパス電磁弁本体	3SA52069-1	1	1	○		
		B7-4	1787247	Gas bypass solenoid valve body	ガスバイパス電磁弁本体	3P198486-1		1			
	コイル Coil	B7-5	1266290	Gas bypass solenoid valve coil	ガスバイパス電磁弁コイル	3P010453-2	1	1			○
5.ESV	本体 Body	B7-6	0088738	Economizer solenoid valve body	エコノマイザー電磁弁本体	R3305099-1-KI	1	1		○	
	コイル Coil	B7-5	1266290	Economizer solenoid valve coil	エコノマイザー電磁弁コイル	3P010453-2	1	1			○
6.ISV	本体 Body	B7-6	0088738	Injection solenoid valve body	インジェクション電磁弁本体	R3305099-1-KI	1	1		○	
	コイル Coil	B7-5	1266290	Injection solenoid valve coil	インジェクション電磁弁コイル	3P010453-2	1	1			○
7.LSV	本体 Body	B4-5	1411533	Liquid solenoid valve body	液電磁弁本体	3SA52069-1	1		○		
		B4-5	1787247	Liquid solenoid valve body	液電磁弁本体	3P198486-1		1			
	コイル Coil	B4-6	0955287	Liquid solenoid valve coil	液電磁弁コイル	3P010453-1	1	1			○
8.SMV	組立品 Ass'y	B8-1	1254538	Suction modulating valve ass'y	吸入比例弁 A S S Y	2P078385-1	1	1			Note 1 注 1
9.DPR	組立品 Ass'y	B3-4	1241361	Discharge pressure regulating valve	吐出圧力調整弁	3P074558-1	1	1			

Note 1 : Refer Page 28, 29 and 30 for detail parts of suction modulating valve.

注 1 : SMV (吸入比例弁) の詳細部品はP.28、29、30を参照ください。

Note 2 : Difference of solenoid valve No.1266290 and 0955287.

No.1266290 (3P010453-2) : Lead wire length 1550mm

No.0955287 (3P010453-1) : Lead wire length 2000mm

注 2 : 電磁弁No.1266290とNo.0955287の違い。

No.1266290 (3P010453-2) : リード線長さ1550mm

No.0955287 (3P010453-1) : リード線長さ2000mm

3. Order for pressure trasducer

3. 圧力センサーの発注

Refer to the following table for the pressure transducer applied to this model.

For ordering pressure transducer, we recommend that you order the following best shrinkable tube together at the same time.

この機種に使用している圧力センサーは下記の通りです。

圧力センサー発注の際は、下記の熱収縮チューブを同時に発注することをおすすめします。

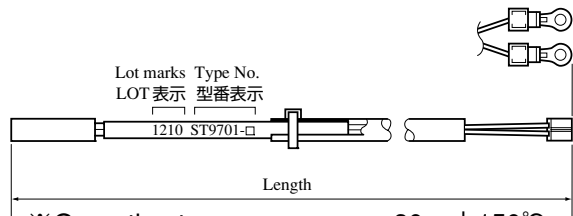
呼称名	NO. 符号	PARTS NO. 部品番号	PARTS NAME	部品名称	DWG NO. 図面番号	TYPE 形式	REMARKS 備考
HPT	B16	1587959	High pressure transducer	高压圧力センサ	3P141602-1	NSK-BD030F-070	
LPT	B15	1587942	Low pressure transducer	低压圧力センサ	3P141601-1	NSK-BC010F-070	
	E84	1605509	Heat shrinkable tube	圧力センサ熱収縮チューブ	4P151322-1	SPCL02	Must be applied when replacing above sensors. 上記圧力センサー交換時使用の事。

4. Order for temperature sensor

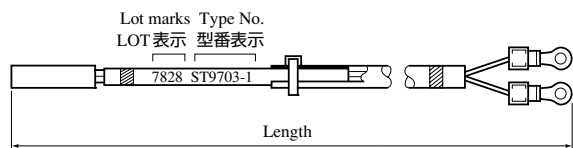
4. 温度センサーの発注

Refer to the following table for temperature sensors applied to this model.

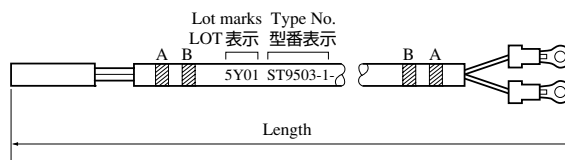
この機種に使用されている温度センサーは下記の通りです。



※Operating temp. range -30~+150°C
使用温度範囲 -30~+150°C



※Operating temp. range -30~+15°C
使用温度範囲 -30~+15°C



※Operating temp. range -30~+70°C
使用温度範囲 -30~+70°C

※1 Location 取付場所

Indoor A : Indoor supply air side

Indoor B : Indoor return air side

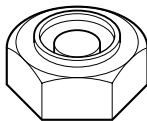
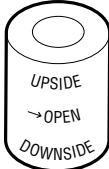
庫内A : 庫内吹出空気側

庫内B : 庫内吸込空気側

呼称	NO. 符号	PARTS NO. 部品番号	PARTS NAME 部品名称	DWG. NO. 図番	TYPE 形式	WIRE COLOR 配線色		LENGTH 全長mm	※1 LOCATION 取付場所	QTY/UNIT		TEMPORALY EXCHANGABILITY 緊急時互換性
						A	B			LXE10E-		
										A33	A33A	
1. SS	C24	137531J	Supply air temp. sensor	3PA61769-11	ST9503-11	green 緑	-	4700	Indoor A 庫内A	1		○
	C24	1713330	Supply air temp. sensor	3PA61769-16	ST9503-16	green 緑	-	4700	Indoor A 庫内A		1	○
2. DSS	C25	1375327	Data recorder supply air temp. sensor	3PA61769-12	ST9503-12	green 緑	Red 赤	4700	Indoor A 庫内A	1		○
	C25	1713347	Data recorder supply air temp. sensor	3PA61769-17	ST9503-17	green 緑	Red 赤	4700	Indoor A 庫内A		1	○
3. RS	C26	1375334	Return air temp. sensor	3PA61769-13	ST9503-13	Blue 青	-	6700	Indoor B 庫内B	1		○
	C26	1713354	Return air temp. sensor	3PA61769-18	ST9503-18	Blue 青	-	6700	Indoor B 庫内B		1	○
4. DRS	C27	1375341	Data recorder return air temp. sensor	3PA61769-14	ST9503-14	Blue 青	Red 赤	6700	Indoor B 庫内B	1		○
	C27	1713361	Data recorder return air temp. sensor	3PA61769-19	ST9503-19	Blue 青	Red 赤	6700	Indoor B 庫内B		1	○
5. EIS	D4	156282J	Evaporator inlet temp. sensor	3P012118-2	ST9703-2	Brown 茶		2500	Indoor EVP. 庫内蒸発器	1	1	
6. EOS	D5	156283J	Evaporator outlet temp. sensor	3PA61769-15	ST9503-15	Yellow 黄	-	2600	Indoor EVP. 庫内蒸発器	1	1	○
7. DCHS	B11	098332J	Discharge pipe temp. sensor	3SA48009-10	ST9701-10			2800	Outdoor 庫外	1	1	
8. AMBS	B12	0798321	Ambient air temp. sensor	3PA61769-6	ST9503-6	-	-	3200	Outdoor 庫外	1	1	○
9. SGS	B13	098333J	Compressor suction gas temp. sensor	3PA61769-9	ST9503-9	White 白	-	3200	Outdoor 庫外	1	1	○

1. Tools for emergency operation

1. 緊急運転用工具

NO. 符号	PARTS NO. 部品番号	PARTS NAME	部品名称	DWG NO. 図面番号	USE 用途	ILLUSTRATION 姿図
-	1080263	Emergency coil cap	エマージェンシー コイルキャップ	3P017370-1	For electronic expansion valve 電子膨張弁用	
-	1270530	Emergency magnet	エマージェンシー マグネット	2P078385-2	Suction modulating valve 吸入比例弁用	

(See Service Manual for application.)

(使用方法はサービスマニュアルを参照ください。)

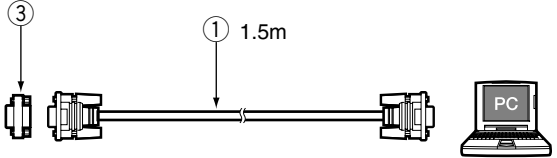
2. Personal computer cable (for DCCS)

2. パソコンケーブル（DCCS用）

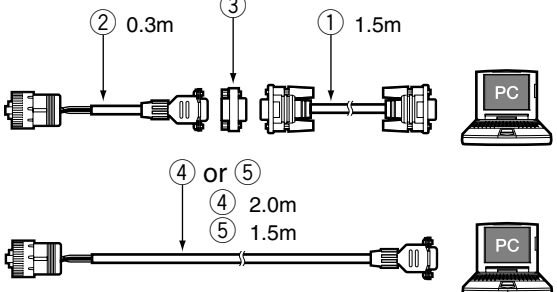
The following parts are connector cables required to exchange information between the refrigeration unit and personal computer. The table below describes parts required to apply to Model LXE-C, -D, and -E new model.

下記の部品は冷凍ユニットとパソコンの情報交換に必要なコネクタ、ケーブル類です。LXE-C型、D型、及び新機種E型対応に必要な部品を掲載しています。

[TYPE A]タイプA

LXE10C LXE10CA LXE10D for MOL	LXE10C LXE10CA MOL用LXE10D	
(Receptacle) RS232C (Female) on the controller	(レセプタクル) RS232C (メス) コントローラー側	

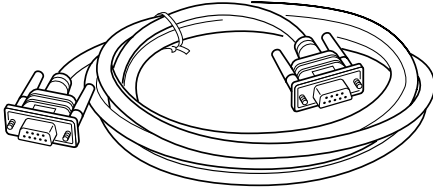
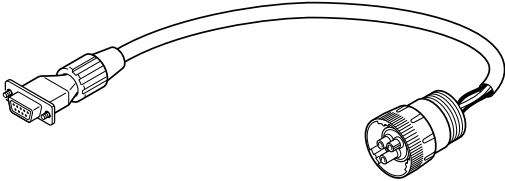
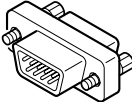
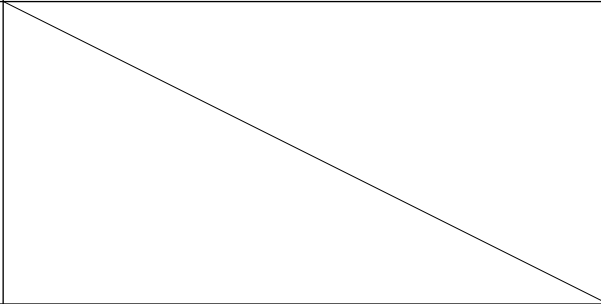
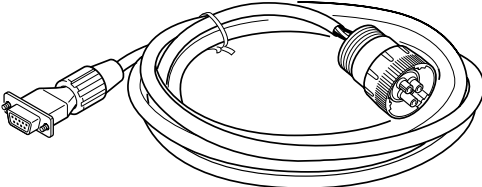
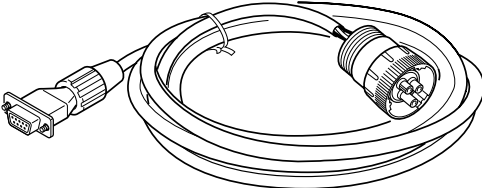
[TYPE B]タイプB

LXE10D LXE10E	LXE10D LXE10E	
(Receptacle) Water proof type on the unit	(レセプタクル) コンテナ冷凍機 ユニットの防水型	

(1) Parts No.

(1) 部品番号

NO. 符号	PARTS NO. 部品番号	PARTS NAME	部品名称	REMARKS 備考
①	Local supply 市販品	Connection cable (reverse)	接続ケーブル (リバース)	RS232C reverse (cross) type RS232Cリバース (クロス) 型
②	9993324	Connection cable	接続ケーブル	
③	Local supply 市販品	Adapter (gender changer)	アダプター (ジェンダーチェンジャー)	D-sub 9P, Male-Male Dサブ9ピン、オス-オス
④	1087149	Connection cable (3 Pins)	接続ケーブル (3ピン)	LXE10E-A For 3 pins LXE10E-A 3ピン用
⑤	1384509	Connection cable (5 Pins)	接続ケーブル (5ピン)	For LXE10E-A For 5 pins LXE10E-A 5ピン用

NO. 符号	Illustration 姿図	Internal Wiring 内部配線																																	
①		<table border="0"> <tr> <td>RS232C Female</td> <td></td> <td>RS232C Female</td> </tr> <tr> <td>メス</td> <td></td> <td>メス</td> </tr> <tr> <td>1</td> <td>↔</td> <td>1</td> </tr> <tr> <td>2</td> <td>↔</td> <td>2</td> </tr> <tr> <td>3</td> <td>↔</td> <td>3</td> </tr> <tr> <td>4</td> <td>↔</td> <td>4</td> </tr> <tr> <td>5</td> <td>↔</td> <td>5</td> </tr> <tr> <td>6</td> <td>↔</td> <td>6</td> </tr> <tr> <td>7</td> <td>↔</td> <td>7</td> </tr> <tr> <td>8</td> <td>↔</td> <td>8</td> </tr> <tr> <td>Frame フレーム</td> <td></td> <td>Frame フレーム</td> </tr> </table>	RS232C Female		RS232C Female	メス		メス	1	↔	1	2	↔	2	3	↔	3	4	↔	4	5	↔	5	6	↔	6	7	↔	7	8	↔	8	Frame フレーム		Frame フレーム
RS232C Female		RS232C Female																																	
メス		メス																																	
1	↔	1																																	
2	↔	2																																	
3	↔	3																																	
4	↔	4																																	
5	↔	5																																	
6	↔	6																																	
7	↔	7																																	
8	↔	8																																	
Frame フレーム		Frame フレーム																																	
②		<table border="0"> <tr> <td>Daikin made ダイキン製</td> <td></td> <td>RS232C Female</td> </tr> <tr> <td>A</td> <td>Red</td> <td>メス</td> </tr> <tr> <td>B</td> <td>White</td> <td>1</td> </tr> <tr> <td>C</td> <td>Black</td> <td>2</td> </tr> <tr> <td></td> <td></td> <td>3</td> </tr> <tr> <td></td> <td></td> <td>4</td> </tr> <tr> <td></td> <td></td> <td>5</td> </tr> <tr> <td></td> <td></td> <td>6</td> </tr> <tr> <td></td> <td></td> <td>7</td> </tr> <tr> <td></td> <td></td> <td>8</td> </tr> <tr> <td></td> <td></td> <td>9</td> </tr> </table>	Daikin made ダイキン製		RS232C Female	A	Red	メス	B	White	1	C	Black	2			3			4			5			6			7			8			9
Daikin made ダイキン製		RS232C Female																																	
A	Red	メス																																	
B	White	1																																	
C	Black	2																																	
		3																																	
		4																																	
		5																																	
		6																																	
		7																																	
		8																																	
		9																																	
③																																			
④		<table border="0"> <tr> <td>Daikin made ダイキン製</td> <td></td> <td>RS232C Female</td> </tr> <tr> <td>A</td> <td>Red 赤</td> <td>メス</td> </tr> <tr> <td>B</td> <td></td> <td>1</td> </tr> <tr> <td>C</td> <td>White 白</td> <td>2</td> </tr> <tr> <td></td> <td>Black 黒</td> <td>3</td> </tr> <tr> <td></td> <td></td> <td>4</td> </tr> <tr> <td></td> <td></td> <td>5</td> </tr> <tr> <td></td> <td></td> <td>6</td> </tr> <tr> <td></td> <td></td> <td>7</td> </tr> <tr> <td></td> <td></td> <td>8</td> </tr> <tr> <td></td> <td></td> <td>Frame フレーム</td> </tr> </table>	Daikin made ダイキン製		RS232C Female	A	Red 赤	メス	B		1	C	White 白	2		Black 黒	3			4			5			6			7			8			Frame フレーム
Daikin made ダイキン製		RS232C Female																																	
A	Red 赤	メス																																	
B		1																																	
C	White 白	2																																	
	Black 黒	3																																	
		4																																	
		5																																	
		6																																	
		7																																	
		8																																	
		Frame フレーム																																	
⑤		<table border="0"> <tr> <td>Daikin made ダイキン製</td> <td></td> <td>RS232C Female</td> </tr> <tr> <td>A</td> <td>Red 赤</td> <td>メス</td> </tr> <tr> <td>B</td> <td></td> <td>1</td> </tr> <tr> <td>C</td> <td>White 白</td> <td>2</td> </tr> <tr> <td>D</td> <td></td> <td>3</td> </tr> <tr> <td>E</td> <td>Black 黒</td> <td>4</td> </tr> <tr> <td></td> <td></td> <td>5</td> </tr> <tr> <td></td> <td></td> <td>6</td> </tr> <tr> <td></td> <td></td> <td>7</td> </tr> <tr> <td></td> <td></td> <td>8</td> </tr> <tr> <td></td> <td></td> <td>Frame フレーム</td> </tr> </table>	Daikin made ダイキン製		RS232C Female	A	Red 赤	メス	B		1	C	White 白	2	D		3	E	Black 黒	4			5			6			7			8			Frame フレーム
Daikin made ダイキン製		RS232C Female																																	
A	Red 赤	メス																																	
B		1																																	
C	White 白	2																																	
D		3																																	
E	Black 黒	4																																	
		5																																	
		6																																	
		7																																	
		8																																	
		Frame フレーム																																	

<https://daikin-p.ru>

MEMO

<https://daikin-p.ru>

DAIKIN INDUSTRIES, LTD.

Head Office. Umeda Center Bldg., 4-12, Nakazaki-Nishi 2-chome, Kita-ku, Osaka, 530-8323 Japan.

Tel: 06-6373-4338

Fax: 06-6373-7297

Tokyo Office. JR Shinagawa East Bldg., 10F 18-1, Konan 2-chome, Minato-ku Tokyo, 108-0075 Japan.

Tel: 03-6716-0420

Fax: 03-6716-0230