

<https://daikin-p.ru>

DAIKIN



Marine type Container Refrigeration Unit

해상용 냉동 컨테이너

Service Manual · Parts List

운전 및 정비 지침서 · 부품 리스트

Optional Functions · 옵션 부품 기능 편

**LXE10E-A15GR
(HYUNDAI)**

DAIKIN INDUSTRIES, LTD.

DAIKIN 공업주식회사

TR07-02

Covered Models

Regarding the features, operation and after servicing, please refer to the service manual(TR02-14).

운전하기 전에 반드시 읽어보기 바란다.

<https://daikin-p.ru>

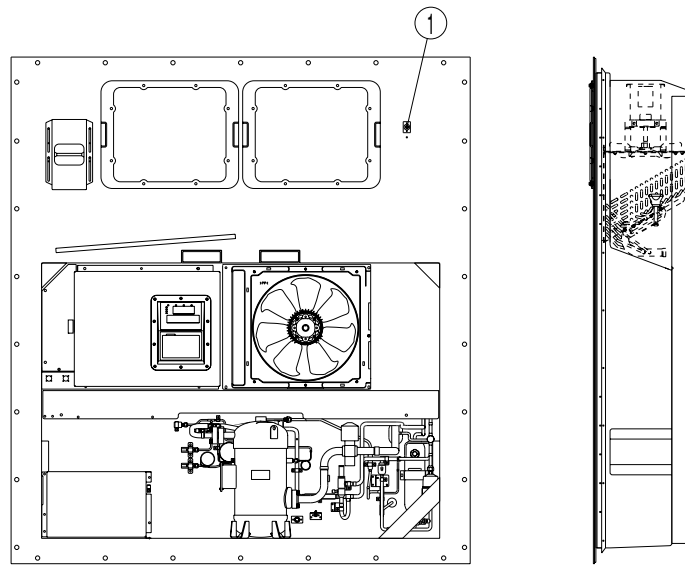
CONTENTS

1. Names of components	4
2. Transducer	5
3. Initial setting table into spare controller	6
4. Refrigerant piping diagram	7
5. Schematic wiring diagram	9
6. Stereoscopic wiring diagram	10

목 차

1. 각 부의 명칭	11
2. 팬 및 모터	12
3. LXE10D 예비용 컨트롤러 DECOSIIIb의 초기설정표	13
4. 배관 계통도 (냉동 회로도)	14
5. 시퀀스 (커넥터형 터미널 보드 + 충전식 전지)	15
6. 전기 배선도 (커넥터형 터미널 보드 + 충전식 전지)	16

1. Names of components



① Sampling port (Return)

2. Transducer

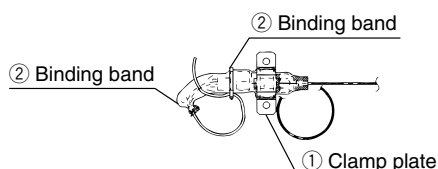
2.1 Low pressure transducer (LPT)

	Transducer type	NSK-BC010F
Identification color	Transducer	Black body
	Connector	Nothing

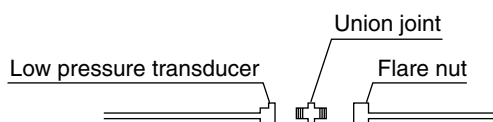
The LPT is located in the refrigerant circuit.
The operating low pressure value is displayed on the controller indication panel.

(1) Replacing the transducer

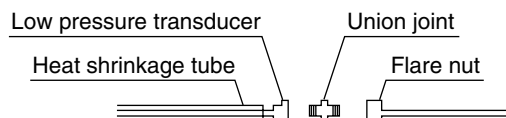
- ① Disconnect the lead wire from the control box.
- ② In order to prevent refrigerant from flowing out, disconnect the low-pressure transducer piping from the gauge joint (with check valve) on the compressor side.
- ③ Remove two screws on the clamp plate fixing low pressure transducer in place, and cut the binding bands.



- ④ Remove the heat shrinkage tube, and disconnect the connector from the low pressure transducer.



- ⑤ Insert the pressure transducer cable through the heat shrinkage tube, and connect the union joint and connector to the new low pressure transducer. If paint on the low pressure transducer is peeled off, apply clear lacquer.

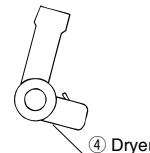
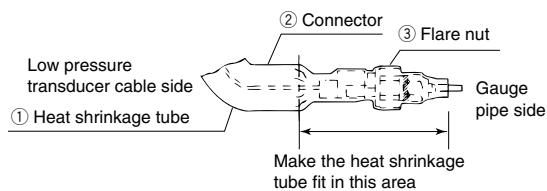


CAUTION

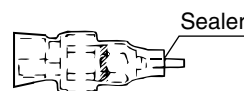
Do not expose the low pressure transducer to hot air of a dryer for excess time.

Otherwise, the transducer may be damaged.

- ⑥ Apply the heat shrinkage tube in the following position, then shrink it with hot air of a dryer.

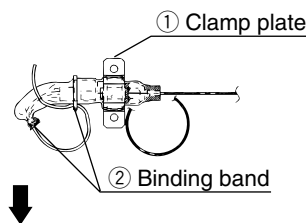


- ⑦ Apply sealer between the heat shrinkage tube and the flare nut. (Sealer :KE4898)



- ⑧ Fix the low pressure transducer with the clamp plate, and fix the cable with the binding band.

Fix the shrinkage tube end of the cable side downward for prevention of water entering into the tube.



Fix the tube directing the end downward

2.2 High pressure transducer (HPT)

	Transducer type	NSK-BC030F
Identification color	Transducer	Red & Brown body
	Connector	Nothing

The HPT is located in the refrigerant circuit.
The operating high pressure value is displayed on the controller indication panel.

(1) Replacement procedure

The replacement procedure is the same as that for the low pressure transducer.
Make sure that the fixing position and the cable connection is correct.

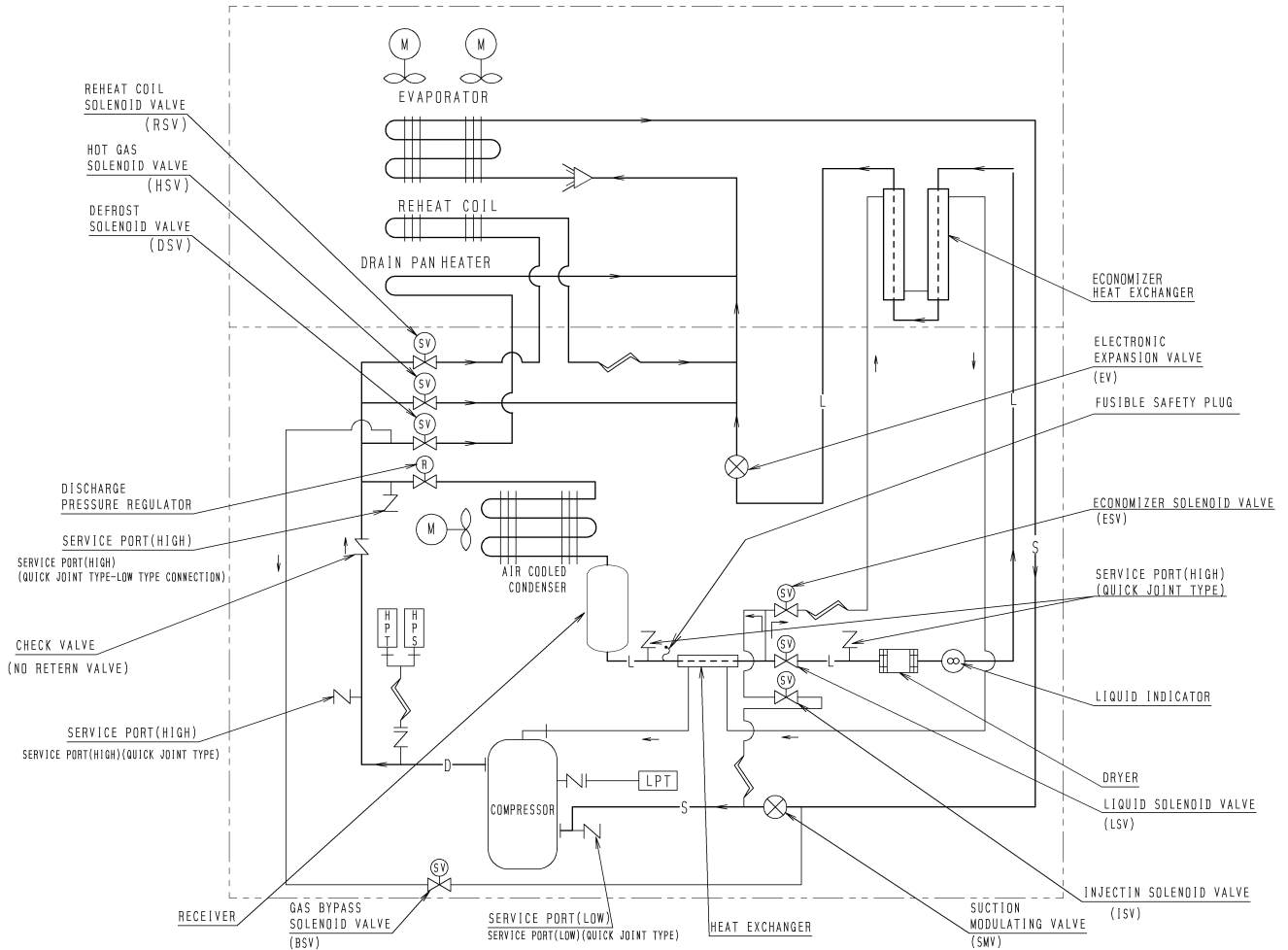
3. Initial setting table into spare controller

MODEL NAME Note 1	※7. Optional function setting mode				※8. Basic function mode										※9. Optional Condition setting mode										※10. Input Data		
	USdA	dHu	DECOS-3	LOG INT	REC SEN	OC-SET	HP	dISP	COMP	REHEAT	FA SEN	CHARTLS	USdA1/2	H001	H002	H003	H004	H005	H006	D1--	D2--	D3--	D-1-	D-2-	C/F	SET Id	SET TIME
LXE10E	USdA sensor	Dehumidification control	Controller setting	Logging interval	Data recorder sensor	Input power	Hose power	Panel lighting OFF	Comp./Unload setting	Reheat coil setting		D/H code alarm indication	USdA sensor type	H code	H code	H code	H code	H code	H code	D code	D code	D code	D code	D code	Temp. indication	Container I.D.	Controller set time
-A15GR	OFF	OFF	D	60	ON	Single	10	OFF	100	ON	OFF	ON	2	3	2	2	2	2	3	1	1	1	1	1	C	*	GMT
Spare controller	blank	blank	blank	blank	blank	blank	blank	blank	blank	blank	blank	blank	1	3	2	2	2	3	3	1	1	1	1	1	C	blank	01/1/1

Notes 1. Confirm MODEL NAME mentioned in the name plate mounted on the reefer unit.

- It is possible to input Container I.D. and Controller Time with both the panel operation and the personal computer installed DCCS's software.
- When inputting the container I.D. by the panel operation, take care not to enter any of the following pairs of alphabet and numeral(i-1),(O-0),(S-5).
- If you don't input container I.D., it is impossible to download the logger data with the personal computer.
- If you don't input the controller set time, it starts from 2001.1.1, 0:00.

4. Refrigerant piping diagram



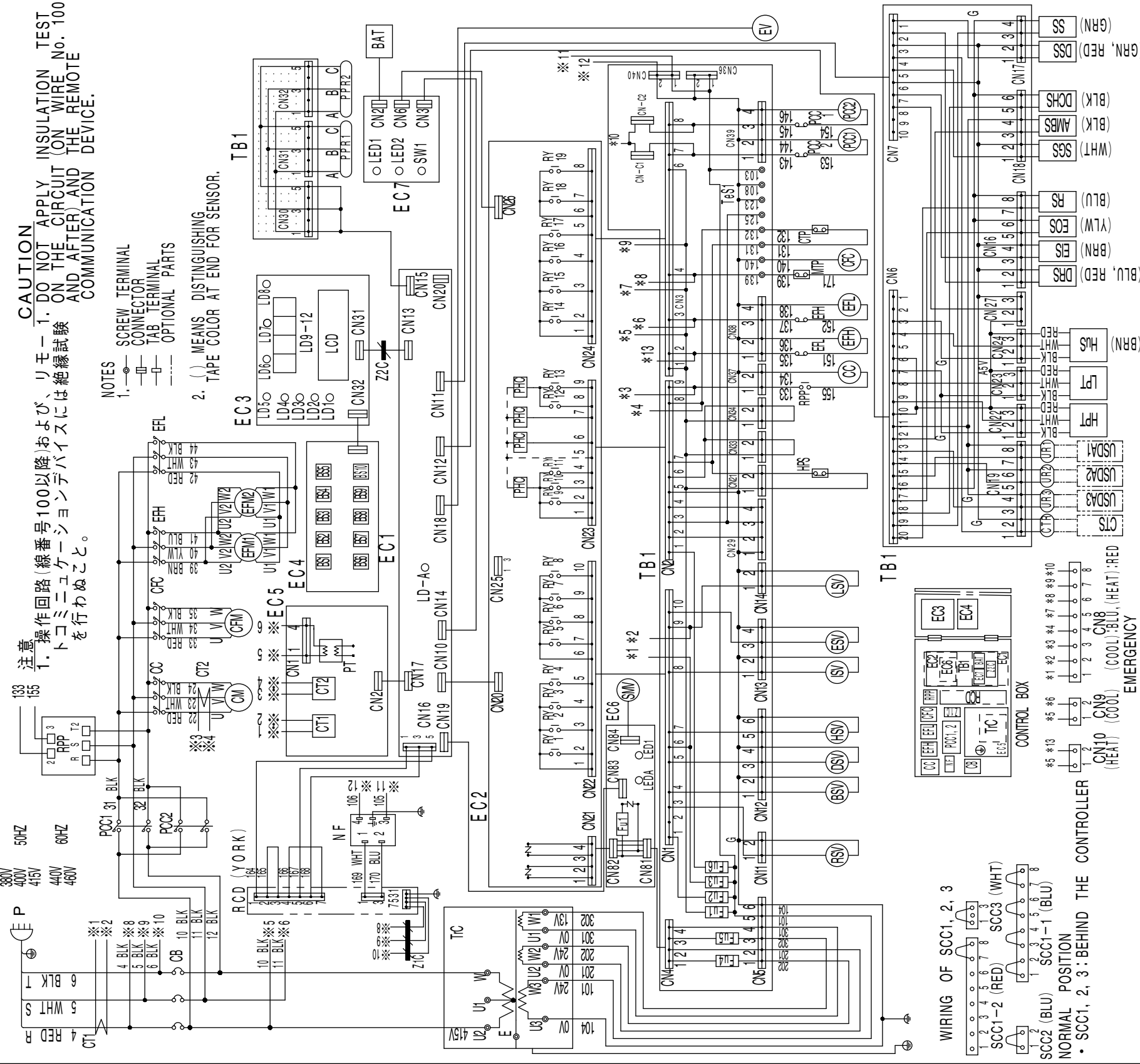
HPS	HIGH PRESSURE SWITCH
HPT	HIGH PRESSURE TRANSDUCER
LPT	LOW PRESSURE TRANSDUCER

— L —	LIQUID PIPE
— S —	SUCTION PIPE
— D —	DISCHARGE PIPE
— H —	FLANGE CONNECTION
+	FLARE CONNECTION
~	CAPILLARY TUBE

<https://daikin-p.ru>

5. Schematic wiring diagram

CONTAINER REFRIGERATION UNIT WIRING DIAGRAM



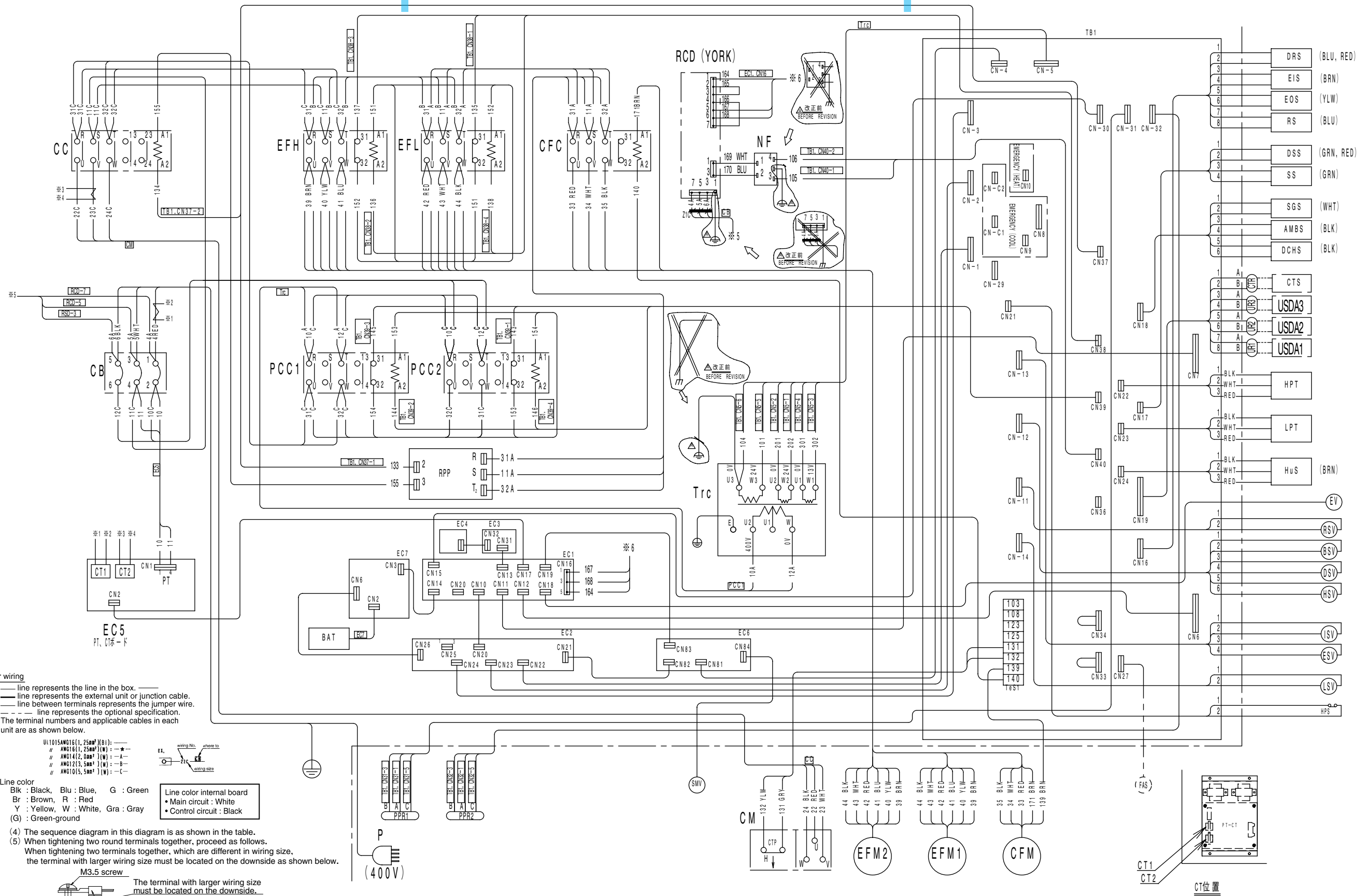
AMBS	AMBIENT TEMP. SENSOR	EC7	POWER SUPPLY BOARD	D6	LIGHT-EMITTING DIODE (DEFROST)	SCC2	SHORT CIRCUIT CONNECTOR
BAT	BATTERY	EH	HIGH SPEED EVAPORATOR FAN CONTACTOR	D7	LIGHT-EMITTING DIODE (IN RANGE)	SCC3	SHORT CIRCUIT CONNECTOR
BSV	GAS BYPASS SOLENOID VALVE	EFL	LOW SPEED EVAPORATOR FAN CONTACTOR	D8	LIGHT-EMITTING DIODE (DE-HUMID)	SGS	SUCTION GAS SENSOR
BS1-10	PUSH BUTTON SWITCH	EFM1, 2	EVAPORATOR FAN MOTOR	D9-12	LIGHT-EMITTING DIODE	SNV	SUCTION MODULATING VALVE
CB	CIRCUIT BREAKER (3A)	EIS	EVAPORATOR INLET SENSOR	LEDA	SERVICE MONITOR-GREEN (EC6)	SS	SUPPLY AIR SENSOR
CC	COMPRESSOR CONTACTOR	EOS	EVAPORATOR OUTLET SENSOR	LED1	LIGHT-EMITTING DIODE (EC6)	SW1	SWITCH BATTERY LEVEL INDICATOR
CFC	CONDENSER FAN CONTACTOR	ESV	ECONOMIZER SOLENOID VALVE	LED2	BATTERY INDICATOR (EC7)	TB1	TERMINAL BOARD
CFM	CONDENSER FAN MOTOR	EV	ELECTRONIC EXPANSION VALVE	LPT	LOW PRESSURE TRANSDUCER	TC	CONTROL TRANSFORMER
CM	COMPRESSOR MOTOR	Fu1-6	FUSE (0.250V, 10A) (TB1)	LSV	LOW PRESSURE TRANSDUCER	URI-3	USDA RECEPTACLE
CT1, 2	CURRENT TRANSFORMER	Fu1	FUSE (0.250V, 5A) (EC6)	MP	COND. MOTOR THERMAL PROTECTOR	Z1C	FERRITE CORE
CTP	COMPRESSOR THERMAL PROTECTOR	HPS	HIGH PRESSURE SWITCH	NF	NOISE FILTER	Z2C	FERRITE CORE
CIR	CARGO TEMP. RECEPTACLE	HPT	HIGH PRESSURE TRANSDUCER	P	POWER PLUG		
DCHS	COMPRESSOR DISCHARGE SENSOR	HSV	HOT GAS SOLENOID VALVE	PCC1, 2	PHASE CORRECTION CONTACTOR		
DSS	DATA RECORDER RETURN AIR SENSOR	HIS	HUMIDITY SENSOR	PHC	PHOTO COUPLER	CTS	CARGO TEMP. SENSOR
DSV	DEFROST SOLENOID VALVE	ISV	INJECTION SOLENOID VALVE	PPR1, 2	PC PORT RECEPTACLE	RCD	REMOTE COMMUNICATION DEVICE (YORK) 2
EC1	CPU BOARD (DECOS)	LCD	LIQUID CRYSTAL DISPLAY	PT	POTENTIAL TRANSFORMER	USDAM1-3	USDA SENSOR
EC2	I/O BOARD (DECOS)	LD-A	SERVICE MONITOR-GREEN (EC1)	PP	REVERSE PHASE PROTECTOR		
EC3	DISPLAY BOARD (DECOS)	LD1	LIGHT-EMITTING DIODE (R. H.)	RSV	RETURN AIR SENSOR		
EC4	SHEET KEY (DECOS)	LD2	LIGHT-EMITTING DIODE (ALARIM)	RS	REHEAT COIL SOLENOID VALVE		
EC5	PRINTED CIRCUIT BOARD (PT, CT)	LD3	LIGHT-EMITTING DIODE (RETURN)	RY	RELAY		
EC6	ADAPTER BOARD	LD4	LIGHT-EMITTING DIODE (SUPPLY)	RY-19	RELAY		
		LD5	LIGHT-EMITTING DIODE (COMP)	SCC1-1, 2	SHORT CIRCUIT CONNECTOR		

OPTIONAL SPECIFICATION
 CTS CARGO TEMP. SENSOR
 RCD REMOTE COMMUNICATION DEVICE (YORK) 2
 USDAM1-3 USDA SENSOR

EACH MODEL TO EQUIP FOLLOWING OPTIONS.
 • LXE10E-A15: NONE
 • LXE10E-A31: NO. 2

LXE10E-A15, A31

6. Stereoscopic wiring diagram



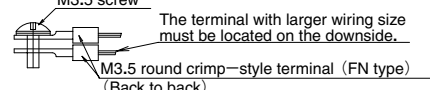
Notes for wiring
 Note: (1) — line represents the line in the box.
 — line represents the external unit or junction cable.
 — line between terminals represents the jumper wire.
 — line represents the optional specification.
 (2) The terminal numbers and applicable cables in each unit are as shown below.

UL1015AWG16(1.25mm²)(Bl):	—
AWG16(1.25mm²)(W):	—
AWG14(2.0mm²)(W):	—
AWG12(3.5mm²)(W):	—
AWG10(5.0mm²)(W):	—

(3) Line color
 Blk : Black, Blu : Blue, G : Green
 Br : Brown, R : Red
 Y : Yellow, W : White, Gra : Gray
 (G) : Green-ground

Line color internal board
 • Main circuit : White
 • Control circuit : Black

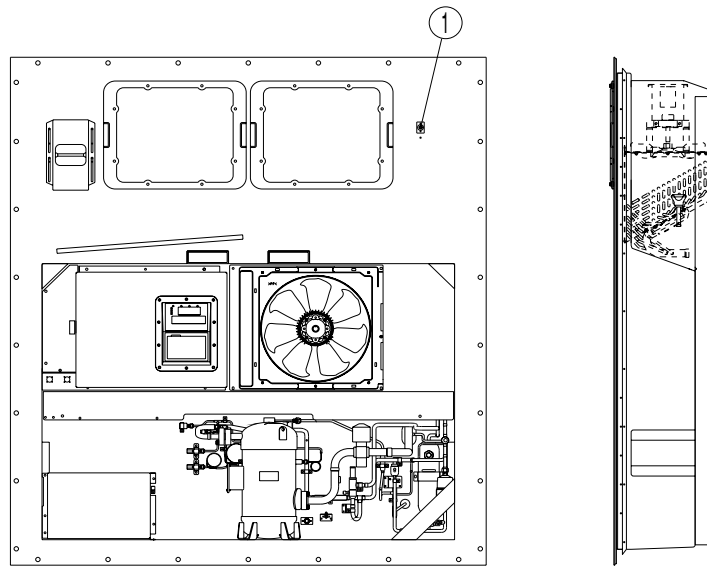
(4) The sequence diagram in this diagram is as shown in the table.
 (5) When tightening two round terminals together, proceed as follows.
 When tightening two terminals together, which are different in wiring size, the terminal with larger wiring size must be located on the downside as shown below.



(6) Round crimp-style terminal (FN type) with M3.5 insulating sleeve
 Place tightening two terminals together or with M3.5 insulating sleeve
 Round crimp-style terminal (FN type) and with M4 insulating sleeve
 In the place tightening two terminals together, they must be tightened with torque of 11.2—13.8 kg-cm (1.1—1.3 N-m)

(7) Do not contact the wiring with the coil of Trc.
 (8) The space between strong and light electric wirings must be 25 mm or more.
 (9) Unless otherwise instructed, refer to GAH010-Z—for the internal wiring.
 (10) The color in parentheses is for identification.

1. 각 부의 명칭



① 샘플링 포트(돌아오는 것)

2. 팬 및 모터

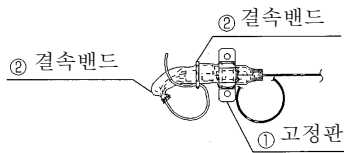
2.1 저압압력센서(L P T)

형식	2004년 9월 생산 이전	2004년 10월 생산 이후	
센서형식	SPCL2	NSK-BC010F	
식별 색	센서	파란색 실링	검색 본체
	커넥터	파란색 실링	없음

저압압력센서는 냉매계통에 설치되어 있고, 컨트롤러에 운전시의 저압압력을 표시한다.

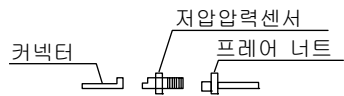
(1) 교환방법

- ① 콘트롤 박스 내부의 리드선을 제거한다.
- ② 냉매누설방지를 위해 저압압력센서 배관을 압축기측 게이지 단수(체크밸브)②로부터 제거한다.
- ③ 저압압력센서를 고정하고 있는 고정판의 나사를 풀고 결속밴드를 절단한다.

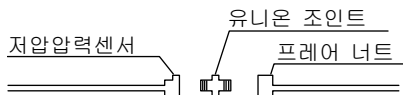


- ④ 열수축튜브를 제거하고, 커넥터를 저압압력센서에서 분리한다.

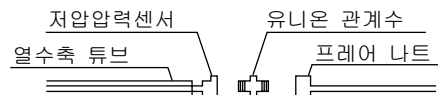
• SPCL02형



• NSK-BC010F형



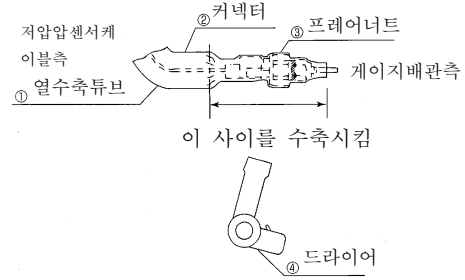
- ⑤ 열수축튜브를 압력센서 케이블에 연결하고, 새저압압력센서를 케이블에 접속한다. 접속시, 압력센서의 도료가 벗겨졌으면 클리어도료로 터치업하라.



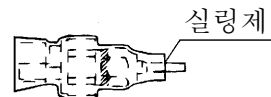
주의

저압압력센서에 드라이어의 열풍을 장시간 쬐지 말것. 센서의 파손 우려가 있다.

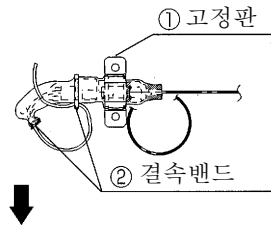
- ⑥ 열수축튜브를 아래도면의 위치에 맞추고 드라이어를 사용하여 수축시킨다.



- ⑦ 열수축튜브와 프레이너트사이를 실링한다. (실링제: K E 4898)



- ⑧ 저압압력센서를 고정판에 고정하고, 결속밴드로 케이블을 고정한다. 저압압력센서 측의 열수축튜브의 끝단은 하향으로 고정하고, 물의 침입이 없도록 한다.



↓
저압압력센서측의 열수축튜브의 끝단은 하향으로 고정한다.

2.2 고압압력센서(H P T)

형식	2004년 9월 생산 이전	2004년 10월 생산 이후	
센서형식	SPCH01	NSK-BC030F	
식별 색	센서	홍색 실링	갈색 본체
	커넥터	홍색 테이프	없음

고압압력센서는 냉매계통에 장착되어, 컨트롤러에 운전중의 고압압력을 표시한다.

(1) 교환방법

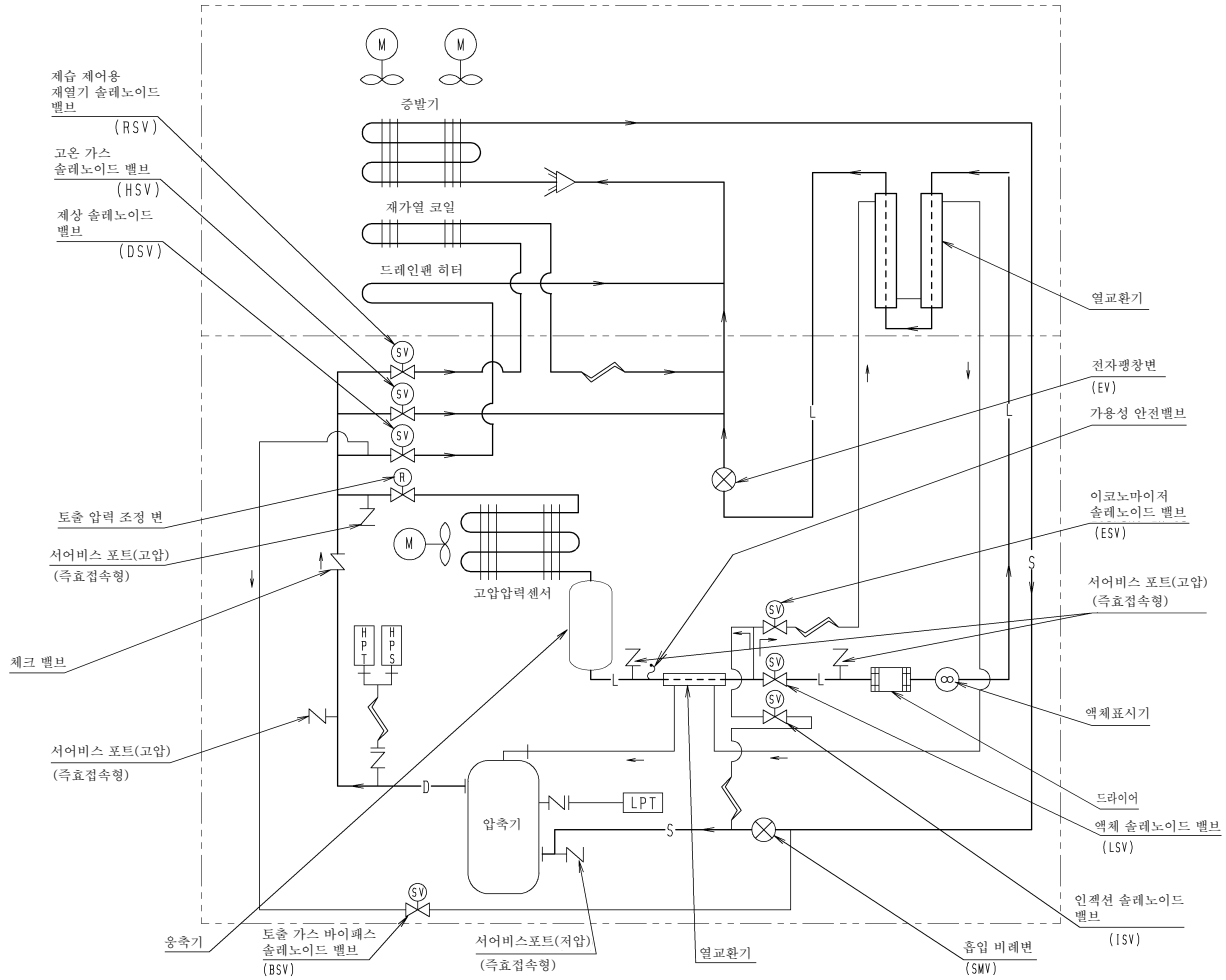
교환방법은 저압압력센서와 같다. 설치위치와 접속케이블을 틀림이 없도록 교환한다.

3. LXE10D 예비용 컨트롤러 DECOSIIIb의 초기설정표

기종명 주 1	※7. 옵션 기능 설정 모드				※8. 기본 기능 모드														※9. 옵션 조건 설정 모드										※10. 입력 데이터		
	USdA	dHu	USdA	제습 제어	DECOS-3	LOG INT	REC SEN	OC-SET	HP	dISP	COMP	REHEAT	FA SEN	CHARTLS	USdA1/2	H001	H002	H003	H004	H005	H006	D1-	D2-	D3-	D-1-	D-2-	CF	SET id	SET TIME		
LXE10E	USdA	USdA	센서	OFF	컨트롤러 설정	로깅 인터벌	데이터 리코더 센서	전원 입력	마력	판넬 잠금 OFF	컴퓨터 /인포드 설정	코일 재가열 설정		D/H코드 알람 표시	USdA 센서형	3	2	2	2	2	3	3	1	1	1	1	1	1	온도 표시	컨테이너 I.D.	컨트롤러 설정 시간
-A15GR	OFF	OFF	OFF	D	60	ON	싱글	10	OFF	100	ON	OFF	ON	2	3	2	2	2	2	3	3	1	1	1	1	1	C	*	GMT		
예비 컨트롤러	공백	공백	공백	공백	공백	공백	공백	공백	공백	공백	공백	공백	공백	공백	1	3	2	2	2	3	3	1	1	1	1	1	C	공백	01/1/1		

- 주 1 냉장고에 설치된 보드에 표시된 기종명을 확인하십시오.
- 2 판넬 조작과 DCCS 소프트웨어가 설치된 PC의 양쪽을 이용하여 컨테이너 I.D.와 컨트롤러 시간을 입력할 수 있습니다.
- 3 판넬 조작으로 컨테이너 I.D.를 입력할 때, 다음 영문자와 숫자를 함께 입력하지 않도록 주의하십시오. (i-1), (O-0), (s-5)
- 4 컨테이너 I.D.를 입력하지 않을 경우, PC의 로거 데이터를 다운 받을 수 없습니다.
- 5 컨트롤러 설정시간을 입력하지 않을 경우, 2001년1월1일 0시00분부터 시작됩니다.

4. 배관 계통도 (냉동 회로도)

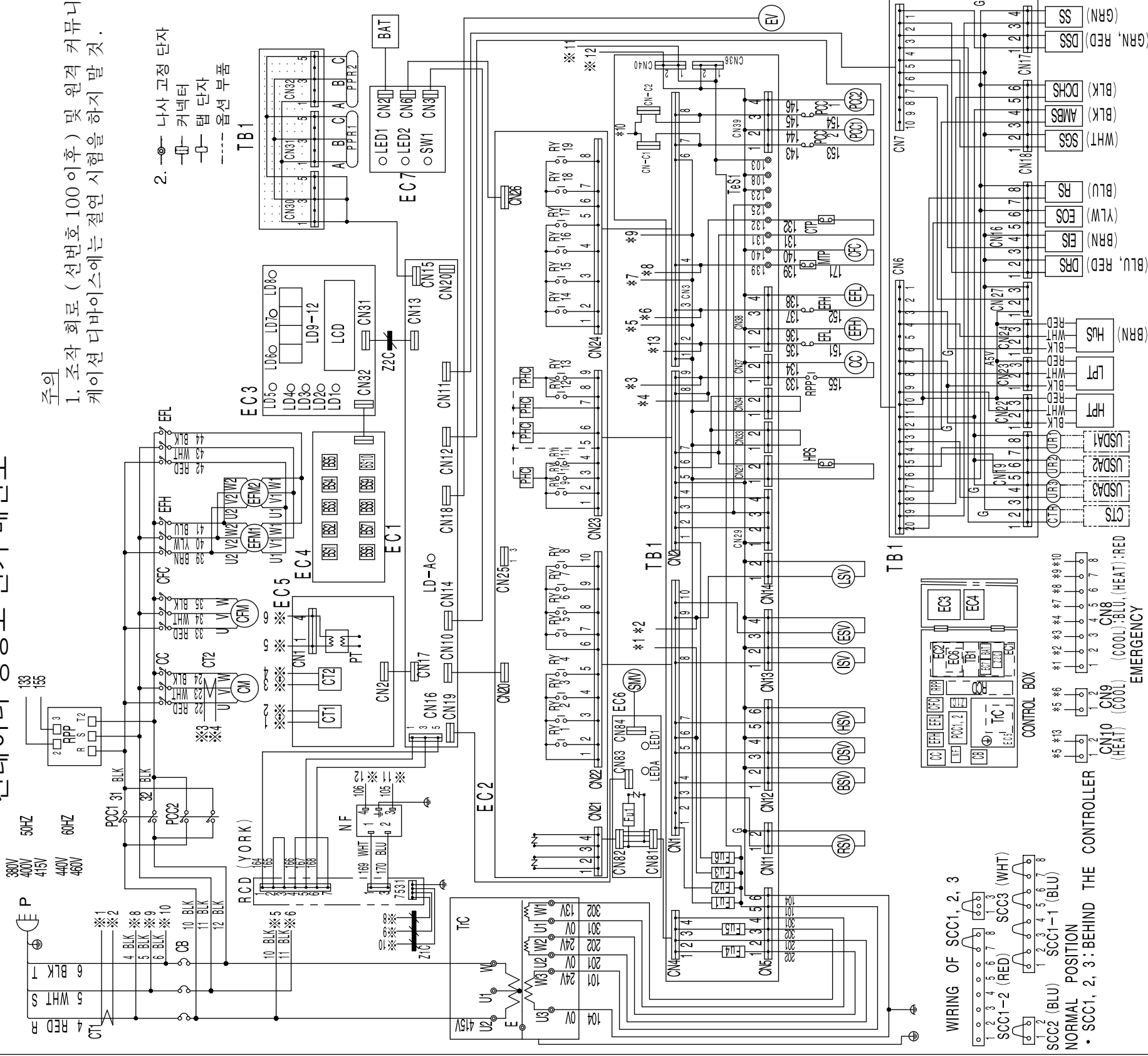


HPS	고압 압력 센서
HPT	고압압력센서
LPT	저압 압력 센서

— L —	액관
— S —	흡입관
— D —	도출관
— H —	플랜지 접속
— + —	플래이 접속
— W —	도관

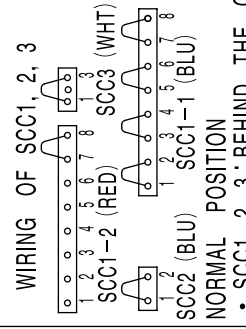
5. 시퀀스 (커넥터형 터미널 보드 + 충전식 전지)

컨테이너 냉장고 전기 배선도



주의
1. 조작 회로 (선번호 100 이후) 및 원격 커뮤니티
 케이션 디바이스에는 절연 시험을 하지 말 것.

2. 나사 고정 단자
 - □ 커넥터
 - □ 탭 단자
 - --- 옵션 부품



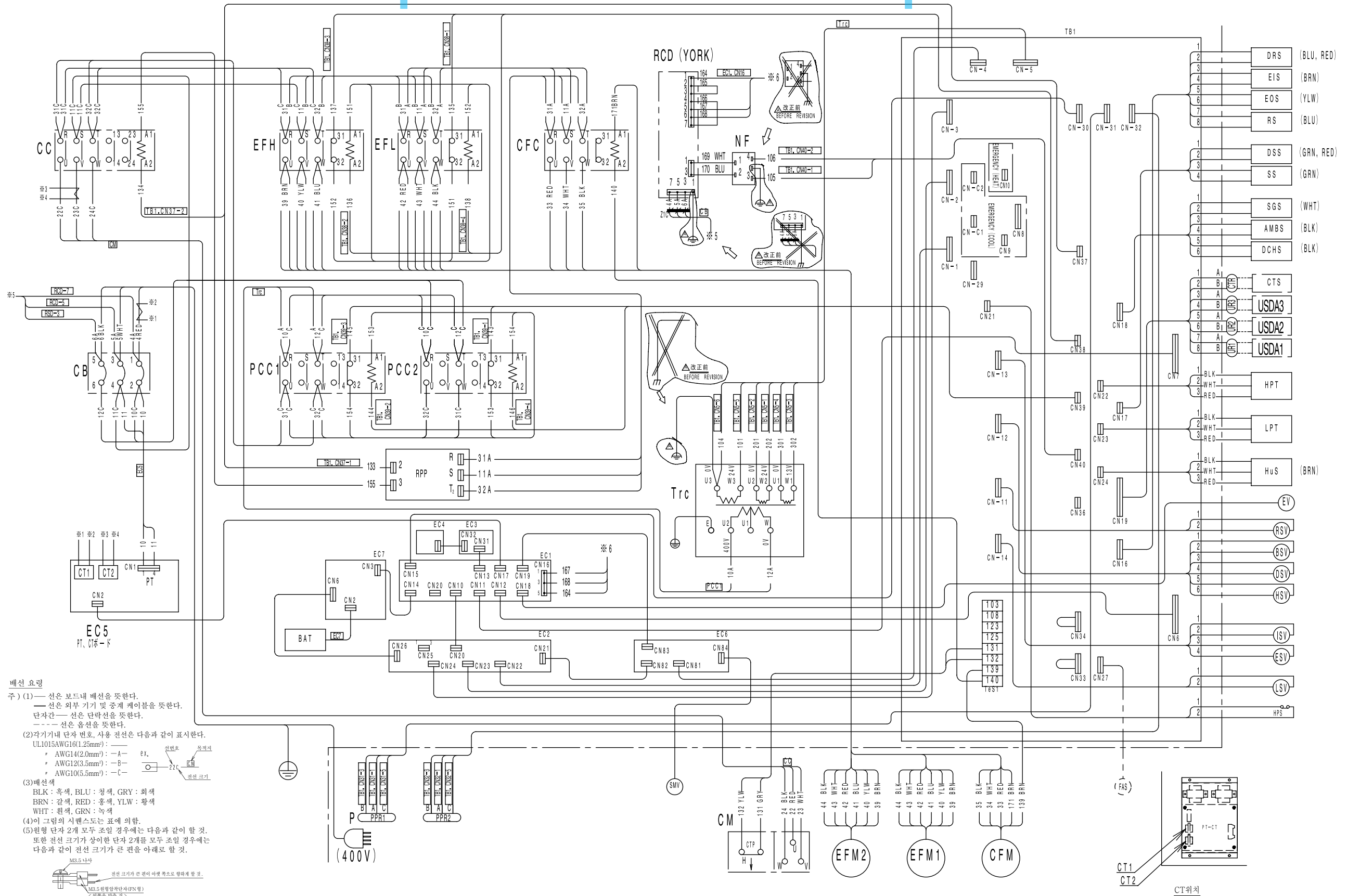
AMBS	AMBIENT TEMP. SENSOR	EC7	POWER SUPPLY BOARD	LD6	LIGHT-EMITTING DIODE (DEFROST)	SCC2	SHORT CIRCUIT CONNECTOR
BAT	BATTERY	EFH	HIGH SPEED EVAPORATOR FAN CONTACTOR	LD7	LIGHT-EMITTING DIODE (IN RANGE)	SCC3	SHORT CIRCUIT CONNECTOR
BSV	GAS BYPASS SOLENOID VALVE	EFL	LOW SPEED EVAPORATOR FAN CONTACTOR	LD8	LIGHT-EMITTING DIODE (DE-HUMID)	SGS	SUCTION GAS SENSOR
BS1-10	PUSH BUTTON SWITCH	EFM1, 2	EVAPORATOR FAN MOTOR	LD9-12	LIGHT-EMITTING DIODE	SNV	SUCTION MODULATING VALVE
CB	CIRCUIT BREAKER (30A)	ES	EVAPORATOR INLET SENSOR	LEDA	SERVICE MONITOR-GREEN (EC6)	SS	SUPPLY AIR SENSOR
CC	COMPRESSOR CONTACTOR	ESV	EVAPORATOR OUTLET SENSOR	LED1	LIGHT-EMITTING DIODE (EC6)	SW1	SWITCH, BATTERY LEVEL INDICATOR
CFC	CONDENSER FAN CONTACTOR	EV	ECONOMIZER SOLENOID VALVE	LED2	BATTERY INDICATOR (EC7)	TB1	TERMINAL BOARD
CFM	CONDENSER FAN MOTOR	FU1-6	ELECTRONIC EXPANSION VALVE	LPT	LOW PRESSURE TRANSDUCER	TC	CONTROL TRANSFORMER
CM	COMPRESSOR MOTOR	FU1	FUSE (250V, 10A) (TB1)	LPSV	LIQUID SOLENOID VALVE	UR1-3	URSA RECEPTACLE
CT1, 2	CURRENT TRANSFORMER	HPS	FUSE (250V, 5A) (EC6)	MTP	COND. MOTOR THERMAL PROTECTOR	Z1C	FERRITE CORE
CTP	COMPRESSOR THERMAL PROTECTOR	HPT	HIGH PRESSURE SWITCH	NF	NOISE FILTER	Z2C	FERRITE CORE
CTR	CARGO TEMP. RECEPTACLE	HSV	HIGH PRESSURE TRANSDUCER	P	POWER PLUG		
DCHS	COMPRESSOR DISCHARGE SENSOR	HUS	HOT GAS SOLENOID VALVE	PCC1, 2	PHASE CORRECTION CONTACTOR		
DSS	DATA RECORDER RETURN AIR SENSOR	ISV	HUMIDITY SENSOR	PCC	PHOTO COUPLER		
DSV	DEFROST SOLENOID VALVE	ISY	INJECTION SOLENOID VALVE	PHC	PHOTO RECEPTACLE		
EC1	CPU BOARD (DECOS)	LCD	LIQUID CRYSTAL DISPLAY	PPR1, 2	PC PORT RECEPTACLE	CTS	CARGO TEMP. SENSOR
EC2	I/O BOARD (DECOS)	LD-A	SERVICE MONITOR-GREEN (EC1)	PT	POTENTIAL TRANSFORMER	RCD	REMOTE COMMUNICATION DEVICE (WORK)
EC3	DISPLAY BOARD (DECOS)	LD1	LIGHT-EMITTING DIODE (R. H.)	PP	REVERSE PHASE PROTECTOR	USDA1-3	USDA SENSOR
EC4	DISPLAY BOARD (DECOS)	LD2	LIGHT-EMITTING DIODE (ALARM)	PP	REVERSE PHASE PROTECTOR		
EC5	SHEET KEY (DECOS)	LD3	LIGHT-EMITTING DIODE (RETURN)	RSV	REHEAT AIR SENSOR		
EC6	PRINTED CIRCUIT BOARD (PT, CT)	LD4	LIGHT-EMITTING DIODE (SUPPLY)	RVI-19	RELAY		
	ADAPTER BOARD	LD5	LIGHT-EMITTING DIODE (COMP)	SCC1-1, 2	SHORT CIRCUIT CONNECTOR		

2 D 0 5 3 2 9 3 - 1 B

OPTIONAL SPECIFICATION	
CTS	CARGO TEMP. SENSOR
RCD	REMOTE COMMUNICATION DEVICE (WORK)
USDA1-3	USDA SENSOR
EACH MODEL TO EQUIP FOLLOWING OPTIONS.	
• LXE10E-A15: NONE	
• LXE10E-A31: NO. 2	

LXE10E - A15, A31

6. 전기 배선도 (커넥터형 터미널 보드 + 충전식 전지)



배선 요령

주) (1) 선은 보드내 배선을 뜻한다.
 선은 외부 기기 및 중계 케이블을 뜻한다.
 단자간 — 선은 단락선을 뜻한다.
 --- 선은 음선을 뜻한다.

(2) 각기내 단자 번호, 사용 전선은 다음과 같이 표시한다.
 UL1015AWG16(1.25mm): —
 * AWG14(2.0mm): —A— EX, 선번호, 와이어
 * AWG12(3.5mm): —B—
 * AWG10(5.5mm): —C— 선선 크기

(3) 배선색
 BLK: 흑색, BLU: 청색, GRY: 회색
 BRN: 갈색, RED: 홍색, YLV: 황색
 WHT: 흰색, GRN: 녹색

(4) 이 그림의 시퀀스도는 표에 의한.

(5) 원형 단자 2개 모두 조일 경우에는 다음과 같이 할 것.
 또한 전선 크기가 상이한 단자 2개를 모두 조일 경우에는
 다음과 같이 전선 크기가 큰 편을 아래로 할 것.

M3.5 나사
 전선 크기가 큰 편이 아래 쪽으로 향하게 할 것.
 M3.5원형압착단자(FN형)
 <외쪽을 맞출 것>

(6) M3.5절연 슬리브가 부착된 원형 압착 단자(FN형)
 2개 모두 조일 위치 또는 M3.5절연 슬리브 부착
 원형 압착 단자(FN형)와 M4절연 슬리브 부착
 원형 압착 단자(FN형)와 2개 모두 조일 위치는
 토오크11.2 - 13.8kg·cm로 조이는 걸로 한다.
 (1.1 - 1.3N·m)

(7) Trc의 코일에 배선이 접촉하지 않도록 할 것.
 (8) 강전배선과 약전배선은 25mm이상 간격을 둘 것.
 (9) 지시가 없는 위치는 기내 배선은 GAH010-2에 의한.
 (10) () 내 색은 식별색을 뜻한다.

ORDERING INSTRUCTIONS

The parts list contains the parts of the DAIKIN Marine Type Container Refrigeration Units. Please read the following items before using the list.

1. When ordering the parts, be sure to specify the model No., the name of part and the type of part. When ordering the parts for which no parts NO. is shown in the PARTS NO. column, be sure to describe DWG.NO..
2. The list shows the parts only for replacement or repairing at the job site. Certain parts require a production lead time or are supplied as a set, so please contact with the nearest DAIKIN PARTS CENTRE.

3. Index symbols;

Meaning of the ranking A,B and C are as follows;

A. The most important spare parts

1. The parts whose malfunction cause fatal damage to the unit.
2. The parts with high risk of malfunction.
3. The parts that are worn out after an extended service period.

B. The important spare parts next to A, but the risk of malfunction is not so high.

C. The parts with low risk of malfunction, but recommendable to stock to cope with damage during handling of container box and long delivery time, etc.

The parts without A, B and C mark is the parts whose necessity is not so high under normal operation.

パーツリスト使用上の注意

このパーツリストはダイキン海上コンテナ冷凍装置の部品を集録してあります。パーツリスト使用にあたっては、必ず次の注意事項をご一読の上使用していただくようお願いいたします。

1. 部品のご注文の際は機種名、部品番号、および部品名、形式を必ずご指定ください。
なお、部品番号欄が空白になっている部品は、図面番号で指示願います。
2. 掲載部品の範囲は、あくまでも現地にて分解修理できるところまで記載しております。
一部部品につき納期のかかるものおよびセット単位となるものもありますので、お近くのダイキンパーツセンター又はサービスステーションに相談願います。

3. INDEXの説明

INDEXのA、B、Cの意味は下記の通りです。

A. 最も重要な部品

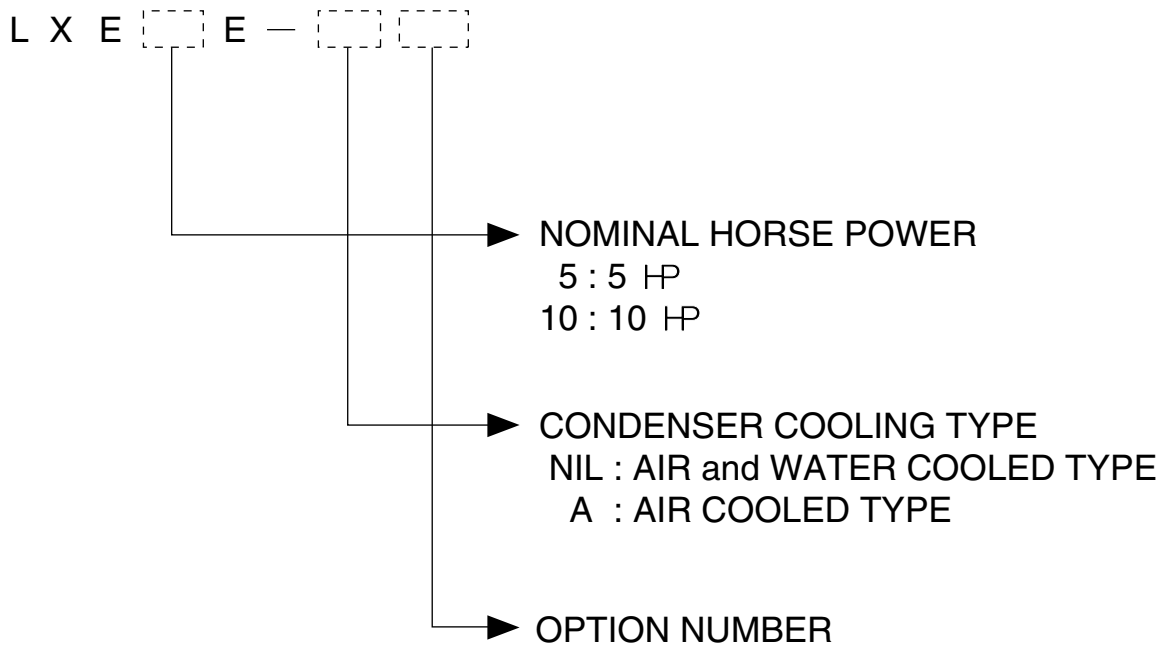
1. 故障した場合に最も重大な損害を与えると思われる部品
2. 故障の確率が高いと思われる部品
3. 長期の使用で摩耗して使用できなくなる部品

B. 故障発生の確率は高くはないが、Aについて重要な部品

C. 故障発生の確率は低いですが、コンテナボックスの運搬中の事故や、部品の納期が長期になるとと思われる等の理由で、在庫をお勧めする部品

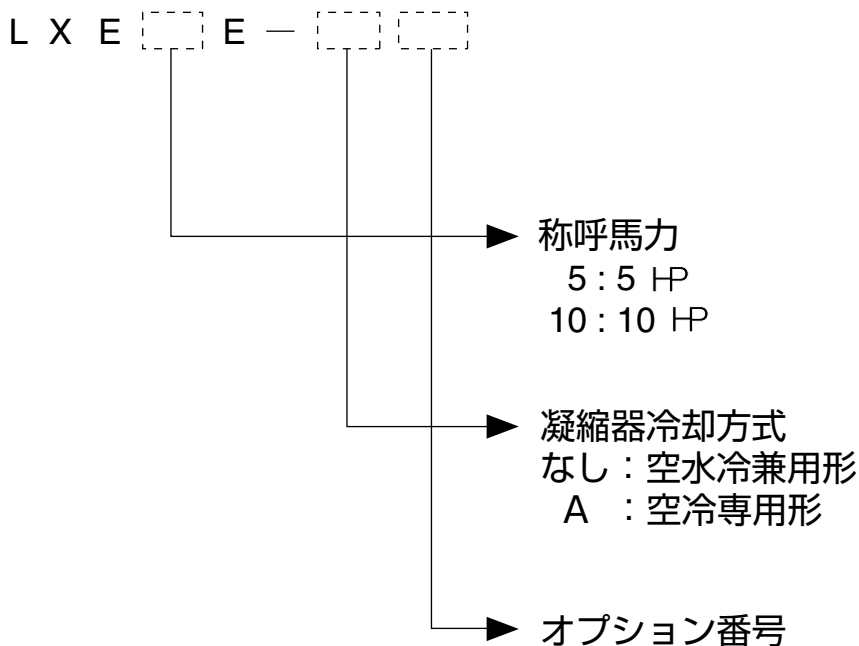
A,B,Cマークの無い部品は、通常の運転では必要性は高くない部品です。

Denomination of Model Name



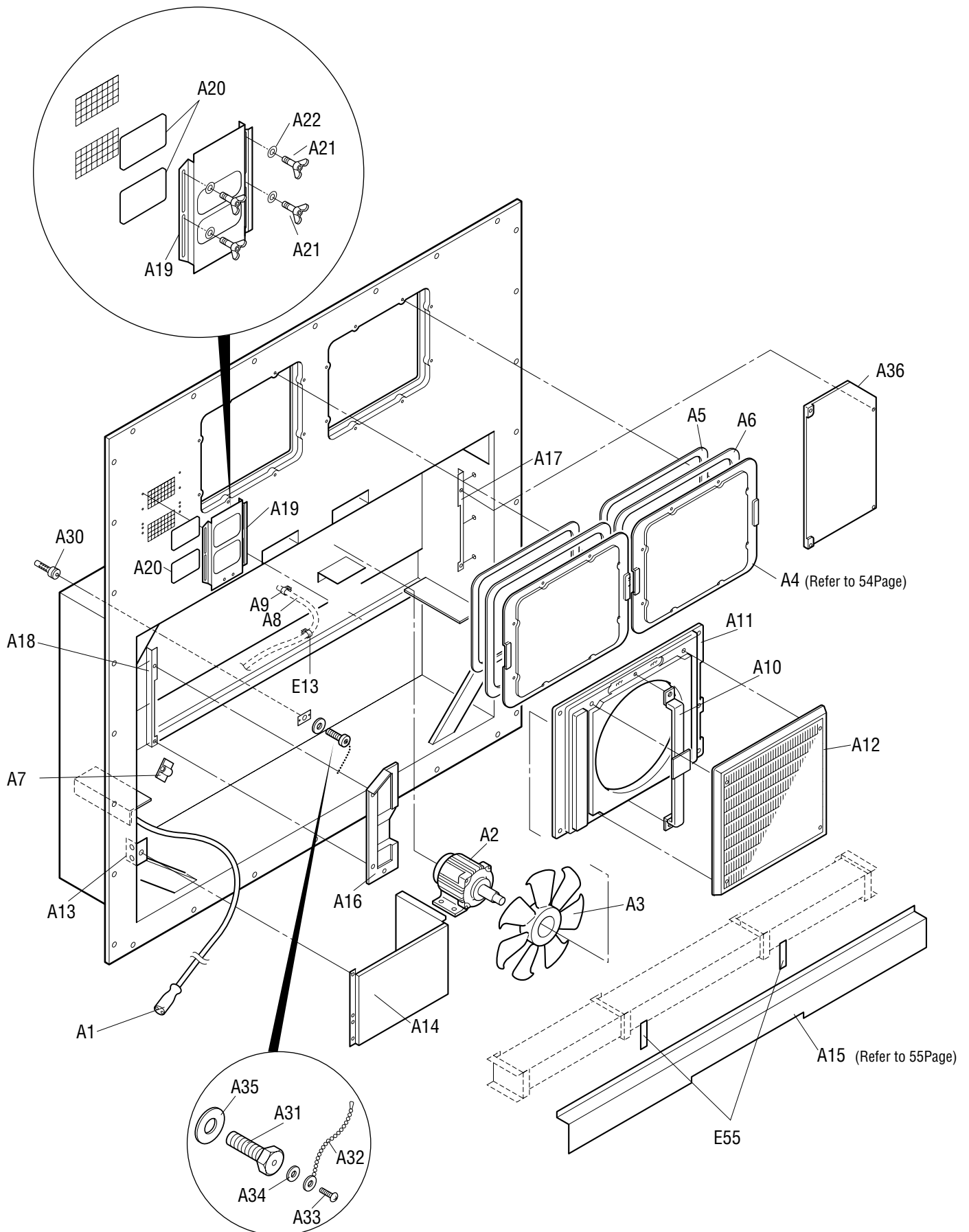
Note) "R" GIVEN AFTER OPTION NUMBER STANDS FOR "REVISION" AND IT IS GIVEN FOR THE UNIT WHICH IS SPECIALLY MODIFIED.

機種名について

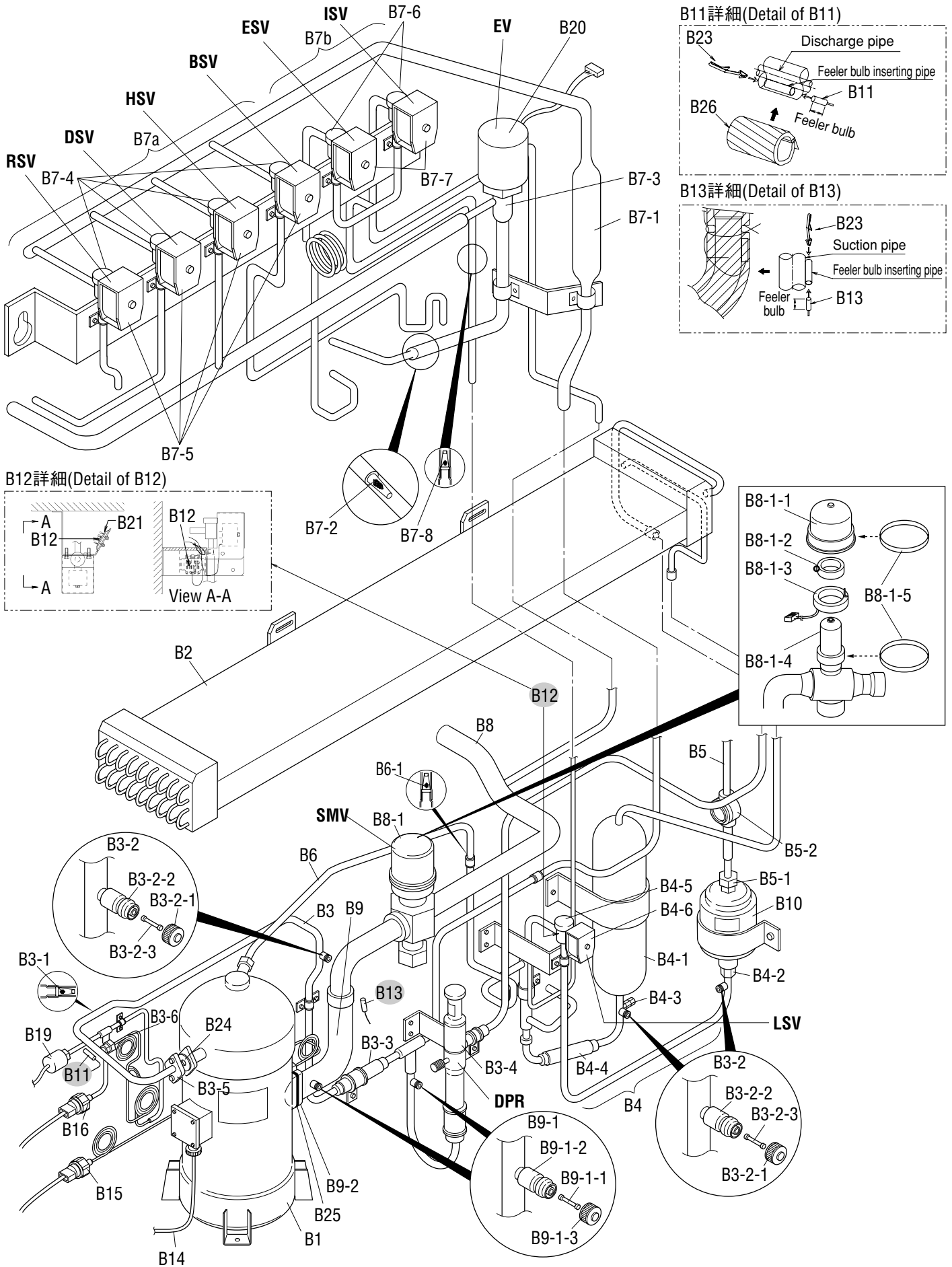


注) オプション番号の後に R がつく機種は、改造機で、特別な仕様が加えられていることを意味します。

A. Parts related with the unit(outside)	20
庫外関連部品	
B. Parts related with refrigerant piping(outside)	22
庫外冷媒配管関連部品	
C. Parts related with the unit(inside)	26
庫内関連部品	
D. Parts related with refrigerant piping(inside)	30
庫内冷媒配管関連部品	
E. Other parts(Pipe clamp, sealing and insulation material etc.)	32
その他部品 (配管固定具、シール材、防熱材等)	
F. Control box	40
コントローラボックス	
G. Parts related with name plate	44
銘板関連	
I. Parts related with option 1 – USDA	46
オプション関連部品 1 - USDA関連	
J. Parts related with option 2 – MODEM	48
オプション関連部品 2 - モデム	
K. Parts related with option 3 – Others	50
オプション関連部品 3 - その他	
1. Indoor fan guard 庫内ファンガード	
2. Evaporator coil 蒸発器コイル組立品	
L. List of size for standard pipe clamp	52
配管固定具サイズ表	
1. Resin clamp 樹脂バンド	
2. Tube clamp 管止金	
3. Cushion rubber for pipe clamp 管止金用緩衝ゴム	
M. Note for ordering spare parts	54
部品発注の際の注意事項	
1. Parts recommended to be ordered together with packing, gasket, sealing material and name plate	
発注の際にパッキングやシール材、銘板等の同時発注を推奨する部品	
2. Order for motorized valve, solenoid valve and pressure regulating valve	
電動弁・電磁弁・圧力調整弁の発注	
3. Order for pressure transducer 圧力センサーの発注	
4. Order for temperature sensor 温度センサーの発注	
N. Measuring and adjusting tools	59
測定調整用工具	
1. Tools for emergency operation 緊急運転用工具	
2. Personal computer cable (for DCCS) パソコンケーブル(DCCS用)	



NO. 符号	INDEX	PARTS NO. 部品番号	PARTS NAME	部品名称	DWG. NO. 図面番号	TYPE SPECIFICATION 形式 仕様	QTY/UNIT 1台当たりの 所要数	REMARKS 備考
A1		1448270	Power plug	電源プラグ	3P109727-1		1	
A2	A	0954936	Condenser fan motor	凝縮器電動機	3P005566-1		1	
A3	B	0980618	Fan Brade(outside)	プロペラファン (庫外側)	2P004956-1	P44H11S	1	
A4	C	1612576	Access panel(FRP)	サービス扉組立品	1P006678-5		2	Refer to Page54
A5		1266207	Cushion material(access panel)	クッション材 (サービス扉)	3P033608-1		2	Refer to Page54
A6		1196113	Sealing material(access panel)	シール材 (サービス扉)	3P001640-2		2	Refer to Page54
A7		1326705	Wire clamp	電線止め金	4P090422-1		1	
A8	C	1266199	Drain hose	ドレンホース	3P011299-1	For trap type	1	
A9		537320	Hose band	ホースバンド	R4716528-3		2	
A10		1266137	Fan guide stay ass'y(outside)	ファンガイドステー組立品(庫外側)	3P027891-1		1	
A11		1588356	Fan guide(Outside)	ファンガイド (庫外側)	1P050906-6		1	
A12	C	1588349	Discharge grill	吹出グリル	1PA53427-6		1	
A13		1369663	Mounting plate 2, cable storage	ケーブル収納部取付板 2	4P006981-2		1	
A14		1564660	Cabel holding sheet metal	ケーブル収納部板金(圧縮機前板:有/無共用)	3P128458-1		1	
A15		1739286	Front plate(CA)	前板 (C A)	2P173133-1		1	Refer to Page55
A16		1600504	C,BOX Front plate	コントロールボックス前板(左)	2P093861-5		1	
A17		1661338	Fixing plate	外板取付板 (1)	3P170539-1		1	
A18		1661321	Fixing plate	外板取付板 (2)	3P170535-1		1	
A19	B	0981060	Ventilation cover	換気口蓋	3P003175-1		1	Refer to Page55
A20		1266221	Sealing material(ventilator)	シール材 (換気口)	4P016185-1		2	Refer to Page55
A21		1775446	Wing bolt	蝶ボルト	4P048681-2		4	
A22		0275145	Plain washer(Woods round type)	平座金 (木材用丸)	4SK07006-6	M6	16	
A30		1496820	Protection cover(2)	温度計挿入口保護カバー (2)	4P085921-2		1	
A31		1266238	Hexagon head bolt	P C六角ボルト	R4290921-125	M12X25	1	
A32		1386930	Latch(victor chain)	掛金 (ビクターチェーン)	4P063801-1		1	
A33		1775453	Tapping screw	タッピンネジ	4SK05064-10		1	
A34		844012S	Plain washer	平座金	4SK07005-3	M3SUS	22	
A35		1267084	Gasket, resin bolt	パッキン樹脂ボルト用	4PA63573-1		1	
A36		1679416	Front panel(right)	前板 (右)	3P173348-1		1	
E13		1266788	Resin clamp	樹脂バンド	NE41015-12	MILK WHITE	6	
E55		1267077	Packing for prevention of vibration	C A前板ビビリ防止パッキン	4P050050-1		2	

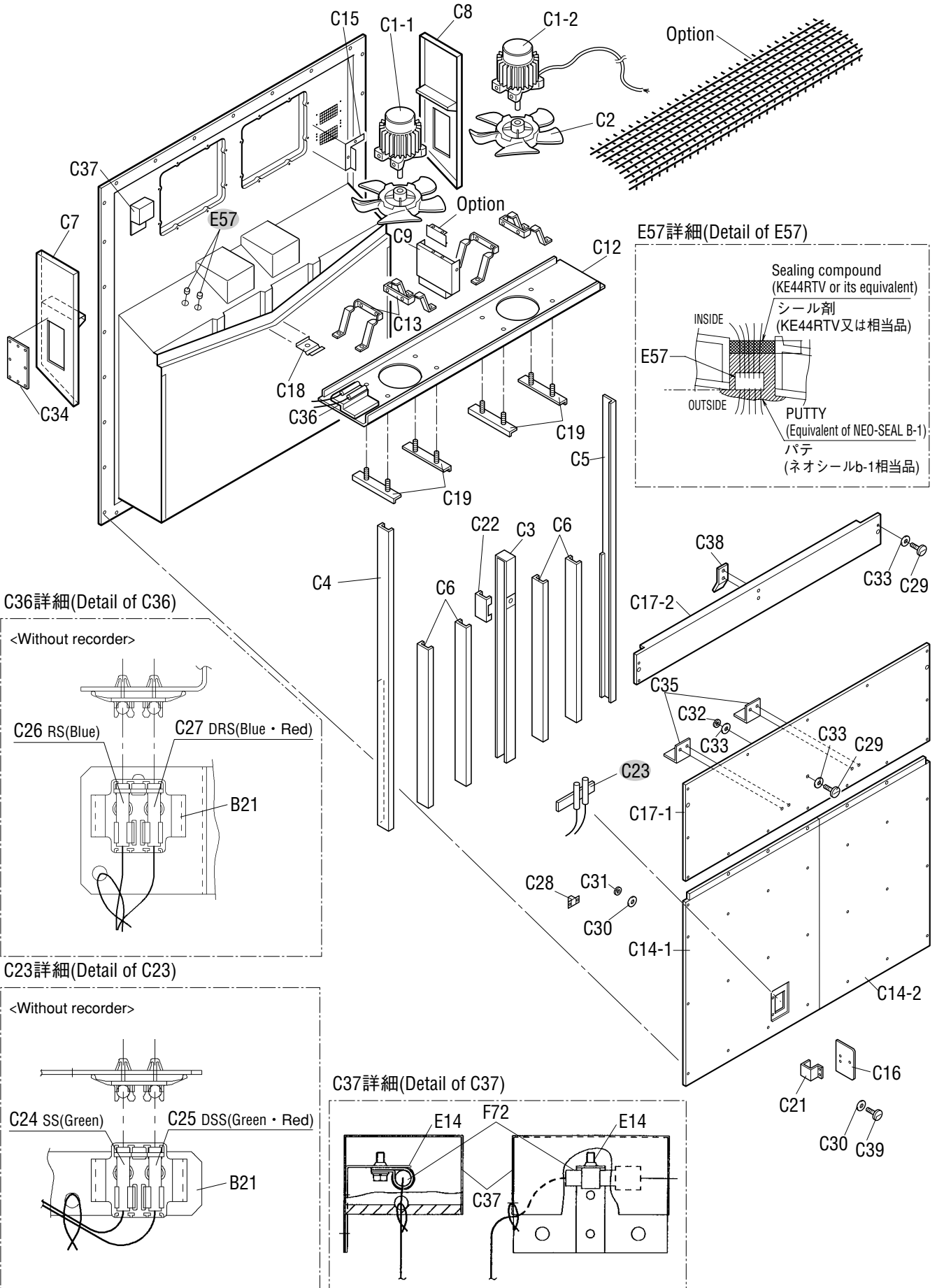


NO. 符号	INDEX	PARTS NO. 部品番号	PARTS NAME	部品名称	DWG. NO. 図面番号	TYPE SPECIFICATION 形式 仕様	QTY/UNIT 1台当たりの 所要数	REMARKS 備考
B1	A	1315426	Compressor	圧縮機	JT224DBNYR		1	
B2	C	1387173	Air cooled condenser	空冷凝縮器	2P089486-1	CA-LXE10E1	1	
B3			Discharge pipe ass'y	吐出配管組立品	2P117329-1		1	
B3-1	C	1199167	Strainer	ストレーナ	4P051389-1		1	
B3-2	C	1178920	Service valve ass'y	サービスバルブ組立品	3P048905-1		3	
B3-2-1	B	117592J	Service valve cap	キャップ	3P048905-1-KU		3	
B3-2-2	B		Service valve body	本体	3P048905-1-KA		3	
B3-2-3	B	1178850	Valve core	バルブコア	3P048905-1-KI		3	
B3-3	B	0684220	Check valve	逆止弁	3SA27008-1		1	
B3-4	A	1241361	Discharge pressure regulating valve	吐出圧力調整弁	3P074558-1		1	Refer to Page56
B3-5		1266276	Flange(convex)	吐出管フランジ (凸)	4P065933-1		1	
B3-6	B	292011	Gauge joint(with check valve)	逆止弁付ゲージ接手	2PF00177-1	VCG2DA	1	
B4			Liquid receiver ass'y	受液器組立品	2P162878-2		1	
B4-1		1266283	Liquid receiver	受液器レシーバ	4P081428-1	φ 90×t1.8	1	
B4-2		013785J	Flare nut	フレアナット	4SK23011-4	FNS4 φ 12.7	1	
B4-3	A	1498035	Fusible plug	可熔栓	3SA27103-1		1	
B4-5	B	1411533	Solenoid valve body	電磁弁本体	3SA52069-1	VPV-803DQ50	1	Refer to Page56
B4-6	A	0955287	Solenoid valve coil	電磁弁コイル	3P010453-1		1	Refer to Page56
B5			Liquid pipe ass'y	液配管組立品	3P162887-1		1	
B5-1		013785J	Flare nut	フレアナット	4SK23011-4	FNS4 φ 12.7	1	
B5-2	A	0622107	Liquid moisture indicator	モイスタチャーインジケーター	3PA51270-3	SGN12S	1	
B6			Injection tube ass'y	インジェクション管組立品	3P162892-1		1	
B6-1	C	0085296	Strainer	ストレーナ (100メッシュ)	R4697892		1	
B7a			Expansion valve pipe ass'y	膨張弁配管組立品	2P163079-3		1	
B7-1	C	1505748	Filter	フィルタ	3P011071-1		1	
B7-2	C	1490846	Strainer	ストレーナ	4P051958-1		1	
B7-3	A	125649J	Electronic expansion valve body ass'y	電子膨張弁本体組立品	2SA50010-2-KU		1	Refer to Page56
B7-4	B	1411533	Solenoid valve body	電磁弁本体	3SA52069-1	VPV-803DQ50	4	Refer to Page56
B7-5	A	1266290	Solenoid valve coil	電磁弁コイル	3P010453-2		4	Refer to Page56
B7b			ISV,ESV pipe ass'y	I S V ・ E S V 配管組立品	3P178353-2		1	
B7-6	A	0088738	Nev type solenoid valve body	NEV型電磁弁本体	R3305099-1-KI	NEV-202DXF	2	Refer to Page56
B7-7	A	1266290	Solenoid valve coil	電磁弁コイル	3P010453-2		2	Refer to Page56
B7-8	C	0964166	Strainer	ストレーナ	4P012568-1		1	
B8		1496781	Suction pipe ass'y(inside)	吸入配管組立品 (庫内)	3P071569-2		1	
B8-1	A	1254538	Suction modulating valve ass'y	吸入比例弁組立品	2P078385-1		1	Refer to Page56
B8-1-1		1270376	Upper cover, suction modulating valve	吸入比例弁カバー上	2P078385-1-KA		1	
B8-1-2		1496914	Clamp, suction modulating valve	吸入比例弁クランプ	2P078385-1-KI		1	
B8-1-3		1270390	Coil, suction modulating valve	吸入比例弁コイル	2P078385-1-KU		1	
B8-1-4		1270408	Body, suction modulating valve	吸入比例弁本体	2P078385-1-KE		1	
B8-1-5		1270415	Cover band, suction modulating valve	吸入比例弁カバーバンド	2P078385-1-KO		2	

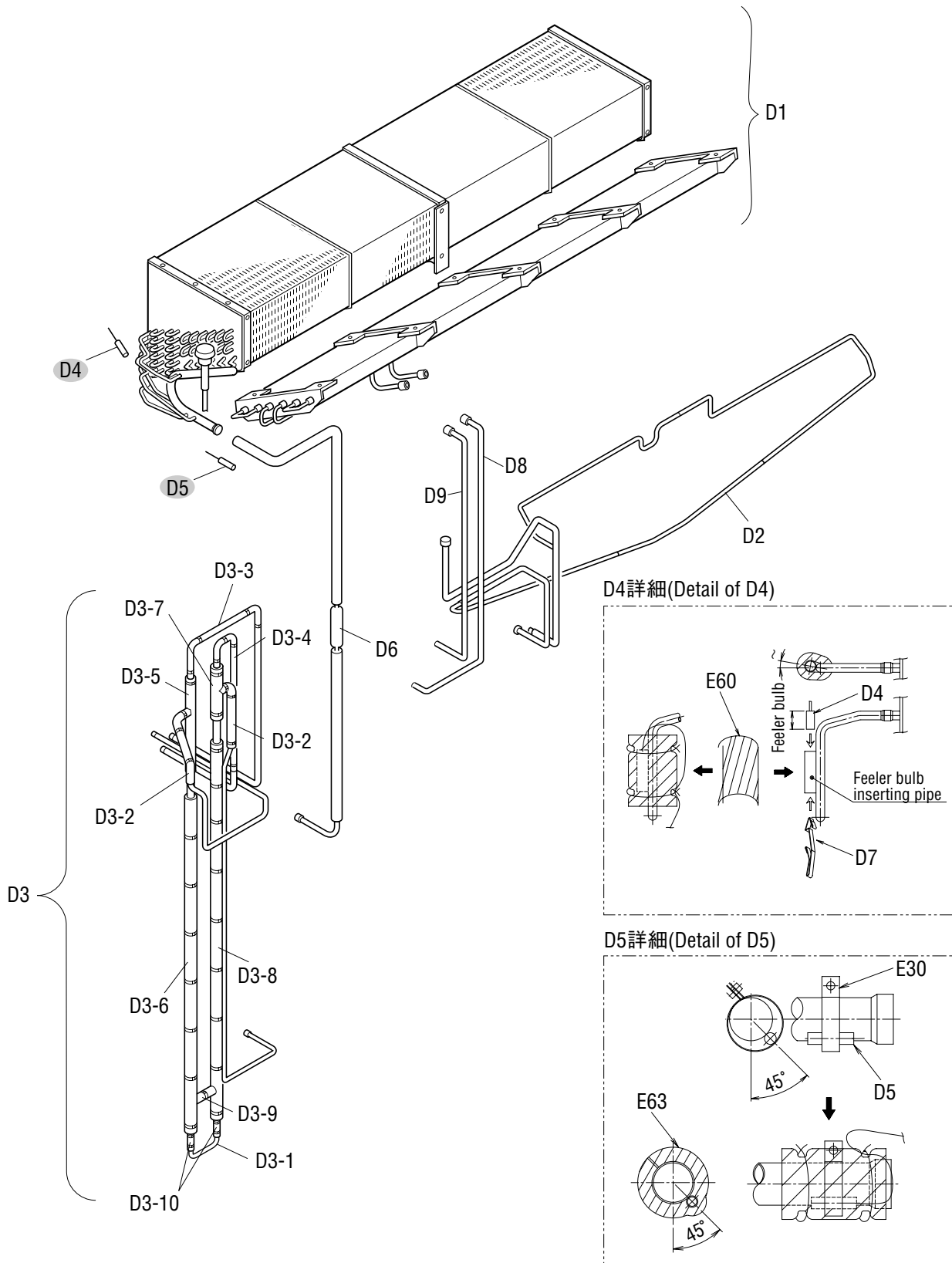
● When ordering the parts whose No. are not shown in the PARTS NO. column, be sure to describe DWG. NO..

● 部品番号欄が空白になっている部品は、図面番号で、指示願います。

NO. 符号	INDEX	PARTS NO. 部品番号	PARTS NAME	部品名称	DWG. NO. 図面番号	TYPE SPECIFICATION 形式 仕様	QTY/UNIT 1台当たりの 所要数	REMARKS 備考



NO. 符号	INDEX	PARTS NO. 部品番号	PARTS NAME	部品名称	DWG. NO. 図面番号	TYPE SPECIFICATION 形式 仕様	QTY/UNIT 1台当たりの 所要数	REMARKS 備考
C1-1	A	0955340	Three phase AC fan motor	三相交流ファン電動機	3PA07524-5	SPRK91A-42	1	
C1-2	A	0955333	Three phase AC fan motor	三相交流ファン電動機	3PA07524-4		1	
C2	B	0777519	Fan brade(inside)	プロペラファン (庫内側)	P32P11F		2	
C3		1656019	Center stay	中央ステー	3P167260-1		1	
C4		1679315	Side stay	サイドステー (1) 裏板S U S仕様	3P168538-1		1	
C5		1679409	Side stay(2)	サイドステー (2) 裏板S U S仕様	3P172409-1		1	
C6		1667141	Rear stay	背面ステー (裏板S U S仕様)	3P167261-2		4	
C7		1666838	Casing frame, evaporator	蒸発器枠 (1) 裏板S U S仕様	2P170293-1		1	
C8		1666845	Casing frame, evaporator	蒸発器枠 (2) 裏板S U S仕様	2P170293-2		1	
C9		1667165	Fan guide fixing plate	ファンガイド固定板(裏板S U S仕様)	3P168540-1		1	
C12		1667088	Fan guide ass'y	ファンガイド組立品(レヒート・樹脂製サーミスタ)	3P166890-3		1	
C13		1667172	Set plate, fan motor	電動機取付脚	3P171676-1		4	
C14-1		1622434	Rear plate(lower/left)	裏板 (下/左)	2P144516-1		1	
C14-2		1622441	Rear plate(lower/right)	裏板 (下/右)	2P144517-1		1	
C15		1496990	Shield plate	遮蔽板	4P123922-1		1	
C16		1622458	Supply sensor inspection door	サブライセンサ点検蓋	4P148634-1		1	
C17-1		1622465	Rear plate(middle)	裏板 (中)	2P144515-1		1	
C17-2		1622472	Rear plate(upper)	裏板 (上)	2P144514-1		1	
C18		1266485	Partition plate(drain outlet)	仕切板 (ドレン出口)	4P011317-1		1	
C19		1135978	Reinforce plate, fan motor	補強板 (ファン電動機台)	4P011316-1		4	
C21		1135125	Hinge	蝶番	3P043374-1		1	
C22		1266524	Support plate	支柱補強柱	4P061342-1		1	
C23		1605466	Mounting plate	サブライセンサ取付板	4P144433-1		1	
C24	A	1713330	Sensor(SS)	センサー (S S)	3PA61769-16		1	Refer to Page58
C25	A	1713347	Sensor(DSS)	センサー (D S S)	3PA61769-17		1	Refer to Page58
C26	A	1713354	Sensor(RS)	センサー (R S)	3PA61769-18		1	Refer to Page58
C27	A	1713361	Sensor(DRS)	センサー (D R S)	3PA61769-19		1	Refer to Page58
C28		860015	Universal nut	自在ナット	R4713188-1		1	
C29		1685170	Pan head screw	ナベ小ネジM5 S U S (土穴付)	4P167690-1		18	
C30		860005	Washer, speed bolt	スピードボルト用座金	R4713334		2	
C31		840002	Drop out prevention washer	脱落防止座金	R4718607-6		2	
C33		1685187	Washer	木材座金M5用 (φ20)	4P170127-5		19	
C34		1380848	Cover	カバー	3P090387-1		1	
C35		1496976	Rear plate(middle) fixture	裏板 (中) 固定具	4P105391-1		2	
C37		1667280	RH sensor mounting plate	RHセンサ固定板	4P164832-1		1	
C38		1496983	Fixing plate, rear plate(upper)	裏板 (上) 固定具	4P105390-1		1	
C39		860011	Speed bolt	スピードボルト (M6)	4P048680-1		1	
B21		1605244	Therminal fixing plate, Resin	サーミスタ固定具 (樹脂)	3P124175-1		3	
E14		0508162	Resin clamp	樹脂バンド	NE41015-3		1	
E57		1267091	Wiring protection bush	配線保護ブッシュ	4P023920-1	BLACK	2	

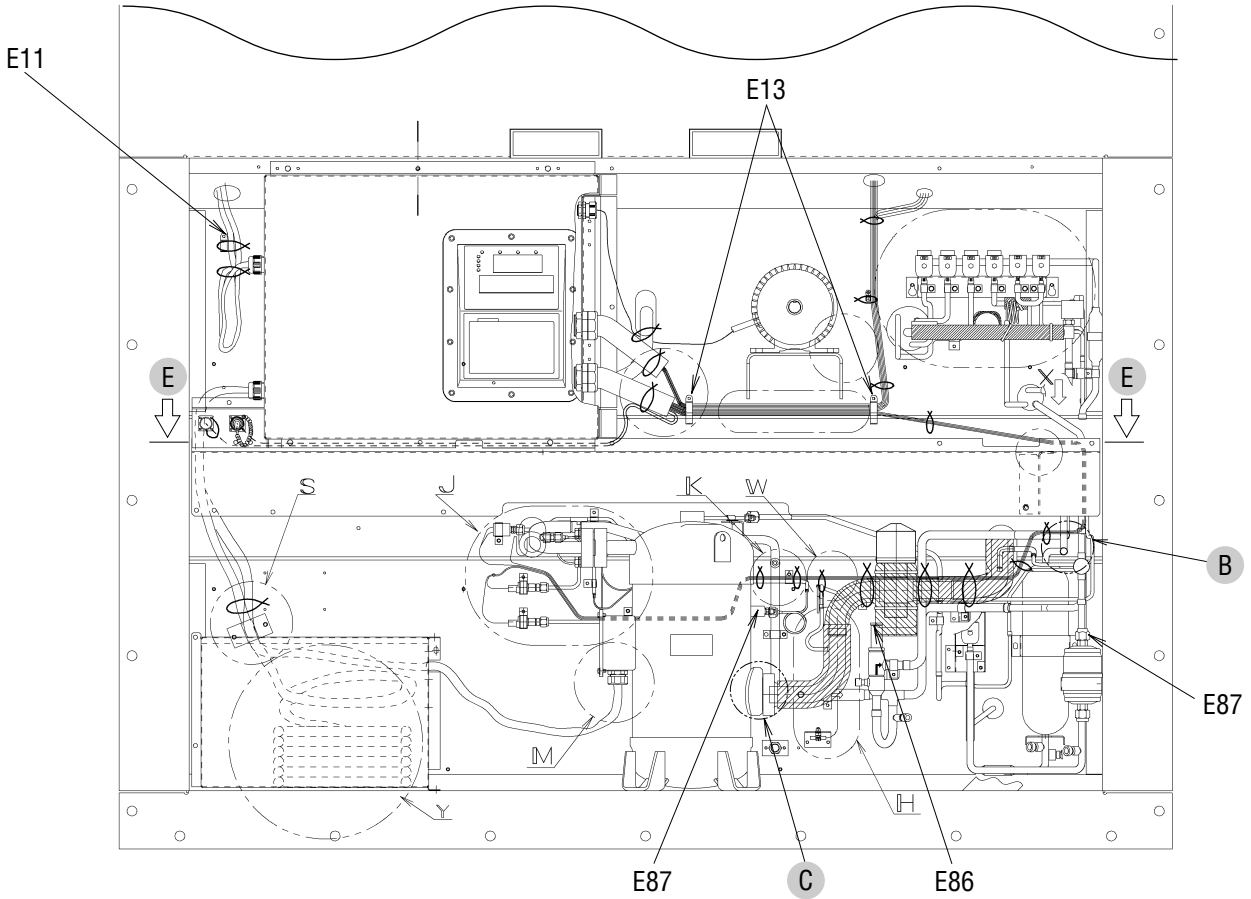


NO. 符号	INDEX	PARTS NO. 部品番号	PARTS NAME	部品名称	DWG. NO. 図面番号	TYPE SPECIFICATION 形式仕様	QTY/UNIT 1台当たりの 所要数	REMARKS 備考
D1		1683927	Evaporator ass'y	蒸発器組立品	2P163797-1	CRB-LXE10E9	1	
D2		1683934	ass'y for pipe of drain pan	ドレンパン配管組立品(レヒート)	2P167639-2		1	
D3		1683941	Heat exchanger ass'y with insulation	熱交換器防露筒組立品	3P167421-2		1	
D3-1			Dowble tube heat exchanger ass'y	二重管式熱交換器組立品	2P167001-2		1	
D3-2		1549762	Insulation tube, gas pipe(1)	ガス配管(1)防露筒	3P114518-1		2	
D3-3		1683958	Insulation tube, liquid pipe(1)	液配管(1)防露筒	3P167441-1		1	
D3-4		1683965	Insulation tube, liquid pipe(2)	液配管(2)防露筒	3P167441-2		1	
D3-5		1380918	Thermal insulation tube	断熱筒(熱交外管)	4P103439-1		1	
D3-6		1380925	Thermal insulation tube	断熱筒(熱交外管)	4P103439-2		1	
D3-7		1380932	Thermal insulation tube	断熱筒(熱交外管)	4P103439-3		1	
D3-8		1380949	Thermal insulation tube	断熱筒(熱交外管)	4P103439-4		1	
D3-9		1549971	Thermal insulation, gas pipe(3)	ガス配管(3)防露筒	3P114518-4		1	
D3-10		1549988	Thermal insulation, liquid pipe(3)	液配管(3)防露筒	4P110520-2		2	
D4	A	156282J	Senser(EIS)	センサー(EIS)	3P012118-2		1	Refer to Page58
D5	A	156283J	Senser(EOS)	センサー(EOS)	3PA61769-15		1	Refer to Page58
D6		1266308	Filter	フィルタ	3P032328-1		1	
D7		0423968	Mounting spring,thermistor	サーミスタ取付バネ	4PA38890-1		3	
D8		1713967	Reheat coil inlet pipe	レヒートコイル入口管(塗装無)MSL	3P158828-2		1	
D9		1713974	Reheat coil outlet pipe	レヒートコイル出口管(塗装無)MSL	3P158829-2		1	
E30		537320	Hose band	ホースバンド	R4716528-3		2	
E60		1267123	Thermal insulation tube piping	断熱筒配管緩衝材	4P011309-1		2	
E63		1267154	Insulation tube, evaporater header	蒸発器ヘッダー防露筒	4P073525-1		1	

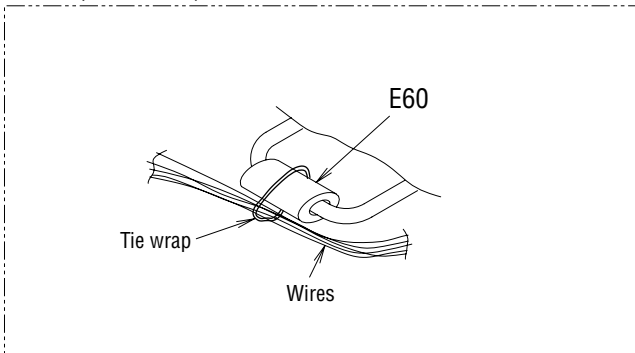
• When ordering the parts whose No. are not shown in the PARTS NO. column, be sure to describe DWG. NO..

• 部品番号欄が空白になっている部品は、図面番号で、指示願います。

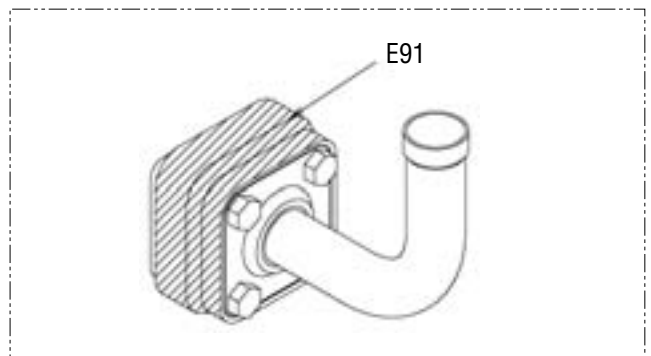
Other parts(Pipe clamp, sealing and insulation material etc.)
 その他部品 (配管固定具、シーリング材、防熱材等)



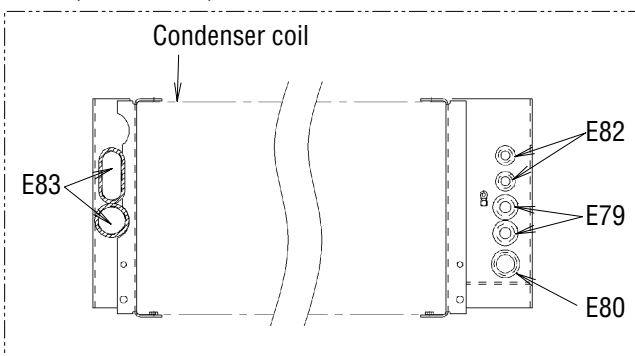
B詳細(Detail of B)



C詳細(Detail of C)



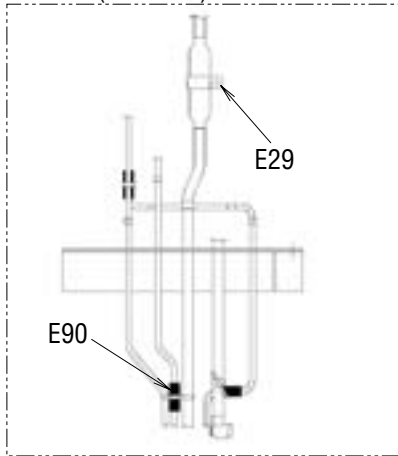
E断面(Section of E)



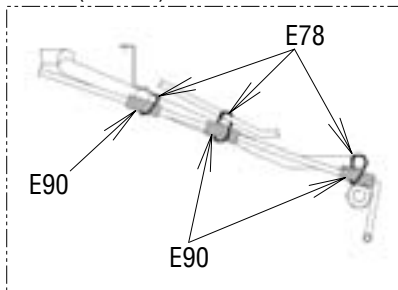
※(L = XX mm) indicates the length of cushion rubber E35.(Cut to suit pipe size.)

※(L = XX mm)と表記のものは、緩衝ゴム(E35)の長さです。(配管のサイズに合わせて切って使用ください。)

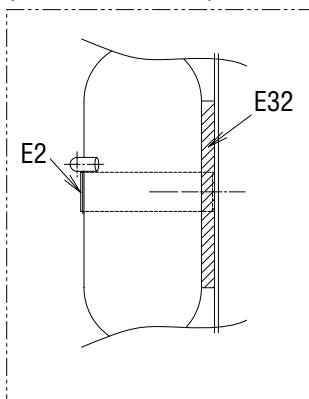
矢視A/B(View A/B)



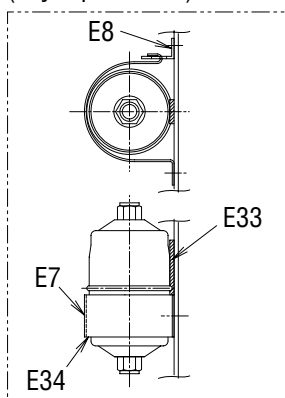
矢視D(View D)



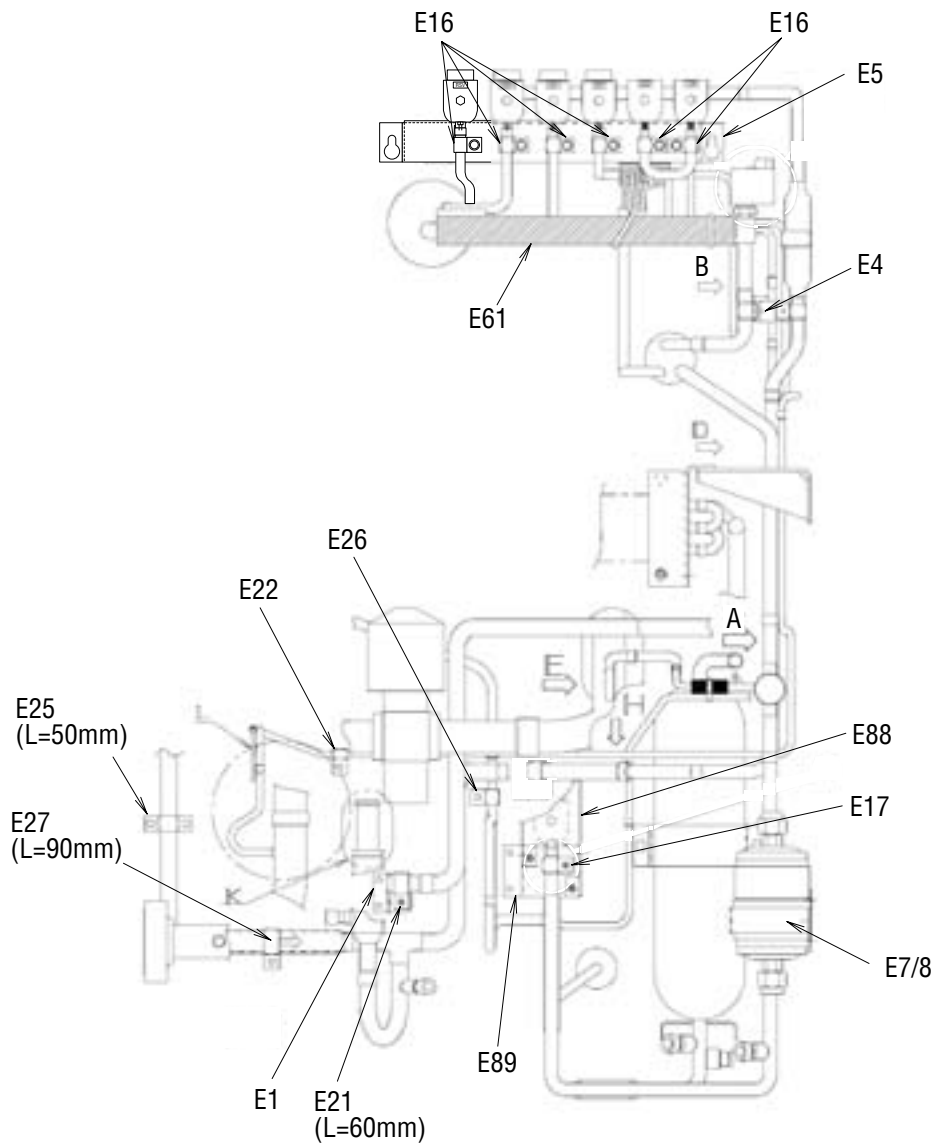
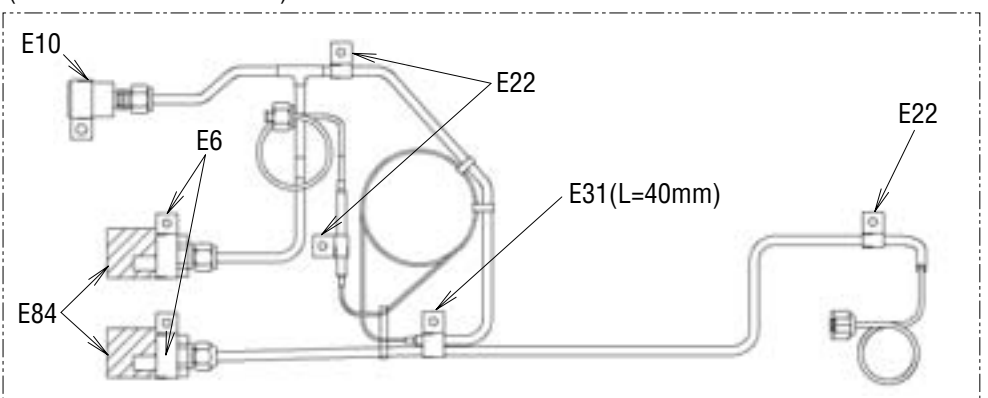
受液機器部詳細
(Receive part detail)



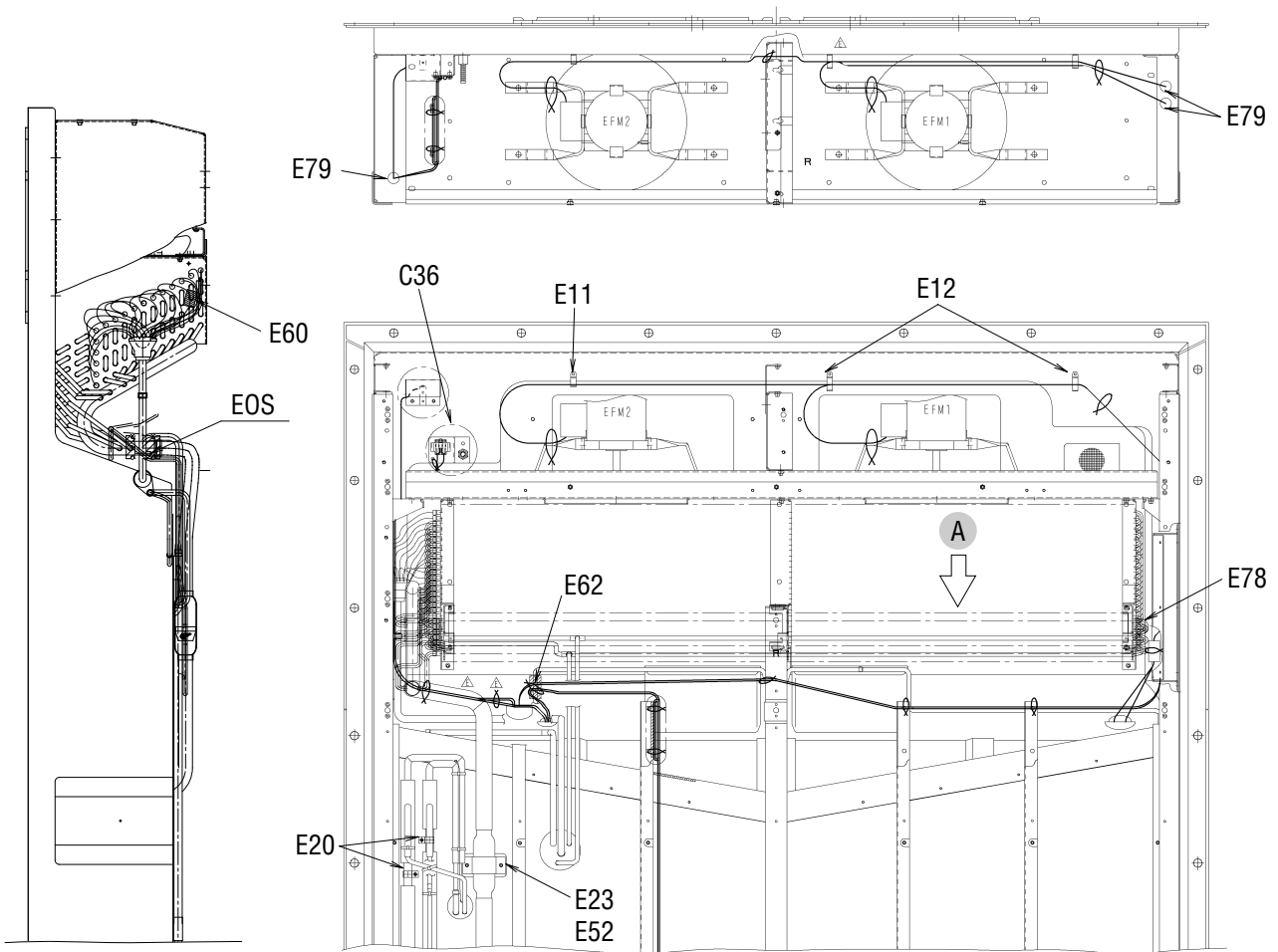
ドライヤー部詳細
(Dryer part detail)



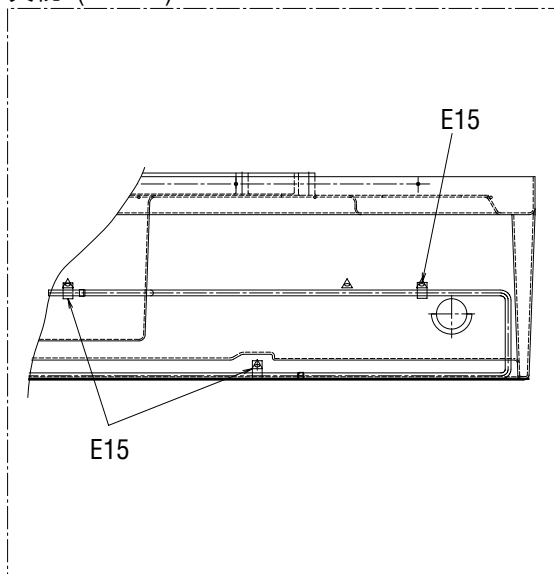
圧力センサー配管部詳細
(Pressure transducer detail)

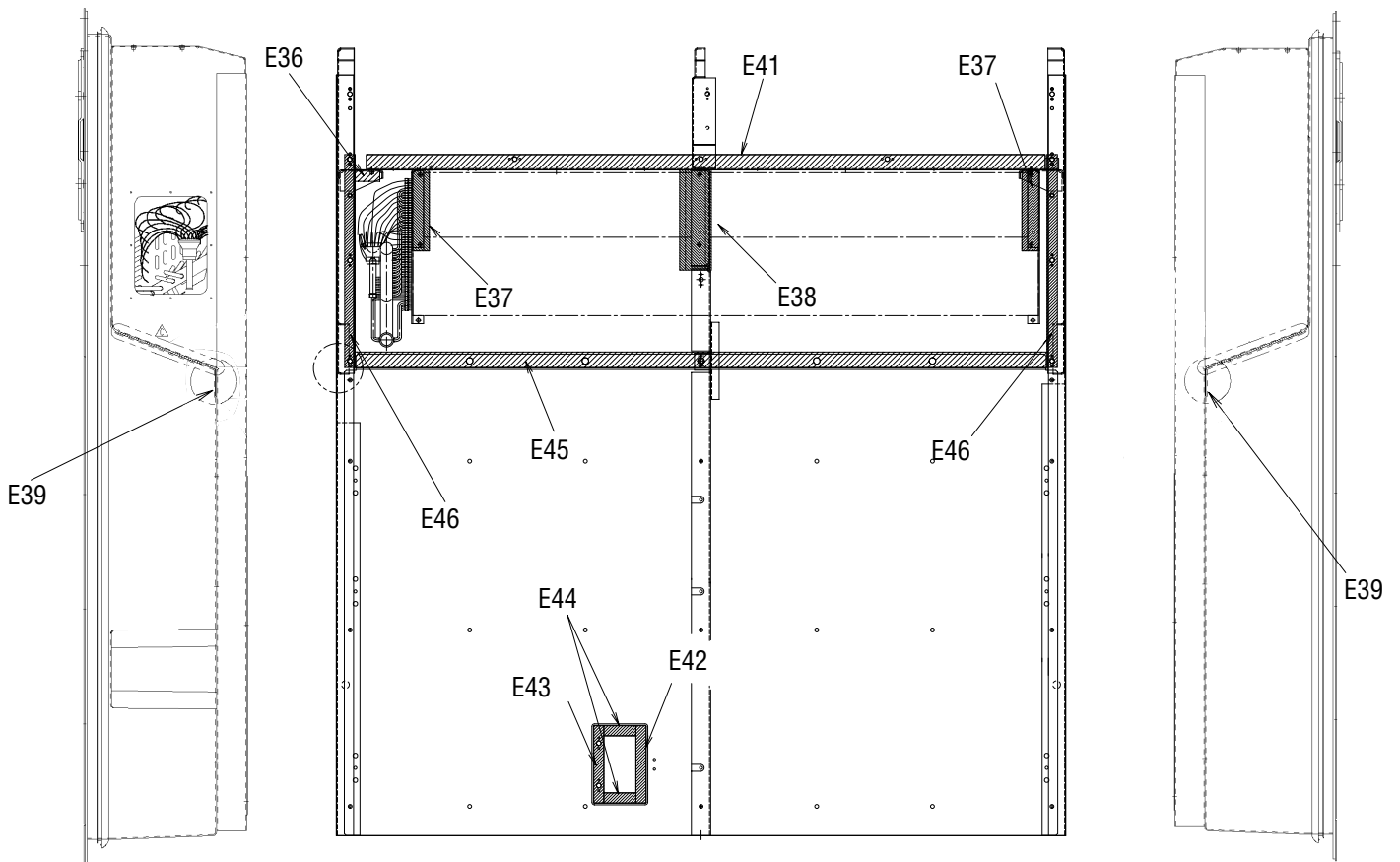
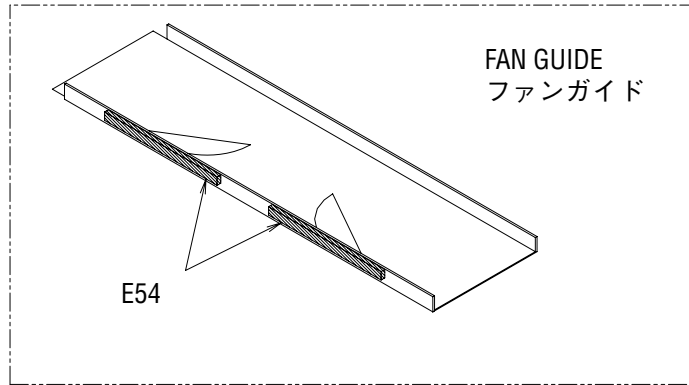


Other parts (Pipe clamp, sealing and insulation material etc.)
その他部品 (配管固定具、シール材、防熱材等)

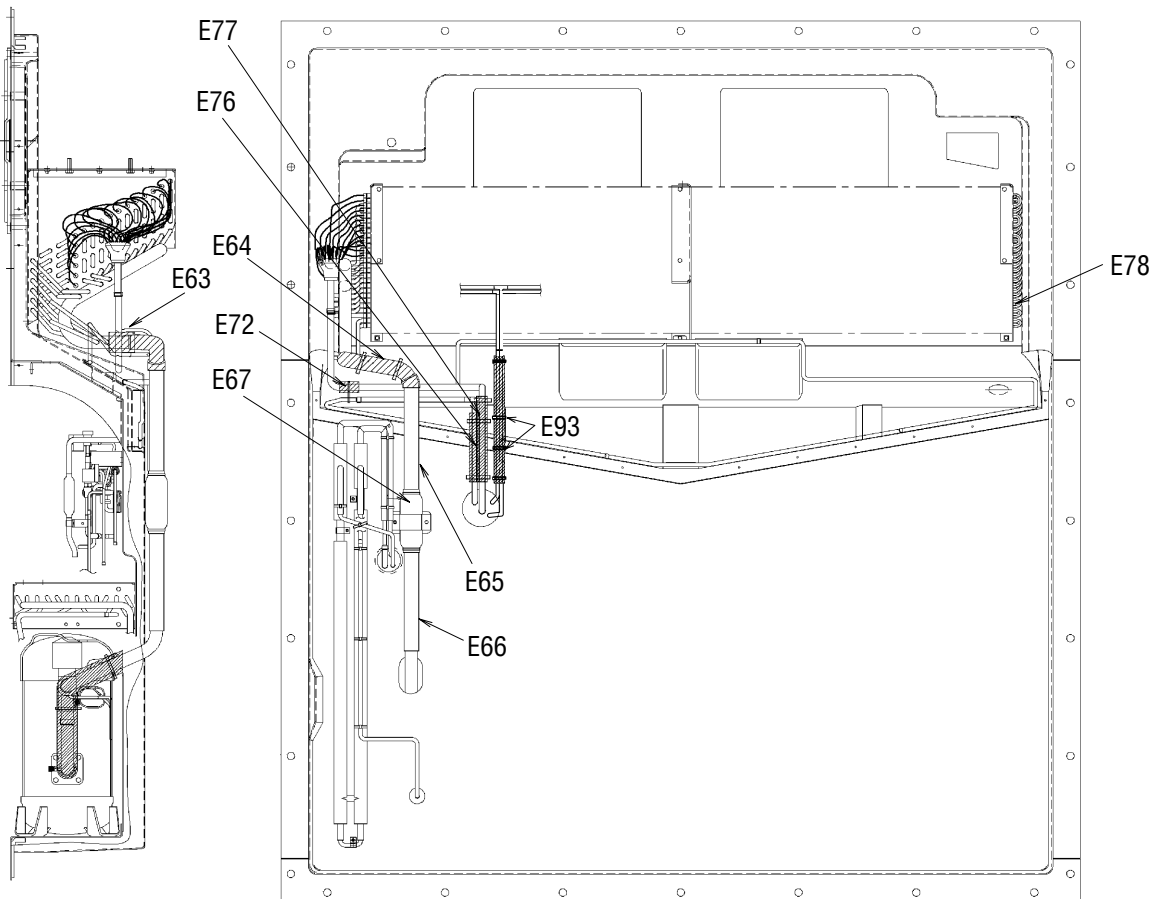
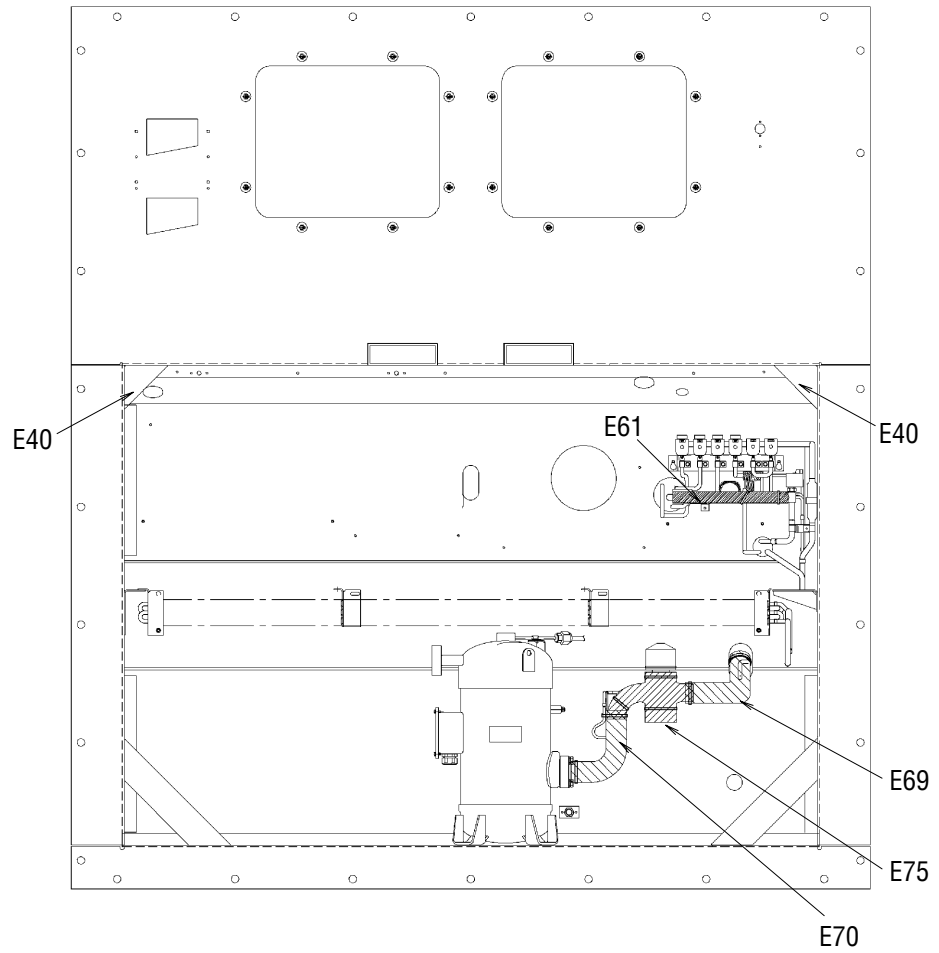


矢視A(VIEW A)





Other parts(Pipe clamp, sealing and insulation material etc.)
その他部品 (配管固定具、シール材、防熱材等)

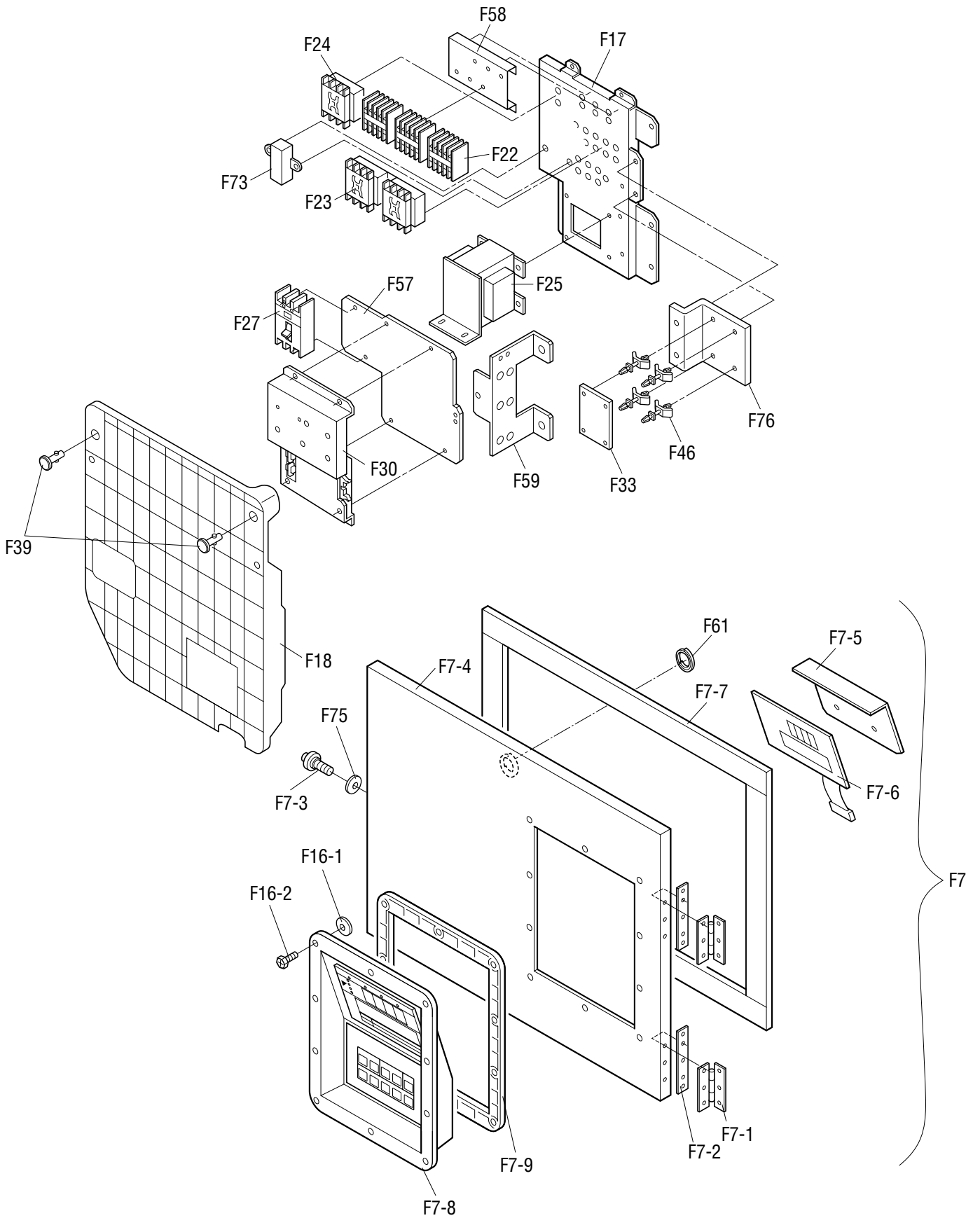


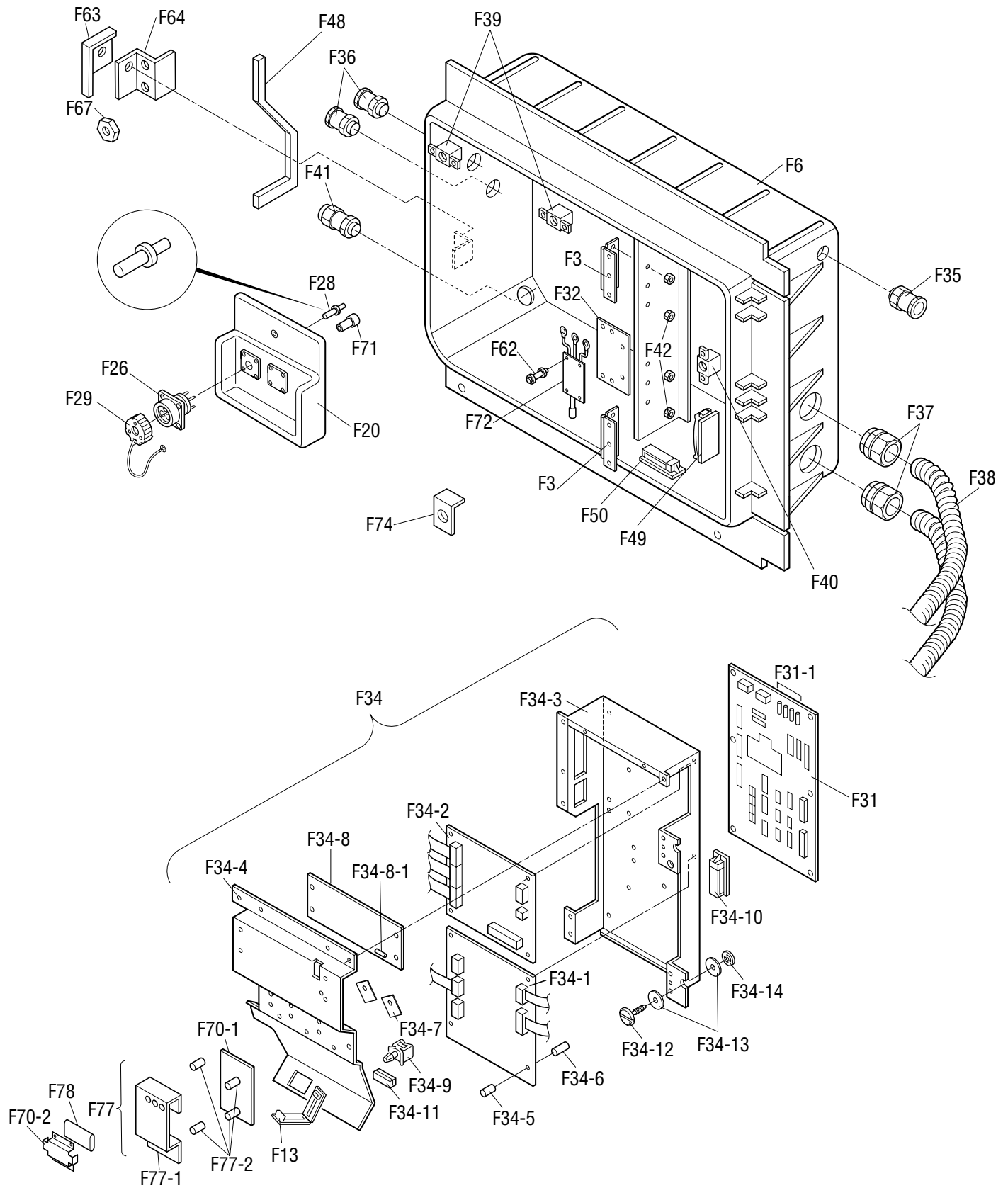
NO. 符号	INDEX	PARTS NO. 部品番号	PARTS NAME	部品名称	DWG. NO. 図面番号	TYPE SPECIFICATION 形式 仕様	QTY/UNIT 1台当たりの 所要数	REMARKS 備考
E1		1266694	Set plate, discharge pipe	吐出配管取付板	4P079462-1		1	Page33
E2		1266702	Fixture plate, receiver	レシーバー固定具	4P011318-2	t1.5	1	Page33
E4		1683972	Pipe fixing plate	配管取付板組立品 (MSL)	4P158750-1		1	Page33
E5		1726608	Mounting plate	電磁弁取付板	4P172423-1		1	Page33
E6		1592425	Tube clamp	管止め金	NE31016-58		2	Page33
E7		1266764	Fitting band, dryer	ドライヤー取付バンド	4PA51194-1		1	Page33
E8		1266771	Set plate, dryer	取付板 (ドライヤ)	4P076788-1	t2.0	1	Page33
E10		1222764	Resin clamp	樹脂バンド	NE41015-9	MILK WHITE	1	Page33
E11		0944528	Resin clamp	樹脂バンド	NE41015-7	MILK WHITE	2	Page32,34
E12		0142492	Resin clamp	樹脂バンド	NE41015-10	MILK WHITE	2	Page34
E13		1266788	Resin clamp	樹脂バンド	NE41015-12	MILK WHITE	6	Page32
E14		0508162	Resin clamp	樹脂バンド	NE41015-3		1	Page26
E15		0782775	Tube clamp	管止め金	NE31016-51		13	Page34
E16		1584215	Nylon coating tube clamp	ナイロンコーティング管止め金	4P143802-51		6	Page33
E17		1584208	Nylon coating tube clamp	ナイロンコーティング管止め金	4P143802-52		1	Page33
E20		1386992	Tube clamp, double tube heat exch	二重管熱交換管止め金	4P103281-56		2	Page34
E21		0016290	Tube clamp	管止め金	NE31016-56		1	Page33
E22		1584239	Nylon coating tube holder	ナイロンコーティング管止め金	4P143802-71		4	Page33
E23		1266827	Fixing plate, filter	フィルタ固定具	4P071794-1	t1.5	1	Page34
E24		1386985	Tube clamp, double tube heat exch	二重管熱交換管止め金	4P103281-51		1	
E25		1266841	Tube clamp	管止め金 (2)	4P005817-2		1	Page33
E26		1584215	Nylon coating tube clamp	ナイロンコーティング管止め金	4P143802-51		2	Page33
E27		1266858	Tube clamp	管止め金	NE31016-59		2	Page33
E29		1584246	Nylon coating tube clamp	ナイロンコーティング管止め金	4P143802-59		1	Page33
E30		537320	Hose band	ホースバンド	R4716528-3		2	Page30
E31		1380970	Hot gas tube clamp	ホットガス管止め金	4PA43040-1		1	Page33
E32		1266889	Cushion rubber, pipe clamp	緩衝ゴム (管止用)	4P064896-1	t2.0	1	Page33
E33		1266896	Seal packing	シールパッキン	4P011314-1		1	Page33
E34		1270446	Dryer cushion rubber	ドライヤ緩衝ゴム	4PA53083-2		1	Page33
E35		1584253	Cushion rubber	緩衝ゴム	NE41013-3-300		1	
E36		1386947	Sealing material, evaporator frame	蒸発器受枠 (1) シール材	4P090149-1		1	Page35
E37		1266935	Packing(for evaporator)	パッキン (蒸発器)	4P063465-1		2	Page35
E38		1266942	Packing(for evaporator)	パッキン (蒸発器)	4P063465-2		1	Page35
E39		1381036	Packing	パッキン	4P095033-1		2	Page35
E41		1386954	Packing, fan guide	ファンガイドパッキン	3P090183-1		1	Page35
E42		1266973	Sealing material(patch plate2)	シール材 (当板2)	4P068964-1	t5.0	1	Page35
E43		1381043	Sealing material(patch plate3)	シール材 (当板3)	4P095038-1		1	Page35
E44		1266997	Sealing material(patch plate1)	シール材 (当板1)	4P068968-1	t5.0	2	Page35
E45		1267008	Sealing packing	シールパッキン	3P011293-1		1	Page35
E46		1267015	Packing(side stay)	パッキン (サイドステー)	4P074127-1	BLACK	2	Page35

Other parts(Pipe clamp, sealing and insulation material etc.)

その他部品 (配管固定具、シール材、防熱材等)

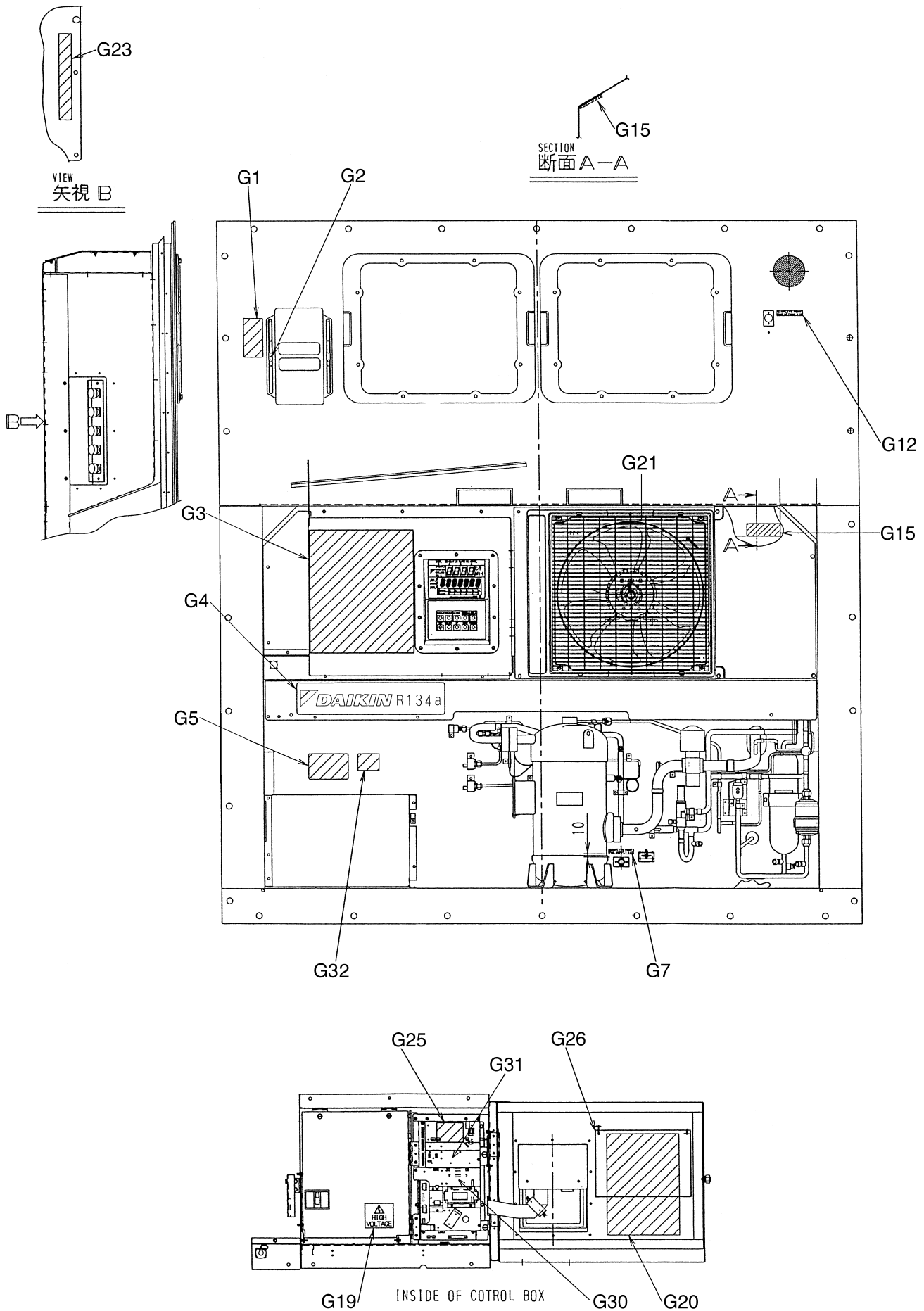
NO. 符号	INDEX	PARTS NO. 部品番号	PARTS NAME 部品名称	DWG. NO. 図面番号	TYPE SPECIFICATION 形式 仕様	QTY/UNIT 1台当たりの 所要数	REMARKS 備考
E52		1584260	Cushion rubber 緩衝ゴム	NE41013-4-230		1	Page34
E54		1267060	Packing for prevention of air bypass バイパス防止用パッキン	4P011733-1		2	Page35
E55		1267077	Packing for prevention of vibration C A前板ビビリ防止パッキン	4P050050-1		2	Page20
E57		1267091	Wiring protection bush 配線保護ブッシュ	4P023920-1	BLACK	2	Page26
E60		1267293	Thermal insulation tube 断熱筒配管緩衝材	4P011309-4		2	
E61		1683989	Insulation tube EV outlet pipe 膨張弁出口配管防露筒 (P & O)	4P170252-1		1	Page33,36
E62		1267123	Thermal insulation tube piping 断熱筒配管緩衝材	4P011309-1		1	Page34
E63		1267154	Insulation tube, evaporater header 蒸発器ヘッダー防露筒	4P073525-1		1	Page36
E64		1267161	Cushion material suction pipe(1) 吸入配管緩衝材 (1)	3P073468-1		1	Page36
E65		1267178	Cushion material suction pipe(2) 吸入配管緩衝材 (2)	3P073468-2		1	Page36
E66		1267224	Cushion material suction pipe(3) 吸入配管緩衝材 (3)	3P073468-3		1	Page36
E67		1584378	Suction pipe 吸入配管断熱材	4P140007-1		1	Page36
E69		1267255	Thermal insulation tube 断熱筒 (吸入弁庫外側)	4P081186-1		1	Page36
E70		1267262	Thermal insulation tube 断熱筒 (圧縮機根元吸入弁)	4P081187-1		1	Page36
E72		1267286	Thermal insulation tube 断熱筒配管緩衝材	4P011309-3		1	Page36
E75		1448371	Suction solenoid valve insulator 吸入比例弁防熱材 (1)	2P079441-1		1	Page36
E76		1267325	Thermal insulation tube(drain outlet) 断熱筒 (ドレン入口管防露筒)	4P067126-1		1	Page36
E77		1485921	Thermal insulation tube 熱交入口管防露筒	4P117089-1		1	Page36
E78		1278921	Heat protection tie wrap 耐熱用タイラップ	4SA90202-1		5	Page33,34,36
E79		0024640	Rubber bush ゴムブッシュ	R3713279-3		5	Page32,34
E82		1267370	Rubber bush ゴムブッシュ	R3713279-2		2	Page32
E83		1267387	U-packing U P 字形パッキン	NA40014-4-500	L=500	1	Page32
E84	B	1605509	Heat shrinkable tube 熱収縮チューブ	4P151322-1		2	Page33
E86	B	1270453	Heat shrinkable tube 熱収縮チューブ	4P075241-1		1	Page32
E87	B	1497070	Thermal insulation tape, no-dry 不乾性形断熱テープ	3SA90101-3-KA		3	Page32
E88		1667297	LSV cover 液電磁弁カバー	4P164903-1		1	Page33
E89		1656165	Mounting plate 液電磁弁・サブライセンサ固定板 (カバー有)	4P165877-1		1	Page33
E90		1381012	Protection rubber 保護ゴム	4PA43128-1		7	Page33
E91		1448388	Suction flange 吸入フランジシール材	4P083248-1		1	Page32
E93		1381029	Thermal insulation tube レヒートコイル出入口連絡配管防露筒	4P102857-1		2	Page36

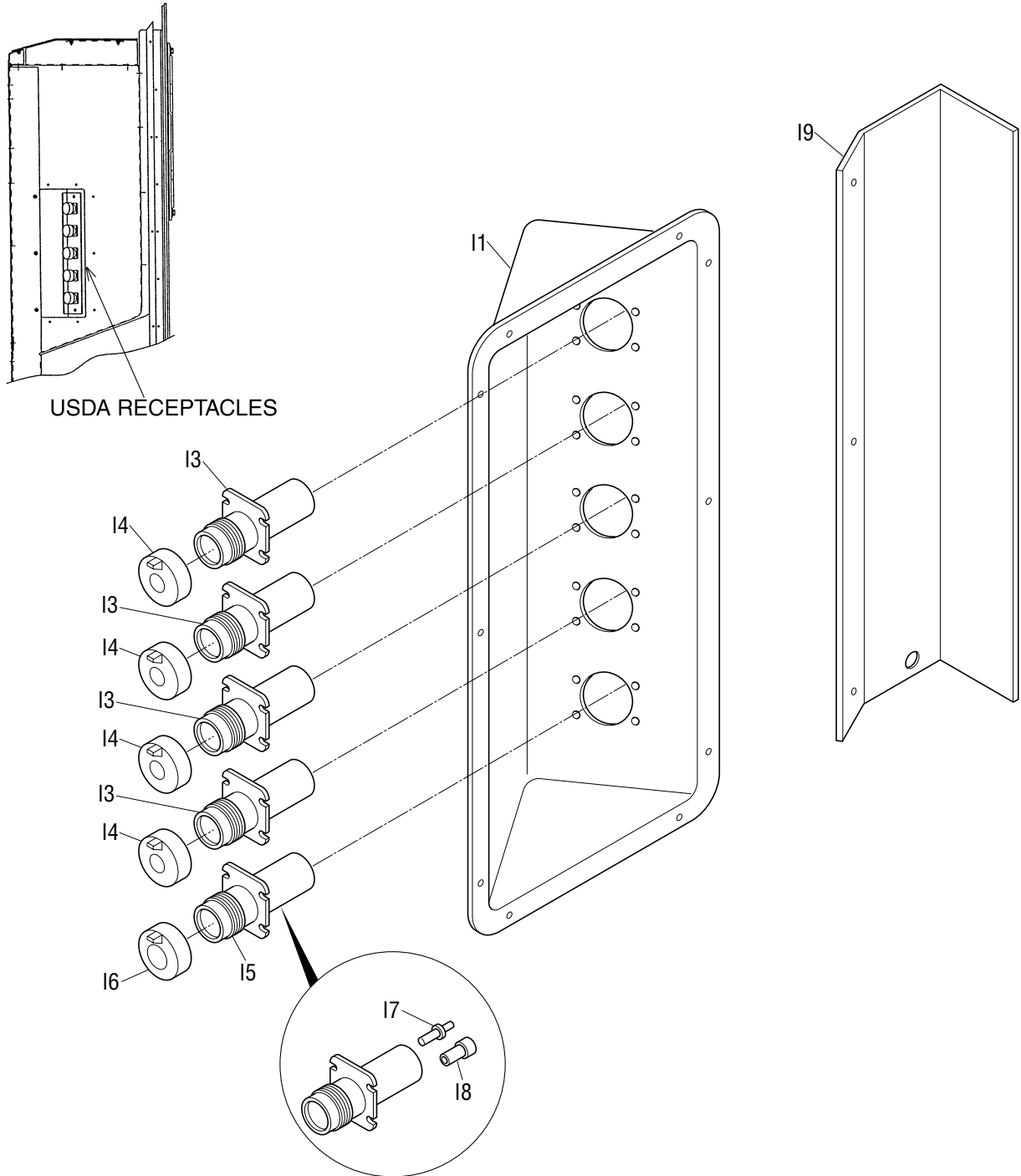


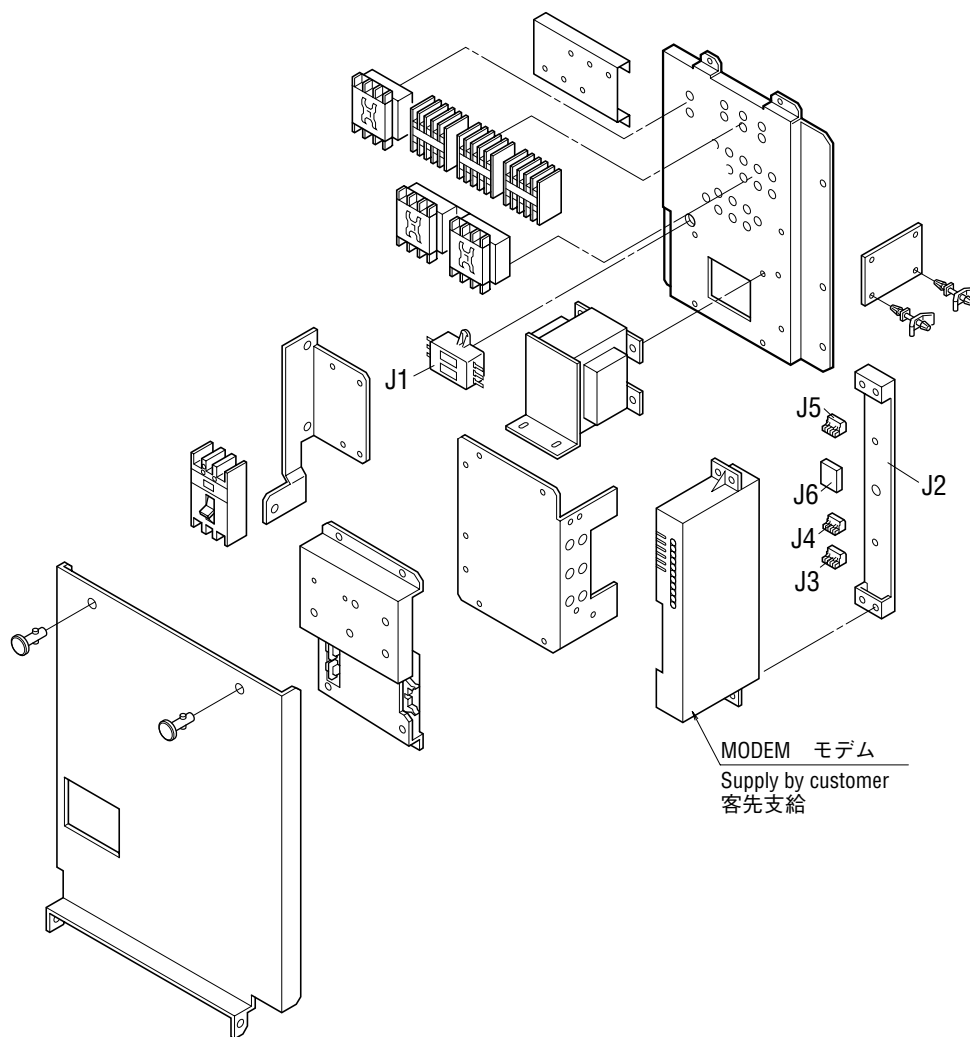


NO. 符号	INDEX	PARTS NO. 部品番号	PARTS NAME	部品名称	DWG. NO. 図面番号	TYPE SPECIFICATION 形式 仕様	QTY/UNIT 1台当たりの 所要数	REMARKS 備考
F3		1136407	Hinge(recorder/box cover)	平蝶番 (レコーダボックス蓋)	4P021346-1		2	
F6		1739293	C.BOX welding ass'y	コントロールボックス組立品 (樹脂)	2P172535-1		1	
F7		1739301	Control box cover ass'y	コントロールボックス蓋組立品	2P171706-6		1	Refer to Page54
F7-1		1136407	Hinge(recorder/box cover)	平蝶番 (レコーダボックス蓋)	4P021346-1		2	
F7-3		1267875	Roller	ワンタッチ金具用ローラ	3P054321-1		1	
F7-4		1739318	Control box cover welding ass'y	コントロールボックス蓋溶接組立品	3P172570-1		1	
F7-5		1099731	Operation display cover	操作表示カバー	2P028273-1		1	
F7-6	A	1010815	Display board	表示基板	2P010368-2		1	
F7-7		1497188	Rubber gasket	ゴムガスケット (コントロールボックス蓋用パッキン)	4P111693-1		1	
F7-8	A	1295553	Control panel(with sheet key)	コントロールパネル (シートキー付)	3P085319-1		1	
F7-9		1128949	Packing	パッキン (樹脂パネル)	3P030317-1		1	
F13		1136539	Clamp	クランプ金具	4P015574-2		1	
F16-1		0907062	Seal washer	シール座金 (ボンテッド座金)	4PA21941-5		10	
F16-2		1267488	Pan head machine screw	アプセット小ネジ	4P067677-1	M5×16	10	
F17		1739325	Set plate(1)	機器取付板 (1)	2P165714-1		1	
F18		1739332	Blind plate(2)	機器取付板 (2)	1P173093-1		1	
F20		1630916	PC port fixing plate	樹脂製パソコンポート固定具 (PPR5・無)	2P154325-4		1	
F22	A	119893J	Magnetic contactor(for Fans)	電磁接触器 (ファン用)	3P055568-1	24V PAK-6J31C	3	
F23	A	124149J	Magnetic contactor(Phase correction contactor)	相順切換電磁接触器 (PCC)	3P071508-3	24V RSK-35J	1	
F24	A	119891J	Magnetic contactor(Compressor)	電磁接触器 (圧縮機)	3P055566-1	24V PAK35J-S536	1	
F25	C	1562796	Low frequency transformer	低周波変圧器	3P139293-1		1	
F26	C	1381113	PC port connector	パソコンポートコネクタ	3P073218-1		1	
F27	A	1381120	Earth leakage circuit breaker	漏電遮断器	3P093326-1		1	
F28	C	1141144	Contact, receptacle	コンタクト、レセプタクル用	3P010806-1	HD10	3	
F29		1381137	PC port connector ass'y	パソコンポートカバー組立品	3P010743-2		1	
F30	A	0954633	PT/CT board	P T / C T ボード	2P010906-3		1	
F31	A	1679137	Terminal strip board	端子台基板	2P174377-1		1	
F31-1	A	003065J	Fuse, controller	制御用ヒューズ	4SA42006-4	250V 10A	6	
F32		1739349	Mounting plate humidity sensor	湿度センサ取付板	4P168053-1		1	
F33	A	0329679	Reverse phase protector	逆相保護装置 (RPP)	3SA42153-1	346-440V	1	
F34		1775477	Controller assemblies	コントローラ組立品	3P172236-7		1	
F34-1	A	1642553	PCB ass'y	プリント基板組立品	2P161091-2		1	
F34-2	A	1775484	I/O board ass'y	I/O ボード	2P010367-3		1	
F34-3		1739363	Bottom plate(sheet metal)	コントローラ底板	2P168028-1		1	
F34-4		1739370	Controller cover	蓋 (コントローラ)	2P168029-1		1	
F34-5		1099940	Support bushing, PCB	プリント基板サポートブッシュ	MI49531-11		14	
F34-6		1099957	Support color, PCB	プリント基板サポートカラー	MI49531-13		14	
F34-7		1267572	Rubber transistor	放熱用ゴムトランジスタ	4P005330-1		2	
F34-8	A	1250783	PC board for suction modulating valve	プリント基板組立品 (吸入制御弁用)	3P065441-1	EC0058	1	
F34-8-1	A	044543J	Fuse, control	制御用ヒューズ	4SA42006-3	250V 5A	1	

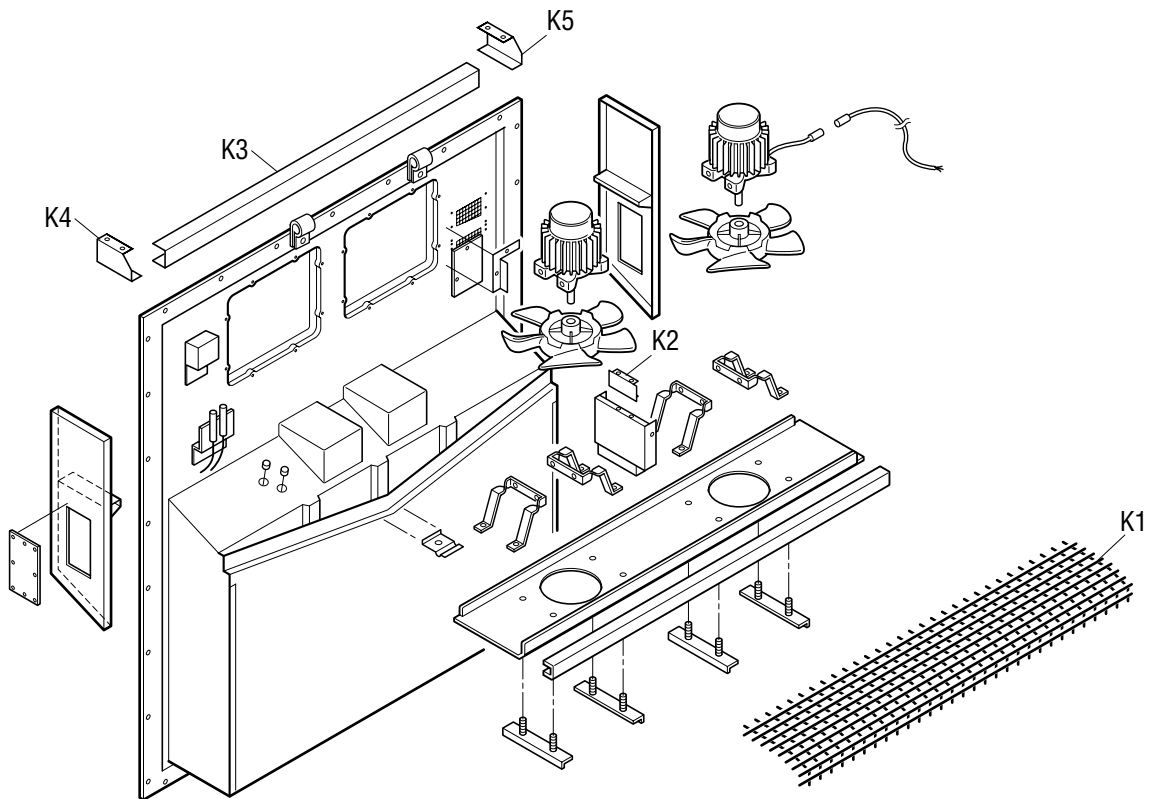
NO. 符号	INDEX	PARTS NO. 部品番号	PARTS NAME	部品名称	DWG. NO. 図面番号	TYPE SPECIFICATION 形式 仕様	QTY/UNIT 1台当たりの 所要数	REMARKS 備考
F34-9		1267596	Locking wire saddle	ロッキングワイヤサドル	4P015570-2	LWS	3	
F34-10		1267604	Flat cable clamp	フラットケーブルクランプスナップタイプ	4P015573-1		1	
F34-12		1267611	Speed bolt	スピードボルト (M6)	4P048680-3	M6X20(S)	1	
F34-13		860005	Washer, speed bolt	スピードボルト用座金	R4713334		2	
F34-14		840002	Drop out prevention washer	脱落防止座金	R4718607-6		1	
F35		1267628	Wire(wire ground)	電線 (電線グラウンド)	4P067662-1		1	
F36		1267635	Wire(wire ground)	電線 (電線グラウンド)	4P067663-1		2	
F37		1635346	Wire ground,flexible tube	樹脂製フレキシブル管用グラウンド	4P157387-1		2	
F38		1635353	Flexible tube(resin)	樹脂製フレキシブル管	4P157410-1		2	
F39		1267666	Quick fastener	クイックファスナー	4P064642-1		2	
F40		860015	Universal nut	自在ナット	R4713188-1		1	
F41		1743216	Wire ground,flexible tube	樹脂製フレキシブル管用グラウンド	4P010926-7		1	
F42		833302	Nylon nut	ナイロンナット	R4716460-1	M4	4	
F46		380401	Locking card spacer	ロッキングカードスペーサー	R3428091-2		4	
F48		1739387	Packing for control box front plate	パッキン(コントロールボックス前板(左))	4P172580-1		1	
F49		1136539	Clamp	クランプ金具	4P015574-2		2	
F50		1267712	Clamp	クランプ金具	3P049495-1		1	
F57		1739394	Breaker plate 2	ブレーカ取付板 (1)	3P168052-1		1	
F58		1739495	Mounting plate, elect components	電装品取付板 (2)	4P064227-2		1	
F59		1739402	Breaker plate 1	ブレーカ取付板 (2)	3P168051-1		1	
F61		1295623	Fixtture(instruction ring)	固定具(インストラクションリング)	4P064698-1	Wire diameter	1	
F62		1381175	Circuit board spacer	サーキットボードスペーサ	4P000347-1		4	
F63		1295630	Lever	ワンタッチ金具	4P085171-1		1	
F64		1295647	Fixing plate for lever	ワンタッチ金具取付板	4P085164-1		1	
F67		833301	Nylon nut	ナイロンナット	R4716460-3	M6	3	
F70-1	A	1684449	Chargeble battery PCB ass'y	充電器P板組立品	2P174898-1		1	
F70-2		1733473	Mounting plate	リチャージャブルバッテリーホルダー組立品(2)	4P175166-2		1	
F71		1381221	Straight pin	平行ピン(ドイチェ製シールピン)	3P040139-1		2	
F72	A	1780284	Humidity sensor(HUS)	湿度センサー	3PA61738-3		1	
F73	A	0954640	Noise filter	ノイズフィルタ	2PA51273-1		1	
F74		1780291	Protection plate	保護板 (YORK製モデム)	4P176030-1		1	
F75		1780309	Bushing	ワンタッチ金具ローラ用ブッシュ	4P171668-2		1	
F76		1780316	Mounting plate, RPP	逆相保護装置取付板	4P168038-1		1	
F77	A	1733466	Battery charger ass'y	充電・残ボルトメータASSY	3P171534-3		1	
F77-1		1780323	Mounting plate	充電・残ボルトメータ取付板	4P172284-2		1	
F77-2		1684463	Spacer	スペーサ	4P171495-1		1	
F78		1679430	Battery	電池	3P174899-1		1	



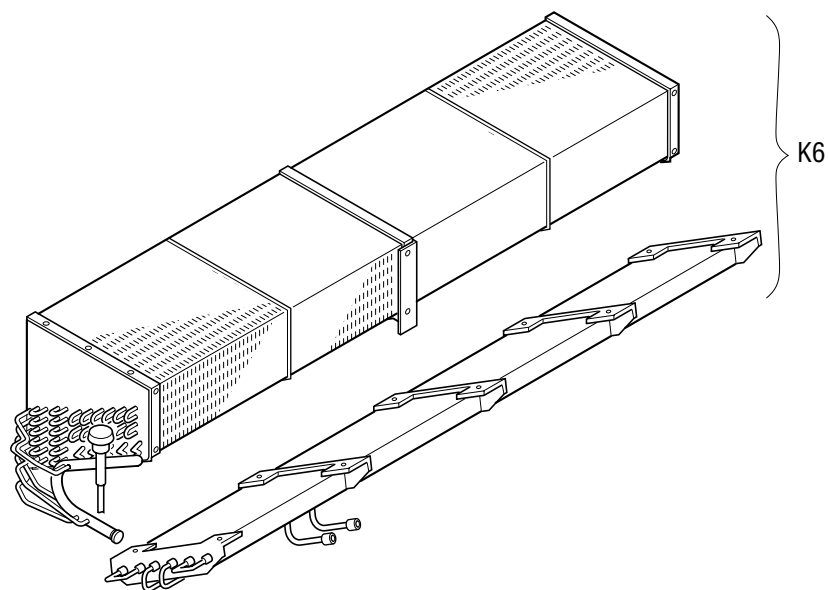




1. Indoor fan guard
1. 庫内ファンガード

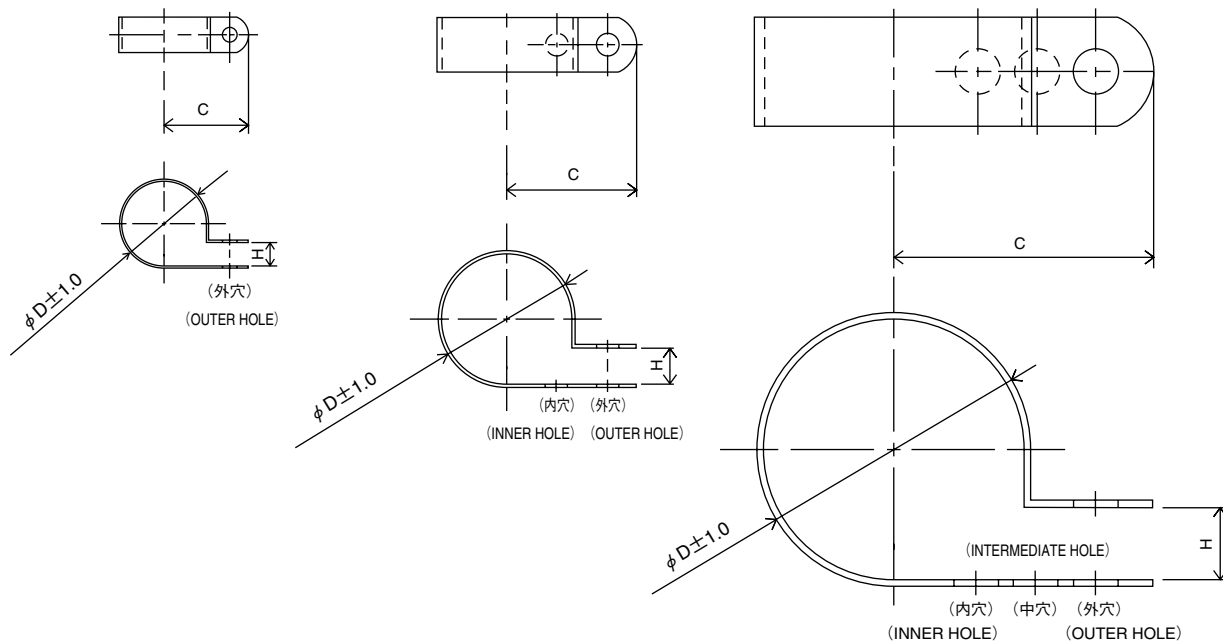


2. Evaporator coil
2. 蒸発器コイル組立品



1. Resin clamp

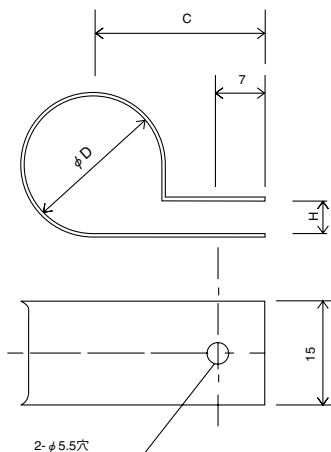
1. 樹脂バンド



NO. 符号	PARTS NO. 部品番号	PARTS NAME	部品名称	DWG NO. 図面番号	SIZE サイズ			QTY/UNIT 1台当たりの 所要数
					D	C	H	
E10	1222764	Resin clamp	樹脂バンド	NE41015-9	26.9	27.8	7.9	1
E11	0944528	Resin clamp	樹脂バンド	NE41015-7	19.8	24.6	7.9	2
E12	0142492	Resin clamp	樹脂バンド	NE41015-10	29.2	29.4	7.9	2
E13	1266788	Resin clamp	樹脂バンド	NE41015-12	39.4	34.2	9.5	6
E14	0508162	RESIN CLAMP	樹脂バンド	NE41015-3	8.4	16.7	4.8	1

2. Tube clamp

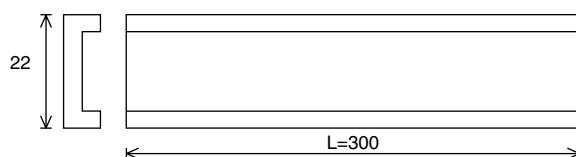
2. 管止金



NO. 符号	PARTS NO. 部品番号	PARTS NAME	部品名称	DWG NO. 図面番号	SIZE サイズ			QTY/UNIT 1台当りの 所要数
					D	C	H	
E6	1592425	Tube clamp	管止め金	NE31016-58	24	27	5	2
E15	0782775	Tube clamp	管止め金	NE31016-51	10	20	3	13
E16	1584215	Nylon coating tube clamp	ナイロンコーティング管止め金	4P143802-51	10	20	3	6
E17	1584208	Nylon coating tube clamp	ナイロンコーティング管止め金	4P143802-52	12	21	3	1
E21	0016290	Tube clamp	管止め金	NE31016-56	20	25	5	1
E22	1584239	Nylon coating tube holder	ナイロンコーティング管止め金	4P143802-71	6.4	20	1	4
E26	1584215	Nylon coating tube clamp	ナイロンコーティング管止め金	4P143802-51	10	20	3	2
E27	1266858	Tube clamp	管止め金	NE31016-59	26	28	5	2
E29	1584246	Nylon coating tube clamp	ナイロンコーティング管止め金	4P143802-59	26	28	5	1

3. Cushion rubber for pipe clamp

3. 管止金用緩衝ゴム



NO. 符号	PARTS NO. 部品番号	PARTS NAME	部品名称	DWG NO. 図面番号	QTY/UNIT 1台当りの 所要数	REMARKS 備考
E35	1584253	Cushion rubber	管止金用緩衝ゴム	NE41013-3-300	1	Cut to suit pipe size. 配管サイズに合わせて切って 使用のこと

1. Parts recommended to be ordered together with packing, gasket, sealing material and name plate
1. 発注の際にパッキングやシール材、銘板等の同時発注を推奨する部品

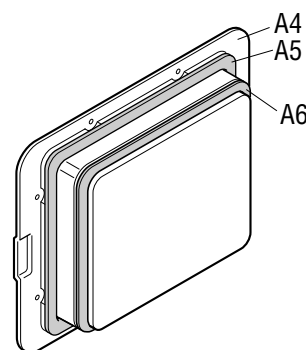
For ordering following spare parts, we recommend that you order the following packing, gasket, sealing material and name plate together at the same time.

上記のサービス扉やボックスカバーを発注の際には、下記のパッキングを同時に発注することをおすすめします。

(1) Service door

(1) サービス扉

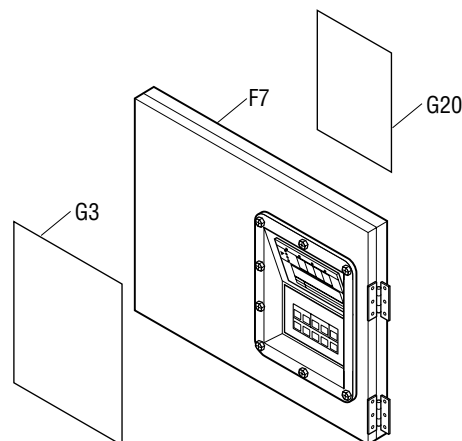
NO. 符号	PARTS NO. 部品番号	PARTS NAME	部品名称	DWG NO. 図面番号	QTY/UNIT 1台当たりの 所要数
A4	1612576	Access panel (FRP)	サービス扉組立品	1P006678-5	2
A5	1266207	Cushion material (access panel)	クッション材 (サービス扉)	3P033608-1	2
A6	1196113	Sealing material (access panel)	シール材 (サービス扉)	3P001640-2	2



(2) Control box cover

(2) コントロールボックスカバー

NO. 符号	PARTS NO. 部品番号	PARTS NAME	部品名称	DWG NO. 図面番号	QTY/UNIT 1台当たりの 所要数
F7	1739301	C.BOX cover ass'y	コントロールボックス蓋組立品	2P171706-6	1
G3	1646081	Name plate, operation	操作銘板 (C & M O D E, 韓)	1P163749-1	1
G20	1739433	Electriv wiring diagram label	電気配線図銘板	2D053293-1	1



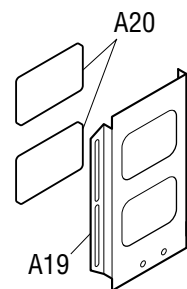
※Rubber gasket, sheet key is attached to control box cover ass'y.

※ゴムガスケットとシートキーはコントロールボックス組立品に付属しています。

(4) Ventilation cover

(4) 換気口蓋

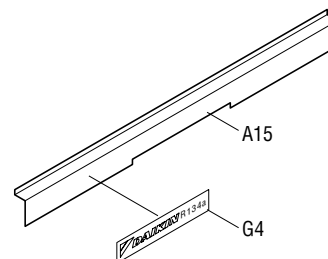
NO. 符号	PARTS NO. 部品番号	PARTS NAME	部品名称	DWG NO. 図面番号	QTY/UNIT 1台当たりの 所要数
A19	0981060	Ventilation cover	換気口蓋	3P003175-1	1
A20	1266221	Sealing material (ventilator)	シール材(換気口)	4P016185-1	2



(5) Front plate (CA)

(5) 前板 (CA)

NO. 符号	PARTS NO. 部品番号	PARTS NAME	部品名称	DWG NO. 図面番号	QTY/UNIT 1台当たりの 所要数
A15	1739286	Front plate (CA)	前板 (C A)	2P173133-1	1
G4	1726552	Name plate, Brand name and refrigerant label	意匠銘板 および 冷媒銘板	3P174603-1	1



2. Order for motorized valve, solenoid valve and pressure regulating valve

2. 電動弁・電磁弁・圧力調整弁の発注

Refer to the following table for the name, main body, solenoid coil and ass'y of solenoid valves etc. applied to this model.

この機種に使用されている電磁弁等の名称と本体・コイル・組立品は下記のとおりです。

	Body/Coil 本体/コイル	NO. 符号	PARTS NO. 部品番号	PARTS NAME 部品名称	DWG NO. 図面番号	QTY/UNIT 1台当たりの 所要数	Common Parts 共通部品			
							NEV-202DXF	VPV-803PQ60	NEV-MOAB507C1	
1.EV	本体 Body	B7-3	125649J	Electronic expansion valve body	電子膨張弁本体	2SA50010-2-KU	1			
	コイル Coil	B20	138143J	Electronic expansion valve coil	電子膨張弁コイル	2P010454-2	1			
2.HSV	本体 Body	B7-4	1411533	Hot gas solenoid valve body	ホットガス電磁弁本体	3SA52069-1	1		○	
	コイル Coil	B7-5	1266290	Hot gas solenoid valve coil	ホットガス電磁弁コイル	3P010453-2	1			○
3.DSV	本体 Body	B7-4	1411533	Defrost bypass solenoid valve body	デフロストバイパス電磁弁本体	3SA52069-1	1		○	
	コイル Coil	B7-5	1266290	Defrost bypass solenoid valve coil	デフロストバイパス電磁弁コイル	3P010453-2	1			○
4.BSV	本体 Body	B7-4	1411533	Gas bypass solenoid valve body	ガスバイパス電磁弁本体	3SA52069-1	1		○	
	コイル Coil	B7-5	1266290	Gas bypass solenoid valve coil	ガスバイパス電磁弁コイル	3P010453-2	1			○
5.RSV	本体 Body	B7-4	1411533	Reheat coil bypass solenoid valve body	レヒートコイルバイパス電磁弁本体	3SA52069-1	1		○	
	コイル Coil	B7-5	1266290	Reheat coil bypass solenoid valve coil	レヒートコイルバイパス電磁弁コイル	3P010453-2	1			○
6.ESV	本体 Body	B7-6	0088738	Economizer solenoid valve body	エコノマイザー電磁弁本体	R3305099-1-KI	1	○		
	コイル Coil	B7-7	1266290	Economizer solenoid valve coil	エコノマイザー電磁弁コイル	3P010453-2	1			○
7.ISV	本体 Body	B7-6	0088738	Injection solenoid valve body	インジェクション電磁弁本体	R3305099-1-KI	1	○		
	コイル Coil	B7-7	1266290	Injection solenoid valve coil	インジェクション電磁弁コイル	3P010453-2	1			○
8.LSV	本体 Body	B4-5	1411533	Liquid solenoid valve body	液電磁弁本体	3SA52069-1	1		○	
	コイル Coil	B4-6	0955287	Liquid solenoid valve coil	液電磁弁コイル	3P010453-1	1			○
9.SMV	組立品 Ass'y	B8-1	1254538	Suction modulating Valve	吸入比例弁組立品	2P078385-1	1		Note1 注1	
10.DPR	組立品 Ass'y	B3-4	1241361	Discharge pressure regulating valve	吐出圧力調整弁	3P074558-1	1			

Note 1 : Refer Page 22, 23 and 24 for detail parts of suction modulating valve.

注 1 : SMV (吸入比例弁) の詳細部品はP.22、23、24を参照ください。

Note 2 : Difference of solenoid valve No.1266290 and 0955287.

No.1266290 (3P010453-2) : Lead wire length 1550mm (TYPE NEV-MOAB518C1)

No.0955287 (3P010453-1) : Lead wire length 2000mm (TYPE NEV-MOAB507C1)

注 2 : 電磁弁No.1266290とNo.0955287の違い。

No.1266290 (3P010453-2) : リード線長さ1550mm (型式 NEV-MOAB518C1)

No.0955287 (3P010453-1) : リード線長さ2000mm (型式 NEV-MOAB507C1)

3. Order for pressure trasducer

3. 圧力センサーの発注

Refer to the following table for the pressure transducer applied to this model.

For ordering pressure transducer, we recommend that you order the following best shrinkable tube together at the same time.

この機種に使用している圧力センサーは下記の通りです。

圧力センサー発注の際は、下記の熱収縮チューブを同時に発注することをおすすめします。

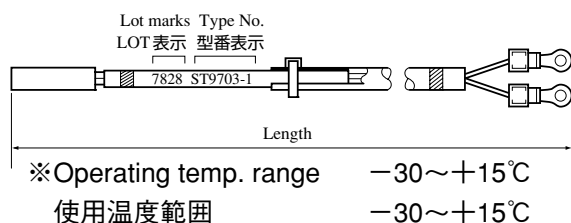
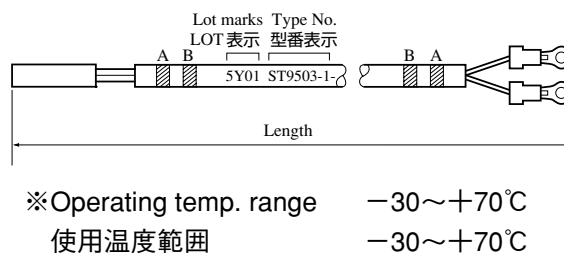
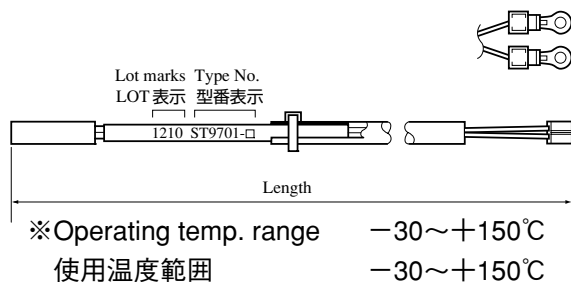
NO. 符号	PARTS NO. 部品番号	PARTS NAME	部品名称	DWG NO. 図面番号	QTY/UNIT 1台当たりの 所要数	TYPE 形式	REMARKS 備考
B16	1587959	High pressure transducer (HPT)	高圧圧力センサ (HPT)	3P141602-1	1	NSK-BD030F-70	
B15	1587942	Low pressure transducer (LPT)	低圧圧力センサ (LPT)	3P141601-1	1	NSK-BD010F-70	
E84	1605509	Heat shrinkable tube	熱収縮チューブ	4P151322-1	2		Must be applied when replacing above sensors. 上記圧力センサー 交換時使用の事。

4. Order for temperature sensor

4. 温度センサーの発注

Refer to the following table for temperature sensors applied to this model.

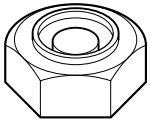
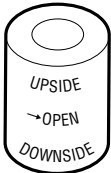
この機種に使用されている温度センサーは下記の通りです。



呼称	NO. 符号	PARTS NO. 部品番号	PARTS NAME 部品名称	DWG. NO. 図番	TYPE 形式	WIRE COLOR 配線色		LENGTH 全長mm	QTY/UNIT 1台当たりの所要数	TEMPORALY EXCHANGABILITY 緊急時互換性
						A	B			
1. SS	C24	1713330	Supply air temp. sensor 吹出空気温度センサー	3PA61769-16	ST9503-16	green 緑	- -	3100	1	○
2. DSS	C25	1713347	Data recorder supply air temp. sensor データレコーダ吹出空気温度センサー	3PA61769-17	ST9503-17	green 緑	Red 赤	3100	1	○
3. RS	C26	1713354	Return air temp. sensor 吸込空気温度センサー	3PA61769-18	ST9503-18	Blue 青	- -	2900	1	○
4. DRS	C27	1713361	Data recorder return air temp. sensor データレコーダ吸込空気温度センサー	3PA61769-19	ST9503-19	Blue 青	Red 赤	3100	1	○
5. EIS	D4	156282J	Evaporator inlet temp. sensor 蒸発器入口温度センサー	3P012118-2	ST9703-2	Brown 茶	- -	2500	1	
6. EOS	D5	156283J	Evaporator outlet temp. sensor 蒸発器出口温度センサー	3PA61769-15	ST9503-15	Yellow 黄	- -	2600	1	○
7. DCHS	B11	098332J	Discharge pipe temp. sensor 吐出管温度センサー	3SA48009-10	ST9701-10	-	-	2910	1	
8. AMBS	B12	0798321	Ambient air temp. sensor 外気温度センサー	3PA61769-6	ST9503-6	- -	- -	2600	1	○
9. SGS	B13	098333J	Compressor suction gas temp. sensor 圧縮機吸入ガス温度センサー	3PA61769-9	ST9503-9	White 白	- -	2900	1	○

1. Tools for emergency operation

1. 緊急運転用工具

NO. 符号	PARTS NO. 部品番号	PARTS NAME	部品名称	DWG NO. 図面番号	USE 用途	ILLUSTRATION 姿図
-	1080263	Emergency coil cap	エマージェンシー コイルキャップ	3P017370-1	For electronic expansion valve 電子膨張弁用	
-	1270530	Emergency magnet	エマージェンシー マグネット	2P078385-2	Suction modulating valve 吸入比例弁用	

(See Service Manual for application.)

(使用方法はサービスマニュアルを参照ください。)

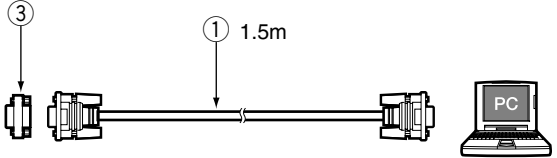
2. Personal computer cable (for DCCS)

2. パソコンケーブル（DCCS用）

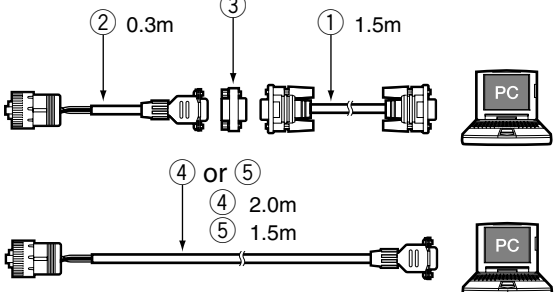
The following parts are connector cables required to exchange information between the refrigeration unit and personal computer. The table below describes parts required to apply to Model LXE-C, -D, and -E new model.

下記の部品は冷凍ユニットとパソコンの情報交換に必要なコネクタ、ケーブル類です。LXE-C型、D型、及び新機種E型対応に必要な部品を掲載しています。

[TYPE A]タイプA

LXE10C LXE10CA LXE10D for MOL	LXE10C LXE10CA MOL用LXE10D	
(Receptacle) RS232C (Female) on the controller	(レセプタクル) RS232C (メス) コントローラー側	

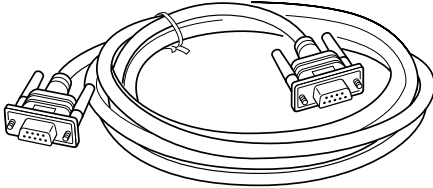
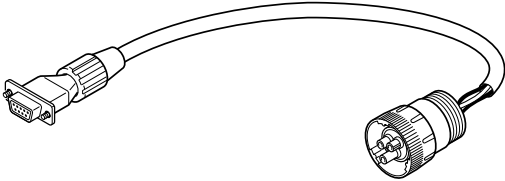
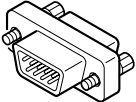
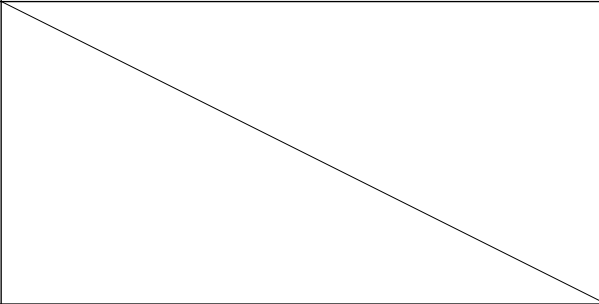
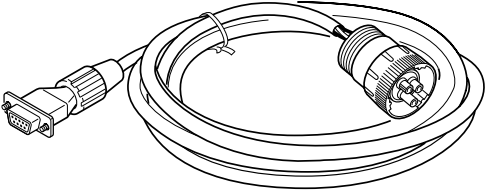
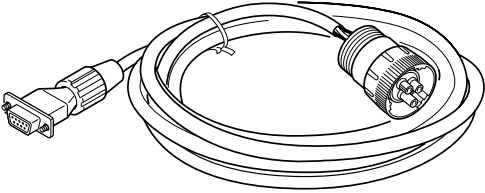
[TYPE B]タイプB

LXE10D LXE10E	LXE10D LXE10E	
(Receptacle) Water proof type on the unit	(レセプタクル) コンテナ冷凍機 ユニットの防水型	

(1) Parts No.

(1) 部品番号

NO. 符号	PARTS NO. 部品番号	PARTS NAME	部品名称	REMARKS 備考
①	Local supply 市販品	Connection cable (reverse)	接続ケーブル (リバース)	RS232C reverse (cross) type RS232Cリバース (クロス) 型
②	9993324	Connection cable	接続ケーブル	
③	Local supply 市販品	Adapter (gender changer)	アダプター (ジェンダーチェンジャー)	D-sub 9P, Male-Male Dサブ9ピン、オス-オス
④	1087149	Connection cable (3 Pins)	接続ケーブル (3ピン)	LXE10E-A Standard LXE10E-A標準
⑤	1384509	Connection cable (5 Pins)	接続ケーブル (5ピン)	For LXE10E-A14,A15 LXE10E-A14、A15用

NO. 符号	Illustration 姿図	Internal Wiring 内部配線																														
①		<p>RS232C Female RS232C Female</p> <p>メス メス</p> <table border="0"> <tr><td>1</td><td>↔</td><td>1</td></tr> <tr><td>2</td><td>↔</td><td>2</td></tr> <tr><td>3</td><td>↔</td><td>3</td></tr> <tr><td>4</td><td>↔</td><td>4</td></tr> <tr><td>5</td><td>↔</td><td>5</td></tr> <tr><td>6</td><td>↔</td><td>6</td></tr> <tr><td>7</td><td>↔</td><td>7</td></tr> <tr><td>8</td><td>↔</td><td>8</td></tr> <tr><td>Frame</td><td></td><td>Frame</td></tr> <tr><td>フレーム</td><td></td><td>フレーム</td></tr> </table>	1	↔	1	2	↔	2	3	↔	3	4	↔	4	5	↔	5	6	↔	6	7	↔	7	8	↔	8	Frame		Frame	フレーム		フレーム
1	↔	1																														
2	↔	2																														
3	↔	3																														
4	↔	4																														
5	↔	5																														
6	↔	6																														
7	↔	7																														
8	↔	8																														
Frame		Frame																														
フレーム		フレーム																														
②		<p>Daikin made RS232C Female</p> <p>ダイキン製 メス</p> <table border="0"> <tr><td>A</td><td>Red</td><td>1</td></tr> <tr><td>B</td><td>White</td><td>2</td></tr> <tr><td>C</td><td>Black</td><td>3</td></tr> <tr><td></td><td></td><td>4</td></tr> <tr><td></td><td></td><td>5</td></tr> <tr><td></td><td></td><td>6</td></tr> <tr><td></td><td></td><td>7</td></tr> <tr><td></td><td></td><td>8</td></tr> <tr><td></td><td></td><td>9</td></tr> </table>	A	Red	1	B	White	2	C	Black	3			4			5			6			7			8			9			
A	Red	1																														
B	White	2																														
C	Black	3																														
		4																														
		5																														
		6																														
		7																														
		8																														
		9																														
③																																
④		<p>Daikin made RS232C Female</p> <p>ダイキン製 メス</p> <table border="0"> <tr><td>A</td><td>Red 赤</td><td>1</td></tr> <tr><td>B</td><td></td><td>2</td></tr> <tr><td>C</td><td>White 白</td><td>3</td></tr> <tr><td></td><td></td><td>4</td></tr> <tr><td></td><td>Black 黒</td><td>5</td></tr> <tr><td></td><td></td><td>6</td></tr> <tr><td></td><td></td><td>7</td></tr> <tr><td></td><td></td><td>8</td></tr> <tr><td></td><td></td><td>Frame</td></tr> <tr><td></td><td></td><td>フレーム</td></tr> </table>	A	Red 赤	1	B		2	C	White 白	3			4		Black 黒	5			6			7			8			Frame			フレーム
A	Red 赤	1																														
B		2																														
C	White 白	3																														
		4																														
	Black 黒	5																														
		6																														
		7																														
		8																														
		Frame																														
		フレーム																														
⑤		<p>Daikin made RS232C Female</p> <p>ダイキン製 メス</p> <table border="0"> <tr><td>A</td><td>Red 赤</td><td>1</td></tr> <tr><td>B</td><td></td><td>2</td></tr> <tr><td>C</td><td>White 白</td><td>3</td></tr> <tr><td>D</td><td></td><td>4</td></tr> <tr><td>E</td><td>Black 黒</td><td>5</td></tr> <tr><td></td><td></td><td>6</td></tr> <tr><td></td><td></td><td>7</td></tr> <tr><td></td><td></td><td>8</td></tr> <tr><td></td><td></td><td>Frame</td></tr> <tr><td></td><td></td><td>フレーム</td></tr> </table>	A	Red 赤	1	B		2	C	White 白	3	D		4	E	Black 黒	5			6			7			8			Frame			フレーム
A	Red 赤	1																														
B		2																														
C	White 白	3																														
D		4																														
E	Black 黒	5																														
		6																														
		7																														
		8																														
		Frame																														
		フレーム																														

<https://daikin-p.ru>

MEMO

大金工业株式会社

DAIKIN INDUSTRIES,LTD.

본 사 우편번호 530-8323
오사카시 기타구 나카자키니시 2-4-12
우메다 센터 빌딩
전화 (오사카) (06) 6373-4338 (대표번호)

토쿄사무실 우편번호 108-0075
일본 도쿄도 미나토구 코난2초메18-1
JR 시나가와 히가시빌딩 10층
Tel:03-6716-0420
Fax:03-6716-0230

Head Office. Umeda Center Bldg., 4-12, Nakazaki-Nishi 2-chome, Kita-ku, Osaka, 530-8323 Japan.

Tel: 06-6373-4338

Fax: 06-6373-7297

Tokyo Office. JR Shinagawa East Bldg., 10F 18-1, Konan 2-chome, Minato-ku Tokyo, 108-0075 Japan.

Tel: 03-6716-0420

Fax: 03-6716-0230