

<https://daikin-p.ru>

DAIKIN



Marine type Container Refrigeration Unit

船用集装箱制冷机组

Service Manual · Parts List

维修操作手册 · 零部件表

Optional Functions · 选购件功能编

LXE10E-A36

LXE10E-A36A

DAIKIN INDUSTRIES, LTD.

大金工业株式会社

TR07-04A

Covered Models

Regarding the features, operation and after servicing, please refer to the service manual(TR02-14).

记载机型

关于本装置的特点，使用以及售后服务等内容，请参阅维护说明书 TR03-01。

<https://daikin-p.ru>

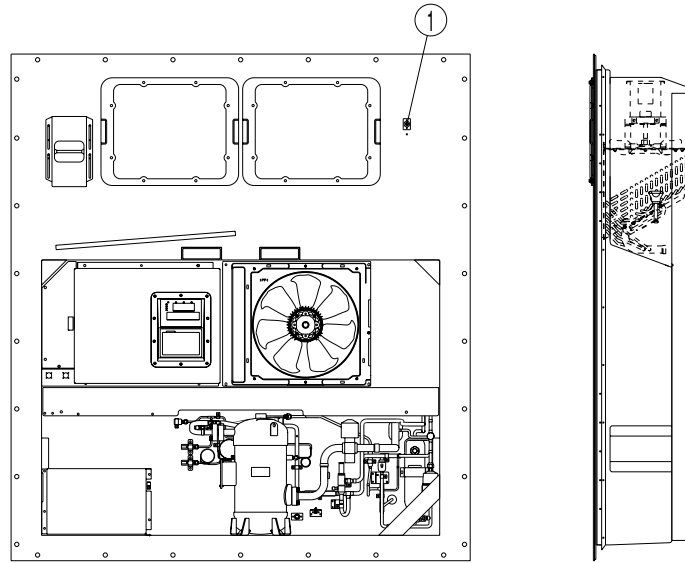
CONTENTS

| | |
|--|---|
| 1. Names of components | 4 |
| 2. Transducer | 5 |
| 3. Initial setting table into spare controller | 6 |
| 4. Refrigerant piping diagram | 7 |
| 5. Schematic wiring diagram | 8 |
| 6. Stereoscopic wiring diagram | 9 |

目 次

| | |
|----------------------|----|
| 1. 部件名称 | 11 |
| 2. 传感器 | 12 |
| 3. 备用控制器的初始设定表 | 13 |
| 4. 系统管路图 | 14 |
| 5. 配线示意图 | 15 |
| 6. 配线立体图 | 16 |

1. Names of components



① Sampling port (Return)

2. Transducer

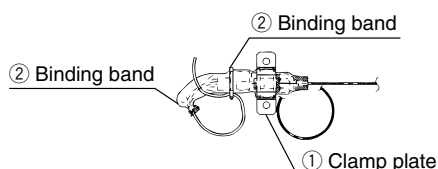
2.1 Low pressure transducer (LPT)

| | | |
|----------------------|-----------------|------------|
| | Transducer type | NSK-BC010F |
| Identification color | Transducer | Black body |
| | Connector | Nothing |

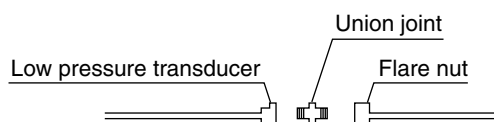
The LPT is located in the refrigerant circuit.
The operating low pressure value is displayed on the controller indication panel.

(1) Replacing the transducer

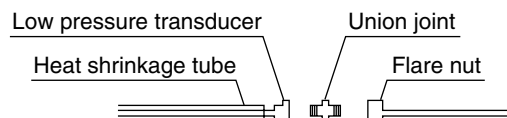
- ① Disconnect the lead wire from the control box.
- ② In order to prevent refrigerant from flowing out, disconnect the low-pressure transducer piping from the gauge joint (with check valve) on the compressor side.
- ③ Remove two screws on the clamp plate fixing low pressure transducer in place, and cut the binding bands.



- ④ Remove the heat shrinkage tube, and disconnect the connector from the low pressure transducer.



- ⑤ Insert the pressure transducer cable through the heat shrinkage tube, and connect the union joint and connector to the new low pressure transducer. If paint on the low pressure transducer is peeled off, apply clear lacquer.

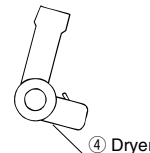
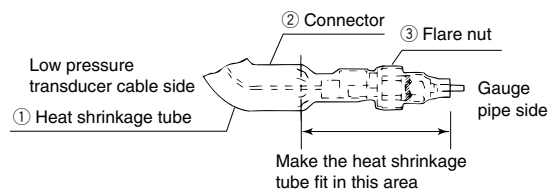


CAUTION

Do not expose the low pressure transducer to hot air of a dryer for excess time.

Otherwise, the transducer may be damaged.

- ⑥ Apply the heat shrinkage tube in the following position, then shrink it with hot air of a dryer.

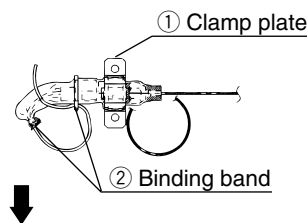


- ⑦ Apply sealer between the heat shrinkage tube and the flare nut. (Sealer :KE4898)



- ⑧ Fix the low pressure transducer with the clamp plate, and fix the cable with the binding band.

Fix the shrinkage tube end of the cable side downward for prevention of water entering into the tube.



Fix the tube directing the end downward

2.2 High pressure transducer (HPT)

| | | |
|----------------------|-----------------|------------------|
| | Transducer type | NSK-BC030F |
| Identification color | Transducer | Red & Brown body |
| | Connector | Nothing |

The HPT is located in the refrigerant circuit.
The operating high pressure value is displayed on the controller indication panel.

(1) Replacement procedure

The replacement procedure is the same as that for the low pressure transducer.
Make sure that the fixing position and the cable connection is correct.

3. Initial setting table into spare controller

| MODEL NAME Note 1 | ※7. Optional function setting mode | | | | ※8. Basic function mode | | | | | | | | | | ※9. Optional Condition setting mode | | | | | | | | | | ※10. Input Data | | |
|----------------------|------------------------------------|--------------------------|--------------------|------------------|-------------------------|-------------|------------|--------------------|----------------------|---------------------|--------|---------------------------|------------------|--------|-------------------------------------|--------|--------|--------|--------|--------|--------|--------|--------|--------|------------------|----------------|---------------------|
| | USdA | dHu | DECOS-3 | LOG INT | REC SEN | OC-SET | HP | dISP | COMP | REHEAT | FA SEN | CHARTLS | USdA1/2 | H001 | H002 | H003 | H004 | H005 | H006 | D1-- | D2-- | D3-- | D-1- | D-2- | C/F | SET Id | SET TIME |
| LXE10E | USdA sensor | Dehumidification control | Controller setting | Logging interval | Data recorder sensor | Input power | Hose power | Panel lighting OFF | Comp./Unload setting | Reheat coil setting | | D/H code alarm indication | USdA sensor type | H code | H code | H code | H code | H code | H code | D code | D code | D code | D code | D code | Temp. indication | Container I.D. | Controller set time |
| -A36 -A36A | OFF | OFF | D | 60 | ON | Single | 10 | OFF | 100 | ON | OFF | ON | 2 | 3 | 2 | 2 | 2 | 2 | 3 | 1 | 1 | 1 | 1 | 1 | C | * | GMT |
| Spare controller | blank | blank | blank | blank | blank | blank | blank | blank | blank | blank | blank | blank | 1 | 3 | 2 | 2 | 2 | 3 | 1 | 1 | 1 | 1 | 1 | 1 | C | blank | 01/1/1 |

Notes 1. Confirm MODEL NAME mentioned in the name plate mounted on the reefer unit.

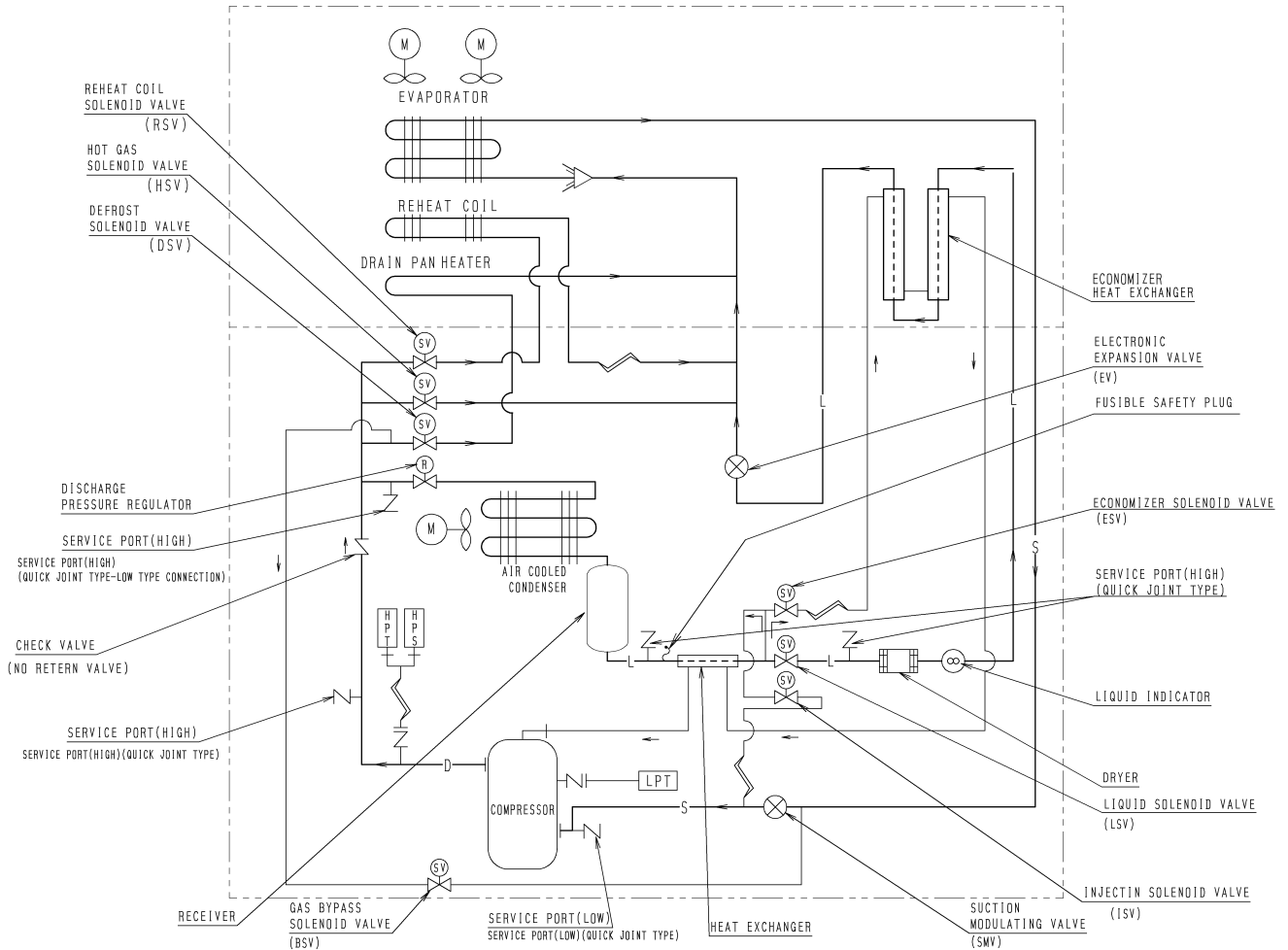
2. It is possible to input Container I.D. and Controller Time with both the panel operation and the personal computer installed DCCS's software.

3. When inputting the container I.D. by the panel operation, take care not to enter any of the following pairs of alphabet and numeral(i-1),(O-0),(S-5).

4. If you don't input container I.D., it is impossible to download the logger data with the personal computer.

5. If you don't input the controller set time, it starts from 2001.1.1, 0:00.

4. Refrigerant piping diagram



| | |
|-----|--------------------------|
| HPS | HIGH PRESSURE SWITCH |
| HPT | HIGH PRESSURE TRANSDUCER |
| LPT | LOW PRESSURE TRANSDUCER |

| | |
|-------|-------------------|
| — L — | LIQUID PIPE |
| — S — | SUCTION PIPE |
| — D — | DISCHARGE PIPE |
| — H — | FLANGE CONNECTION |
| + | FLARE CONNECTION |
| ~ | CAPILLARY TUBE |

<https://daikin-p.ru>

5. Schematic wiring diagram

CONTAINER REFRIGERATION UNIT WIRING DIAGRAM

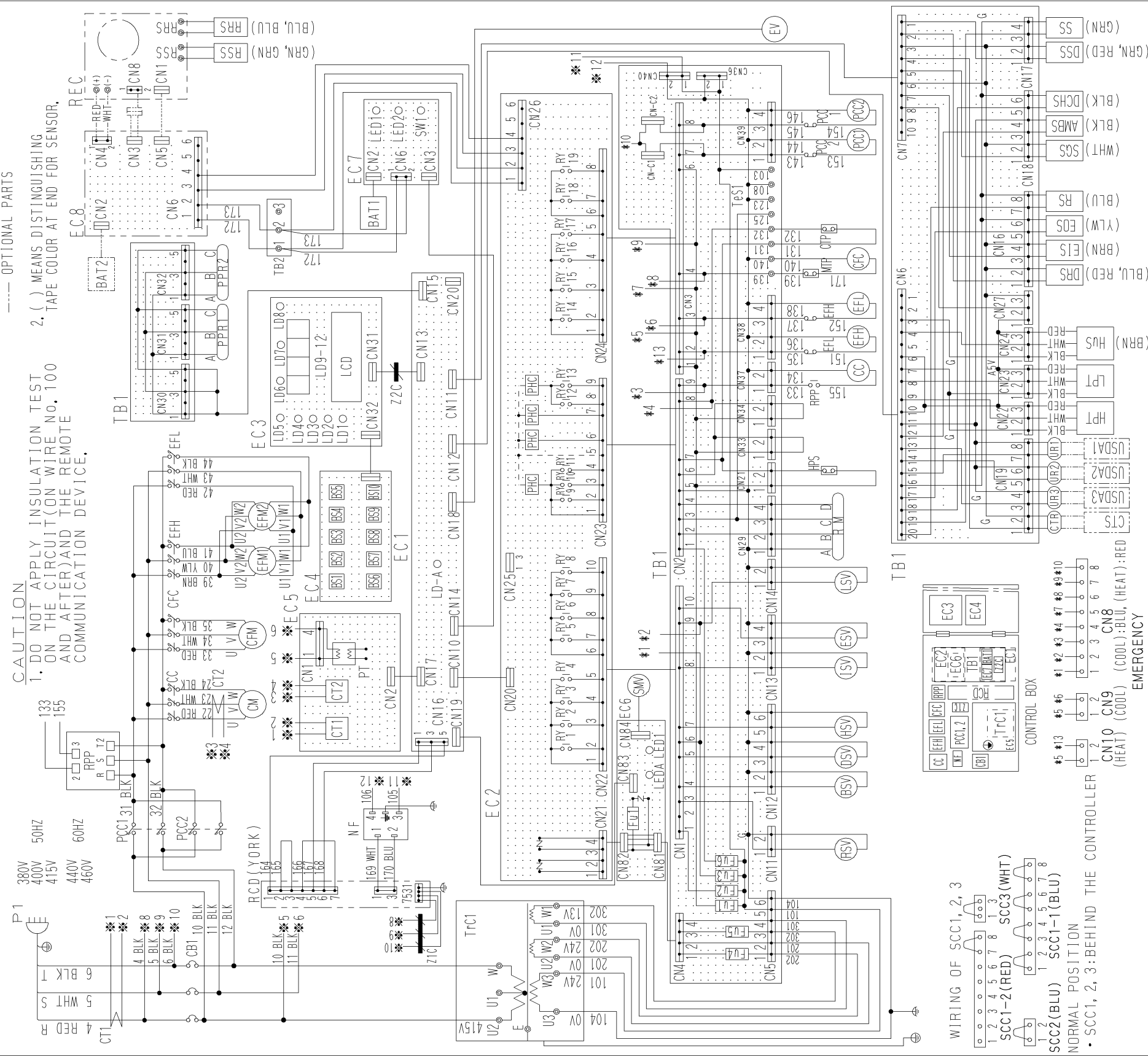
注意
1. 操作回路(線番号100以降)および、リモートコミュニケーションデバイスには絶縁試験を行わぬこと。

CAUTION

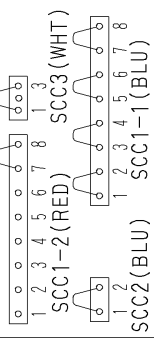
1. DO NOT APPLY INSULATION TEST ON THE CIRCUIT(ON WIRE NO. 100 AND AFTER)AND THE REMOTE COMMUNICATION DEVICE.

2. () MEANS DISTINGUISHING TAPE COLOR AT END FOR SENSOR.

NOTES
1. —●— SCREW TERMINAL
—□— CONNECTOR
—○— TAB TERMINAL
--- OPTIONAL PARTS



WIRING OF SCC1, 2, 3



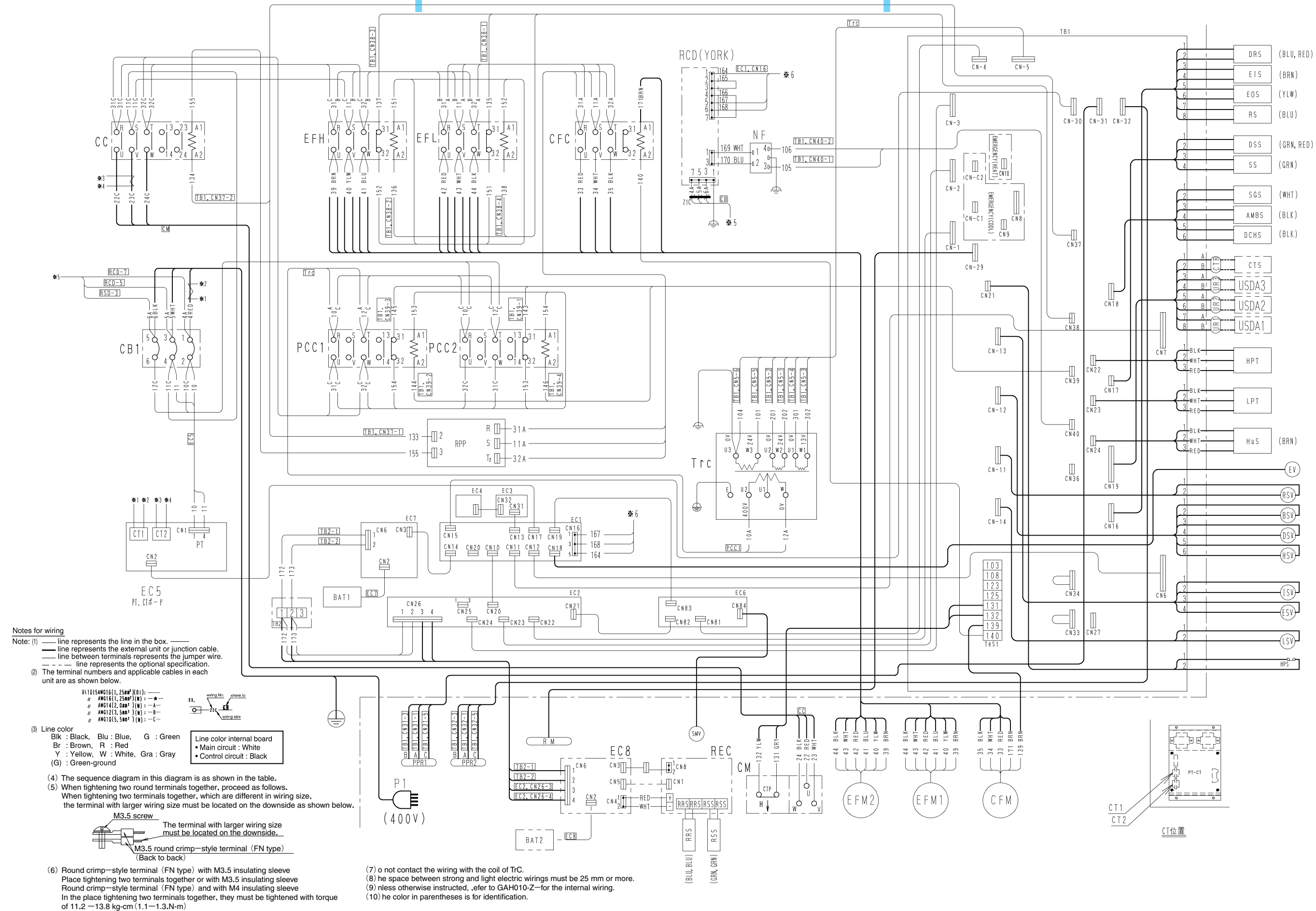
SCC2 (BLU) SCC1-1 (BLU)
NORMAL POSITION
• SCC1, 2, 3: BEHIND THE CONTROLLER
CN10 CN9 (HEAT): BLU, (HEAT): RED
CN8 (COOL): BLU, (HEAT): RED

EMERGENCY

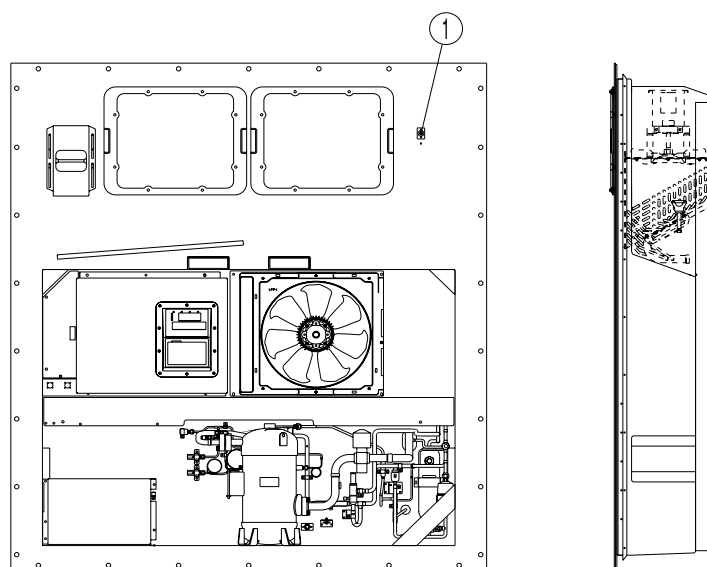
| | | | | | | | |
|--------|---------------------------------|---------|-------------------------------------|-----------|---------------------------------|---------|------------------------------------|
| AMBS | AMBIENT TEMP. SENSOR | EFH | HIGH SPEED EVAPORATOR FAN CONTACTOR | LD8 | LIGHT-EMITTING DIODE (DE-HUMID) | SCC2 | SHORT CIRCUIT CONNECTOR |
| BATT1 | BATTERY | EFL | LOW SPEED EVAPORATOR FAN CONTACTOR | LD9-12 | LIGHT-EMITTING DIODE | SCC3 | SHORT CIRCUIT CONNECTOR |
| BSV | GAS BYPASS SOLENOID VALVE | EFM1, 2 | EVAPORATOR FAN MOTOR | LEDA | SERVICE MONITOR-GREEN (EC6) | SGS | SUCTION GAS SENSOR |
| BS1-10 | PUSH BUTTON SWITCH | EIS | EVAPORATOR INLET SENSOR | LED1 | LIGHT-EMITTING DIODE (EC6) | SMV | SUCTION MODULATING VALVE |
| CB1 | CIRCUIT BREAKER (30A) | EOS | EVAPORATOR OUTLET SENSOR | LED1 | BATTERY INDICATOR (EC7) | SS | SUPPLY AIR SENSING |
| CC | COMPRESSOR CONTACTOR | ESV | ECONOMIZER SOLENOID VALVE | LED2 | BATTERY INDICATOR (EC7) | SWI | SWITCH (BATTERY LEVEL INDICATOR) |
| CFC | CONDENSER FAN CONTACTOR | EV | ELECTRONIC EXPANSION VALVE | LPT | LOW PRESSURE TRANSDUCER | TB1, 2 | TERMINAL BOARD |
| CFM | CONDENSER FAN MOTOR | Fu1-6 | FUSE (250V, 10A) (TB1) | LSV | LIQUID SOLENOID VALVE | TrC1 | CONTROL TRANSFORMER |
| CM | COMPRESSOR MOTOR | Fu1 | FUSE (250V, 5A) (EC6) | MTP | COND. MOTOR THERMAL PROTECTOR | UR1-3 | USDA RECEPTACLE |
| CT1, 2 | CURRENT TRANSFORMER | HPS | HIGH PRESSURE SWITCH | NF | NOISE FILTER | Z1C | FERRITE CORE |
| CTP | COMPRESSOR THERMAL PROTECTOR | HPT | HIGH PRESSURE TRANSDUCER | PI | POWER PLUG | Z2C | FERRITE CORE |
| CTR | CARGO TEMP. RECEPTACLE | HSV | HOT GAS SOLENOID VALVE | PCC1, 2 | PHASE CORRECTION CONTACTOR | | OPTIONAL SPECIFICATION |
| DCHS | COMPRESSOR DISCHARGE SENSOR | HUS | HUMIDITY SENSOR | PHC | PHOTO COUPLER | BAT2 | BATTERY |
| DSS | DATA RECORDER RETURN AIR SENSOR | ISV | INJECTION SOLENOID VALVE | PPR1, 2 | PC PORT RECEPTACLE | CTS | CARGO TEMP. SENSOR |
| DSS | DATA RECORDER SUPPLY AIR SENSOR | LCD | LIQUID CRYSTAL DISPLAY | PT | POTENTIAL TRANSFORMER | EC8 | POWER SUPPLY BOARD |
| DSV | DEFROST SOLENOID VALVE | LD-A | SERVICE MONITOR-GREEN (EC1) | RM | REMOTE MONITORING RECEPTACLE | RCD | REMOTE COMMUNICATION DEVICE (YORK) |
| EC1 | CPU BOARD (DECOS) | LD1 | LIGHT-EMITTING DIODE (R, H) | RPP | REVERSE PHASE PROTECTOR | REC | RECORDER |
| EC2 | I/O BOARD (DECOS) | LD2 | LIGHT-EMITTING DIODE (ALARM) | RSS | RECORDER RETURN AIR SENSOR | USDA1-3 | USDA SENSOR |
| EC3 | DISPLAY BOARD (DECOS) | LD3 | LIGHT-EMITTING DIODE (RETURN) | RS | RECORDER SUPPLY AIR SENSOR | | |
| EC4 | SHEET KEY (DECOS) | LD4 | LIGHT-EMITTING DIODE (SUPPLY) | RSS | RECORDER SUPPLY AIR SENSOR | | |
| EC5 | PRINTED CIRCUIT BOARD (PT, CT) | LD5 | LIGHT-EMITTING DIODE (COMP) | RSV | REHEAT COIL SOLENOID VALVE | | |
| EC6 | ADAPTER BOARD | LD6 | LIGHT-EMITTING DIODE (DEFROST) | RY1-19 | RELAY | | |
| EC7 | POWER SUPPLY BOARD | LD7 | LIGHT-EMITTING DIODE (IN RANGE) | SCC1-1, 2 | SHORT CIRCUIT CONNECTOR | | |

OPTIONAL ITEM NO. _____
EACH MODEL TO EQUIP FOLLOWING OPTIONS.
• LXE10E-A36 : NONE
• LXE10E-A36R: NO. 1 & 3 & 5
LXE10E-A36, A36R

6. Stereoscopic wiring diagram



1. 部件名称



① 温度计检测口

2. 传感器

2.1 低压传感器 (LPT)

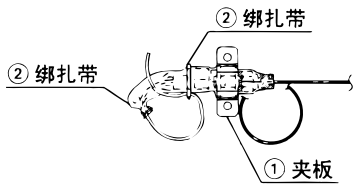
| 传感器型 | | NSK-BC010F |
|------|-----|------------|
| 颜色指示 | 传感器 | 黑 |
| | 接头 | 没有 |

低压传感器位于制冷剂回路中。

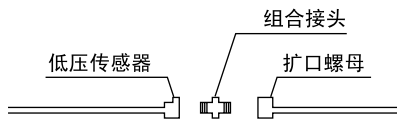
运行时的低压值显示在控制器的指示面板上。

(1) 传感器的更换

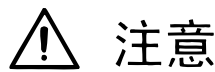
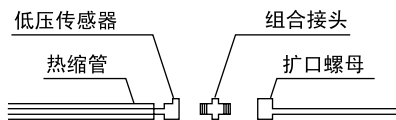
- ① 断开控制箱中的引线。
- ② 为了防止制冷剂流出，应在压缩机一侧将低压传感器管与仪表接头(带止回阀)③断开。
- ③ 卸下用来固定低压传感器的夹板上的两个螺丝，接着切断绑扎带。



- ④ 卸下热缩管，断开接头与低压传感器的连接。



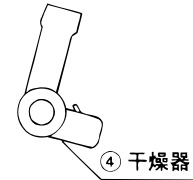
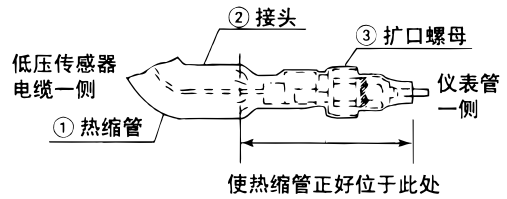
- ⑤ 将压力传感器电缆插入热缩管，接着将组合接头在新的低压传感器上。如果低压传感器上的涂层已经脱落，则应重新涂上透明漆。



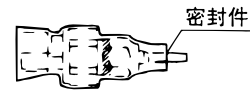
注意

请勿将低压传感器暴露在干燥器的热气中过长时间，否则会损坏传感器。

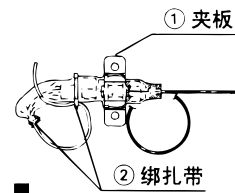
- ⑥ 将热缩管放在如下位置，接着用干燥器的热气使之收缩。



- ⑦ 将密封件放在热缩管与扩口螺母之间。(密封件：KE4898)



- ⑧ 用夹板固定住低压传感器，接着用绑扎带固定住电缆。应使电缆一侧的热缩管端头朝下以防止水进入管中。



固定热缩管时应使其端头朝下

2.2 高压传感器 (HPT)

| 传感器型 | | NSK-BC030F |
|------|-----|------------|
| 颜色指示 | 传感器 | 红、茶 |
| | 接头 | 没有 |

高压传感器位于制冷剂回路中。

运行时的高压值显示在控制器的指示面板上。

(1) 更换步骤

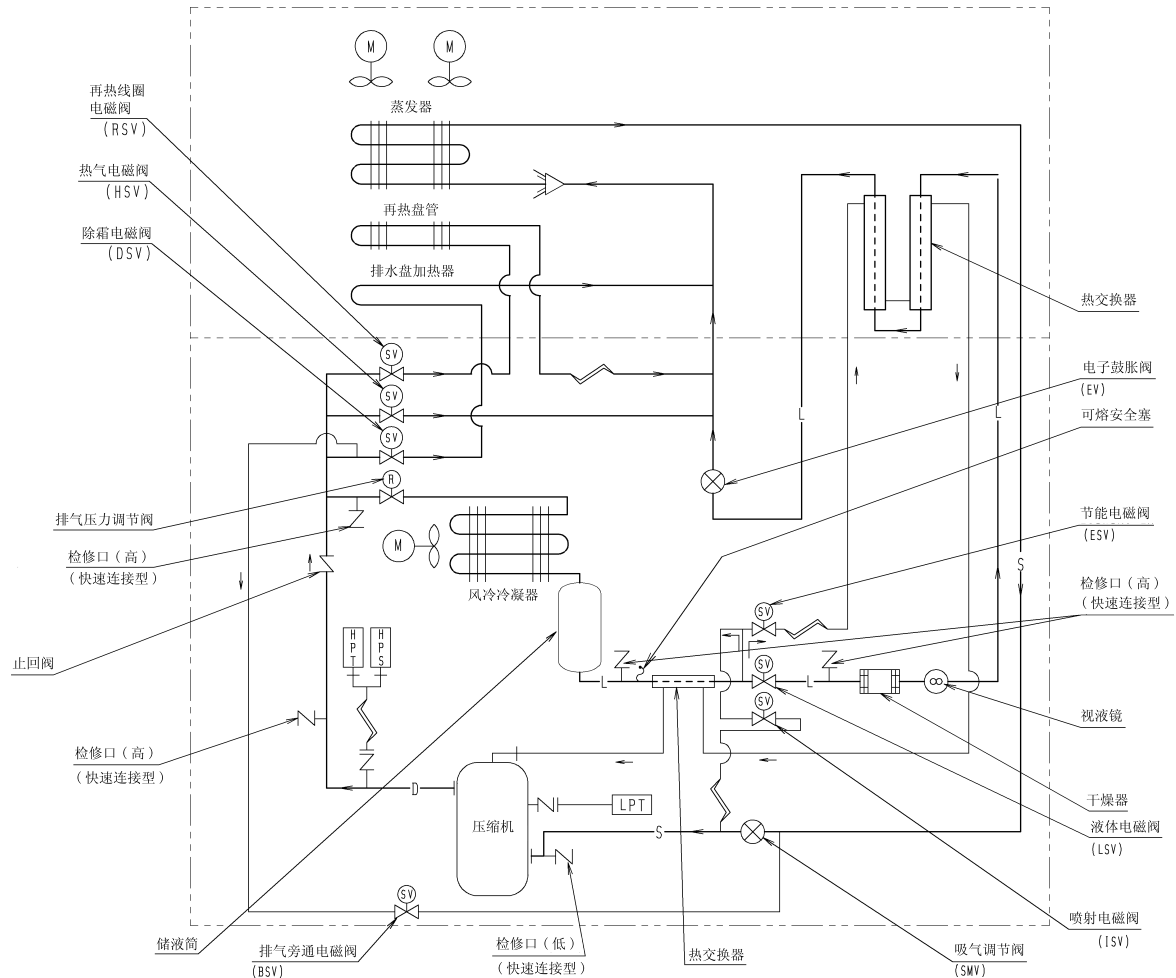
更换步骤与低压传感器相同。应确保固定位置及电缆连接正确。

3. 备用控制器的初始设定表

| 型号名称 注1 | ※7. 选项功能 设定模式 | | | | ※8. 基本功能模式 | | | | | | | | | | | ※9. 选项条件设定模式 | | | | | | | | | | ※10. 输入数据 | | |
|---------------|------------------|-----------------|-----------|----------|------------------|----------|----|------------------|------------------|------------|-------|-------------------|-------------------|------|------|--------------|------|------|------|------|------|------|------|------|-----|-----------|-----------|-----------------|
| | USdA | dHu | DECO3 | LOG INT | REC SEN | OC-SET | HP | dISP | COMP | REHEAT | FASEN | CHARTLS | USdA1/2 | H001 | H002 | H003 | H004 | H005 | H006 | D1-- | D2-- | D3-- | D-1- | D-2- | C/F | SET Id | SET TIME | |
| LXE10E | USdA 传感器 | dHu 除湿 控制 | 控制器 设定 | 记录 间隔 | 数据记 录器传 感器 | 输入 电源 | 马力 | 面板指 示灯 OFF | 压缩机 /卸载 设定 | 再热盘 管设定 | | D/H代 码报警 显示 | USdA传 感器 类型 | | | | | | | | | | | | | | 集装箱 箱号 | 控制器 设定 时间 |
| -A36 -A36A | OFF | OFF | D | 60 | ON | 单相 | 10 | OFF | 100 | ON | OFF | 2 | 3 | 2 | 2 | 2 | 2 | 3 | 3 | 1 | 1 | 1 | 1 | 1 | 1 | C | * | GMT |
| 备用控 制器 | 空白 | 空白 | 空白 | 空白 | 空白 | 空白 | 空白 | 空白 | 空白 | 空白 | 空白 | 1 | 3 | 2 | 2 | 2 | 3 | 3 | 3 | 1 | 1 | 1 | 1 | 1 | 1 | C | 空白 | 01/1/1 |

- 注
1. 确认制冷机组铭牌(安装在机组上)上的型号名称。
 2. 可通过面板操作和个人电脑安装的DCS软件输入集装箱号和控制器时间。
 3. 通过操作面板输入集装箱号时，注意不要输入下述字符：(i-1)、(O-0)、(s-5)。
 4. 如果不输入集装箱号，则无法用个人电脑下载记录的数据。
 5. 如果不输入控制器设定时间，则从2001年1月1日0:00开始。

4. 系统管路图

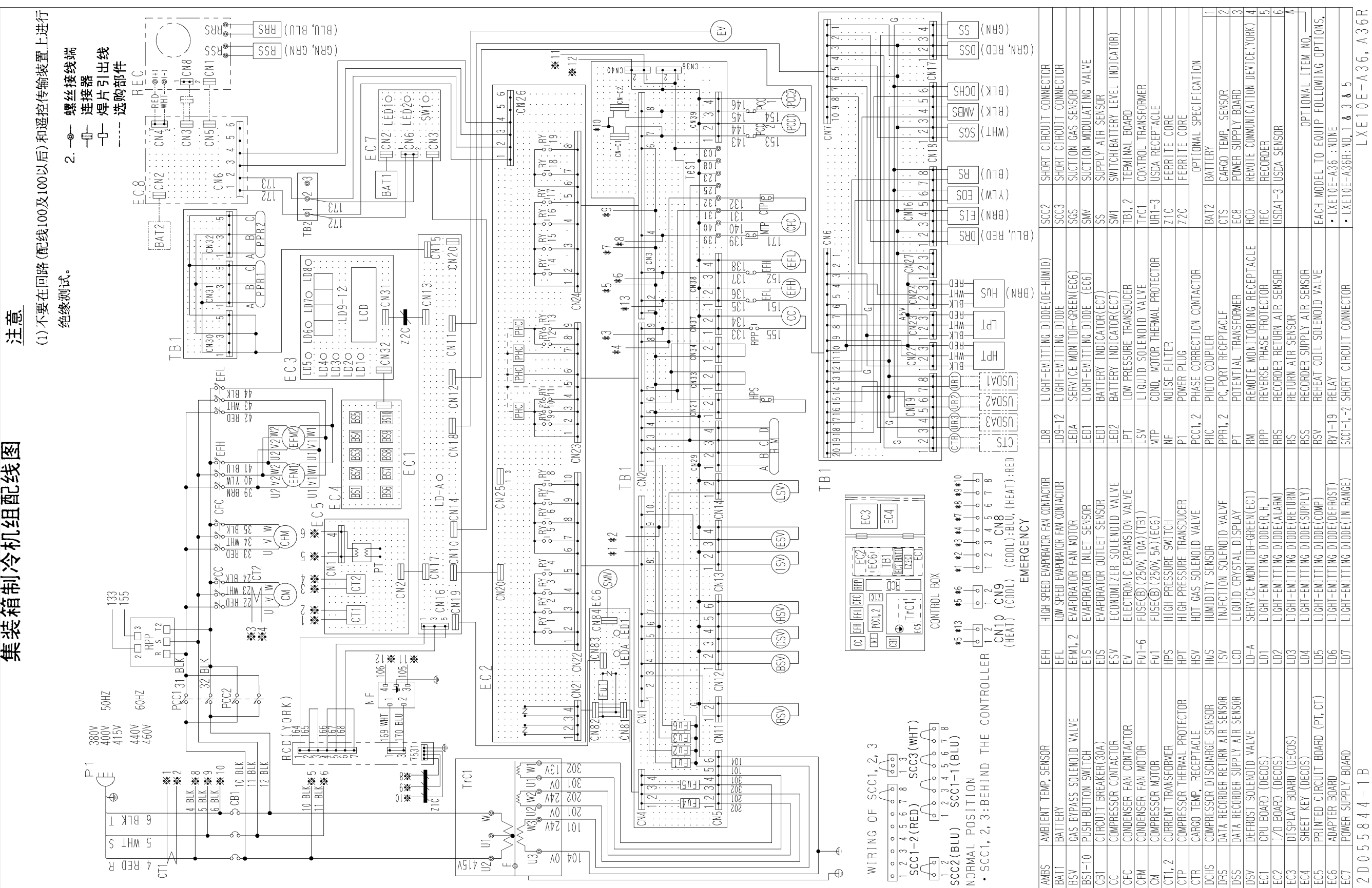


| | |
|-----|-------|
| HPS | 高压开关 |
| HPT | 高压传感器 |
| LPT | 低压传感器 |

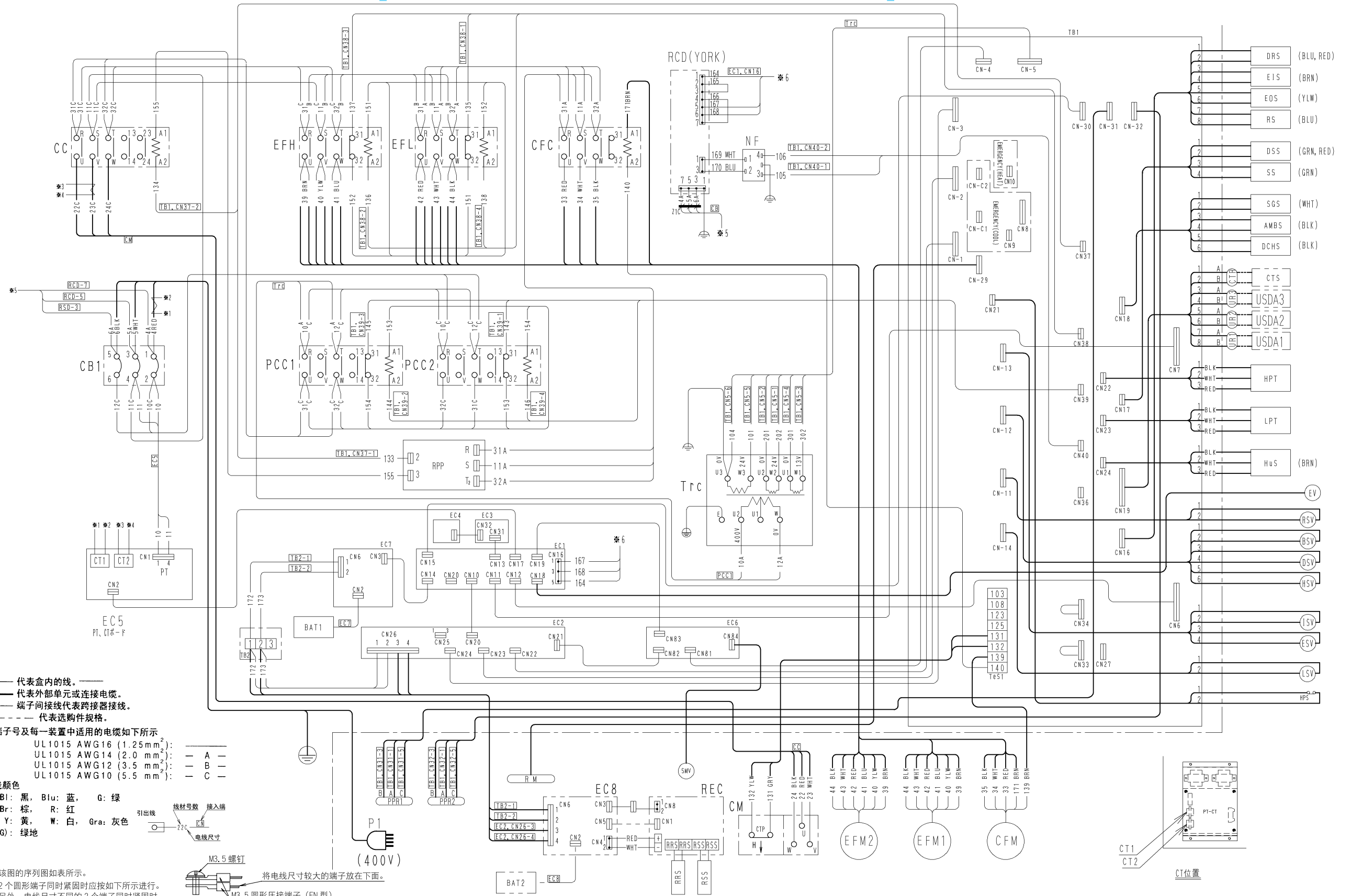
| | |
|-------|-------|
| — L — | 液体管 |
| — S — | 吸水管 |
| — D — | 排水管 |
| — H — | 法兰连接 |
| — + — | 扩口管连接 |
| — 〰 — | 毛细管 |

5. 配线示意图

集装箱制冷机组配线图



6. 配线立体图



配线注解

- 注(1) ——— 代表盒内的线。
 ——— 代表外部单元或连接电缆。
 ——— 端子间接线代表跨接器接线。
 - - - - 代表选配件规格。
- (2) 端子号及每一装置中适用的电缆如下所示
- | | |
|--------------------------------------|-------|
| UL1015 AWG16 (1.25mm ²): | — A — |
| UL1015 AWG14 (2.0mm ²): | — B — |
| UL1015 AWG12 (3.5mm ²): | — C — |
| UL1015 AWG10 (5.5mm ²): | — D — |
- (3) 线颜色
- | | | | | | |
|------|----|------|----|------|----|
| Bl: | 黑, | Blu: | 蓝, | G: | 绿 |
| Br: | 棕, | R: | 红 | | |
| Y: | 黄, | W: | 白, | Gra: | 灰色 |
| (G): | 绿地 | | | | |
- 引出线 线材号数 接入端
 电线尺寸
- M3.5 螺钉
 M3.5 圆形压接端子 (FN 型)
 (背对)
- 将电线尺寸较大的端子放在下面。

- (4) 该图的序列图如表所示。
- (5) 2个圆形端子同时紧固时应按如下所示进行。
 另外, 电线尺寸不同的2个端子同时紧固时, 应按如下所示将电线尺寸较大的端子放在下面。
- (6) 在2个M3.5带绝缘套圆形压接端子(FN型)同时紧固部位, 或1个M3.5带绝缘套圆形压接端子(FN型)和1个M4带绝缘套圆形压接端子(FN型)同时紧固部位, 应以扭矩11.2~13.8kg·cm(1.1~1.3N·m)进行紧固。
- (7) 配线不可接触TrC的线圈。
- (8) 强电配线与弱电配线之间应间隔25mm以上。
- (9) 无指示部位的装置内配线按GAH010-Z规格进行。
- (10) () 内的颜色代表识别色。

ORDERING INSTRUCTIONS

The parts list contains the parts of the DAIKIN Marine Type Container Refrigeration Units. Please read the following items before using the list.

1. When ordering the parts, be sure to specify the model No., the name of part and the type of part. When ordering the parts for which no parts NO. is shown in the PARTS NO. column, be sure to describe DWG.NO..
2. The list shows the parts only for replacement or repairing at the job site. Certain parts require a production lead time or are supplied as a set, so please contact with the nearest DAIKIN PARTS CENTRE.

3. Index symbols;

Meaning of the ranking A,B and C are as follows;

A. The most important spare parts

1. The parts whose malfunction cause fatal damage to the unit.
2. The parts with high risk of malfunction.
3. The parts that are worn out after an extended service period.

B. The important spare parts next to A, but the risk of malfunction is not so high.

C. The parts with low risk of malfunction, but recommendable to stock to cope with damage during handling of container box and long delivery time, etc.

The parts without A, B and C mark is the parts whose necessity is not so high under normal operation.

パーツリスト使用上の注意

このパーツリストはダイキン海上コンテナ冷凍装置の部品を集録してあります。パーツリスト使用にあたっては、必ず次の注意事項をご一読の上使用していただくようお願いいたします。

1. 部品のご注文の際は機種名、部品番号、および部品名、形式を必ずご指定ください。
なお、部品番号欄が空白になっている部品は、図面番号で指示願います。
2. 掲載部品の範囲は、あくまでも現地にて分解修理できるところまで記載しております。
一部部品につき納期のかかるものおよびセット単位となるものもありますので、お近くのダイキンパーツセンター又はサービスステーションに相談願います。

3. INDEXの説明

INDEXのA、B、Cの意味は下記の通りです。

A. 最も重要な部品

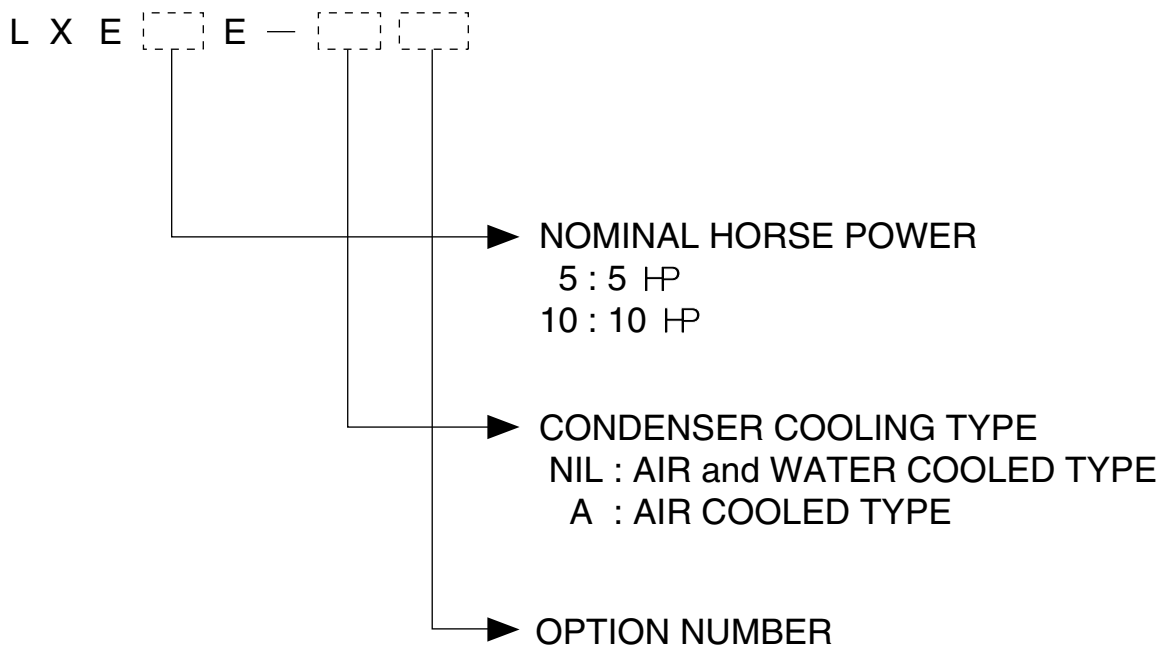
1. 故障した場合に最も重大な損害を与えると思われる部品
2. 故障の確率が高いと思われる部品
3. 長期の使用で摩耗して使用できなくなる部品

B. 故障発生の確率は高くはないが、Aについて重要な部品

C. 故障発生の確率は低いですが、コンテナボックスの運搬中の事故や、部品の納期が長期になるとと思われる等の理由で、在庫をお勧めする部品

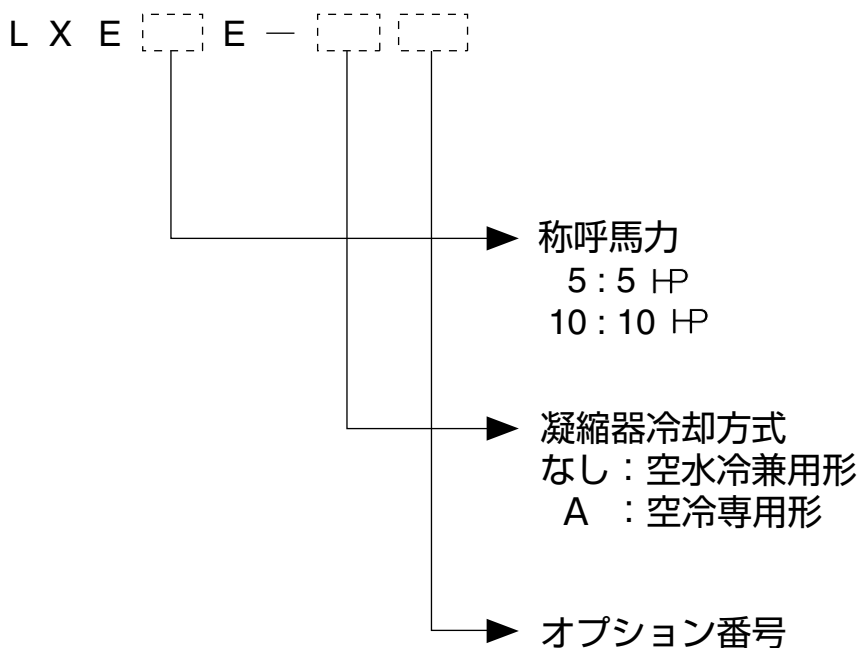
A,B,Cマークの無い部品は、通常の運転では必要性は高くない部品です。

Denomination of Model Name



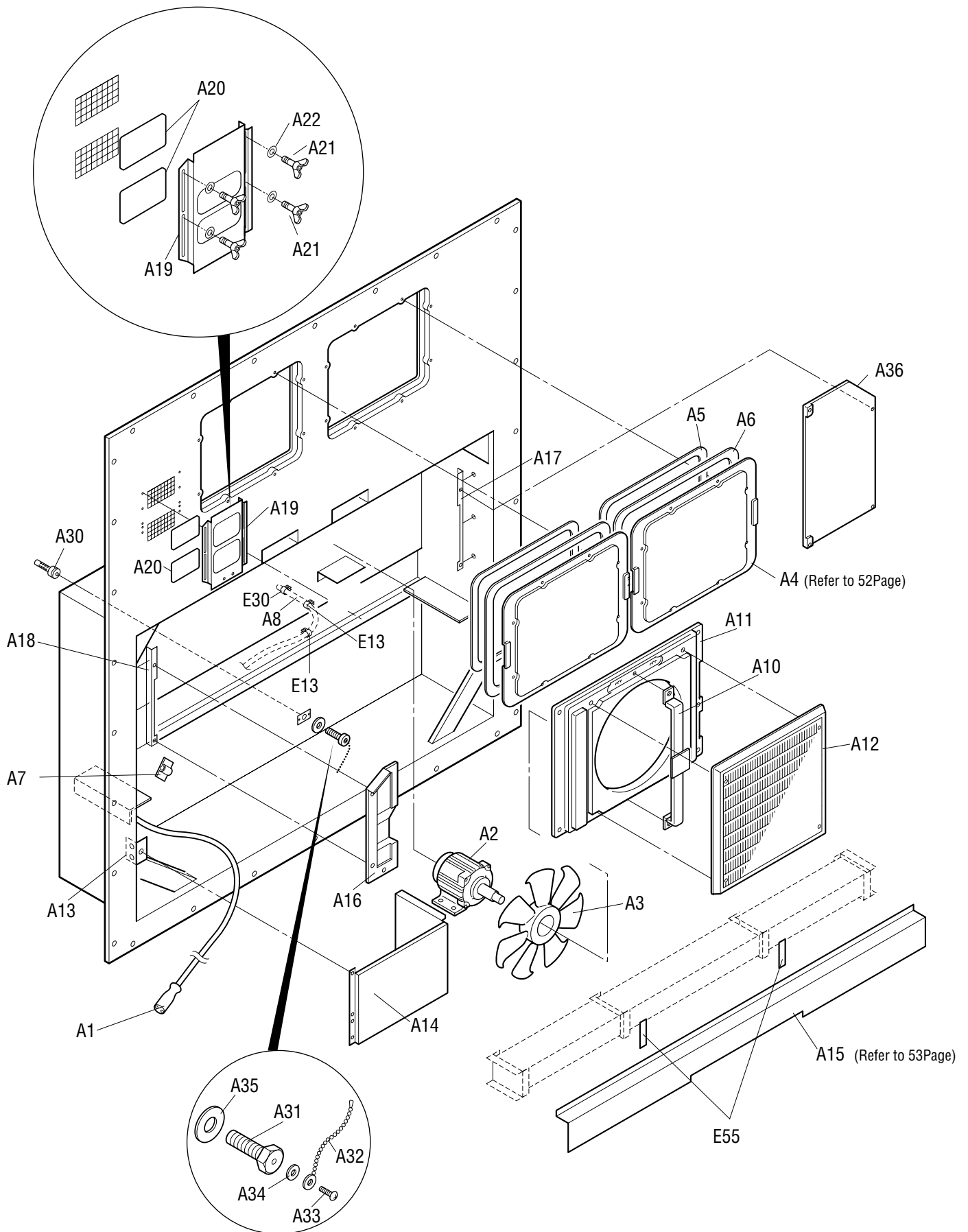
Note) "R" GIVEN AFTER OPTION NUMBER STANDS FOR "REVISION" AND IT IS GIVEN FOR THE UNIT WHICH IS SPECIALLY MODIFIED.

機種名について



注) オプション番号の後に R がつく機種は、改造機で、特別な仕様が加えられていることを意味します。

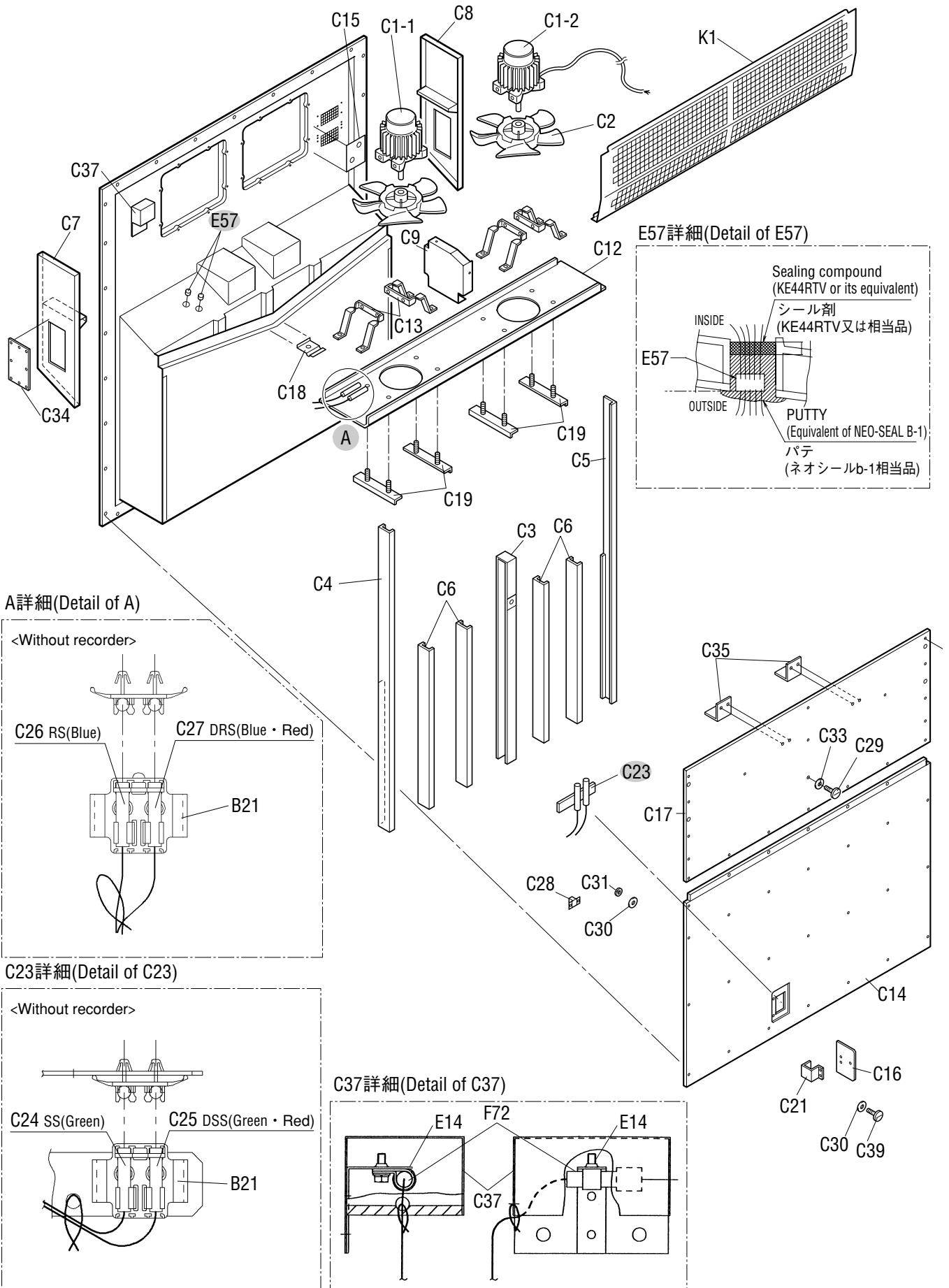
| | Page |
|---|------|
| A. Parts related with the unit(outside) | 20 |
| 庫外関連部品 | |
| B. Parts related with refrigerant piping(outside) | 22 |
| 庫外冷媒配管関連部品 | |
| C. Parts related with the unit(inside) | 26 |
| 庫内関連部品 | |
| D. Parts related with refrigerant piping(inside) | 28 |
| 庫内冷媒配管関連部品 | |
| E. Other parts(Pipe clamp, sealing and insulation material etc.) | 30 |
| その他部品 (配管固定具、シール材、防熱材等) | |
| F. Control box | 38 |
| コントローラボックス | |
| G. Parts related with name plate | 42 |
| 銘板関連 | |
| I. Parts related with option 1 – USDA | 44 |
| オプション関連部品 1 - USDA関連 | |
| J. Parts related with option 2 – MODEM | 46 |
| オプション関連部品 2 - モデム | |
| K. Parts related with option 3 – Others | 48 |
| オプション関連部品 3 - その他 | |
| 1. Indoor fan guard 庫内ファンガード | |
| 2. Evaporator coil 蒸発器コイル組立品 | |
| L. List of size for standard pipe clamp | 50 |
| 配管固定具サイズ表 | |
| 1. Resin clamp 樹脂バンド | |
| 2. Tube clamp 管止金 | |
| 3. Cushion rubber for pipe clamp 管止金用緩衝ゴム | |
| M. Note for ordering spare parts | 52 |
| 部品発注の際の注意事項 | |
| 1. Parts recommended to be ordered together with packing, gasket, sealing material and name plate | |
| 発注の際にパッキングやシール材、銘板等の同時発注を推奨する部品 | |
| 2. Order for motorized valve, solenoid valve and pressure regulating valve | |
| 電動弁・電磁弁・圧力調整弁の発注 | |
| 3. Order for pressure transducer 圧力センサーの発注 | |
| 4. Order for temperature sensor 温度センサーの発注 | |
| N. Measuring and adjusting tools | 57 |
| 測定調整用工具 | |
| 1. Tools for emergency operation 緊急運転用工具 | |
| 2. Personal computer cable (for DCCS) パソコンケーブル(DCCS用) | |



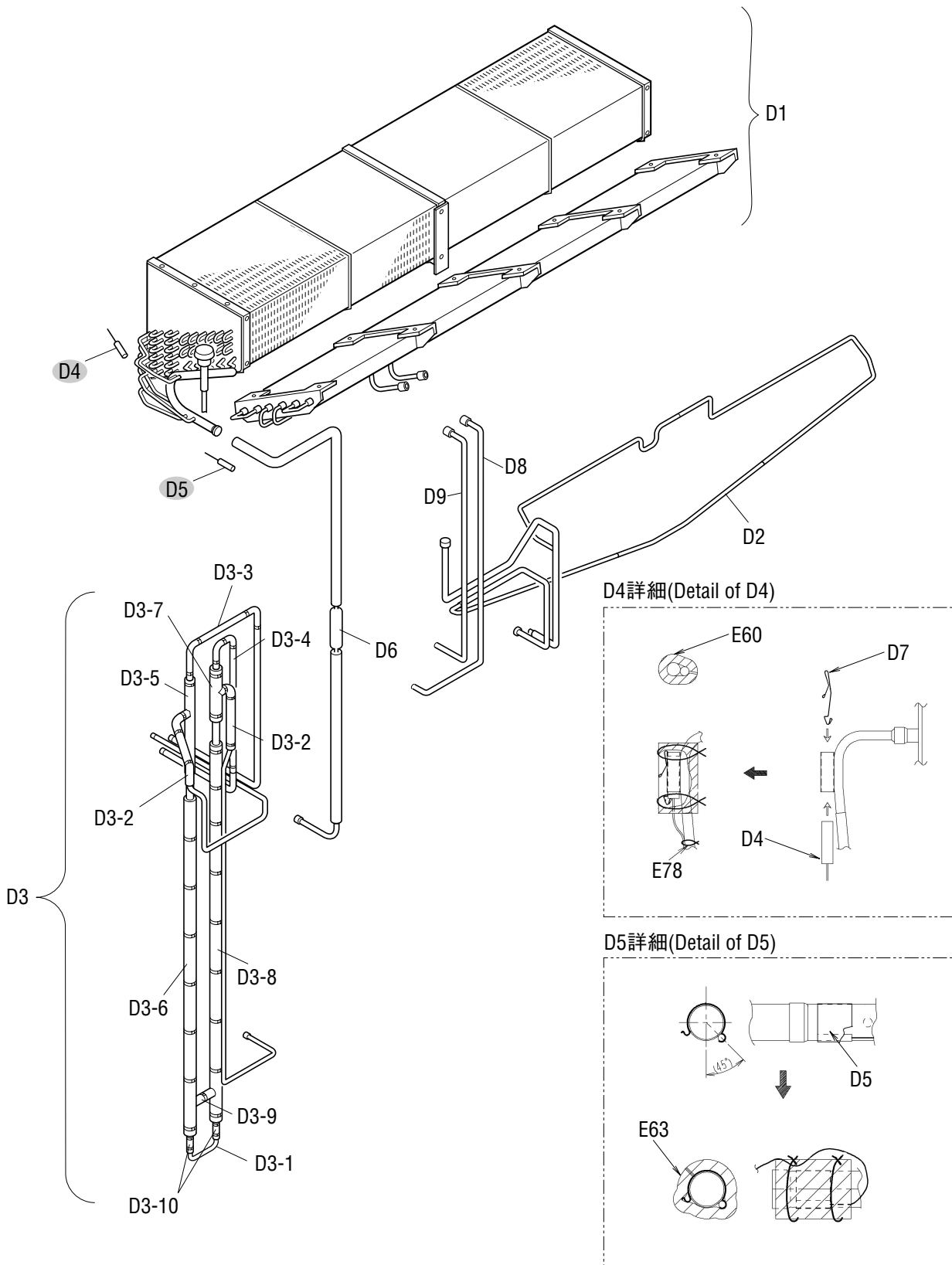
| NO. 符号 | INDEX | PARTS NO. 部品番号 | PARTS NAME | 部品名称 | DWG. NO. 図面番号 | TYPE SPECIFICATION 形式 仕様 | QTY/UNIT | | REMARKS 備考 |
|-----------|-------|-------------------|---------------------------------------|---------------------|------------------|-----------------------------|----------|------|-----------------|
| | | | | | | | LXE10E- | | |
| | | | | | | | A36 | A36A | |
| B1 | A | 1315426 | Compressor | 圧縮機 | JT224D-NYR | | 1 | 1 | |
| B2 | C | 1387173 | Air cooled condenser | 空冷凝縮器 | 2P089486-1 | CA-LXE10E1 | 1 | | |
| B2 | C | 1813696 | Air cooled condenser | 空冷凝縮器 | 2P195935-1 | CA-LXE10E3 | | 1 | |
| B3 | | | Discharge pipe ass'y | 吐出配管組立品 | 2P185924-1 | | 1 | 1 | |
| B3-1 | C | 1199167 | Strainer | ストレーナ | 4P051389-1 | | 1 | 1 | |
| B3-2 | C | 1178920 | Service valve ass'y | サービスバルブ組立品 | 3P048905-1 | | 1 | 1 | |
| B3-2-1 | B | 117592J | Service valve cap | キャップ | 3P048905-1-KU | | 1 | 1 | |
| B3-2-2 | B | | Service valve body | 本体 | 3P048905-1-KA | | 1 | 1 | |
| B3-2-3 | B | 1178850 | Valve core | バルブコア | 3P048905-1-KI | | 1 | 1 | |
| B3-3 | B | 0684220 | Check valve | 逆止弁 | 3SA27008-1 | | 1 | 1 | |
| B3-4 | A | 1241361 | Discharge pressure regulating valve | 吐出圧力調整弁 | 3P074558-1 | | 1 | 1 | Refer to Page54 |
| B3-5 | | 1266276 | Flange(convex) | 吐出管フランジ (凸) | 4P065933-1 | | 1 | 1 | |
| B3-6 | B | 292011 | Gauge joint(with check valve) | 逆止弁付ゲージ接手 | 2PF00177-1 | VCG2DA | 1 | 1 | |
| B3-7 | C | 1178920 | Service valve ass'y | サービスバルブ組立品 | 3P048905-1 | | 1 | 1 | |
| B3-7-1 | B | 117592J | Service valve cap | キャップ | 3P048905-1-KU | | 1 | 1 | |
| B3-7-2 | B | | Service valve body | 本体 | 3P048905-1-KA | | 1 | 1 | |
| B3-7-3 | B | 1178850 | Valve core | バルブコア | 3P048905-1-KI | | 1 | 1 | |
| B4 | | | Liquide receiver ass'y | 受液器配管組立品 | 2P185996-2 | | 1 | 1 | |
| B4-1 | | 1266283 | Liquid receiver | 受液器レシーバ | 4P081428-1 | φ 90×t1.8 | 1 | 1 | |
| B4-2 | | 013785J | Flare nut | フレアナット | 4SK23011-4 | FNS4 φ 12.7 | 1 | 1 | |
| B4-3 | A | 1498035 | Fusible plug | 可熔栓 | 3SA27103-1 | | 1 | 1 | |
| B4-4 | | 0299134 | Filter | フィルタ | 3SA26004-2 | | 1 | 1 | |
| B4-5 | B | 1787247 | Solenoid valve body | 電磁弁本体 | 3P198486-1 | VPV-803DQ52 | 1 | 1 | Refer to Page54 |
| B4-6 | A | 0955287 | Solenoid valve coil | 電磁弁コイル | 3P010453-1 | | 1 | 1 | Refer to Page54 |
| B4-7 | C | 1178920 | Service valve ass'y | サービスバルブ組立品 | 3P048905-1 | | 1 | 1 | |
| B4-7-1 | B | 117592J | Service valve cap | キャップ | 3P048905-1-KU | | 1 | 1 | |
| B4-7-2 | B | | Service valve body | 本体 | 3P048905-1-KA | | 1 | 1 | |
| B4-7-3 | B | 1178850 | Valve core | バルブコア | 3P048905-1-KI | | 1 | 1 | |
| B5 | | | Liquid pipe ass'y | 液配管組立品 | 3P162887-1 | | 1 | 1 | |
| B5-1 | | 013785J | Flare nut | フレアナット | 4SK23011-4 | FNS4 φ 12.7 | 1 | 1 | |
| B5-2 | A | 0622107 | Liquid moisture indicator | モイスタチャーインジケーター | 3PA51270-3 | SGN12S | 1 | 1 | |
| B6 | | | ESV pipe ass'y | E S V 配管組立品 | 3P186013-1 | | 1 | 1 | |
| B6-1 | C | 0085296 | Strainer | ストレーナ (100メッシュ) | R4697892 | | 1 | 1 | |
| B7a | | | Refrigerant pipe ass'y | 冷媒配管組立品 (リース) | 2P194270-1 | | 1 | 1 | |
| B7-1 | C | 1505748 | Filter | フィルタ | 3P011071-1 | | 1 | 1 | |
| B7-2 | C | 1490846 | Strainer | ストレーナ | 4P051958-1 | | 1 | 1 | |
| B7-3 | A | 125649J | Electronic expansion valve body ass'y | 電子膨張弁本体組立品 | 2SA50010-2-KU | | 1 | 1 | Refer to Page54 |
| B7-4 | B | 1787247 | Solenoid valve body | 電磁弁本体 | 3P198486-1 | VPV-803DQ52 | 4 | 4 | Refer to Page54 |
| B7-5 | A | 1266290 | Solenoid valve coil | 電磁弁コイル | 3P010453-2 | | 4 | 4 | Refer to Page54 |
| B7b | | | Refrigerant pipe ass'y | I S V ・ E S V 配管組立品 | 3P178353-3 | | 1 | 1 | |

• When ordering the parts whose No. are not shown in the PARTS NO. column, be sure to describe DWG. NO..

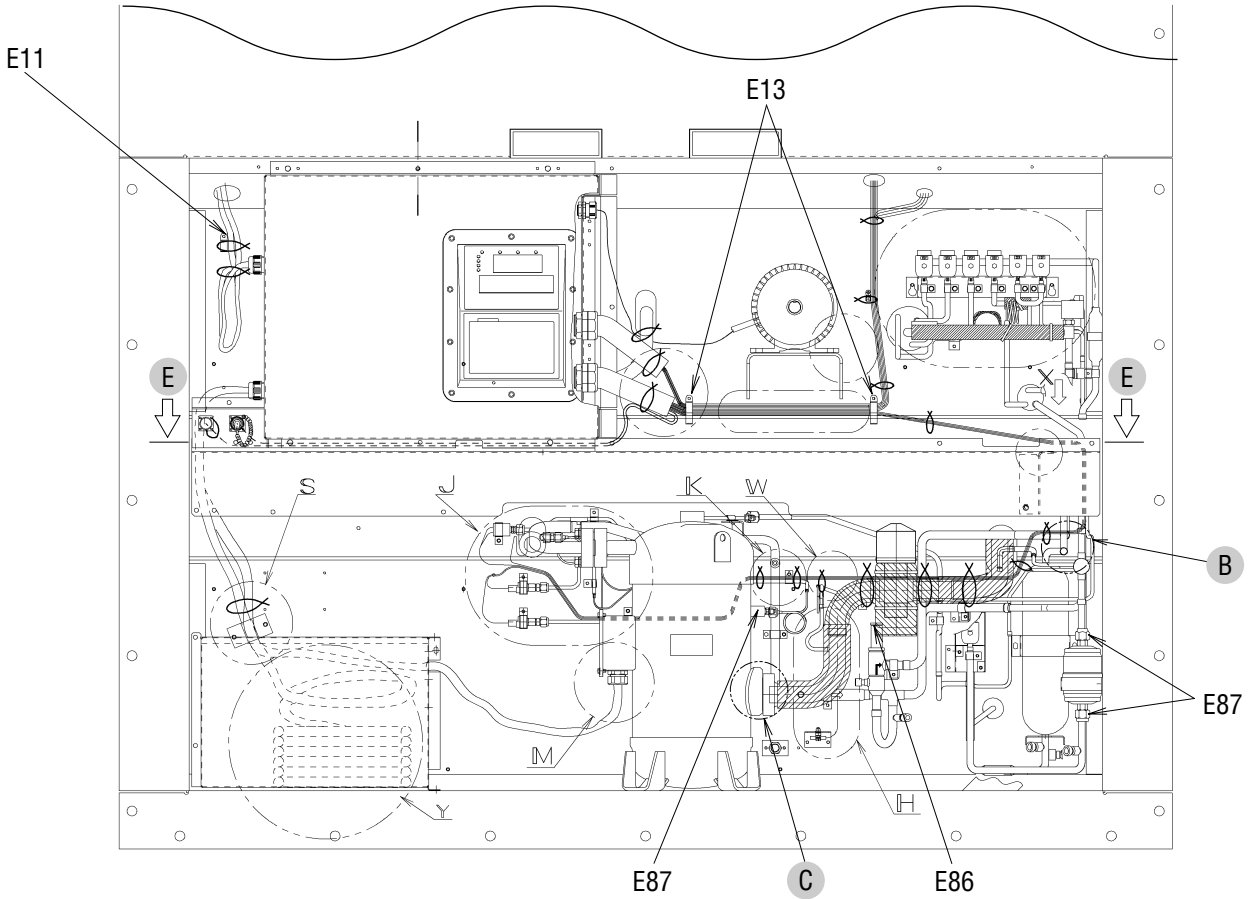
• 部品番号欄が空白になっている部品は、図面番号で、指示願います。



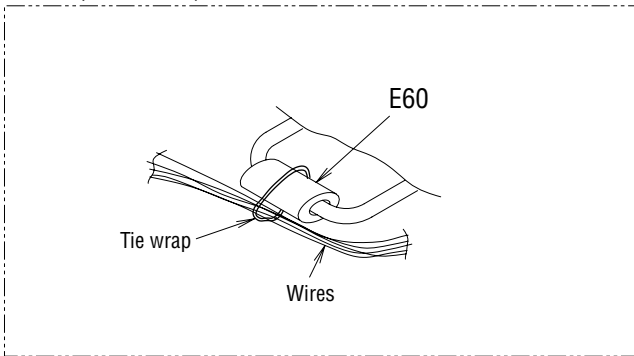
| NO. 符号 | INDEX | PARTS NO. 部品番号 | PARTS NAME | 部品名称 | DWG. NO. 図面番号 | TYPE SPECIFICATION 形式仕様 | QTY/UNIT | | REMARKS 備考 |
|-----------|-------|-------------------|-------------------------------|------------------------------|------------------|----------------------------|----------|------|-----------------|
| | | | | | | | LXE10E- | | |
| | | | | | | | A36 | A36A | |
| C1-1 | A | 0955340 | Three phase AC fan motor | 三相交流ファン電動機 | 3PA07524-5 | SPRK91A-42 | 1 | 1 | |
| C1-2 | A | 0955333 | Three phase AC fan motor | 三相交流ファン電動機 | 3PA07524-4 | | 1 | 1 | |
| C2 | B | 0777519 | Fan brade(inside) | プロペラファン (庫内側) | P32P11F | | 2 | 2 | |
| C3 | | 1686584 | Center stay | 中央ステー (裏板SUS 0.8t仕様) | 3P164565-1 | | 1 | 1 | |
| C4 | | 1686577 | Side stay | サイドステー (1) (裏板SUS t0.8仕様) | 3P164449-1 | | 1 | 1 | |
| C5 | | 1701159 | Side stay(2) | サイドステー (2) (裏板SUS t0.8仕様) | 3P164450-1 | | 1 | 1 | |
| C6 | | 1686591 | Rear stay | 背面ステー (型材・裏板SUS t0.8仕様) | 3P165208-1 | | 4 | 4 | |
| C7 | | 1700930 | Casing frame, evaporator | 蒸発器枠 (1) ファンカバーSUS t0.8仕様 | 2P164446-1 | | 1 | 1 | |
| C8 | | 1700947 | Casing frame, evaporator | 蒸発器枠 (2) ファンカバー t0.8SUS仕様 | 2P164446-2 | | 1 | 1 | |
| C9 | | 1726569 | Fan guide fixing plate | ファンガイド固定板 (ファンカバーSUS t0.8仕様) | 3P165414-1 | | 1 | 1 | |
| C12 | | 1667088 | Fan guide ass'y | ファンガイド組立品 (レヒート・樹脂製サーミスタ) | 3P166890-3 | | 1 | 1 | |
| C13 | | 1667172 | Set plate, fan motor | 電動機取付脚 | 3P171676-1 | | 4 | 4 | |
| C14 | | 1622434 | Rear plate(lower) | 裏板 (下) (裏板SUS t0.8仕様) | 2P163839-2 | | 1 | 1 | |
| C15 | | 1496990 | Shield plate | 遮蔽板 | 4P123922-1 | | 1 | 1 | |
| C16 | | 1686926 | Supply sensor inspection door | サプライセンサ点検蓋 (裏板SUS t0.8仕様) | 4P166062-1 | | 1 | 1 | |
| C17 | | 1686205 | Rear plate(upper) | 裏板 (上) (裏板SUS t0.8仕様) | 2P163840-2 | | 1 | 1 | |
| C18 | | 1266485 | Partition plate(drain outlet) | 仕切板 (ドレン出口) | 4P011317-1 | | 1 | 1 | |
| C19 | | 1135978 | Reinforce plate, fan motor | 補強板 (ファン電動機台) | 4P011316-1 | | 4 | 4 | |
| C21 | | 1135125 | Hinge | 蝶番 | 3P043374-1 | | 1 | 1 | |
| C23 | | 1605466 | Mounting plate | サプライセンサ取付板 | 4P144433-1 | | 1 | 1 | |
| C24 | A | 1713330 | Sensor(SS) | センサー (SS) | 3PA61769-16 | | 1 | 1 | Refer to Page56 |
| C25 | A | 1713347 | Sensor(DSS) | センサー (DSS) | 3PA61769-17 | | 1 | 1 | Refer to Page56 |
| C26 | A | 1713354 | Sensor(RS) | センサー (RS) | 3PA61769-18 | | 1 | 1 | Refer to Page56 |
| C27 | A | 1713361 | Sensor(DRS) | センサー (DRS) | 3PA61769-19 | | 1 | 1 | Refer to Page56 |
| C28 | | 860015 | Universal nut | 自在ナット | R4713188-1 | | 1 | 1 | |
| C29 | | 1685170 | Pan head screw | ナベ小ネジM5SUS (±穴付) | 4P167690-1 | | 20 | 20 | |
| C30 | | 860005 | Washer, speed bolt | スピードボルト用座金 | R4713334 | | 1 | 1 | |
| C31 | | 840002 | Drop out prevention washer | 脱落防止座金 | R4718607-6 | | 2 | 2 | |
| C33 | | 1685187 | Washer | 木材座金M5用 (φ20) | 4P170127-5 | | 21 | 21 | |
| C34 | | 1380848 | Cover | カバー | 3P090387-1 | | 1 | 1 | |
| C35 | | 1496976 | Rear plate(middle) fixture | 裏板 (中) 固定具 | 4P105391-1 | | 2 | 2 | |
| C37 | | 1667280 | RH sensor mounting plate | RHセンサ固定板 | 4P164832-1 | | 1 | 1 | |
| C39 | | 860011 | Speed bolt | スピードボルト (M6) | 4P048680-1 | | 1 | 1 | |
| B21 | | 1605244 | Therminal fixing plate, Resin | サーミスタ固定具 (樹脂) | 3P124175-1 | | 3 | 3 | |
| E14 | | 0508162 | Resin clamp | 樹脂バンド | NE41015-3 | | 1 | 1 | |
| E57 | | 1267091 | Wiring protection bush | 配線保護ブッシュ | 4P023920-1 | BLACK | 2 | 2 | |
| F72 | A | 1780284 | Humidy sensor(HUS) | 湿度センサー | 3PA61738-3 | RHU-600A-D2 | 1 | 1 | |
| K1 | | 1686212 | Inside fan cover | 庫内ファンカバー (裏板SUS t0.8仕様) | 2P165209-2 | | 1 | 1 | |
| | | | | | | | | | |
| | | | | | | | | | |



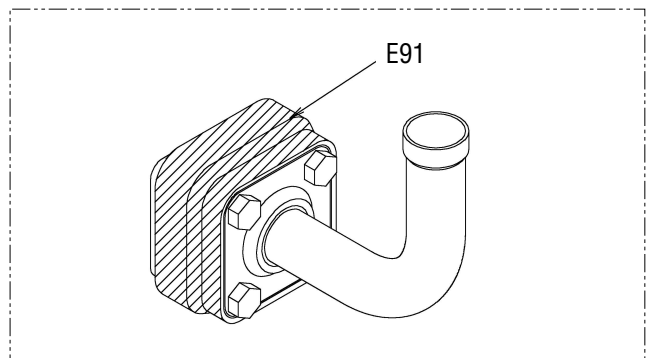
Other parts(Pipe clamp, sealing and insulation material etc.)
 その他部品 (配管固定具、シール材、防熱材等)



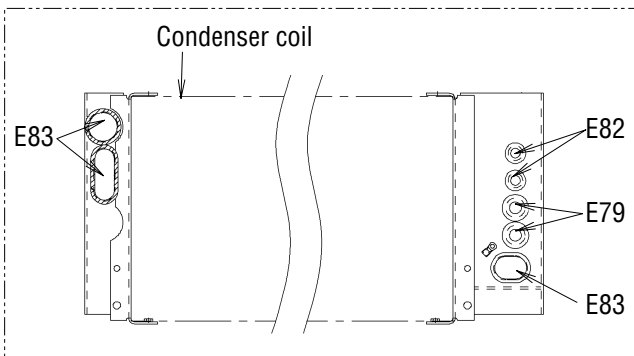
B詳細(Detail of B)



C詳細(Detail of C)



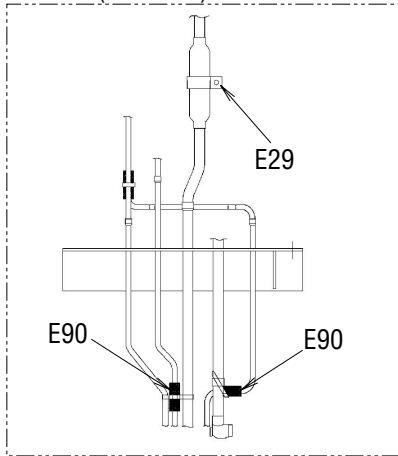
E断面(Section of E)



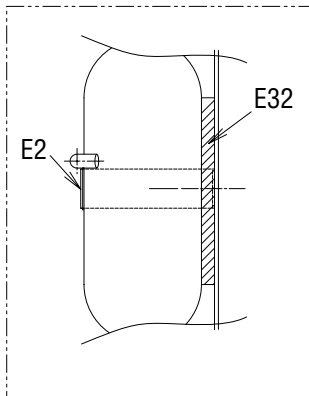
※(L = XX mm) indicates the length of cushion rubber E35. (Cut to suit pipe size.)

※(L = XX mm)と表記のものは、緩衝ゴム(E35)の長さです。(配管のサイズに合わせて切って使用ください。)

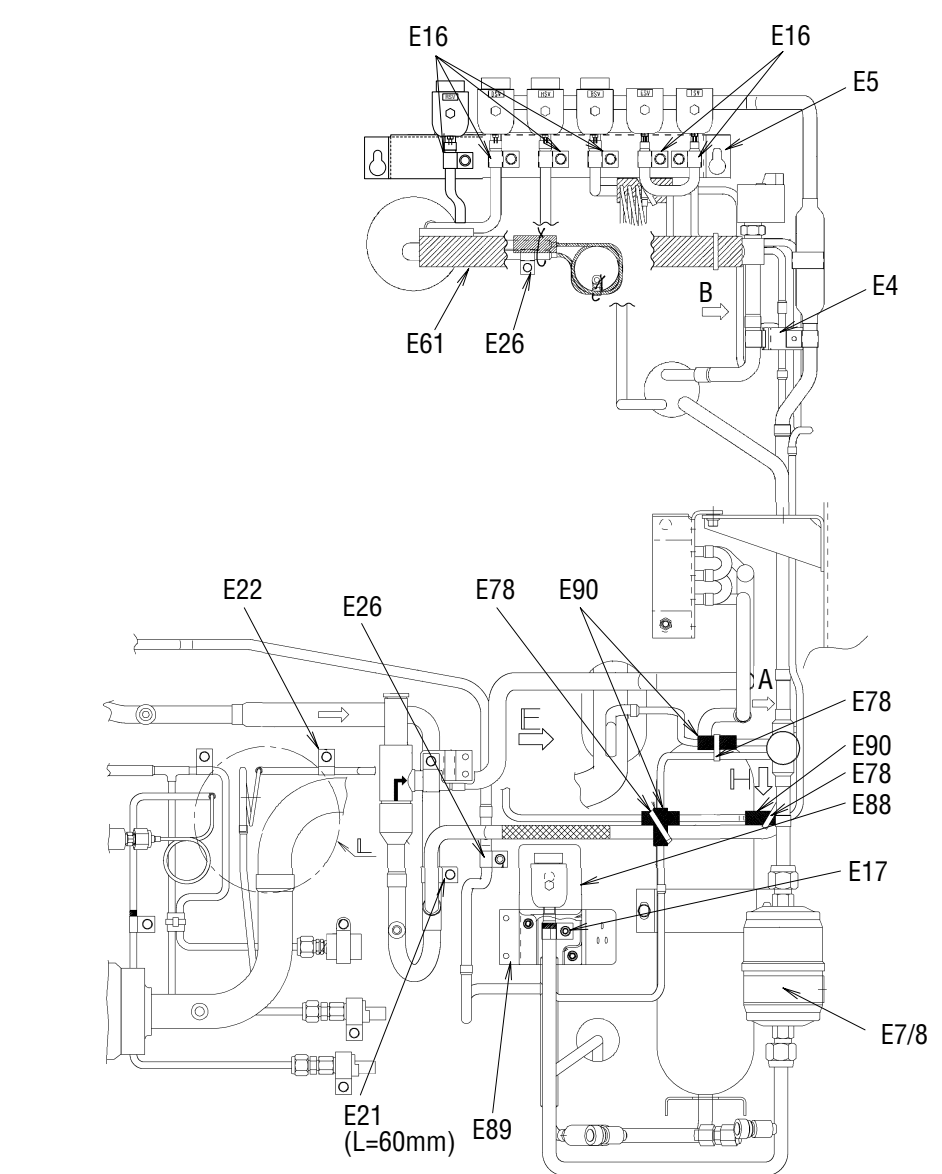
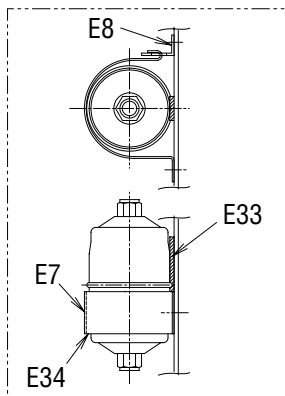
矢視A/B(View A/B)



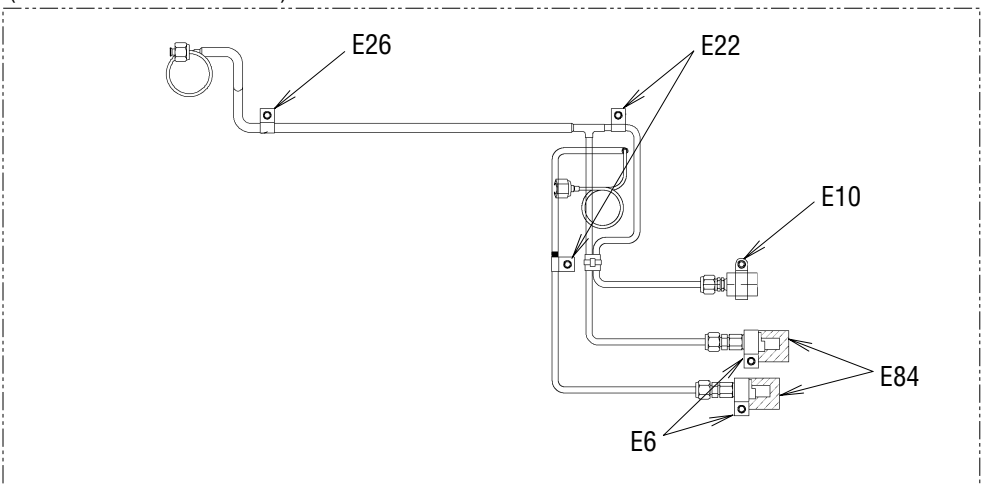
受液機器部詳細
 (Receive part detail)



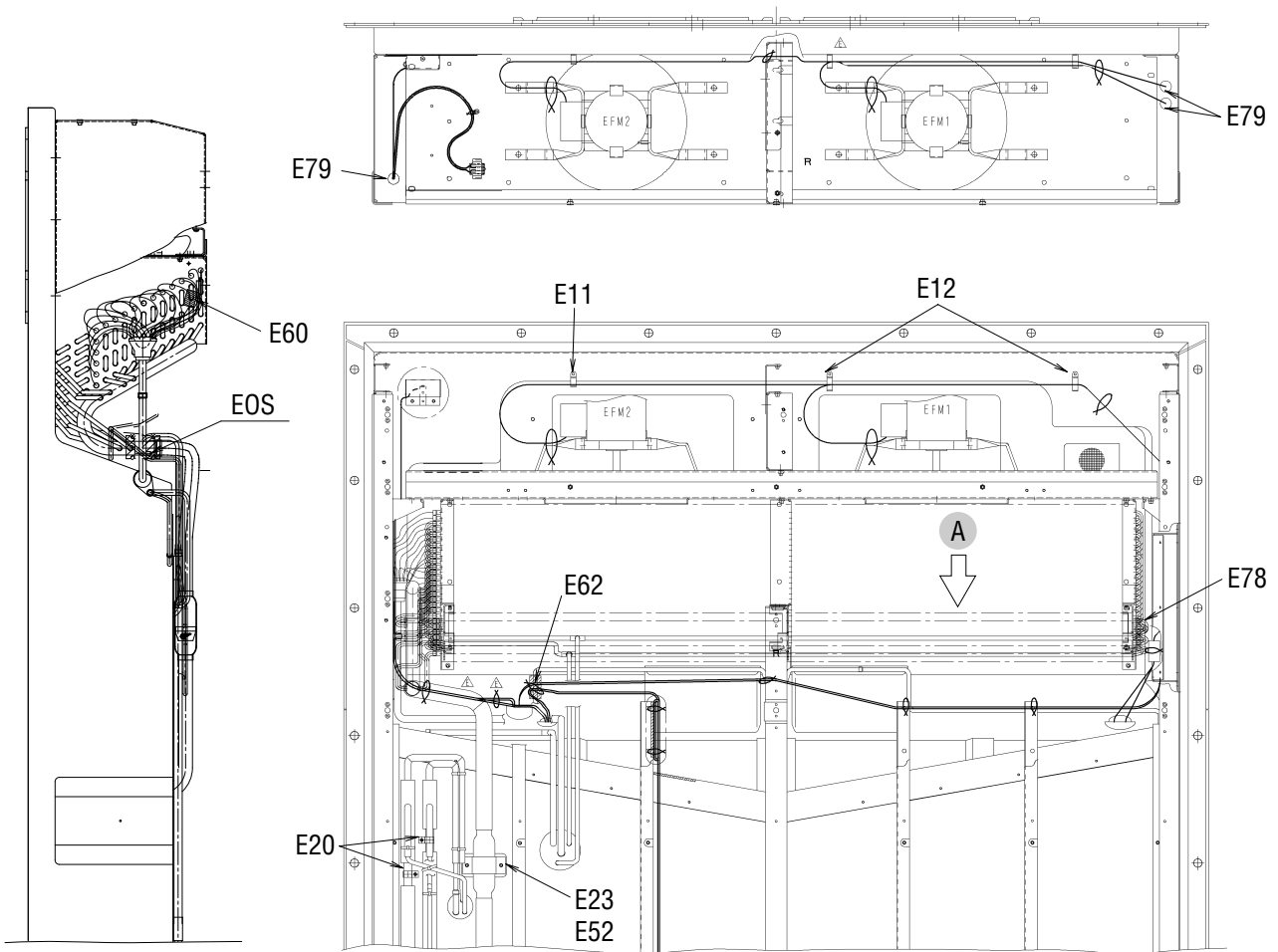
ドライヤー部詳細
 (Dryer part detail)



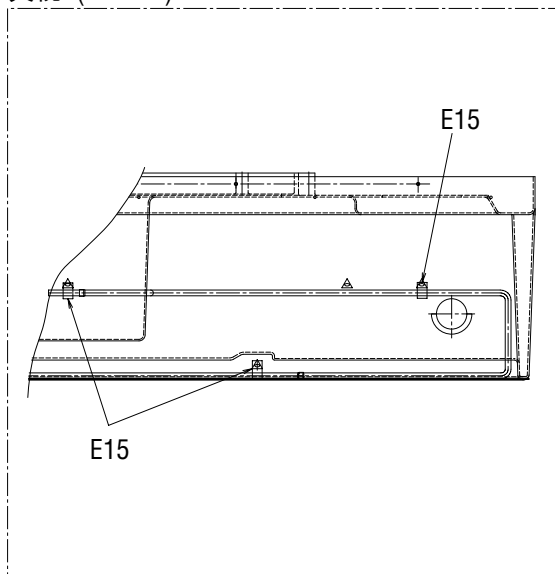
圧力センサー配管部詳細
 (Pressure transducer detail)

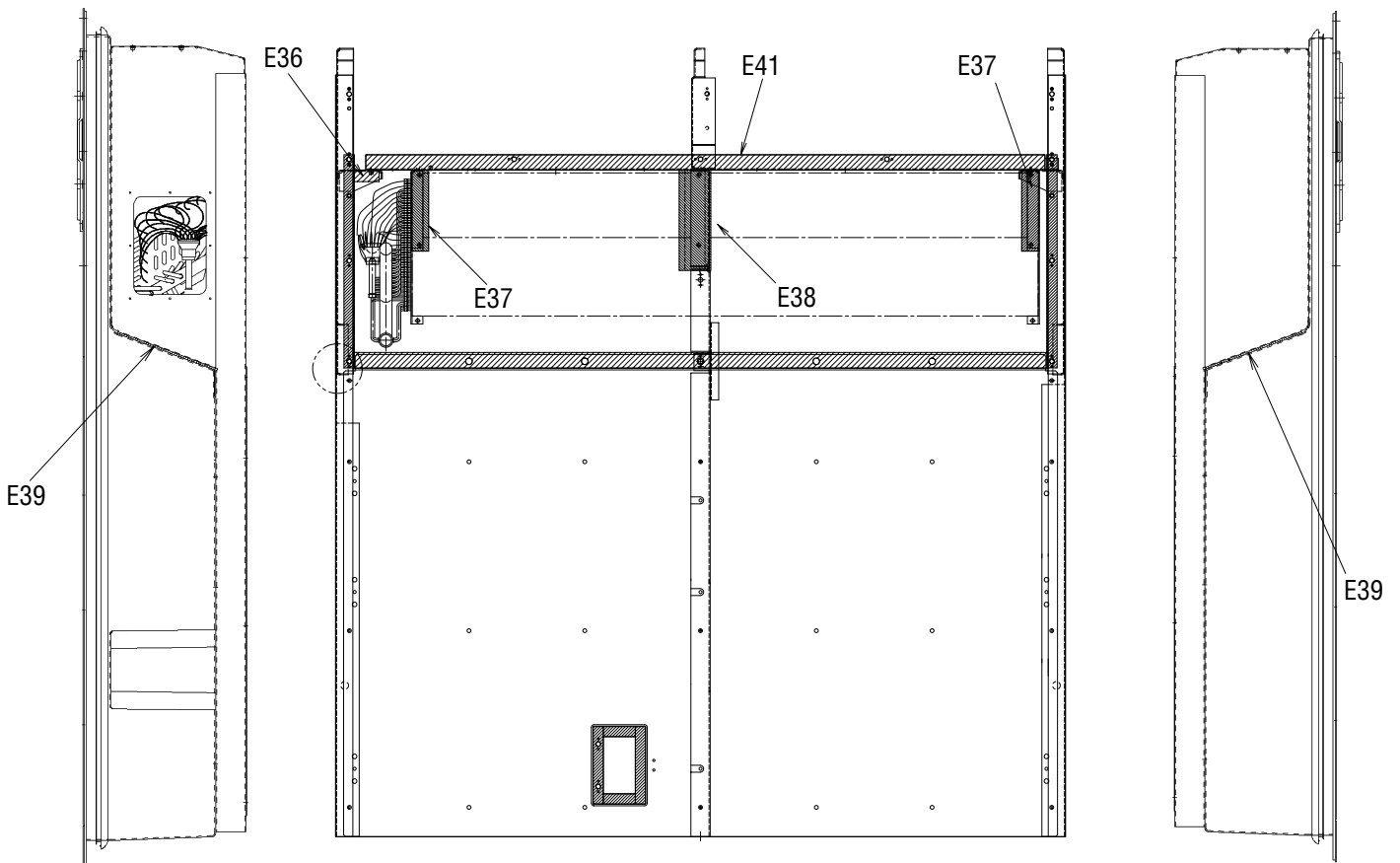
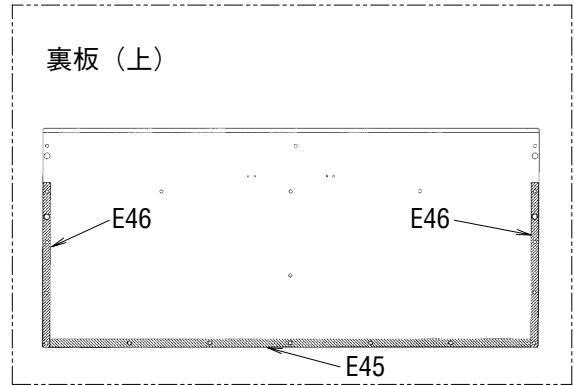
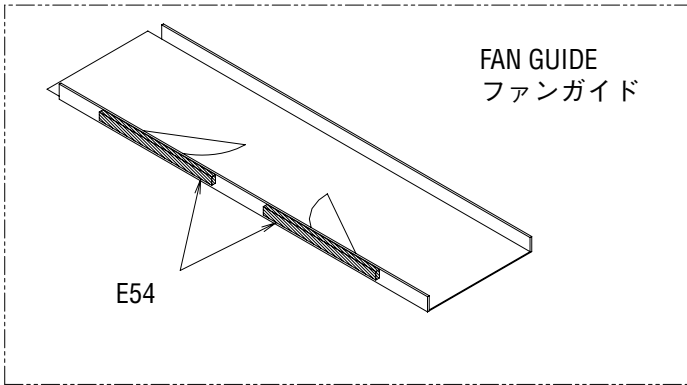


Other parts (Pipe clamp, sealing and insulation material etc.)
その他部品 (配管固定具、シール材、防熱材等)

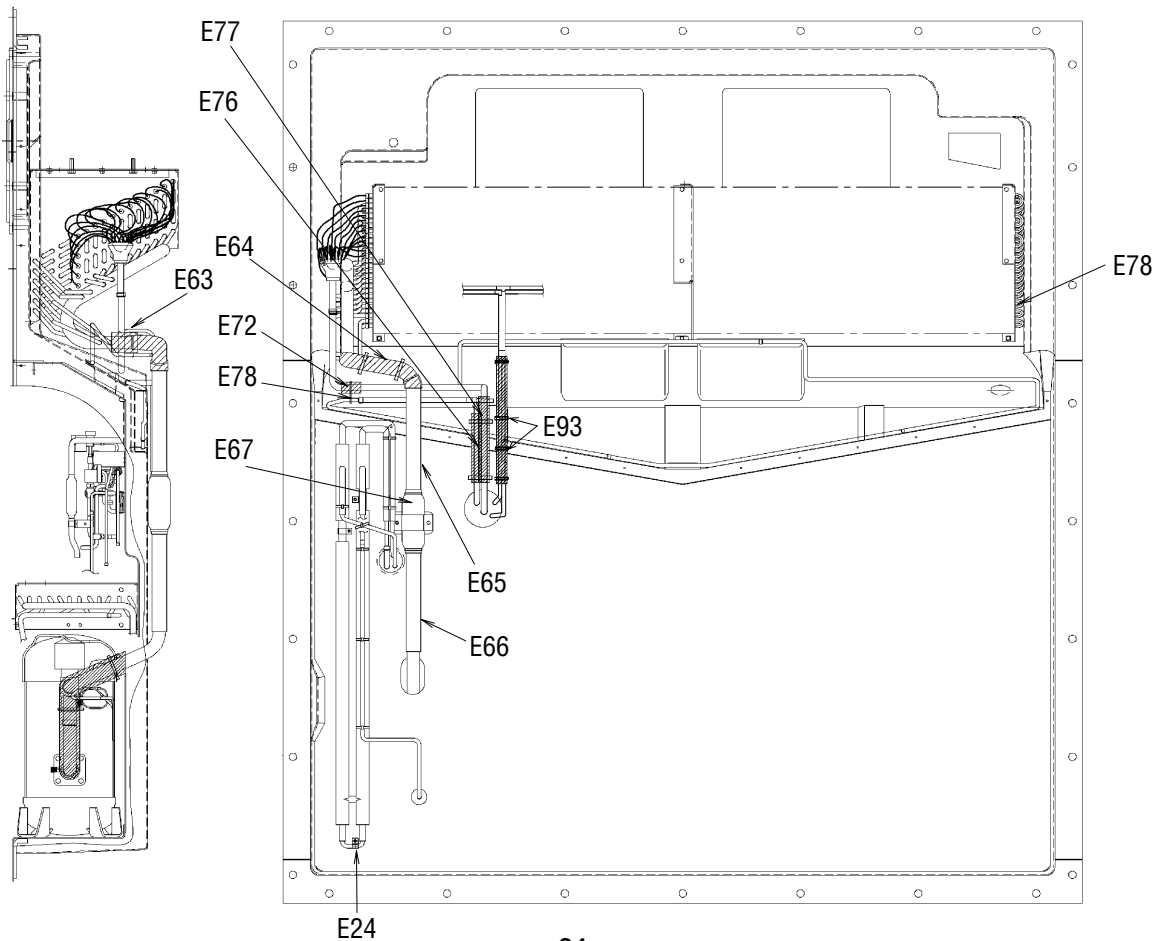
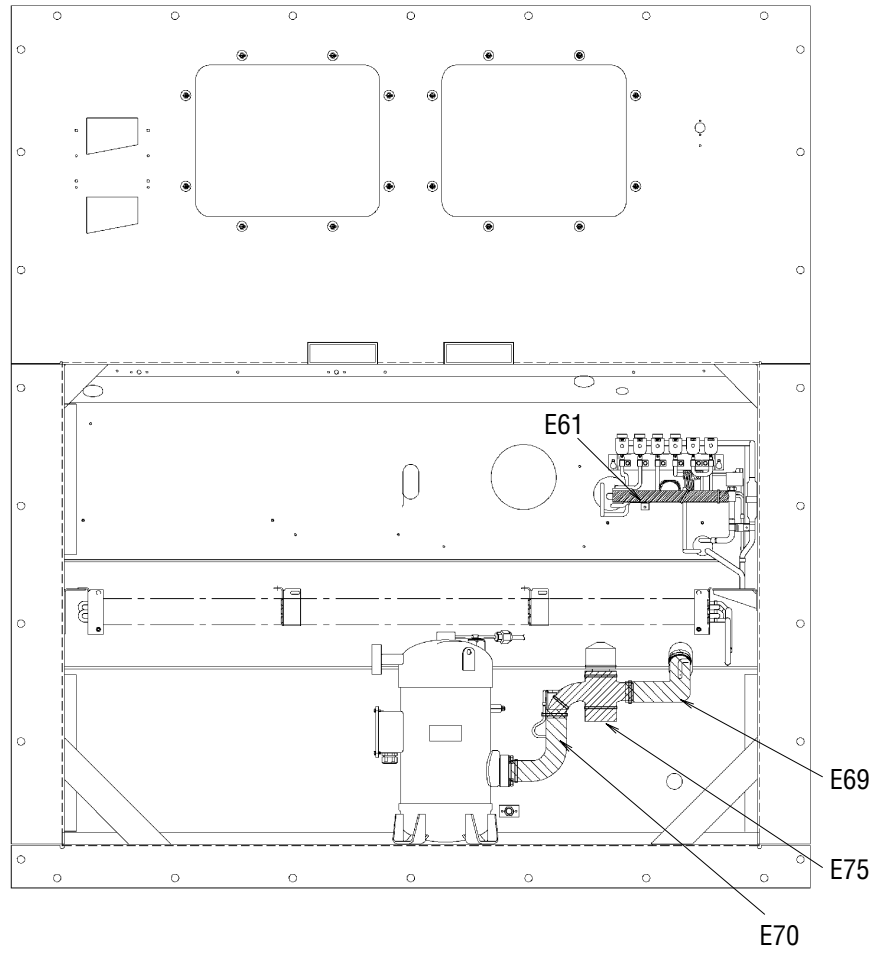


矢視A (VIEW A)





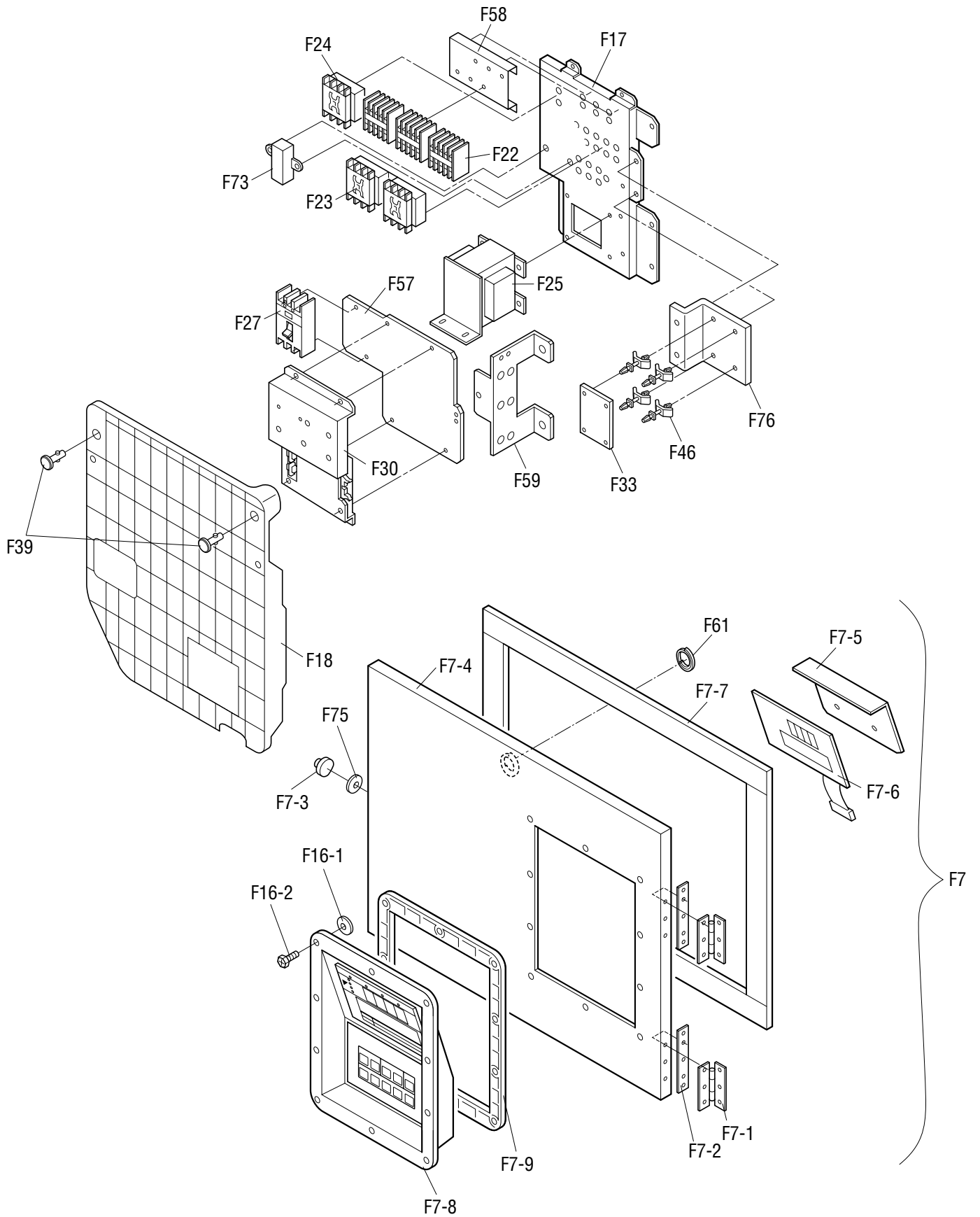
Other parts(Pipe clamp, sealing and insulation material etc.)
その他部品 (配管固定具、シール材、防熱材等)

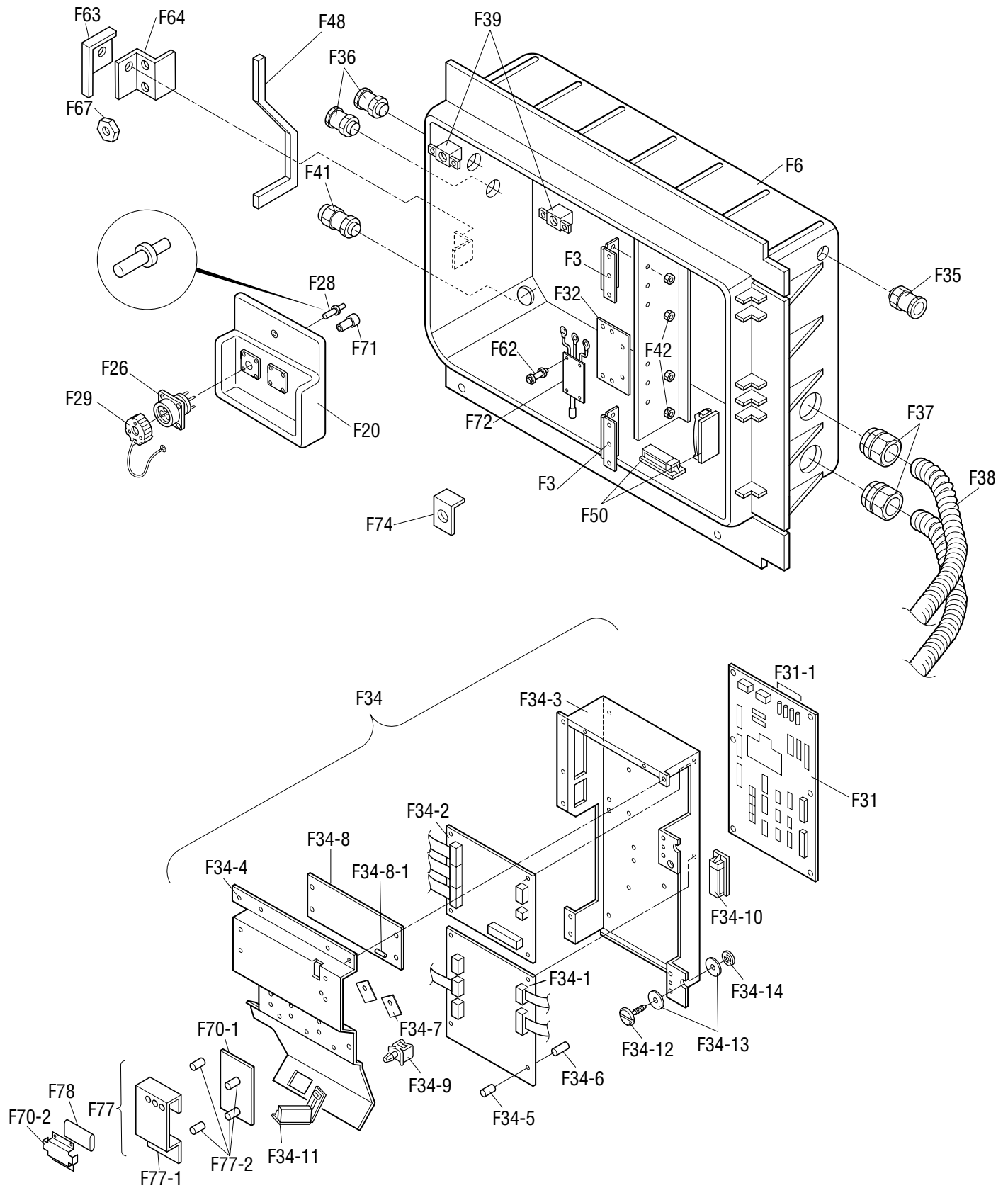


| NO. 符号 | INDEX | PARTS NO. 部品番号 | PARTS NAME | 部品名称 | DWG. NO. 図面番号 | TYPE SPECIFICATION 形式 仕様 | QTY/UNIT | | REMARKS 備考 |
|-----------|-------|-------------------|--------------------------------------|------------------------------|------------------|-----------------------------|----------|------|---------------|
| | | | | | | | LXE10E- | | |
| | | | | | | | A36 | A36A | |
| E2 | | 1266702 | Fixture plate, receiver | レシーバー固定具 | 4P011318-2 | t1.5 | 1 | | Page31 |
| E2 | | 1779710 | Fixture plate, receiver | レシーバー固定具 | 4P011318-3 | | | 1 | Page31 |
| E4 | | 1683972 | Pipe fixing plate | 配管取付板組立品 (MS L) | 4P158750-1 | | 1 | 1 | Page31 |
| E5 | | 1726608 | Mounting plate | 電磁弁取付板 | 4P172423-1 | | 1 | 1 | Page31 |
| E6 | | 1592425 | Tube clamp | 管止め金 | NE31016-58 | | 2 | 2 | Page31 |
| E7 | | 1266764 | Fitting band, dryer | ドライヤー取付バンド | 4PA51194-1 | | 1 | | Page31 |
| E7 | | 1779804 | Fitting band, dryer | 取付バンド (ドライヤ) | 4PA51194-2 | | | 1 | Page31 |
| E8 | | 1266771 | Set plate, dryer | 取付板 (ドライヤ) | 4P076788-1 | t2.0 | 1 | | Page31 |
| E8 | | 1787487 | Set plate, dryer | 取付板 (ドライヤ) | 4P076788-2 | | | 1 | Page31 |
| E10 | | 1222764 | Resin clamp | 樹脂バンド | NE41015-9 | MILK WHITE | 1 | 1 | Page31 |
| E11 | | 0944528 | Resin clamp | 樹脂バンド | NE41015-7 | MILK WHITE | 2 | 2 | Page30,32 |
| E12 | | 0142492 | Resin clamp | 樹脂バンド | NE41015-10 | MILK WHITE | 2 | 2 | Page32 |
| E13 | | 1266788 | Resin clamp | 樹脂バンド | NE41015-12 | MILK WHITE | 6 | 6 | Page20,30 |
| E14 | | 0508162 | Resin clamp | 樹脂バンド | NE41015-3 | | 1 | 1 | Page26 |
| E15 | | 0782775 | Tube clamp | 管止め金 | NE31016-51 | | 5 | 5 | Page32 |
| E16 | | 1584215 | Nylon coating tube clamp | ナイロンコーティング管止め金 | 4P143802-51 | | 6 | 6 | Page31 |
| E17 | | 1584208 | Nylon coating tube clamp | ナイロンコーティング管止め金 | 4P143802-52 | | 1 | 1 | Page31 |
| E20 | | 1386992 | Tube clamp, double tube heat exch | 二重管熱交換管止め金 | 4P103281-56 | | 2 | 2 | Page32 |
| E21 | | 1266795 | Tube clamp | 管止め金 | NE31016-55 | | 1 | 1 | Page31 |
| E22 | | 1584239 | Nylon coating tube holder | ナイロンコーティング管止め金 | 4P143802-71 | | 3 | 3 | Page31 |
| E23 | | 1266827 | Fixing plate, filter | フィルタ固定具 | 4P071794-1 | t1.5 | 1 | 1 | Page32 |
| E24 | | 1386985 | Tube clamp, double tube heat exch | 二重管熱交換管止め金 | 4P103281-51 | | 1 | 1 | Page34 |
| E26 | | 1584215 | Nylon coating tube clamp | ナイロンコーティング管止め金 | 4P143802-51 | | 3 | 3 | Page31 |
| E29 | | 1584246 | Nylon coating tube clamp | ナイロンコーティング管止め金 | 4P143802-59 | | 1 | 1 | Page31 |
| E30 | | 537320 | Hose band | ホースバンド | R4716528-3 | | 1 | 1 | Page20 |
| E32 | | 1266889 | Cushion rubber, pipe clamp | 緩衝ゴム (管止用) | 4P064896-1 | t1.0 | 1 | 1 | Page31 |
| E33 | | 1266896 | Seal packing | シールパッキン | 4P011314-1 | | 1 | 1 | Page31 |
| E34 | | 1270446 | Dryer cushion rubber | ドライヤ緩衝ゴム | 4PA53083-2 | | 1 | 1 | Page31 |
| E35 | | 1584253 | Cushion rubber | 緩衝ゴム | NE41013-3-300 | | 1 | | |
| E36 | | 1386947 | Sealing material, evaporator frame | 蒸発器受枠 (1) シール材 | 4P090149-1 | | 1 | 1 | Page33 |
| E37 | | 1266935 | Packing(for evaporator) | パッキン (蒸発器) | 4P063465-1 | | 2 | 2 | Page33 |
| E38 | | 1266942 | Packing(for evaporator) | パッキン (蒸発器) | 4P063465-2 | | 1 | 1 | Page33 |
| E39 | | 1381036 | Packing | パッキン | 4P095033-1 | | 2 | 2 | Page33 |
| E41 | | 1386954 | Packing, fan guide | ファンガイドパッキン | 3P090183-1 | | 1 | 1 | Page33 |
| E45 | | 1267008 | Sealing packing | シールパッキン | 3P011293-1 | | 1 | 1 | Page33 |
| E46 | | | Packing(side stay) | パッキン (サイドステー) (裏板SUS t0.8仕様) | 4P173834-1 | | 2 | 2 | Page33 |
| E52 | | 1584260 | Cushion rubber | 緩衝ゴム | NE41013-4-230 | | 1 | | Page32 |
| E54 | | 1267060 | Packing for prevention of air bypass | バイパス防止用パッキン | 4P011733-1 | | 2 | 2 | Page33 |
| E55 | | 1267077 | Packing for prevention of vibration | C A 前板ビビリ防止パッキン | 4P050050-1 | | 2 | 2 | Page20 |
| E57 | | 1267091 | Wiring protection bush | 配線保護ブッシュ | 4P023920-1 | BLACK | 2 | 2 | Page26 |

● When ordering the parts whose No. are not shown in the PARTS NO. column, be sure to describe DWG. NO..

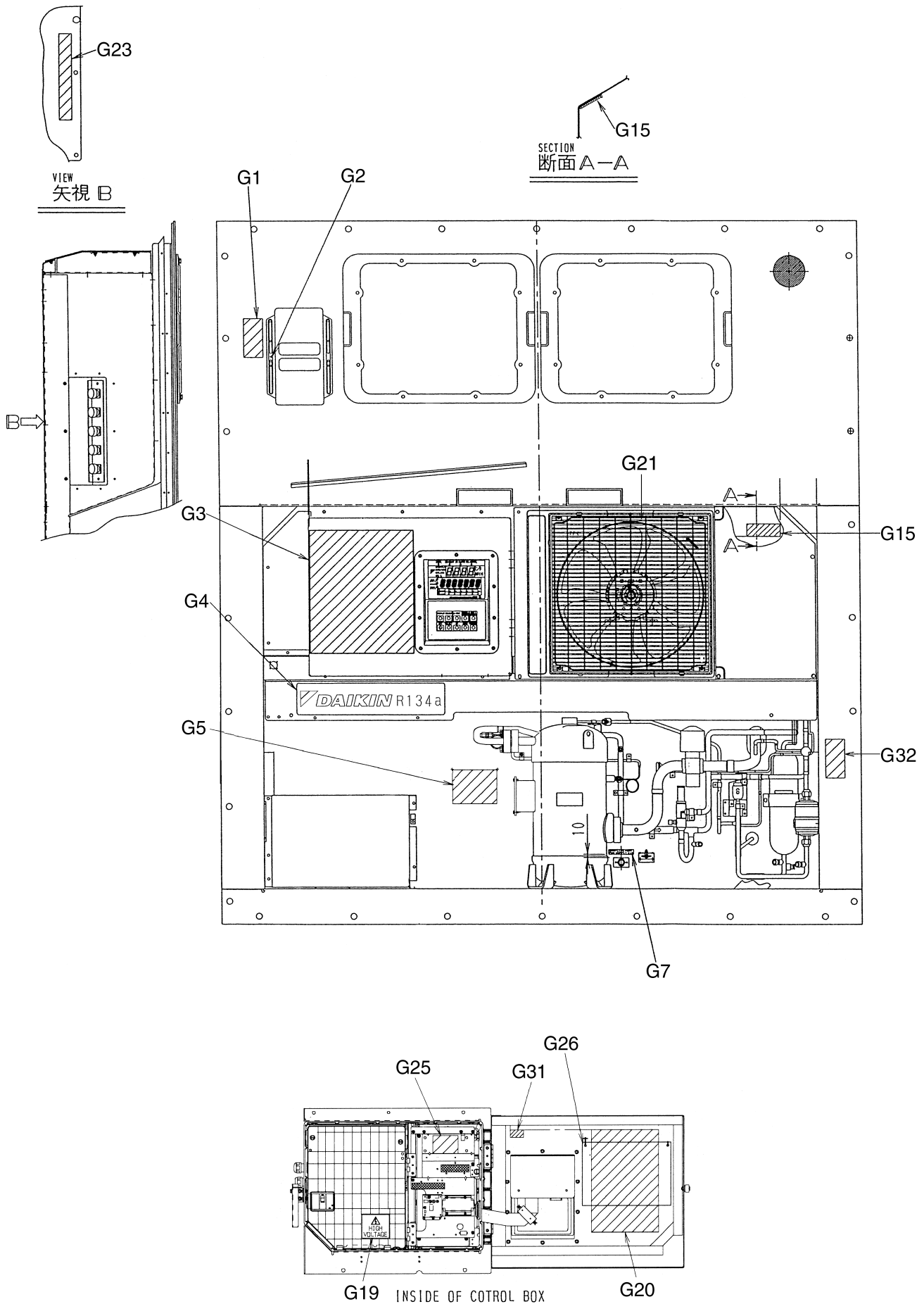
● 部品番号欄が空白になっている部品は、図面番号で、指示願います。

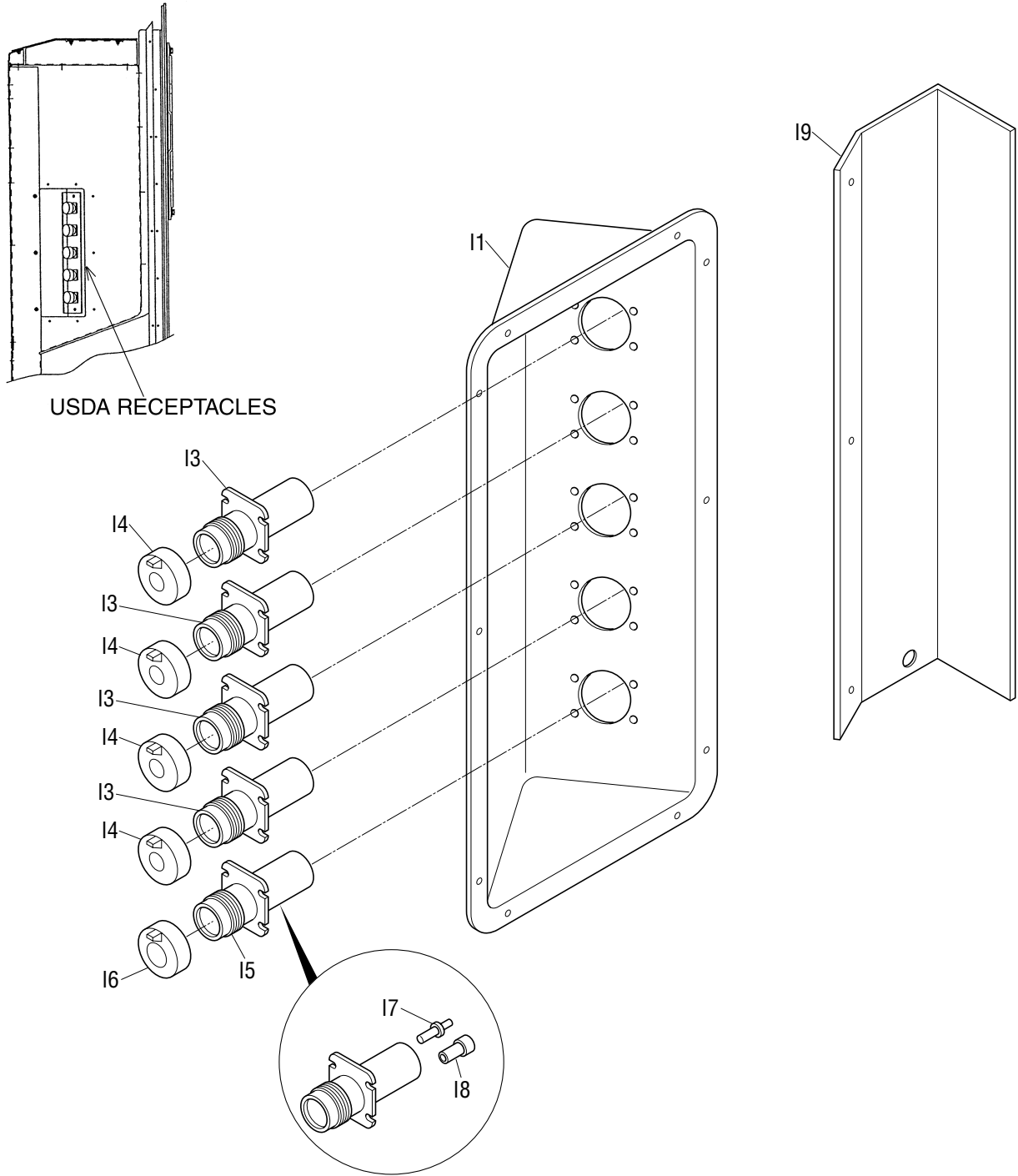


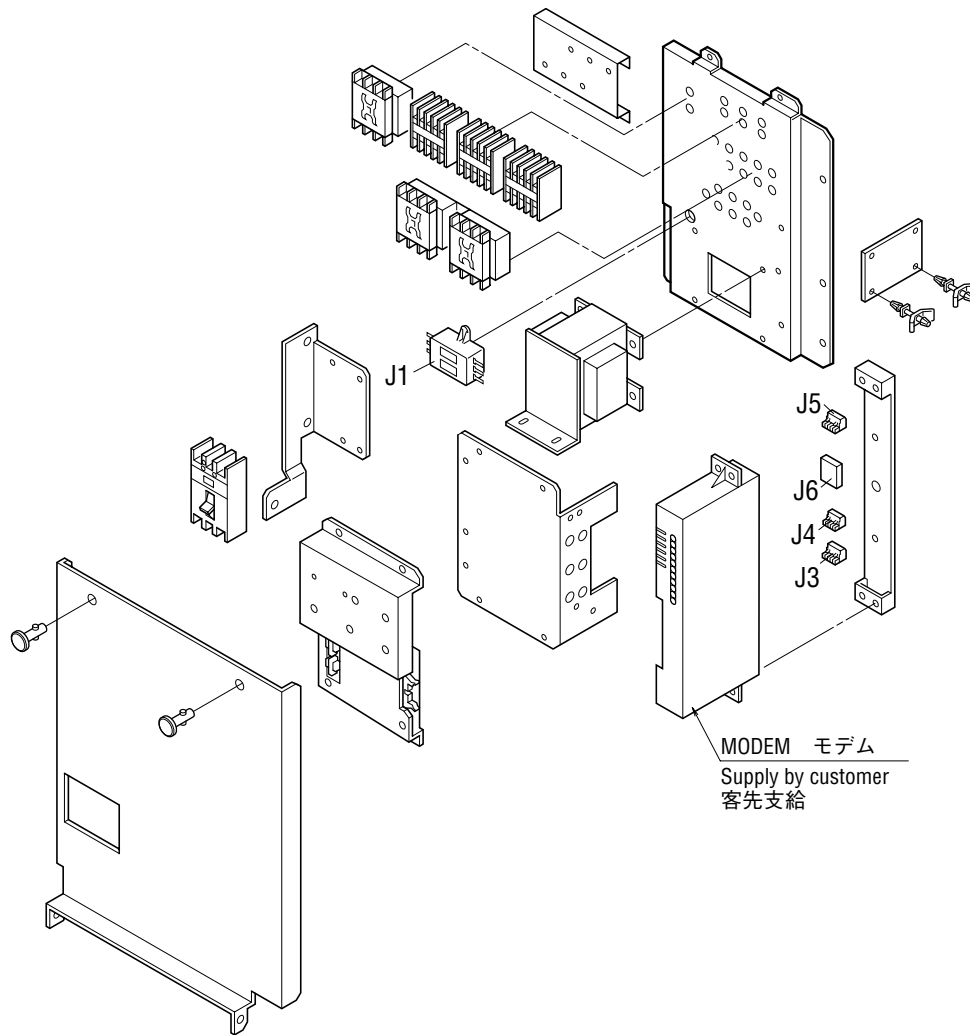


| NO. 符号 | INDEX | PARTS NO. 部品番号 | PARTS NAME | 部品名称 | DWG. NO. 図面番号 | TYPE SPECIFICATION 形式 仕様 | QTY/UNIT | | REMARKS 備考 |
|-----------|-------|-------------------|--|-----------------------|------------------|-----------------------------|----------|------|-----------------|
| | | | | | | | LXE10E- | | |
| | | | | | | | A36 | A36A | |
| F3 | C | 1136407 | Hinge(recorder/box cover) | 平蝶番 (レコーダボックス蓋) | 4P021346-1 | | 2 | 2 | |
| F6 | | 1796258 | EL. COMPO BOX ASSY | 電装品箱組立品 (樹脂) | 2P197567-2 | | 1 | 1 | |
| F7 | | 1739301 | Control box cover ass'y | コントロールボックス蓋組立品 | 2P171706-6 | | 1 | 1 | Refer to Page52 |
| F7-1 | C | 1136407 | Hinge(recorder/box cover) | 平蝶番 (レコーダボックス蓋) | 4P021346-1 | | 2 | 2 | |
| F7-2 | | 1136414 | Patch plate nut | 当板ナット | 4P044898-2 | | 2 | 2 | |
| F7-3 | | 1267875 | Roller | ワンタッチ金具用ローラ | 3P054321-1 | | 1 | 1 | |
| F7-4 | | 1739318 | Control box cover welding ass'y | コントロールボックス蓋溶接組立品 | 3P172570-1 | | 1 | 1 | |
| F7-5 | | 1796265 | Operation display cover | 操作表示カバー | 3P078251-2 | | 1 | 1 | |
| F7-6 | A | 1010815 | Display board | 表示基板 | 2P010368-2 | | 1 | 1 | |
| F7-7 | | 1497188 | Rubber gasket | パッキン(コントロールボックス蓋) | 4P111693-1 | | 1 | 1 | |
| F7-8 | A | 1295553 | Control panel(with sheet key) | コントロールパネル(シートキー付) | 3P085319-1 | | 1 | 1 | |
| F7-9 | | 1128949 | Packing | パッキン (樹脂パネル) | 3P030317-1 | | 1 | 1 | |
| F16-1 | | 0907062 | Seal washer | シール座金 (ボンテッド座金) | 4PA21941-5 | | 10 | 10 | |
| F16-2 | | 1267488 | Pan head machine screw | アプセット小ネジ | 4P067677-1 | M5X16 | 10 | 10 | |
| F17 | | 1739325 | Set plate(1) | 機器取付板 (1) | 2P165714-1 | | 1 | 1 | |
| F18 | | 1739332 | Blind plate(2) | 機器取付板 (2) | 1P173093-1 | | 1 | 1 | |
| F20 | | 1783492 | PC port fixing plate | 樹脂製パソコンポート固定具(PPR5・無) | 2P187073-1 | | 1 | 1 | |
| F22 | A | 119893J | Magnetic contactor(for Fans) | 電磁接触器 (ファン用) | 3P055568-1 | 24V PAK-6J31C | 3 | 3 | |
| F23 | A | 124149J | Magnetic contactor(Phase correction contactor) | 相順切換電磁接触器 (PCC) | 3P071508-3 | 24V RSK-35J | 1 | 1 | |
| F24 | A | 119891J | Magnetic contactor(Compressor) | 電磁接触器 (圧縮機) | 3P055566-1 | 24V PAK35J-S536 | 1 | 1 | |
| F25 | C | 1562796 | Low frequency transformer | 低周波変圧器 | 3P139293-1 | | 1 | 1 | |
| F26 | C | 1381113 | PC port connector | パソコンポートコネクタ | 3P073218-1 | | 1 | 1 | |
| F27 | A | 1381120 | Earth leakage circuit breaker | 漏電遮断器 | 3P093326-1 | | 1 | 1 | |
| F28 | C | 1141144 | Contact, receptacle | コンタクタ | 3P010806-1 | HD10 | 3 | 3 | |
| F29 | | 1381137 | PC port connector ass'y | パソコンポートカバー組立品 | 3P010743-2 | | 1 | 1 | |
| F30 | A | 0954633 | PT/CT board | P T / C T ボード | 2P010906-3 | | 1 | 1 | |
| F31 | A | 1679137 | Terminal strip boaed | 端子台基板 | 2P174377-1 | | 1 | 1 | |
| F31-1 | A | 003065J | Fuse, controller | 制御用ヒューズ | 4SA42006-4 | 250V 10A | 6 | 6 | |
| F32 | | 1739349 | Mounting plate humidity sensor | 湿度センサ取付板 | 4P168053-1 | | 1 | | |
| F33 | A | 1787230 | Reverse phase protector | 逆相保護装置 (RPP) | 3P198363-1 | 346-440V | 1 | 1 | |
| F34 | | 1775477 | Controller assemblies | コントローラ組立品 | 3P172236-7 | | 1 | 1 | |
| F34-1 | A | 1642553 | PCB ass'y | プリント基板組立品 | 2P161091-2 | | 1 | 1 | |
| F34-2 | A | 1775484 | I/O board ass'y | I / O ボード | 2P010367-3 | | 1 | 1 | |
| F34-3 | | 1739363 | Bottom plate(sheet metal) | コントローラ底板 | 2P168028-1 | | 1 | 1 | |
| F34-4 | B | 1739370 | Controller cover | 蓋 (コントローラ) | 2P168029-1 | | 1 | 1 | |
| F34-5 | | 1099940 | Support bushing, PCB | プリント基板サポートブッシュ | MI49531-11 | | 14 | 14 | |
| F34-6 | | 1099957 | Support color, PCB | プリント基板サポートカラー | MI49531-13 | | 14 | 14 | |
| F34-7 | | 1267572 | Rubber transistor | 放熱用ゴムトランジスタ | 4P005330-1 | | 2 | 2 | |
| F34-8 | A | 1250783 | PC board for suction modulating valve | プリント基板組立品(吸入制御弁用) | 3P065441-1 | EC0058 | 1 | 1 | |
| F34-8-1 | A | 044543J | Fuse, control | 制御用ヒューズ | 4SA42006-3 | 250V 5A | 1 | 1 | |

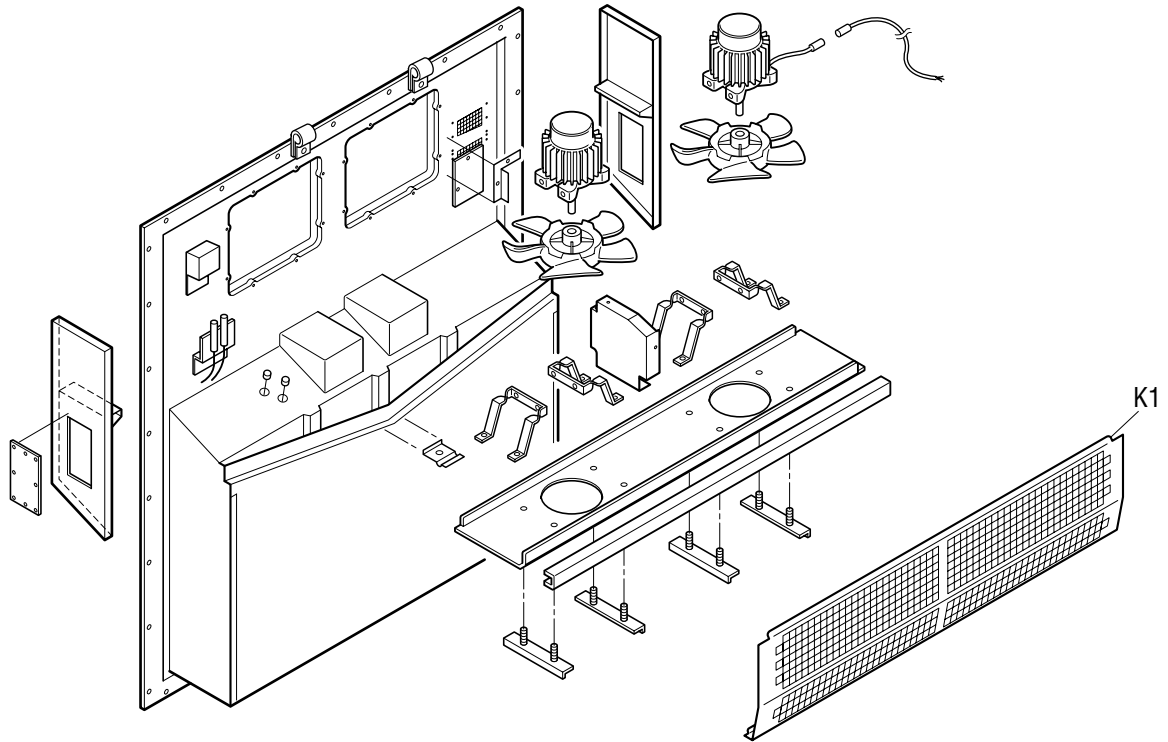
| NO. 符号 | INDEX | PARTS NO. 部品番号 | PARTS NAME | 部品名称 | DWG. NO. 図面番号 | TYPE SPECIFICATION 形式 仕様 | QTY/UNIT | | REMARKS 備考 |
|-----------|-------|-------------------|-------------------------------------|-------------------------|------------------|-----------------------------|----------|------|---------------|
| | | | | | | | LXE10E- | | |
| | | | | | | | A36 | A36A | |
| F34-9 | | 1267596 | Locking wire saddle | ロッキングワイヤサドル | 4P015570-2 | LWS | 3 | 3 | |
| F34-10 | | 1267604 | Flat cable clamp | フラットケーブルクランプスナップタイプ | 4P015573-1 | | 1 | 1 | |
| F34-11 | | 1750663 | Ferrite core filter | フェライトコアフィルタ | 4EA76013-5 | | 1 | 1 | |
| F34-12 | | 1267611 | Speed bolt | スピードボルト (M6) | 4P048680-3 | M6X20(S) | 1 | 1 | |
| F34-13 | | 860005 | Washer, speed bolt | スピードボルト用座金 | R4713334 | | 2 | 2 | |
| F34-14 | | 840002 | Drop out prevention washer | 脱落防止座金 | R4718607-6 | | 1 | 1 | |
| F35 | | 1267628 | Wire(wire ground) | 電線 (電線グラウンド) | 4P067662-1 | | 1 | 1 | |
| F36 | | 1267635 | Wire(wire ground) | 電線 (電線グラウンド) | 4P067663-1 | | 2 | 2 | |
| F37 | | 1635346 | Wire ground, flexible tube | 樹脂製フレキシブル管用グラウンド | 4P157387-1 | | 2 | 2 | |
| F38 | | 1635353 | Flexible tube(resin) | 樹脂製フレキシブル管 | 4P157410-1 | | 2 | 2 | |
| F39 | | 1267666 | Quick fastener | クイックファスナー | 4P064642-1 | | 2 | 2 | |
| F41 | | 1743216 | Wire ground,flexible tube | 樹脂製フレキシブル管用コネクタ | 4P010926-7 | | 1 | 1 | |
| F42 | | 833302 | Nylon nut | ナイロンナット | R4716460-1 | M4 | 4 | 4 | |
| F46 | | 380401 | Locking card spacer | ロッキングカードスペーサー | R3428091-2 | | 4 | 4 | |
| F48 | | 1739387 | Packing for control box front plate | パッキン(コントロールボックス前板(左)) | 4P172580-1 | | 1 | 1 | |
| F50 | | 1136539 | Clamp | クランプ金具 | 4P015574-2 | | 2 | 2 | |
| F57 | | 1739394 | Breaker plate 1 | ブレーカ取付板 (1) | 3P168052-1 | | 1 | 1 | |
| F58 | | 1739495 | Mounting plate, elect components | 電装品取付板 (2) | 4P064227-2 | | 1 | 1 | |
| F59 | | 1739402 | Breaker plate 2 | ブレーカ取付板 (2) | 3P168051-1 | | 1 | 1 | |
| F61 | | 1295623 | Fixtture(instruction ring) | 固定具(インストラクションリング) | 4P064698-1 | Wire diameter | 1 | 1 | |
| F62 | | 1381175 | Circuit board spacer | サーキットボードスペーサ | 4P000347-1 | | 4 | 4 | |
| F63 | | 1295630 | Lever | ワンタッチ金具 | 4P085171-1 | | 1 | 1 | |
| F64 | | 1295647 | Fixing plate for lever | ワンタッチ金具取付板 | 4P085164-1 | | 1 | 1 | |
| F67 | | 833301 | Nylon nut | ナイロンナット | R4716460-3 | M6 | 3 | 3 | |
| F70-1 | | 1793792 | Chargeble battery PCB ass'y | 充電器P板組立品 (WH L) | 3P177241-1 | | 1 | 1 | |
| F70-2 | | 1733473 | Mounting plate | リチャージャブルバッテリーホルダー組立品(2) | 4P175166-2 | | 1 | 1 | |
| F71 | | 1381221 | Straight pin | 平行ピン(ドイチェ製シールピン) | 3P040139-1 | | 2 | 2 | |
| F72 | A | 1780284 | Humidy sensor(HUS) | 湿度センサー | 3PA61738-3 | RHU-600A-D2 | 1 | 1 | |
| F73 | A | 0954640 | Noise filter | ノイズフィルタ | 2PA51273-1 | ZAC2206-11 | 1 | 1 | |
| F74 | | 1780291 | Protection plate | 保護板 (YORK製モデム) | 4P176030-1 | | 1 | 1 | |
| F75 | | 1780309 | Bushing | ワンタッチ金具ローラ用ブッシュ | 4P171668-2 | | 1 | 1 | |
| F76 | | 1780316 | Mounting plate, RPP | 逆相保護装置取付板 | 4P168038-1 | | 1 | 1 | |
| F77 | | 1796272 | Chargable battery PCB ass'y | 充電・残ボルトメータP板組立品 | 3P171534-4 | | 1 | 1 | |
| F77-1 | | 1780323 | Mounting plate | 充電・残ボルトメータ取付板 | 4P172284-2 | | 1 | 1 | |
| F77-2 | | 1684463 | Spacer | スペーサ | 4P171495-1 | | 4 | 4 | |
| F78 | | 1679430 | Battery | 電池 | 3P174899-1 | | 1 | 1 | |
| | | | | | | | | | |
| | | | | | | | | | |
| | | | | | | | | | |
| | | | | | | | | | |



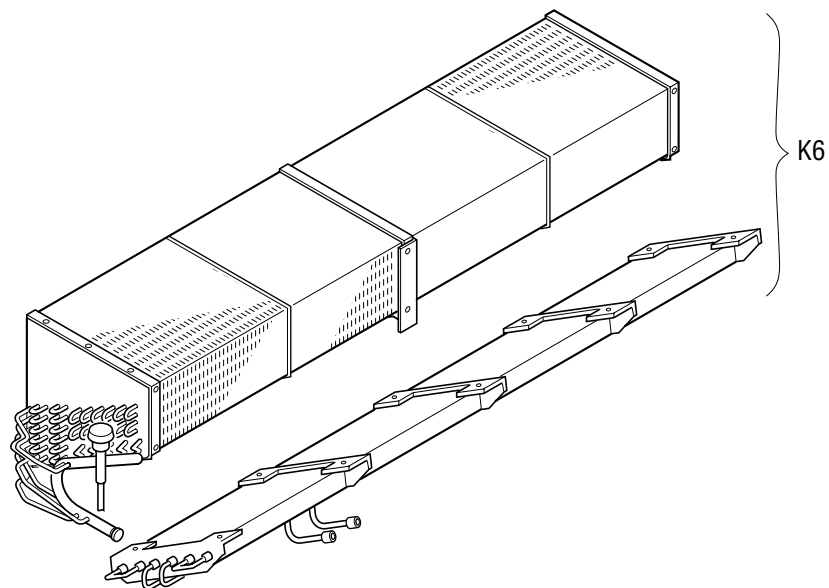




1. Indoor fan guard
1. 庫内ファンガード

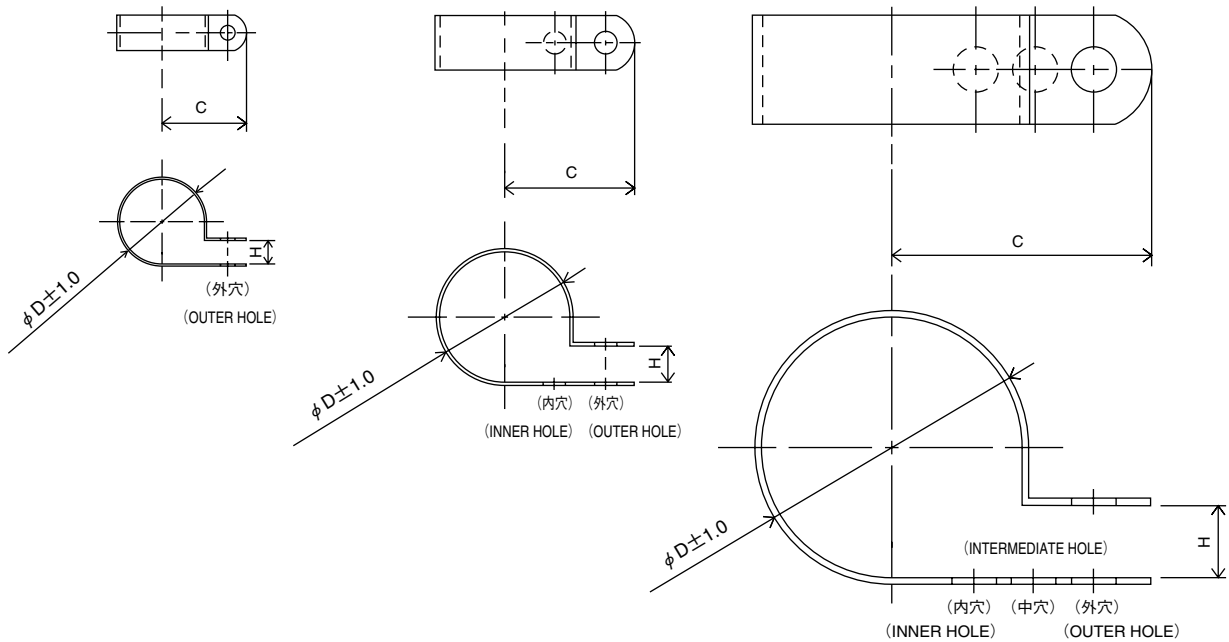


2. Evaporator coil
2. 蒸発器コイル組立品



1. Resin clamp

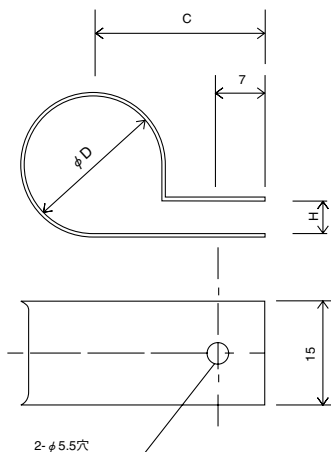
1. 樹脂バンド



| NO. 符号 | PARTS NO. 部品番号 | PARTS NAME | 部品名称 | DWG NO. 図面番号 | SIZE サイズ | | | QTY 使用個数 |
|-----------|-------------------|-------------|-------|-----------------|-------------|------|-----|-------------|
| | | | | | D | C | H | |
| E10 | 1222764 | Resin clamp | 樹脂バンド | NE41015-9 | 26.9 | 27.8 | 7.9 | 1 |
| E11 | 0944528 | Resin clamp | 樹脂バンド | NE41015-7 | 19.8 | 24.6 | 7.9 | 2 |
| E12 | 0142492 | Resin clamp | 樹脂バンド | NE41015-10 | 29.2 | 29.4 | 7.9 | 2 |
| E13 | 1266788 | Resin clamp | 樹脂バンド | NE41015-12 | 39.4 | 34.2 | 9.5 | 6 |
| E14 | 0508162 | RESIN CLAMP | 樹脂バンド | NE41015-3 | 8.4 | 16.7 | 4.8 | 1 |

2. Tube clamp

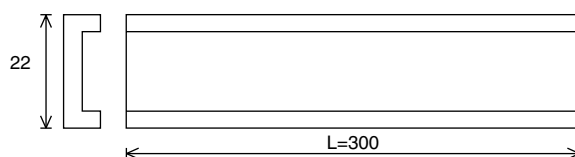
2. 管止金



| NO. 符号 | PARTS NO. 部品番号 | PARTS NAME | 部品名称 | DWG NO. 図面番号 | SIZE サイズ | | | QTY 使用個数 |
|-----------|-------------------|---------------------------|----------------|-----------------|-------------|----|---|-------------|
| | | | | | D | C | H | |
| E6 | 1592425 | Tube clamp | 管止め金 | NE31016-58 | 24 | 27 | 5 | 2 |
| E15 | 0782775 | Tube clamp | 管止め金 | NE31016-51 | 10 | 20 | 3 | 5 |
| E16 | 1584215 | Nylon coating tube clamp | ナイロンコーティング管止め金 | 4P143802-51 | 10 | 20 | 3 | 6 |
| E17 | 1584208 | Nylon coating tube clamp | ナイロンコーティング管止め金 | 4P143802-52 | 12 | 21 | 3 | 1 |
| E21 | 1266795 | Tube clamp | 管止め金 | NE31016-55 | 18 | 29 | 5 | 1 |
| E22 | 1584239 | Nylon coating tube holder | ナイロンコーティング管止め金 | 4P143802-71 | 6.4 | 20 | 1 | 3 |
| E26 | 1584215 | Nylon coating tube clamp | ナイロンコーティング管止め金 | 4P143802-51 | 10 | 20 | 3 | 3 |
| E29 | 1584246 | Nylon coating tube clamp | ナイロンコーティング管止め金 | 4P143802-59 | 26 | 28 | 5 | 1 |

3. Cushion rubber for pipe clamp

3. 管止金用緩衝ゴム



| NO. 符号 | PARTS NO. 部品番号 | PARTS NAME | 部品名称 | DWG NO. 図面番号 | REMARKS 備考 |
|-----------|-------------------|----------------|-----------|-----------------|--|
| E35 | 1584253 | Cushion rubber | 管止め金用緩衝ゴム | NE41013-3-300 | Cut to suit pipe size. 配管サイズに合わせて切って 使用のこと |

1. Parts recommended to be ordered together with packing, gasket, sealing material and name plate
1. 発注の際にパッキングやシール材、銘板等の同時発注を推奨する部品

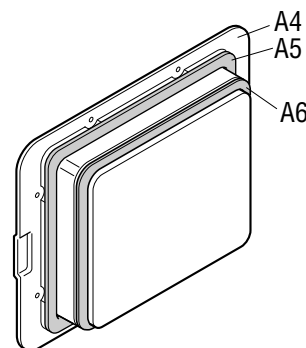
For ordering following spare parts, we recommend that you order the following packing, gasket, sealing material and name plate together at the same time.

上記のサービス扉やボックスカバーを発注の際には、下記のパッキングを同時に発注することをおすすめします。

(1) Service door

(1) サービス扉

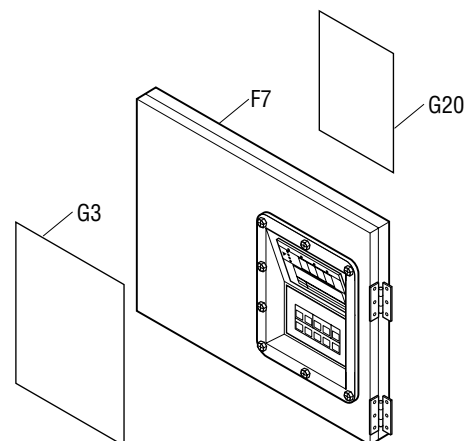
| NO. 符号 | PARTS NO. 部品番号 | PARTS NAME | 部品名称 | DWG NO. 図面番号 |
|-----------|-------------------|---------------------------------|----------------|-----------------|
| A4 | 1612576 | Access panel (FRP) | サービス扉組立品 | 1P006678-5 |
| A5 | 1266207 | Cushion material (access panel) | クッション材 (サービス扉) | 3P033608-1 |
| A6 | 1196113 | Sealing material (access panel) | シール材 (サービス扉) | 3P001640-2 |



(2) Control box cover

(2) コントロールボックスカバー

| NO. 符号 | PARTS NO. 部品番号 | PARTS NAME | 部品名称 | DWG NO. 図面番号 |
|-----------|-------------------|-------------------------------|-----------------------|-----------------|
| F7 | 1739301 | C.BOX cover ass'y | コントロールボックス蓋組立品 | 2P171706-6 |
| G3 | 1557042 | Name plate, operation | 操作銘板 (C & M O D E, 英) | 1P136900-1 |
| G20 | 1793817 | Electriv wiring diagram label | 電気配線図銘板 | 2D055844-1 |



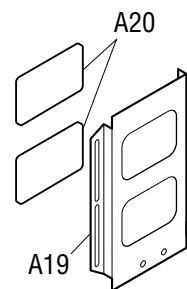
※Rubber gasket, sheet key is attached to control box cover ass'y.

※ゴムガスケットとシートキーはコントロールボックス組立品に付属しています。

(4) Ventilation cover

(4) 換気口蓋

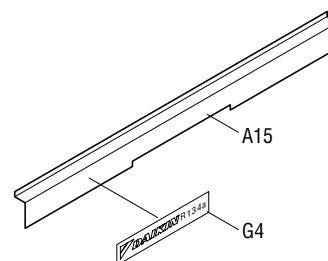
| NO. 符号 | PARTS NO. 部品番号 | PARTS NAME | 部品名称 | DWG NO. 図面番号 |
|-----------|-------------------|------------------------------------|-----------|-----------------|
| A19 | 0981060 | Ventilation cover | 換気口蓋 | 3P003175-1 |
| A20 | 1266221 | Sealing material (access panel) | シール材(換気口) | 4P016185-1 |



(5) Front plate (CA)

(5) 前板 (CA)

| NO. 符号 | PARTS NO. 部品番号 | PARTS NAME | 部品名称 | DWG NO. 図面番号 |
|-----------|-------------------|--|---------------------|-----------------|
| A15 | 1739286 | Front plate (CA) | 前板 (C A) | 2P173133-1 |
| G4 | 1726552 | Name plate, Brand name and refrigerant label | 意匠銘板 および 冷媒銘板 | 3P174603-1 |



2. Order for motorized valve, solenoid valve and pressure regulating valve

2. 電動弁・電磁弁・圧力調整弁の発注

Refer to the following table for the name, main body, solenoid coil and ass'y of solenoid valves etc. applied to this model.

この機種に使用されている電磁弁等の名称と本体・コイル・組立品は下記のとおりです。

| | Body/Coil 本体/コイル | NO. 符号 | PARTS NO. 部品番号 | PARTS NAME | 部品名称 | DWG NO. 図面番号 | Common Parts 共通部品 | | |
|--------|---------------------|-----------|-------------------|--|-------------------|-----------------|----------------------|-------------|---------------|
| | | | | | | | NEV-202DXF | VPV-803PQ60 | NEV-MOAB507C1 |
| 1.EV | 本体 Body | B7-3 | 125649J | Electronic expansion valve body | 電子膨張弁本体 | 2SA50010-2-KU | | | |
| | コイル Coil | B20 | 138143J | Electronic expansion valve coil | 電子膨張弁コイル | 2P010454-2 | | | |
| 2.HSV | 本体 Body | B7-4 | 1787247 | Hot gas solenoid valve body | ホットガス電磁弁本体 | 3P198486-1 | | ○ | |
| | コイル Coil | B7-5 | 1266290 | Hot gas solenoid valve coil | ホットガス電磁弁コイル | 3P010453-2 | | | ○ |
| 3.DSV | 本体 Body | B7-4 | 1787247 | Defrost bypass solenoid valve body | デフロストバイパス電磁弁本体 | 3P198486-1 | | ○ | |
| | コイル Coil | B7-5 | 1266290 | Defrost bypass solenoid valve coil | デフロストバイパス電磁弁コイル | 3P010453-2 | | | ○ |
| 4.BSV | 本体 Body | B7-4 | 1787247 | Gas bypass solenoid valve body | ガスバイパス電磁弁本体 | 3P198486-1 | | ○ | |
| | コイル Coil | B7-5 | 1266290 | Gas bypass solenoid valve coil | ガスバイパス電磁弁コイル | 3P010453-2 | | | ○ |
| 5.RSV | 本体 Body | B7-4 | 1787247 | Reheat coil bypass solenoid valve body | レヒートコイルバイパス電磁弁本体 | 3P198486-1 | | ○ | |
| | コイル Coil | B7-5 | 1266290 | Reheat coil bypass solenoid valve coil | レヒートコイルバイパス電磁弁コイル | 3P010453-2 | | | ○ |
| 6.EV | 本体 Body | B7-6 | 0088738 | Economizer solenoid valve body | エコノマイザー電磁弁本体 | R3305099-1-KI | ○ | | |
| | コイル Coil | B7-7 | 1266290 | Economizer solenoid valve coil | エコノマイザー電磁弁コイル | 3P010453-2 | | | ○ |
| 7.ISV | 本体 Body | B7-6 | 0088738 | Injection solenoid valve body | インジェクション電磁弁本体 | R3305099-1-KI | ○ | | |
| | コイル Coil | B7-7 | 1266290 | Injection solenoid valve coil | インジェクション電磁弁コイル | 3P010453-2 | | | ○ |
| 8.LSV | 本体 Body | B4-5 | 1787247 | Liquid solenoid valve body | 液電磁弁本体 | 3P198486-1 | | ○ | |
| | コイル Coil | B4-6 | 0955287 | Liquid solenoid valve coil | 液電磁弁コイル | 3P010453-1 | | | ○ |
| 9.SMV | 組立品 Ass'y | B8-1 | 1254538 | Suction modulating Valve | 吸入比例弁組立品 | 2P078385-1 | | | Note1 注1 |
| 10.DPR | 組立品 Ass'y | B3-4 | 1241361 | Discharge pressure regulating valve | 吐出圧力調整弁 | 3P074558-1 | | | |

Note 1 : Refer Page 22, 23 and 24 for detail parts of suction modulating valve.

注 1 : SMV (吸入比例弁) の詳細部品はP.22、23、24を参照ください。

Note 2 : Difference of solenoid valve No.1266290 and 0955287.

No.1266290 (3P010453-2) : Lead wire length 1550mm (TYPE NEV-MOAB518C1)

No.0955287 (3P010453-1) : Lead wire length 2000mm (TYPE NEV-MOAB507C1)

注 2 : 電磁弁No.1266290とNo.0955287の違い。

No.1266290 (3P010453-2) : リード線長さ1550mm (型式 NEV-MOAB518C1)

No.0955287 (3P010453-1) : リード線長さ2000mm (型式 NEV-MOAB507C1)

3. Order for pressure trasducer

3. 圧力センサーの発注

Refer to the following table for the pressure transducer applied to this model.

For ordering pressure transducer, we recommend that you order the following best shrinkable tube together at the same time.

この機種に使用している圧力センサーは下記の通りです。

圧力センサー発注の際は、下記の熱収縮チューブを同時に発注することをおすすめします。

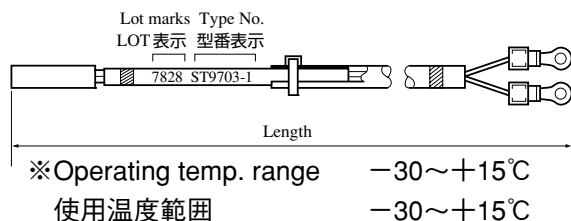
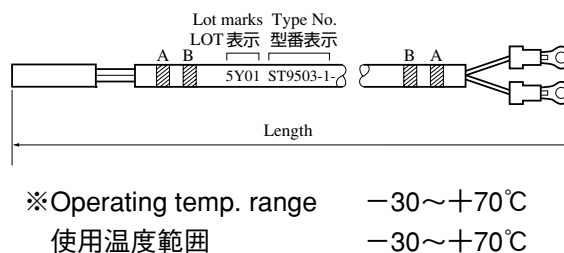
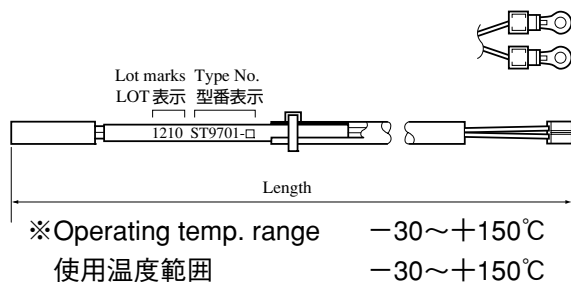
| NO. 符号 | PARTS NO. 部品番号 | PARTS NAME | 部品名称 | DWG NO. 図面番号 | TYPE 形式 | REMARKS 備考 |
|-----------|-------------------|--------------------------------|---------------|-----------------|----------------|---|
| B16 | 1587959 | High pressure transducer (HPT) | 高圧圧力センサ (HPT) | 3P141602-1 | NSK-BD030F-070 | |
| B15 | 1587942 | Low pressure transducer (LPT) | 低圧圧力センサ (LPT) | 3P141601-1 | NSK-BD010F-070 | |
| E84 | 1605509 | Heat shrinkable tube | 熱収縮チューブ | 4P151322-1 | | Must be applied when replacing above sensors. 上記圧力センサー交 換時使用の事。 |

4. Order for temperature sensor

4. 温度センサーの発注

Refer to the following table for temperature sensors applied to this model.

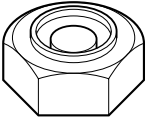
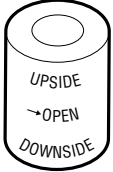
この機種に使用されている温度センサーは下記の通りです。



| 呼称 | NO.符号 | PARTS NO. 部品番号 | PARTS NAME | 部品名称 | DWG. NO. 図番 | TYPE 形式 | WIRE COLOR 配線色 | | LENGTH 全長mm | TEMPORALY EXCHANGABILITY 緊急時互換性 |
|---------|-------|----------------|---------------------------------------|-------------------|-------------|-----------|----------------|-------|-------------|---------------------------------|
| | | | | | | | A | B | | |
| 1. SS | C24 | 1713330 | Supply air temp. sensor | 吹出空気温度センサー | 3PA61769-16 | ST9503-16 | green 緑 | - | 3100 | ○ |
| 2. DSS | C25 | 1713347 | Data recorder supply air temp. sensor | データレコーダ吹出空気温度センサー | 3PA61769-17 | ST9503-17 | green 緑 | Red 赤 | 3100 | ○ |
| 3. RS | C26 | 1713354 | Return air temp. sensor | 吸込空気温度センサー | 3PA61769-18 | ST9503-18 | Blue 青 | - | 2900 | ○ |
| 4. DRS | C27 | 1713361 | Data recorder return air temp. sensor | データレコーダ吸込空気温度センサー | 3PA61769-19 | ST9503-19 | Blue 青 | Red 赤 | 3100 | ○ |
| 5. EIS | D4 | 156282J | Evaporator inlet temp. sensor | 蒸発器入口温度センサー | 3P012118-2 | ST9703-2 | Brown 茶 | - | 2500 | |
| 6. EOS | D5 | 156283J | Evaporator outlet temp. sensor | 蒸発器出口温度センサー | 3PA61769-15 | ST9503-15 | Yellow 黄 | - | 2600 | ○ |
| 7. DCHS | B11 | 098332J | Discharge pipe temp. sensor | 吐出管温度センサー | 3SA48009-10 | ST9701-10 | - | - | 2910 | |
| 8. AMBS | B12 | 0798321 | Ambient air temp. sensor | 外気温度センサー | 3PA61769-6 | ST9503-6 | - | - | 2600 | ○ |
| 9. SGS | B13 | 098333J | Compressor suction gas temp. sensor | 圧縮機吸入ガス温度センサー | 3PA61769-9 | ST9503-9 | White 白 | - | 2900 | ○ |

1. Tools for emergency operation

1. 緊急運転用工具

| NO. 符号 | PARTS NO. 部品番号 | PARTS NAME | 部品名称 | DWG NO. 図面番号 | USE 用途 | ILLUSTRATION 姿図 |
|-----------|-------------------|--------------------|---------------------|-----------------|--|---|
| - | 1080263 | Emergency coil cap | エマージェンシー コイルキャップ | 3P017370-1 | For electronic expansion valve 電子膨張弁用 |  |
| - | 1270530 | Emergency magnet | エマージェンシー マグネット | 2P078385-2 | Suction modulating valve 吸入比例弁用 |  |

(See Service Manual for application.)

(使用方法はサービスマニュアルを参照ください。)

2. Personal computer cable (for DCCS)

2. パソコンケーブル（DCCS用）

The following parts are connector cables required to exchange information between the refrigeration unit and personal computer. The table below describes parts required to apply to Model LXE-C, -D, and -E new model.

下記の部品は冷凍ユニットとパソコンの情報交換に必要なコネクタ、ケーブル類です。LXE-C型、D型、及び新機種E型対応に必要な部品を掲載しています。

[TYPE A]タイプA

| | | |
|--|-------------------------------------|--|
| LXE10C LXE10CA LXE10D for MOL | LXE10C LXE10CA MOL用LXE10D | |
| (Receptacle) RS232C (Female) on the controller | (レセプタクル) RS232C (メス) コントローラー側 | |

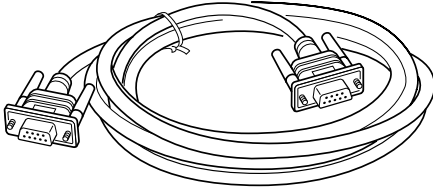
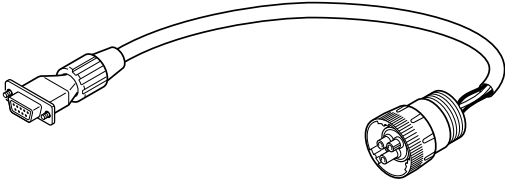
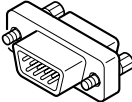
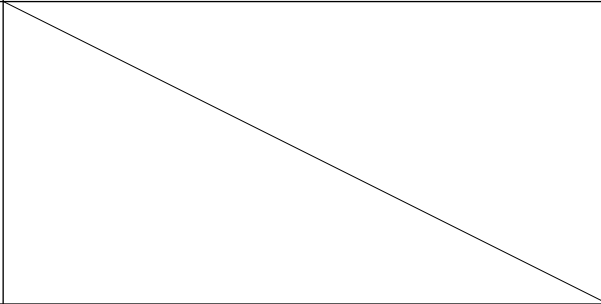
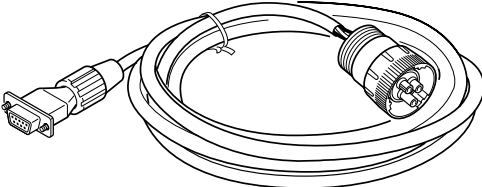
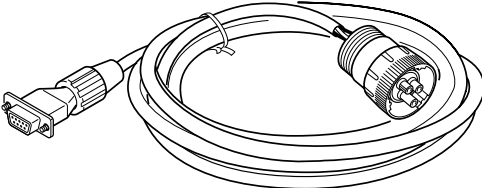
[TYPE B]タイプB

| | | |
|---|---------------------------------|--|
| LXE10D LXE10E | LXE10D LXE10E | |
| (Receptacle) Water proof type on the unit | (レセプタクル) コンテナ冷凍機 ユニットの防水型 | |

(1) Parts No.

(1) 部品番号

| NO. 符号 | PARTS NO. 部品番号 | PARTS NAME | 部品名称 | REMARKS 備考 |
|-----------|---------------------|-----------------------------|------------------------|---|
| ① | Local supply 市販品 | Connection cable (reverse) | 接続ケーブル (リバース) | RS232C reverse (cross) type RS232Cリバース (クロス) 型 |
| ② | 9993324 | Connection cable | 接続ケーブル | |
| ③ | Local supply 市販品 | Adapter (gender changer) | アダプター (ジェンダーチェンジャー) | D-sub 9P, Male-Male Dサブ9ピン、オス-オス |
| ④ | 1087149 | Connection cable (3 Pins) | 接続ケーブル (3ピン) | LXE10E-A Standard LXE10E-A標準 |
| ⑤ | 1384509 | Connection cable (5 Pins) | 接続ケーブル (5ピン) | For LXE10E-A14,A15 LXE10E-A14、A15用 |

| NO. 符号 | Illustration 姿図 | Internal Wiring 内部配線 | | | | | | | | | | | | | | | | | | | | | | | | | | | | | | |
|-----------|---|---|---|-------|---|---|-------|---|---|---------|---|---|---------|---|---|---------|---|---|---|---|---|---|---|---|---|---|-------|--|-------|------|--|------|
| ① |  | <p>RS232C Female RS232C Female</p> <p>メス メス</p> <table border="0"> <tr><td>1</td><td>↔</td><td>1</td></tr> <tr><td>2</td><td>↔</td><td>2</td></tr> <tr><td>3</td><td>↔</td><td>3</td></tr> <tr><td>4</td><td>↔</td><td>4</td></tr> <tr><td>5</td><td>↔</td><td>5</td></tr> <tr><td>6</td><td>↔</td><td>6</td></tr> <tr><td>7</td><td>↔</td><td>7</td></tr> <tr><td>8</td><td>↔</td><td>8</td></tr> <tr><td>Frame</td><td></td><td>Frame</td></tr> <tr><td>フレーム</td><td></td><td>フレーム</td></tr> </table> | 1 | ↔ | 1 | 2 | ↔ | 2 | 3 | ↔ | 3 | 4 | ↔ | 4 | 5 | ↔ | 5 | 6 | ↔ | 6 | 7 | ↔ | 7 | 8 | ↔ | 8 | Frame | | Frame | フレーム | | フレーム |
| 1 | ↔ | 1 | | | | | | | | | | | | | | | | | | | | | | | | | | | | | | |
| 2 | ↔ | 2 | | | | | | | | | | | | | | | | | | | | | | | | | | | | | | |
| 3 | ↔ | 3 | | | | | | | | | | | | | | | | | | | | | | | | | | | | | | |
| 4 | ↔ | 4 | | | | | | | | | | | | | | | | | | | | | | | | | | | | | | |
| 5 | ↔ | 5 | | | | | | | | | | | | | | | | | | | | | | | | | | | | | | |
| 6 | ↔ | 6 | | | | | | | | | | | | | | | | | | | | | | | | | | | | | | |
| 7 | ↔ | 7 | | | | | | | | | | | | | | | | | | | | | | | | | | | | | | |
| 8 | ↔ | 8 | | | | | | | | | | | | | | | | | | | | | | | | | | | | | | |
| Frame | | Frame | | | | | | | | | | | | | | | | | | | | | | | | | | | | | | |
| フレーム | | フレーム | | | | | | | | | | | | | | | | | | | | | | | | | | | | | | |
| ② |  | <p>Daikin made RS232C Female</p> <p>ダイキン製 メス</p> <table border="0"> <tr><td>A</td><td>Red</td><td>1</td></tr> <tr><td>B</td><td>White</td><td>2</td></tr> <tr><td>C</td><td>Black</td><td>3</td></tr> <tr><td></td><td></td><td>4</td></tr> <tr><td></td><td></td><td>5</td></tr> <tr><td></td><td></td><td>6</td></tr> <tr><td></td><td></td><td>7</td></tr> <tr><td></td><td></td><td>8</td></tr> <tr><td></td><td></td><td>9</td></tr> </table> | A | Red | 1 | B | White | 2 | C | Black | 3 | | | 4 | | | 5 | | | 6 | | | 7 | | | 8 | | | 9 | | | |
| A | Red | 1 | | | | | | | | | | | | | | | | | | | | | | | | | | | | | | |
| B | White | 2 | | | | | | | | | | | | | | | | | | | | | | | | | | | | | | |
| C | Black | 3 | | | | | | | | | | | | | | | | | | | | | | | | | | | | | | |
| | | 4 | | | | | | | | | | | | | | | | | | | | | | | | | | | | | | |
| | | 5 | | | | | | | | | | | | | | | | | | | | | | | | | | | | | | |
| | | 6 | | | | | | | | | | | | | | | | | | | | | | | | | | | | | | |
| | | 7 | | | | | | | | | | | | | | | | | | | | | | | | | | | | | | |
| | | 8 | | | | | | | | | | | | | | | | | | | | | | | | | | | | | | |
| | | 9 | | | | | | | | | | | | | | | | | | | | | | | | | | | | | | |
| ③ |  |  | | | | | | | | | | | | | | | | | | | | | | | | | | | | | | |
| ④ |  | <p>Daikin made RS232C Female</p> <p>ダイキン製 メス</p> <table border="0"> <tr><td>A</td><td>Red 赤</td><td>1</td></tr> <tr><td>B</td><td></td><td>2</td></tr> <tr><td>C</td><td>White 白</td><td>3</td></tr> <tr><td></td><td>Black 黒</td><td>4</td></tr> <tr><td></td><td></td><td>5</td></tr> <tr><td></td><td></td><td>6</td></tr> <tr><td></td><td></td><td>7</td></tr> <tr><td></td><td></td><td>8</td></tr> <tr><td></td><td></td><td>Frame</td></tr> <tr><td></td><td></td><td>フレーム</td></tr> </table> | A | Red 赤 | 1 | B | | 2 | C | White 白 | 3 | | Black 黒 | 4 | | | 5 | | | 6 | | | 7 | | | 8 | | | Frame | | | フレーム |
| A | Red 赤 | 1 | | | | | | | | | | | | | | | | | | | | | | | | | | | | | | |
| B | | 2 | | | | | | | | | | | | | | | | | | | | | | | | | | | | | | |
| C | White 白 | 3 | | | | | | | | | | | | | | | | | | | | | | | | | | | | | | |
| | Black 黒 | 4 | | | | | | | | | | | | | | | | | | | | | | | | | | | | | | |
| | | 5 | | | | | | | | | | | | | | | | | | | | | | | | | | | | | | |
| | | 6 | | | | | | | | | | | | | | | | | | | | | | | | | | | | | | |
| | | 7 | | | | | | | | | | | | | | | | | | | | | | | | | | | | | | |
| | | 8 | | | | | | | | | | | | | | | | | | | | | | | | | | | | | | |
| | | Frame | | | | | | | | | | | | | | | | | | | | | | | | | | | | | | |
| | | フレーム | | | | | | | | | | | | | | | | | | | | | | | | | | | | | | |
| ⑤ |  | <p>Daikin made RS232C Female</p> <p>ダイキン製 メス</p> <table border="0"> <tr><td>A</td><td>Red 赤</td><td>1</td></tr> <tr><td>B</td><td></td><td>2</td></tr> <tr><td>C</td><td>White 白</td><td>3</td></tr> <tr><td>D</td><td></td><td>4</td></tr> <tr><td>E</td><td>Black 黒</td><td>5</td></tr> <tr><td></td><td></td><td>6</td></tr> <tr><td></td><td></td><td>7</td></tr> <tr><td></td><td></td><td>8</td></tr> <tr><td></td><td></td><td>Frame</td></tr> <tr><td></td><td></td><td>フレーム</td></tr> </table> | A | Red 赤 | 1 | B | | 2 | C | White 白 | 3 | D | | 4 | E | Black 黒 | 5 | | | 6 | | | 7 | | | 8 | | | Frame | | | フレーム |
| A | Red 赤 | 1 | | | | | | | | | | | | | | | | | | | | | | | | | | | | | | |
| B | | 2 | | | | | | | | | | | | | | | | | | | | | | | | | | | | | | |
| C | White 白 | 3 | | | | | | | | | | | | | | | | | | | | | | | | | | | | | | |
| D | | 4 | | | | | | | | | | | | | | | | | | | | | | | | | | | | | | |
| E | Black 黒 | 5 | | | | | | | | | | | | | | | | | | | | | | | | | | | | | | |
| | | 6 | | | | | | | | | | | | | | | | | | | | | | | | | | | | | | |
| | | 7 | | | | | | | | | | | | | | | | | | | | | | | | | | | | | | |
| | | 8 | | | | | | | | | | | | | | | | | | | | | | | | | | | | | | |
| | | Frame | | | | | | | | | | | | | | | | | | | | | | | | | | | | | | |
| | | フレーム | | | | | | | | | | | | | | | | | | | | | | | | | | | | | | |

<https://daikin-p.ru>

MEMO

<https://daikin-p.ru>

大金工业株式会社

DAIKIN INDUSTRIES, LTD.

总 公 司：大阪市北区中崎西 2 丁目 4-12
梅田中心大厦 (邮政编码：530-8323)
电话：06-6373-4338
传真：06-6373-7297

东京分公司：东京都港区港南 2-18-1
JR 品川东楼 (邮政编码：108-0075)
电话：03-6716-0420
传真：03-6716-0230

Head Office. Umeda Center Bldg., 4-12, Nakazaki-Nishi 2-chome, Kita-ku, Osaka, 530-8323 Japan.

Tel: 06-6373-4338

Fax: 06-6373-7297

Tokyo Office. JR Shinagawa East Bldg., 10F 18-1, Konan 2-chome, Minato-ku Tokyo, 108-0075 Japan.

Tel: 03-6716-0420

Fax: 03-6716-0230