

**DAIKIN**

# ダイキン海上コンテナ冷凍装置

船用集装箱制冷机组

船用集装箱制冷機組

Marine type Container Refrigeration Unit

**サービスガイド・パーツリスト**

維修操作手冊・零部件事表

維修手冊・部品清單

Service Manual · Parts List

オプション機能編・選購件功能編・**選購功能**・Optional Functions

# LXE10E-A45 LXE10E-A45A

**ダイキン工業株式会社**

**大金工業株式会社**

**大金工業株式会社**

**DAIKIN INDUSTRIES, LTD.**

<https://daikin-p.ru>

## Covered Models

Regarding the features and operation of the unit, the service guide describes the items which are different from those of the service manual TR01-09C.

| NO. | Item                                     | Different points from service manual<br>(Maintenance and Repair) |
|-----|--|--|
| 1☆  | G-SET operation                          |  |
| 2☆  | Controller setting                       |  |
| 3☆  | Attaching and removing of gauge manifold | VCS for connecting manifold.                                     |

For the ☆ marked items, refer to the details in the following pages.

## Difference of models

| Model            | LXE10E-A45                          | LXE10E-A45A | Reference page |
|------------------|-------------------------------------|-------------|----------------|
| Revised contents |                                     |             |                |
| Service port     | Quick joint type<br>(Standard type) | Screw type  | 9,10           |

## CONTENTS

### SAFETY PRECAUTIONS

- Danger .....3
- Warning.....4
- Caution.....5

### 1. INTRODUCTION.....1-1

- 1.1 Operation range .....1-1
- 1.2 Basic names of components .....1-1
- 1.3 Basic operation of refrigeration unit .....1-2
  - 1.3.1 Starting operation .....1-2
  - 1.3.2 Checking during operation .....1-3
  - 1.3.3 Procedure after operation.....1-3
  - 1.3.4 Adjust the ventilation .....1-4

### 2. GENERAL DESCRIPTION.....2-1

- 2.1 Main specifications.....2-1
- 2.2 Names of components .....2-2
  - 2.2.1 Outside .....2-2
  - 2.2.2 Inside.....2-5
  - 2.2.3 Control box.....2-7
- 2.3 Set point of functional parts and protection devices.....2-12
- 2.4 Operating pressure and running current ....2-13
- 2.5 Operation modes and control.....2-17
  - 2.5.1 Frozen mode .....2-18
  - 2.5.2 Chilled and partial frozen mode.....2-20
  - 2.5.3 Defrosting mode .....2-22
  - 2.5.4 Dehumidification (Optional) .....2-25
  - 2.5.5 Common control .....2-26

### 3. ELECTRONIC CONTROLLER.....3-1

- 3.1 Function table.....3-1
- 3.2 Basic operation of electronic controller .....3-3
  - 3.2.1 Control panel .....3-3
- 3.3 Operation procedure .....3-6
  - 3.3.1 Operation procedure flow chart .....3-6
  - 3.3.2 Mode operation procedure .....3-9
    - 1. Current (Operation state) indication mode ...3-9
    - 2. Operation setting mode .....3-10
    - 3. Battery mode .....3-11
    - ☆ 4. Mode operation.....3-12
    - 5. LED display light-OFF mode .....3-14
    - 6. Sensor indication mode.....3-15
    - 7. Temperature record scroll mode .....3-18
    - 8. Alarm record scroll mode .....3-21
    - 9. PTI record scroll mode .....3-23
    - 3.3.3 Setting flow chart.....3-24
    - ☆ 10. Optional function setting mode .....3-26
    - 11. Basic function setting mode .....3-27
    - 12. Optional condition setting mode .....3-29
    - 13. Input data mode .....3-31
    - 14. Controller software download mode...3-32

- 3.4 Alarm display and back-up function .....3-33
  - 3.4.1 Alarm list.....3-33
  - 3.4.2 Back-up operation at sensor malfunction...3-34
- 3.5 Back up Battery .....3-36

- 3.5.1 Specifications .....3-36

- 3.5.2 Function.....3-36

- 3.5.3 Battery check  
(When using optional rechargeable battery) ...3-36

- 3.5.4 Battery replacement  
(Rechargeable battery) .....3-37

- 3.6 Information interchange with personal computer...3-38

- 3.6.1 Data logging .....3-39

- 3.6.2 Software configuration.....3-40

- 3.7 Inspection procedure for the electronic controller .....3-42

- 3.8 Controller replacement and the initial setting...3-43

- 3.8.1 Controller replacement .....3-43

- 3.8.2 Compatibility of controller DECOS III d with III c and III b .....3-44

- 3.8.3 LXE10E-1, LXE10E-A & LXE10D Initial setting procedure  
(for spare controller of DECOS III d, DECOS III c & DECOS III b) .....3-46

- 3.8.4 LXE10E-1 & LXE10E-A Initial setting table into spare controller DECOS III d .....3-47

- 3.8.5 LXE10E-A Initial setting table into spare controller DECOS III c .....3-48

- 3.8.6 LXE10D Initial setting table into spare controller DECOS III b .....3-49

- 3.9 PTI (Pre-Trip Inspection) and periodic inspection ...3-50

- 3.9.1 Inspection item .....3-51

- 3.9.2 Automatic PTI (Pre-Trip Inspection) ....3-54

- 3.9.2.1 PTI selection mode.....3-55

- 3.9.2.2 Short PTI (S.PTI) .....3-56

- 3.9.2.3 Full PTI (F.PTI) .....3-57

- 3.9.2.4 Alarm list during PTI  
(Pre-Trip Inspection).....3-58

- 3.9.2.5 Manual check (M.CHECK) .....3-59

- 3.10 Chartless function .....3-61

- 3.10.1 Chart indication function.....3-61

- 3.10.2 P code (Pull down time indication) ....3-63

- 3.10.3 Chartless code display function.....3-64

- 3.10.3.1 List of chartless code.....3-64

- 3.10.3.2 H-code.....3-65

- 3.10.3.3 d-code: .....3-67

- 3.11 Communication modem .....3-68

### 4. SERVICE AND MAINTENANCE.....4-1

- 4.1 Maintenance service .....4-1

- ☆ 4.1.1 Collection of refrigerant .....4-1

- ☆ 4.1.2 Gauge manifold.....4-1

- 4.1.3 Automatic pump down.....4-3

- 4.1.4 Refrigerant recovery and charge.....4-5

- 4.2 Main components and maintenance .....4-8

- 4.2.1 Scroll compressor.....4-8

- 4.2.2 Fan and fan motor .....4-12

- 4.2.3 PT and CT board (EC9756) .....4-13

- 4.2.4 Electronic expansion valve .....4-15



## CONTENTS





|  |            |  |      |
|--|------------|--|------|
| 4.2.5 Suction modulation valve .....   | 4-16       | ☆ 7.10 Piping diagram .....  | 7-5  |
| 4.2.6 Drier .....  | 4-17       | 7.11 Electric wiring pilot lamps and monitoring circuit .....  | 7-6  |
| 4.2.7 Solenoid valve .....   | 4-18       | 7.12 Fuse protection table .....   | 7-7  |
| 4.2.8 Discharge pressure regulating valve .....  | 4-19       | 7.13 Schematic wiring diagram (Connector type terminal board and rechargeable battery) .....                     | 7-9  |
| 4.2.9 Check valve .....  | 4-19       | 7.14 Stereoscopic wiring diagram (Connector type terminal board and rechargeable battery) .....                  | 7-10 |
| 4.2.10 High-pressure switch (HPS) .....  | 4-20       | 7.15 Schematic wiring diagram (Connector type terminal board, temperature recorder and dry battery) .....        | 7-11 |
| 4.2.11 Low pressure transducer (LPT) .....   | 4-20       | ☆ 7.16 Stereoscopic wiring diagram (Connector type terminal board, temperature recorder and dry battery) .....   | 7-12 |
| 4.2.12 High pressure transducer (HPT) .....  | 4-21       | 7.17 Schematic wiring diagram (Screwed clamp type terminal board, temperature recorder and dry battery) .....    | 7-13 |
| 4.2.13 Air-cooled condenser and evaporator .....   | 4-21       | 7.18 Stereoscopic wiring diagram (Screwed clamp type terminal board, temperature recorder and dry battery) ..... | 7-14 |
| 4.2.14 Fusible plug .....  | 4-21       |  |      |
| 4.2.15 Liquid/moisture indicator .....   | 4-22       |  |      |
| 4.2.16 Evacuation and dehydrating .....  | 4-23       |  |      |
| <b>5. OPTIONAL DEVICES .....</b>   | <b>5-1</b> |  |      |
| 5.1 Electronic temperature recorder .....  | 5-1        |  |      |
| 5.1.1 Standard type .....  | 5-1        |  |      |
| 5.1.2 Rechargeable battery type .....  | 5-3        |  |      |
| 5.2 USDA transportation .....  | 5-4        |  |      |
| 5.2.1 Type of USDA sensor/receptacle .....   | 5-4        |  |      |
| 5.2.2 Initial setting .....  | 5-4        |  |      |
| 5.2.3 USDA sensor calibration .....  | 5-4        |  |      |
| 5.2.4 USDA transportation requirement .....  | 5-4        |  |      |
| 5.2.5 USDA report required by USDA local officer .....   | 5-4        |  |      |
| 5.3 TransFRESH .....   | 5-6        |  |      |
| <b>6. TROUBLESHOOTING .....</b>  | <b>6-1</b> |  |      |
| 6.1 Refrigeration system and electrical system .....   | 6-1        |  |      |
| 6.2 Alarm codes on electronic controller .....   | 6-13       |  |      |
| 6.3 Troubleshooting for automatic PTI (J-code) .....   | 6-17       |  |      |
| 6.4 Diagnosis based on the recording chart .....   | 6-19       |  |      |
| 6.5 Emergency operation .....  | 6-22       |  |      |
| 6.5.1 Emergency operation of controller .....  | 6-22       |  |      |
| 6.5.2 Short circuit operation of controller .....  | 6-23       |  |      |
| 6.5.3 Opening adjustment of electronic expansion valve .....   | 6-25       |  |      |
| 6.5.4 Opening adjustment of suction modulation valve: .....  | 6-26       |  |      |
| 6.5.5 Automatic Back up for supply/ return air temperature sensors .....   | 6-27       |  |      |
| <b>7. APPENDIX .....</b>   | <b>7-1</b> |  |      |
| 7.1 Standard tightening torques for bolts .....  | 7-1        |  |      |
| 7.2 Standard tightening torque for flare nut .....   | 7-1        |  |      |
| 7.3 Resistance of motor coil and solenoid valve coil .....   | 7-1        |  |      |
| 7.4 Standard tightening torque for electronic expansion valve coil (EV) .....  | 7-1        |  |      |
| 7.5 HFC134a, temperature-vapor pressure characteristics table .....  | 7-2        |  |      |
| 7.6 Temperature conversion table and temperature sensor (SS/RS/DSS/DRS/RSS/RRS/EIS/EOS/SGS/AMBS) characteristics table ..... | 7-3        |  |      |
| 7.7 Temperature conversion table and temperature sensor (DCHS) characteristics table .....                                   | 7-4        |  |      |
| 7.8 High pressure transducer characteristics table .....   | 7-4        |  |      |
| 7.9 Low pressure transducer characteristics table .....  | 7-4        |  |      |

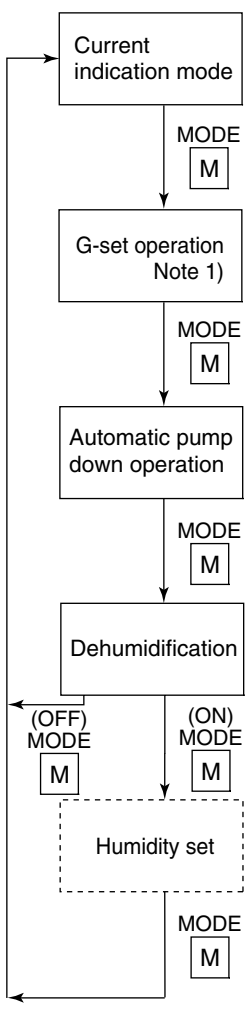

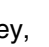




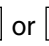
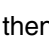

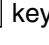
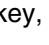
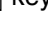
# CONTENTS

|  |           |
|--|-----------|
| <b>1. G-set operation</b>                          | <b>5</b>  |
| <b>2. Controller setting</b>                       | <b>6</b>  |
| 2.1 Setting flow chart                             | 6         |
| 2.2 Basic function setting mode                    | 8         |
| <b>3. Attaching and removing of manifold gauge</b> | <b>10</b> |
| 3.1 Collection of refrigerant                      | 10        |
| 3.2 Attaching and removing of manifold gauge       | 10        |
| <b>4. APPENDIX</b>                                 | <b>13</b> |
| 4.1 Piping diagram                                 | 13        |
| 4.2 Wiring diagram                                 | 14        |
| 4.3 Stereoscopic wiring diagram                    | 15        |

## 1. G-SET operation

In this model, 12(kVA) is set initially.

- ① Press the MODE  key.
  - ② Select "11", "12", "13", "14", "15" (kVA) or "OFF" indicated on the LED display using the  key or the  key, and press the  key to determine the setting, then the energy saving operation starts so that the energy consumption is saved to be the selected value (kVA) or lower.
- ※ If "OFF" is pressed in the procedure ② above, the energy saving operation will be cancelled.
- ※ If the power supply is turned off when the setting mode is set to exception of 12(kVA), the setting is returned to 12(kVA) automatically.
- ※ Even though the value is expressed in kVA, this is actually a value in kW.

| Setting item   | LED panel                            | LCD panel | Setting method  |
|--|--------------------------------------|-----------|---|
|  | —                                    | —         | —   |
| G-set operation<br>Note 1)   | OFF, 11, 12, 13, 14, 15<br>unit: kVA | G-SET     | Select the energy saving set point by using  or  key, and press the  key to determine the setting. |
| Automatic pump down operation  | ON, OFF                              | P down    | Select "ON" by using  key and  key, and press the  key to determine the setting.                   |
| Dehumidification   | ON/OFF                               | dHu       | Select desired setting by  or  key, then press  key.   |
| Humidity set   | 95% RH~60% RH                        | SET-SHU   | Select desired setting by  key or  key, then press  key to determine.                              |

Note 1) If the power supply is turned off in the G-set mode, the mode is cancelled 30 minutes from when power was lost.

## 2. Controller setting

### 2.1 Setting flow chart

This configuration setting flow shall be utilized, when

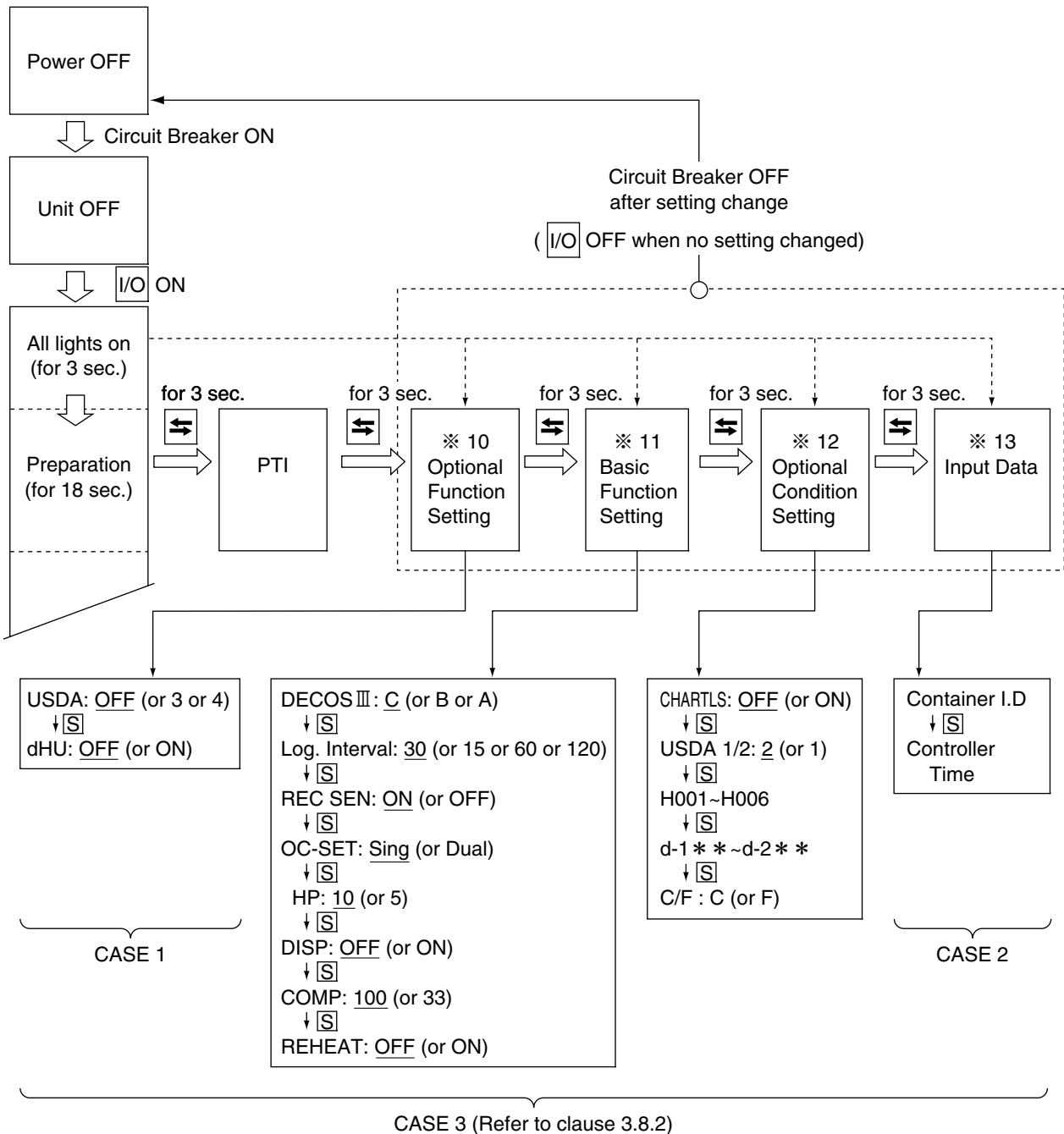
CASE 1) USDA transportation setting is required (※10 Optional Function Setting)

CASE 2) Container ID shall to be subjected to change from another container for emergency use.  
(※13 Container ID & Time Setting)

CASE 3) Controller is replaced to new one. (All setting in ※10-13 should be set on page 3-25.)

NOTE 1 : All initial settings are pre-setted, when the unit is delivered.

2 : In case to complete the setting change, CIRCUIT BREAKER shall be turned off



## Controller initial setting

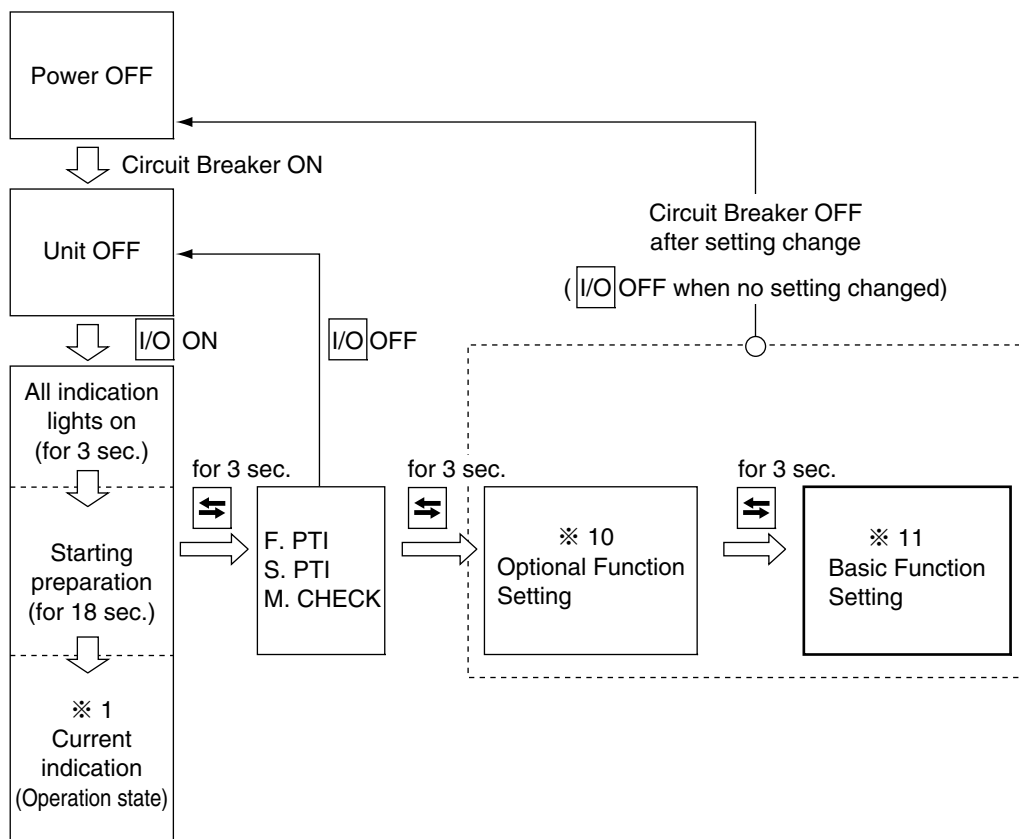
|   |  |       |           |
|---|--|-------|-----------|
| <b>※10. Optional function mode</b>          |  |       |           |
| ●USDA sensor setting                        |  |       | Page 3-26 |
| ●Dehumidification control on/off setting    |  |       |           |
| <b>※11. Basic function setting mode</b>     |  |       |           |
| ●Controller type                            | ●Logging interval                                      |       | Page 3-27 |
| ●Compressor unload                          | ●Data recorder sensor on/off                           |       | Page 3-28 |
| ●Reheat coil                                | ●Power supply  |       |           |
|   | ●Compressor horse power                                |       |           |
|   | ●Indication (LED section) light off function<br>on/off |       |           |
| <b>※12. Optional condition setting mode</b> |  |       |           |
| ●Chartless function setting                 | ●H001  | ●d1-- | Page 3-29 |
| ●Type of USDA sensor                        | ●H002  | ●d2-- | Page 3-30 |
| ●°C/°F set                                  | ●H003  | ●d3-- | Page 3-31 |
|   | ●H004  | ●d-1- |           |
|   | ●H005  | ●d-2- |           |
|   | ●H006  |       |           |
| <b>※13. Input data mode</b>                 |  |       |           |
| IContainer I.D. (No.)                       |  |       | Page 3-31 |
| IController time                            |  |       | Page 3-32 |

## Personal computer and controller

|  |  |  |           |
|--|--|--|-----------|
| <b>※14. Controller software download mode</b>  |  |  |           |
| Data logged in a personal computer and controller is exchangeable.<br>For the details, refer to the "Operation manual for personal computer software". |  |  | Page 3-32 |

## 2.2 BASIC FUNCTION SETTING MODE

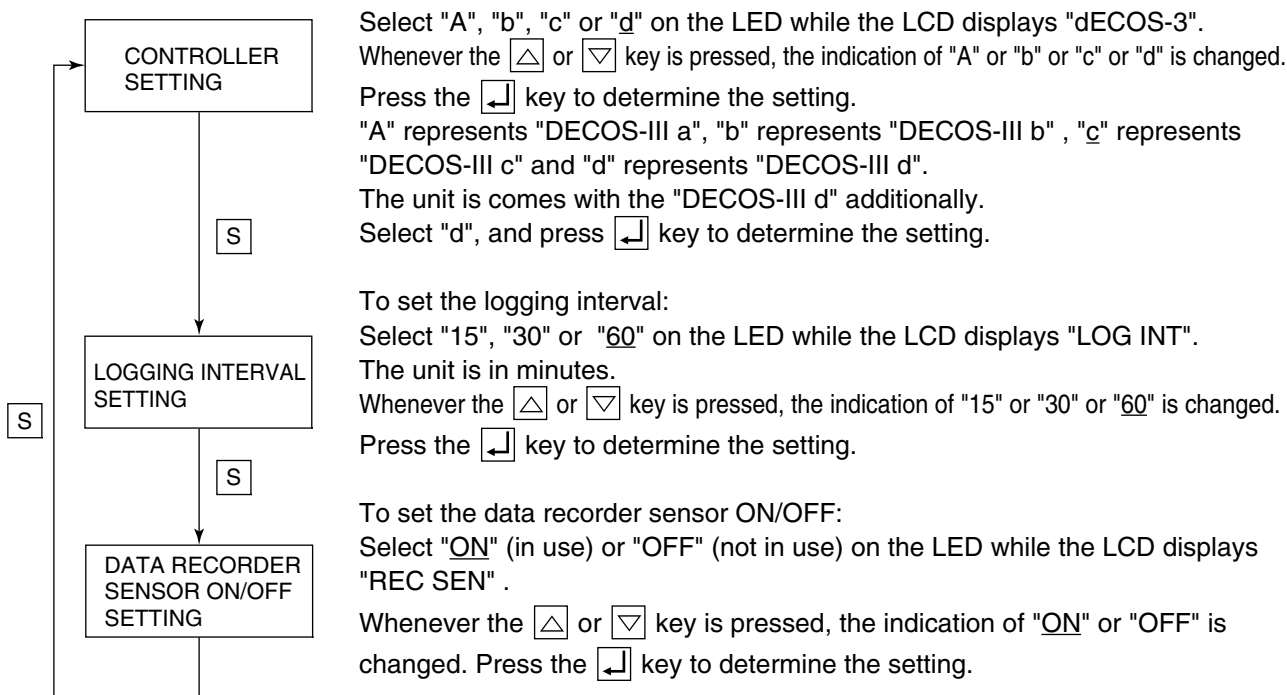
### <Key operation to enter/exit>

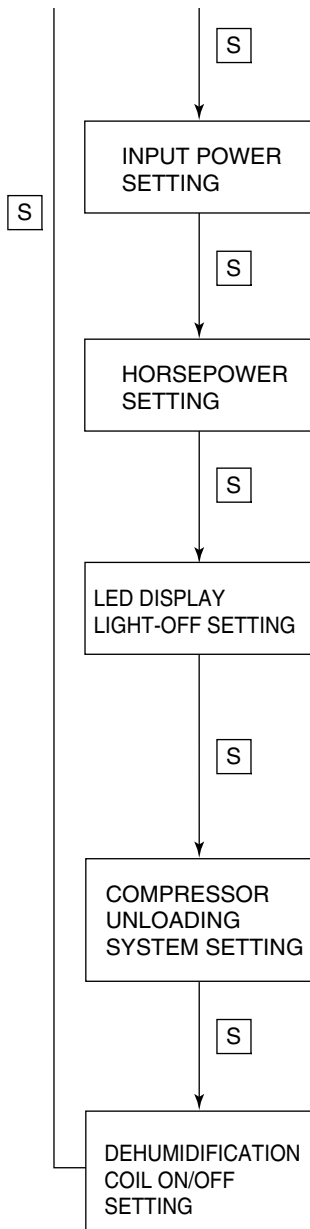


### <Key operation in this mode>

Whenever the **[S]** key is pressed, the display changes.

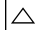


Turn the power breaker OFF after the setting.






To set the power input:

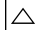

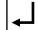
Select "Sing" or "dUAL" on the LED when the LCD displays "OC-SET" .

Whenever the  or  key is pressed, the indication of "Sing" or "dUAL" is changed. Press the  key to determine the setting.

For the unit, select "Sing", and press  key to determine the setting.




To set the horse power setting:

Select "5" or "10" on the LED when the LCD displays "HP" (Horse power).

Whenever the  or  key is pressed, the indication of "5" or "10" is changed. Press the  key to determine the setting.

To set the "panel (LED) lighting off" function ON/OFF:



Select "ON" (provided) or "OFF" (not provided) on the LED when the LCD displays "dISP" .

Whenever the  or  key is pressed, the indication of "ON" or "OFF" is changed. Press the  key to determine the setting.

Note: When the 0/CHART key is pressed twice when the "panel (LED) lighting off" function is ON, the lights on the LED panel are turned off.

To set the compressor unloading system:




Select "33 (provided)" or "100 (not provided)" on the LED when the LCD displays "COMP".

Whenever the  or  key is pressed, the indication of "33" or "100" is changed.

Note: This "33" setting is applicable for LXE10D type only.

To set the dehumidification coil ON/OFF:

Select "ON (provided)" or "OFF (not provided)" on the LED when the LCD displays "REHEAT".

Whenever the  or  key is pressed, the indication of "ON" or "OFF" is changed. Press the  key to determine the setting

### 3. Attaching and removing of manifold gauge

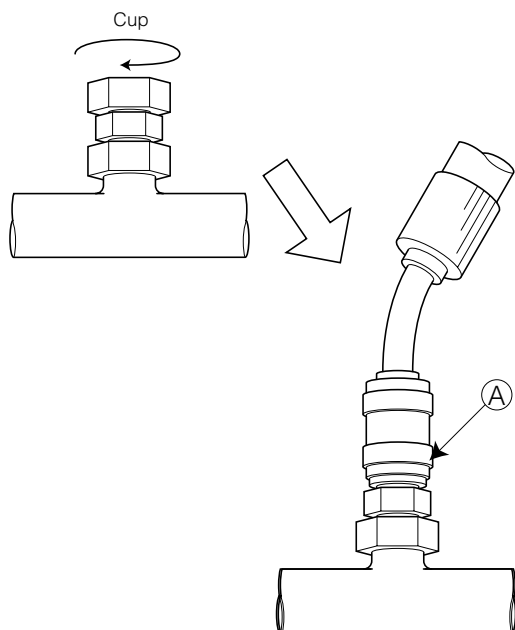
#### 3.1 Collection of refrigerant

- ① When release the refrigerant from the refrigerant system, be sure to use a refrigerant recovery unit to protect the ozone layer around the earth from depletion.
- ② Observe strictly all the environmental laws relating with to the country where the repair service is conducted.

#### 3.2 Attaching and removing of manifold gauge(Screw type)

##### (1) Attaching the gauge manifold

Remove the service port cap using 2 spanner and attach the charging hose to service port, then turn the part (A) by hand to tighten.

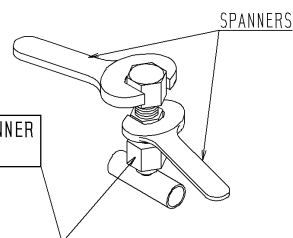


##### CAUTION FOR USAGE OF SERVICE PORT CAP

- WHEN THE SERVICE PORT CAPS HAVE TO BE REMOVED OR TIGHTENED, BE SURE TO USE 2 SPANNERS.
- TO TIGHTEN THE SERVICE PORT CAPS, USE BELOW MENTIONED TORQUE TO PREVENT GAS LEAKAGE.

TORQUE VALUE :  $12.7\text{N} \cdot \text{m} \pm 10\%$

DON'T PUT THE SPANNER ONTO THIS SEAT!!



## CAUTION

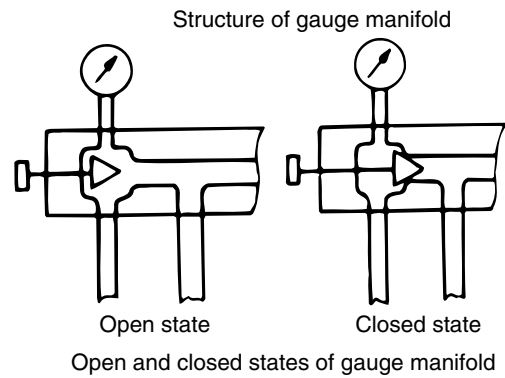
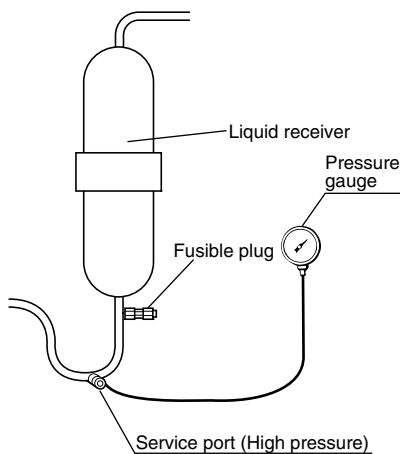
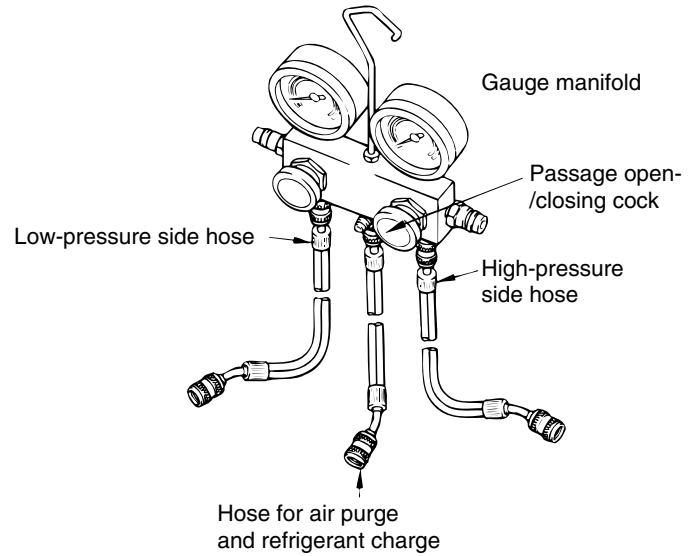
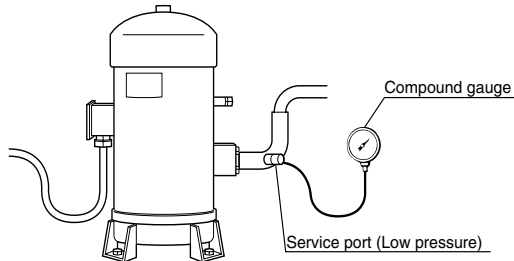
1. Use the pressure indicating function of the controller to check the working pressure as much as possible instead of using the gauge manifold in order to prevent foreign particles or moisture from mixing into the refrigerant system.
2. Do not use any of the pressure gauge, gauge manifold, charge hose and charging cylinder which have been used for CFC12 in order to prevent refrigerant or refrigerant oil of a different kind from mixing.

Note: Refer page 4-1 of TR01-09C for attaching and removing of manifold gauge on quick joint type service port.



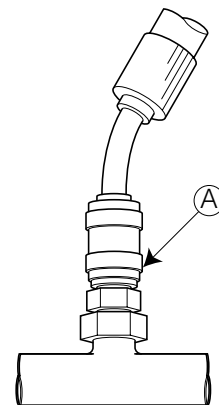
● Caution on the service work

- ① Be sure not to bend the refrigerant pipe when turning the hose joint.
- ② The remaining pressure in the charge hose may cause installation failure. In this case, try it again after relieving the pressure in the hose.



(2) Removal of gauge manifold

Remove the gauge manifold with turning the joint Ⓐ by hand.



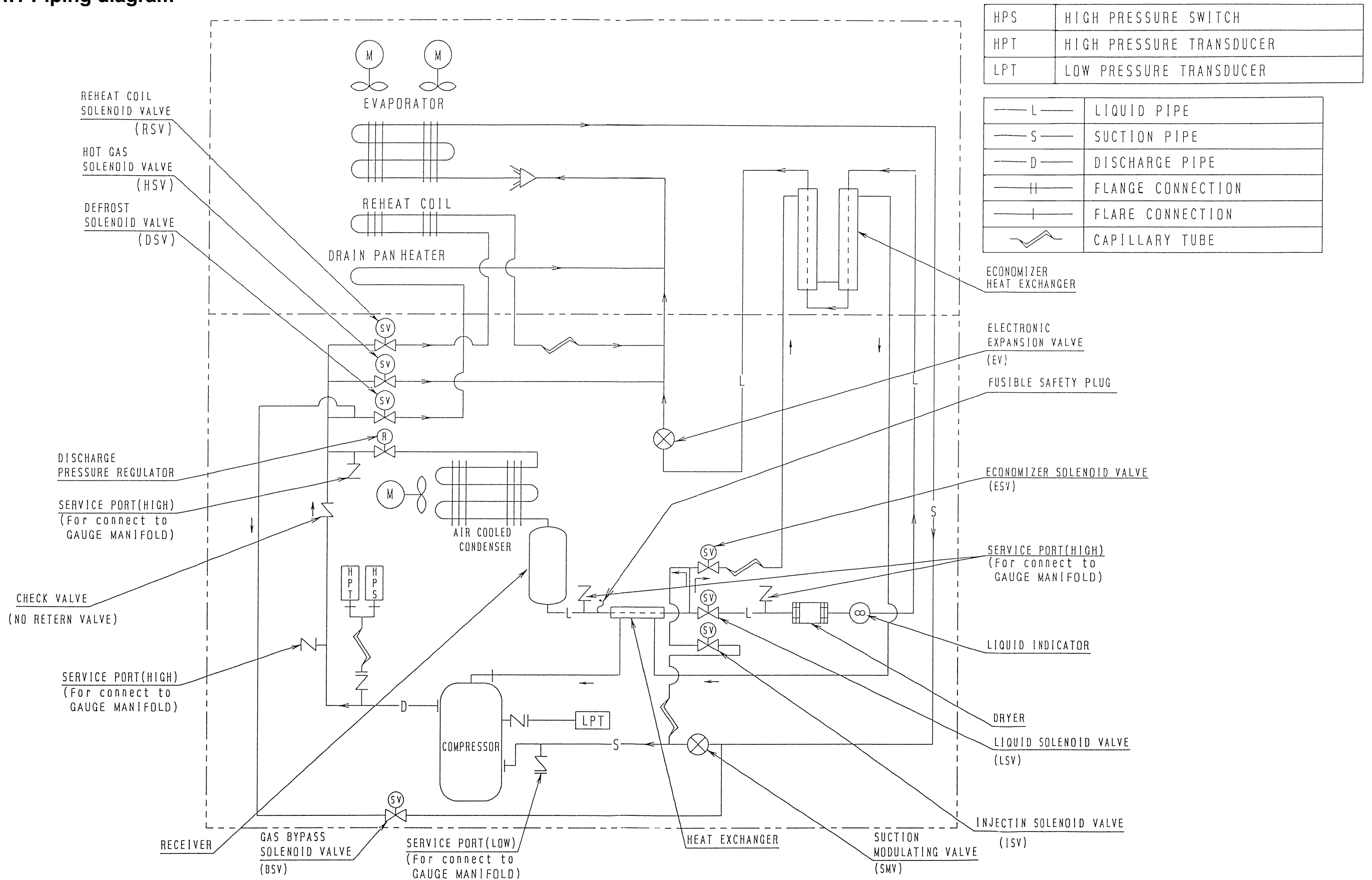
**CAUTION**

Be sure to attach the cap to the service port after the removal of the manifold.

<https://daikin-p.ru>

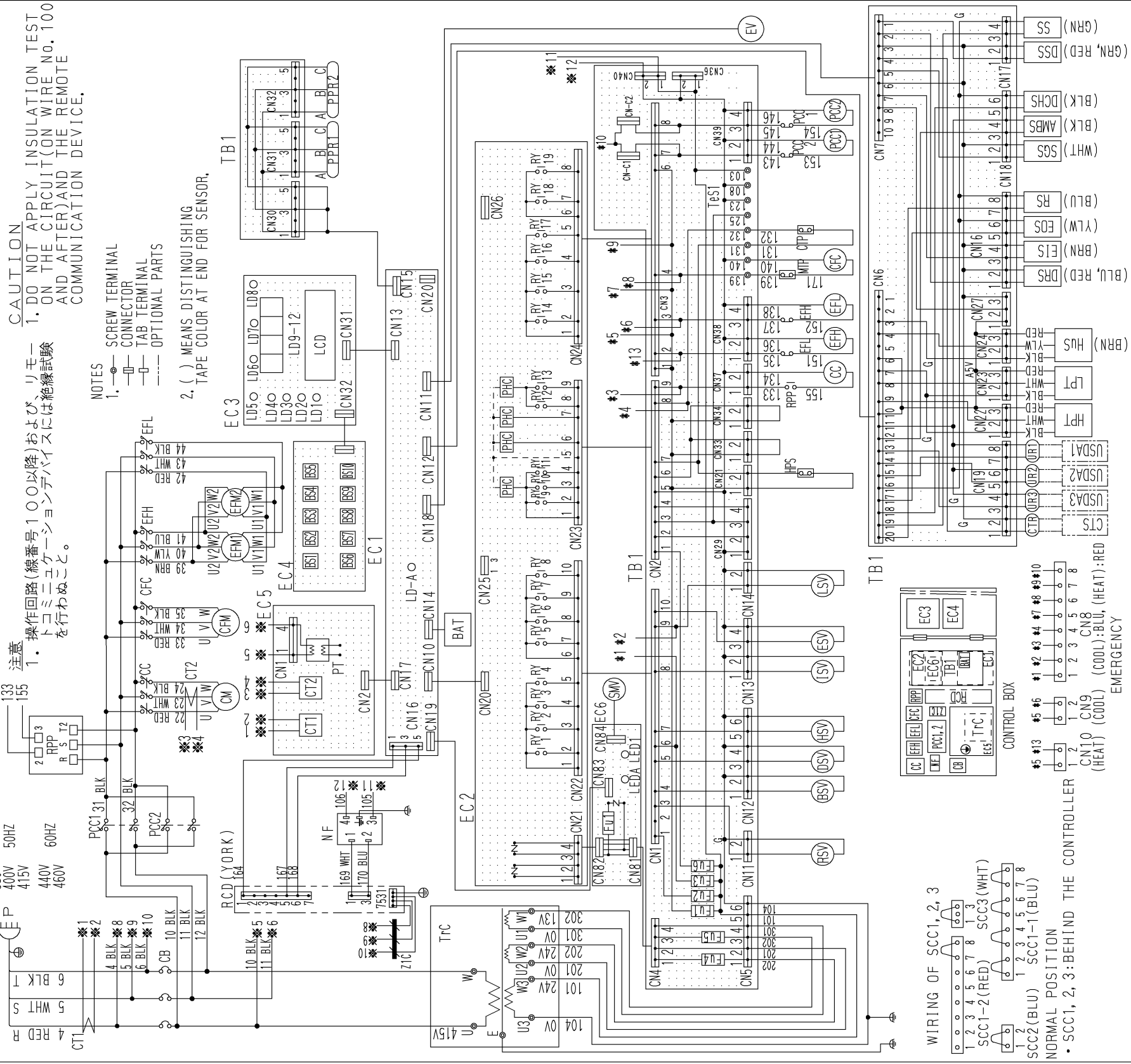
## 4. APPENDIX

### 4.1 Piping diagram



4.2 Wiring diagram

CONTAINER REFRIGERATION UNIT WIRING DIAGRAM



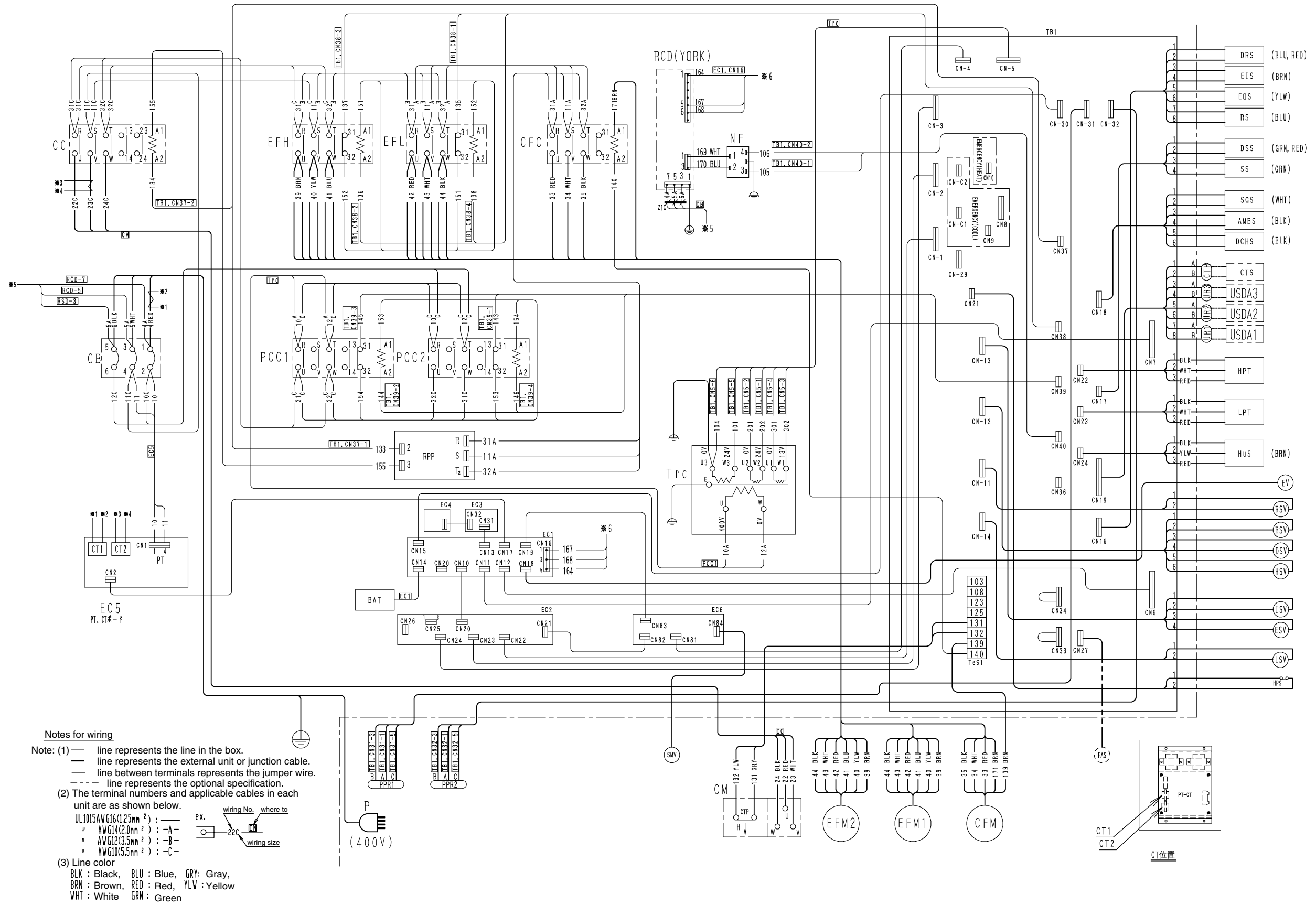
**CAUTION**  
1. DO NOT APPLY INSULATION TEST ON THE CIRCUIT (ON WIRE No. 100 AND AFTER) AND THE REMOTE COMMUNICATION DEVICE.

- NOTES**
- SCREW TERMINAL CONNECTOR TAB TERMINAL OPTIONAL PARTS
  - ( ) MEANS DISTINGUISHING TAPE COLOR AT END FOR SENSOR.

**WIRING OF SCC1, 2, 3**  
SCC1-2 (RED) SCC3 (WHT)  
SCC2 (BLU) SCC1-1 (BLU)  
• SCC1, 2, 3: BEHIND THE CONTROLLER NORMAL POSITION

|        |                                 |         |                                     |            |                                 |         |                                    |
|--------|---------------------------------|---------|-------------------------------------|------------|---------------------------------|---------|------------------------------------|
| AMBS   | AMBIENT TEMP. SENSOR            | EFH     | HIGH SPEED EVAPORATOR FAN CONTACTOR | LD7        | LIGHT-EMITTING DIODE (IN RANGE) | SMV     | SUCTION MODULATING VALVE           |
| BAT    | BATTERY                         | EFL     | LOW SPEED EVAPORATOR FAN CONTACTOR  | LD8        | LIGHT-EMITTING DIODE (DE-HUMID) | SS      | SUPPLY AIR SENSOR                  |
| BSV    | GAS BYPASS SOLENOID VALVE       | EFM1, 2 | EVAPORATOR FAN MOTOR                | LD9-12     | LIGHT-EMITTING DIODE            | TBI     | TERMINAL BOARD                     |
| BST-10 | PUSH BUTTON SWITCH              | EIS     | EVAPORATOR INLET SENSOR             | LEDA       | SERVICE MONITOR-GREEN (EC6)     | TTC     | CONTROL TRANSFORMER                |
| CB     | CIRCUIT BREAKER (30A)           | EOS     | EVAPORATOR OUTLET SENSOR            | LED1       | LIGHT-EMITTING DIODE (EC6)      | URT-3   | USDA RECEPTACLE                    |
| CC     | COMPRESSOR CONTACTOR            | ESV     | ECONOMIZER SOLENOID VALVE           | LPT        | LOW PRESSURE TRANSDUCER         | Z1C     | FERRITE CORE                       |
| CFC    | CONDENSER FAN CONTACTOR         | EV      | ELECTRONIC EXPANSION VALVE          | LSV        | LIQUID SOLENOID VALVE           |         |                                    |
| CFM    | CONDENSER FAN MOTOR             | FU1-6   | FUSE (250V, 10A) (TBI)              | MTP        | COND. MOTOR THERMAL PROTECTOR   |         |                                    |
| CM     | COMPRESSOR MOTOR                | FU1     | FUSE (250V, 5A) (EC6)               | NF         | NOISE FILTER                    |         |                                    |
| CT1, 2 | CURRENT TRANSFORMER             | HPS     | HIGH PRESSURE SWITCH                | P          | POWER PLUG                      |         |                                    |
| CTP    | COMPRESSOR THERMAL PROTECTOR    | HPT     | HIGH PRESSURE TRANSDUCER            | PCC1, 2    | PHASE CORRECTION CONTACTOR      |         |                                    |
| CTR    | CARGO TEMP. RECEPTACLE          | HSV     | HOT GAS SOLENOID VALVE              | PHC        | PHOTO COUPLER                   |         |                                    |
| DCHS   | COMPRESSOR DISCHARGE SENSOR     | HuS     | HUMIDITY SENSOR                     | PPR1, 2    | PC PORT RECEPTACLE              |         |                                    |
| DRS    | DATA RECORDER RETURN AIR SENSOR | ISV     | INJECTION SOLENOID VALVE            | PT         | POTENTIAL TRANSFORMER           |         |                                    |
| DSS    | DATA RECORDER SUPPLY AIR SENSOR | LCD     | LIQUID CRYSTAL DISPLAY              | RPP        | REVERSE PHASE PROTECTOR         |         |                                    |
| DSV    | DEFROST SOLENOID VALVE          | LD-A    | SERVICE MONITOR-GREEN (EC1)         | RS         | RETURN AIR SENSOR               | CTS     | CARGO TEMP. SENSOR                 |
| EC1    | CPU BOARD (DECOS)               | LD1     | LIGHT-EMITTING DIODE (R, H.)        | RSV        | REHEAT COIL SOLENOID VALVE      | RCD     | REMOTE COMMUNICATION DEVICE (YORK) |
| EC2    | I/O BOARD (DECOS)               | LD2     | LIGHT-EMITTING DIODE (ALARM)        | RY1-19     | RELAY                           | USDA1-3 | USDA SENSOR                        |
| EC3    | DISPLAY BOARD (DECOS)           | LD3     | LIGHT-EMITTING DIODE (RETURN)       | SCC1-1, -2 | SHORT CIRCUIT CONNECTOR         |         |                                    |
| EC4    | SHEET KEY (DECOS)               | LD4     | LIGHT-EMITTING DIODE (SUPPLY)       | SCC2       | SHORT CIRCUIT CONNECTOR         |         |                                    |
| EC5    | PRINTED CIRCUIT BOARD (PT, CT)  | LD5     | LIGHT-EMITTING DIODE (COMP)         | SCC3       | SHORT CIRCUIT CONNECTOR         |         |                                    |
| EC6    | ADAPTER BOARD                   | LD6     | LIGHT-EMITTING DIODE (DEFROST)      | SGS        | SUCTION GAS SENSOR              |         |                                    |

## 4.3 Stereoscopic wiring diagram



<https://daikin-p.ru>

## 刊登的机型

此维修操作手册在本装置的特点以及操作维护方面，仅针对与维修操作手册（维修篇 TR 02-04B）不同的事项进行了说明。

| 编号  | 项 目         | 与维修操作手册（维修篇）的不同点 |
|-----|-------------|------------------|
| 1 ☆ | G-set 运行    |                  |
| 2 ☆ | 控制设定        |                  |
| 3 ☆ | 压力表接头的安装，拆卸 | 压力表接头连接用 VCS     |

标有☆的项目将在下一页以后进行详细说明。

## 各型号不同点

| 不同点 \ 型号 | LEXE10E-A45 | LXE10E-A45A | 参考页面   |
|----------|-------------|-------------|--------|
| 维修端口     | 快速接头式       | 螺杆式         | 25, 26 |

|  |      |
|--|------|
| 安全注意事项   |      |
| • 危险事项   | 4    |
| • 警告事项   | 5    |
| • 注意事项   | 6    |
| 1. 前言  | 1-1  |
| 1.1 运行范围   | 1-1  |
| 1.2 部件基本名称   | 1-1  |
| 1.3 制冷机组的基本操作  | 1-2  |
| 1.3.1 启动操作   | 1-2  |
| 1.3.2 机组运行下的检查   | 1-3  |
| 1.3.3 机组运行后的操作步骤   | 1-3  |
| 1.3.4 调节通风窗  | 1-4  |
| 2. 概述  | 2-1  |
| 2.1 主要规格参数   | 2-1  |
| 2.2 部件名称   | 2-2  |
| 2.2.1 外部   | 2-2  |
| 2.2.2 内部   | 2-5  |
| 2.2.3 控制箱  | 2-7  |
| 2.3 功能部件的设定及保护装置   | 2-12 |
| 2.4 运行压力及运行电流  | 2-13 |
| 2.5 运行模式与控制  | 2-17 |
| 2.5.1 冷冻运行   | 2-18 |
| 2.5.2 冷藏与部分冷冻模式  | 2-20 |
| 2.5.3 除霜运行模式   | 2-22 |
| 2.5.4 除湿模式(选项)   | 2-25 |
| 2.5.5 常规控制   | 2-26 |
| 3. 电子控制器   | 3-1  |
| 3.1 功能   | 3-1  |
| 3.2 电子控制器的基本操作   | 3-3  |
| 3.2.1 控制面板   | 3-3  |
| 3.3 操作步骤   | 3-6  |
| 3.3.1 操作步骤流程图  | 3-6  |
| 3.3.2 模式转换的操作步骤  | 3-9  |
| 1. 当前(运行状态)显示模式  | 3-9  |
| 2. 运行设定模式  | 3-10 |
| 3. 电池模式  | 3-11 |
| ☆ 4. 模式转换操作  | 3-12 |
| 5. LED显示熄灭模式   | 3-14 |
| 6. 传感器显示模式   | 3-15 |
| 7. 温度记录滚动模式  | 3-18 |
| 8. 报警记录滚动模式  | 3-21 |
| 9. PTI记录滚动模式   | 3-23 |
| 3.3.3 设定流程图  | 3-24 |
| ☆ 10. 选项功能设定模式   | 3-26 |
| 11. 基本功能设定模式   | 3-27 |
| 12. 选项条件设定模式   | 3-29 |
| 13. 输入数据模式   | 3-31 |
| 14. 控制器软件下载模式  | 3-32 |
| 3.4 报警显示与备用功能  | 3-33 |
| 3.4.1 报警列表   | 3-33 |
| 3.4.2 传感器出故障时的备用运行   | 3-34 |
| 3.5 备用电池   | 3-36 |
| 3.5.1 规格   | 3-36 |
| 3.5.2 功能   | 3-36 |
| 3.5.3 电池检查   | 3-36 |
| 3.5.4 更换电池(充电式电池)  | 3-37 |
| 3.6 与个人电脑进行信息交换  | 3-38 |
| 3.6.1 数据记录   | 3-39 |
| 3.6.2 软件配置   | 3-40 |
| 3.7 电子控制器的检查步骤   | 3-42 |
| 3.8 控制器更换与初始设定   | 3-43 |
| 3.8.1 控制器更换  | 3-43 |
| 3.8.2 控制器DECOSIII d和DECOSIII c及DECOSIII b的互换性                                    | 3-44 |
| 3.8.3 LXE10E-1,LXE10E-A&LXE10D备用控制器DECOS III d、DECOS III c和DECOS III b更换时的初始设定步骤 | 3-46 |
| 3.8.4 LXE10E-1&LXE10E-A备用控制器DECOS III d的初始设定表                                    | 3-47 |
| 3.8.5 LXE10E-A备用控制器DECOS III c的初始设定表   | 3-48 |
| 3.8.6 LXE10D备用控制器DECOS III b的初始设定表   | 3-49 |
| 3.9 PTI(航行前检查)及定期检查  | 3-50 |
| 3.9.1 检查项目   | 3-51 |
| 3.9.2 自动PTI(航行前检查)   | 3-54 |
| 3.9.2.1 PTI选择模式  | 3-55 |
| 3.9.2.2 短PTI(S.PTI)  | 3-56 |
| 3.9.2.3 长PTI(F.PTI)  | 3-57 |
| 3.9.2.4 PTI(航行前检查)期间的报警清单  | 3-58 |
| 3.9.2.5 手动检查(M.CHECK)  | 3-59 |
| 3.10 温度曲线显示功能  | 3-61 |
| 3.10.1 图表显示模式  | 3-61 |
| 3.10.2 P代码(全制冷时间显示)  | 3-63 |
| 3.10.3 温度曲线显示代码显示功能  | 3-64 |
| 3.10.3.1 温度曲线显示代码列表  | 3-64 |
| 3.10.3.2 H-代码  | 3-65 |
| 3.10.3.3 d-代码  | 3-67 |
| 3.11 通信调制解调器   | 3-68 |
| 4. 维修和维护   | 4-1  |
| 4.1 维护   | 4-1  |
| 4.1.1 冷媒的收集  | 4-1  |
| 4.1.2 压力表接头  | 4-1  |
| 4.1.3 自动抽真空  | 4-3  |
| 4.1.4 冷媒净化和加注  | 4-5  |
| 4.2 主要部件及其维护   | 4-8  |
| 4.2.1 涡旋式压缩机   | 4-8  |
| 4.2.2 风扇及风扇马达  | 4-12 |
| 4.2.3 PT和CT板(EC9756)   | 4-13 |
| 4.2.4 电子膨胀阀  | 4-15 |
| 4.2.5 吸气调节阀  | 4-16 |
| 4.2.6 干燥器  | 4-17 |
| 4.2.7 电磁阀  | 4-18 |
| 4.2.8 排出压力调节阀  | 4-19 |
| 4.2.9 止回阀  | 4-19 |
| 4.2.10 高压开关(HPS)   | 4-20 |
| 4.2.11 低压传感器(LPT)  | 4-20 |
| 4.2.12 高压传感器(HPT)  | 4-21 |
| 4.2.13 风冷式冷凝器和蒸发器  | 4-21 |
| 4.2.14 可熔塞   | 4-21 |
| 4.2.15 视液镜   | 4-22 |
| 4.2.16 真空脱水  | 4-23 |



|  |      |                             |      |
|--|------|-----------------------------|------|
| 5. 可选装置 .....  | 5-1  | 8.2.8 G-set运行2 .....        | 8-32 |
| 5.1 电子温度记录器 .....  | 5-1  | 8.2.9 阀门模式 .....            | 8-33 |
| 5.1.1 标准型 .....  | 5-1  | 8.2.10 除湿控制 .....           | 8-35 |
| 5.1.2 充电电池型 .....  | 5-3  | 8.2.11 手动检查选择模式 .....       | 8-39 |
| 5.2 USDA运输 .....   | 5-4  | 8.2.12 F.PTI规格 .....        | 8-40 |
| 5.2.1 USDA传感器/插孔的类型 .....  | 5-4  | 8.2.13 充电电池 .....           | 8-42 |
| 5.2.2 初始设定 .....   | 5-4  | 8.3 控制箱 .....               | 8-43 |
| 5.2.3 USDA传感器的校正 .....   | 5-4  | 8.3.1 控制箱内置电脑插孔、备用保险丝 ..... | 8-43 |
| 5.2.4 USDA运输要求 .....   | 5-4  | 8.3.2 电缆线夹具1 .....          | 8-44 |
| 5.2.5 USDA报告 .....   | 5-4  | 8.3.3 电缆线夹具2 .....          | 8-45 |
| 5.3 TransFRESH(保鲜运输) .....   | 5-6  | 8.4 USDA运输 .....            | 8-46 |
| 6. 故障检修 .....  | 6-1  | 8.4.1 USDA传感器/插孔的类型 .....   | 8-46 |
| 6.1 制冷系统和电气系统 .....  | 6-1  | 8.4.2 初始设定 .....            | 8-46 |
| 6.2 报警代码的判断 .....  | 6-13 | 8.4.3 USDA传感器的校正 .....      | 8-46 |
| 6.3 自动PTI(J代码)的故障检修 .....  | 6-17 | 8.4.4 USDA运输要求 .....        | 8-46 |
| 6.4 根据记录图表进行诊断 .....   | 6-19 | 8.4.5 USDA报告 .....          | 8-46 |
| 6.5 应急运行 .....   | 6-22 | 8.5 TransFRESH(保鲜运输) .....  | 8-48 |
| 6.5.1 控制器的应急运行 .....   | 6-22 | 8.6 压力表接头的安装,拆卸 .....       | 8-50 |
| 6.5.2 控制器的短路运行 .....   | 6-23 | 8.6.1 冷媒的回收 .....           | 8-50 |
| 6.5.3 电子膨胀阀的开启度调节 .....  | 6-25 | 8.6.2 压力表接头的安装,拆卸 .....     | 8-50 |
| 6.5.4 吸气调节阀的应急运行 .....   | 6-26 | 8.7 压力计 .....               | 8-52 |
| 6.5.5 送风/回风温度传感器的自动备用 .....  | 6-27 |                             |      |
| 7. 附录 .....  | 7-1  |                             |      |
| 7.1 螺栓的标准紧固扭矩 .....  | 7-1  |                             |      |
| 7.2 扩口螺母的标准紧固扭矩 .....  | 7-1  |                             |      |
| 7.3 马达线圈和电磁阀线圈的电阻 .....  | 7-1  |                             |      |
| 7.4 电子膨胀阀线圈的标准紧固扭矩(EV线圈) .....                                       | 7-1  |                             |      |
| 7.5 HFC134a, 温度-蒸汽压力特性表 .....  | 7-2  |                             |      |
| 7.6 温度换算表和温度传感器<br>(SS/RS/DSS/DRS/RSS/RRS/EIS/EOS/SGS/AMBS)特性表 ..... | 7-3  |                             |      |
| 7.7 温度换算表和温度传感器(DCHS)特性表 .....                                       | 7-4  |                             |      |
| 7.8 高压传感器特性表 .....   | 7-4  |                             |      |
| 7.9 低压传感器特性表 .....   | 7-4  |                             |      |
| ☆ 7.10 配管图 .....   | 7-5  |                             |      |
| 7.11 指示灯及监控回路 .....  | 7-6  |                             |      |
| 7.12 保险丝保护表 .....  | 7-7  |                             |      |
| 7.13 配线示意图(接头式端子板+充电式电池) .....                                       | 7-9  |                             |      |
| 7.14 配线立体图(接头式端子板+充电式电池) .....                                       | 7-10 |                             |      |
| ☆ 7.15 配线示意图(接头式端子板+温度记录仪+干电池) .....                                 | 7-11 |                             |      |
| 7.16 配线立体图(接头式端子板+温度记录仪+干电池) .....                                   | 7-12 |                             |      |
| 7.17 配线示意图(圆形压接端子式端子板+温度记录仪+干电池) .....                               | 7-13 |                             |      |
| 7.18 配线立体图(圆形压接端子式端子板+温度记录仪+干电池) .....                               | 7-14 |                             |      |
| 8. 补充版手册 .....   | 8-1  |                             |      |
| 8.1 电子温度记录器 .....  | 8-2  |                             |      |
| 8.1.1 标准型 .....  | 8-2  |                             |      |
| 8.1.2 充电电池型 .....  | 8-4  |                             |      |
| 8.2 控制器相关 .....  | 8-5  |                             |      |
| 8.2.1 与标准不同的操作1 .....  | 8-5  |                             |      |
| 8.2.2 与标准不同的操作2 .....  | 8-9  |                             |      |
| 8.2.3 与标准不同的操作3 .....  | 8-22 |                             |      |
| 8.2.4 控制设定 .....   | 8-26 |                             |      |
| 8.2.5 设定温度与运行模式(附部分冷冻模式) .....                                       | 8-30 |                             |      |
| 8.2.6 除霜间隔 .....   | 8-31 |                             |      |
| 8.2.7 G-set运行 .....  | 8-32 |                             |      |

# 目 录

|                        |    |
|------------------------|----|
| 1. G-set 运行 .....      | 21 |
| 2. 控制设定 .....          | 22 |
| 2.1 设定流程图.....         | 22 |
| 2.2 基本功能设定模式.....      | 24 |
| 3. 压力表接头的安装, 拆卸 .....  | 26 |
| 3.1 冷媒的回收.....         | 26 |
| 3.2 压力表接头的安装, 拆卸 ..... | 26 |
| 4. 附图 .....            | 29 |
| 4.1 配管系统图.....         | 29 |
| 4.2 电气配线图.....         | 30 |
| 4.3 配线立体图.....         | 31 |

## 1. G-set 运行

G-set 运行

装置的初始设定状态为“12” (kVA)。

①按下“模式”键。

② 使用  $\triangle$  键和  $\nabla$  键在 LED 显示屏上选择“11”，“12”，“13”，“14”，“15” (kVA)，“OFF”，按  $\blacktriangledown$  键进行确定。装置将在选定值以下运行，从而降低电力消耗。

※如果要解除 G-set 运行，则在上述操作②中设定为 OFF。

※如果在“12” (kVA) 以外的设定状态下切断电源，则将自动返回至“12” (kVA)。

※虽然以kVA显示，但实际代表的是kW的值。

| 设定项目          | LED面板                              | LED面板   | 设定方法  |
|---------------|------------------------------------|---------|---|
|               | —                                  | —       | —   |
| G-设定运行<br>注1) | OFF, 11, 12, 13, 14, 15<br>单位: kVA | G-SET   | 用 $\triangle$ 或 $\nabla$ 键选择节能设定值，并按 $\blacktriangledown$ 键确定该设定。 |
| 自动抽真空运行       | ON, OFF                            | P down  | 用 $\triangle$ 或 $\nabla$ 键选择“ON”，并按 $\blacktriangledown$ 键确定该设定。  |
| 除湿            | ON/OFF                             | dHu     | 用 $\triangle$ 或 $\nabla$ 键选择所需的设定，然后按 $\blacktriangledown$ 键。     |
| 湿度设定          | 95% RH~60% RH                      | SET-SHU | 通过 $\nabla$ 键或 $\triangle$ 键选择需要的设定，然后按 $\blacktriangledown$ 确定。  |

注 1) 如果在 G-set 模式时切断电源，则此模式在失电后 30 分钟撤消。

## 2. 控制设定

### 2.1 设定流程图

在下列情况下应使用本配置设定流程：

情况 1) 需要 USDA 运输设定(※ 10 选项功能设定)

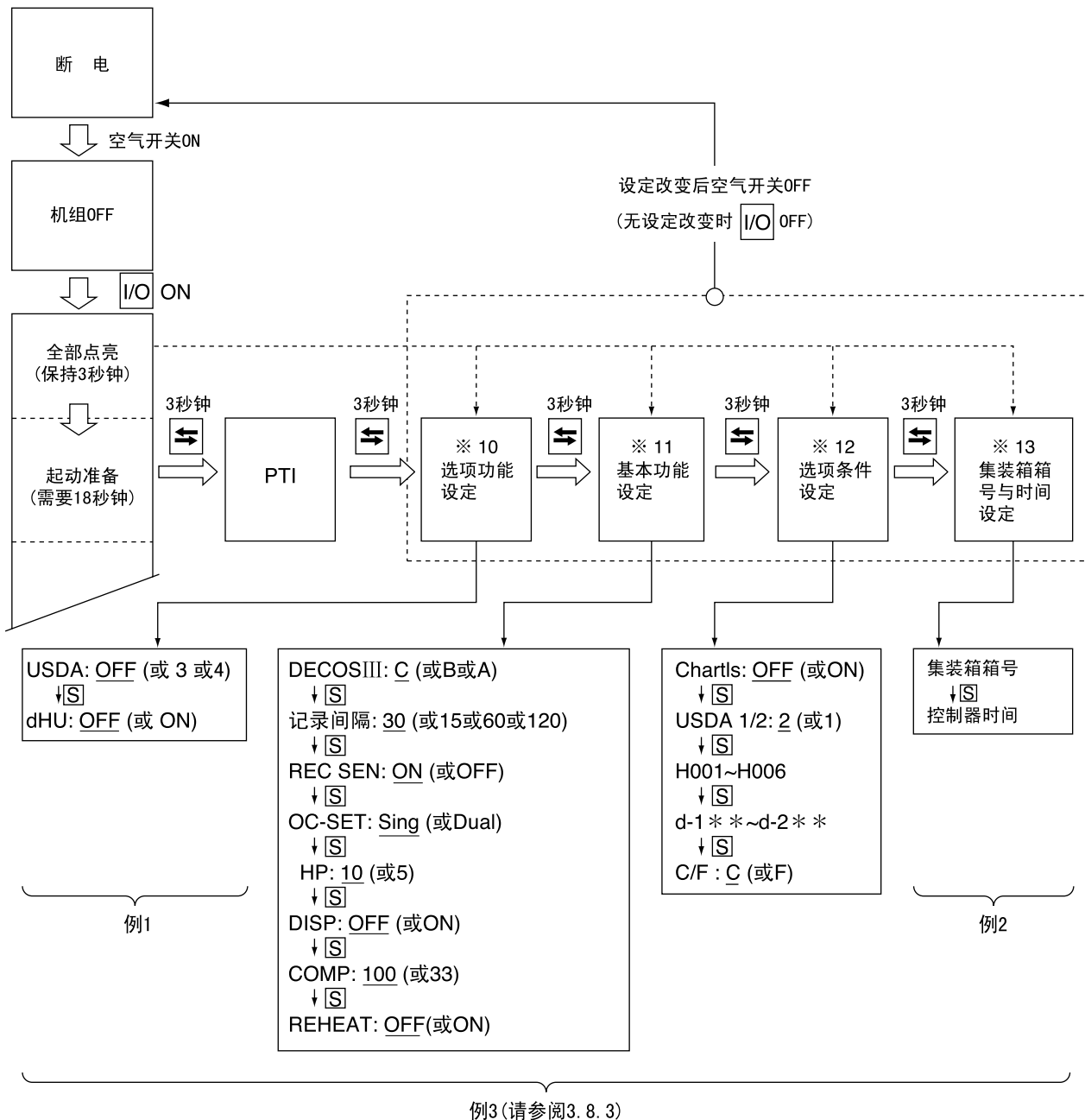
情况 2) 为了应急用途，集装箱箱号可能会变为别的集装箱。

(※ 13 集装箱箱号和时间设定)

情况 3) 控制器更换为新的。(必须设定第3-25页的※ 10~13 中的所有设定。)

注 1：交货时，机组的所有初始设定都经过预设。

2：为了完成设定变更，必须关闭空气开关。



## 控制器初始设定

### ※10. 选项功能设定

- USDA传感器设定
- 除湿控制on/off设定

P 3-26

### ※11. 基本功能设定模式

- 控制器类型
- 压缩机卸载
- 再热盘管
- 记录间隔
- 数据记录器传感器on/off
- 电源
- 压缩机马力
- 指示灯(LED部分)熄灭功能on/off

P 3-27

P 3-28

### ※12. 选项条件设定模式

- 温度曲线显示功能设定
- USDA传感器的类型
- °C/°F 设定
- H001
- H002
- H003
- H004
- H005
- H006
- d1--
- d2--
- d3--
- d-1-
- d-2-

P 3-29

P 3-30

### ※13. 输入数据模式

- 集装箱箱号(号码)
- 控制器时间

P 3-31

P 3-32

## 个人电脑和控制器

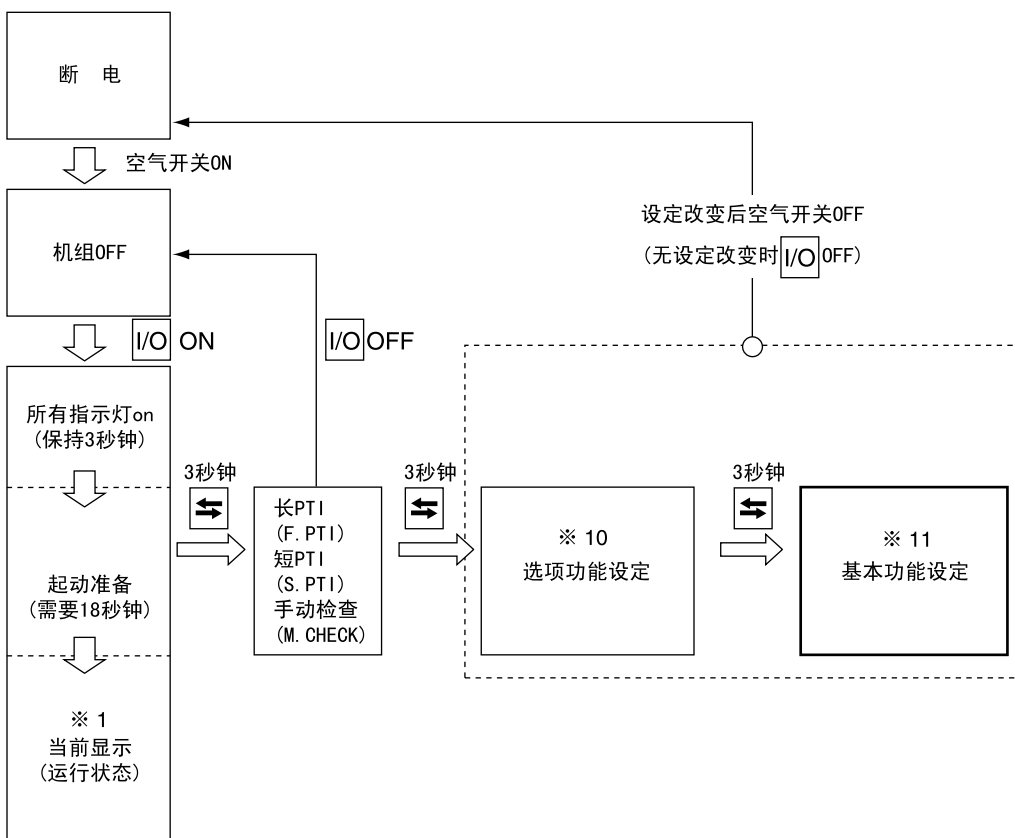
### ※14. 控制器软件下载模式

个人电脑和控制器中记录的数据是可互换的。  
详情, 请参阅“个人电脑软件的操作手册”。

P 3-32

## 2.2 基本功能设定模式

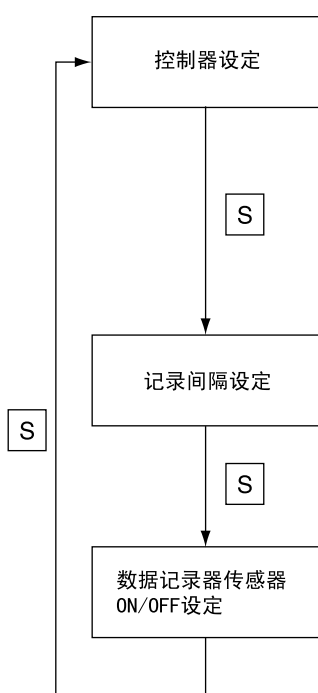
<进入/退出的按键操作>



<该模式下的按键操作>

只要按 **S** 键，即可使显示内容改变。

设定后关断空气开关。



在LCD显示“dECOS-3”时，在LED显示屏上选择“A”、“b”或“c”。

只要按  $\Delta$  或  $\nabla$  键，则所显示的“A”或“b”或“c”会改变。

按  $\downarrow$  键，确定设定。

“A”代表“DECOS-III a”，“b”代表“DECOS-III b”，“c”代表“DECOS-III c”。

机组另外还配备有“DECOS-III c”。

选择“c”，并按  $\downarrow$  键，确定设定。

要设定记录间隔：

在LCD显示“LOG INT”时，在LED显示屏上选择“15”、“30”、“60”或“120”。

这些数字的单位是分钟。

只要按  $\Delta$  或  $\nabla$  键，则所显示的“15”或“30”或“60”或“120”会改变。

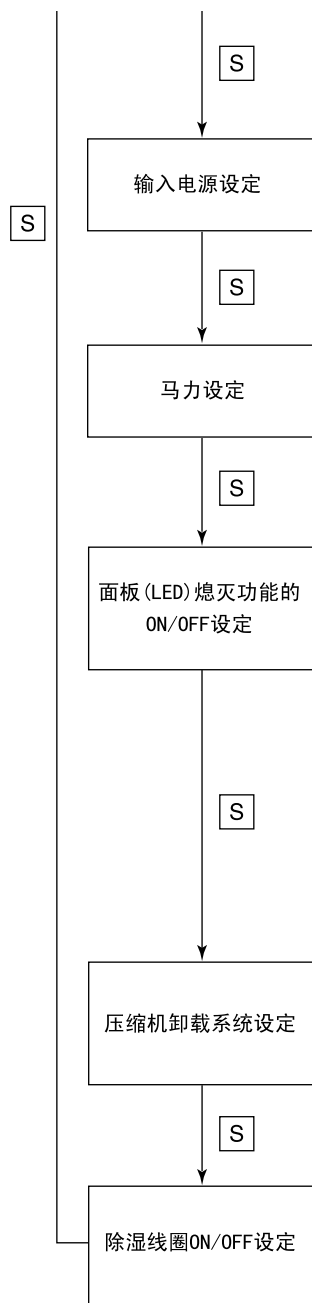
按  $\downarrow$  键，确定设定。

要设定数据记录器传感器 ON/OFF：

在LCD显示“REC SEN”时，在LED显示屏上选择“ON”(正在使用)或“OFF”(未使用)。

只要按  $\Delta$  或  $\nabla$  键，则所显示的“ON”或“OFF”会改变。

按  $\downarrow$  键，确定设定。



要设定输入电源:

在LCD显示“OC-SET”时,在LED显示屏上选择“Sing”或“dUAL”。

只要按 $\Delta$ 或 $\nabla$ 键,则所显示的“Sing”或“dUAL”会改变。按 $\square$ 键,确定设定。

对于机组来说,选择“Sing”,并按 $\square$ 键,确定设定。

要设定马力设定:

LCD显示“HP”(马力)时,在LED上选择“5”或“10”。

每按一次 $\nabla$ 或 $\Delta$ 键,显示“5”或“10”改变。按 $\square$ 键确定设定。

要设定面板(LED)熄灭功能ON/OFF:

在LCD显示“dISP”时,在LED显示屏上选择“ON”(配备)或“OFF”(未配备)。

只要按 $\Delta$ 或 $\nabla$ 键,则所显示的“ON”或“OFF”会改变。按 $\square$ 键,确定设定。

注:在面板(LED)的熄灭功能为ON时,按O/CHART键两次,LED面板熄灭。

要设定压缩机卸载系统:

在LCD显示“COMP”时,在LED显示屏上选择“33”(配备)或“100”(未配备)。

只要按 $\Delta$ 或 $\nabla$ 键,则所显示的“33”或“100”会改变。

注:“33”设定仅适用于LXE10D型。

要设定除湿线圈ON/OFF:

在LCD显示“REHEAT”时,在LED显示屏上选择“ON(配备)”或“OFF(未配备)”。

只要按 $\Delta$ 或 $\nabla$ 键,则所显示的“ON”或“OFF”会改变。按 $\square$ 键,确定设定。

### 3. 压力表接头的安装，拆卸

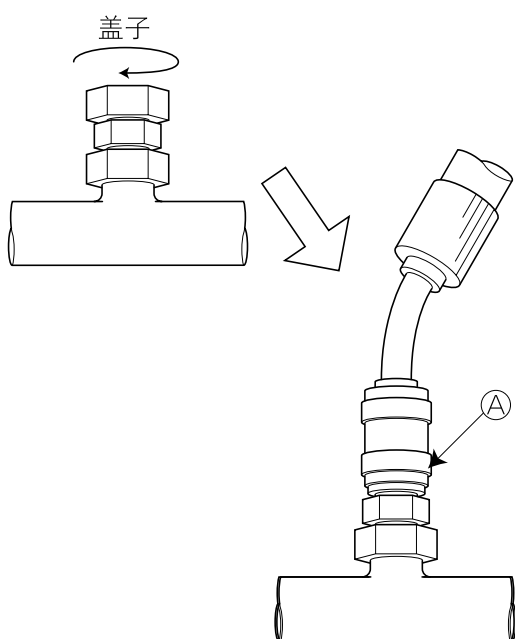
#### 3.1 冷媒的回收

- ①如果要回收冷媒，请务必使用冷媒回收机，以免破坏地球臭氧层。
- ②关于对冷媒的处理，请遵守维修所在国家的行政机关制定的有关环境的所有法律规定。

#### 3.2 压力表接头的安装，拆卸

##### (1) 压力表接头的安装

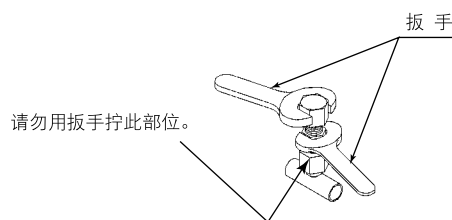
用扳手将维修口的盖子拆下，在旋转Ⓐ部的同时用手拧紧压力表接头的充气软管。



※维修口盖子安装拆卸时的注意事项

- 拆卸和安装维修口盖子时，请使用两把扳手。
- 拧紧维修口盖子时，请按下述扭矩进行拧紧，以防气体泄漏。

扭矩值：12.7N·m±10%



注意：关于快速接头式的维修端口歧管仪表的安装及拆卸，请参见TR02-04B的第4-1页。

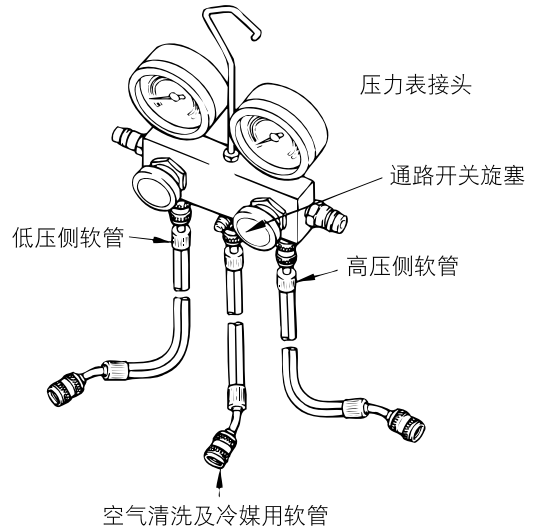
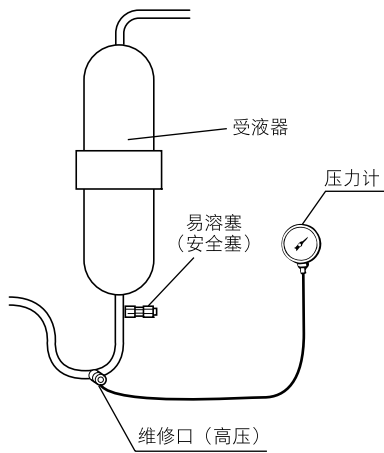
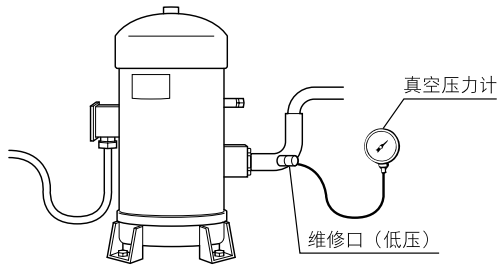
**⚠ 注意**

1. 为防止异物及水分的侵入，在日常点检中请尽量避免使用压力表接头，而使用控制器的压力显示功能。
2. 为防止异常冷媒，冷冻机油的混入，请不要使用迄今为止一直使用的CFC12用压力计，压力表接头，充气软管以及充气气缸。

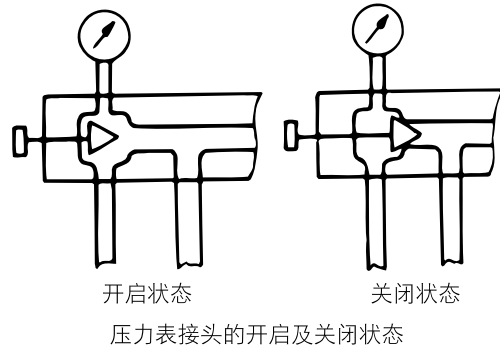


●作业时的注意事项

- ①连接时，应一边旋转一边注意不要让配管发生弯曲。
- ②连接时，如果充气软管内残留有冷媒，就可能发生难于结合的情况。此时，要把软管内的残余压力释放后再进行操作。

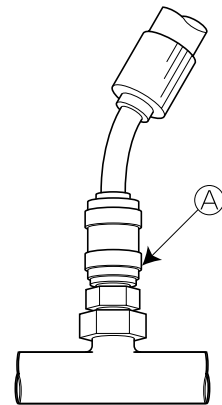


压力表接头的结构



(2) 压力表接头的拆卸

用手旋转压力表接头的接头 (A部)，将压力表接头拆下。



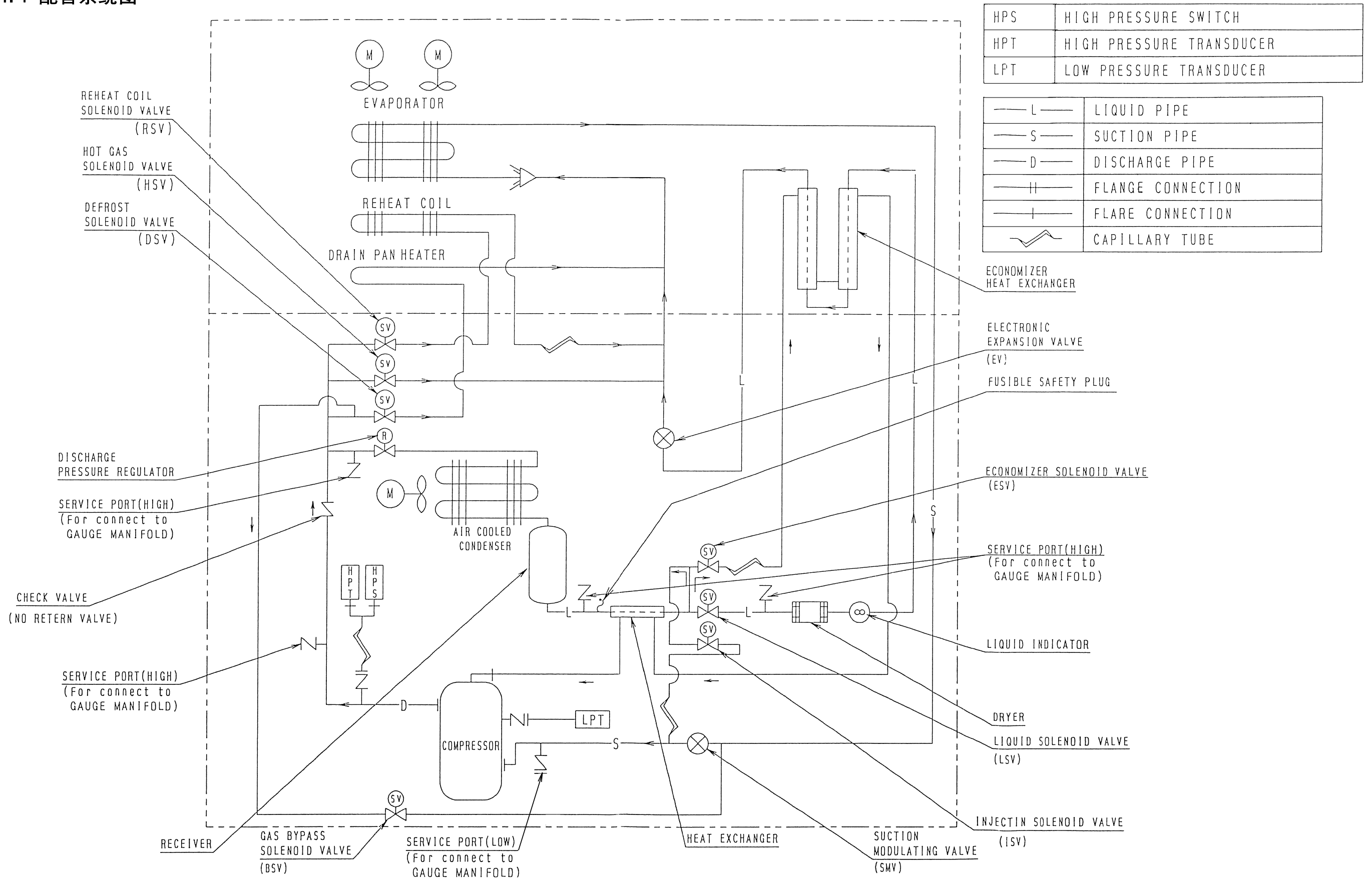
**注意**

压力表接头拆下后，一定要将盖子安装在维修口上。

<https://daikin-p.ru>

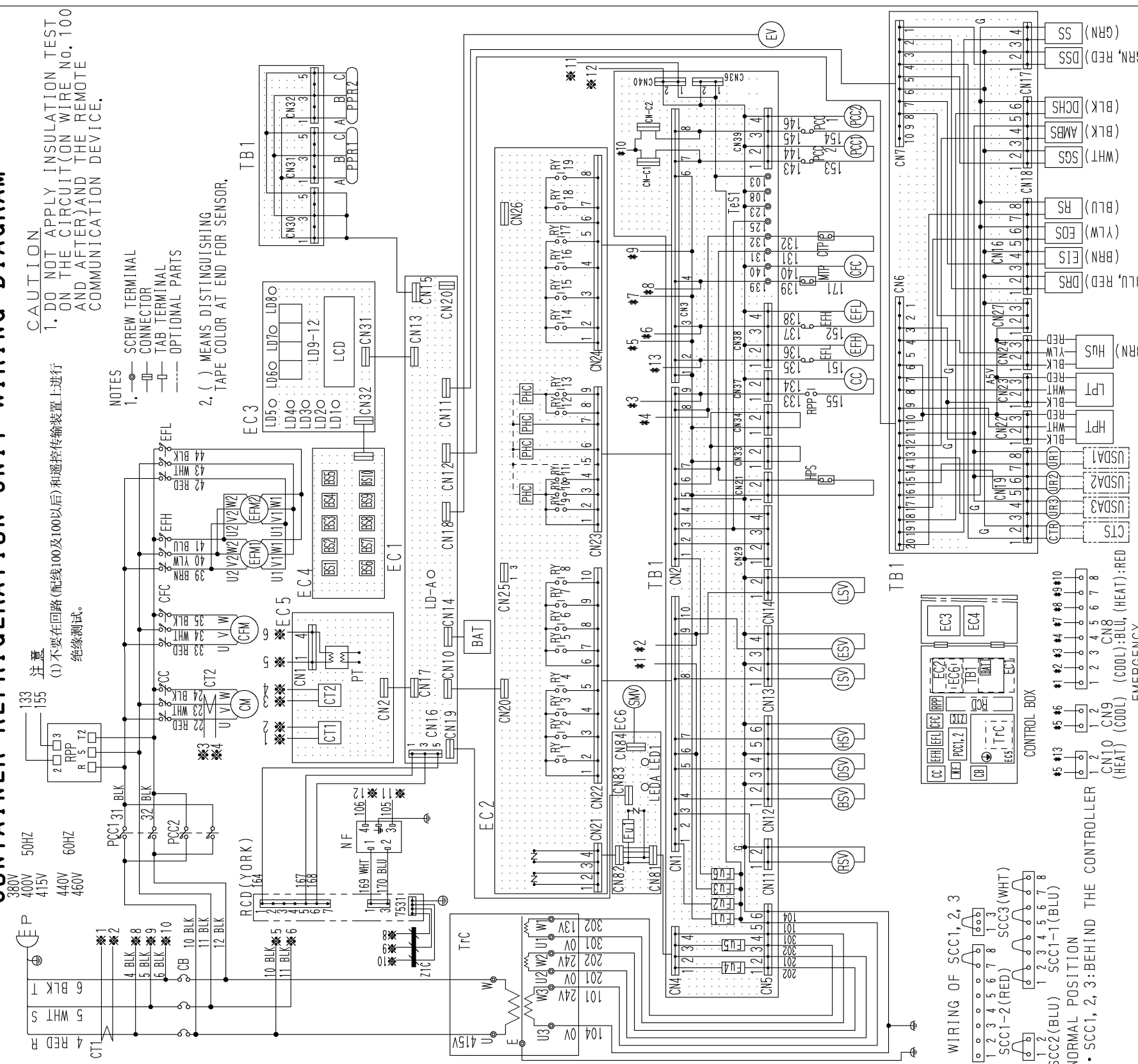
## 4. 附图

### 4.1 配管系统图



4.2 电气配线图

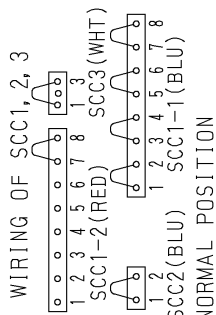
CONTAINER REFRIGERATION UNIT WIRING DIAGRAM



**CAUTION**  
 1. DO NOT APPLY INSULATION TEST ON THE CIRCUIT (ON WIRE No. 100 AND AFTER) AND THE REMOTE COMMUNICATION DEVICE.

**NOTES**  
 1. — SCREW TERMINAL  
 — CONNECTOR  
 — TAB TERMINAL  
 — OPTIONAL PARTS  
 2. ( ) MEANS DISTINGUISHING TAPE COLOR AT END FOR SENSOR.

**注意**  
 (1)不要在回路(配线100及100以后)和遥控传输装置上进行绝缘测试。



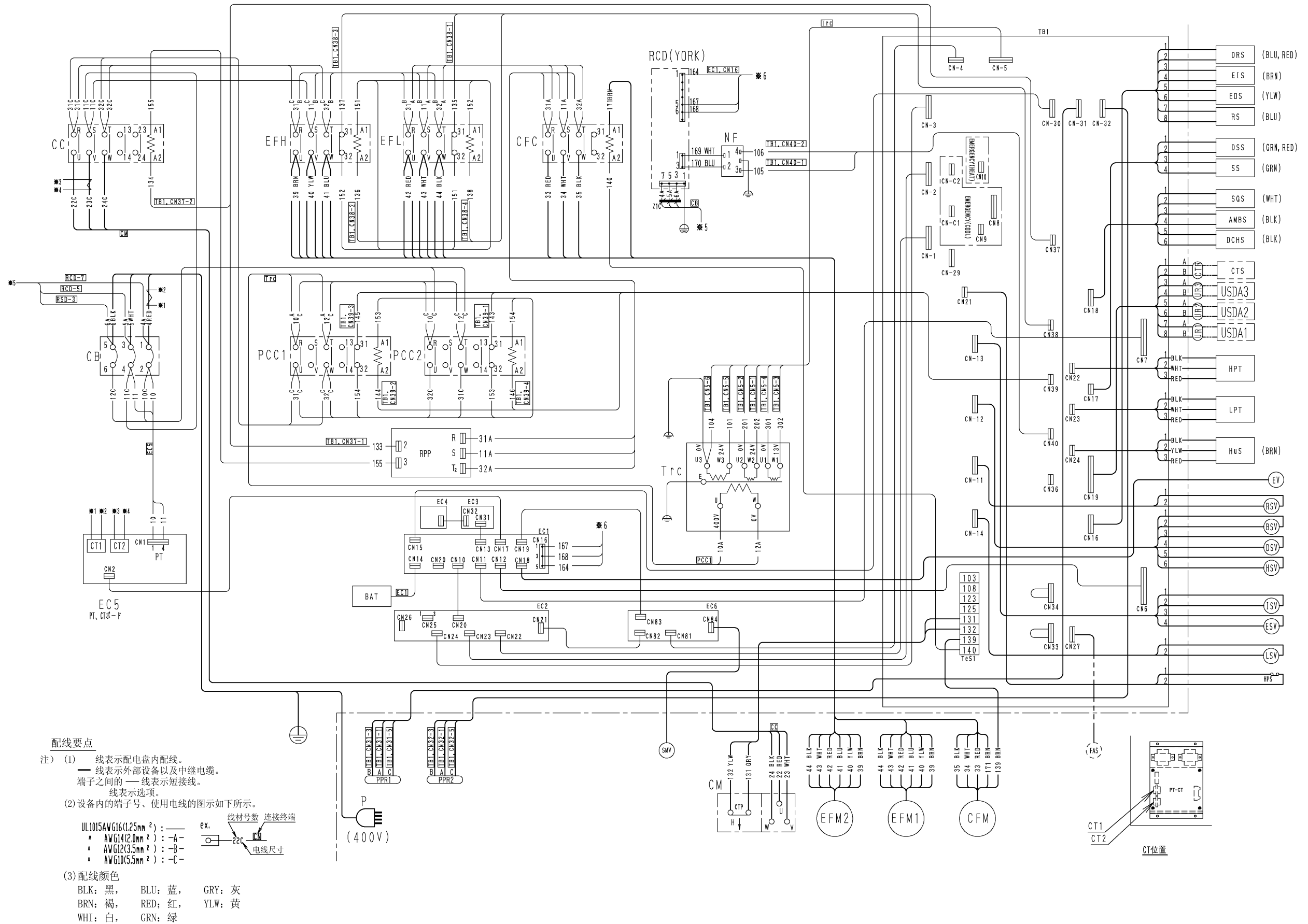
|        |               |        |              |      |                |
|--------|---------------|--------|--------------|------|----------------|
| AMBS   | 环境温度传感器       | LI8    | 指示灯(除湿)      | SS   | 送风传感器          |
| BAT    | 电池            | LI9-12 | 指示灯          | BI   | 接线端子板          |
| BSV    | 气体旁通电磁阀       | LEJA   | 维修控制器一绿(EC6) | IC   | 控制端子板          |
| BST-10 | 按钮开关          | LEJ    | 指示灯(EC6)     | UR-3 | USDA(美国农业部)贮藏器 |
| CB     | 回路断路器(30A)    | LP     | 低压传感器        | ZIC  | 磁芯             |
| CC     | 压缩机接触器        | LSV    | 液体电磁阀        |      |                |
| CFC    | 冷凝器风扇接触器      | MIP    | 冷凝器马达热保护器    |      |                |
| CFM    | 冷凝器风扇马达       | NF     | 噪声过滤器        |      |                |
| CM     | 压缩机马达         | P      | 电源插头         |      |                |
| CTL2   | 电流感应器         | PCC1,2 | 相校正接触器       |      |                |
| CIP    | 压缩机热保护器       | PHC    | 光耦合器         |      |                |
| CR     | 货物保温贮藏器       | PPR1,2 | PC接口插孔       |      |                |
| DCHS   | 压缩机排放传感器      | PI     | 变压器          |      |                |
| DRS    | 数据记录器回风传感器    | RPP    | 反相保护器        |      |                |
| DSS    | 数据记录器送风传感器    | RS     | 回风传感器        |      |                |
| DSV    | 除霜电磁阀         | RSV    | 再热管电磁阀       |      |                |
| EC1    | CPU板(DECOS)   | RY1-9  | 继电器          |      |                |
| EC2    | I/O板(DECOS)   | SCC1,2 | 短路连接器        |      |                |
| EC3    | 显示板(DECOS)    | SCC2   | 短路连接器        |      |                |
| EC4    | 键盘(DECOS)     | SCC3   | 短路连接器        |      |                |
| EC5    | 印刷电路板(PT, CT) | Sgs    | 吸气传感器        |      |                |
| EC6    | 接头板           | SMV    | 吸气调节阀        |      |                |

选配件规格  
 CIS 货物温度传感器  
 RCI 遥控传输装置(YORK)  
 USDA1-3 USDA传感器

2D060185-1A

LXE10E-A45

## 4.3 配线立体图



<https://daikin-p.ru>

## 刊登的機型

此維修操作手冊在本裝置的特點以及操作維護方面，僅針對與維修操作手冊（維修篇 TR 02-11B）不同的事項進行了說明。

| 編號  | 項 目         | 與維修操作手冊（維修篇）的不同點 |
|-----|-------------|------------------|
| 1 ☆ | G-set 運行    |                  |
| 2 ☆ | 控制設定        |                  |
| 3 ☆ | 壓力錶接頭的安裝，拆卸 | 壓力錶接頭連接用 VCS     |

標有☆的專案將在下一頁以後進行詳細說明。

## 各型號不同點

| 不同點 \ 型號 | LEXE10E-A45 | LXE10E-A45A | 參考頁面   |
|----------|-------------|-------------|--------|
| 維修端口     | 快速接頭式       | 螺杆式         | 41, 42 |

|   |      |
|---|------|
| 安全注意事項  |      |
| • 危險事項  | 4    |
| • 警告事項  | 5    |
| • 注意事項  | 6    |
| 1. 前言   | 1-1  |
| 1.1 運行範圍  | 1-1  |
| 1.2 部件基本名稱  | 1-1  |
| 1.3 制冷機組的基本操作   | 1-2  |
| 1.3.1 起動操作  | 1-2  |
| 1.3.2 機組運行下的檢查  | 1-3  |
| 1.3.3 機組運行後的操作步驟  | 1-3  |
| 1.3.4 調節通風窗   | 1-4  |
| 2. 概述   | 2-1  |
| 2.1 主要規格參數  | 2-1  |
| 2.2 部件名稱  | 2-2  |
| 2.2.1 外部  | 2-2  |
| 2.2.2 內部  | 2-5  |
| 2.2.3 控制箱   | 2-7  |
| 2.3 功能部件的設定點及保護裝置   | 2-12 |
| 2.4 運行壓力及運行電流   | 2-13 |
| 2.5 運行模式與控制   | 2-17 |
| 2.5.1 冷凍運行  | 2-18 |
| 2.5.2 冷藏與部分冷凍模式   | 2-20 |
| 2.5.3 除霜運行模式  | 2-22 |
| 2.5.4 除濕模式(選項)  | 2-25 |
| 2.5.5 常規控制  | 2-26 |
| 3. 電子控制器  | 3-1  |
| 3.1 功能  | 3-1  |
| 3.2 電子控制器的基本操作  | 3-3  |
| 3.2.1 控制面板  | 3-3  |
| 3.3 操作步驟  | 3-6  |
| 3.3.1 操作步驟流程圖   | 3-6  |
| 3.3.2 模式轉換的操作步驟   | 3-9  |
| 1. 當前(運行狀態)顯示模式   | 3-9  |
| 2. 運行設定模式   | 3-10 |
| 3. 電池模式   | 3-11 |
| ☆ 4. 模式轉換操作   | 3-12 |
| 5. LED顯示熄滅模式  | 3-14 |
| 6. 傳感器顯示模式  | 3-15 |
| 7. 溫度記錄滾動模式   | 3-18 |
| 8. 報警記錄滾動模式   | 3-21 |
| 9. PTI記錄滾動模式  | 3-23 |
| 3.3.3 設定流程圖   | 3-24 |
| ☆ 10. 選項功能設定模式  | 3-26 |
| 11. 基本功能設定模式  | 3-27 |
| 12. 選項條件設定模式  | 3-29 |
| 13. 輸入數據模式  | 3-31 |
| 14. 控制器軟件下載模式   | 3-32 |
| 3.4 報警顯示與備用功能   | 3-33 |
| 3.4.1 報警列表  | 3-33 |
| 3.4.2 傳感器出故障時的備用運行  | 3-34 |
| 3.5 備用電池  | 3-36 |
| 3.5.1 規格  | 3-36 |
| 3.5.2 功能  | 3-36 |
| 3.5.3 電池檢查  | 3-36 |
| 3.5.4 更換電池(充電式電池)   | 3-37 |
| 3.6 與個人電腦進行信息交換   | 3-38 |
| 3.6.1 數據記錄  | 3-39 |
| 3.6.2 軟件配置  | 3-40 |
| 3.7 電子控制器的檢查步驟  | 3-42 |
| 3.8 控制器更換與初始設定  | 3-43 |
| 3.8.1 控制器更換   | 3-43 |
| 3.8.2 控制器DECOSIII d和DECOSIII c及DECOSIII b的互換性                                 | 3-44 |
| 3.8.3 LXE10E-1、LXE10E-A&LXE10D備用控制器DECOSIII d、DECOSIII c和DECOSIII b更換時的初始設定步驟 | 3-46 |
| 3.8.4 LXE10E-1&LXE10E-A備用控制器DECOSIII d的初始設定表                                  | 3-47 |
| 3.8.5 LXE10E-A備用控制器DECOSIII c的初始設定表   | 3-48 |
| 3.8.6 LXE10D備用控制器DECOSIII b的初始設定表   | 3-49 |
| 3.9 PTI(航行前檢查)及定期檢查   | 3-50 |
| 3.9.1 檢查項目  | 3-51 |
| 3.9.2 自動PTI(航行前檢查)  | 3-54 |
| 3.9.2.1 PTI選擇模式   | 3-55 |
| 3.9.2.2 短PTI(S.PTI)   | 3-56 |
| 3.9.2.3 長PTI(F.PTI)   | 3-57 |
| 3.9.2.4 PTI(航行前檢查)期間的報警清單   | 3-58 |
| 3.9.2.5 手動檢查(M.CHECK)   | 3-59 |
| 3.10 溫度曲線顯示功能   | 3-61 |
| 3.10.1 圖表顯示模式   | 3-61 |
| 3.10.2 P代碼(全制冷時間顯示)   | 3-63 |
| 3.10.3 溫度曲線顯示代碼顯示功能   | 3-64 |
| 3.10.3.1 溫度曲線顯示代碼列表   | 3-64 |
| 3.10.3.2 H代碼  | 3-65 |
| 3.10.3.3 d代碼  | 3-67 |
| 3.11 通信調制解調器  | 3-68 |
| 4. 維修和維護  | 4-1  |
| 4.1 維護  | 4-1  |
| ☆ 4.1.1 冷媒的收集   | 4-1  |
| 4.1.2 壓力表接頭   | 4-1  |
| 4.1.3 自動抽真空   | 4-3  |
| 4.1.4 冷媒淨化和加注   | 4-5  |
| 4.2 主要部件及其維護  | 4-8  |
| 4.2.1 渦旋式壓縮機  | 4-8  |
| 4.2.2 風扇及風扇馬達   | 4-12 |
| 4.2.3 PT和CT板(EC9756)  | 4-13 |
| 4.2.4 電子膨脹閥   | 4-15 |
| 4.2.5 吸氣調解閥   | 4-16 |
| 4.2.6 幹燥器   | 4-17 |
| 4.2.7 電磁閥   | 4-18 |
| 4.2.8 排出壓力調節閥   | 4-19 |
| 4.2.9 止回閥   | 4-19 |
| 4.2.10 高壓開關(HPS)  | 4-20 |
| 4.2.11 低壓傳感器(LPT)   | 4-20 |
| 4.2.12 高壓傳感器(HPT)   | 4-21 |
| 4.2.13 風冷式冷凝器和蒸發器   | 4-21 |
| 4.2.14 可熔塞  | 4-21 |
| 4.2.15 視液鏡  | 4-22 |
| 4.2.16 真空脫水   | 4-23 |



目錄

|   |      |                       |      |
|---|------|-----------------------|------|
| 5. 可選裝置                                 | 5-1  | 8.2.10 除濕控制           | 8-35 |
| 5.1 電子溫度記錄器                             | 5-1  | 8.2.11 手動檢查選擇模式       | 8-39 |
| 5.1.1 標準型                               | 5-1  | 8.2.12 F.PTI規格        | 8-40 |
| 5.1.2 充電電池型                             | 5-3  | 8.2.13 充電電池           | 8-42 |
| 5.2 USDA運輸                              | 5-4  | 8.3 控制箱               | 8-43 |
| 5.2.1 USDA傳感器/插孔的類型                     | 5-4  | 8.3.1 控制箱內置電腦插孔、備用保險絲 | 8-43 |
| 5.2.2 初始設定                              | 5-4  | 8.3.2 電纜線夾具1          | 8-44 |
| 5.2.3 USDA傳感器的校正                        | 5-4  | 8.3.3 電纜線夾具2          | 8-45 |
| 5.2.4 USDA運輸要求                          | 5-4  | 8.4 USDA運輸            | 8-46 |
| 5.2.5 USDA報告                            | 5-4  | 8.4.1 USDA傳感器/插孔的類型   | 8-46 |
| 5.3 TransFRESH(保鮮運輸)                    | 5-6  | 8.4.2 初始設定            | 8-46 |
| 6. 故障檢修                                 | 6-1  | 8.4.3 USDA傳感器的校正      | 8-46 |
| 6.1 制冷系統和電氣系統                           | 6-1  | 8.4.4 USDA運輸要求        | 8-46 |
| 6.2 報警代碼的判斷                             | 6-13 | 8.4.5 USDA報告          | 8-46 |
| 6.3 自動PTI(J代碼)的故障檢修                     | 6-17 | 8.5 TransFRESH(保鮮運輸)  | 8-48 |
| 6.4 根據記錄圖表進行診斷                          | 6-19 | 8.6 壓力表接頭的安裝，拆卸       | 8-50 |
| 6.5 應急運行                                | 6-22 | 8.6.1 冷媒的回收           | 8-50 |
| 6.5.1 控制器的應急運行                          | 6-22 | 8.6.2 壓力表接頭的安裝，拆卸     | 8-50 |
| 6.5.2 控制器的短路運行                          | 6-23 | 8.7 壓力計               | 8-52 |
| 6.5.3 電子膨脹閥的開啟度調節                       | 6-25 |                       |      |
| 6.5.4 吸氣調節閥的應急運行                        | 6-26 |                       |      |
| 6.5.5 送風/回風溫度傳感器的自動備用                   | 6-27 |                       |      |
| 7. 附錄                                   | 7-1  |                       |      |
| 7.1 螺栓的標準緊固扭矩                           | 7-1  |                       |      |
| 7.2 擴口螺母的標準緊固扭矩                         | 7-1  |                       |      |
| 7.3 馬達線圈和電磁閥線圈的電阻                       | 7-1  |                       |      |
| 7.4 電子膨脹閥線圈的標準緊固扭矩(EV線圈)                | 7-1  |                       |      |
| 7.5 HFC134a，溫度-蒸汽壓力特性表                  | 7-2  |                       |      |
| 7.6 溫度換算表和溫度傳感器                         |      |                       |      |
| (SS/RS/DSS/DRS/RSS/EIS/EOS/SGS/AMBS)特性表 | 7-3  |                       |      |
| 7.7 溫度換算表和溫度傳感器(DCHS)特性表                | 7-4  |                       |      |
| 7.8 高壓傳感器特性表                            | 7-4  |                       |      |
| 7.9 低壓傳感器特性表                            | 7-4  |                       |      |
| ☆ 7.10 配管圖                              | 7-5  |                       |      |
| 7.11 指示燈及監控回路                           | 7-6  |                       |      |
| 7.12 保險絲保護表                             | 7-7  |                       |      |
| 7.13 配線示意圖(接頭式端子板+充電式電池)                | 7-9  |                       |      |
| 7.14 配線立體圖(接頭式端子板+充電式電池)                | 7-10 |                       |      |
| ☆ 7.15 配線示意圖(接頭式端子板+溫度記錄儀+乾電池)          | 7-11 |                       |      |
| 7.16 配線立體圖(接頭式端子板+溫度記錄儀+乾電池)            | 7-12 |                       |      |
| 7.17 配線示意圖(圓形壓接端子式端子板+溫度記錄儀+乾電池)        | 7-13 |                       |      |
| 7.18 配線立體圖(圓形壓接端子式端子板+溫度記錄儀+乾電池)        | 7-14 |                       |      |
| 8. 補充版手冊                                | 8-1  |                       |      |
| 8.1 電子溫度記錄器                             | 8-2  |                       |      |
| 8.1.1 標準型                               | 8-2  |                       |      |
| 8.1.2 充電電池型                             | 8-4  |                       |      |
| 8.2 控制器相關                               | 8-5  |                       |      |
| 8.2.1 與標準不同的操作1                         | 8-5  |                       |      |
| 8.2.2 與標準不同的操作2                         | 8-9  |                       |      |
| 8.2.3 與標準不同的操作3                         | 8-22 |                       |      |
| 8.2.4 控制設定                              | 8-26 |                       |      |
| 8.2.5 設定溫度與運行模式(附部分冷凍模式)                | 8-30 |                       |      |
| 8.2.6 除霜間隔                              | 8-31 |                       |      |
| 8.2.7 G-set運行                           | 8-32 |                       |      |
| 8.2.8 G-set運行2                          | 8-32 |                       |      |
| 8.2.9 閥門模式                              | 8-33 |                       |      |

# 目 錄




|                       |    |
|-----------------------|----|
| 1. G-set 運行 .....     | 37 |
| 2. 控制設定 .....         | 38 |
| 2.1 設定流程圖.....        | 38 |
| 2.2 基本功能設定模式.....     | 40 |
| 3. 壓力錶接頭的安裝, 拆卸 ..... | 42 |
| 3.1 冷媒的回收.....        | 42 |
| 3.2 壓力錶接頭的安裝, 拆卸..... | 42 |
| 4. 附圖 .....           | 45 |
| 4.1 配管系統圖.....        | 45 |
| 4.2 電氣配線圖.....        | 46 |
| 4.3 配線立體圖.....        | 47 |

## 1. G-set 運行

G-set 運行

裝置的初始設定狀態為※ “12” (kVA)。

①按下“模式”鍵。

②使用  鍵和  鍵在 LED 顯示幕上選擇 “11”, “12”, “13”, “14”, “15” (kVA), “OFF”, 按  鍵進行確定。裝置將在選定值以下運行，從而降低電力消耗。

※如果要解除 G-set 運行，則在上述操作②中設定為 OFF。

※如果在 “12” (kVA) 以外的設定狀態下切斷電源，則將自動返回至 “12” (kVA)。

※雖然以 kVA 顯示，但實際代表的是 kW 的值。

| 設定項目   | LED面板                              | LED面板   | 設定方法   |
|--|------------------------------------|---------|--|
|  | —                                  | —       | —  |
| G-設定運行<br>注1)  | OFF, 11, 12, 13, 14, 15<br>單位: kVA | G-SET   | 用  或  鍵選擇節能設定值，并按  鍵確定該設定。      |
| 自動抽真空運行  | ON, OFF                            | P down  | 用  或  鍵選擇“ON”，并按  鍵確定該設定。 |
| 除濕   | ON/OFF                             | dHu     | 用  或  鍵選擇所需的設定，然後按  鍵。    |
| 濕度設定   | 95% RH ~ 60% RH                    | SET-SHU | 通過  鍵或  鍵選擇需要的設定，然後按  確定。 |

注 1)如果在 G-set 模式時切斷電源，則此模式在失電後 30 分鐘撤消。

## 2. 控制設定

### 2.1 設定流程圖

在下列情況下應使用本配置設定流程：

情況 1) 需要 USDA 運輸設定(※ 10 選項功能設定)

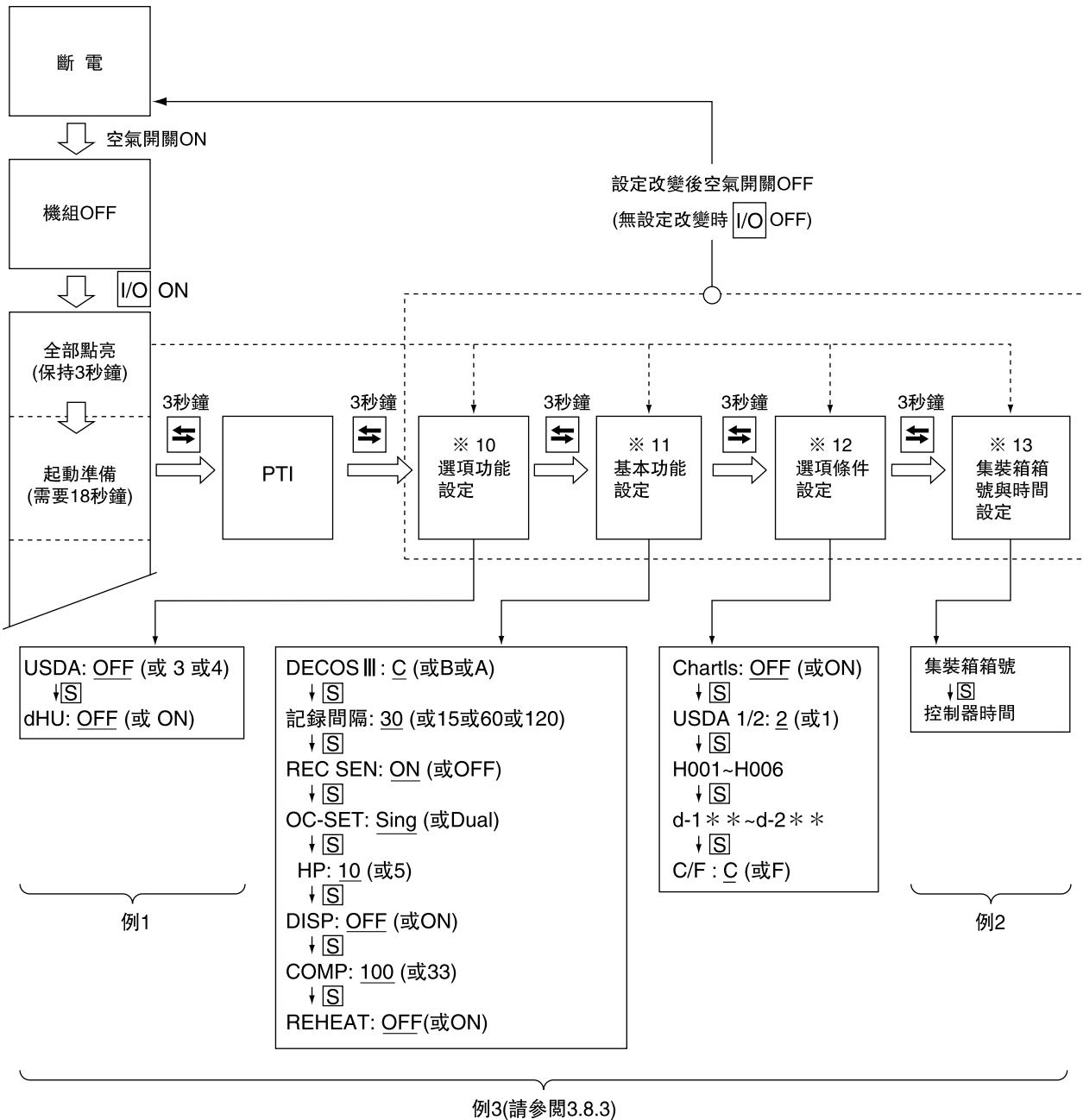
情況 2) 爲了應急用途，集裝箱箱號可能會變爲別的集裝箱。

(※ 13 集裝箱箱號和時間設定)

情況 3) 控制器更換爲新的。(必須設定第3-25頁的※ 10 - 13 中的所有設定。)

注 1：交貨時，機組的所有初始設定都經過預設。

2：爲了完成設定變更，必須關閉空氣開關。



## 控制器初始設定

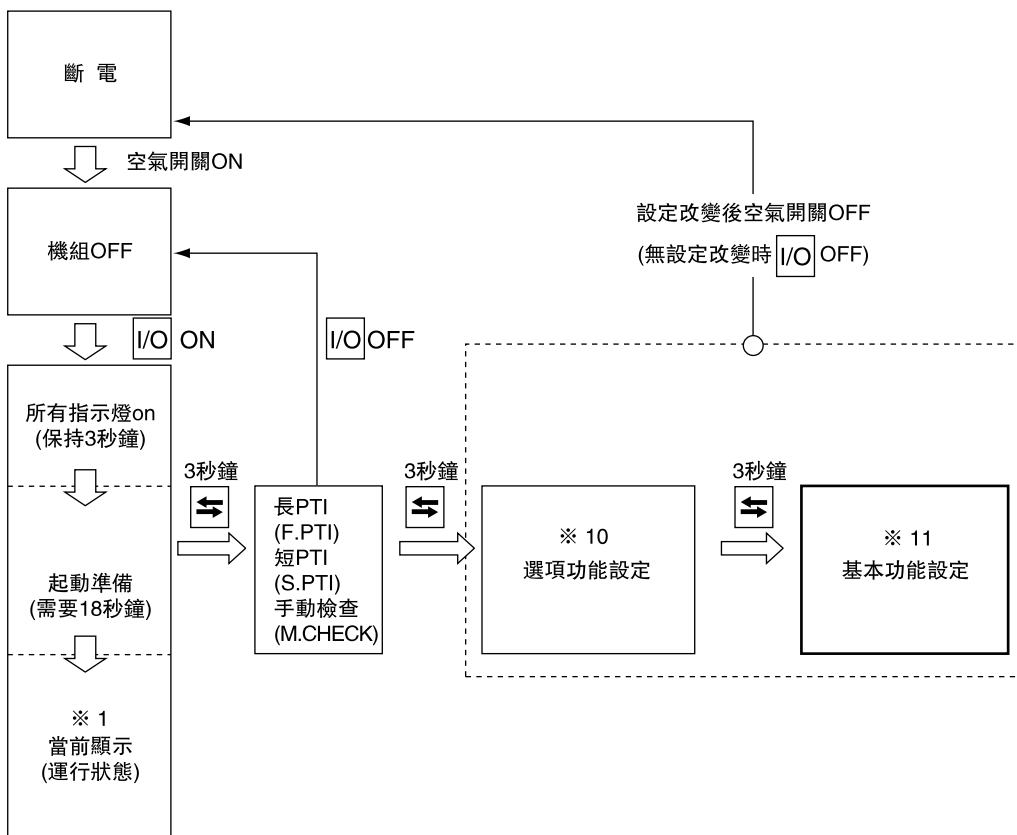
|  |                  |
|--|------------------|
| <b>※10. 選項功能設定</b> <ul style="list-style-type: none"><li>●USDA傳感器設定</li><li>●除濕控制on/off設定</li></ul>  | P 3-26           |
| <b>※11. 基本功能設定模式</b> <ul style="list-style-type: none"><li>●控制器類型</li><li>●壓縮機卸載</li><li>●再熱盤管</li><li>●記錄間隔</li><li>●數據記錄器傳感器on/off</li><li>●電源</li><li>●壓縮機馬力</li><li>●指示燈(LED部分)熄滅功能on/off</li></ul>  | P 3-27<br>P 3-28 |
| <b>※12. 選項條件設定模式</b> <ul style="list-style-type: none"><li>●溫度曲線顯示功能設定</li><li>●USDA傳感器的類型</li><li>●°C/°F 設定</li><li>●H001</li><li>●H002</li><li>●H003</li><li>●H004</li><li>●H005</li><li>●H006</li><li>●d1--</li><li>●d2--</li><li>●d3--</li><li>●d-1-</li><li>●d-2-</li></ul> | P 3-29<br>P 3-30 |
| <b>※13. 輸入數據模式</b> <ul style="list-style-type: none"><li>●集裝箱箱號(號碼)</li><li>●控制器時間</li></ul>   | P 3-31<br>P 3-32 |

## 個人電腦和控制器

|  |        |
|--|--------|
| <b>※14. 控制器軟件下載模式</b> <p>個人電腦和控制器中記錄的數據是可互換的。<br/>詳情，請參閱“個人電腦軟件的操作手冊”。</p> | P 3-32 |
|--|--------|

## 2.2 基本功能設定模式

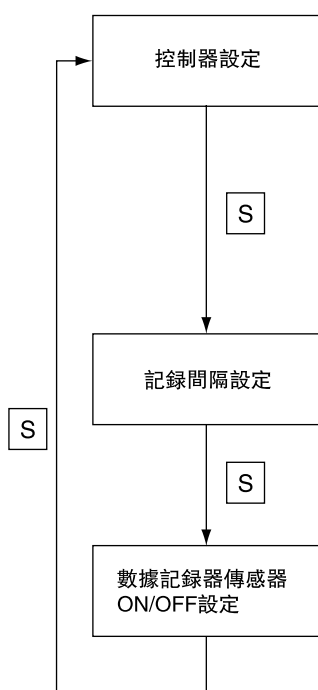
< 進入 / 退出的按鍵操作 >



< 該模式下的按鍵操作 >

祇要按 **S** 鍵，即可使顯示內容改變。

設定後關斷空氣開關。



在LCD顯示“DECOS-3”時，在LED顯示屏上選擇“A”、“b”或“c”。祇要按 **△** 或 **▽** 鍵，則所顯示的“A”或“b”或“c”會改變。

按 **↓** 鍵，確定設定。

“A”代表“DECOS-III a”，“b”代表“DECOS-III b”，“c”代表“DECOS-III c”。

機組另外還配備有“DECOS-III c”。

選擇“c”，并按 **↓** 鍵，確定設定。

要設定記錄間隔：

在LCD顯示“LOG INT”時，在LED顯示屏上選擇“15”、“30”、“60”或“120”。這些數字的單位是分鐘。

祇要按 **△** 或 **▽** 鍵，則所顯示的“15”或“30”或“60”或“120”會改變。

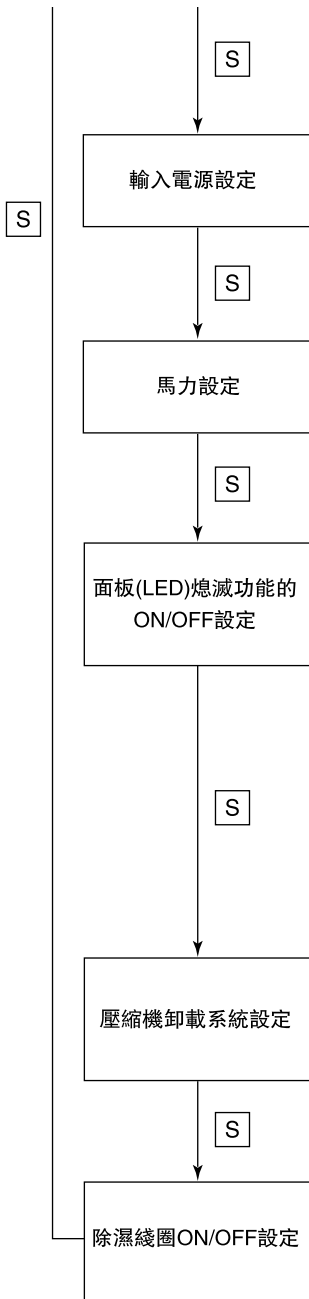
按 **↓** 鍵，確定設定。

要設定數據記錄器傳感器 ON/OFF：

在LCD顯示“REC SEN”時，在LED顯示屏上選擇“ON”(正在使用)或“OFF”(未使用)。

祇要按 **△** 或 **▽** 鍵，則所顯示的“ON”或“OFF”會改變。

按 **↓** 鍵，確定設定。



要設定輸入電源：

在LCD顯示“OC-SET”時，在LED顯示屏上選擇“Sing”或“dUAL”。

祇要按△或▽鍵，則所顯示的“Sing”或“dUAL”會改變。

按↵鍵，確定設定。

對於機組來說，選擇“Sing”，并按↵鍵，確定設定。

要設定馬力設定：

LCD顯示“HP”(馬力)時，在LED上選擇“5”或“10”。

每按一次▽或△鍵，顯示“5”或“10”改變。按↵鍵確定設定。

要設定面板(LED)熄滅功能 ON/OFF：

在LCD顯示“disp”時，在LED顯示屏上選擇“ON”(配備)或“OFF”(未配備)。

祇要按△或▽鍵，則所顯示的“ON”或“OFF”會改變。

按↵鍵，確定設定。

注：在面板(LED)的熄滅功能為ON時，按O/CHART鍵兩次，LED面板熄滅。

要設定壓縮機卸載系統：

在LCD顯示“COMP”時，在LED顯示屏上選擇“33”(配備)或“100”(未配備)。

祇要按△或▽鍵，則所顯示的“33”或“100”會改變。

注：“33”設定僅適用於LXE10D型。

要設定除濕綫圈 ON/OFF：

在LCD顯示“REHEAT”時，在LED顯示屏上選擇“ON(配備)”或“OFF(未配備)”。

祇要按△或▽鍵，則所顯示的“ON”或“OFF”會改變。

按↵鍵，確定設定。

### 3. 壓力錶接頭的安裝，拆卸

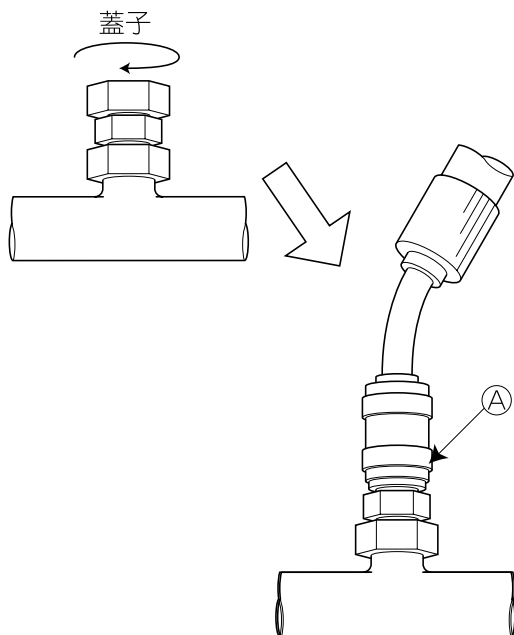
#### 3.1 冷媒的回收

- ①如果要將冷媒從冷媒系統中取出，請務必使用冷媒回收機，以免破壞地球臭氧層。
- ②關於對冷媒的處理，請遵守維修所在國家的行政機關制定的有關環境的所有法律規定。

#### 3.2 壓力錶接頭的安裝，拆卸

##### (1) 壓力錶接頭的安裝

用扳手將維修口的蓋子拆下，在旋轉Ⓐ的同時用手擰緊壓力錶接頭的充氣軟管。



※維修口蓋子安裝拆卸時的注意事項

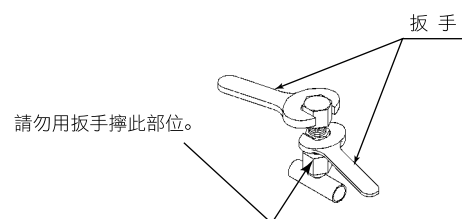
- 拆卸和安裝維修口蓋子時，請使用兩把扳手。
- 擰緊維修口蓋子時，請按下述扭矩進行擰緊，以防氣體泄漏。

扭矩值：12.7N·m±10%

注意：關於快速接頭式的維端口歧管儀錶的安裝及拆卸，請參見TR02-04B的第4-1頁。

### ⚠ 注意

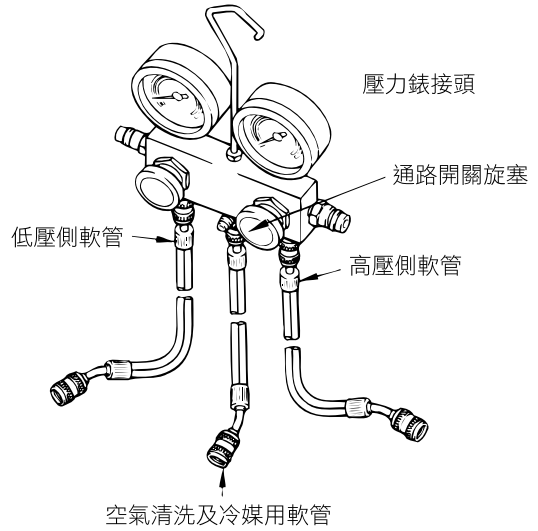
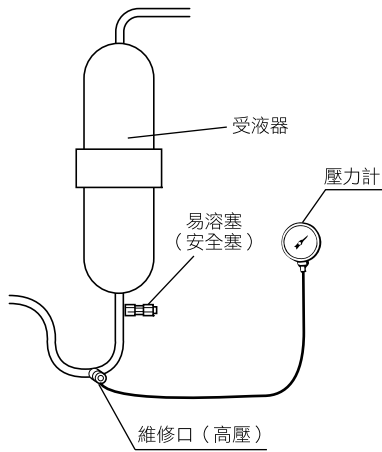
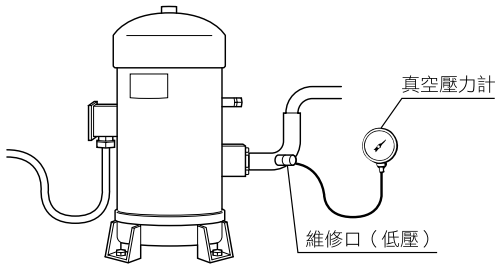
1. 為防止異物及水分的侵入，在日常點檢中請盡量避免使用壓力錶接頭，而使用控制器的壓力顯示功能。
2. 為防止異常冷媒，冷凍機油的混入，請不要使用迄今為止一直使用的CFC12用壓力計，壓力錶接頭，充氣軟管以及充氣氣缸。



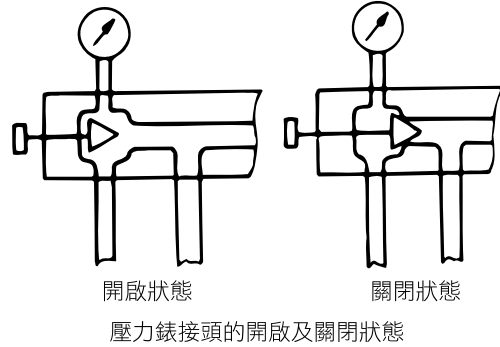


●作業時的注意事項

- ①連接時，應一邊旋轉一邊注意不要讓配管發生彎曲。
- ②連接時，如果充氣軟管內殘留有冷媒，就可能發生難於結合的情況。此時，要把軟管內的殘餘壓力釋放後再進行操作。

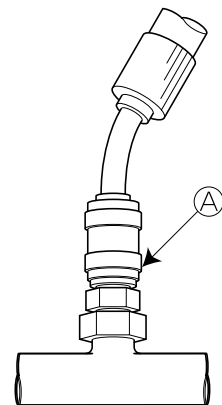


壓力錶接頭的結構



(2) 壓力錶接頭的拆卸

用手旋轉壓力錶接頭的接頭 (A部)，將壓力錶接頭拆下。



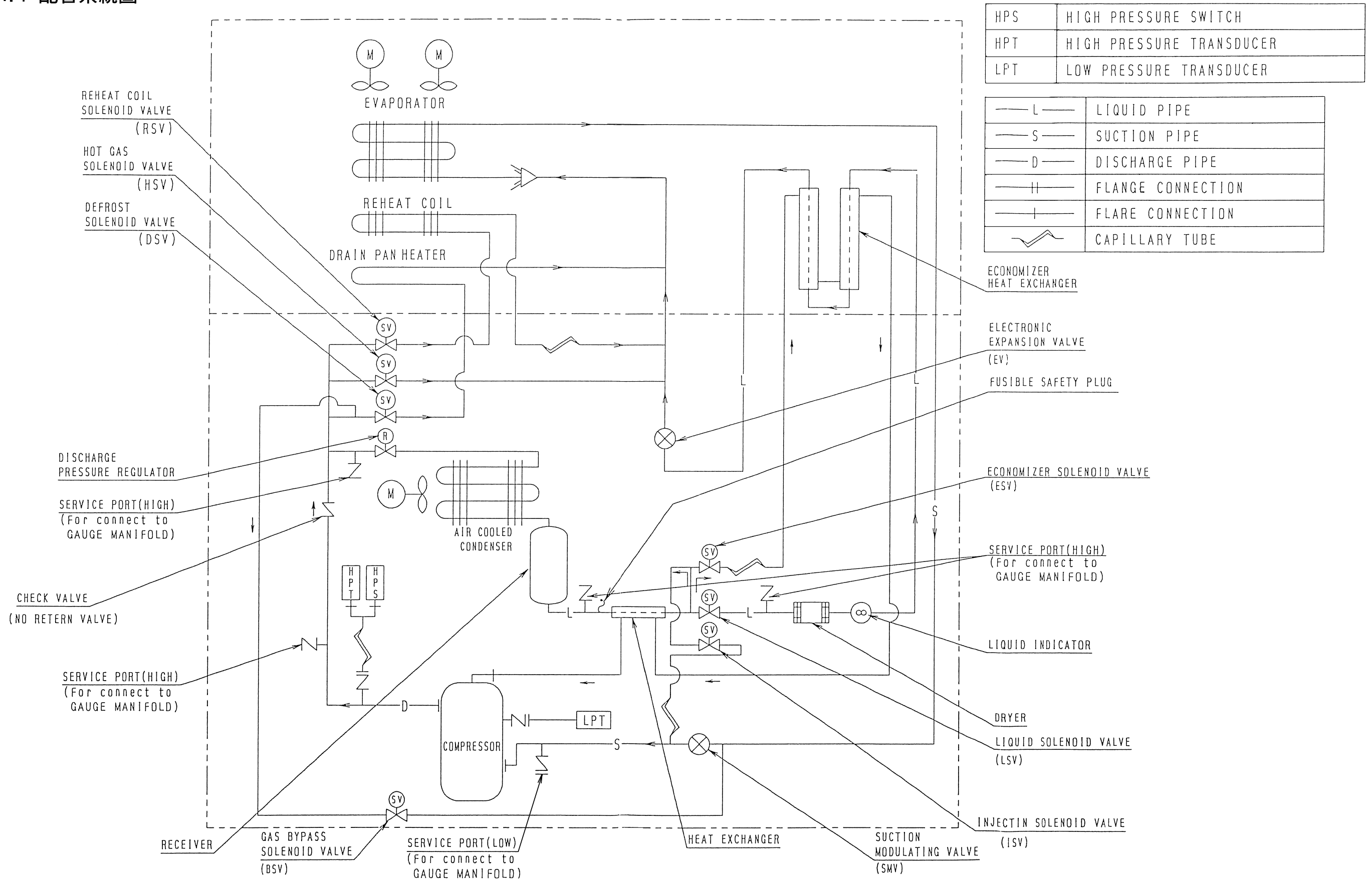
**!** 注意

壓力錶接頭拆下後，一定要將蓋子安裝在維修口上。

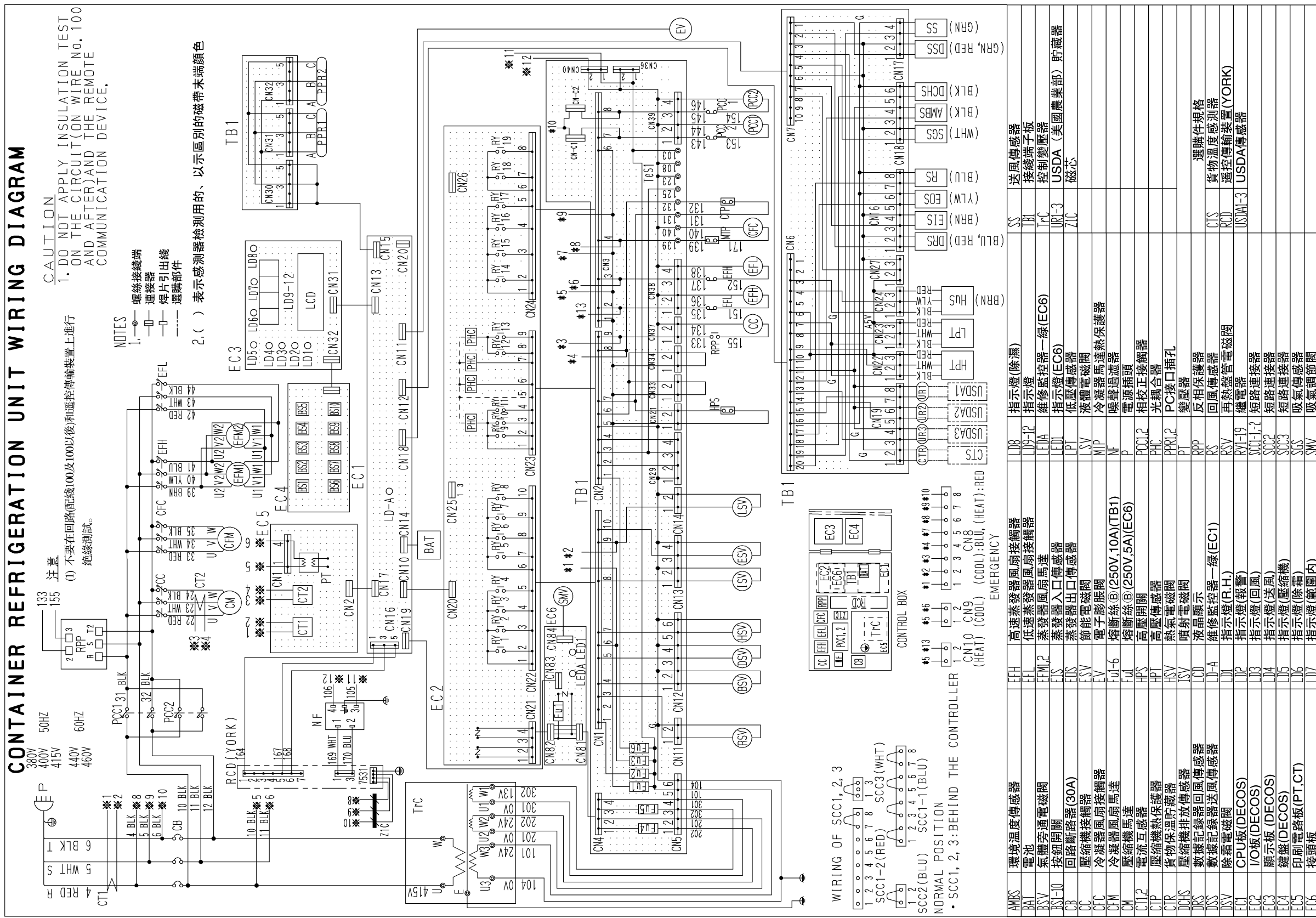
<https://daikin-p.ru>

## 4. 附圖

### 4.1 配管系統圖



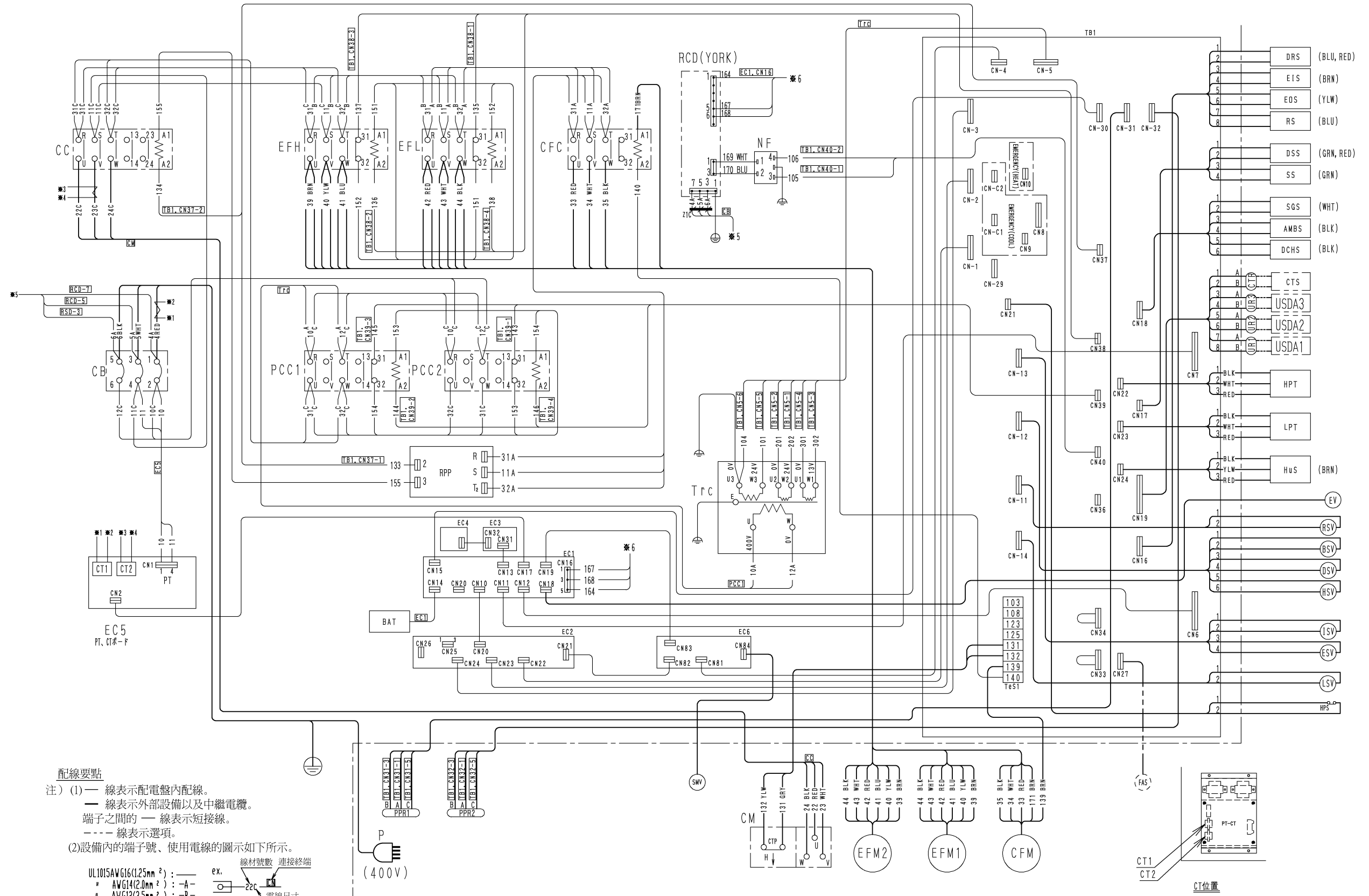
4.2 電氣配線圖



LXE10E-A45

2D060185-1A

## 4.3 配線立體圖



<https://daikin-p.ru>

## 掲載機種

このサービスガイドは本ユニットの特長及び取扱いについてサービスガイド（サービス編 TR 01-08B）と異なる事項のみ掲載しております。

| NO. | 項 目               | サービスガイド（サービス編）と異なる点 |
|-----|-------------------|---------------------|
| 1☆  | ジーセット運転           |                     |
| 2☆  | コントローラ設定          |                     |
| 3☆  | ゲージマニホールドの取付け、取外し | ゲージマニホールド接続用 VCS    |

☆印の項目については次ページ以降に詳細説明を掲載しています。

## モデルによる違い

| 機種      | LXE10E-A45     | LXE10E-A45A | 参照ページ |
|---------|----------------|-------------|-------|
| 変更内容    |                |             |       |
| サービスポート | クイックジョイント式(標準) | ネジ式         | 57,58 |

|  |            |
|--|------------|
| 取扱上の注意   |            |
| ・危険  | 4          |
| ・警告  | 5          |
| ・注意  | 7          |
| <b>1. 概要</b>   | <b>1-1</b> |
| 1.1 運転範囲   | 1-1        |
| 1.2 各部の名称  | 1-1        |
| 1.3 運転操作   | 1-2        |
| 1.3.1 運転準備と操作  | 1-2        |
| 1.3.2 運転中の点検   | 1-3        |
| 1.3.3 停止後の処置   | 1-3        |
| 1.3.4 ベンチレータの開閉  | 1-4        |
| <b>2. 製品データ</b>  | <b>2-1</b> |
| 2.1 主仕様  | 2-1        |
| 2.2 部品名称   | 2-2        |
| 2.2.1 庫外側  | 2-2        |
| 2.2.2 庫内側  | 2-5        |
| 2.2.3 コントロールボックス   | 2-7        |
| 2.3 機能部品・保護装置の設定値  | 2-12       |
| 2.4 運転圧力と電流値   | 2-13       |
| 2.5 運転モードと制御   | 2-17       |
| 2.5.1 フローズン運転  | 2-18       |
| 2.5.2 チルド、パースシャルフローズン運転  | 2-20       |
| 2.5.3 デフロスト運転  | 2-22       |
| 2.5.4 除湿制御運転（オプション）  | 2-25       |
| 2.5.5 共通制御   | 2-26       |
| <b>3. 電子式コントローラ</b>  | <b>3-1</b> |
| 3.1 機能   | 3-1        |
| 3.2 電子式コントローラの基本操作   | 3-3        |
| 3.2.1 コントロールパネル  | 3-3        |
| 3.3 操作方法   | 3-6        |
| 3.3.1 操作方法フローチャート  | 3-6        |
| 3.3.2 各表示モード操作方法   | 3-9        |
| 1.カレント(運転状態)表示モード  | 3-9        |
| 2.運転設定モード  | 3-10       |
| 3.電池モード  | 3-11       |
| ☆ 4.モード運転  | 3-12       |
| 5.表示(LED部)消灯モード  | 3-14       |
| 6.センサ表示モード   | 3-15       |
| 7.温度記録スクロールモード   | 3-18       |
| 8.アラーム記録スクロールモード   | 3-21       |
| 9.PTIレコードスクロールモード  | 3-23       |
| 3.3.3 設定フローチャート  | 3-24       |
| ☆ 10.オプション機能設定モード  | 3-26       |
| 11.基本機能設定モード   | 3-27       |
| 12.オプション条件機能設定モード  | 3-29       |
| 13.インプットデータモード   | 3-31       |
| 14.コントローラソフトダウンロードモード  | 3-32       |
| 3.4 アラーム表示とバックアップ機能  | 3-33       |
| 3.4.1 アラーム一覧表  | 3-33       |
| 3.4.2 センサ異常時のバックアップ運転  | 3-34       |
| 3.5 バックアップ用電池  | 3-36       |
| 3.5.1 仕様   | 3-36       |
| 3.5.2 機能   | 3-36       |
| 3.5.3 バッテリチェック   | 3-36       |
| 3.5.4 バッテリ交換（充電式電池）  | 3-37       |
| 3.6 パソコンとの情報交換   | 3-38       |
| 3.6.1 データロギング  | 3-39       |
| 3.6.2 パソコンソフトの構成   | 3-40       |
| 3.7 コントローラの点検方法  | 3-42       |
| 3.8 コントローラの交換および初期設定   | 3-43       |
| 3.8.1 コントローラの交換  | 3-43       |
| 3.8.2 コントローラDECOSⅢdとⅢc & Ⅲbとの互換性   | 3-44       |
| 3.8.3 LXE10E-1, LXE10E-A & LXE10D スペアコントローラ<br>DECOSⅢd, DECOSⅢc & DECOSⅢb交換時のイニシャル設定手順 | 3-46       |
| 3.8.4 LXE10E-1 & LXE10E-A スペアコントローラDECOSⅢdの初期設定表                                       | 3-47       |
| 3.8.5 LXE10E-A スペアコントローラDECOSⅢcの初期設定表  | 3-48       |
| 3.8.6 LXE10D スペアコントローラDECOSⅢbのイニシャル設定表   | 3-49       |
| 3.9 PTI（使用前点検）と定期点検  | 3-50       |
| 3.9.1 点検項目   | 3-51       |
| 3.9.2 自動PTI  | 3-54       |
| 3.9.2.1 PTI選択モード   | 3-55       |
| 3.9.2.2 S.PTI  | 3-56       |
| 3.9.2.3 F.PTI  | 3-57       |
| 3.9.2.4 PTI(使用前点検)中のアラーム一覧   | 3-58       |
| 3.9.2.5 M.CHECK  | 3-59       |
| 3.10 チャートレス機能  | 3-61       |
| 3.10.1 チャート表示機能  | 3-61       |
| 3.10.2 Pコード(プルダウンタイム表示)  | 3-63       |
| 3.10.3 チャートレスコード   | 3-64       |
| 3.10.3.1 チャートレスコード一覧   | 3-64       |
| 3.10.3.2 H-コード   | 3-65       |
| 3.10.3.3 d-コード   | 3-67       |
| 3.11 通信モデム   | 3-68       |
| <b>4. サービスとメンテナンス</b>  | <b>4-1</b> |
| 4.1 サービスの方法  | 4-1        |
| ☆ 4.1.1 冷媒の回収  | 4-1        |
| ☆ 4.1.2 ゲージマニホールドの取付け、取外し  | 4-1        |
| 4.1.3 自動ポンプダウン   | 4-3        |
| 4.1.4 冷媒の回収および充填   | 4-5        |
| 4.2 主要機器とメンテナンス  | 4-8        |
| 4.2.1 スクロール圧縮機   | 4-8        |
| 4.2.2 ファンおよび電動機  | 4-12       |
| 4.2.3 PT/CTボード(EC9756)   | 4-13       |
| 4.2.4 電子膨張弁  | 4-15       |
| 4.2.5 吸入比例弁  | 4-16       |
| 4.2.6 ドライヤ   | 4-17       |
| 4.2.7 電磁弁  | 4-18       |
| 4.2.8 吐出圧力調整弁  | 4-19       |
| 4.2.9 逆止弁  | 4-19       |
| 4.2.10 高圧圧力開閉器 (HPS)   | 4-20       |
| 4.2.11 低圧圧力センサ (LPT)   | 4-20       |
| 4.2.12 高圧圧力センサ (HPT)   | 4-21       |
| 4.2.13 空冷凝縮器、蒸発器   | 4-21       |
| 4.2.14 可溶栓   | 4-21       |
| 4.2.15 リキッド/モイスチャーインジケータ   | 4-22       |
| 4.2.16 真空乾燥  | 4-23       |



目次

|   |            |   |      |
|---|------------|---|------|
| <b>5. オプション</b> .....   | <b>5-1</b> | 8.2.8 ジーセット運転2 .....                            | 8-32 |
| 5.1 電子式温度記録計 .....  | 5-1        | 8.2.9 バルブモード .....                              | 8-33 |
| 5.1.1 標準型 .....   | 5-1        | 8.2.10 除湿制御 .....                               | 8-35 |
| 5.1.2 リチャージャブルバッテリー型 .....  | 5-3        | 8.2.11 マニュアルチェック選択モード .....                     | 8-39 |
| 5.2 USDA低温処理輸送 .....  | 5-4        | 8.2.12 F.PTI仕様 .....                            | 8-40 |
| 5.2.1 USDAセンサ、レセプタクルの型式 .....   | 5-4        | 8.2.13 リチャージャブルバッテリー .....                      | 8-42 |
| 5.2.2 初期設定 .....  | 5-4        | 8.3 コントロールボックス .....                            | 8-43 |
| 5.2.3 USDAセンサカリブレーション .....   | 5-4        | 8.3.1 パソコンレセプタクル、<br>予備ヒューズのコントロールボックス内装備 ..... | 8-43 |
| 5.2.4 USDA低温処理輸送要件 .....  | 5-4        | 8.3.2 ケーブルクランプ金具1 .....                         | 8-44 |
| 5.2.5 USDA事務所要求の書類作成 .....  | 5-4        | 8.3.3 ケーブルクランプ金具2 .....                         | 8-45 |
| 5.3 TransFRESH .....  | 5-6        | 8.4 USDA低温処理輸送 .....                            | 8-46 |
| <b>6. 故障診断</b> .....  | <b>6-1</b> | 8.4.1 USDAセンサ、レセプタクルの型式 .....                   | 8-46 |
| 6.1 冷媒システム・電気システム .....   | 6-1        | 8.4.2 初期設定 .....                                | 8-46 |
| 6.2 アラームコードの診断 .....  | 6-13       | 8.4.3 USDAセンサカリブレーション .....                     | 8-46 |
| 6.3 自動PTIのトラブルシューティング(Jコード) .....                                     | 6-17       | 8.4.4 USDA低温処理輸送要件 .....                        | 8-46 |
| 6.4 記録紙による診断 .....  | 6-19       | 8.4.5 USDA事務所要求の書類作成 .....                      | 8-46 |
| 6.5 緊急運転の方法 .....   | 6-22       | 8.5 TransFRESH .....                            | 8-48 |
| 6.5.1 コントローラの緊急運転 .....   | 6-22       | 8.6 特殊サービスポート .....                             | 8-50 |
| 6.5.2 コントローラの短絡運転 .....   | 6-23       | 8.6.1 冷媒の回収 .....                               | 8-50 |
| 6.5.3 電子膨張弁の緊急運転 .....  | 6-25       | 8.6.2 ゲージマニホールドの取付け、取外し .....                   | 8-50 |
| 6.5.4 吸入比例弁の緊急運転方法 .....  | 6-26       | 8.7 圧力計 .....                                   | 8-52 |
| 6.5.5 吹出センサ・吸入センサ緊急運転 .....   | 6-27       |   |      |
| <b>7. 付図</b> .....  | <b>7-1</b> |   |      |
| 7.1 ボルトの標準締付トルク .....   | 7-1        |   |      |
| 7.2 フレヤナットの標準締付トルク .....  | 7-1        |   |      |
| 7.3 モータコイル及び電磁弁コイルの抵抗値 .....  | 7-1        |   |      |
| 7.4 電子膨張弁コイルの標準締付トルク (EVコイル) .....                                    | 7-1        |   |      |
| 7.5 HFC134a、温度一蒸気圧特性表 .....   | 7-2        |   |      |
| 7.6 温度換算表と温度センサ(SS/RS/DSS/DRS/RSS/RRS/EIS/EOS/SGS<br>/AMBS) 特性表 ..... | 7-3        |   |      |
| 7.7 温度換算表と温度センサ(DCHS) 特性表 .....                                       | 7-4        |   |      |
| 7.8 高圧圧力センサ特性表 .....  | 7-4        |   |      |
| 7.9 低圧圧力センサ特性表 .....  | 7-4        |   |      |
| ☆ 7.10 配管系統図 .....  | 7-5        |   |      |
| 7.11 電気配線 .....   | 7-6        |   |      |
| 7.12 ヒューズ保護対象表 .....  | 7-7        |   |      |
| 7.13 シーケンス (コネクタ型ターミナルボード+充電式バッテリー) .....                             | 7-9        |   |      |
| 7.14 実体配線図 (コネクタ型ターミナルボード+充電式バッテリー) .....                             | 7-10       |   |      |
| 7.15 シーケンス (コネクタ型ターミナルボード+温度記録計+ドライバッテリー) .....                       | 7-11       |   |      |
| ☆ 7.16 実体配線図 (コネクタ型ターミナルボード+温度記録計+ドライバッテリー) .....                     | 7-12       |   |      |
| 7.17 シーケンス (丸型圧着端子型ターミナルボード+温度記録計+ドライバッテリー) .....                     | 7-13       |   |      |
| 7.18 実体配線図 (丸型圧着端子型ターミナルボード+温度記録計+ドライバッテリー) .....                     | 7-14       |   |      |
| <b>8. 補足版マニュアル</b> .....  | <b>8-1</b> |   |      |
| 8.1 電子式温度記録計 .....  | 8-2        |   |      |
| 8.1.1 標準型 .....   | 8-2        |   |      |
| 8.1.2 リチャージャブルバッテリー型 .....  | 8-4        |   |      |
| 8.2 コントローラ関連 .....  | 8-5        |   |      |
| 8.2.1 標準と異なる操作1 .....   | 8-5        |   |      |
| 8.2.2 標準と異なる操作2 .....   | 8-9        |   |      |
| 8.2.3 標準と異なる操作3 .....   | 8-22       |   |      |
| 8.2.4 標準と異なるコントローラ設定 .....  | 8-26       |   |      |
| 8.2.5 設定温度と運転モード(パージバルブモード付) .....                                    | 8-30       |   |      |
| 8.2.6 デフロストインターバル .....   | 8-31       |   |      |
| 8.2.7 ジーセット運転1 .....  | 8-32       |   |      |

# 目 次


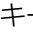

|                       |    |
|-----------------------|----|
| 1. ジーセット運転            | 53 |
| 2. コントローラ設定           | 54 |
| 2.1 設定フローチャート         | 54 |
| 2.2 基本機能設定モード         | 56 |
| 3. ゲージマニホールドの取付け、取外し  | 58 |
| 3.1 冷媒の回収             | 58 |
| 3.2 ゲージマニホールドの取付け、取外し | 58 |
| 4. 附図                 | 61 |
| 4.1 配管系統図             | 61 |
| 4.2 シーケンス             | 62 |
| 4.3 実体配線図             | 63 |

## 1. ジーセット運転

ジーセット運転

本機は、初めから“12” (kVA) がセットされています。

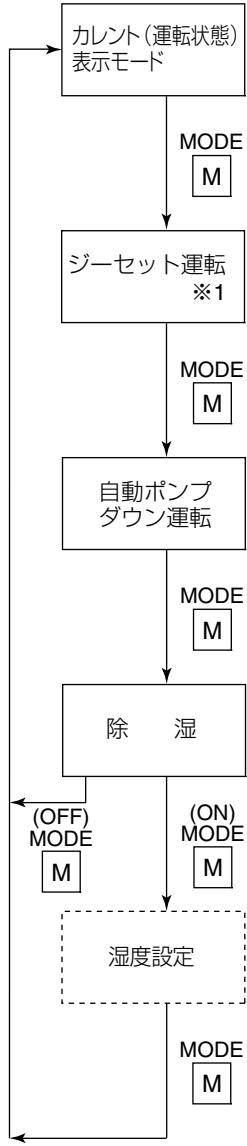


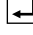


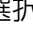


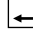


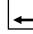
①モードキーを押します。

②  キー・ キーでLED画面の“11”、“12”、“13”、“14”、“15” (kVA)、“OFF” を選択し、 キーで確定します。選択された値以下で消費電力低減運転を行います。

※ジーセット運転を解除するには、上記操作②で OFFに設定します。

※“12” (kVA) 以外に設定した状態で電源を切ると、自動的に“12” (kVA) に戻ります。

※kVAで表示されますが、実際にはkWの値です。

| 設定項目   | LED 画面  | LCD 画面 | 設定方法  |
|--|---------|--------|---|
|  | —       | —      | —   |
| 低消費電力<br>設定値<br>OFF、11、12、<br>13、14、15<br>単位はkVA                                   | G-SET   |        |   キーで低消費電力設定値を選択し  キーで確認します。       |
| ON, OFF  | P down  |        |   キーでONを選択し  キーで確認します。           |
| ON/OFF   | dHu     |        |   キーで希望の設定を選択しその後  キーを押します。      |
| 95% RH~60%RH   | SET-Shu |        |   キーで希望の設定を選択し、その後  キーを押して決定します。 |

※1) •消費電力低減運転を設定して、電源を切り、30分経過すると消費電力低減運転を自動的に解除します。

## 2. コントローラ設定

### 2.1 設定フローチャート

下図の設定を使用するのは下記の場合です。

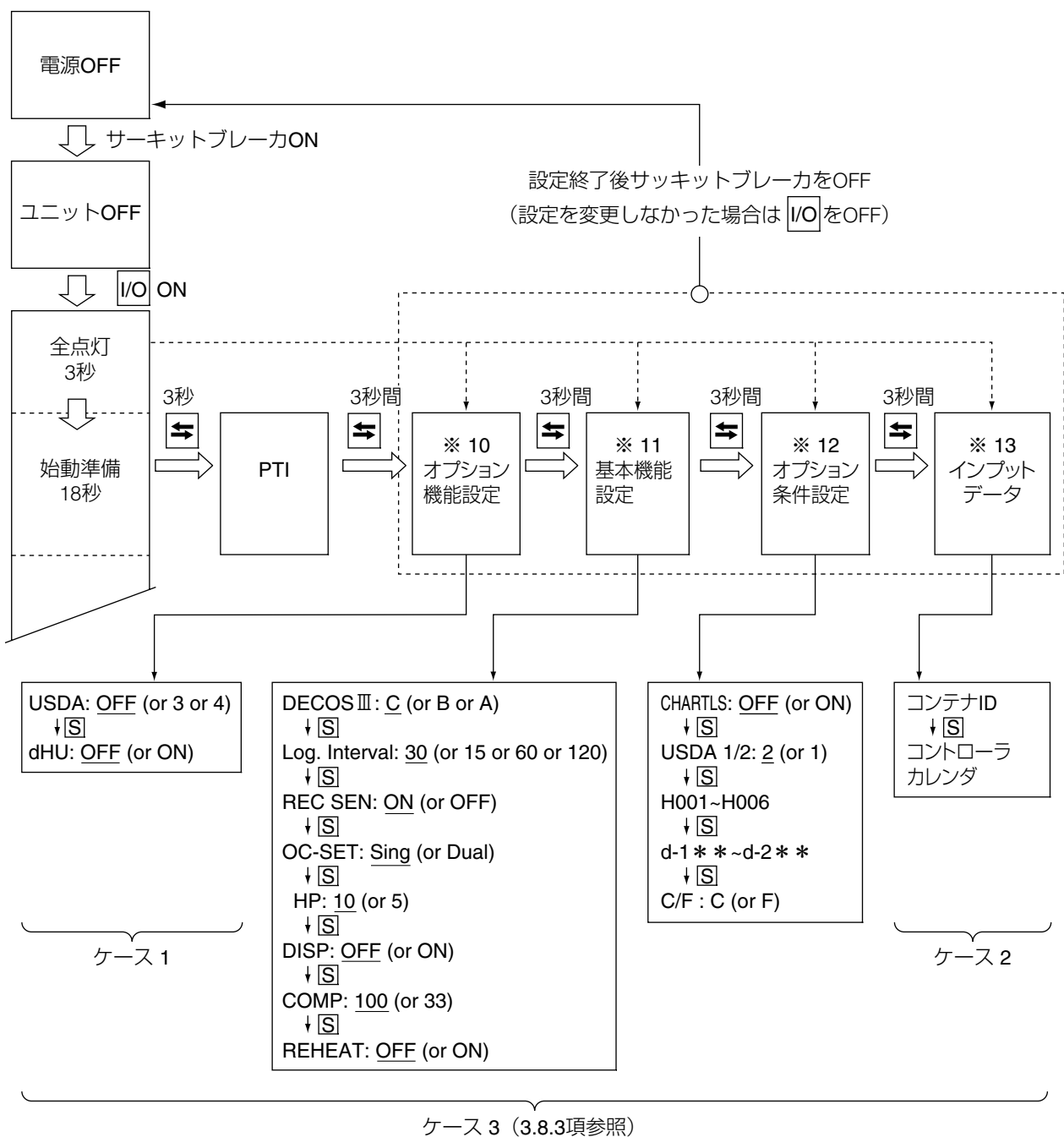
ケース1) USDA低温処理輸送設定が必要な場合。(※10. オプション機能設定)

ケース2) 緊急にコンテナIDを他のIDから変更する場合。(※コンテナIDとカレンダー設定)

ケース3) コントローラを新しく交換した場合。(※P.3-25の※10~13の全設定の設定が必要)

注1) 本ユニットが配送された時にはすべての初期設定は完了しています。

注2) 設定変更が終了したらサーキットブレーカを一旦切ってください。



## コントローラの初期設定

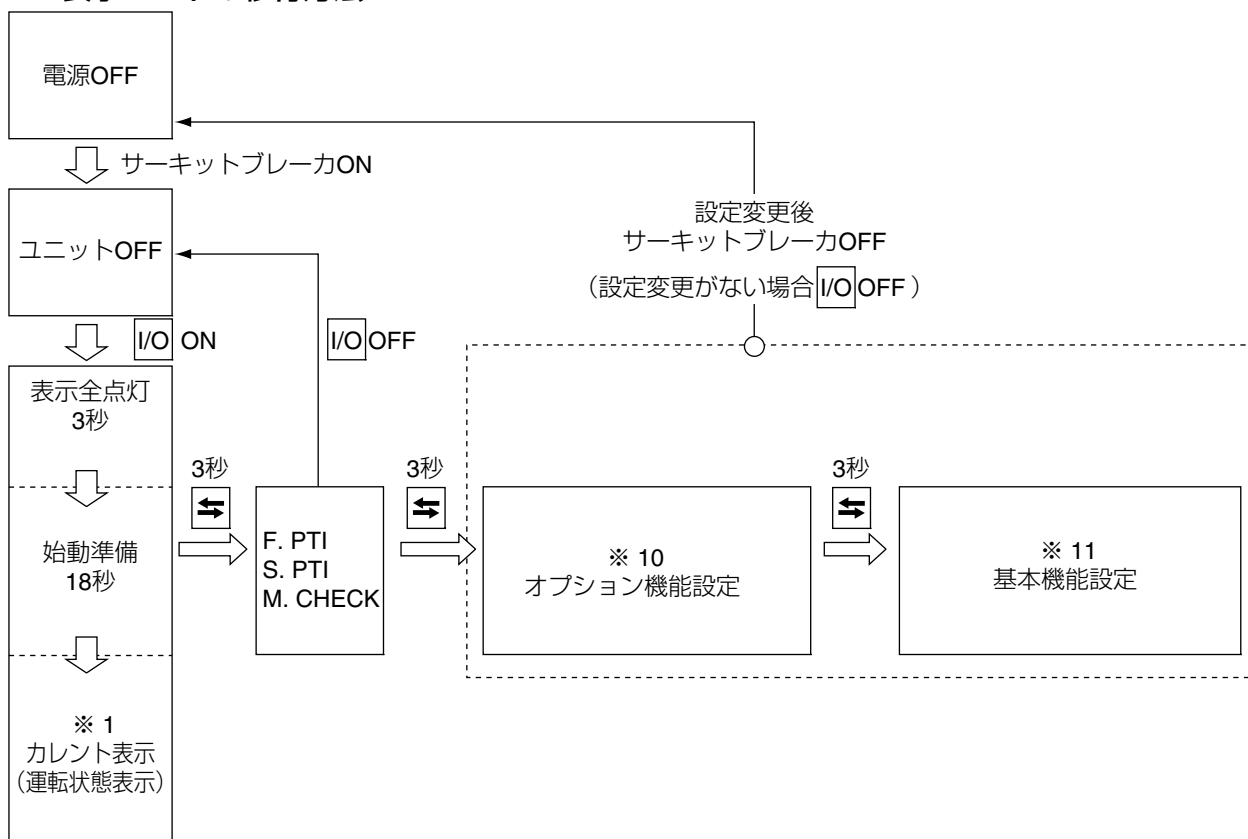
|  |  |        |
|--|--|--------|
| <b>※10. オプション機能モード</b>   |  |        |
| コントローラを交換した場合にオプション機能を設定します。   | <ul style="list-style-type: none"> <li>●USDAセンサ有/無設定</li> <li>●除湿制御有/無設定</li> </ul>  | P 3-26 |
| <b>※11. 基本機能設定モード</b>  |  |        |
| コントローラを交換した場合に基本機能を設定します。  | <ul style="list-style-type: none"> <li>●ロギングインターバル</li> <li>●データレコーダセンサ有/無</li> </ul>  | P 3-27 |
| <ul style="list-style-type: none"> <li>●コントローラタイプ</li> <li>●圧縮機アンロード</li> <li>●レヒートコイル</li> </ul>                  | <ul style="list-style-type: none"> <li>●電源</li> <li>●圧縮機、馬力</li> <li>●表示 (LED部) 消灯機能有/無</li> </ul>                                 | P 3-28 |
| <b>※12. オプション条件設定モード</b>   |  |        |
| <ul style="list-style-type: none"> <li>●チャートレス機能のdコード、Hコードを設定します。</li> <li>●USDAセンサのタイプ</li> <li>●℃/F設定</li> </ul> | <ul style="list-style-type: none"> <li>●H001</li> <li>●H002</li> <li>●H003</li> <li>●H004</li> <li>●H005</li> <li>●H006</li> </ul> | P 3-29 |
|  | <ul style="list-style-type: none"> <li>●d1--</li> <li>●d2--</li> <li>●d3--</li> <li>●d-1-</li> <li>●d-2-</li> </ul>                | P 3-30 |
|  |  | P 3-31 |
| <b>※13. インプットデータモード</b>  |  |        |
| コンテナIDとコントローラ時刻を設定します。   | <ul style="list-style-type: none"> <li>●コンテナI.D. (No.)</li> <li>●コントローラ時刻</li> </ul>   | P 3-31 |
|  |  | P 3-32 |

## パソコンとコントローラ

|   |  |        |
|---|--|--------|
| <b>※14. コントローラソフトダウンロードモード</b>                      |  |        |
| パソコンとコントローラ間でデータ交換ができます。<br>[パソコンソフトガイド] を参照してください。 |  | P 3-32 |

## 2.2 基本機能設定モード

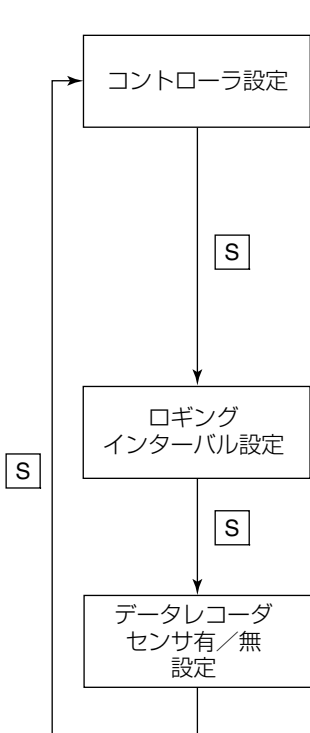
### <表示モードの移行方法>



### <操作方法>

[S]キーを押すごとに表示が変わります。

確定する時は、一度、電源ブレーカをOFFしてください。



コントローラの設定を行うときは、

LCD画面に「dECOS-3」と表示しているときに、LED画面に表示された「A」、「b」、「c」から選択します。「A」、「b」、「c」は $\triangle$ キーまたは、 $\nabla$ キーを押すごとに表示が変わります。確定するときは、 $\leftarrow$ キーを押します。

DECOS-Ⅲaは、「A」、DECOS-Ⅲbは、「b」、DECOS-Ⅲcは、「c」です。

本ユニットは「DECOS-Ⅲc」の機能を追加しています。

「C」を選択して、 $\leftarrow$ キーを押して確定します。

ロギングインターバルの設定を行うときは、

LCD画面に「LOG INT」と表示しているときに、LED画面に表示された「15」、「30」、「60」から選択します。数字の単位は分です。

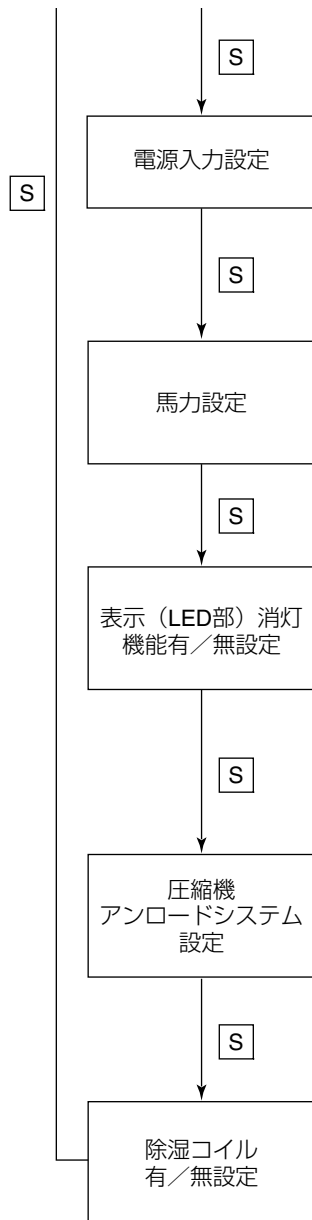
「15」、「30」「60」は $\triangle$ キーまたは、 $\nabla$ キーを押すごとに表示が変わります。

確定するときは、 $\leftarrow$ キーを押します。

データレコーダセンサ有/無の設定を行うときは、

LCD画面に「REC SEN」と表示しているときに、LED画面に表示された「ON (有)」、「OFF (無)」から選択します。

「ON (有)」、「OFF (無)」は $\triangle$ キーまたは、 $\nabla$ キーを押すごとに表示が変わります。確定するときは、 $\leftarrow$ キーを押します。



電源入力の設定を行うときは、LCD画面に「OC-SET」と表示しているときに、LED画面に表示された「Sing」、「dUAL」から選択します。

「Sing」、「dUAL」は $\triangle$ キーまたは、 $\nabla$ キーを押すごとに表示が変わります。確定するときは、 $\leftarrow$ キーを押します。

本ユニットは「Sing」を選択して、 $\leftarrow$ キーを押し確定します。

馬力の設定を行うときは、

LCD画面に「HP」(Horse Power)と表示しているときに、LED画面に表示された「5」、「10」から選択します。

「5」、「10」は $\triangle$ キーまたは、 $\nabla$ キーを押すごとに表示が変わります。

確定するときは、 $\leftarrow$ キーを押します。

表示(LED部)消灯機能有/無の設定を行うときは、

LCD画面に「dISP」と表示しているときに、LED画面に表示された「ON(消灯機能有)」、「OFF(消灯機能無)」から選択します。

「ON(消灯機能有)」、「OFF(消灯機能無)」は $\triangle$ キーまたは、 $\nabla$ キーを押すごとに表示が変わります。確定するときは、 $\leftarrow$ キーを押します。

注：この設定を「ON(消灯機能有)」にし、 $\overline{\text{CHART}}$ キーを2回押すことにより、コントローラの表示部のLED部を消灯させることが可能です。

圧縮機アンロードシステムの設定を行うときは、

LCD画面に「COMP」と表示しているときに、LED画面に表示された「33(アンロードシステム有)」、「100(アンロードシステム無)」から選択します。「33」、「100」は $\triangle$ キーまたは、 $\nabla$ キーを押すごとに表示が変わります。

注：この「33」設定はLXE10D型のみ適用します。

除湿コイル有/無の設定を行うときは、

LCD画面に「REHEAT」と表示しているときに、LED画面に「ON(除湿コイル有)」、「OFF(除湿コイル無)」から選択します。

「ON」、「OFF」は $\triangle$ キーまたは、 $\nabla$ キーを押すごとに表示が変わります。

確定するときには、 $\leftarrow$ キーを押します。

### 3. ゲージマニホールドの取付け、取外し

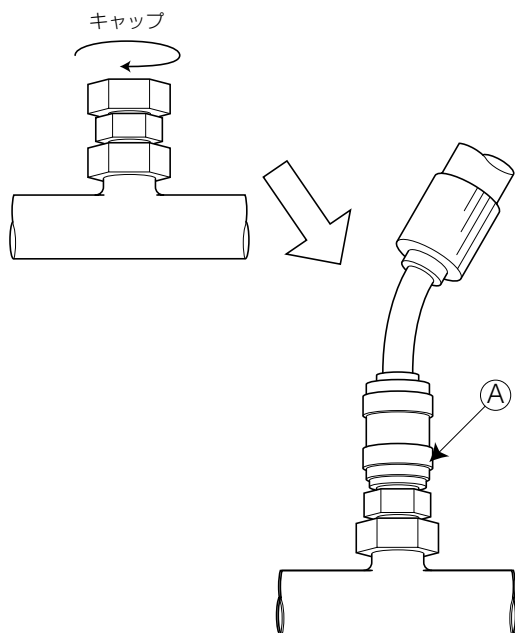
#### 3.1 冷媒の回収

- ①地球のオゾン層を破壊しないように、冷媒を冷媒系統から抜く必要がある場合は必ず冷媒回収機を使用してください。
- ②冷媒の取扱いについては修理する国における行政機関の環境に対するすべての法律に従ってください。

#### 3.2 ゲージマニホールドの取付け、取外し

##### (1) ゲージマニホールドを取り付ける場合

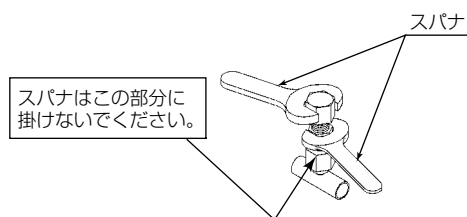
サービスポートのキャップをスパナで取外し、ゲージマニホールドのチャージホースを(A)部を回しながら手で締付けます。



##### ※サービスポートキャップ取扱いの注意事項

- ・サービスポートキャップの取外し及び取付け時は2丁のスパナを使用ください。
- ・サービスポートキャップを締付ける時はガス漏れが無いように下記のトルクで締付けください。

トルク値：12.7N・m±10%



注意：クイックジョイント式のサービスポートのマニホールドゲージの着脱についてはTR02-04Bのページ4-1を参照願います。

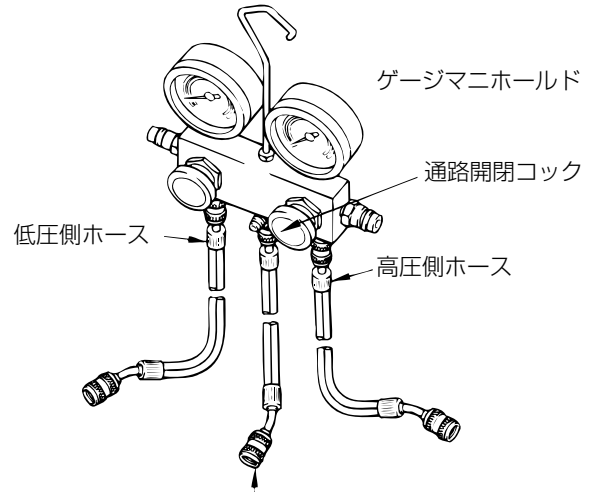
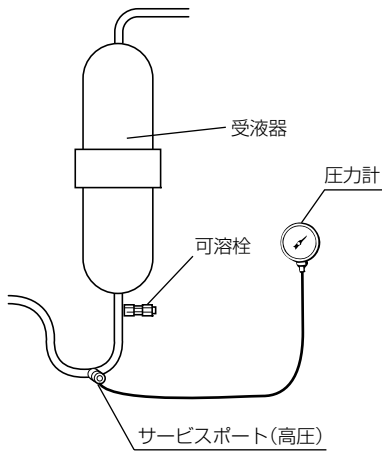
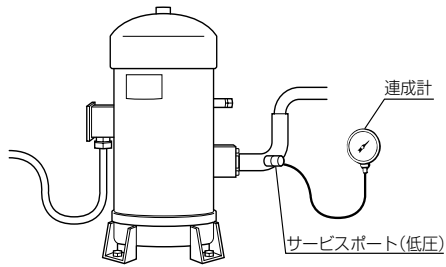
### ⚠ 注意

1. 異物・水分の侵入を防ぐため日常の点検ではゲージマニホールドの使用をできるだけさげ、コントローラの圧力表示機能を使用してください。
2. 異常冷媒、冷凍機油混合防止のため、今までに使用しているCFC12用の圧力計、ゲージマニホールド、チャージホース、チャージングシリンダを使用しないでください。

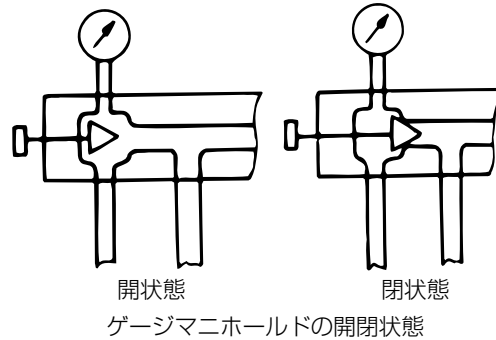


●作業上の注意

- ①接続する際、配管が曲がらないよう注意しながら回します。
- ②接続時チャージングホース内に冷媒が残っていると結合しにくい場合がある。この場合はホース内の残圧を取り除いてから操作します。

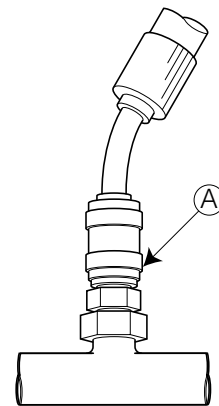


ゲージマニホールドの構造



(2) ゲージマニホールドを取り外す場合

ゲージマニホールドの継手 (A部) を手で回しながら取外します。



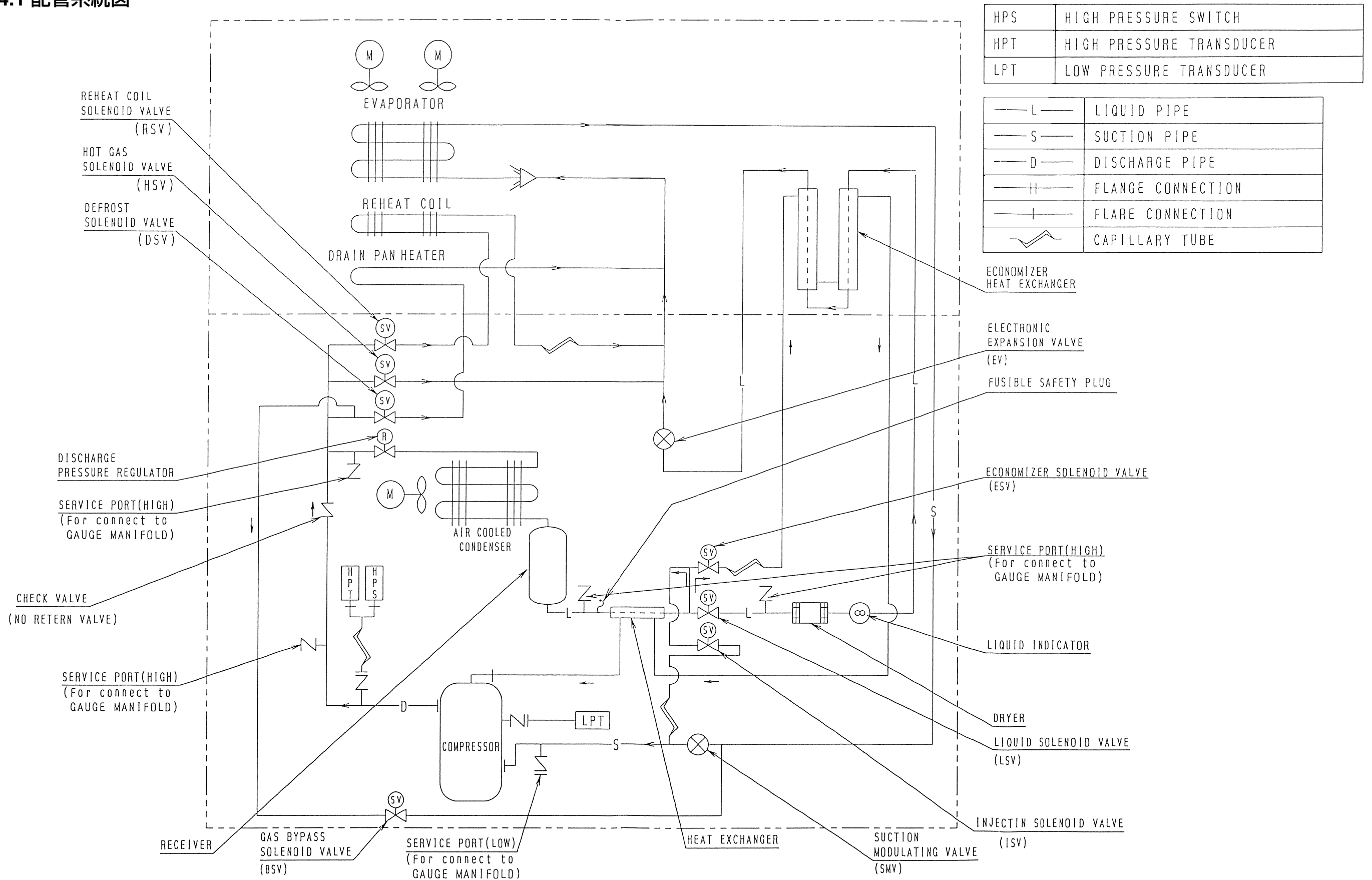
⚠ 注意

ゲージマニホールドを取り外した後、必ずサービスポートにキャップを取り付けること。

<https://daikin-p.ru>

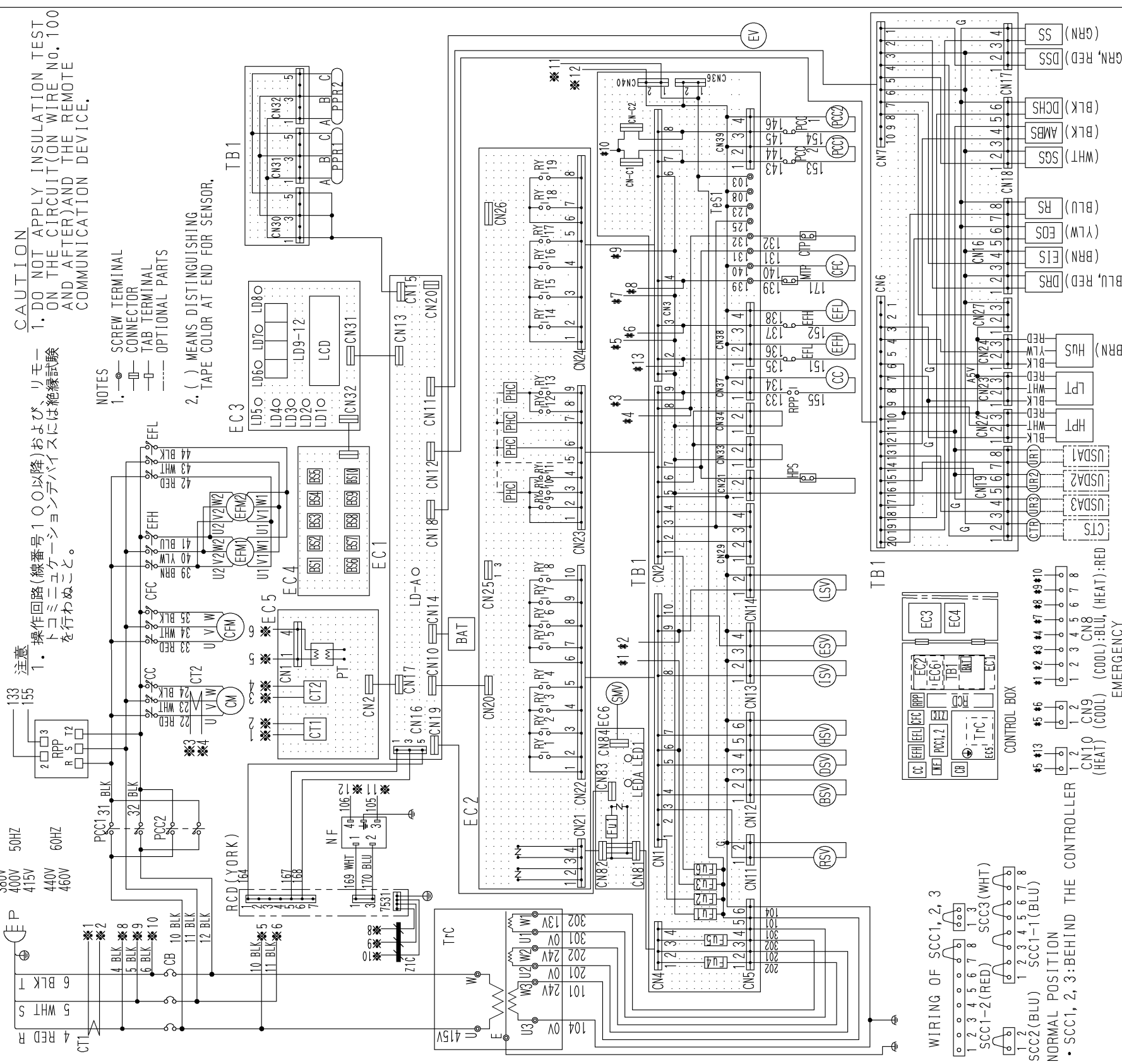
4. 付図

4.1 配管系統図



4.2 シーケンス

CONTAINER REFRIGERATION UNIT WIRING DIAGRAM



**CAUTION**  
 1. DO NOT APPLY INSULATION TEST ON THE CIRCUIT (ON WIRE NO. 100 AND AFTER) AND THE REMOTE COMMUNICATION DEVICE.

**NOTES**  
 1. — SCREW TERMINAL CONNECTOR  
 — TAB TERMINAL  
 — OPTIONAL PARTS  
 2. ( ) MEANS DISTINGUISHING TAPE COLOR AT END FOR SENSOR.

**注意**  
 1. 操作回路(線番号100以降)および、リモートコミュニケーションデバイスには絶縁試験を行わぬこと。

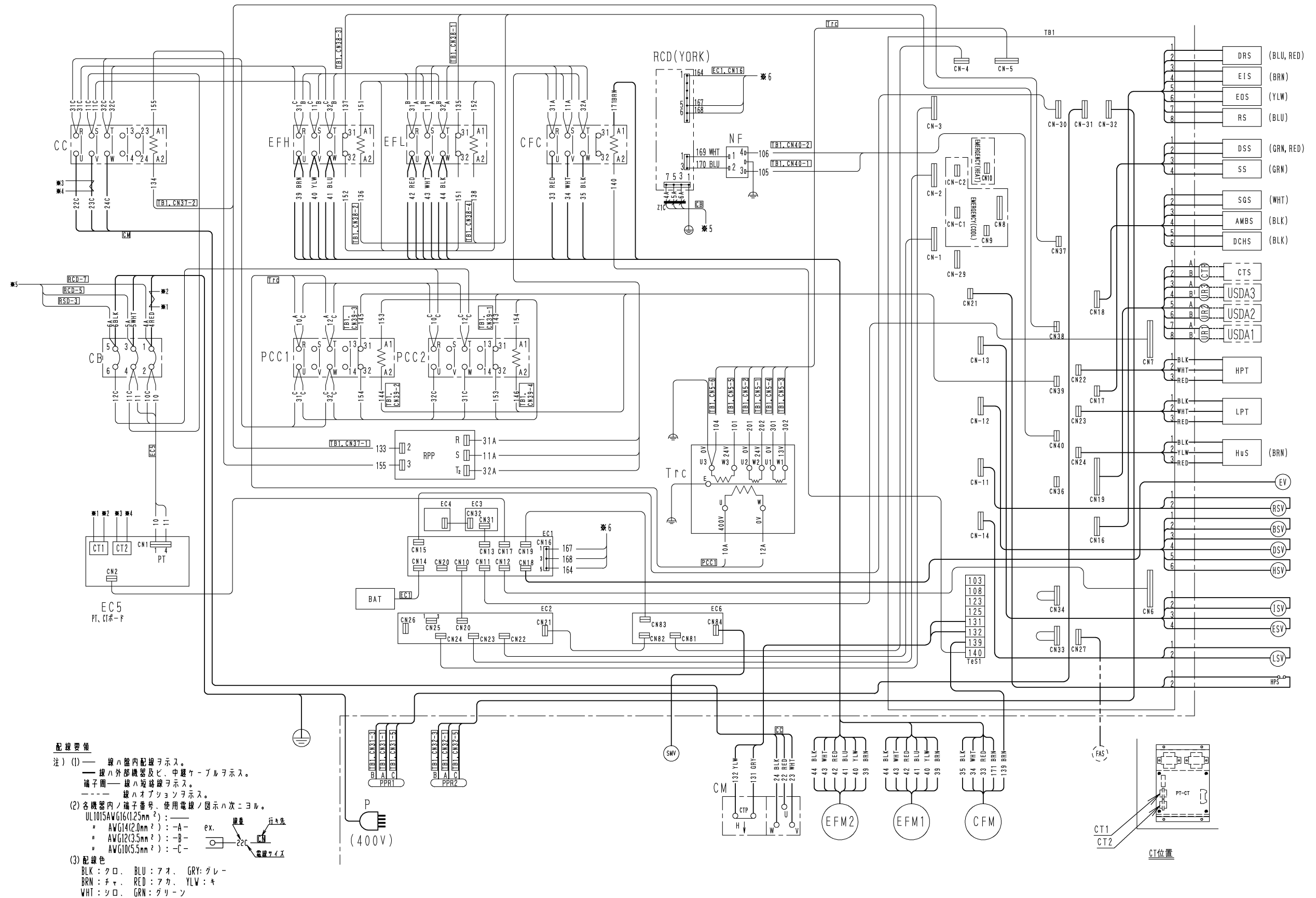
WIRING OF SCC1, 2, 3  
 SCC1-2 (RED) SCC3 (WHT)  
 SCC2 (BLU) SCC1-1 (BLU)  
 NORMAL POSITION  
 • SCC1, 2, 3: BEHIND THE CONTROLLER

| AMBS   | AMBIENT TEMP. SENSOR   | EFH     | HIGH SPEED EVAPORATOR FAN CONTACTOR  | LD7        | LIGHT-EMITTING DIODE (IN RANGE)  | SMV     | SUCTION MODULATING VALVE           |
|--------|--|---------|--|------------|--|---------|------------------------------------|
| BAT    | BATTERY  | EFL     | LOW SPEED EVAPORATOR FAN CONTACTOR <th>LD8</th> <th>LIGHT-EMITTING DIODE (DE-HUMID)</th> <td>SS</td> <td>SUPPLY AIR SENSOR</td>    | LD8        | LIGHT-EMITTING DIODE (DE-HUMID)  | SS      | SUPPLY AIR SENSOR                  |
| BSV    | GAS BYPASS SOLENOID VALVE <td>EFM1, 2</td> <td>EVAPORATOR FAN MOTOR <th>LD9-12</th> <th>LIGHT-EMITTING DIODE</th> <td>TB1</td> <td>TERMINAL BOARD</td> </td>                     | EFM1, 2 | EVAPORATOR FAN MOTOR <th>LD9-12</th> <th>LIGHT-EMITTING DIODE</th> <td>TB1</td> <td>TERMINAL BOARD</td>                            | LD9-12     | LIGHT-EMITTING DIODE   | TB1     | TERMINAL BOARD                     |
| BST-10 | PUSH BUTTON SWITCH <td>EIS</td> <td>EVAPORATOR INLET SENSOR <td>LEDA</td> <td>SERVICE MONITOR-GREEN (EC6) <td>TTC</td> <td>CONTROL TRANSFORMER</td> </td></td>                   | EIS     | EVAPORATOR INLET SENSOR <td>LEDA</td> <td>SERVICE MONITOR-GREEN (EC6) <td>TTC</td> <td>CONTROL TRANSFORMER</td> </td>              | LEDA       | SERVICE MONITOR-GREEN (EC6) <td>TTC</td> <td>CONTROL TRANSFORMER</td>            | TTC     | CONTROL TRANSFORMER                |
| CB     | CIRCUIT BREAKER (30A) <td>EOS</td> <td>EVAPORATOR OUTLET SENSOR <td>LED1</td> <td>LIGHT-EMITTING DIODE (EC6) <td>URT-3</td> <td>USDA RECEPTACLE </td></td></td>                  | EOS     | EVAPORATOR OUTLET SENSOR <td>LED1</td> <td>LIGHT-EMITTING DIODE (EC6) <td>URT-3</td> <td>USDA RECEPTACLE </td></td>                | LED1       | LIGHT-EMITTING DIODE (EC6) <td>URT-3</td> <td>USDA RECEPTACLE </td>              | URT-3   | USDA RECEPTACLE                    |
| CC     | COMPRESSOR CONTACTOR <td>ESV</td> <td>ECONOMIZER SOLENOID VALVE <td>LPT</td> <td>LOW PRESSURE TRANSDUCER <td>Z1C</td> <td>FERRITE CORE </td></td></td>                           | ESV     | ECONOMIZER SOLENOID VALVE <td>LPT</td> <td>LOW PRESSURE TRANSDUCER <td>Z1C</td> <td>FERRITE CORE </td></td>                        | LPT        | LOW PRESSURE TRANSDUCER <td>Z1C</td> <td>FERRITE CORE </td>                      | Z1C     | FERRITE CORE                       |
| CFC    | CONDENSER FAN CONTACTOR <td>EV</td> <td>ELECTRONIC EXPANSION VALVE <td>LSV</td> <td>LIQUID SOLENOID VALVE <td></td> <td></td> </td></td>   | EV      | ELECTRONIC EXPANSION VALVE <td>LSV</td> <td>LIQUID SOLENOID VALVE <td></td> <td></td> </td>  | LSV        | LIQUID SOLENOID VALVE <td></td> <td></td>  |         |                                    |
| CFM    | CONDENSER FAN MOTOR <td>FJ1-6</td> <td>FUSE (250V, 10A) (TB1) <td>MTP</td> <td>COND. MOTOR THERMAL PROTECTOR <td></td> <td></td> </td></td>                                      | FJ1-6   | FUSE (250V, 10A) (TB1) <td>MTP</td> <td>COND. MOTOR THERMAL PROTECTOR <td></td> <td></td> </td>                                    | MTP        | COND. MOTOR THERMAL PROTECTOR <td></td> <td></td>                                |         |                                    |
| CM     | COMPRESSOR MOTOR <td>FJ1</td> <td>FUSE (250V, 5A) (EC6) <td>NF</td> <td>NOISE FILTER <td></td> <td></td> </td></td>  | FJ1     | FUSE (250V, 5A) (EC6) <td>NF</td> <td>NOISE FILTER <td></td> <td></td> </td>   | NF         | NOISE FILTER <td></td> <td></td>   |         |                                    |
| CT1, 2 | CURRENT TRANSFORMER <td>HPT</td> <td>HIGH PRESSURE SWITCH <td>P</td> <td>POWER PLUG <td></td> <td></td> </td></td>   | HPT     | HIGH PRESSURE SWITCH <td>P</td> <td>POWER PLUG <td></td> <td></td> </td>   | P          | POWER PLUG <td></td> <td></td>   |         |                                    |
| CTP    | COMPRESSOR THERMAL PROTECTOR <td>HPS</td> <td>HOT GAS SOLENOID VALVE <td>PCC1, 2</td> <td>PHASE CORRECTION CONTACTOR <td></td> <td></td> </td></td>                              | HPS     | HOT GAS SOLENOID VALVE <td>PCC1, 2</td> <td>PHASE CORRECTION CONTACTOR <td></td> <td></td> </td>                                   | PCC1, 2    | PHASE CORRECTION CONTACTOR <td></td> <td></td>                                   |         |                                    |
| CTR    | CARGO TEMP. RECEPTACLE <td>HSV</td> <td>HUMIDITY SENSOR <td>PHC</td> <td>PHOTO COUPLER <td></td> <td></td> </td></td>  | HSV     | HUMIDITY SENSOR <td>PHC</td> <td>PHOTO COUPLER <td></td> <td></td> </td>   | PHC        | PHOTO COUPLER <td></td> <td></td>  |         |                                    |
| DCHS   | COMPRESSOR DISCHARGE SENSOR <td>HuS</td> <td>INJECTION SOLENOID VALVE <td>PPR1, 2</td> <td>PC PORT RECEPTACLE <td></td> <td></td> </td></td>                                     | HuS     | INJECTION SOLENOID VALVE <td>PPR1, 2</td> <td>PC PORT RECEPTACLE <td></td> <td></td> </td>   | PPR1, 2    | PC PORT RECEPTACLE <td></td> <td></td>   |         |                                    |
| DSS    | DATA RECORDER RETURN AIR SENSOR <td>TSV</td> <td>LIQUID CRYSTAL DISPLAY <td>PT</td> <td>POTENTIAL TRANSFORMER <td>CTS</td> <td>OPTIONAL SPECIFICATION</td> </td></td>            | TSV     | LIQUID CRYSTAL DISPLAY <td>PT</td> <td>POTENTIAL TRANSFORMER <td>CTS</td> <td>OPTIONAL SPECIFICATION</td> </td>                    | PT         | POTENTIAL TRANSFORMER <td>CTS</td> <td>OPTIONAL SPECIFICATION</td>               | CTS     | OPTIONAL SPECIFICATION             |
| DSV    | DEFROST SOLENOID VALVE <td>LD-A</td> <td>SERVICE MONITOR-GREEN (EC1) <td>PP</td> <td>REVERSE PHASE PROTECTOR <td>RCO</td> <td>REMOTE COMMUNICATION DEVICE (YORK)</td> </td></td> | LD-A    | SERVICE MONITOR-GREEN (EC1) <td>PP</td> <td>REVERSE PHASE PROTECTOR <td>RCO</td> <td>REMOTE COMMUNICATION DEVICE (YORK)</td> </td> | PP         | REVERSE PHASE PROTECTOR <td>RCO</td> <td>REMOTE COMMUNICATION DEVICE (YORK)</td> | RCO     | REMOTE COMMUNICATION DEVICE (YORK) |
| EC1    | CPU BOARD (DECOS) <td>LD1</td> <td>LIGHT-EMITTING DIODE (R, H) <td>RS</td> <td>RETURN AIR SENSOR <td>USDA1-3</td> <td>USDA SENSOR</td> </td></td>                                | LD1     | LIGHT-EMITTING DIODE (R, H) <td>RS</td> <td>RETURN AIR SENSOR <td>USDA1-3</td> <td>USDA SENSOR</td> </td>                          | RS         | RETURN AIR SENSOR <td>USDA1-3</td> <td>USDA SENSOR</td>                          | USDA1-3 | USDA SENSOR                        |
| EC2    | I/O BOARD (DECOS) <td>LD2</td> <td>LIGHT-EMITTING DIODE (ALARM) <td>RSV</td> <td>REHEAT COIL SOLENOID VALVE <td></td> <td></td> </td></td>                                       | LD2     | LIGHT-EMITTING DIODE (ALARM) <td>RSV</td> <td>REHEAT COIL SOLENOID VALVE <td></td> <td></td> </td>                                 | RSV        | REHEAT COIL SOLENOID VALVE <td></td> <td></td>                                   |         |                                    |
| EC3    | DISPLAY BOARD (DECOS) <td>LD3</td> <td>LIGHT-EMITTING DIODE (RETURN) <td>RY1-19</td> <td>RELAY <td></td> <td></td> </td></td>  | LD3     | LIGHT-EMITTING DIODE (RETURN) <td>RY1-19</td> <td>RELAY <td></td> <td></td> </td>  | RY1-19     | RELAY <td></td> <td></td>  |         |                                    |
| EC4    | SHEET KEY (DECOS) <td>LD4</td> <td>LIGHT-EMITTING DIODE (SUPPLY) <td>SCC1-1, -2</td> <td>SHORT CIRCUIT CONNECTOR <td></td> <td></td> </td></td>                                  | LD4     | LIGHT-EMITTING DIODE (SUPPLY) <td>SCC1-1, -2</td> <td>SHORT CIRCUIT CONNECTOR <td></td> <td></td> </td>                            | SCC1-1, -2 | SHORT CIRCUIT CONNECTOR <td></td> <td></td>                                      |         |                                    |
| EC5    | PRINTED CIRCUIT BOARD (PT, CT) <td>LD5</td> <td>LIGHT-EMITTING DIODE (COMP) <td>SCC2</td> <td>SHORT CIRCUIT CONNECTOR <td></td> <td></td> </td></td>                             | LD5     | LIGHT-EMITTING DIODE (COMP) <td>SCC2</td> <td>SHORT CIRCUIT CONNECTOR <td></td> <td></td> </td>                                    | SCC2       | SHORT CIRCUIT CONNECTOR <td></td> <td></td>                                      |         |                                    |
| EC6    | ADAPTER BOARD <td>LD6</td> <td>LIGHT-EMITTING DIODE (DEFROST) <td>SCC3</td> <td>SHORT CIRCUIT CONNECTOR <td></td> <td></td> </td></td>   | LD6     | LIGHT-EMITTING DIODE (DEFROST) <td>SCC3</td> <td>SHORT CIRCUIT CONNECTOR <td></td> <td></td> </td>                                 | SCC3       | SHORT CIRCUIT CONNECTOR <td></td> <td></td>                                      |         |                                    |
|        |  |         |  | SGS        | SUCTION GAS SENSOR <td></td> <td></td>   |         |                                    |

2 D 0 6 0 1 8 5 - 1 A

LXE10E-A45

## 4.3 実体配線図



<https://daikin-p.ru>

## ORDERING INSTRUCTIONS

The parts list contains the parts of the DAIKIN Marine Type Container Refrigeration Units. Carefully read the following cautions before using the list.

1. When ordering the parts, be sure to describe Model No., Name of part and type.  
When ordering the parts No. are not shown in the PARTS NO. column, be sure to describe DWG.NO..
2. The parts shown in the list are replacement or repairing on the spot only. Certain parts require a long time of delivery or are assembled in a set, so it is advisable to contact with the nearest DAIKIN PARTS CENTRE.

## パーツリスト使用上の注意

このパーツリストはダイキン海上コンテナ冷凍装置の部品を集録してあります。パーツリスト使用にあたっては、必ず次の注意事項をご一読の上使用していただくようお願いいたします。

1. 部品のご注文の際は機種名、部品番号、および部品名、形式を必ずご指定ください。  
なお、部品番号欄が空白になっている部品は、図面番号で指示願います。
2. 掲載部品の範囲は、あくまでも現地にて分解修理できるところまで記載しております。  
一部部品につき納期のかかるものおよびセット単位となるものもありますので、お近くのダイキンパーツセンター又はサービスステーションに相談願います。

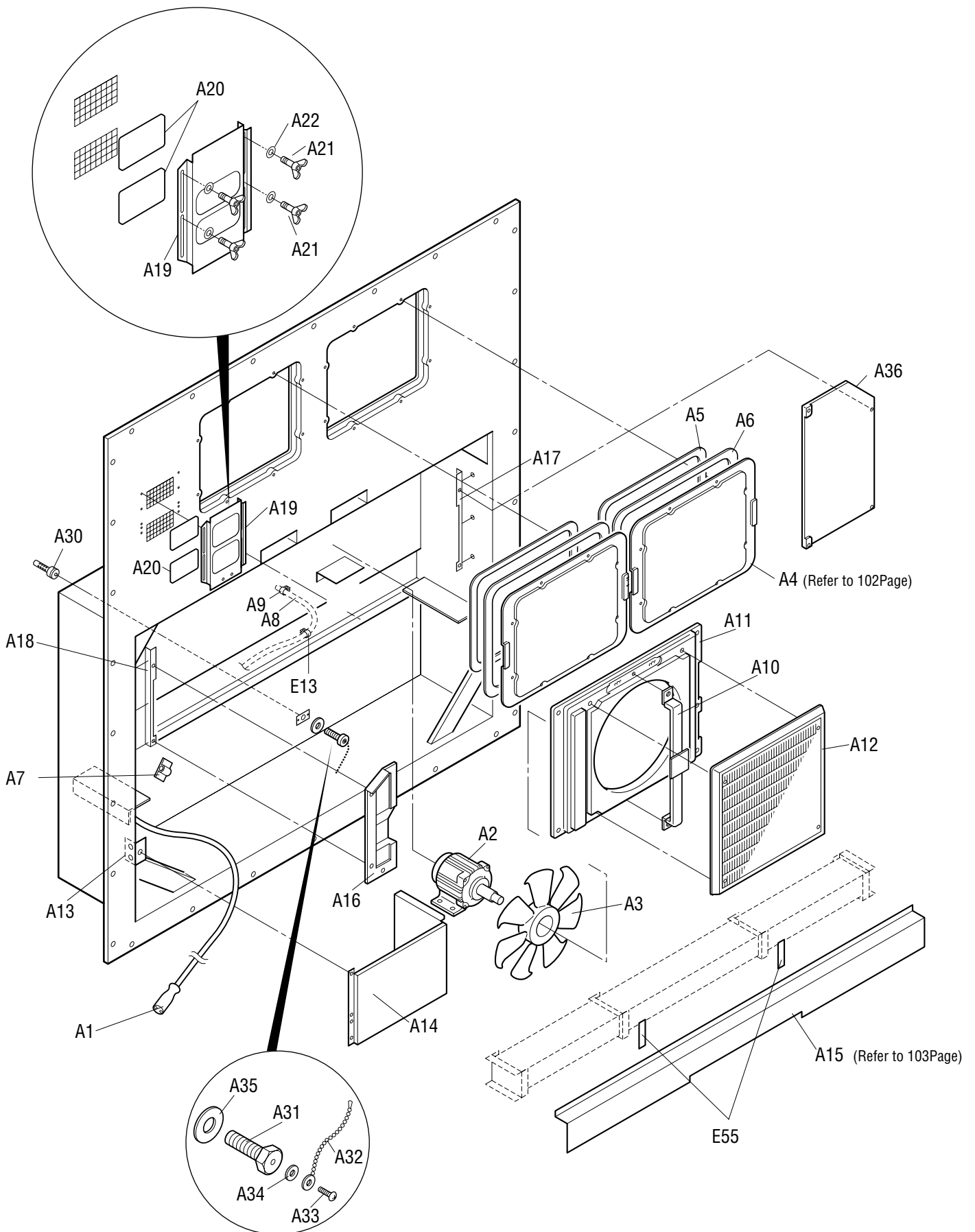
本書は標準機と異なる箇所のみ記載しておりますので、本書に記載なき事項は別途発行パーツリスト（TR01-07A）を併せて参照下さい。

The parts which are different from that of the standard model only are described in this manual. Regarding the items which are not described in this manual, refer to Parts List (TR01-07A) as well.

<https://daikin-p.ru>

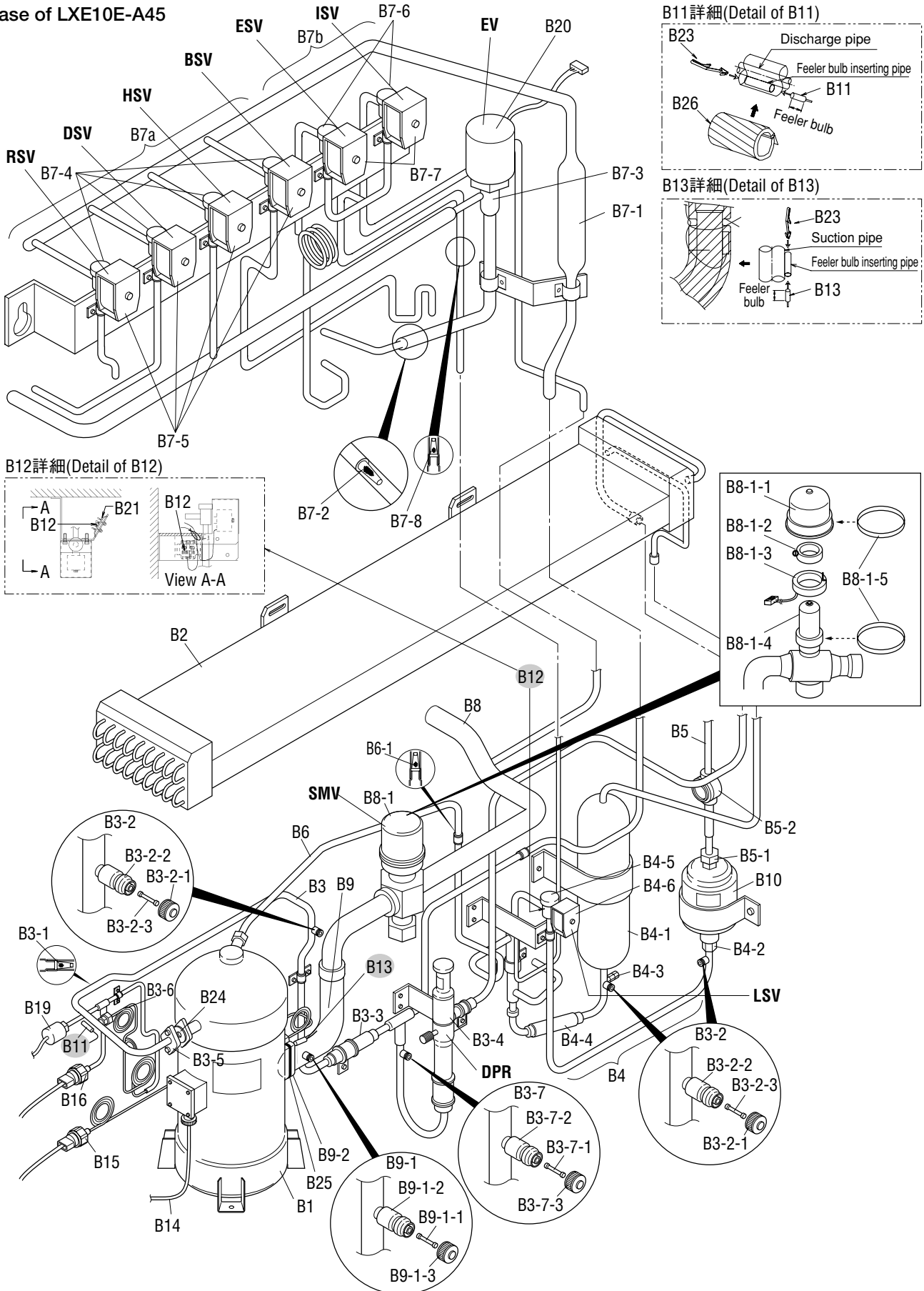


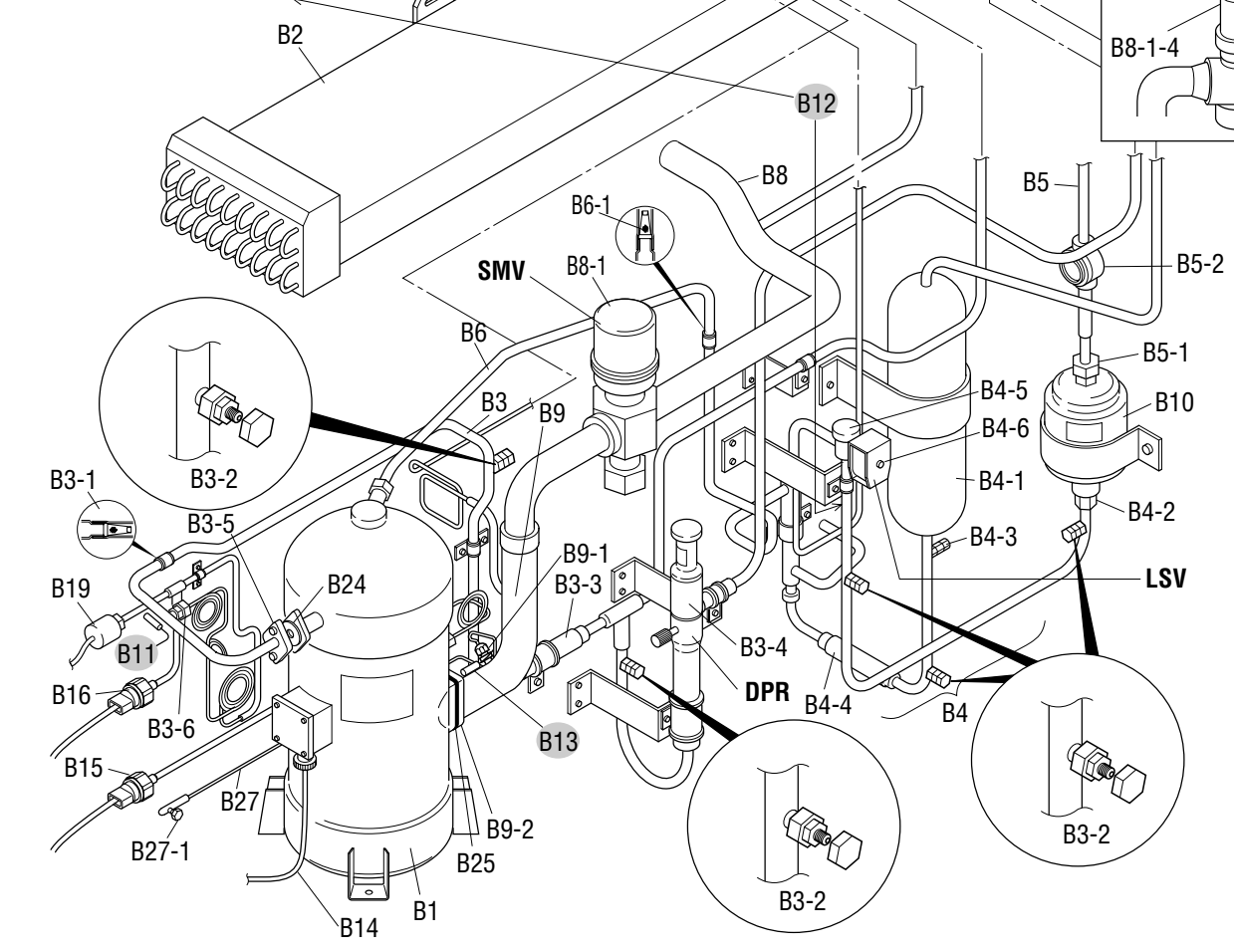
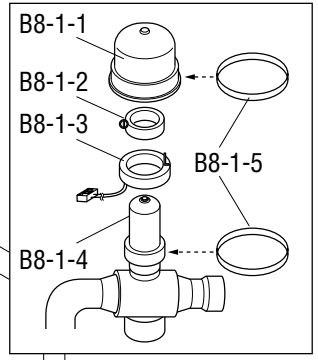
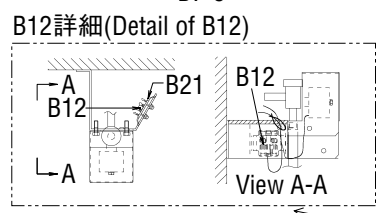
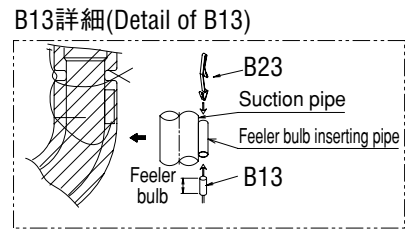
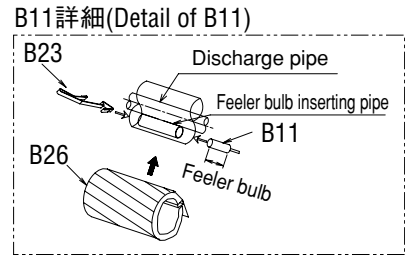
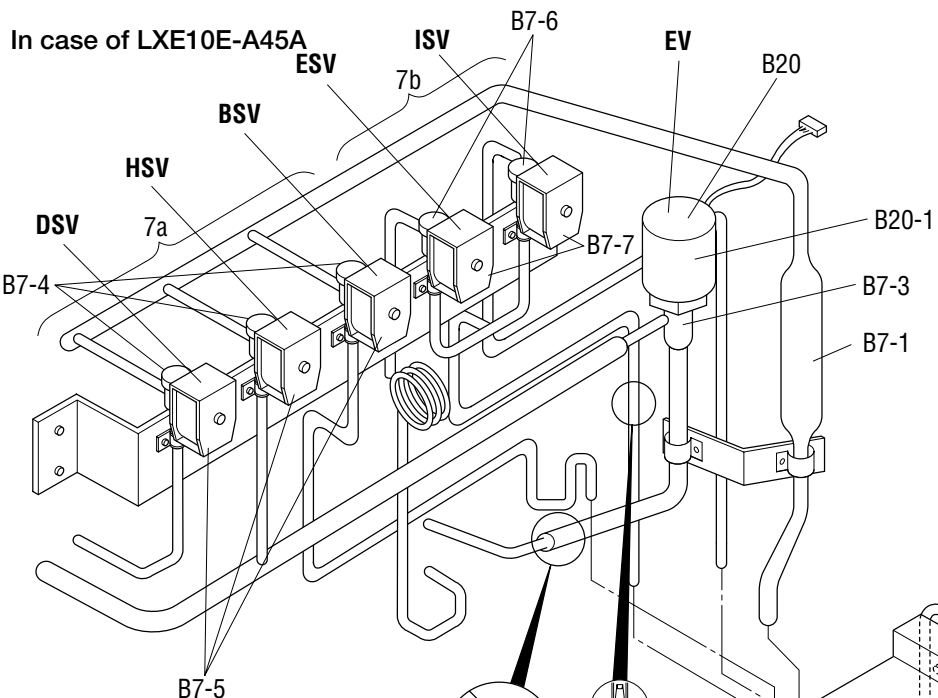
|   |            |
|---|------------|
| <b>A. Parts related with the unit(outside)</b> .....                          | <b>68</b>  |
| 庫外関連部品  |            |
| <b>B. Parts related with refrigerant piping(outside)</b> .....                | <b>70</b>  |
| 庫外冷媒配管関連部品  |            |
| <b>C. Parts related with the unit(inside)</b> .....                           | <b>74</b>  |
| 庫内関連部品  |            |
| <b>D. Parts related with refrigerant piping(inside)</b> .....                 | <b>78</b>  |
| 庫内冷媒配管関連部品  |            |
| <b>E. Other parts(Pipe clamp, sealing and insulation material etc.)</b> ..... | <b>80</b>  |
| その他部品 (配管固定具、シール材、防熱材等)   |            |
| <b>F. Control box</b> .....   | <b>88</b>  |
| コントローラボックス  |            |
| <b>G. Parts related with name plate</b> .....                                 | <b>92</b>  |
| 銘板関連  |            |
| <b>I. Parts related with option 1 – USDA</b> .....                            | <b>94</b>  |
| オプション関連部品 1 - USDA関連  |            |
| <b>J. Parts related with option 2 – MODEM</b> .....                           | <b>96</b>  |
| オプション関連部品 2 - モデム   |            |
| <b>K. Parts related with option 3 – Others</b> .....                          | <b>98</b>  |
| オプション関連部品 3 - その他   |            |
| <b>L. List of size for standard pipe clamp</b> .....                          | <b>100</b> |
| 配管固定具サイズ表   |            |
| <b>M. Notes for ordering spare parts</b> .....                                | <b>102</b> |
| 部品発注の際の注意事項   |            |
| <b>N. Measuring and adjusting tools</b> .....                                 | <b>107</b> |
| 測定調整用工具   |            |



| NO.<br>符号 | INDEX | PARTS NO.<br>部品番号 | PARTS NAME                          | 部品名称                   | DWG. NO.<br>図面番号 | TYPE SPECIFICATION<br>形式 仕様 | QTY/UNIT |      | REMARKS<br>備考    |
|-----------|-------|-------------------|-------------------------------------|------------------------|------------------|-----------------------------|----------|------|------------------|
|           |       |                   |                                     |                        |                  |                             | LXE10E-  |      |                  |
|           |       |                   |                                     |                        |                  |                             | A45      | A45A |                  |
| A1        |       | 1549647           | Power plug(400V class)              | 電源プラグ (400V)           | 3P130172-1       |                             | 1        | 1    |                  |
| A2        | A     | 0954936           | Condenser fan motor                 | 凝縮器電動機                 | 3P005566-1       |                             | 1        | 1    |                  |
| A3        | B     | 0980618           | Fan Brade(outside)                  | プロペラファン (庫外側)          | 2P004956-1       | P44H11S                     | 1        | 1    |                  |
| A4        | C     | 1612576           | Access panel(FRP)                   | サービス扉組立品               | 1P006678-5       |                             | 2        | 2    | Refer to Page102 |
| A5        |       | 1266207           | Sealing material (access panel)     | シール材 (サービス扉)           | 3P033608-1       |                             | 2        | 2    | Refer to Page102 |
| A6        |       | 1196113           | Sealing material(access panel)      | シール材 (サービス扉)           | 3P001640-2       |                             | 2        | 2    | Refer to Page102 |
| A7        |       | 1779734           | Wire clamp                          | 電線止め金                  | 4P090422-2       |                             | 1        | 1    |                  |
| A8        | C     | 1266199           | Drain hose                          | ドレンホース                 | 3P011299-1       | For trap type               | 1        | 1    |                  |
| A9        |       | 537320            | Hose band                           | ホースバンド                 | R4716528-3       |                             | 1        | 1    |                  |
| A10       |       | 1813689           | Fan guide stay(center)              | ファンガイドステー (中央)         | 3P007593-1       |                             | 1        | 1    |                  |
| A11       |       | 1588356           | Fan guide(outside)                  | ファンガイド (庫外側)           | 1P050906-6       |                             | 1        | 1    |                  |
| A12       | C     | 1588349           | Discharge grill                     | 吹出グリル                  | 1PA53427-6       |                             | 1        | 1    |                  |
| A13       |       | 1369663           | Mounting plate 2, cable storage     | ケーブル収納部取付板 2           | 4P006981-2       |                             | 1        | 1    |                  |
| A14       |       | 1564660           | Cabel holding sheet metal           | ケーブル収納部板金(圧縮機前板：有/無共用) | 3P128458-1       |                             | 1        | 1    |                  |
| A15       |       | 1739286           | Front plate(CA)                     | 前板 (C A)               | 2P173133-1       |                             | 1        | 1    | Refer to Page103 |
| A16       |       | 1600504           | C,BOX Front plate                   | コントロールボックス前板(左)        | 2P093861-5       |                             | 1        | 1    |                  |
| A17       |       | 1661338           | Fixing plate                        | 外板取付板 (1)              | 3P170539-1       |                             | 1        | 1    |                  |
| A18       |       | 1661321           | Fixing plate                        | 外板取付板 (2)              | 3P170535-1       |                             | 1        | 1    |                  |
| A19       | B     | 0981060           | Ventilation cover                   | 換気口蓋                   | 3P003175-1       |                             | 1        | 1    | Refer to Page103 |
| A20       |       | 1266221           | Packing(Ventilator)                 | シール材 (換気口パッキン) (高気密仕様) | 4P016185-1       |                             | 2        | 2    | Refer to Page103 |
| A21       |       | 1775446           | Wing bolt                           | 蝶ボルト                   | 4P048681-2       | M6X20(S)                    | 4        | 5    |                  |
| A22       |       | 0275145           | Plain washer(Woods round type)      | 平座金 (木材用丸)             | 4SK07006-6       | M6                          | 21       | 21   |                  |
| A30       |       | 1386923           | Protection cover                    | 温度計挿入口保護カバー            | 4P085921-1       | WHITE                       | 1        | 1    |                  |
| A31       |       | 1266238           | Hexagon head bolt                   | P C六角ボルト               | R4290921-125     | M12X25                      | 1        | 2    |                  |
| A32       |       | 1386930           | Latch(victor chain)                 | 掛金 (ビクターチェーン)          | 4P063801-1       |                             | 1        | 2    |                  |
| A33       |       | 1775453           | Tapping screw                       | タッピングネジ                | 4SK05064-10      | M3 SUS304                   | 1        | 2    |                  |
| A34       |       | 844012S           | Plain washer                        | 平座金                    | 4SK07005-3       | M3SUS                       | 22       | 23   |                  |
| A35       |       | 1267084           | Gasket, resin bolt                  | パッキン樹脂ボルト用             | 4PA63573-1       |                             | 1        |      |                  |
| A36       |       | 1787456           | Front panel(right) RESIN            | 前板 (右) <樹脂>            | 2P175878-1       | COLOR:CERAMIC WHITE         | 1        | 1    |                  |
| E13       |       | 1266788           | Resin clamp                         | 樹脂バンド                  | NE41015-12       | MILK WHITE                  | 6        | 6    |                  |
| E55       |       | 1267077           | Packing for prevention of vibration | C A前板ビビリ防止パッキン         | 4P050050-1       |                             | 2        | 2    |                  |
|           |       |                   |                                     |                        |                  |                             |          |      |                  |
|           |       |                   |                                     |                        |                  |                             |          |      |                  |
|           |       |                   |                                     |                        |                  |                             |          |      |                  |
|           |       |                   |                                     |                        |                  |                             |          |      |                  |
|           |       |                   |                                     |                        |                  |                             |          |      |                  |
|           |       |                   |                                     |                        |                  |                             |          |      |                  |
|           |       |                   |                                     |                        |                  |                             |          |      |                  |
|           |       |                   |                                     |                        |                  |                             |          |      |                  |
|           |       |                   |                                     |                        |                  |                             |          |      |                  |
|           |       |                   |                                     |                        |                  |                             |          |      |                  |
|           |       |                   |                                     |                        |                  |                             |          |      |                  |
|           |       |                   |                                     |                        |                  |                             |          |      |                  |
|           |       |                   |                                     |                        |                  |                             |          |      |                  |
|           |       |                   |                                     |                        |                  |                             |          |      |                  |

In case of LXE10E-A45





Parts related with refrigerant piping(outside)  
庫外冷媒配管関連部品

| NO.<br>符号 | INDEX | PARTS NO.<br>部品番号 | PARTS NAME                            | 部品名称                | DWG. NO.<br>図面番号 | TYPE SPECIFICATION<br>形式 仕様 | QTY/UNIT |      | REMARKS<br>備考    |
|-----------|-------|-------------------|---------------------------------------|---------------------|------------------|-----------------------------|----------|------|------------------|
|           |       |                   |                                       |                     |                  |                             | LXE10E-  |      |                  |
|           |       |                   |                                       |                     |                  |                             | A45      | A45A |                  |
| B1        | A     | 1199415           | Compressor                            | 圧縮機                 | JT224D-NYR       |                             | 1        | 1    |                  |
| B2        | C     | 1813696           | Air cooled condenser                  | 空冷凝縮器               | 2P195935-1       | CA-LXE10E3                  | 1        | 1    |                  |
| B3        |       | 1757703           | Discharge pipe ass'y                  | 吐出配管組立品             | 2P117329-1       |                             | 1        |      |                  |
| B3        |       |                   | Discharge pipe ass'y                  | 吐出配管組立品             | 2P139434-1       |                             |          | 1    |                  |
| B3-1      | C     | 1199167           | Strainer                              | ストレーナ               | 4P051389-1       |                             | 1        | 1    |                  |
| B3-2      | C     | 1178920           | Service valve ass'y                   | サービスバルブ組立品          | 3P048905-1       |                             | 3        |      |                  |
| B3-2      |       | 1556234           | Service valve ass'y                   | サービスバルブ組立品          | 3P142877-1       |                             |          | 5    |                  |
| B3-2-1    | B     | 117592J           | Service valve cap                     | キャップ                | 3P048905-1-KU    |                             | 3        |      |                  |
| B3-2-2    | B     |                   | Service valve body                    | 本体                  | 3P048905-1-KA    |                             | 3        |      |                  |
| B3-2-3    | B     | 1178850           | Valve core                            | バルブコア               | 3P048905-1-KI    |                             | 3        |      |                  |
| B3-3      | B     | 0684220           | Check valve                           | 逆止弁                 | 3SA27008-1       |                             | 1        | 1    |                  |
| B3-4      | A     | 1241361           | Discharge pressure regulating valve   | 吐出圧力調整弁             | 3P074558-1       |                             | 1        | 1    | Refer to Page104 |
| B3-5      |       | 1266276           | Flange(convex)                        | 吐出管フランジ (凸)         | 4P065933-1       |                             | 1        | 1    |                  |
| B3-6      | B     | 292011            | Gauge joint(with check valve)         | 逆止弁付ゲージ継手           | 2PF00177-1       | VCG2DA                      | 1        | 1    |                  |
| B3-7      | C     | 1178937           | Service valve ass'y                   | サービスバルブ組立品          | 3P048907-1       |                             | 1        |      |                  |
| B3-7-1    | B     | 1178867           | Valve core                            | バルブコア               | 3P048907-1-KI    |                             | 1        |      |                  |
| B3-7-2    | B     | 1637498           | Service valve body                    | 本体                  | 3P048907-1-KA    |                             | 1        |      |                  |
| B3-7-3    | B     | 117591J           | Service valve cap                     | キャップ                | 3P048907-1-KU    |                             | 1        |      |                  |
| B4        |       | 1863437           | Liquid reciever ass'y                 | 受液器組立品              | 2P206835-2       |                             | 1        |      |                  |
| B4        |       |                   | Liquid reciever ass'y                 | 受液器組立品              | 2P206842-1       |                             |          | 1    |                  |
| B4-1      |       | 1266283           | Liquid receiver                       | 冷媒調整器               | 4P081428-1       | φ 90×t1.8                   | 1        | 1    |                  |
| B4-2      |       | 013785J           | Flare nut                             | フレアナット              | 4SK23011-4       | FNS4 φ 12.7                 | 1        | 1    |                  |
| B4-3      | A     | 1498035           | Fusible plug                          | 可熔栓                 | 3SA27103-1       |                             | 1        | 1    |                  |
| B4-4      |       | 0299134           | Filter                                | フィルタ                | 3SA26004-2       |                             | 1        | 1    |                  |
| B4-5      | B     | 1787247           | Solenoid valve body                   | 電磁弁本体               | 3P198486-1       | VPV-803DQ52                 | 1        | 1    | Refer to Page104 |
| B4-6      | A     | 0955287           | Solenoid valve coil                   | 電磁弁コイル              | 3P010453-1       |                             | 1        | 1    | Refer to Page104 |
| B5        |       |                   | Liquid pipe ass'y                     | 液配管組立品              | 3P162887-1       |                             | 1        | 1    |                  |
| B5-1      |       | 013785J           | Flare nut                             | フレアナット              | 4SK23011-4       | FNS4 φ 12.7                 | 1        | 1    |                  |
| B5-2      | A     | 0622107           | Liquid moisture indicator             | サイトグラス              | 3PA51270-3       | SGN12S                      | 1        | 1    |                  |
| B6        |       |                   | Injection tube ass'y                  | インジェクション管組立品        | 3P162892-1       |                             | 1        | 1    |                  |
| B6-1      | C     | 0085296           | Strainer                              | ストレーナ (100メッシュ)     | R4697892         |                             | 1        | 1    |                  |
| B7a       |       |                   | Refrigerant pipe ass'y                | 冷媒配管組立品 (リース)       | 2P194270-1       |                             | 1        |      |                  |
| B7a       |       |                   | Expansion valve pipe ass'y            | 冷媒配管組立品 (標準)        | 2P167598-5       |                             |          | 1    |                  |
| B7-1      | C     | 1505748           | Filter                                | フィルタ                | 3P011071-1       |                             | 1        | 1    |                  |
| B7-2      | C     | 1490846           | Strainer                              | ストレーナ               | 4P051958-1       |                             | 1        | 1    |                  |
| B7-3      | A     | 125649J           | Electronic expansion valve body ass'y | 電子膨張弁本体組立品          | 2SA50010-2-KU    |                             | 1        | 1    | Refer to Page104 |
| B7-4      | B     | 1787247           | Solenoid valve body                   | 電磁弁本体               | 3P198486-1       | VPV-803DQ52                 | 4        | 3    | Refer to Page104 |
| B7-5      | A     | 1266290           | Solenoid valve coil                   | 電磁弁コイル              | 3P010453-2       |                             | 4        | 3    | Refer to Page104 |
| B7b       |       |                   | ISV,ESV pipe ass'y                    | I S V ・ E S V 配管組立品 | 3P178353-2       |                             | 1        | 1    |                  |
| B7-6      | A     | 0088738           | Nev type solenoid valve body          | N E V 型電磁弁本体        | R3305099-1-KI    | NEV-202DXF                  | 2        | 2    | Refer to Page104 |

● When ordering the parts whose No. are not shown in the PARTS NO. column, be sure to describe DWG. NO..

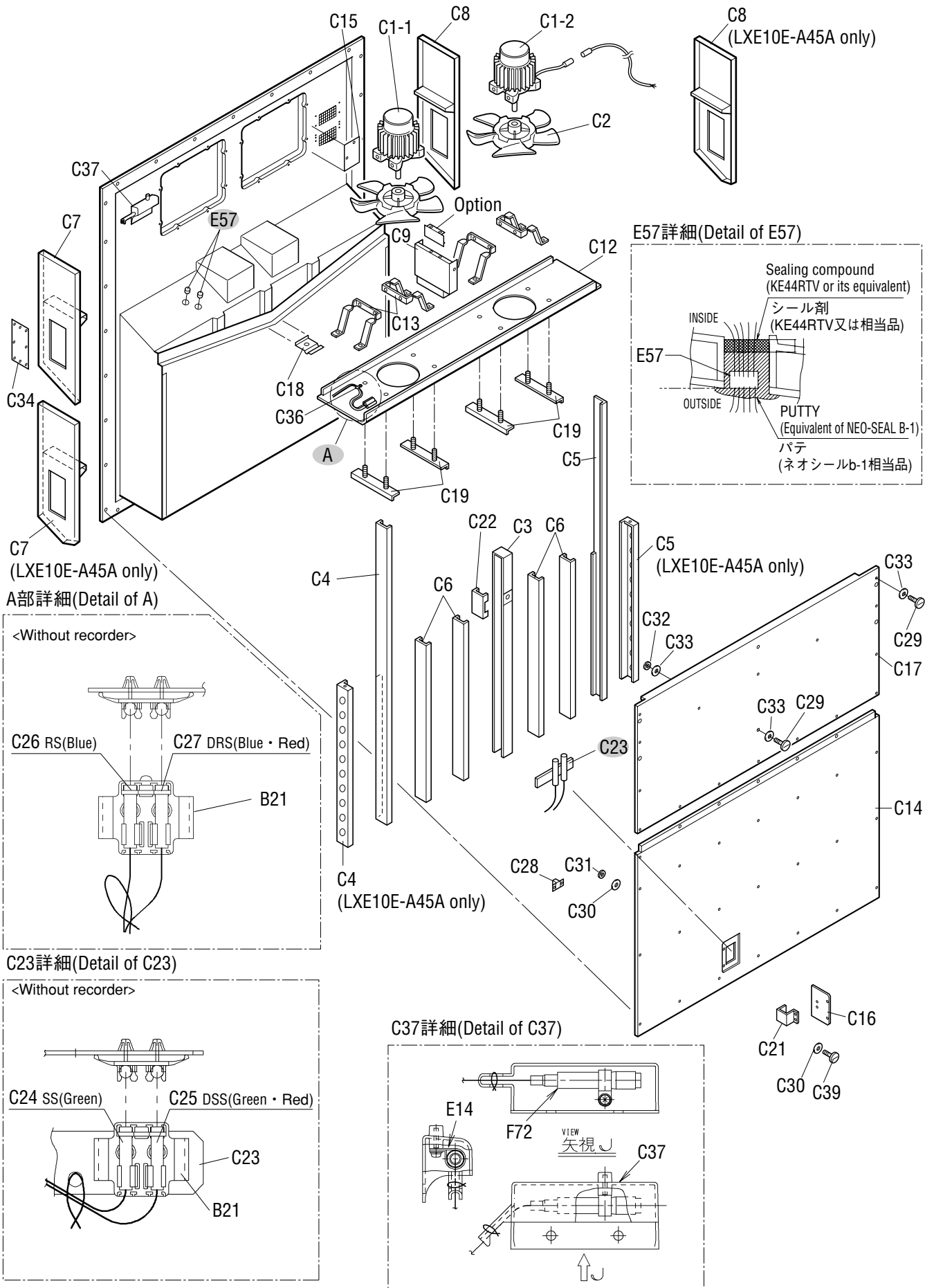
● 部品番号欄が空白になっている部品は、図面番号で、指示願います。



| NO.<br>符号 | INDEX | PARTS NO.<br>部品番号 | PARTS NAME                                 | 部品名称                  | DWG. NO.<br>図面番号 | TYPE SPECIFICATION<br>形式 仕様 | QTY/UNIT |      | REMARKS<br>備考    |
|-----------|-------|-------------------|--|-----------------------|------------------|-----------------------------|----------|------|------------------|
|           |       |                   |  |                       |                  |                             | LXE10E-  |      |                  |
|           |       |                   |  |                       |                  |                             | A45      | A45A |                  |
| B7-7      | A     | 1266290           | Solenoid valve coil                        | 電磁弁コイル                | 3P010453-2       |                             | 2        | 2    | Refer to Page104 |
| B7-8      | C     | 0964166           | Strainer                                   | ストレーナ                 | 4P012568-1       |                             | 1        | 1    |                  |
| B8        |       | 1496781           | Suction pipe ass'y(inside)                 | 吸入配管組立品 (庫内)          | 3P071569-2       |                             | 1        | 1    |                  |
| B8-1      | A     | 1254538           | Suction modulating valve ass'y             | 吸入比例弁組立品              | 2P078385-1       |                             | 1        | 1    | Refer to Page104 |
| B8-1-1    |       | 1270376           | Upper cover, suction modulating valve      | 吸入比例弁カバー上             | 2P078385-1-KA    |                             | 1        | 1    |                  |
| B8-1-2    |       | 1496914           | Clamp, suction modulating valve            | 吸入比例弁クランプ             | 2P078385-1-KI    |                             | 1        | 1    |                  |
| B8-1-3    |       | 1270390           | Coil, suction modulating valve             | 吸入比例弁コイル              | 2P078385-1-KU    |                             | 1        | 1    |                  |
| B8-1-4    |       | 1270408           | Body, suction modulating valve             | 吸入比例弁弁本体              | 2P078385-1-KE    |                             | 1        | 1    |                  |
| B8-1-5    |       | 1270415           | Cover band, suction modulating valve       | 吸入比例弁カバーバンド           | 2P078385-1-KO    |                             | 2        | 2    |                  |
| B9        |       |                   | Suction pipe ass'y(outside)                | 吸入配管組立品 (庫外)          | 3P162880-1       |                             | 1        |      |                  |
| B9        |       |                   | Suction piping ass'y(1)                    | 吸入配管組立品 (1)           | 2P139435-1       |                             |          | 1    |                  |
| B9-1      | C     | 1178937           | Service valve ass'y                        | サービスバルブ組立品            | 3P048907-1       |                             | 1        |      |                  |
| B9-1      |       | 1556234           | Service valve ass'y                        | サービスバルブ組立品            | 3P142877-1       |                             |          | 1    |                  |
| B9-1-1    | B     | 1637498           | Service valve body                         | 本体                    | 3P048907-1-KA    |                             | 1        |      |                  |
| B9-1-2    | B     | 1178867           | Valve core                                 | バルブコア                 | 3P048907-1-KI    |                             | 1        |      |                  |
| B9-1-3    | B     | 117591J           | Service valve cap                          | キャップ                  | 3P048907-1-KU    |                             | 1        |      |                  |
| B9-2      |       | 1266315           | Square flange                              | 角フランジ                 | 4PA61542-1       |                             | 1        | 1    |                  |
| B10       | A     | 1241385           | Drier ass'y                                | ドライヤ組立品               | 3P069859-1       |                             | 1        | 1    |                  |
| B11       | A     | 098332J           | Sensor, discharge pipe temperature(DCHS)   | 吐出管用センサ (D C H S)     | 3SA48009-10      |                             | 1        | 1    | Refer to Page106 |
| B12       | A     | 0798321           | Sensor, ambient air temperature(AMBS)      | 外気温度センサ (A M B S)     | 3PA61769-6       | ST9503-6(NIL)               | 1        | 1    | Refer to Page106 |
| B13       | A     | 098333J           | Sensor, comp suction pipe temperature(SGS) | 圧縮機吸込配管温度用センサ (S G S) | 3PA61769-9       | ST9503-9(white)             | 1        | 1    | Refer to Page106 |
| B14       |       | 1266322           | Cable(compressor)                          | ケーブル (圧縮機)            | 3P063458-1       |                             | 1        | 1    |                  |
| B15       | A     | 1587942           | Low pressure transducer(LPT)               | 低圧圧力センサ (L P T)       | 3P141601-1       | NSK-BD010F-070              | 1        | 1    | Refer to Page105 |
| B16       | A     | 1587959           | High pressure transducer(HPT)              | 高圧圧力センサ (H P T)       | 3P141602-1       | NSK-BD030F-070              | 1        | 1    | Refer to Page105 |
| B19       | A     | 1241378           | High pressure switch                       | 高圧圧力開閉器               | 3P071506-1       |                             | 1        | 1    |                  |
| B20       | A     | 138143J           | Electronic expansion valve coil            | 電子膨張弁コイル              | 2P010454-2       | L=1500mm                    | 1        | 1    | Refer to Page104 |
| B21       |       | 1605244           | Therminal fixing plate, Resin              | サーミスタ固定具 (樹脂)         | 3P124175-1       |                             | 3        | 3    |                  |
| B23       |       | 0423968           | Mounting spring,thermistor                 | サーミスタ取付バネ             | 4PA38890-1       |                             | 3        | 3    |                  |
| B24       | A     | 0132192           | Flange packing, compressor discharge       | 圧縮機吐出側フランジパッキン        | 4SK20053-4       |                             | 1        | 1    |                  |
| B25       | A     | 0395032           | Flange packing, compressor suction         | 圧縮機吸入側フランジパッキン        | R4221042-1       |                             | 1        | 1    |                  |
| B26       |       | 1267147           | Thermal insulation tube                    | 断熱筒 (吸入弁庫外側)          | 4P073602-1       |                             | 1        | 1    |                  |
| B27       |       | 1893894           | Gauge pipe ass'y                           | ゲージ配管 A S S Y         | 2P224891-1       |                             |          | 1    |                  |
| B27-1     |       | 1556234           | Service port                               | サービスポート               | 3P142877-1       |                             |          | 1    |                  |
|           |       |                   |  |                       |                  |                             |          |      |                  |
|           |       |                   |  |                       |                  |                             |          |      |                  |
|           |       |                   |  |                       |                  |                             |          |      |                  |
|           |       |                   |  |                       |                  |                             |          |      |                  |
|           |       |                   |  |                       |                  |                             |          |      |                  |
|           |       |                   |  |                       |                  |                             |          |      |                  |
|           |       |                   |  |                       |                  |                             |          |      |                  |
|           |       |                   |  |                       |                  |                             |          |      |                  |
|           |       |                   |  |                       |                  |                             |          |      |                  |

• When ordering the parts whose No. are not shown in the PARTS NO. column, be sure to describe DWG. NO..

• 部品番号欄が空白になっている部品は、図面番号で、指示願います。

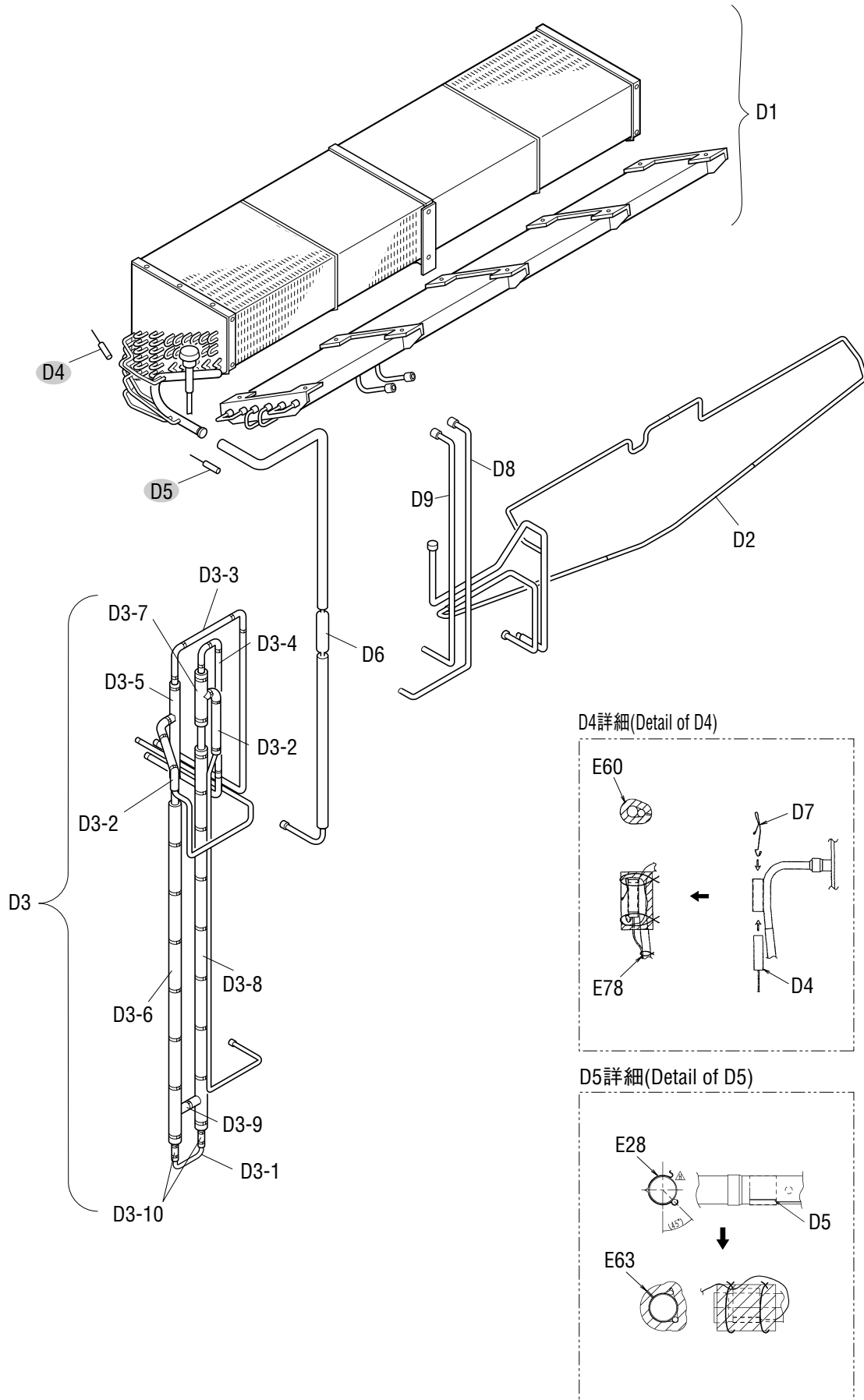




| NO.<br>符号 | INDEX | PARTS NO.<br>部品番号 | PARTS NAME                     | 部品名称                     | DWG. NO.<br>図面番号 | TYPE SPECIFICATION<br>形式仕様 | QTY/UNIT |      | REMARKS<br>備考    |
|-----------|-------|-------------------|--------------------------------|--------------------------|------------------|----------------------------|----------|------|------------------|
|           |       |                   |                                |                          |                  |                            | LXE10E-  |      |                  |
|           |       |                   |                                |                          |                  |                            | A45      | A45A |                  |
| C1-1      | A     | 0955340           | Three phase AC fan motor       | 三相交流ファン電動機               | 3PA07524-5       | SPRK91A-42                 | 1        | 1    |                  |
| C1-2      | A     | 0955333           | Three phase AC fan motor       | 三相交流ファン電動機               | 3PA07524-4       | SPRK91A-42                 | 1        | 1    |                  |
| C2        | B     | 0777519           | Fan brade(inside)              | プロペラファン (庫内側)            | P32P11F          |                            | 2        | 2    |                  |
| C3        |       | 1656019           | Center stay                    | 中央ステー (裏板アルミ仕様)          | 3P167260-1       |                            | 1        | 1    |                  |
| C4        |       | 1679315           | Side stay                      | サイドステー (1) 裏板SUS仕様       | 3P168538-1       | t2.5                       | 1        |      |                  |
| C4        |       | 1893933           | Side stay(1)                   | サイドステー組立品 (1)            | 3P223628-1       |                            |          | 1    |                  |
| C5        |       | 1679409           | Side stay(2)                   | サイドステー (2) 裏板SUS仕様       | 3P172409-1       | t2.5                       | 1        |      |                  |
| C5        |       | 1893940           | Side stay(2)                   | サイドステー組立品 (2)            | 3P223628-2       |                            |          | 1    |                  |
| C6        |       | 1656026           | Rear stay                      | 背面ステー (裏板アルミ仕様)          | 3P167261-1       |                            | 4        | 4    |                  |
| C7        |       | 1666838           | Casing frame, evaporator       | 蒸発器枠 (1) 裏板SUS仕様         | 2P170293-1       |                            | 1        |      |                  |
| C7        |       | 1927780           | Casing frame, evaporator(1)    | 蒸発器枠 (1) O O C L         | 2P224358-1       |                            |          | 1    |                  |
| C8        |       | 1666845           | Casing frame, evaporator       | 蒸発器枠 (2) 裏板SUS仕様         | 2P170293-2       |                            | 1        |      |                  |
| C8        |       | 1927797           | Casing frame, evaporator(2)    | 蒸発器枠 (2) O O C L         | 2P224358-2       |                            |          | 1    |                  |
| C9        |       | 1667165           | Fan guide fixing plate         | ファンガイド固定板(裏板SUS仕様)       | 3P168540-1       |                            | 1        | 1    |                  |
| C12       |       | 1667088           | Fan guide ass'y                | ファンガイド組立品(レヒート・樹脂製サームスタ) | 3P166890-3       |                            | 1        | 1    |                  |
| C13       |       | 1667172           | Set plate, fan motor           | 電動機取付脚                   | 3P171676-1       |                            | 4        |      |                  |
| C13       |       | 1863451           | Set plate, fan motor           | ファン電動機台(脚) ASSY (2)      | 3P211498-2       |                            |          | 4    |                  |
| C14       |       | 1380792           | Rear plate(Lower)              | 裏板 (下)                   | 2P094959-1       |                            | 1        | 1    |                  |
| C15       |       | 1496990           | Shield plate                   | 遮蔽板                      | 4P123922-1       |                            | 1        | 1    |                  |
| C16       |       | 1380817           | Inspection door(supply sensor) | 点検蓋 (サブライセンサ)            | 4P094961-1       | t2.0                       | 1        | 1    |                  |
| C17       |       | 1380824           | Rear plate(upper)              | 裏板 (上)                   | 2P095497-1       | t2.0                       | 1        |      |                  |
| C17       |       | 1893825           | Rear plate(upper)              | 裏板 (上)                   | 2P095497-2       |                            |          | 1    |                  |
| C18       |       | 1266485           | Partition plate(drain outlet)  | 仕切板 (ドレン出口)              | 4P011317-1       |                            | 1        | 1    |                  |
| C19       |       | 1135978           | Reinforce plate, fan motor     | 補強板 (ファン電動機台)            | 4P011316-1       |                            | 4        |      |                  |
| C19       |       | 1863444           | Reinforce plate, fan motor     | 補強板 (ファン電動機台)            | 4P211480-2       |                            |          | 4    |                  |
| C21       |       | 1135125           | Hinge                          | 蝶番                       | 3P043374-1       |                            | 1        | 1    |                  |
| C22       |       | 1266524           | Support plate                  | 支柱補強柱                    | 4P061342-1       |                            | 1        | 1    |                  |
| C23       |       | 1605466           | Mounting plate                 | サブライセンサ取付板               | 4P144433-1       |                            | 1        | 1    |                  |
| C24       | A     | 1713330           | Sensor(SS)                     | センサー (SS)                | 3PA61769-16      |                            | 1        | 1    | Refer to Page106 |
| C25       | A     | 1713347           | Sensor(DSS)                    | センサー (DSS)               | 3PA61769-17      |                            | 1        | 1    | Refer to Page106 |
| C26       | A     | 1713354           | Sensor(RS)                     | センサー (RS)                | 3PA61769-18      |                            | 1        | 1    | Refer to Page106 |
| C27       | A     | 1713361           | Sensor(DRS)                    | センサー (DRS)               | 3PA61769-19      |                            | 1        | 1    | Refer to Page106 |
| C28       |       | 860015            | Universal nut                  | 自在ナット                    | R4713188-1       |                            | 1        | 1    |                  |
| C29       |       | 1685170           | Pan head screw                 | ナベ小ネジM5 SUS (土穴付)        | 4P167690-1       |                            | 18       | 18   |                  |
| C30       |       | 860005            | Washer, speed bolt             | スピードボルト用座金               | R4713334         |                            | 2        | 2    |                  |
| C31       |       | 840002            | Drop out prevention washer     | 脱落防止座金                   | R4718607-6       |                            | 2        | 2    |                  |
| C33       |       | 1685187           | Washer                         | 木材座金M5用 (φ20)            | 4P170127-5       |                            | 19       | 19   |                  |
| C34       |       | 1380848           | Cover                          | カバー                      | 3P090387-1       | t1.0                       | 1        | 1    |                  |
| C36       |       | 388339            | Fixture                        | 固定具                      | 4PA11782-1       |                            | 2        | 2    |                  |
| C37       |       | 1667280           | RH sensor mounting plate       | RHセンサ固定板                 | 4P164832-1       |                            | 1        |      |                  |

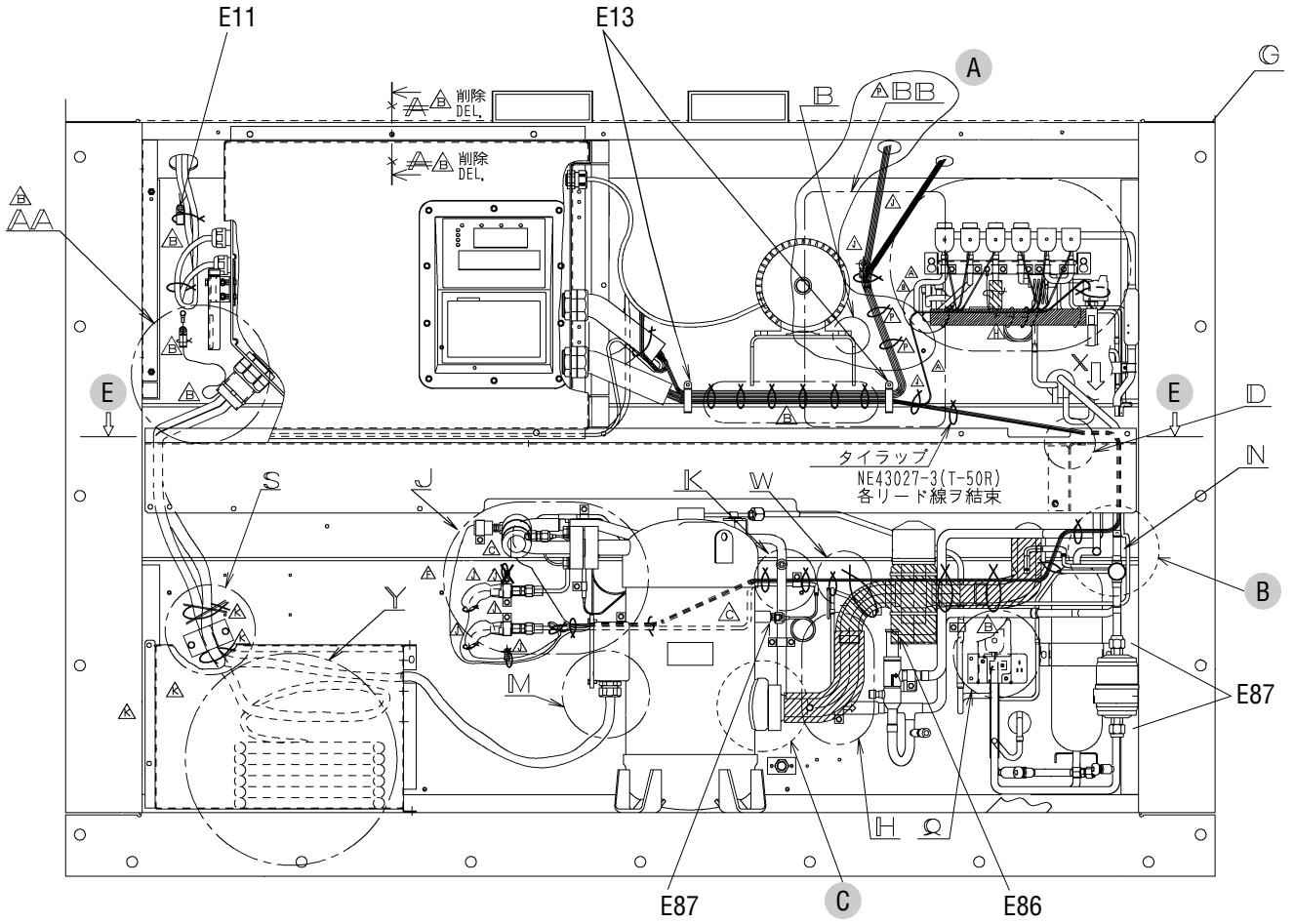




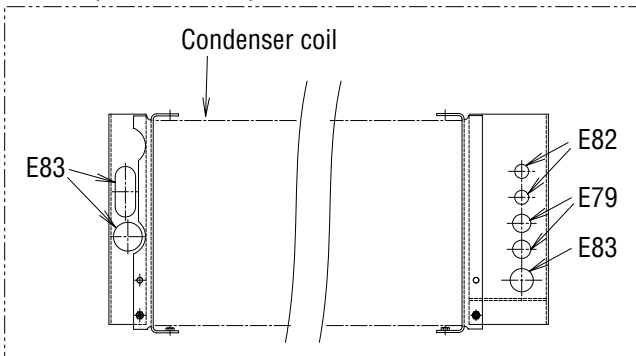




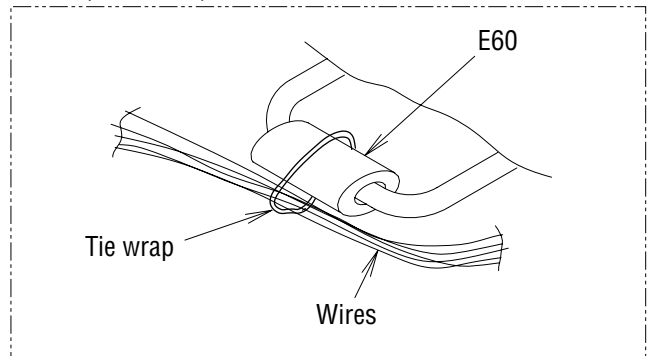
Other parts(Pipe clamp, sealing and insulation material etc.)  
 その他部品 (配管固定具、シール材、防熱材等)



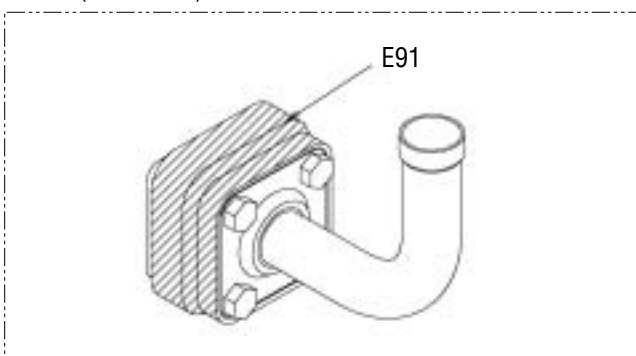
E-E断面(Section of E-E)



B詳細(Detail of B)



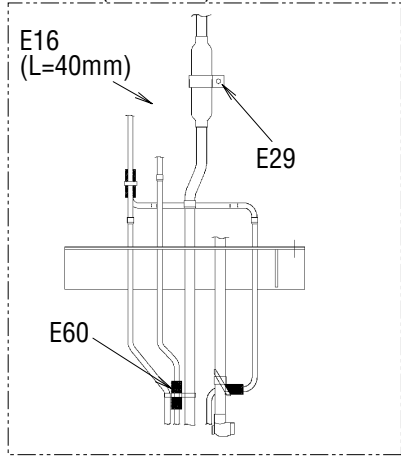
C詳細(Detail of C)



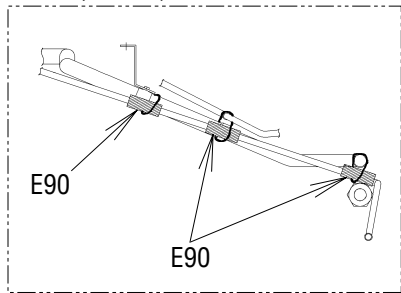
※(L = XX mm) indicates the length of cushion rubber E35.(Cut to suit pipe size.)

※(L = XX mm)と表記のものは、緩衝ゴム(E35)の長さです。(配管のサイズに合わせて切って使用ください。)

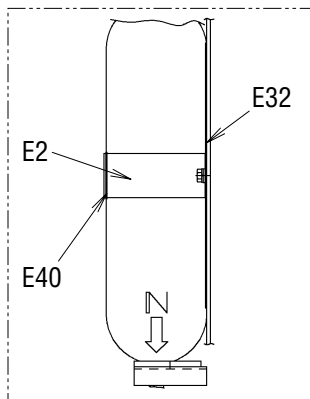
矢視C/D(View C/D)



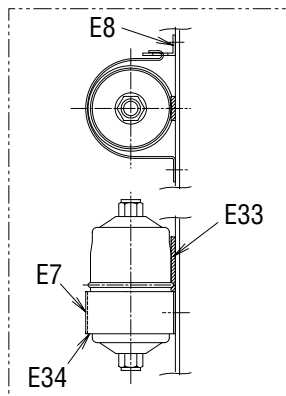
矢視H(View H)



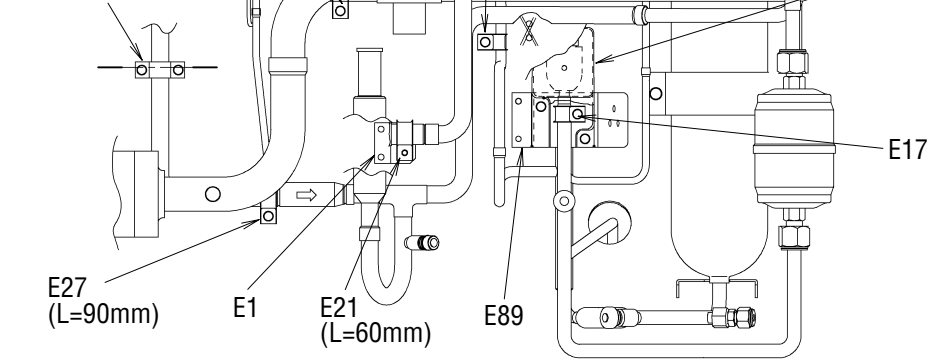
受液機器部詳細  
(Receive part detail)



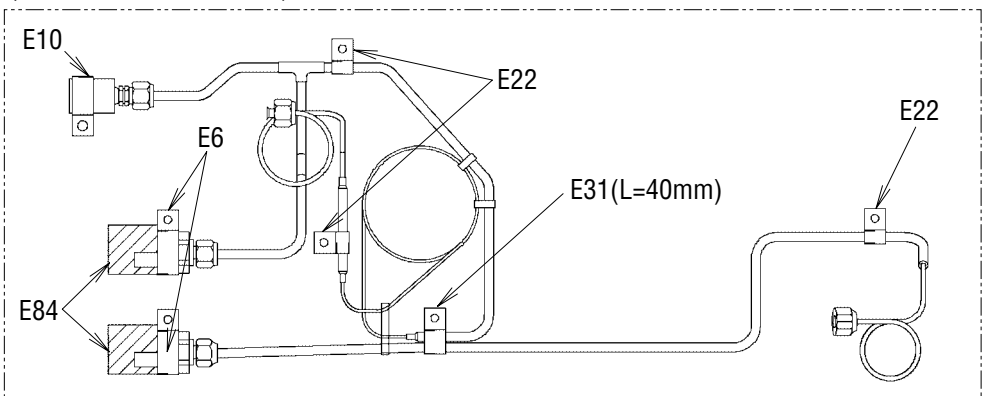
ドライヤー部詳細  
(Dryer part detail)



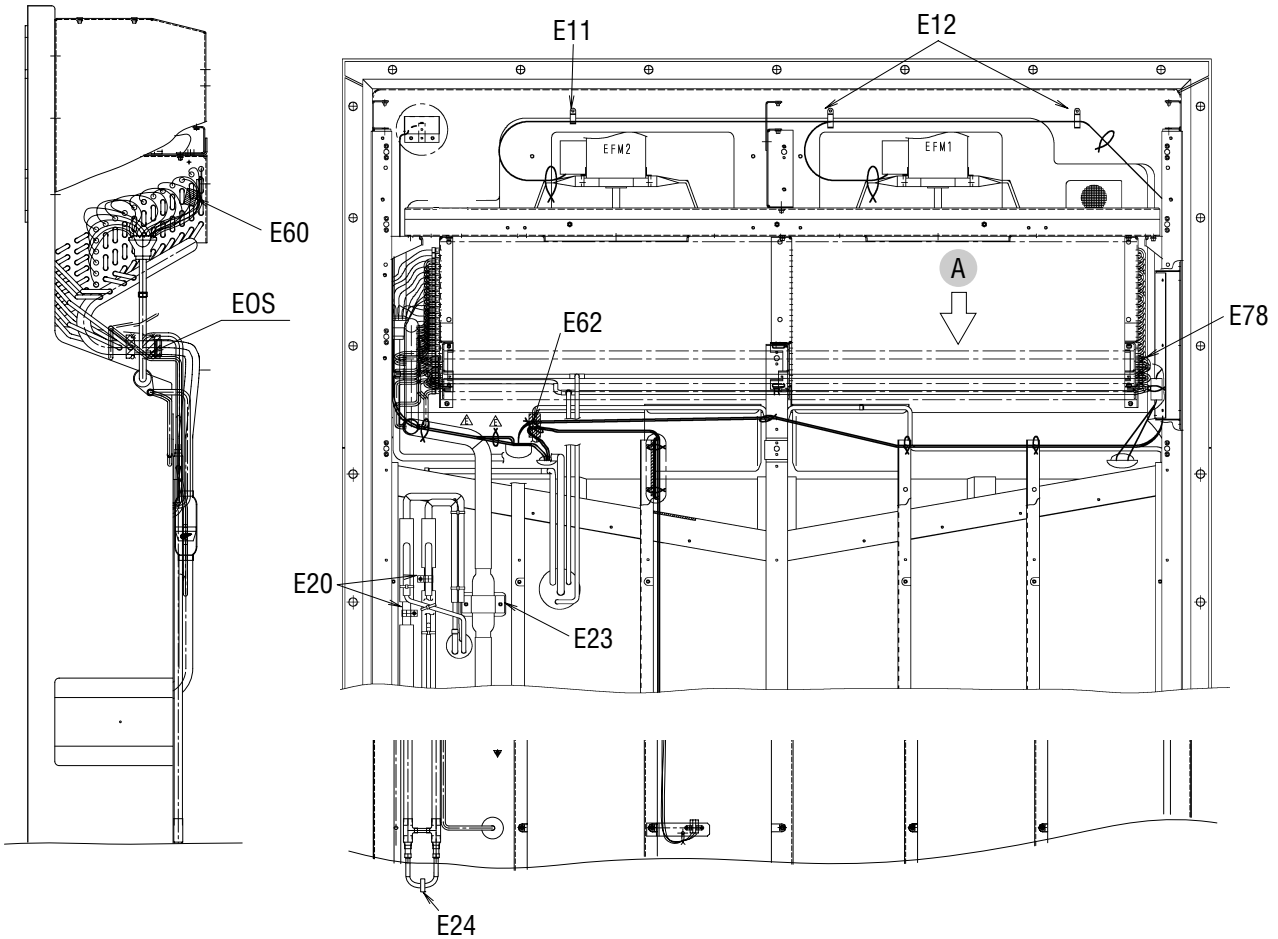
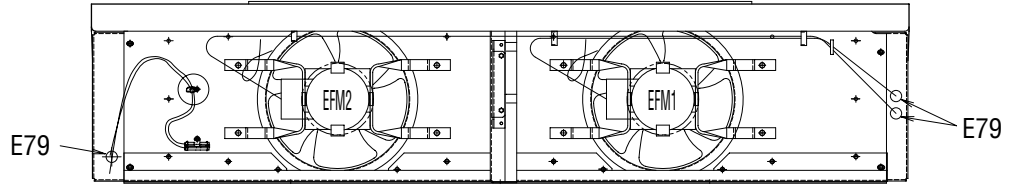
E25  
(L=65mm)



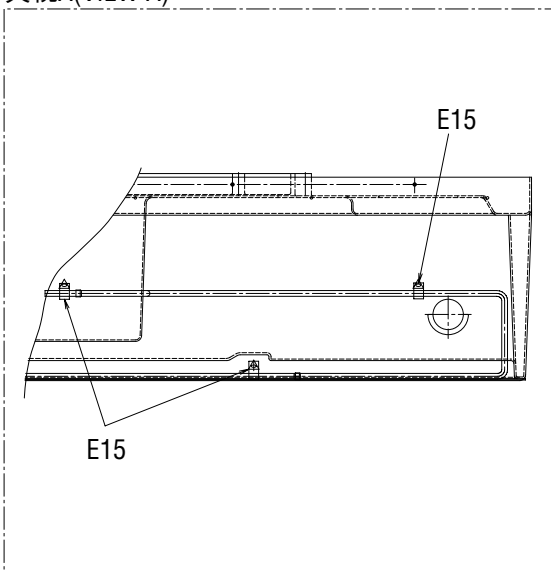
圧力センサー配管部詳細  
(Pressure transducer detail)



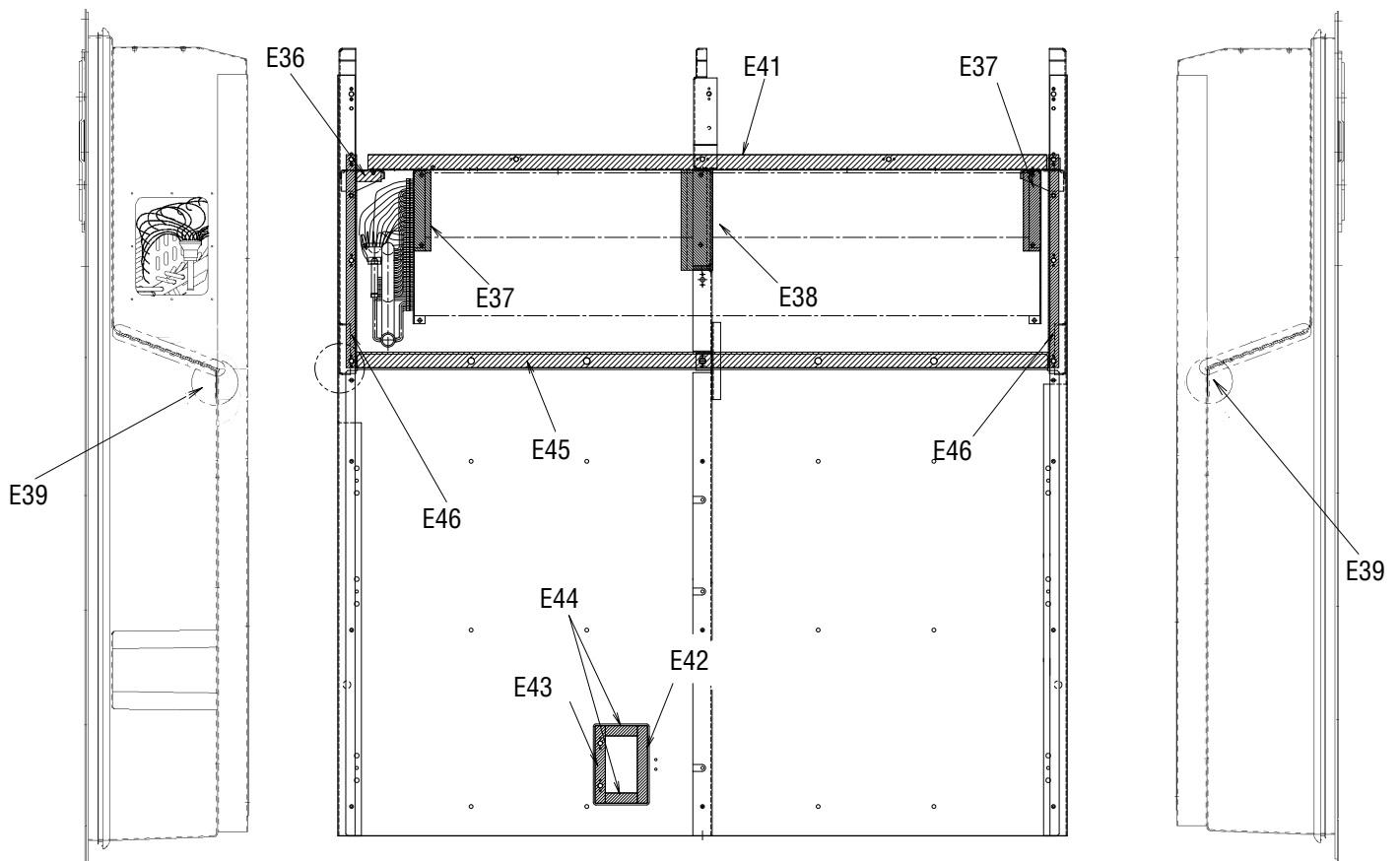
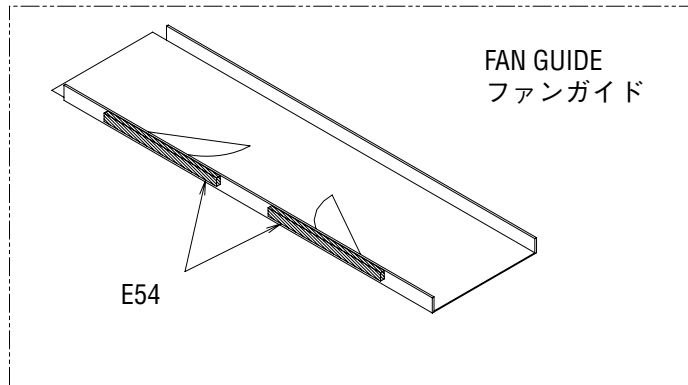
Other parts(Pipe clamp, sealing and insulation material etc.)  
その他部品 (配管固定具、シール材、防熱材等)



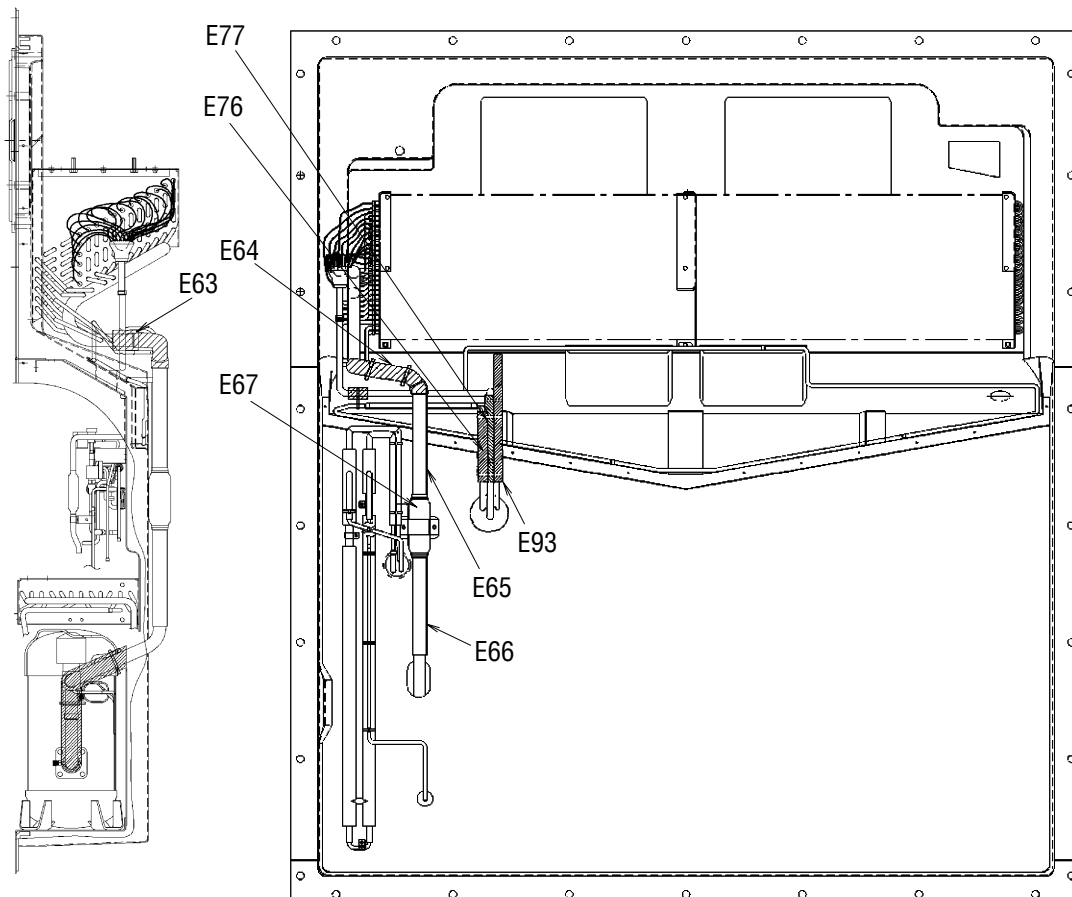
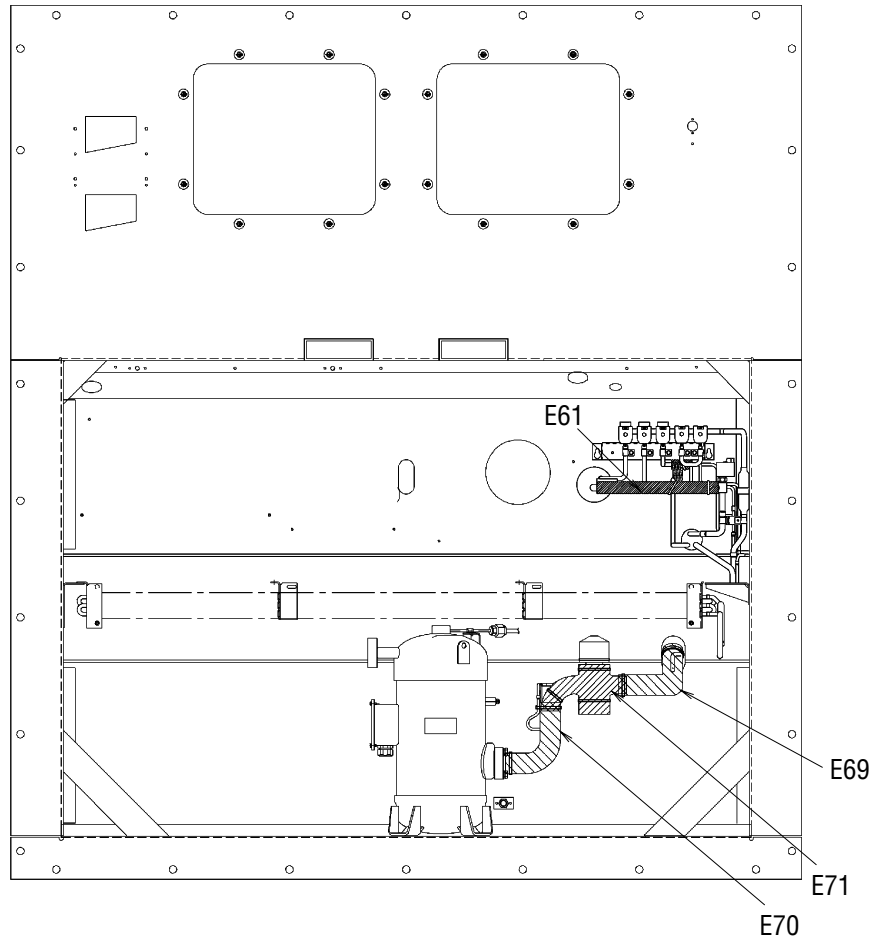
矢視A(VIEW A)







Other parts(Pipe clamp, sealing and insulation material etc.)  
その他部品 (配管固定具、シール材、防熱材等)

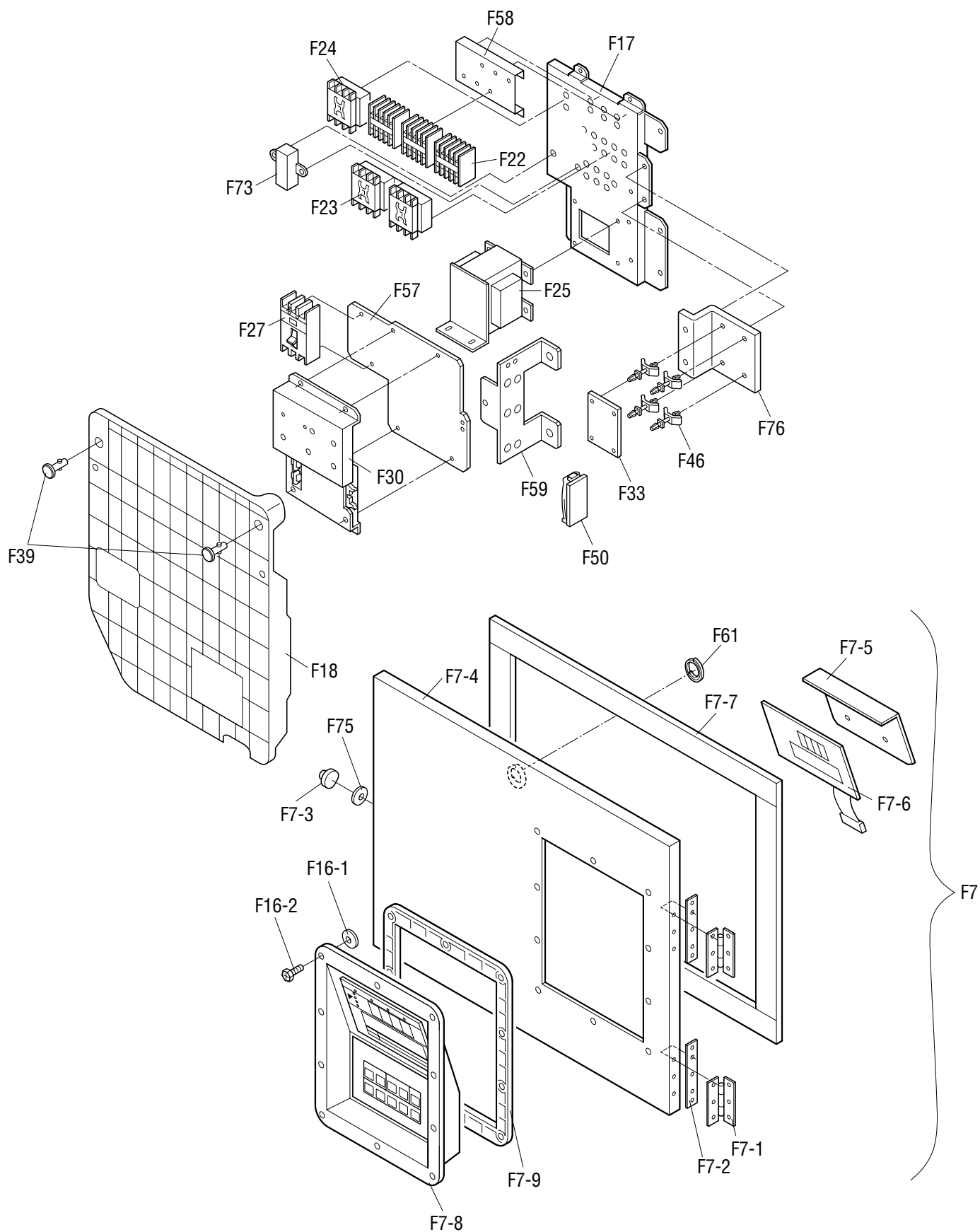


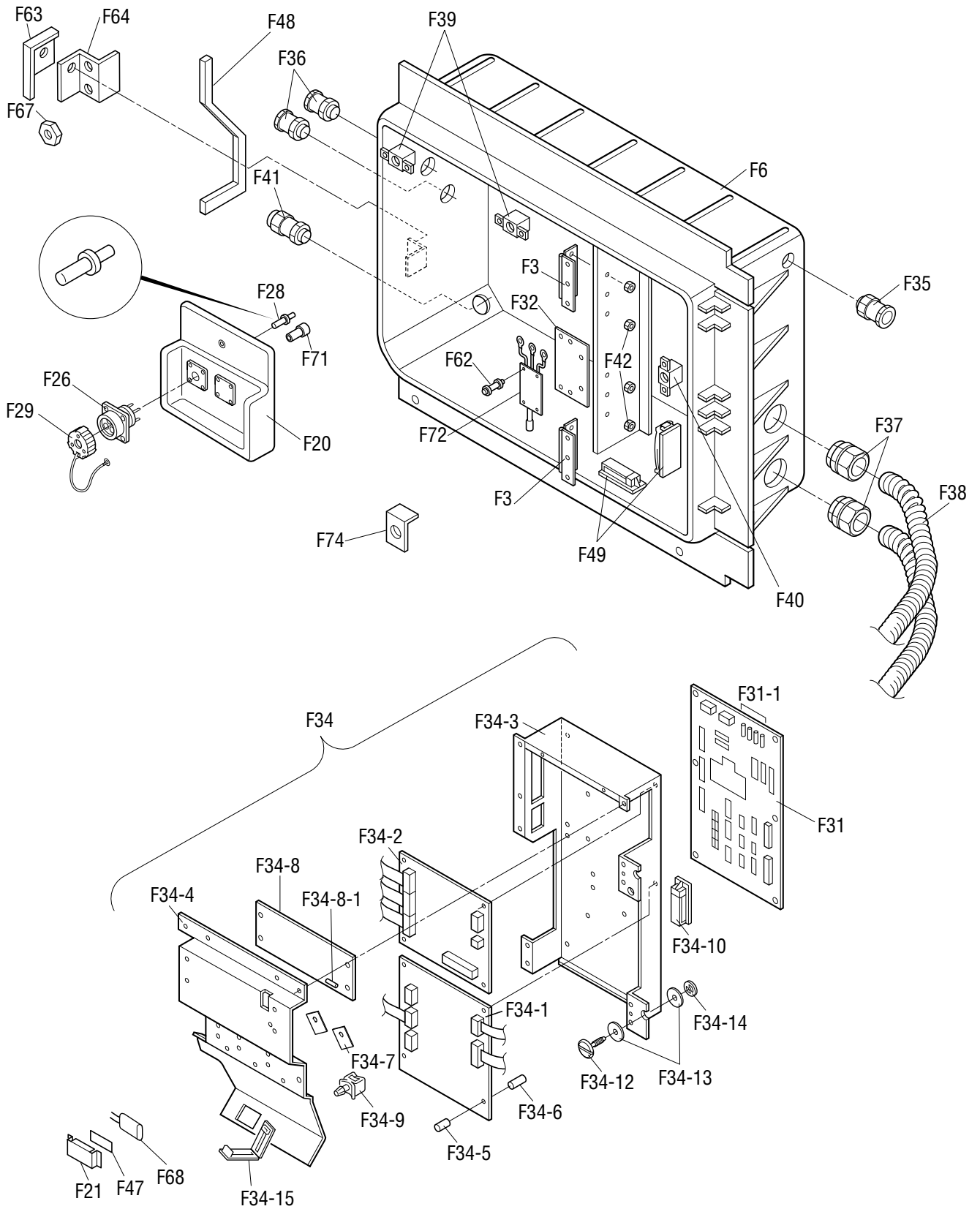
| NO.<br>符号 | INDEX | PARTS NO.<br>部品番号 | PARTS NAME                         | 部品名称           | DWG. NO.<br>図面番号 | TYPE SPECIFICATION<br>形式 仕様 | QTY/UNIT |      | REMARKS<br>備考 |
|-----------|-------|-------------------|------------------------------------|----------------|------------------|-----------------------------|----------|------|---------------|
|           |       |                   |                                    |                |                  |                             | LXE10E-  |      |               |
|           |       |                   |                                    |                |                  |                             | A45      | A45A |               |
| E1        |       | 1779727           | Set plate, discharge pipe          | 吐出配管取付板        | 4P079462-2       |                             | 1        | 1    | Page81        |
| E2        |       | 1779710           | Fixture plate, receiver            | レシーバー固定具       | 4P011318-3       | t1.5                        | 1        | 1    | Page81        |
| E4        |       | 1683972           | Pipe fixing plate                  | 配管取付板組立品 (MSL) | 4P158750-1       |                             | 1        | 1    |               |
| E5        |       | 1726608           | Mounting plate                     | 電磁弁取付板         | 4P172423-1       |                             | 1        | 1    | Page81        |
| E6        |       | 1592425           | Tube clamp                         | 管止め金           | NE31016-58       |                             | 3        | 3    | Page81        |
| E7        |       | 1779804           | Fitting band, dryer                | 取付バンド (ドライヤー)  | 4PA51194-2       | t1.5                        | 1        | 1    | Page81        |
| E8        |       | 1787487           | Set plate, dryer                   | 取付板 (ドライヤー)    | 4P076788-2       | t2.0                        | 1        | 1    | Page81        |
| E10       |       | 1222764           | Resin clamp                        | 樹脂バンド          | NE41015-9        | MILK WHITE                  | 1        | 1    | Page81        |
| E11       |       | 0944528           | Resin clamp                        | 樹脂バンド          | NE41015-7        | MILK WHITE                  | 2        | 2    | Page80,82     |
| E12       |       | 0142492           | Resin clamp                        | 樹脂バンド          | NE41015-10       | MILK WHITE                  | 2        | 2    | Page82        |
| E13       |       | 1266788           | Resin clamp                        | 樹脂バンド          | NE41015-12       | MILK WHITE                  | 6        | 6    | Page80        |
| E14       |       | 0508162           | Resin clamp                        | 樹脂バンド          | NE41015-3        | MILK WHITE                  | 1        |      | Page70,71     |
| E14       |       | 380043            | Resin clamp                        | 樹脂バンド          | NE41015-5        | MILK WHITE                  |          | 1    | Page70,71     |
| E15       |       | 0782775           | Tube clamp                         | 管止め金           | NE31016-51       |                             | 13       | 11   | Page82        |
| E16       |       | 1584215           | Nylon coating tube clamp           | ナイロンコーティング管止め金 | 4P143802-51      |                             | 6        | 6    | Page81        |
| E17       |       | 1584208           | Nylon coating tube clamp           | ナイロンコーティング管止め金 | 4P143802-52      |                             | 1        | 2    | Page81        |
| E20       |       | 1386992           | Tube clamp, double tube heat exch  | 二重管熱交換管止め金     | 4P103281-56      |                             | 2        | 2    | Page82        |
| E21       |       | 0016290           | Tube clamp                         | 管止め金           | NE31016-56       |                             | 1        | 1    | Page81        |
| E22       |       | 1584239           | Nylon coating tube holder          | ナイロンコーティング管止め金 | 4P143802-71      |                             | 4        | 5    | Page81        |
| E23       |       | 1266827           | Fixing plate, filter               | フィルタ固定具        | 4P071794-1       | t1.5                        | 1        | 1    | Page82        |
| E24       |       | 1386985           | Tube clamp, double tube heat exch  | 二重管熱交換管止め金     | 4P103281-51      |                             | 1        | 1    | Page82        |
| E25       |       | 1266841           | Tube clamp                         | 管止め金 (2)       | 4P005817-2       |                             | 1        | 1    | Page81        |
| E26       |       | 1584215           | Nylon coating tube clamp           | ナイロンコーティング管止め金 | 4P143802-51      |                             | 2        | 2    |               |
| E27       |       | 1266858           | Tube clamp                         | 管止め金           | NE31016-59       |                             | 1        | 1    | Page81        |
| E28       |       | 1780145           | Feeler bulb fixture                | 感温筒固定具 (EOS)   | 3P171730-1       | t0.5                        | 1        | 1    | Page78        |
| E29       |       | 1584246           | Nylon coating tube clamp           | ナイロンコーティング管止め金 | 4P143802-59      |                             | 1        | 1    | Page81        |
| E30       |       | 537320            | Hose band                          | ホースバンド         | R4716528-3       |                             | 1        | 1    |               |
| E31       |       | 1380970           | Hot gas tube clamp                 | ホットガス管止め金      | 4PA43040-1       |                             | 1        | 1    | Page81        |
| E32       |       | 1266889           | Cushion rubber, pipe clamp         | 緩衝ゴム (管止用)     | 4P064896-1       | t2.0                        | 1        | 1    | Page81        |
| E33       |       | 1266896           | Seal packing                       | シールパッキン        | 4P011314-1       |                             | 1        | 1    | Page81        |
| E34       |       | 1266904           | Dryer cushion rubber               | ドライヤー緩衝ゴム      | 4PA53083-1       |                             | 1        | 1    | Page81        |
| E35       |       | 1862117           | Shock absorbing rubber             | 管止用緩衝ゴム        | NE41013-3-275    | L=275                       | 1        | 1    |               |
| E36       |       | 1386947           | Sealing material, evaporator frame | 蒸発器受枠 (1) シール材 | 4P090149-1       | t10.0 GRAY                  | 1        | 1    | Page83        |
| E37       |       | 1266935           | Packing(for evaporator)            | パッキン (蒸発器)     | 4P063465-1       |                             | 2        | 2    | Page83        |
| E38       |       | 1266942           | Packing(for evaporator)            | パッキン (蒸発器)     | 4P063465-2       |                             | 1        | 1    | Page83        |
| E39       |       | 1381036           | Packing                            | パッキン           | 4P095033-1       |                             | 2        | 2    | Page83        |
| E40       |       | 1837197           | Cushion rubber                     | 緩衝ゴム           | 4PA53083-3       |                             | 1        | 1    | Page81        |
| E41       |       | 1386954           | Packing, fan guide                 | ファンガイドパッキン     | 3P090183-1       | t5.0 GRAY                   | 1        | 1    | Page83        |
| E42       |       | 1624290           | Supply sensor cover sealing        | シール材 (1)       | 4P154324-1       | t5.0 BLACK                  | 1        | 1    | Page83        |
| E43       |       | 1624290           | Supply sensor cover sealing        | シール材 (1)       | 4P154324-1       | t5.0 BLACK                  | 1        | 1    | Page83        |

Other parts(Pipe clamp, sealing and insulation material etc.)  
 その他部品 (配管固定具、シール材、防熱材等)

| NO.<br>符号 | INDEX | PARTS NO.<br>部品番号 | PARTS NAME<br>部品名称                    | DWG. NO.<br>図面番号        | TYPE SPECIFICATION<br>形式 仕様 | QTY/UNIT              |      | REMARKS<br>備考 |              |
|-----------|-------|-------------------|---------------------------------------|-------------------------|-----------------------------|-----------------------|------|---------------|--------------|
|           |       |                   |                                       |                         |                             | LXE10E-               |      |               |              |
|           |       |                   |                                       |                         |                             | A45                   | A45A |               |              |
| E44       |       | 1624308           | Supply sensor cover sealing           | シール材 (2)                | 4P154324-2                  | t5.0 BLACK            | 2    | 2             | Page83       |
| E45       |       | 1267008           | Sealing packing                       | シールパッキン                 | 3P011293-1                  |                       | 1    | 1             | Page83       |
| E46       |       | 1605422           | Side stay packing                     | サイドステーパッキン              | 4P095033-2                  |                       | 2    | 2             | Page83       |
| E54       |       | 1267060           | Packing for prevention of air bypass  | バイパス防止用パッキン             | 4P011733-1                  |                       | 2    | 2             | Page83       |
| E55       |       | 1267077           | Packing for prevention of vibration   | C A 前板ビビリ防止パッキン         | 4P050050-1                  |                       | 2    | 2             | Page68       |
| E57       |       | 1267091           | Wiring protection bush                | 配線保護ブッシュ                | 4P023920-1                  | BLACK                 | 2    | 2             | Page70,71    |
| E60       |       | 1267293           | Thermal insulation tube               | 断熱筒配管緩衝材                | 4P011309-4                  |                       | 2    | 2             | Page80,81,82 |
| E61       |       | 1683989           | Insulation tube EV outlet pipe        | 膨張弁出口配管防露筒 (P & O)      | 4P170252-1                  |                       | 1    |               | Page81,84    |
| E61       |       | 1714016           | Insulation tube EV outlet pipe        | 膨張弁出口配管防露筒 (標準)         | 4P170252-2                  |                       | 1    |               | Page81,84    |
| E62       |       | 1267123           | Thermal insulation tube piping        | 断熱筒配管緩衝材                | 4P011309-1                  |                       | 1    | 1             | Page82       |
| E63       |       | 1267154           | Insulation tube, evaporater header    | 蒸発器ヘッダー防露筒              | 4P073525-1                  |                       | 1    | 1             | Page84       |
| E64       |       | 1267161           | Cushion material suction pipe(1)      | 吸入配管緩衝材 (1)             | 3P073468-1                  |                       | 1    | 1             | Page84       |
| E65       |       | 1267178           | Cushion material suction pipe(2)      | 吸入配管緩衝材 (2)             | 3P073468-2                  |                       | 1    | 1             | Page84       |
| E66       |       | 1267224           | Cushion material suction pipe(3)      | 吸入配管緩衝材 (3)             | 3P073468-3                  |                       | 1    | 1             | Page84       |
| E67       |       | 1584378           | Suction pipe                          | 吸入配管断熱材                 | 4P140007-1                  |                       | 1    | 1             | Page84       |
| E69       |       | 1267255           | Thermal insulation tube               | 断熱筒 (吸入弁庫外側)            | 4P081186-1                  |                       | 1    | 1             | Page84       |
| E70       |       | 1267262           | Thermal insulation tube               | 断熱筒 (圧縮機根元吸入弁)          | 4P081187-1                  |                       | 1    |               | Page84       |
| E70       |       | 1557732           | Thermal insulation tube, SMV outlet   | 吸入比例弁出口側防露筒             | 4P141065-1                  |                       |      | 1             | Page84       |
| E71       |       | 1448371           | Suction solenoid valve insulator      | 吸入比例弁防熱材 (1)            | 2P079441-1                  |                       | 1    | 1             | Page84       |
| E72       |       | 1267286           | Thermal insulation tube               | 断熱筒配管緩衝材                | 4P011309-3                  |                       | 1    | 1             |              |
| E76       |       | 1267325           | Thermal insulation tube(drain outlet) | 断熱筒 (ドレン入口管防露筒)         | 4P067126-1                  |                       | 1    | 1             | Page84       |
| E77       |       | 1485921           | Thermal insulation tube               | 熱交入口管防露筒                | 4P117089-1                  |                       | 1    | 1             | Page84       |
| E78       |       | 1278921           | Tie wrap(heat resisting)              | タイラップ (耐熱)              | 4SA90202-1                  |                       | 5    | 5             | Page82       |
| E79       |       | 0024640           | Rubber bush                           | ゴムブッシュ                  | R3713279-3                  |                       | 5    | 5             | Page80,82    |
| E82       |       | 1267370           | Rubber bush                           | ゴムブッシュ                  | R3713279-2                  |                       | 2    | 2             | Page80       |
| E83       |       | 1267387           | U-packing                             | U P 字形パッキン              | NA40014-4-500               | L=500                 | 1    | 1             | Page80       |
| E84       | B     | 1605509           | Heat shrinkable tube                  | 熱収縮チューブ                 | 4P151322-1                  | BLACK I.D. φ26.6,10.4 | 2    | 2             | Page81       |
| E86       | B     | 1270453           | Heat shrinkable tube                  | 熱収縮チューブ                 | 4P075241-1                  | BLACK I.D. φ26.6,10.5 | 1    | 1             | Page80       |
| E87       | B     | 1497070           | Thermal insulation tape, no-dry       | 不乾性形断熱テープ               | 3SA90101-3-KA               |                       | 3    | 4             | Page80       |
| E88       |       | 1667297           | LSV cover                             | 液電磁弁カバー                 | 4P164903-1                  |                       | 1    | 1             | Page81       |
| E89       |       | 1779741           | Mounting plate                        | 液電磁弁・サブライセンサー固定板 (カバー有) | 4P165877-2                  |                       | 1    | 1             | Page81       |
| E90       |       | 1381012           | Protection rubber                     | 保護ゴム                    | 4PA43128-1                  |                       | 6    | 6             | Page81       |
| E91       |       | 1448388           | Suction flange                        | 吸入フランジシール材              | 4P083248-1                  |                       | 1    | 1             | Page80       |
| E93       |       | 1381029           | Thermal insulation tube               | レヒートコイル出入口連絡配管防露筒       | 4P102857-1                  |                       | 2    | 2             |              |
|           |       |                   |                                       |                         |                             |                       |      |               |              |
|           |       |                   |                                       |                         |                             |                       |      |               |              |
|           |       |                   |                                       |                         |                             |                       |      |               |              |
|           |       |                   |                                       |                         |                             |                       |      |               |              |
|           |       |                   |                                       |                         |                             |                       |      |               |              |



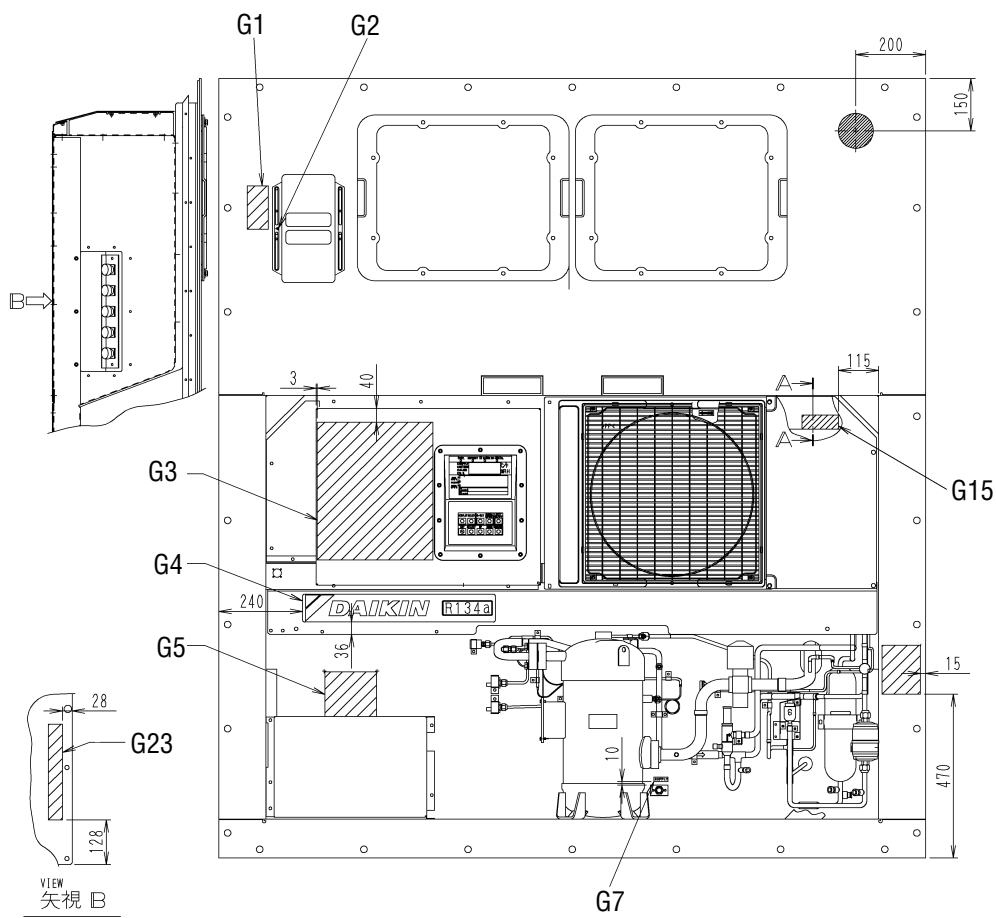




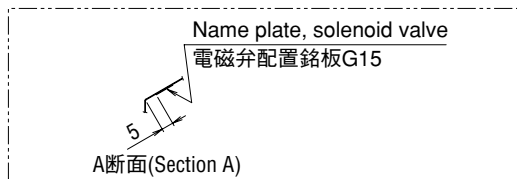
| NO.<br>符号 | INDEX | PARTS NO.<br>部品番号 | PARTS NAME                                     | 部品名称                     | DWG. NO.<br>図面番号 | TYPE SPECIFICATION<br>形式 仕様 | QTY/UNIT |      | REMARKS<br>備考    |
|-----------|-------|-------------------|--|--------------------------|------------------|-----------------------------|----------|------|------------------|
|           |       |                   |  |                          |                  |                             | LXE10E-  |      |                  |
|           |       |                   |  |                          |                  |                             | A45      | A45A |                  |
| F3        | C     | 1136407           | Hinge(control/box cover)                       | 平蝶番(コントロールボックス蓋)         | 4P021346-1       |                             | 2        | 2    |                  |
| F6        |       | 1796289           | Control box welding ass'y                      | コントロールボックス溶接組立品          | 2P197567-1       |                             | 1        | 1    |                  |
| F7        |       | 1739301           | Control box cover ass'y                        | コントロールボックス蓋組立品           | 2P171706-6       |                             | 1        | 1    | Refer to Page102 |
| F7-1      | C     | 1136407           | Hinge(control/box cover)                       | 平蝶番(コントロールボックス蓋)         | 4P021346-1       |                             | 2        | 2    |                  |
| F7-2      |       | 1136414           | Patch plate nut                                | 当板ナット                    | 4P044898-2       |                             | 2        | 2    |                  |
| F7-3      |       | 1267875           | Roller   | ワンタッチ金具用ローラ              | 3P054321-1       |                             | 1        | 1    |                  |
| F7-4      |       | 1739318           | Control box cover welding ass'y                | コントロールボックス蓋溶接組立品         | 3P172570-1       |                             | 1        | 1    |                  |
| F7-5      |       | 1927829           | Display Board Attachment Plate                 | 表示基板取付板                  | 3P078251-2       |                             | 1        | 1    |                  |
| F7-6      | A     | 1010815           | Display board                                  | 表示基板                     | 2P010368-2       |                             | 1        | 1    |                  |
| F7-7      |       | 1497188           | Rubber gasket                                  | パッキン(コントロールボックス蓋)        | 4P111693-1       |                             | 1        | 1    |                  |
| F7-8      | A     | 1295553           | Control panel(with sheet key)                  | コントロールパネル(シートキー付)        | 3P085319-1       |                             | 1        | 1    |                  |
| F7-9      |       | 1128949           | Packing  | パッキン (樹脂パネル)             | 3P030317-1       | t3.0 HARDNESS 60            | 1        | 1    |                  |
| F16-1     |       | 0907062           | Seal washer                                    | シール座金 (ボンテッド座金)          | 4PA21941-5       |                             | 10       | 10   |                  |
| F16-2     |       | 1267488           | Pan head machine screw                         | アップセット小ネジ                | 4P067677-1       | M5X16                       | 10       | 10   |                  |
| F17       |       | 1739325           | Set plate(1)                                   | 機器取付板 (1)                | 2P165714-1       | t1.6                        | 1        | 1    |                  |
| F18       |       | 1739332           | Set plate(2)                                   | 機器取付板 (2)                | 1P173093-1       | BLACK                       | 1        | 1    |                  |
| F20       |       | 1630916           | PC port fixing plate                           | 樹脂製パソコンポート固定具(P P R 5・無) | 2P154325-4       |                             | 1        | 1    |                  |
| F21       |       | 1241138           | Fixing plate, battery                          | 固定板 (電池)                 | 4P010920-1       |                             | 1        | 1    |                  |
| F22       | A     | 119893J           | Magnetic contactor(for Fans)                   | 電磁接触器 (ファン用)             | 3P055568-1       | 24V PAK-6J31C               | 3        | 3    |                  |
| F23       | A     | 124149J           | Magnetic contactor(Phase correction contactor) | 相順切換電磁接触器 ( P C C )      | 3P071508-3       | 24V RSK-35J                 | 1        | 1    |                  |
| F24       | A     | 119891J           | Magnetic contactor(Compressor)                 | 電磁接触器 (圧縮機)              | 3P055566-1       | 24V PAK35J-S536             | 1        | 1    |                  |
| F25       | C     | 1562796           | Low frequency transformer                      | 低周波変圧器                   | 3P139293-1       |                             | 1        | 1    |                  |
| F26       | C     | 1381113           | PC port connector                              | パソコンポートコネクタ              | 3P073218-1       |                             | 1        | 1    |                  |
| F27       | A     | 1381120           | Earth leakage circuit breaker                  | 漏電遮断器                    | 3P093326-1       | 30A                         | 1        | 1    |                  |
| F28       | C     | 1141144           | Contact, receptacle                            | コンタクト                    | 3P010806-1       | HD10                        | 3        | 3    |                  |
| F29       |       | 1381137           | PC port cover ass'y                            | パソコンポートカバー組立品            | 3P010743-2       |                             | 1        | 1    |                  |
| F30       | A     | 0954633           | PT/CT board                                    | P T / C T ボード            | 2P010906-3       |                             | 1        | 1    |                  |
| F31       | A     | 1679137           | Terminal strip board                           | 端子台基板                    | 2P174377-1       |                             | 1        | 1    |                  |
| F31-1     | A     | 003065J           | Fuse, controller                               | 制御用ヒューズ                  | 4SA42006-4       | 250V 10A                    | 6        | 6    |                  |
| F32       |       | 1739349           | Mounting plate humidity sensor                 | 湿度センサ取付板                 | 4P168053-1       | t1.0                        | 1        |      |                  |
| F33       | A     | 1787230           | Reverse phase protector                        | 逆相保護装置 ( R P P )         | 3P198363-1       | 346-440V                    | 1        | 1    |                  |
| F34       |       | 1864454           | Controller assemblies                          | コントローラ組立品                | 3P172236-5       |                             | 1        | 1    |                  |
| F34-1     | A     | 1642553           | PCB ass'y                                      | プリント基板組立品                | 2P161091-2       |                             | 1        | 1    |                  |
| F34-2     | A     | 1775484           | I/O board ass'y                                | プリント基板組立品                | 2P010367-3       | EC0630                      | 1        | 1    |                  |
| F34-3     |       | 1739363           | Bottom plate(sheet metal)                      | コントローラ底板                 | 2P168028-1       | t0.8                        | 1        | 1    |                  |
| F34-4     | B     | 1739370           | Controller cover                               | 蓋 (コントローラ)               | 2P168029-1       | t0.8                        | 1        | 1    |                  |
| F34-5     |       | 1099940           | Support bushing, PCB                           | プリント基板サポートブッシュ           | MI49531-11       |                             | 14       | 14   |                  |
| F34-6     |       | 1099957           | Support color, PCB                             | プリント基板サポートカラー            | MI49531-13       |                             | 14       | 14   |                  |
| F34-7     |       | 1267572           | Rubber transistor                              | 放熱用ゴムトランジスタ              | 4P005330-1       |                             | 2        | 2    |                  |
| F34-8     | A     | 1250783           | PC board for suction modulating valve          | プリント基板組立品(吸入制御弁用)        | 3P065441-1       | EC0058                      | 1        | 1    |                  |



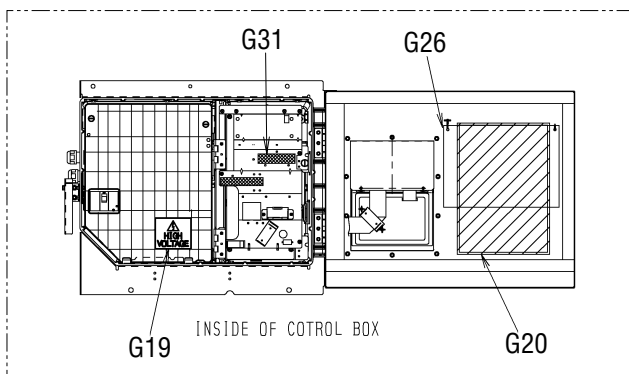
| NO.<br>符号 | INDEX | PARTS NO.<br>部品番号 | PARTS NAME                          | 部品名称                  | DWG. NO.<br>図面番号 | TYPE SPECIFICATION<br>形式 仕様 | QTY/UNIT |      | REMARKS<br>備考 |
|-----------|-------|-------------------|-------------------------------------|-----------------------|------------------|-----------------------------|----------|------|---------------|
|           |       |                   |                                     |                       |                  |                             | LXE10E-  |      |               |
|           |       |                   |                                     |                       |                  |                             | A45      | A45A |               |
| F34-8-1   | A     | 044543J           | Fuse, controller                    | 制御用ヒューズ               | 4SA42006-3       | 250V 5A                     | 1        | 1    |               |
| F34-9     |       | 1267596           | Locking wire saddle                 | ロッキングワイヤサドル           | 4P015570-2       | LWS                         | 3        | 3    |               |
| F34-10    |       | 1267604           | Flat cable clamp                    | フラットケーブルクランプスナップタイプ   | 4P015573-1       |                             | 1        | 1    |               |
| F34-12    |       | 1267611           | Speed bolt                          | スピードボルト (M6)          | 4P048680-3       | M6X20(S)                    | 1        | 1    |               |
| F34-13    |       | 860005            | Washer, speed bolt                  | スピードボルト用座金            | R4713334         |                             | 2        | 2    |               |
| F34-14    |       | 840002            | Drop out prevention washer          | 脱落防止座金                | R4718607-6       |                             | 1        | 1    |               |
| F34-15    |       | 1136539           | Clamp                               | クランプ金具                | 4P015574-2       | FCW                         | 1        | 1    |               |
| F35       |       | 1267628           | Wire(wire ground)                   | 電線 (電線グラウンド)          | 4P067662-1       |                             | 1        | 1    |               |
| F36       |       | 1267635           | Wire(wire ground)                   | 電線 (電線グラウンド)          | 4P067663-1       |                             | 2        | 2    |               |
| F37       |       | 1635346           | Wire ground, flexible tube          | 樹脂製フレキシブル管用グラウンド      | 4P157387-1       |                             | 2        | 2    |               |
| F38       |       | 1635353           | Flexible tube(resin)                | 樹脂製フレキシブル管            | 4P157410-1       |                             | 2        | 2    |               |
| F39       |       | 1267666           | Quick fastener                      | クイックファスナー             | 4P064642-1       |                             | 2        | 2    |               |
| F40       |       | 860015            | Universal nut                       | 自在ナット                 | R4713188-1       |                             | 1        | 1    |               |
| F41       |       | 1743216           | Wire ground,flexible tube           | 樹脂製フレキシブル管用コネクタ       | 4P010926-7       |                             | 1        | 1    |               |
| F42       |       | 833302            | Nylon nut                           | ナイロンナット               | R4716460-1       | M4                          | 4        | 4    |               |
| F46       |       | 380401            | Locking card spacer                 | ロッキングカードスペーサー         | R3428091-2       | KGLS-6S                     | 4        | 4    |               |
| F47       |       | 1267697           | Cushion rubber                      | 緩衝ゴム電池用               | 4P015624-1       |                             | 1        | 1    |               |
| F48       |       | 1739387           | Packing for control box front plate | パッキン(コントロールボックス前板(左)) | 4P172580-1       | t=10                        | 1        | 1    |               |
| F49       |       | 1136539           | Clamp                               | クランプ金具                | 4P015574-2       | FCW                         | 2        | 2    |               |
| F50       |       | 1267712           | Clamp                               | クランプ金具                | 3P049495-1       | FCN-25P                     | 1        | 1    |               |
| F57       |       | 1739394           | Breaker plate 1                     | ブレーカ取付板 (1)           | 3P168052-1       | t1.6                        | 1        | 1    |               |
| F58       |       | 1739495           | Mounting plate, elect components    | 電装品取付板 (2)            | 4P064227-2       | t1.2                        | 1        | 1    |               |
| F59       |       | 1739402           | Breaker plate(2)                    | ブレーカ取付板 (2)           | 3P168051-1       | t1.6                        | 1        | 1    |               |
| F61       |       | 1295623           | Fixtture(instruction ring)          | 固定具(インストラクションリング)     | 4P064698-1       | Wire diameter               | 1        | 1    |               |
| F62       |       | 1381175           | Circuit board spacer                | サーキットボードスペーサ          | 4P000347-1       |                             | 4        |      |               |
| F63       |       | 1295630           | Lever                               | ワンタッチ金具               | 4P085171-1       |                             | 1        | 1    |               |
| F64       |       | 1295647           | Fixing plate for lever              | ワンタッチ金具取付板            | 4P085164-1       |                             | 1        | 1    |               |
| F67       |       | 833301            | Nylon nut                           | ナイロンナット               | R4716460-3       | M6                          | 3        | 3    |               |
| F68       | B     | 0767264           | Tube battery ass'y                  | 乾電池組立品                | 4PA61681-1       |                             | 1        | 1    |               |
| F71       |       | 1381221           | Straight pin                        | 平行ピン(ドイチェ製シールピン)      | 3P040139-1       | SIZE16                      | 2        | 2    |               |
| F72       | A     | 1780284           | Humidy sensor(HUS)                  | 湿度センサー                | 3PA61738-3       | RHU-650B-D2                 | 1        |      |               |
| F73       | B     | 0954640           | Noise filter                        | ノイズフィルタ               | 2PA51273-1       | ZCB2206-11                  | 1        | 1    |               |
| F74       |       | 1780291           | Protection plate                    | 保護板 (YORK製モデム)        | 4P176030-1       | t1.0                        | 1        | 1    |               |
| F75       |       | 1780309           | Bushing                             | ワンタッチ金具ローラ用ブッシュ       | 4P171668-2       |                             | 1        | 1    |               |
| F76       |       | 1780316           | Mounting plate, RPP                 | 逆相保護装置取付板             | 4P168038-1       | t1.0                        | 1        | 1    |               |
|           |       |                   |                                     |                       |                  |                             |          |      |               |
|           |       |                   |                                     |                       |                  |                             |          |      |               |
|           |       |                   |                                     |                       |                  |                             |          |      |               |
|           |       |                   |                                     |                       |                  |                             |          |      |               |
|           |       |                   |                                     |                       |                  |                             |          |      |               |



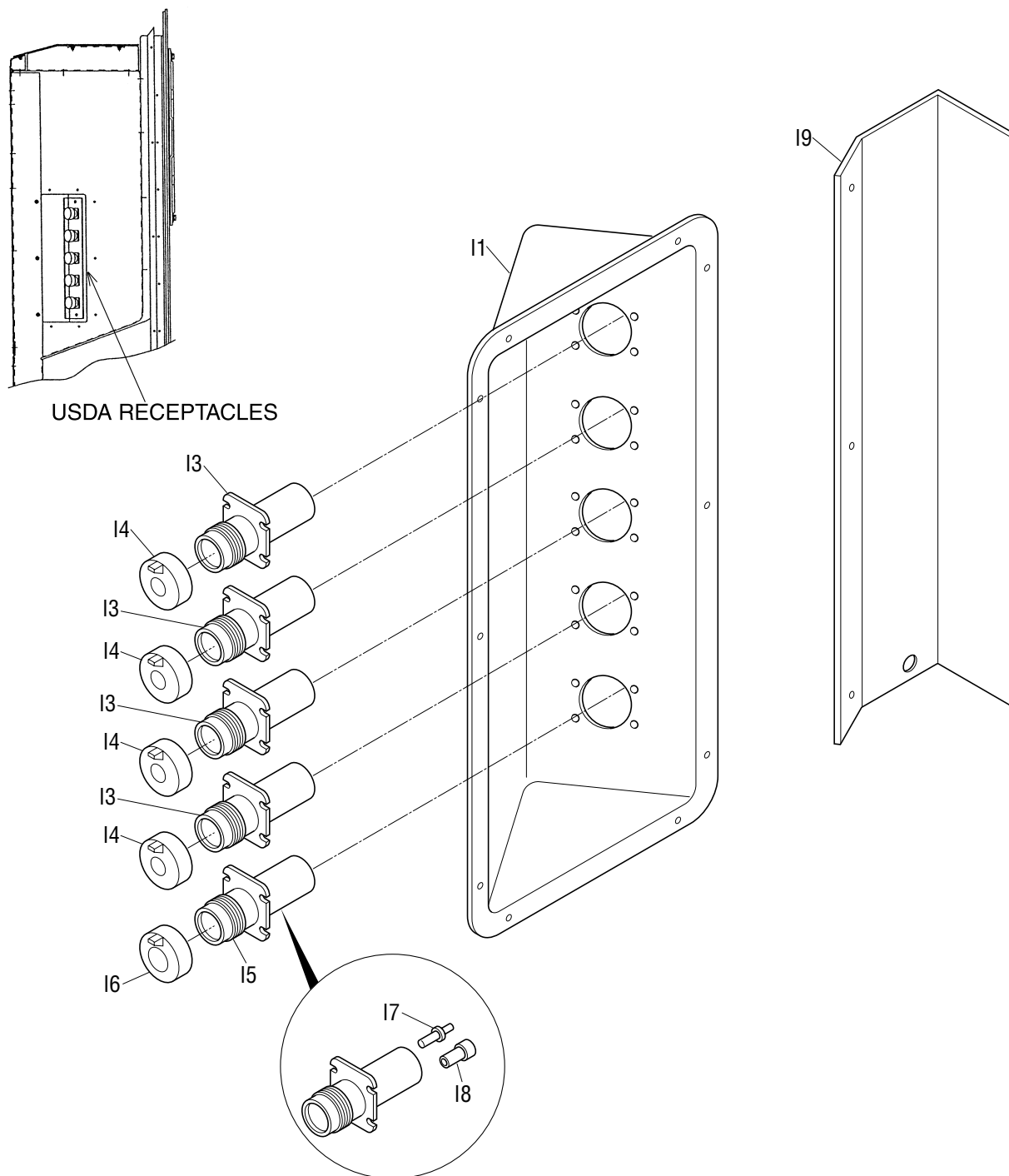
電磁弁配置銘板貼付位置詳細  
(Detail location of nameplate, solenoid valve)



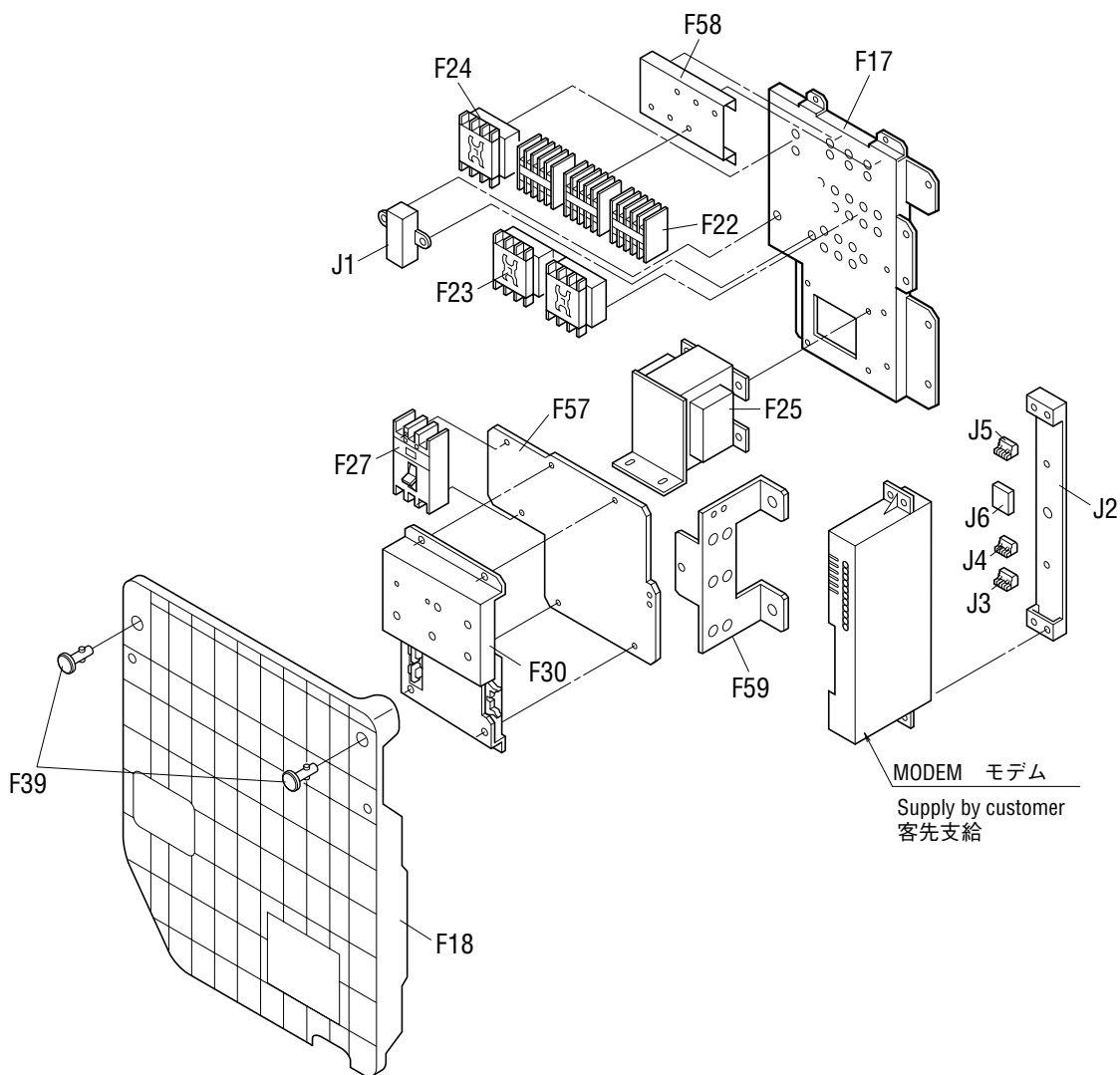
コントロールボックス内部 (Inside of Control Box)







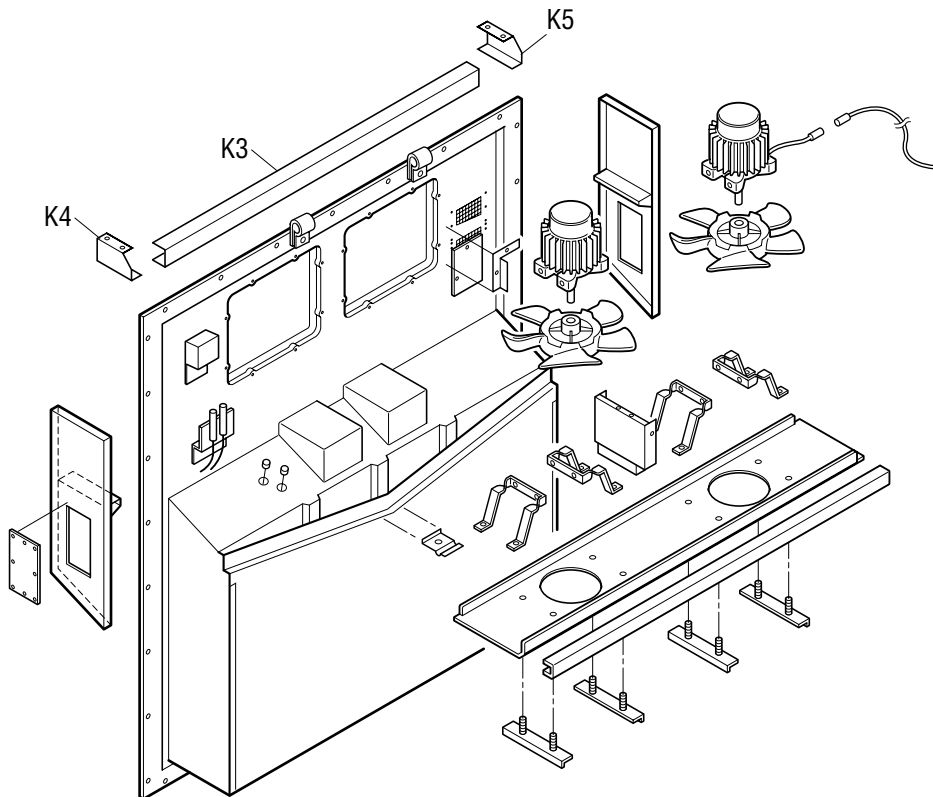






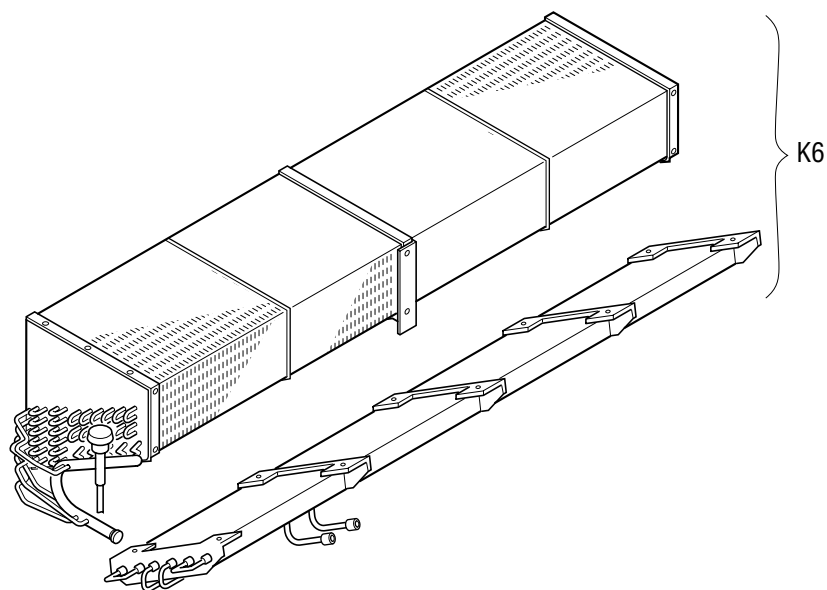
## 1. Indoor fan guard

### 1. 庫内ファンガード



## 2. Evaporator coil

### 2. 蒸発器コイル組立品

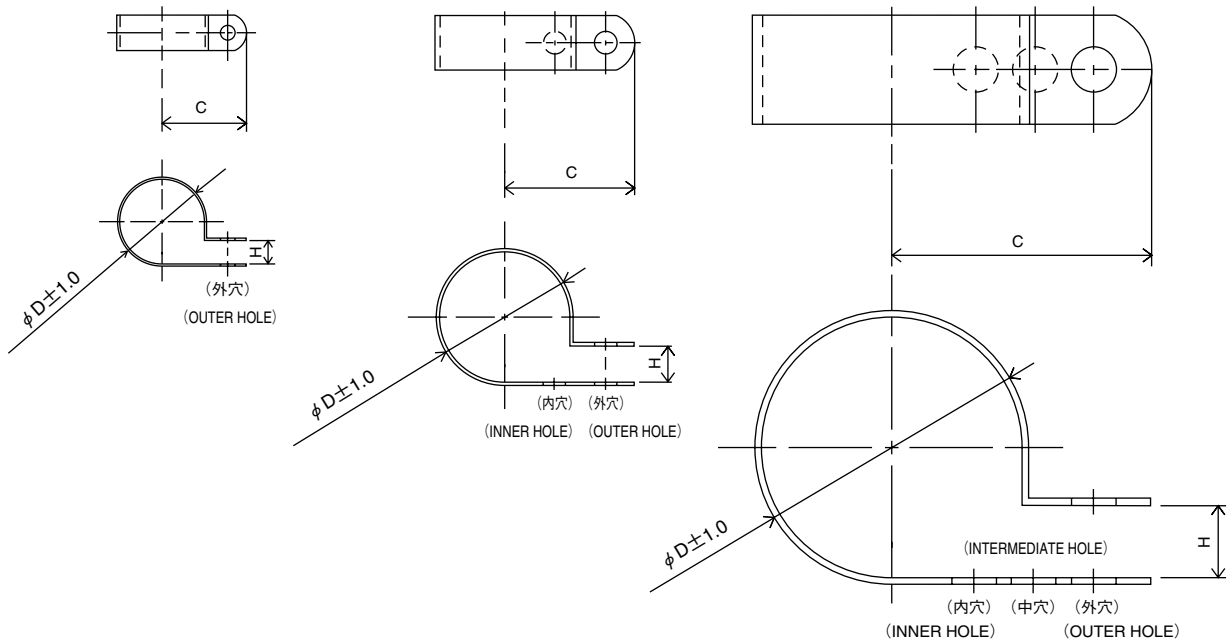






1. Resin clamp

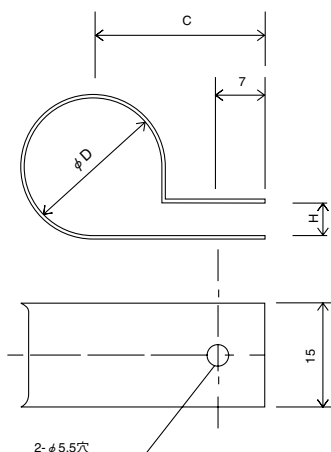
1. 樹脂バンド



| NO.<br>符号 | PARTS NO.<br>部品番号 | PARTS NAME  | 部品名称  | DWG NO.<br>図面番号 | SIZE<br>サイズ |      |     | QTY/UNIT |   |
|-----------|-------------------|-------------|-------|-----------------|-------------|------|-----|----------|---|
|           |                   |             |       |                 | D           | C    | H   | LXE10E-  |   |
| E10       | 1222764           | Resin clamp | 樹脂バンド | NE41015-9       | 26.9        | 27.8 | 7.9 | 1        | 1 |
| E11       | 0944528           | Resin clamp | 樹脂バンド | NE41015-7       | 19.8        | 24.6 | 7.9 | 2        | 2 |
| E12       | 0142492           | Resin clamp | 樹脂バンド | NE41015-10      | 29.2        | 29.4 | 7.9 | 2        | 2 |
| E13       | 1266788           | Resin clamp | 樹脂バンド | NE41015-12      | 39.4        | 34.2 | 9.5 | 6        | 6 |
| E14       | 0508162           | Resin clamp | 樹脂バンド | NE41015-3       | 8.4         | 16.7 | 4.8 | 1        |   |
| E14       | 380043            | Resin clamp | 樹脂バンド | NE41015-5       | 13.2        | 19.1 | 6.4 |          | 1 |

## 2. Tube clamp

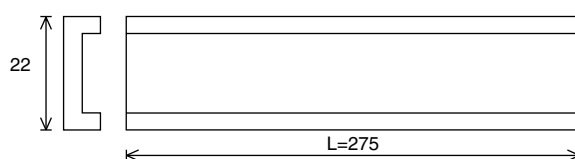
### 2. 管止金



| NO.<br>符号 | PARTS NO.<br>部品番号 | PARTS NAME                | 部品名称           | DWG NO.<br>図面番号 | SIZE<br>サイズ |    |   | QTY/UNIT |    |
|-----------|-------------------|---------------------------|----------------|-----------------|-------------|----|---|----------|----|
|           |                   |                           |                |                 | D           | C  | H | LXE10E-  |    |
| E6        | 1592425           | Tube clamp                | 管止め金           | NE31016-58      | 24          | 27 | 5 | 3        | 3  |
| E15       | 0782775           | Tube clamp                | 管止め金           | NE31016-51      | 10          | 20 | 3 | 13       | 11 |
| E16       | 1584215           | Nylon coating tube clamp  | ナイロンコーティング管止め金 | 4P143802-51     | 10          | 20 | 3 | 6        | 6  |
| E17       | 1584208           | Nylon coating tube clamp  | ナイロンコーティング管止め金 | 4P143802-52     | 12          | 21 | 3 | 1        | 2  |
| E21       | 0016290           | Tube clamp                | 管止め金           | NE31016-56      | 20          | 25 | 5 | 1        | 1  |
| E22       | 1584239           | Nylon coating tube holder | ナイロンコーティング管止め金 | 4P143802-71     | 6.4         | 20 | 1 | 4        | 5  |
| E27       | 1266858           | Tube clamp                | 管止め金           | NE31016-59      | 26          | 28 | 5 | 1        | 1  |
| E29       | 1584246           | Nylon coating tube clamp  | ナイロンコーティング管止め金 | 4P143802-59     | 26          | 28 | 5 | 1        | 1  |

## 3. Cushion rubber for pipe clamp

### 3. 管止金用緩衝ゴム



| NO.<br>符号 | PARTS NO.<br>部品番号 | PARTS NAME     | 部品名称     | DWG NO.<br>図面番号 | REMARKS<br>備考                                |
|-----------|-------------------|----------------|----------|-----------------|--|
| E35       | 1862117           | Cushion rubber | 管止金用緩衝ゴム | NE41013-3-275   | Cut to suit pipe size.<br>配管サイズに合わせて切って使用のこと |

1. Parts recommended to be ordered together with packing, gasket, sealing material and name plate  
1. 発注の際にパッキングやシール材、銘板等の同時発注を推奨する部品

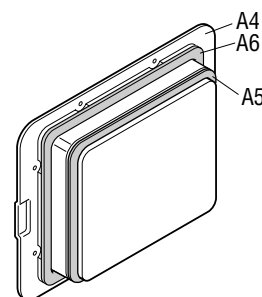
For ordering following spare parts, we recommend that you order the following packing, gasket, sealing material and name plate together at the same time.

上記のサービス扉やボックスカバーを発注の際には、下記のパッキングを同時に発注することをおすすめします。

(1) Service door

(1) サービス扉

| NO.<br>符号 | PARTS NO.<br>部品番号 | PARTS NAME                      | 部品名称           | DWG NO.<br>図面番号 | REMARKS<br>備考   |
|-----------|-------------------|---------------------------------|----------------|-----------------|---|
| A4        | 1612576           | Access panel (FRP)              | サービス扉組立品       | 1P006678-5      | (Without cushion and sealing material)<br>(クッション材、シール材なし) |
| A5        | 1266207           | Cushion material (access panel) | クッション材 (サービス扉) | 3P033608-1      |   |
| A6        | 1196113           | Sealing material (access panel) | シール材 (サービス扉)   | 3P001640-2      |   |



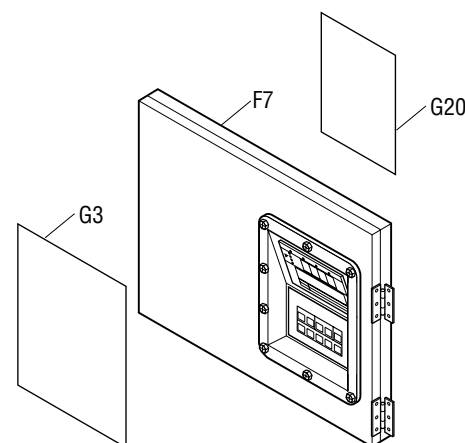
(2) Control box cover

(2) コントロールボックスカバー

| NO.<br>符号 | PARTS NO.<br>部品番号 | PARTS NAME                    | 部品名称                  | DWG NO.<br>図面番号 | QTY/UNIT       |      |
|-----------|-------------------|-------------------------------|-----------------------|-----------------|----------------|------|
|           |                   |                               |                       |                 | LXE10E-<br>A45 | A45A |
| F7        | 1739301           | C.BOX cover ass'y             | コントロールボックス蓋組立品        | 2P171706-6      | 1              | 1    |
| G3        | 1557042           | Name plate, operation         | 操作銘板 (C & M O D E, 英) | 1P136900-1      | 1              | 1    |
| G20       |                   | Electrив wiring diagram label | 電気配線図銘板               | 2D060185-1      | 1              | 1    |

※Rubber gasket, sheet key is attached to control box cover ass'y.

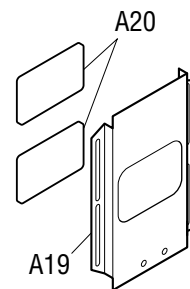
※ゴムガスケットとシートキーはコントロールボックス組立品に付属しています。



( 3 ) Ventilation cover

( 3 ) 換気口蓋

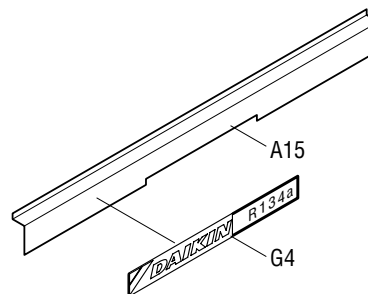
| NO.<br>符号 | PARTS NO.<br>部品番号 | PARTS NAME                       | 部品名称          | DWG NO.<br>図面番号 |
|-----------|-------------------|----------------------------------|---------------|-----------------|
| A19       | 0981060           | Ventilation cover                | 換気口蓋          | 3P003175-1      |
| A20       | 1266221           | Sealing material<br>(ventilator) | シール材<br>(換気口) | 4P016185-1      |



( 4 ) Front plate (CA)

( 4 ) 前板 (CA)

| NO.<br>符号 | PARTS NO.<br>部品番号 | PARTS NAME   | 部品名称                | DWG NO.<br>図面番号 | QTY/UNIT       |      |
|-----------|-------------------|--|---------------------|-----------------|----------------|------|
|           |                   |  |                     |                 | LXE10E-<br>A45 | A45A |
| A15       | 1739286           | Front plate (CA)                                   | 前板 (C A)            | 2P173133-1      | 1              | 1    |
| G4        | 1726552           | Name plate,<br>Brand name and<br>refrigerant label | 意匠銘板お<br>よび冷媒銘<br>板 | 3P174663-1      | 1              | 1    |



## 2. Order for motorized valve, solenoid valve and pressure regulating valve

### 2. 電動弁・電磁弁・圧力調整弁の発注

Refer to the following table for the name, main body, solenoid coil and ass'y of solenoid valves etc. applied to this model.

この機種に使用されている電磁弁等の名称と本体・コイル・組立品は下記のとおりです。

|        | Body/Coil<br>本体/コイル | NO.<br>符号 | PARTS NO.<br>部品番号 | PARTS NAME                             | 部品名称              | DWG NO.<br>図面番号 | QTY/UNIT |     | Common Parts<br>共通部品 |             |             |               |
|--------|---------------------|-----------|-------------------|--|-------------------|-----------------|----------|-----|----------------------|-------------|-------------|---------------|
|        |                     |           |                   |  |                   |                 | LXE10E-  | A45 | A45A                 | NEV-202DXF  | VPV-803PQ60 | NEV-MOAB507C1 |
|        |                     |           |                   |  |                   |                 |          |     |                      |             |             |               |
| 1.EV   | 本体 Body             | B7-3      | 125649J           | Electronic expansion valve body        | 電子膨張弁本体           | 2SA50010-2-KU   | 1        | 1   |                      |             |             |               |
|        | コイル Coil            | B20       | 138143J           | Electronic expansion valve coil        | 電子膨張弁コイル          | 2P010454-2      | 1        | 1   |                      |             |             |               |
| 2.HSV  | 本体 Body             | B7-4      | 1787247           | Hot gas solenoid valve body            | ホットガス電磁弁本体        | 3P198486-1      | 1        | 1   |                      | ○           |             |               |
|        | コイル Coil            | B7-5      | 1266290           | Hot gas solenoid valve coil            | ホットガス電磁弁コイル       | 3P010453-2      | 1        | 1   |                      |             | ○           |               |
| 3.DSV  | 本体 Body             | B7-4      | 1787247           | Defrost bypass solenoid valve body     | デフロストバイパス電磁弁本体    | 3P198486-1      | 1        | 1   |                      | ○           |             |               |
|        | コイル Coil            | B7-5      | 1266290           | Defrost bypass solenoid valve coil     | デフロストバイパス電磁弁コイル   | 3P010453-2      | 1        | 1   |                      |             | ○           |               |
| 4.BSV  | 本体 Body             | B7-4      | 1787247           | Gas bypass solenoid valve body         | ガスバイパス電磁弁本体       | 3P198486-1      | 1        | 1   |                      | ○           |             |               |
|        | コイル Coil            | B7-5      | 1266290           | Gas bypass solenoid valve coil         | ガスバイパス電磁弁コイル      | 3P010453-2      | 1        | 1   |                      |             | ○           |               |
| 5.RSV  | 本体 Body             | B7-4      | 1787247           | Reheat coil bypass solenoid valve body | レヒートコイルバイパス電磁弁本体  | 3P198486-1      | 1        | 1   |                      | ○           |             |               |
|        | コイル Coil            | B7-5      | 1266290           | Reheat coil bypass solenoid valve coil | レヒートコイルバイパス電磁弁コイル | 3P010453-2      | 1        | 1   |                      |             | ○           |               |
| 6.ESV  | 本体 Body             | B7-6      | 0088738           | Economizer solenoid valve body         | エコノマイザー電磁弁本体      | R3305099-1-KI   | 1        | 1   | ○                    |             |             |               |
|        | コイル Coil            | B7-7      | 1266290           | Economizer solenoid valve coil         | エコノマイザー電磁弁コイル     | 3P010453-2      | 1        | 1   |                      |             | ○           |               |
| 7.ISV  | 本体 Body             | B7-6      | 0088738           | Injection solenoid valve body          | インジェクション電磁弁本体     | R3305099-1-KI   | 1        | 1   | ○                    |             |             |               |
|        | コイル Coil            | B7-7      | 1266290           | Injection solenoid valve coil          | インジェクション電磁弁コイル    | 3P010453-2      | 1        | 1   |                      |             | ○           |               |
| 8.LSV  | 本体 Body             | B4-5      | 1787247           | Liquid solenoid valve body             | 液電磁弁本体            | 3P198486-1      | 1        | 1   |                      | ○           |             |               |
|        | コイル Coil            | B4-6      | 0955287           | Liquid solenoid valve coil             | 液電磁弁コイル           | 3P010453-1      | 1        | 1   |                      |             | ○           |               |
| 9.SMV  | 組立品 Ass'y           | B8-1      | 1254538           | Suction modulating Valve               | 吸入比例弁組立品          | 2P078385-1      | 1        | 1   |                      | Note1<br>注1 |             |               |
| 10.DPR | 組立品 Ass'y           | B3-4      | 1241361           | Discharge pressure regulating valve    | 吐出圧力調整弁           | 3P074558-1      | 1        | 1   |                      |             |             |               |

Note 1 : Refer Page 70, 71, 72 and 73 for detail parts of suction modulating valve.

注 1 : SMV (吸入比例弁) の詳細部品はP.70、71、72、73を参照ください。

Note 2 : Difference of solenoid valve No.1266290 and 0955287.

No.1266290 (3P010453-2) : Lead wire length 1550mm (TYPE NEV-MOAB518C1)

No.0955287 (3P010453-1) : Lead wire length 2000mm (TYPE NEV-MOAB507C1)

注 2 : 電磁弁No.1266290とNo.0955287の違い。

No.1266290 (3P010453-2) : リード線長さ1550mm (型式 NEV-MOAB518C1)

No.0955287 (3P010453-1) : リード線長さ2000mm (型式 NEV-MOAB507C1)

### 3. Order for pressure trasducer

### 3. 圧力センサーの発注

Refer to the following table for the pressure transducer applied to this model.

For ordering pressure transducer, we recommend that you order the following best shrinkable tube together at the same time.

この機種に使用している圧力センサーは下記の通りです。

圧力センサー発注の際は、下記の熱収縮チューブを同時に発注することをおすすめします。

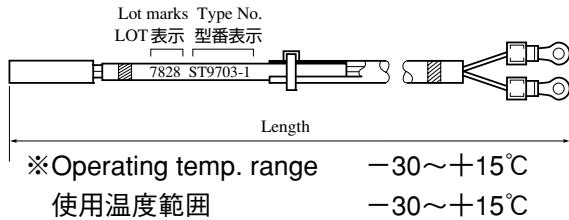
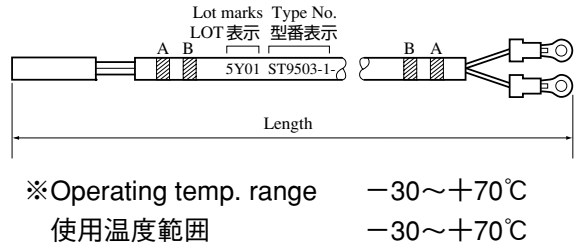
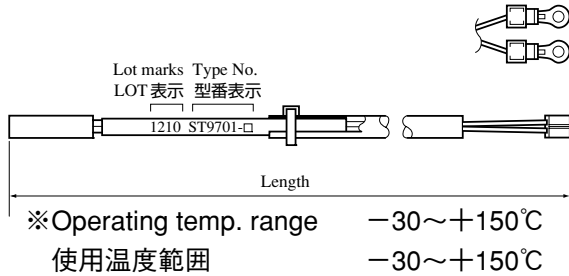
| 呼称名 | NO. 符号 | PARTS NO. 部品番号 | PARTS NAME              | 部品名称         | DWG NO. 図面番号 | TYPE 形式        | REMARKS 備考  |
|-----|--------|----------------|-------------------------|--------------|--------------|----------------|---|
| HPT | B16    | 1587959        | High pressure tranducer | 高圧圧力センサ      | 3P141602-1   | NSK-BD030F-070 |   |
| LPT | B15    | 1587942        | Low pressure tranducer  | 低圧圧力センサ      | 3P141601-1   | NSK-BD010F-070 |   |
|     | E84    | 1605509        | Heat shrinkable tube    | 圧力センサ熱収縮チューブ | 4P151322-1   |                | Must be applied when replacing above sensors.<br>上記圧力センサー交換時使用の事。 |

## 4. Order for temperature sensor

### 4. 温度センサーの発注

Refer to the following table for temperature sensors applied to this model.

この機種に使用されている温度センサーは下記の通りです。



※1 Location 取付場所

Indoor A : Indoor supply air side

Indoor B : Indoor return air side

庫内A : 庫内吹出空気側

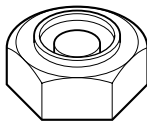
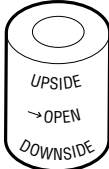
庫内B : 庫内吸込空気側

| 呼称      | NO. 符号 | PARTS NO. 部品番号 | PARTS NAME 部品名称                       | DWG. NO. 図番       | TYPE 形式     | WIRE COLOR 配線色 |          | LENGTH 全長mm | ※1 LOCATION 取付場所 | TEMPORALY EXCHANGABILITY 緊急時互換性 |   |
|---------|--------|----------------|---------------------------------------|-------------------|-------------|----------------|----------|-------------|------------------|---------------------------------|---|
|         |        |                |                                       |                   |             | A              | B        |             |                  |                                 |   |
| 1. SS   | C24    | 1713330        | Supply air temp. sensor               | 吹出空気温度センサー        | 3PA61769-16 | ST9503-16      | green 緑  | -           | 3100             | Indoor A 庫内A                    | ○ |
| 2. DSS  | C25    | 1713347        | Data recorder supply air temp. sensor | データレコーダ吹出空気温度センサー | 3PA61769-17 | ST9503-17      | green 緑  | Red 赤       | 3100             | Indoor A 庫内A                    | ○ |
| 3. RS   | C26    | 1713354        | Return air temp. sensor               | 吸込空気温度センサー        | 3PA61769-18 | ST9503-18      | Blue 青   | -           | 2900             | Indoor B 庫内B                    | ○ |
| 4. DRS  | C27    | 1713361        | Data recorder return air temp. sensor | データレコーダ吸込空気温度センサー | 3PA61769-19 | ST9503-19      | Blue 青   | Red 赤       | 3100             | Indoor B 庫内B                    | ○ |
| 5. EIS  | D4     | 156282J        | Evaporator inlet temp. sensor         | 蒸発器入口温度センサー       | 3P012118-2  | ST9703-2       | Brown 茶  | -           | 2500             | Indoor EVP. 庫内蒸発器               |   |
| 6. EOS  | D5     | 156283J        | Evaporator outlet temp. sensor        | 蒸発器出口温度センサー       | 3PA61769-15 | ST9503-15      | Yellow 黄 | -           | 2600             | Indoor EVP. 庫内蒸発器               | ○ |
| 7. DCHS | B11    | 098332J        | Discharge pipe temp. sensor           | 吐出管温度センサー         | 3SA48009-10 | ST9701-10      | -        | -           | 2910             | Outdoor 庫外                      |   |
| 8. AMBS | B12    | 0798321        | Ambient air temp. sensor              | 外気温度センサー          | 3PA61769-6  | ST9503-6       | -        | -           | 2600             | Outdoor 庫外                      | ○ |
| 9. SGS  | B13    | 098333J        | Compressor suction gas temp. sensor   | 圧縮機吸入ガス温度センサー     | 3PA61769-9  | ST9503-9       | White 白  | -           | 2600             | Outdoor 庫外                      | ○ |



## 1. Tools for emergency operation

### 1. 緊急運転用工具

| NO.<br>符号 | PARTS NO.<br>部品番号 | PARTS NAME         | 部品名称                | DWG NO.<br>図面番号 | USE<br>用途                                      | ILLUSTRATION<br>姿図  |
|-----------|-------------------|--------------------|---------------------|-----------------|--|---|
| -         | 1080263           | Emergency coil cap | エマージェンシー<br>コイルキャップ | 3P017370-1      | For electronic<br>expansion<br>valve<br>電子膨張弁用 |  |
| -         | 1270530           | Emergency magnet   | エマージェンシー<br>マグネット   | 2P078385-2      | Suction<br>modulating<br>valve<br>吸入比例弁用       |  |

(See Service Manual for application.)

(使用方法はサービスマニュアルを参照ください。)

## 2. Personal computer cable (for DCCS)

### 2. パソコンケーブル（DCCS用）

The following parts are connector cables required to exchange information between the refrigeration unit and personal computer. The table below describes parts required to apply to Model LXE-C, -D, and -E new model.

下記の部品は冷凍ユニットとパソコンの情報交換に必要なコネクタ、ケーブル類です。LXE-C型、D型、及び新機種E型対応に必要な部品を掲載しています。

#### [TYPE A]タイプA

|  |                                     |  |
|--|-------------------------------------|--|
| LXE10C<br>LXE10CA<br>LXE10D for MOL                  | LXE10C<br>LXE10CA<br>MOL用LXE10D     |  |
| (Receptacle)<br>RS232C (Female)<br>on the controller | (レセプタクル)<br>RS232C (メス)<br>コントローラー側 |  |

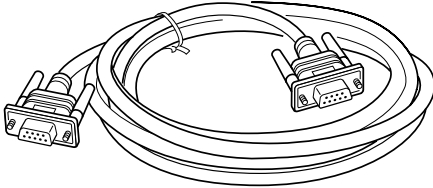
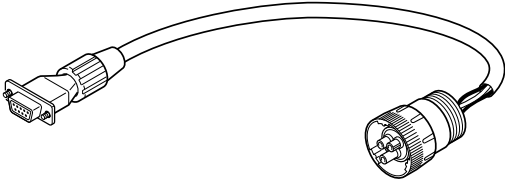
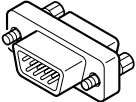
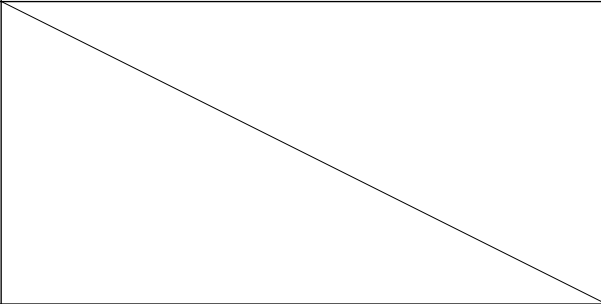
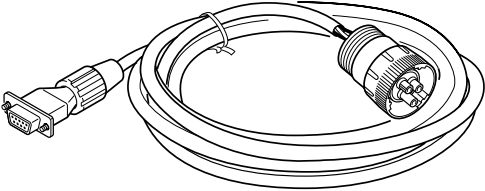
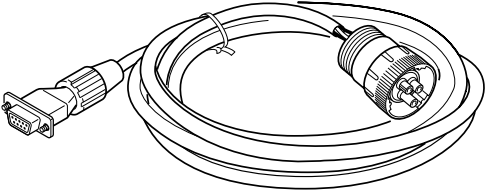
#### [TYPE B]タイプB

|   |                                 |  |
|---|---------------------------------|--|
| LXE10D<br>LXE10E                                | LXE10D<br>LXE10E                |  |
| (Receptacle)<br>Water proof type<br>on the unit | (レセプタクル)<br>コンテナ冷凍機<br>ユニットの防水型 |  |

### (1) Parts No.

### (1) 部品番号

| NO.<br>符号 | PARTS NO.<br>部品番号   | PARTS NAME                  | 部品名称                   | REMARKS<br>備考                                     |
|-----------|---------------------|-----------------------------|------------------------|---|
| ①         | Local supply<br>市販品 | Connection cable (reverse)  | 接続ケーブル<br>(リバース)       | RS232C reverse (cross) type<br>RS232Cリバース (クロス) 型 |
| ②         | 9993324             | Connection cable            | 接続ケーブル                 |   |
| ③         | Local supply<br>市販品 | Adapter<br>(gender changer) | アダプター<br>(ジェンダーチェンジャー) | D-sub 9P, Male-Male<br>Dサブ9ピン、オス-オス               |
| ④         | 1087149             | Connection cable (3 Pins)   | 接続ケーブル (3ピン)           | LXE10E-A For 3 pins<br>LXE10E-A 3ピン用              |
| ⑤         | 1384509             | Connection cable (5 Pins)   | 接続ケーブル (5ピン)           | For LXE10E-A For 5 pins<br>LXE10E-A 5ピン用          |

| NO.<br>符号 | Illustration<br>姿図  | Internal Wiring<br>内部配線   |   |         |   |   |           |   |   |           |   |   |   |   |   |   |   |   |   |   |   |   |   |   |   |   |       |  |       |      |  |      |
|-----------|---|---|---|---------|---|---|-----------|---|---|-----------|---|---|---|---|---|---|---|---|---|---|---|---|---|---|---|---|-------|--|-------|------|--|------|
| ①         |    | <p>RS232C Female      RS232C Female</p> <p>メス                      メス</p> <table border="0"> <tr><td>1</td><td>↔</td><td>1</td></tr> <tr><td>2</td><td>↔</td><td>2</td></tr> <tr><td>3</td><td>↔</td><td>3</td></tr> <tr><td>4</td><td>↔</td><td>4</td></tr> <tr><td>5</td><td>↔</td><td>5</td></tr> <tr><td>6</td><td>↔</td><td>6</td></tr> <tr><td>7</td><td>↔</td><td>7</td></tr> <tr><td>8</td><td>↔</td><td>8</td></tr> <tr><td>Frame</td><td></td><td>Frame</td></tr> <tr><td>フレーム</td><td></td><td>フレーム</td></tr> </table>       | 1 | ↔       | 1 | 2 | ↔         | 2 | 3 | ↔         | 3 | 4 | ↔ | 4 | 5 | ↔ | 5 | 6 | ↔ | 6 | 7 | ↔ | 7 | 8 | ↔ | 8 | Frame |  | Frame | フレーム |  | フレーム |
| 1         | ↔   | 1   |   |         |   |   |           |   |   |           |   |   |   |   |   |   |   |   |   |   |   |   |   |   |   |   |       |  |       |      |  |      |
| 2         | ↔   | 2   |   |         |   |   |           |   |   |           |   |   |   |   |   |   |   |   |   |   |   |   |   |   |   |   |       |  |       |      |  |      |
| 3         | ↔   | 3   |   |         |   |   |           |   |   |           |   |   |   |   |   |   |   |   |   |   |   |   |   |   |   |   |       |  |       |      |  |      |
| 4         | ↔   | 4   |   |         |   |   |           |   |   |           |   |   |   |   |   |   |   |   |   |   |   |   |   |   |   |   |       |  |       |      |  |      |
| 5         | ↔   | 5   |   |         |   |   |           |   |   |           |   |   |   |   |   |   |   |   |   |   |   |   |   |   |   |   |       |  |       |      |  |      |
| 6         | ↔   | 6   |   |         |   |   |           |   |   |           |   |   |   |   |   |   |   |   |   |   |   |   |   |   |   |   |       |  |       |      |  |      |
| 7         | ↔   | 7   |   |         |   |   |           |   |   |           |   |   |   |   |   |   |   |   |   |   |   |   |   |   |   |   |       |  |       |      |  |      |
| 8         | ↔   | 8   |   |         |   |   |           |   |   |           |   |   |   |   |   |   |   |   |   |   |   |   |   |   |   |   |       |  |       |      |  |      |
| Frame     |   | Frame   |   |         |   |   |           |   |   |           |   |   |   |   |   |   |   |   |   |   |   |   |   |   |   |   |       |  |       |      |  |      |
| フレーム      |   | フレーム  |   |         |   |   |           |   |   |           |   |   |   |   |   |   |   |   |   |   |   |   |   |   |   |   |       |  |       |      |  |      |
| ②         |    | <p>Daikin made      RS232C Female</p> <p>ダイキン製                      メス</p> <table border="0"> <tr><td>A</td><td>↔ Red</td><td>1</td></tr> <tr><td>B</td><td>↔ White</td><td>2</td></tr> <tr><td>C</td><td>↔ Black</td><td>3</td></tr> <tr><td></td><td></td><td>4</td></tr> <tr><td></td><td></td><td>5</td></tr> <tr><td></td><td></td><td>6</td></tr> <tr><td></td><td></td><td>7</td></tr> <tr><td></td><td></td><td>8</td></tr> <tr><td></td><td></td><td>9</td></tr> </table>  | A | ↔ Red   | 1 | B | ↔ White   | 2 | C | ↔ Black   | 3 |   |   | 4 |   |   | 5 |   |   | 6 |   |   | 7 |   |   | 8 |       |  | 9     |      |  |      |
| A         | ↔ Red   | 1   |   |         |   |   |           |   |   |           |   |   |   |   |   |   |   |   |   |   |   |   |   |   |   |   |       |  |       |      |  |      |
| B         | ↔ White   | 2   |   |         |   |   |           |   |   |           |   |   |   |   |   |   |   |   |   |   |   |   |   |   |   |   |       |  |       |      |  |      |
| C         | ↔ Black   | 3   |   |         |   |   |           |   |   |           |   |   |   |   |   |   |   |   |   |   |   |   |   |   |   |   |       |  |       |      |  |      |
|           |   | 4   |   |         |   |   |           |   |   |           |   |   |   |   |   |   |   |   |   |   |   |   |   |   |   |   |       |  |       |      |  |      |
|           |   | 5   |   |         |   |   |           |   |   |           |   |   |   |   |   |   |   |   |   |   |   |   |   |   |   |   |       |  |       |      |  |      |
|           |   | 6   |   |         |   |   |           |   |   |           |   |   |   |   |   |   |   |   |   |   |   |   |   |   |   |   |       |  |       |      |  |      |
|           |   | 7   |   |         |   |   |           |   |   |           |   |   |   |   |   |   |   |   |   |   |   |   |   |   |   |   |       |  |       |      |  |      |
|           |   | 8   |   |         |   |   |           |   |   |           |   |   |   |   |   |   |   |   |   |   |   |   |   |   |   |   |       |  |       |      |  |      |
|           |   | 9   |   |         |   |   |           |   |   |           |   |   |   |   |   |   |   |   |   |   |   |   |   |   |   |   |       |  |       |      |  |      |
| ③         |   |    |   |         |   |   |           |   |   |           |   |   |   |   |   |   |   |   |   |   |   |   |   |   |   |   |       |  |       |      |  |      |
| ④         |  | <p>Daikin made      RS232C Female</p> <p>ダイキン製                      メス</p> <table border="0"> <tr><td>A</td><td>↔ Red 赤</td><td>1</td></tr> <tr><td>B</td><td>↔ White 白</td><td>2</td></tr> <tr><td>C</td><td>↔ Black 黒</td><td>3</td></tr> <tr><td></td><td></td><td>4</td></tr> <tr><td></td><td></td><td>5</td></tr> <tr><td></td><td></td><td>6</td></tr> <tr><td></td><td></td><td>7</td></tr> <tr><td></td><td></td><td>8</td></tr> <tr><td></td><td></td><td>Frame</td></tr> <tr><td></td><td></td><td>フレーム</td></tr> </table>   | A | ↔ Red 赤 | 1 | B | ↔ White 白 | 2 | C | ↔ Black 黒 | 3 |   |   | 4 |   |   | 5 |   |   | 6 |   |   | 7 |   |   | 8 |       |  | Frame |      |  | フレーム |
| A         | ↔ Red 赤   | 1   |   |         |   |   |           |   |   |           |   |   |   |   |   |   |   |   |   |   |   |   |   |   |   |   |       |  |       |      |  |      |
| B         | ↔ White 白   | 2   |   |         |   |   |           |   |   |           |   |   |   |   |   |   |   |   |   |   |   |   |   |   |   |   |       |  |       |      |  |      |
| C         | ↔ Black 黒   | 3   |   |         |   |   |           |   |   |           |   |   |   |   |   |   |   |   |   |   |   |   |   |   |   |   |       |  |       |      |  |      |
|           |   | 4   |   |         |   |   |           |   |   |           |   |   |   |   |   |   |   |   |   |   |   |   |   |   |   |   |       |  |       |      |  |      |
|           |   | 5   |   |         |   |   |           |   |   |           |   |   |   |   |   |   |   |   |   |   |   |   |   |   |   |   |       |  |       |      |  |      |
|           |   | 6   |   |         |   |   |           |   |   |           |   |   |   |   |   |   |   |   |   |   |   |   |   |   |   |   |       |  |       |      |  |      |
|           |   | 7   |   |         |   |   |           |   |   |           |   |   |   |   |   |   |   |   |   |   |   |   |   |   |   |   |       |  |       |      |  |      |
|           |   | 8   |   |         |   |   |           |   |   |           |   |   |   |   |   |   |   |   |   |   |   |   |   |   |   |   |       |  |       |      |  |      |
|           |   | Frame   |   |         |   |   |           |   |   |           |   |   |   |   |   |   |   |   |   |   |   |   |   |   |   |   |       |  |       |      |  |      |
|           |   | フレーム  |   |         |   |   |           |   |   |           |   |   |   |   |   |   |   |   |   |   |   |   |   |   |   |   |       |  |       |      |  |      |
| ⑤         |  | <p>Daikin made      RS232C Female</p> <p>ダイキン製                      メス</p> <table border="0"> <tr><td>A</td><td>↔ Red 赤</td><td>1</td></tr> <tr><td>B</td><td>↔ White 白</td><td>2</td></tr> <tr><td>C</td><td>↔ Black 黒</td><td>3</td></tr> <tr><td>D</td><td></td><td>4</td></tr> <tr><td>E</td><td></td><td>5</td></tr> <tr><td></td><td></td><td>6</td></tr> <tr><td></td><td></td><td>7</td></tr> <tr><td></td><td></td><td>8</td></tr> <tr><td></td><td></td><td>Frame</td></tr> <tr><td></td><td></td><td>フレーム</td></tr> </table> | A | ↔ Red 赤 | 1 | B | ↔ White 白 | 2 | C | ↔ Black 黒 | 3 | D |   | 4 | E |   | 5 |   |   | 6 |   |   | 7 |   |   | 8 |       |  | Frame |      |  | フレーム |
| A         | ↔ Red 赤   | 1   |   |         |   |   |           |   |   |           |   |   |   |   |   |   |   |   |   |   |   |   |   |   |   |   |       |  |       |      |  |      |
| B         | ↔ White 白   | 2   |   |         |   |   |           |   |   |           |   |   |   |   |   |   |   |   |   |   |   |   |   |   |   |   |       |  |       |      |  |      |
| C         | ↔ Black 黒   | 3   |   |         |   |   |           |   |   |           |   |   |   |   |   |   |   |   |   |   |   |   |   |   |   |   |       |  |       |      |  |      |
| D         |   | 4   |   |         |   |   |           |   |   |           |   |   |   |   |   |   |   |   |   |   |   |   |   |   |   |   |       |  |       |      |  |      |
| E         |   | 5   |   |         |   |   |           |   |   |           |   |   |   |   |   |   |   |   |   |   |   |   |   |   |   |   |       |  |       |      |  |      |
|           |   | 6   |   |         |   |   |           |   |   |           |   |   |   |   |   |   |   |   |   |   |   |   |   |   |   |   |       |  |       |      |  |      |
|           |   | 7   |   |         |   |   |           |   |   |           |   |   |   |   |   |   |   |   |   |   |   |   |   |   |   |   |       |  |       |      |  |      |
|           |   | 8   |   |         |   |   |           |   |   |           |   |   |   |   |   |   |   |   |   |   |   |   |   |   |   |   |       |  |       |      |  |      |
|           |   | Frame   |   |         |   |   |           |   |   |           |   |   |   |   |   |   |   |   |   |   |   |   |   |   |   |   |       |  |       |      |  |      |
|           |   | フレーム  |   |         |   |   |           |   |   |           |   |   |   |   |   |   |   |   |   |   |   |   |   |   |   |   |       |  |       |      |  |      |

<https://daikin-p.ru>

**ダイキン工業株式会社**  
**大金工業株式会社**  
**大金工業株式会社**  
**DAIKIN INDUSTRIES, LTD.**

本 社 大阪市北区中崎西2丁目4番12号 梅田センタービル  
郵便番号 530-8323 電話 大 阪 (06) 6373-4338  
東京支社 東京都港区港南2-18-1 JR品川イーストビル11階  
郵便番号 108-0075 電話 東 京 (03) 6716-0420

总 公 司 : 大阪市北区中崎西2丁目4-12  
梅田中心大厦(邮政编码: 530-8323)  
电话: 06-6373-4338  
传真: 06-6373-7297

东京分公司: 東京都港区港南2-18-1  
JR品川东楼(邮政编码: 108-0075)  
电话: 03-6716-0420  
传真: 03-6716-0230

總 公 司 : 大阪市北區中崎西2丁目4-12  
梅田中心大厦(郵政編號: 530-8323)  
電話: 06-6373-4338  
傳真: 06-6373-7297

東京分公司: 東京都港區港南2-18-1  
JR品川東樓(郵政編號: 108-0075)  
電話: 03-6716-0420  
轉真: 03-6716-0230

Head Office. Umeda Center Bldg., 4-12, Nakazaki-Nishi 2-chome, Kita-ku, Osaka, 530-8323 Japan.

Tel: 06-6373-4338

Fax: 06-6373-7297

Tokyo Office. JR Shinagawa East Bldg., 11F 18-1, Konan 2-chome, Minato-ku Tokyo, 108-0075 Japan.

Tel: 03-6716-0420

Fax: 03-6716-0230