

<https://daikin-p.ru>

REVISED

**DAIKIN**

**Marine type**

**Container Refrigeration Unit**

---

Service manual

Model

LKEN5BD11

**DAIKIN INDUSTRIES, LTD.**

TR85-05

<https://daikin-p.ru>

This manual describes the features, functions, operation, and maintenance of the container refrigeration unit. In addition, the manuals listed below are also available.

- Parts list
  - Compressor disassembly & reassembly manual.
- Please refer also to these manuals.

## **DANGER**

Do not disconnect plug until power supply is shut off.

## **CAUTION**

Do not start the unit until a plug is connected and generator plant is operated.

## **NOTE**

1. Confirm the function of the temperature recorder and life of the battery when the chart paper is replaced with a new one.
2. Firmly tighten the cover of the control box not to make water ingress.
3. Confirm that the stop valves in the refrigeration circuit are opened before operation.
4. Confirm that the cargos are cooled down to the temperature for transportation in advance.
5. After operating the container refrigeration unit for service, wash the unit with fresh water, especially the external section of the unit carefully, because much salt sticks on the unit.

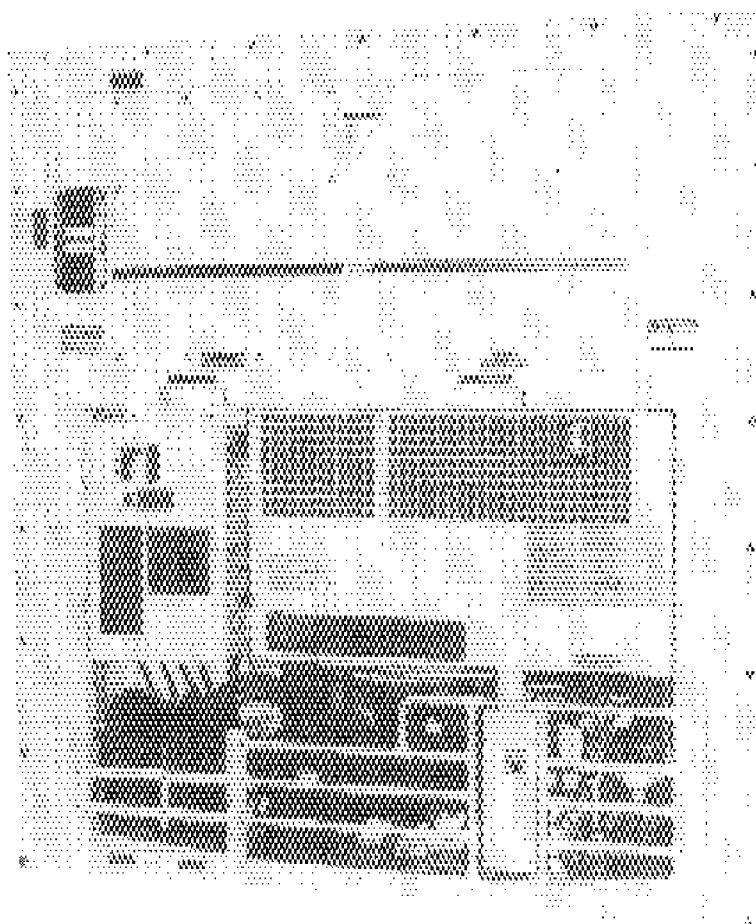
<b>1 . Specification</b> .....	<b>4</b>
<b>1.1 General specification</b> .....	<b>4</b>
<b>1.2 Set values of functional parts</b> .....	<b>5</b>
<b>1.3 Construction</b> .....	<b>6</b>
(1) Outside .....	6
(2) Inside .....	7
(3) Control box .....	8
<b>1.4 Piping diagram</b> .....	<b>9</b>
<b>1.5 Wiring diagram</b> .....	<b>10</b>
1.5.1 Sequence wiring .....	10
1.5.2 Actual wiring .....	11
1.5.3 How to read wiring diagram .....	15
<b>2 . Operation</b> .....	<b>17</b>
2.1 Preparation and operation .....	17
2.2 Checking during operation .....	19
2.3 Maintenance after operation .....	19
<b>3 . Operating modes and circuits</b> .....	<b>20</b>
3.1 Voltage selection system (switching over 200V and 400V class) .....	20
3.2 Air cooled and water cooled operation .....	21
3.3 Frozen operation .....	22
3.4 Chilled operation – capacity control .....	24
3.5 Heating operation .....	25
3.6 Defrost operation .....	26
3.7 Pilot lamps and monitoring circuit .....	27
<b>4 . Major components and maintenance</b> .....	<b>28</b>
<b>4.1 Components related with refrigeration circuit</b> .....	<b>28</b>
4.1.1 Compressor .....	28
4.1.2 Air-cooled condenser and evaporator .....	28
4.1.3 Water-cooled condenser .....	28
4.1.4 Accumulator-receiver with heat exchanger .....	29
4.1.5 Expansion valve .....	29
4.1.6 Liquid/moisture indicator .....	30
4.1.7 Dryer .....	31
4.1.8 Solenoid valves .....	32
4.1.9 Hot gas bypass control valve .....	32
<b>4.2 Components related with the air system</b> .....	<b>33</b>
4.2.1 Fans and motors .....	33
4.2.2 Ventilator .....	33
<b>4.3 Temperature control components</b> .....	<b>34</b>
4.3.1 Electronic recording temperature controller .....	34
4.3.2 Electronic delivery safety thermostat .....	48
4.3.3 Thermistor for inside temperature .....	49
<b>4.4 Description on electrical and functional parts</b> .....	<b>50</b>
4.4.1 Dual pressure switch (63HL) .....	50
4.4.2 Oil pressure protection switch (63QL) .....	51
4.4.3 Water pressure switch (63W) .....	52
4.4.4 Air pressure switch (63DA) .....	52
4.4.5 Defrost termination thermostat (23D) .....	53
4.4.6 Firestat (26AH) .....	53
4.4.7 Defrost timer (2D) .....	53
4.4.8 Electric heaters .....	53
<b>5 . Operating pressure and running current</b> .....	<b>54</b>

6. Troubles and countermeasures.....	55
7. PTI (Pre Trip Inspection).....	57
8. How to maintenance.....	58
8.1 Handling method of the stop valve .....	58
8.2 Attaching or removing points of pressure gauge .....	59
8.3 Pump down .....	60
8.4 Charging and purging the refrigerant .....	61

## 1. Specification

### 1.1 General specification

Power supply	AC 200V	3 Phase 50 Hz
	AC 200, 220V	3 Phase 60 Hz
	AC 380 ~ 415V	3 Phase 50 Hz
	AC 400, 440V	3 Phase 60 Hz
	(Dual voltage rating with voltage selector)	
Compressor	Semi hermetic type (3.75 kW)	
Evaporator	Cross finned coil type	
Air cooled condenser	Cross finned coil type	
Water cooled condenser	Hairpin-shaped tube-in-tube type	
Accumulator-receiver with heat exchanger	Vertical cylinder type	
Fan	Motor direct driven propeller type	
Fan motor	Single-phase squirrel-cage induction motor	
Defrost		
Heat source	Electric heater	
Initiation	Air pressure switch (detecting evaporator pressure difference), timer or manual switch.	
Termination	Sensing evaporator temperature by defrost termination thermostat	
Capacity control	Hot gas bypass control (with delivery safety thermostat)	
Protection devices	Circuit breakers, Over current relay, Dual pressure switch, Oil pressure protection switch, Fusible plug, Firestat, Compressor motor protection thermostat, Fan motor protection thermostat.	
Refrigerant	R-12 (4.5 kg)	
Lubricant	SUNISO 3GS-DI (2.3 ℓ)	
Weight	Approx. 620 kg	

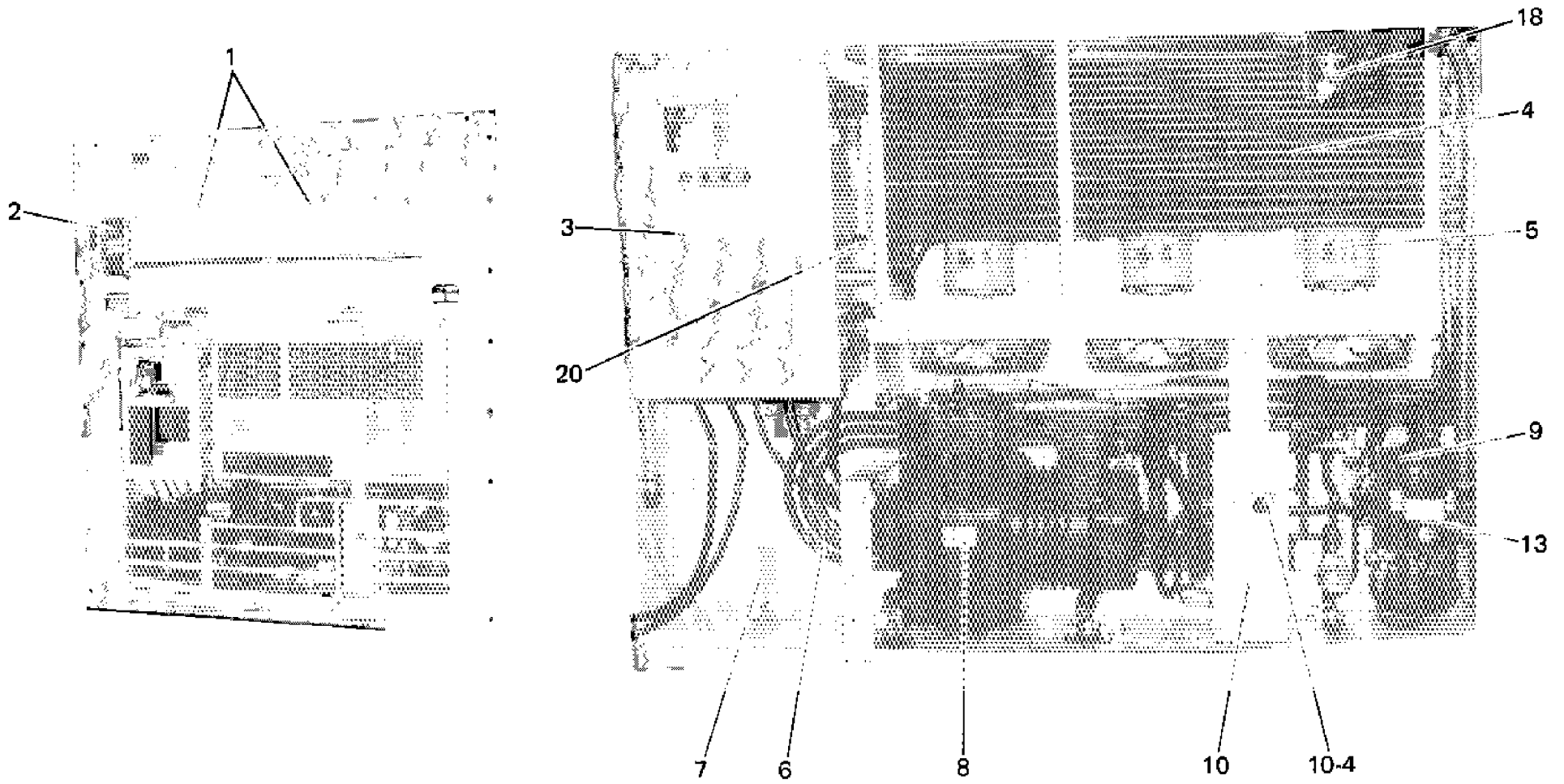


1.2 Set values of functional parts

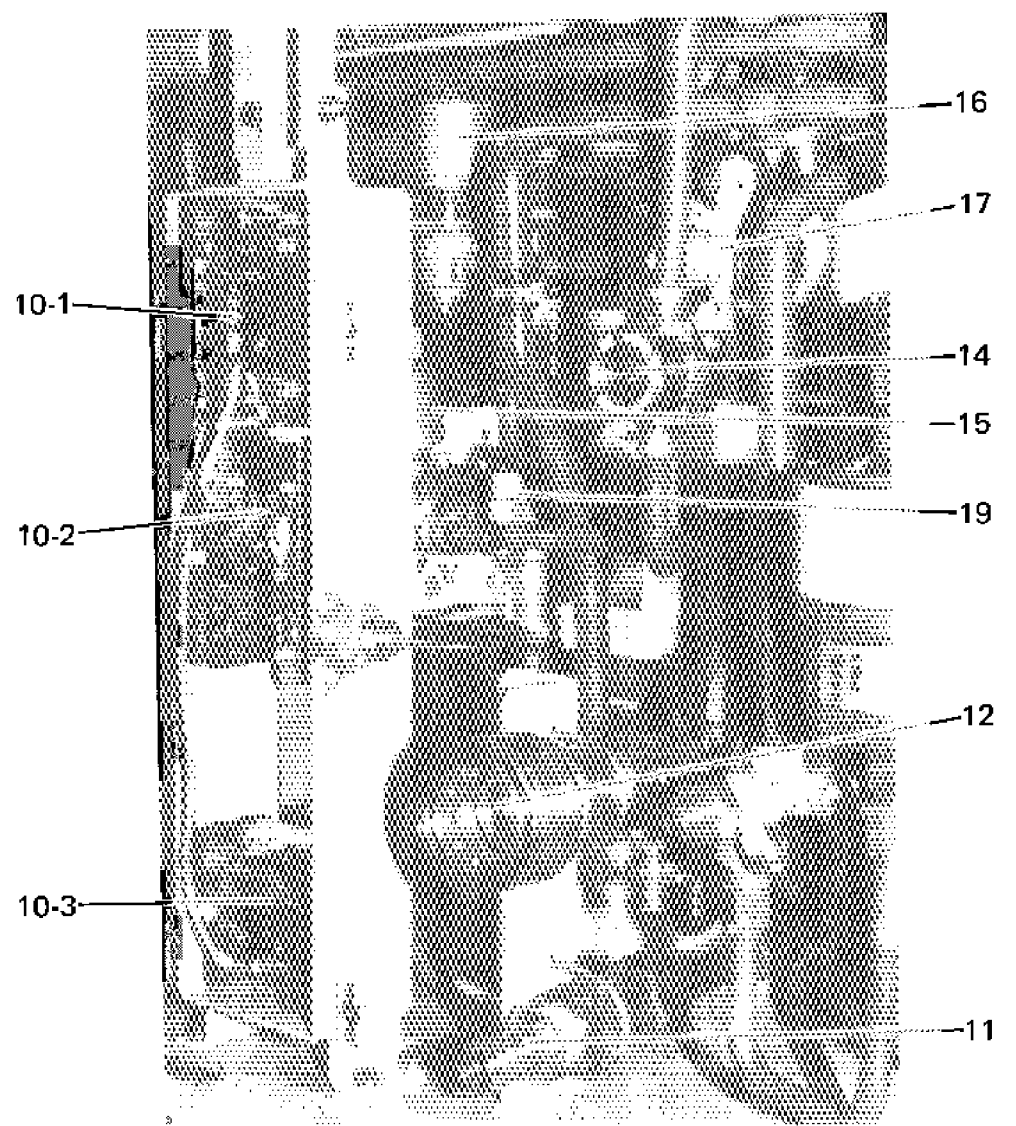
Part name	Mark	Function	Set value
Oil pressure protection switch ONS-C106Q	63QL	Heater circuit OFF ON Timer	1.0kg/cm <sup>2</sup> 0.5kg/cm <sup>2</sup> 110 seconds (ambient temperature 25°C) More than 5 seconds (ambient temperature 70°C)
Dual pressure switch DNS-D306Q	63HL	Low pressure OFF ON High pressure OFF ON	40cmHgV 0.2kg/cm <sup>2</sup> 20kg/cm <sup>2</sup> 16.5kg/cm <sup>2</sup>
Water pressure switch SNS-C106Q6	63W	OFF ON	1.0kg/cm <sup>2</sup> 0.4kg/cm <sup>2</sup>
Firestat TAKACHIHO ST-5B 71/49	26AH	OFF ON	71°C (160°F) 49°C (120°F)
Defrost termination thermostat TAKACHIHO ST-5B 40/20	23D	OFF ON	40°C (104°F) 20°C (68°C) (For MFG. No. 6500242~)
Air pressure switch SDS-K102	63DA	ON	20mmH <sub>2</sub> O
TAKACHIHO STP-D73-4	2D	ON	12h (60Hz) 14½h (50Hz)
Overcurrent relay T-20-NP <sub>2</sub> S <sub>4</sub>	51C	OFF	5.5A
Circuit breaker (main circuit) MK-53	52C1	OFF	32A
Circuit breaker (control circuit) CP31	52C2	OFF	7A
Thermal protector (Fan motor)		OFF	120°C (248°F)
Thermal protector (Compressor)	49	OFF	105°C (221°F)

### 1.3 Construction

#### (1) Outside

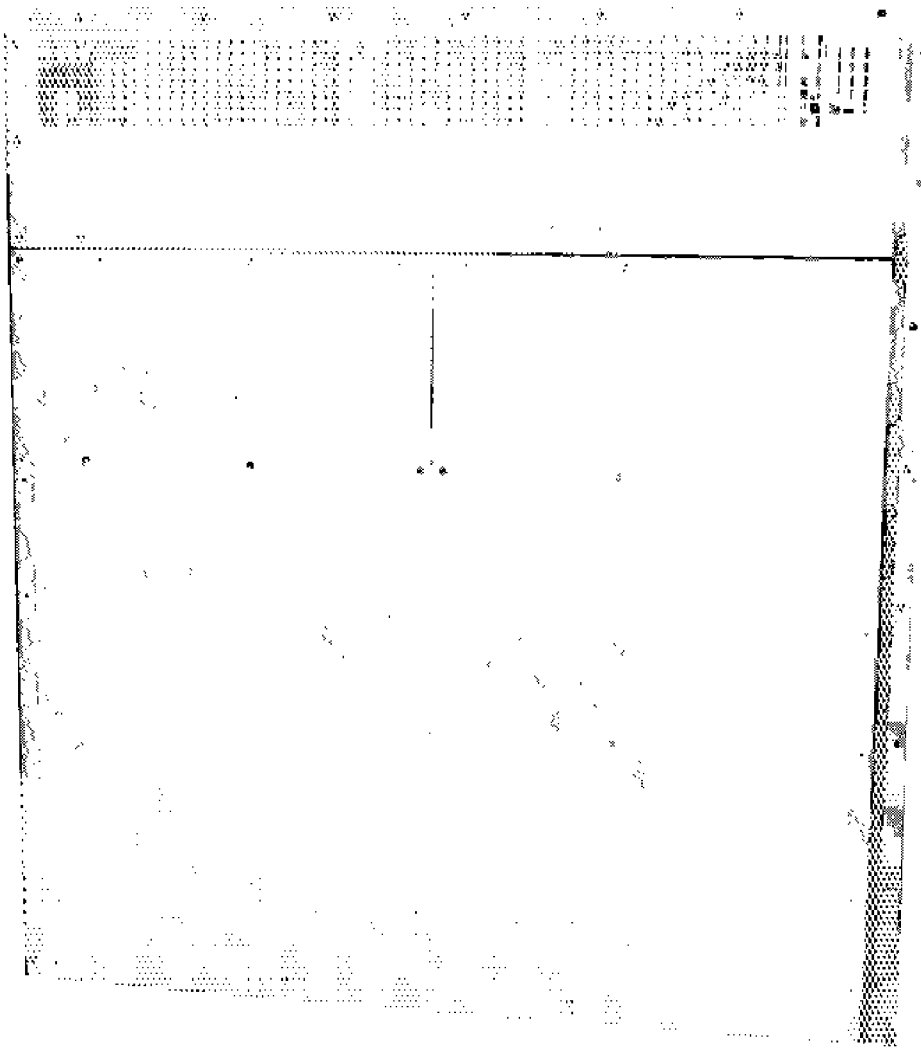


- 1 Access panel
- 2 Ventilator
- 3 Control box
- 4 Air cooled condenser
- 5 Condenser fan motor
- 6 Water cooled condenser
- 7 Cable stowage
- 8 Compressor
- 9 Accumulator-receiver with heat exchanger
- 10 Pressure switch box
  - 10 – 1 Dual pressure switch (63HL)
  - 10 – 2 Oil pressure protection switch (63QL)
  - 10 – 3 Water pressure switch (63W)
  - 10 – 4 Reset button for oil pressure protection switch
- 11 Water inlet coupling
- 12 Water outlet coupling
- 13 Dryer
- 14 Liquid/moisture indicator
- 15 Solenoid valve (For liquid line)
- 16 Solenoid valve (For hot gas bypass)
- 17 Stop valve for hot gas line (For hot gas bypass)
- 18 Expansion valve
- 19 Hot gas bypass valve
- 20 Voltage selector switch

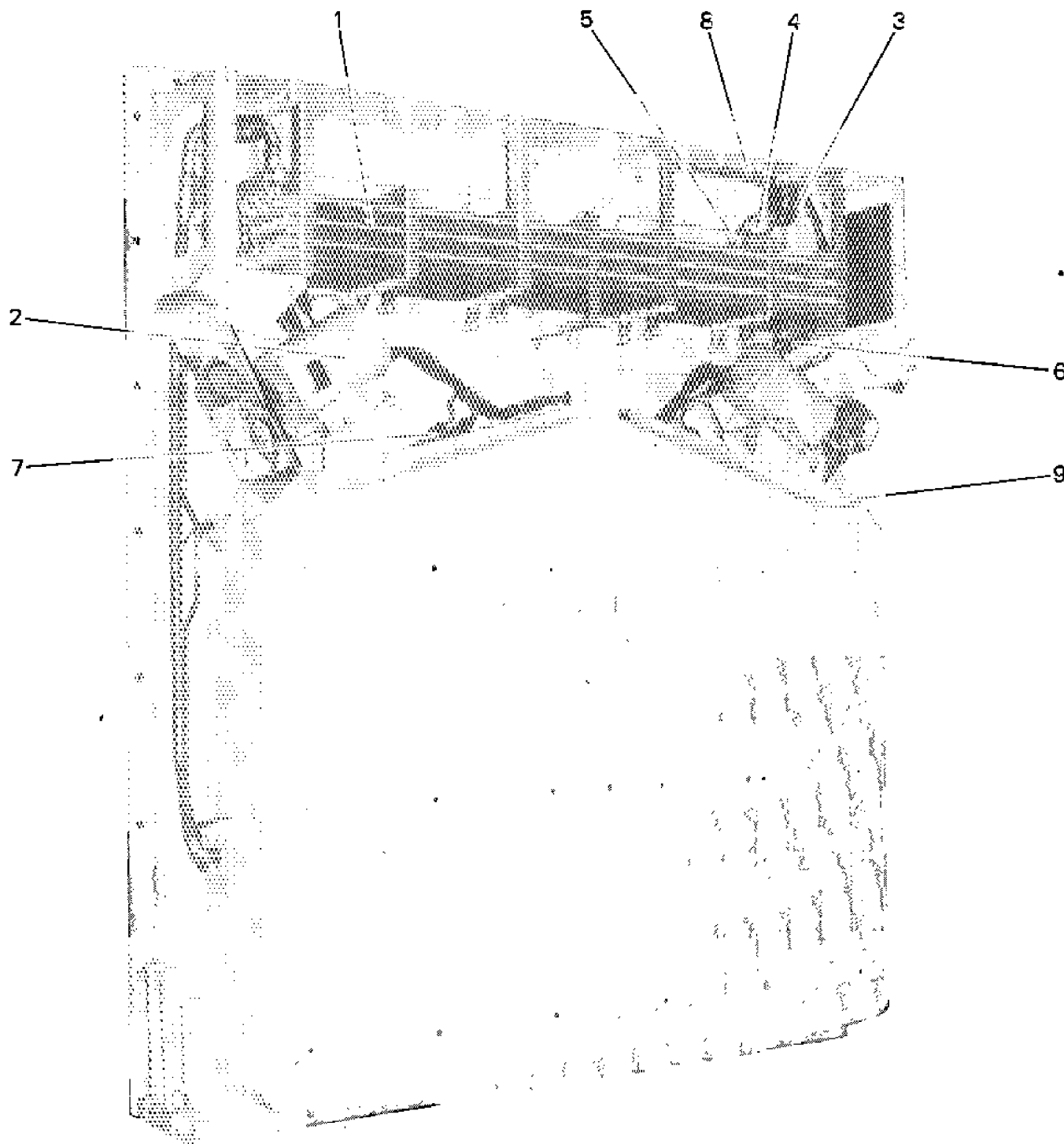




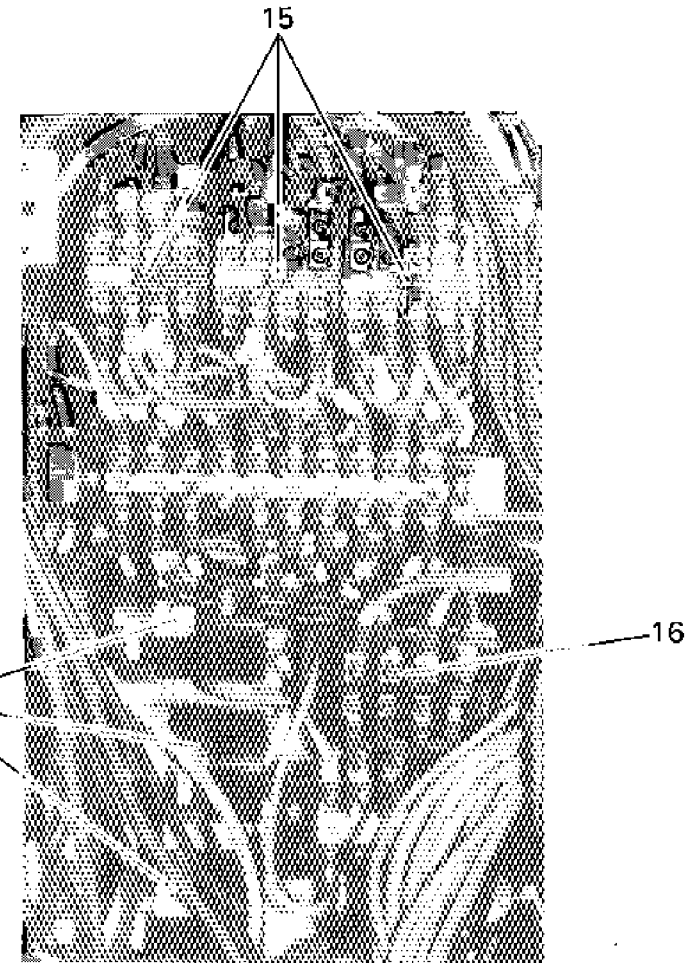
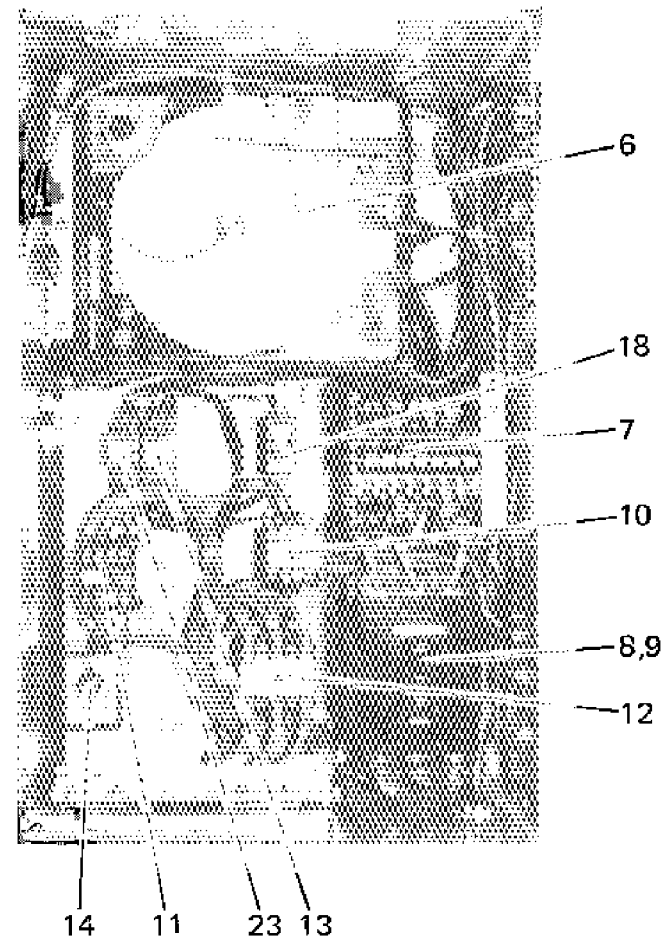
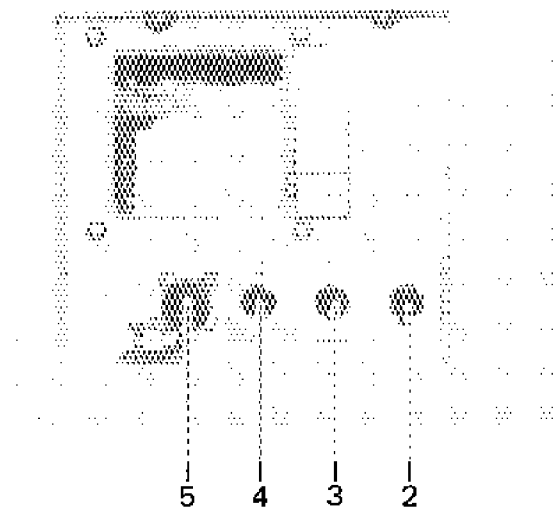
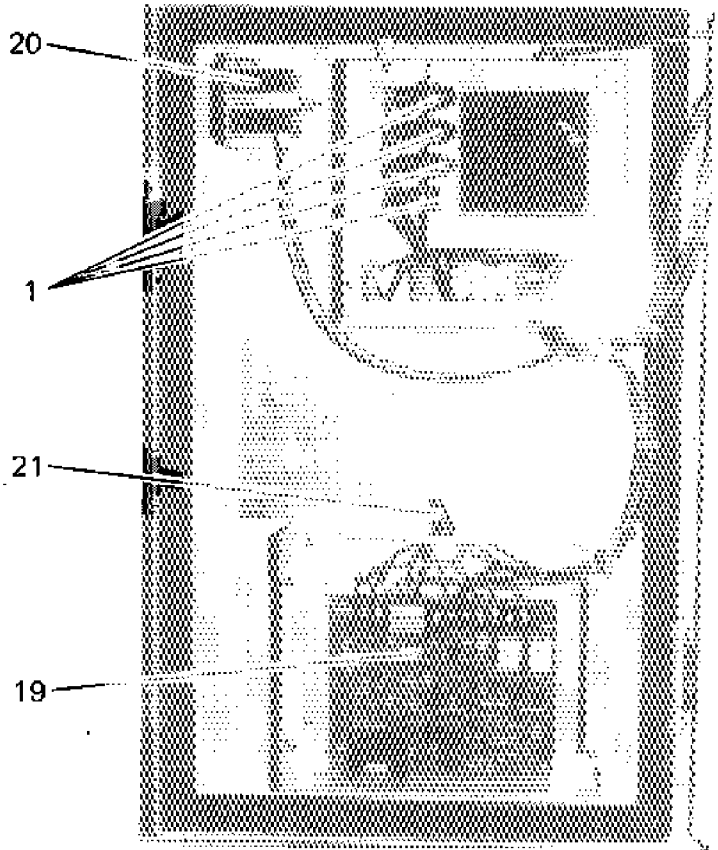
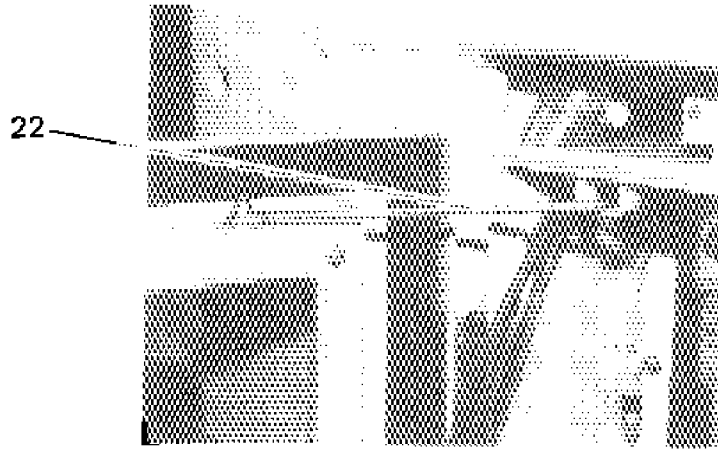
(2) Inside



- 1 Evaporator
- 2 Evaporator fan motor
- 3 Air pressure switch
- 4 Defrost termination thermostat
- 5 Firestat
- 6 Defrost heater
- 7 Drain pan heater
- 8 Electronic recording temperature controller feeler tube
- 9 Delivery safety thermostat feeler tube (sensor)

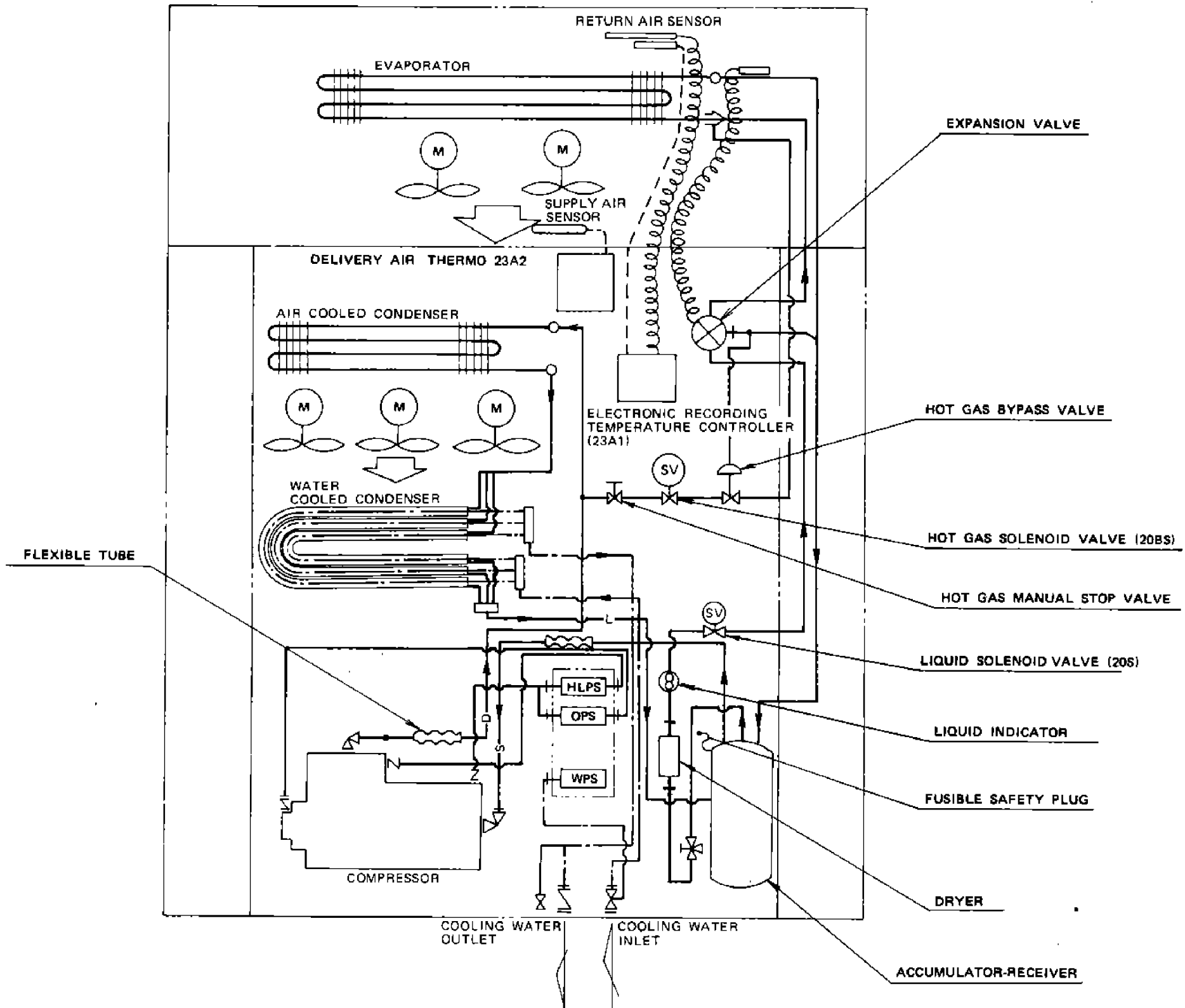


(3) Control box



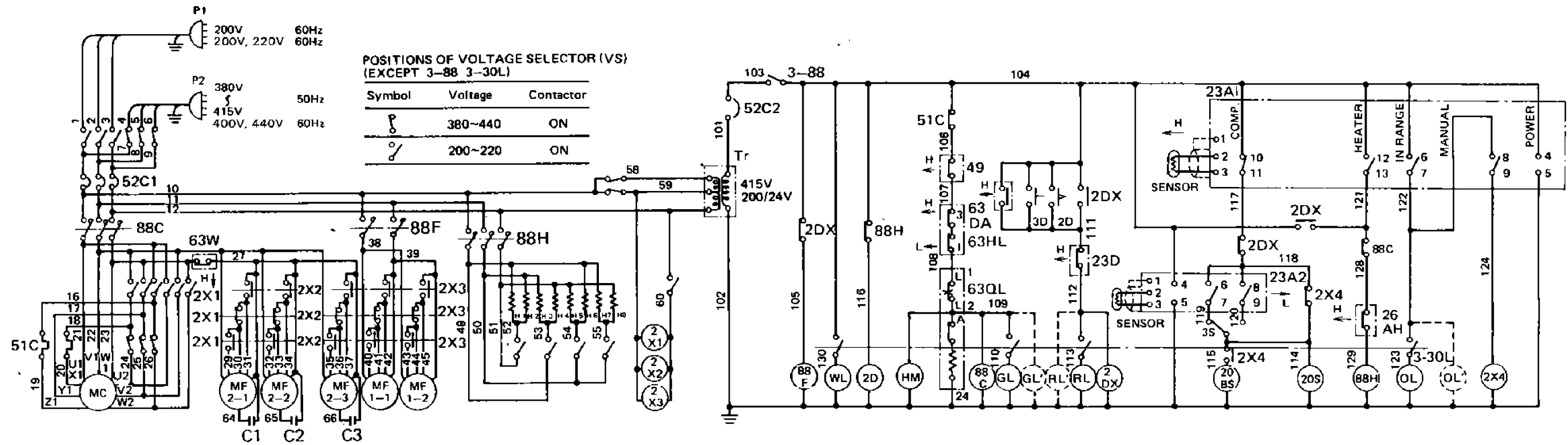
- 1 Pilot lamp (RL, GL, OL, WL)
  - 2 Unit ON-OFF switch (3-88)
  - 3 Manual defrost switch (3D)
  - 4 Lamp switch (3-30L)
  - 5 Cannon receptacle for pilot lamp
  - 6 Electronic recording temperature controller (23A1)
  - 7 Voltage selector
  - 8 Circuit breaker (main circuit) (52C1)
  - 9 Transformer (Tr)
  - 10 Evap.fan motor relay (88F)
  - 11 Heater relay (88H)
  - 12 Compressor relay (88C)
  - 13 Defrost relay (2DX)
  - 14 Defrost timer (2D)
  - 15 Voltage selector relay, (2X1, 2, 3)
  - 16 Over current relay (51C)
  - 17 Capacitor (C1, 2, 3)
  - 18 Circuit breaker (control circuit) (52C2)
  - 19 Delivery safety thermostat (23A2)
  - 20 Hour Meter
  - 21 Delivery safety thermostat switch (3S)
  - 22 Stopper
  - 23 Auxiliary relay (2X4)
- Be sure to use "Stopper" when operate or maintenance the compenents in the control box.

1.4 Piping diagram



- L — LIQUID PIPE
- S — SUCTION PIPE
- D — DISCHARGE PIPE
- + — FLARE CONN.
- || — FLANGE CONN.
- — — WATER PIPE
- · · · — ELECTRIC WIRING

- HLPS : DUAL PRESS. SWITCH
- OPS : OIL PRESS. PROTECTION SWITCH
- WPS : WATER PRESS. SWITCH



POSITIONS OF VOLTAGE SELECTOR (VS)  
(EXCEPT 3-88 3-30L)

Symbol	Voltage	Contactors
	380~440	ON
	200~220	ON

10

NOTES

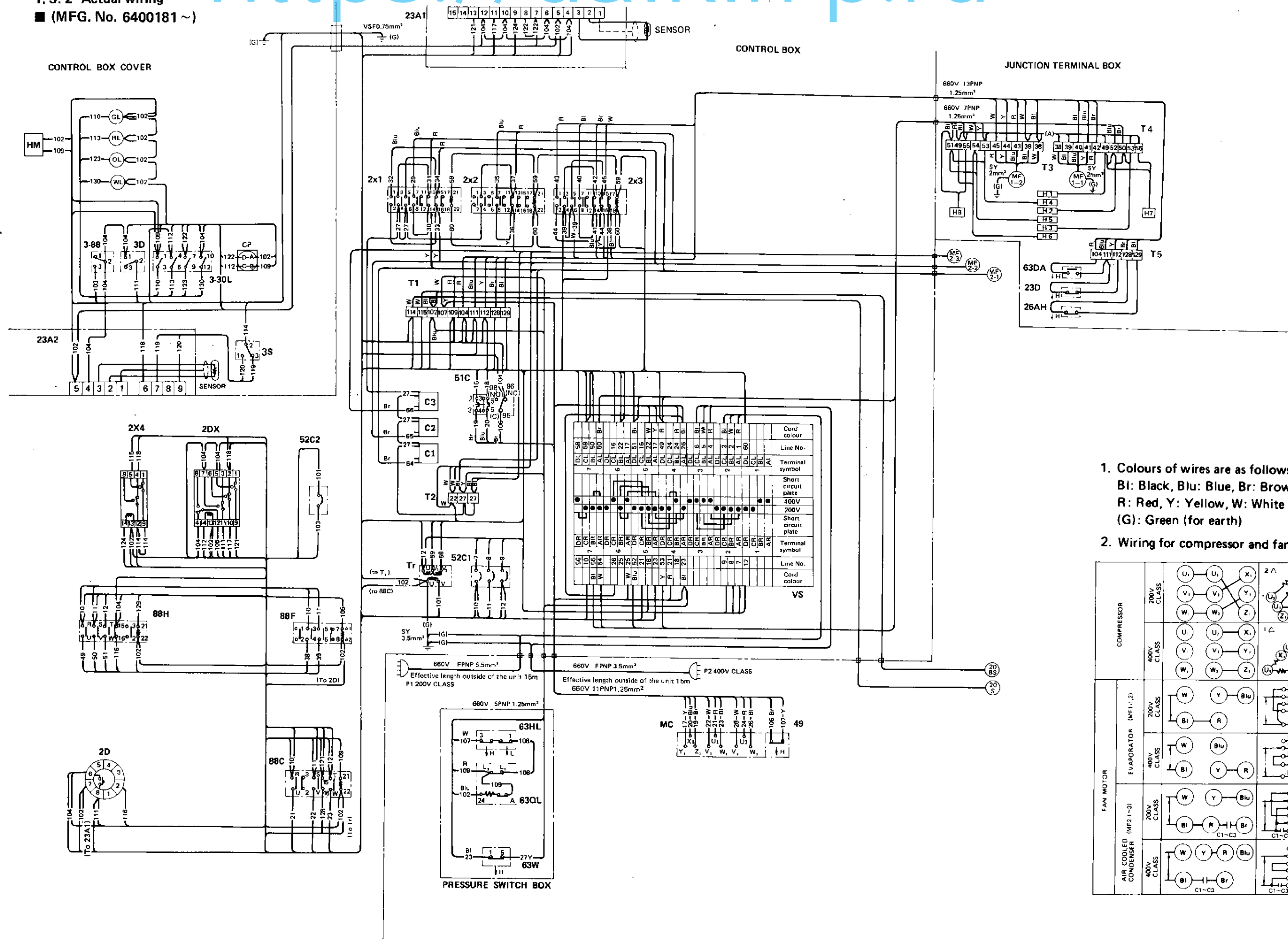
1. Monitoring plugconnected as follows.

- A : Earth
- B : Compressor
- C : Defrost
- D : In range temp.

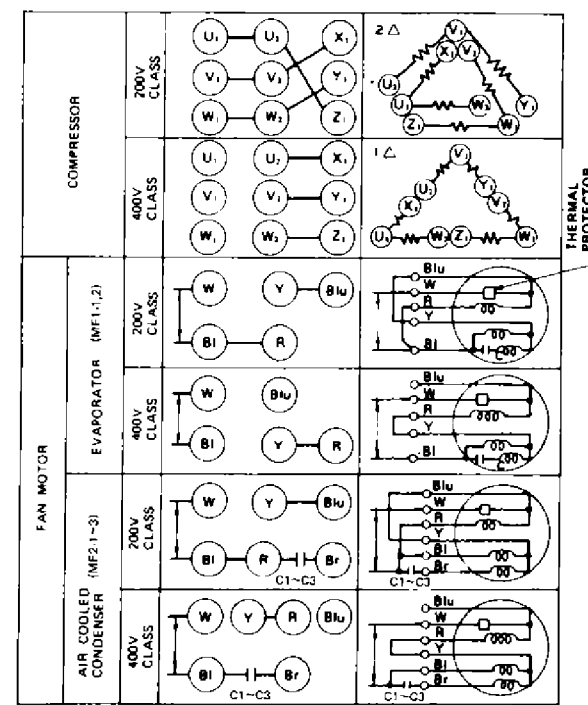
2. Broken line shows external wiring.

P	POWER PLUG	Tr	TRANSFORMER	2D	DEFROST TIMER
52C	CIRCUIT BREAKER	3-88	ON-OFF SWITCH	63DA	DEFROST INITIATION SWITCH
88C	COMPRESSOR CONTACTOR	3-30L	LAMP SWITCH	63HL	DUAL PRESSURE SWITCH
88F	EVAPORATOR FAN MOTOR CONTACTOR	3D	MANUAL DEFROST SWITCH	63QL	OIL PRESSURE PROTECTION SWITCH
88H	HEATER CONTACTOR	23D	DEFROST TERMINATION THERMOSTAT	63W	WATER PRESSURE SWITCH
2X	AUXILIARY RELAY	26AH	FIRESTAT	C	CAPACITOR
MC	COMPRESSOR MOTOR	23A1	ELECTRONIC RECORDING TEMPERATURE CONTROLLER	23A2	DELIVERY SAFETY THERMOSTAT
MF1	EVAPORATOR FAN MOTOR	GL, RL, OL, WL	LAMP	HM	HOUR METER
MF2	CONDENSER FAN MOTOR	51C	OVER CURRENT RELAY	3S	DELIVERY SAFETY THERMOSTAT SWITCH
H1~H6	EVAPORATOR COIL HEATER	49	COMPRESSOR PROTECTOR		
H7,8	DRAIN PAN HEATER	20S	SOLENOID VALVE		
20BS	HOT GAS SOLENOID VALVE	2DX	DEFROST RELAY		

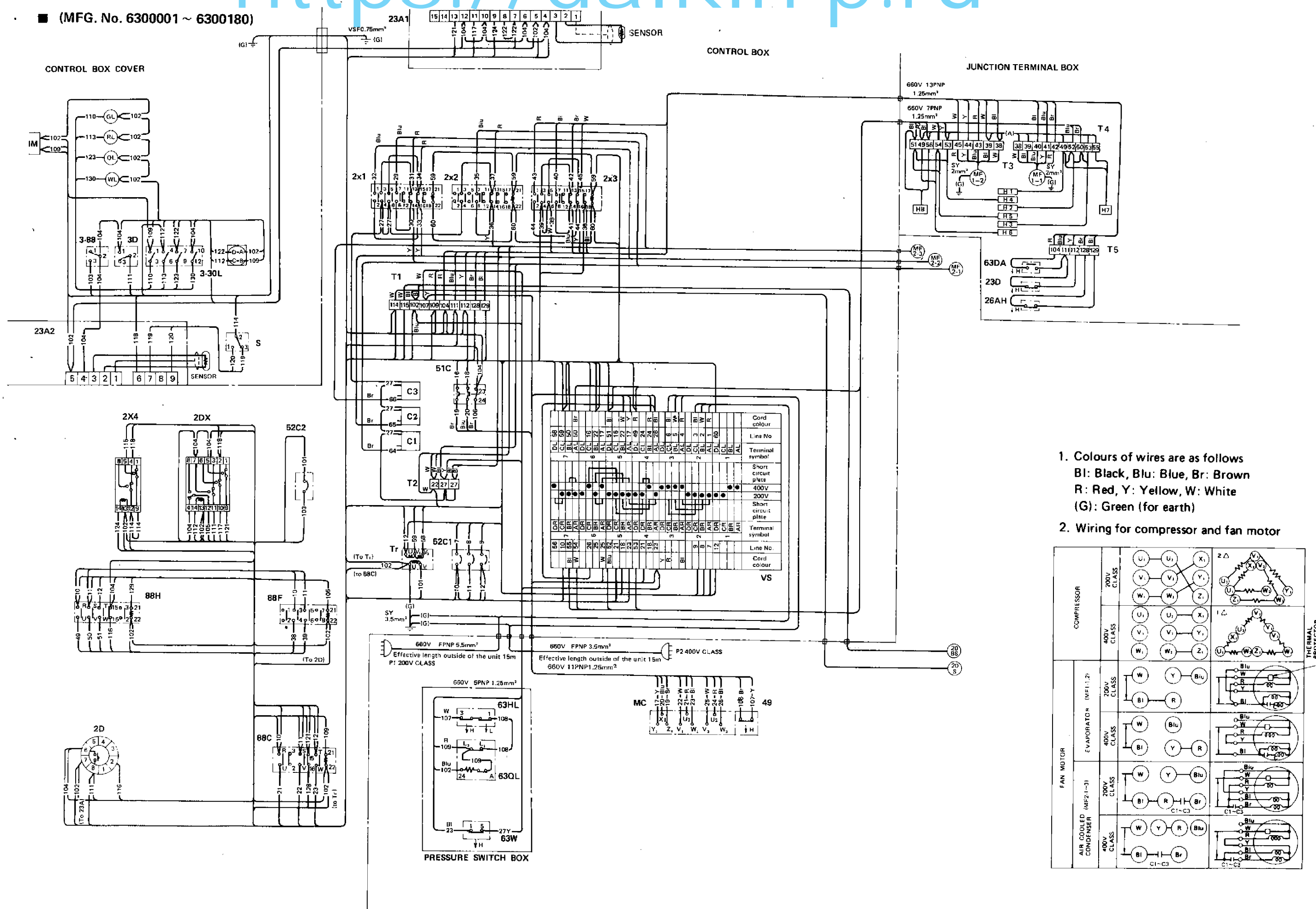
1.5.2 Actual wiring  
 ■ (MFG. No. 6400181 ~)



- Colours of wires are as follows  
 Bl: Black, Blu: Blue, Br: Brown  
 R: Red, Y: Yellow, W: White  
 (G): Green (for earth)
- Wiring for compressor and fan motor



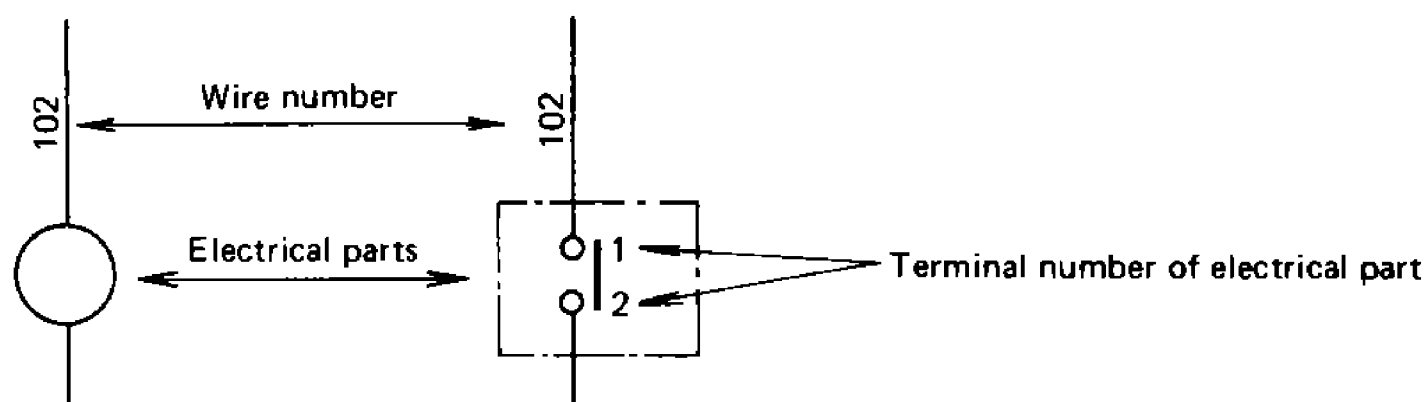
■ (MFG. No. 630001 ~ 6300180)



Line No	Terminal symbol	Short circuit plate	Terminal symbol	Line No	Cord colour
DL 59	DL			10	Blu
DL 60	DL			11	Blu
DL 61	DL			12	Blu
DL 62	DL			13	Blu
DL 63	DL			14	Blu
DL 64	DL			15	Blu
DL 65	DL			16	Blu
DL 66	DL			17	Blu
DL 67	DL			18	Blu
DL 68	DL			19	Blu
DL 69	DL			20	Blu
DL 70	DL			21	Blu
DL 71	DL			22	Blu
DL 72	DL			23	Blu
DL 73	DL			24	Blu
DL 74	DL			25	Blu
DL 75	DL			26	Blu
DL 76	DL			27	Blu
DL 77	DL			28	Blu
DL 78	DL			29	Blu
DL 79	DL			30	Blu
DL 80	DL			31	Blu
DL 81	DL			32	Blu
DL 82	DL			33	Blu
DL 83	DL			34	Blu
DL 84	DL			35	Blu
DL 85	DL			36	Blu
DL 86	DL			37	Blu
DL 87	DL			38	Blu
DL 88	DL			39	Blu
DL 89	DL			40	Blu
DL 90	DL			41	Blu
DL 91	DL			42	Blu
DL 92	DL			43	Blu
DL 93	DL			44	Blu
DL 94	DL			45	Blu
DL 95	DL			46	Blu
DL 96	DL			47	Blu
DL 97	DL			48	Blu
DL 98	DL			49	Blu
DL 99	DL			50	Blu
DL 100	DL			51	Blu
DL 101	DL			52	Blu
DL 102	DL			53	Blu
DL 103	DL			54	Blu
DL 104	DL			55	Blu
DL 105	DL			56	Blu
DL 106	DL			57	Blu
DL 107	DL			58	Blu
DL 108	DL			59	Blu
DL 109	DL			60	Blu
DL 110	DL			61	Blu
DL 111	DL			62	Blu
DL 112	DL			63	Blu
DL 113	DL			64	Blu
DL 114	DL			65	Blu
DL 115	DL			66	Blu
DL 116	DL			67	Blu
DL 117	DL			68	Blu
DL 118	DL			69	Blu
DL 119	DL			70	Blu
DL 120	DL			71	Blu
DL 121	DL			72	Blu
DL 122	DL			73	Blu
DL 123	DL			74	Blu
DL 124	DL			75	Blu
DL 125	DL			76	Blu
DL 126	DL			77	Blu
DL 127	DL			78	Blu
DL 128	DL			79	Blu
DL 129	DL			80	Blu
DL 130	DL			81	Blu
DL 131	DL			82	Blu
DL 132	DL			83	Blu
DL 133	DL			84	Blu
DL 134	DL			85	Blu
DL 135	DL			86	Blu
DL 136	DL			87	Blu
DL 137	DL			88	Blu
DL 138	DL			89	Blu
DL 139	DL			90	Blu
DL 140	DL			91	Blu
DL 141	DL			92	Blu
DL 142	DL			93	Blu
DL 143	DL			94	Blu
DL 144	DL			95	Blu
DL 145	DL			96	Blu
DL 146	DL			97	Blu
DL 147	DL			98	Blu
DL 148	DL			99	Blu
DL 149	DL			100	Blu
DL 150	DL			101	Blu
DL 151	DL			102	Blu
DL 152	DL			103	Blu
DL 153	DL			104	Blu
DL 154	DL			105	Blu
DL 155	DL			106	Blu
DL 156	DL			107	Blu
DL 157	DL			108	Blu
DL 158	DL			109	Blu
DL 159	DL			110	Blu
DL 160	DL			111	Blu
DL 161	DL			112	Blu
DL 162	DL			113	Blu
DL 163	DL			114	Blu
DL 164	DL			115	Blu
DL 165	DL			116	Blu
DL 166	DL			117	Blu
DL 167	DL			118	Blu
DL 168	DL			119	Blu
DL 169	DL			120	Blu
DL 170	DL			121	Blu
DL 171	DL			122	Blu
DL 172	DL			123	Blu
DL 173	DL			124	Blu
DL 174	DL			125	Blu
DL 175	DL			126	Blu
DL 176	DL			127	Blu
DL 177	DL			128	Blu
DL 178	DL			129	Blu
DL 179	DL			130	Blu
DL 180	DL			131	Blu
DL 181	DL			132	Blu
DL 182	DL			133	Blu
DL 183	DL			134	Blu
DL 184	DL			135	Blu
DL 185	DL			136	Blu
DL 186	DL			137	Blu
DL 187	DL			138	Blu
DL 188	DL			139	Blu
DL 189	DL			140	Blu
DL 190	DL			141	Blu
DL 191	DL			142	Blu
DL 192	DL			143	Blu
DL 193	DL			144	Blu
DL 194	DL			145	Blu
DL 195	DL			146	Blu
DL 196	DL			147	Blu
DL 197	DL			148	Blu
DL 198	DL			149	Blu
DL 199	DL			150	Blu
DL 200	DL			151	Blu
DL 201	DL			152	Blu
DL 202	DL			153	Blu
DL 203	DL			154	Blu
DL 204	DL			155	Blu
DL 205	DL			156	Blu
DL 206	DL			157	Blu
DL 207	DL			158	Blu
DL 208	DL			159	Blu
DL 209	DL			160	Blu
DL 210	DL			161	Blu
DL 211	DL			162	Blu
DL 212	DL			163	Blu
DL 213	DL			164	Blu
DL 214	DL			165	Blu
DL 215	DL			166	Blu
DL 216	DL			167	Blu
DL 217	DL			168	Blu
DL 218	DL			169	Blu
DL 219	DL			170	Blu
DL 220	DL			171	Blu
DL 221	DL			172	Blu
DL 222	DL			173	Blu
DL 223	DL			174	Blu
DL 224	DL			175	Blu
DL 225	DL			176	Blu
DL 226	DL			177	Blu
DL 227	DL			178	Blu
DL 228	DL			179	Blu
DL 229	DL			180	Blu
DL 230	DL			181	Blu
DL 231	DL			182	Blu
DL 232	DL			183	Blu
DL 233	DL			184	Blu
DL 234	DL			185	Blu
DL 235	DL			186	Blu
DL 236	DL			187	Blu
DL 237	DL			188	Blu
DL 238	DL			189	Blu
DL 239	DL			190	Blu
DL 240	DL			191	Blu
DL 241	DL			192	Blu
DL 242	DL			193	Blu
DL 243	DL			194	Blu
DL 244	DL			195	Blu
DL 245	DL			196	Blu
DL 246	DL			197	Blu
DL 247	DL			198	Blu
DL 248	DL			199	Blu
DL 249	DL			200	Blu
DL 250	DL			201	Blu
DL 251	DL			202	Blu
DL 252	DL			203	Blu
DL 253	DL			204	Blu
DL 254	DL			205	Blu
DL 255	DL			206	Blu
DL 256	DL			207	Blu
DL 257	DL			208	Blu
DL 258	DL			209	Blu
DL 259	DL			210	Blu
DL 260	DL			211	Blu
DL 261	DL			212	Blu
DL 262	DL			213	Blu
DL 263	DL			214	Blu
DL 264	DL			215	Blu
DL 265	DL			216	Blu
DL 266	DL			217	Blu
DL 267	DL			218	Blu
DL 268	DL			219	Blu
DL 269	DL			220	Blu
DL 270	DL			221	Blu
DL 271	DL			222	Blu
DL 272	DL			223	Blu
DL 273	DL			224	Blu
DL 274	DL			225	Blu
DL 275	DL			226	Blu
DL 276	DL			227	Blu
DL 277	DL			228	Blu
DL 278	DL			229	Blu
DL 279	DL			230	Blu
DL 280	DL			231	Blu
DL 281	DL			232	Blu
DL 282	DL			233	Blu
DL 283	DL			234	Blu
DL 284	DL			235	Blu
DL 285	DL			236	Blu
DL 286	DL			237	Blu
DL 287	DL			238	Blu
DL 288	DL			239	Blu
DL 289	DL			240	Blu
DL 290	DL			241	Blu
DL 291	DL			242	Blu
DL 292	DL			243	Blu
DL 293	DL			244	Blu
DL 294	DL			245	Blu
DL 295	DL			246	Blu
DL 296	DL			247	Blu
DL 297	DL			248	Blu
DL 298	DL			249	Blu
DL 299	DL			250	Blu
DL 300	DL			251	Blu
DL 301	DL			252	Blu
DL 302	DL			253	Blu
DL 303	DL			254	Blu
DL 304	DL			255	Blu
DL 305	DL			256	Blu
DL 306	DL			257	Blu
DL 307	DL			258	Blu
DL 308	DL			259	Blu
DL 309	DL			260	Blu
DL 310	DL			261	Blu
DL 311	DL			262	Blu
DL 312	DL			263	Blu
DL 313	DL			264	Blu
DL 314	DL			265	Blu
DL 315	DL			266	Blu
DL 316	DL			267	Blu
DL 317	DL			268	Blu
DL 318	DL			269	Blu
DL 319	DL			270	Blu
DL 320	DL			271	Blu
DL 321	DL			272	Blu
DL 322	DL			273	Blu
DL 323	DL			274	Blu
DL 324	DL			275	Blu
DL 325	DL			276	Blu
DL 326	DL			277	Blu
DL 327	DL			278	Blu
DL 328	DL			279	Blu
DL 329	DL			280	Blu
DL 330	DL			281	Blu
DL 331	DL			282	Blu
DL 332	DL			283	Blu
DL 333	DL			284	Blu
DL 334	DL			285	Blu
DL 335	DL			286	Blu
DL 336	DL			287	

## 1.5.3 How to read wiring diagram

(1) In the wiring diagram, marks and numbers have the meanings given below.



(2) Operation of contacts

- The wiring diagram indicates the stationary state in which the circuits are not activated.
- When a coil is energized (supplied with power), the associated contact changes its position.

a-contact (normal contact)		b-contact (reverse contact)	
Contact is OFF when coil is not energized	Contact is ON when coil is energized	Contact is ON when coil is not energized	Contact is OFF when coil is energized

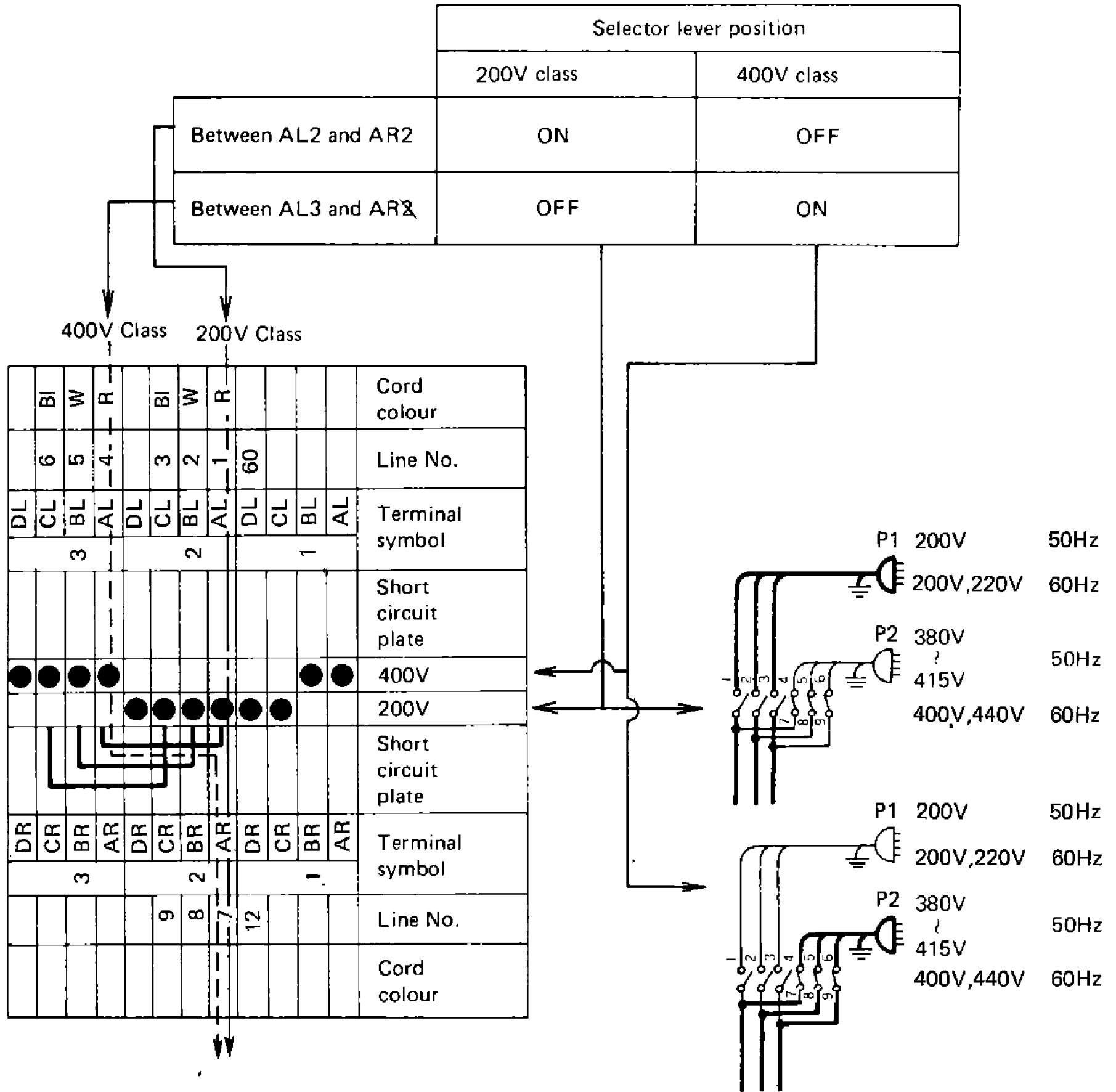
c. Kinds of contacts

	a-contact	Operated by electromagnetic force, temperature, or pressure. ("x" denotes the reset button.)
	b-contact	
	Time-limit a-contact	Operates when the timer counting has completed.
	Manual contact	Contact of a snap switch. This turns on as long as the switch is kept pressed and turns off immediately when released.
	Manual contact	Contact of a snap switch. This turns on and holds the on state once the switch is turned on.
	Voltage selector contact (except 3-88, 3-30L)	This turns on when the selector is set to 200V class
		This turns on when the selector is set to 400V class

d. How to read the wiring diagram of the voltage selector.

In the chart, "●" denotes that the contact is on.

The following example shows the states between terminals AL2 and AR2, and between AL3 and AR2.





## 2. Operation

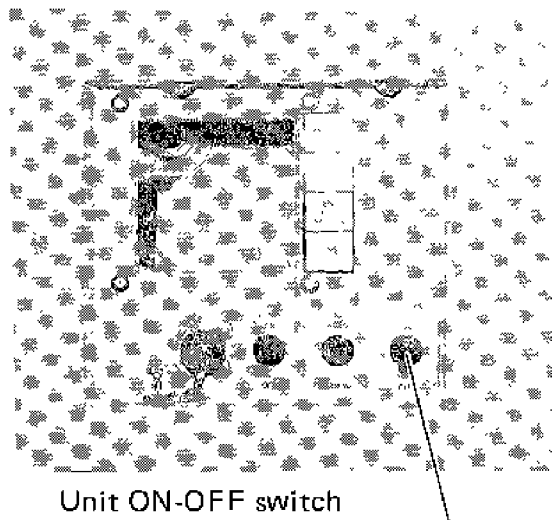
Operate the unit by using the procedures given below.

- Preparation and operation
- Checking during operation
- Maintenance after operation

### 2.1 Preparation and operation

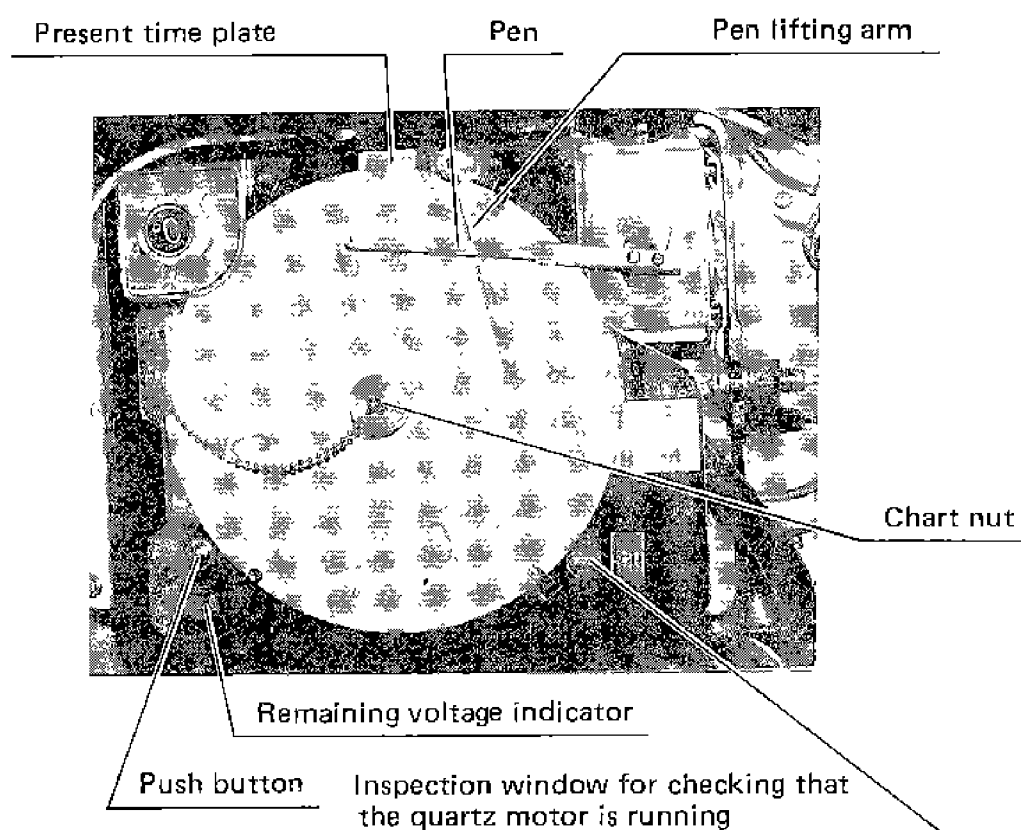
(1) Confirm that power supply is off.

Confirm that the power source, the circuit breaker and unit ON-OFF switch are turned off before checking for safety's sake.



(2) Ensuring the function of drive for the recording chart

- Ensuring life of a dry element battery  
Press the switch and ensure that the needle of the remaining voltage indicator remains in the blue zone. (The meter functions only when the switch is pressed)
- Confirming the function of quartz motor  
After confirming the life of dry element battery, check from the access window the fly wheel inside is rotating. that the flywheel is rotating in the inspection window.

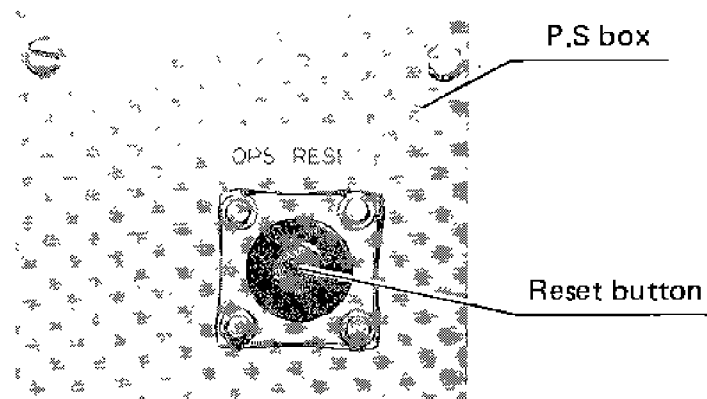


(3) Setting a sheet of recording paper

- Raise the pen by the pen holder, loosen the chart nut, and place a new recording paper.
- Set the date on the paper to a graduation of present time and day on the graduations.
- Firmly tighten up the chart nut and release the pen so that recording can be accomplished.

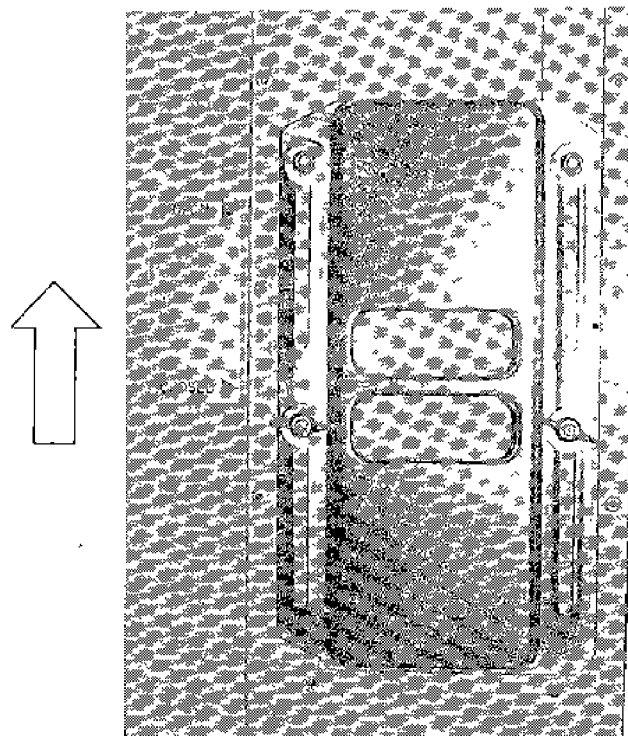
(4) Reset the oil pressure protection switch.

Reset by pressing the button on the front panel of the PS (Pressure switch) box. The unit does not start unless the switch is reset.

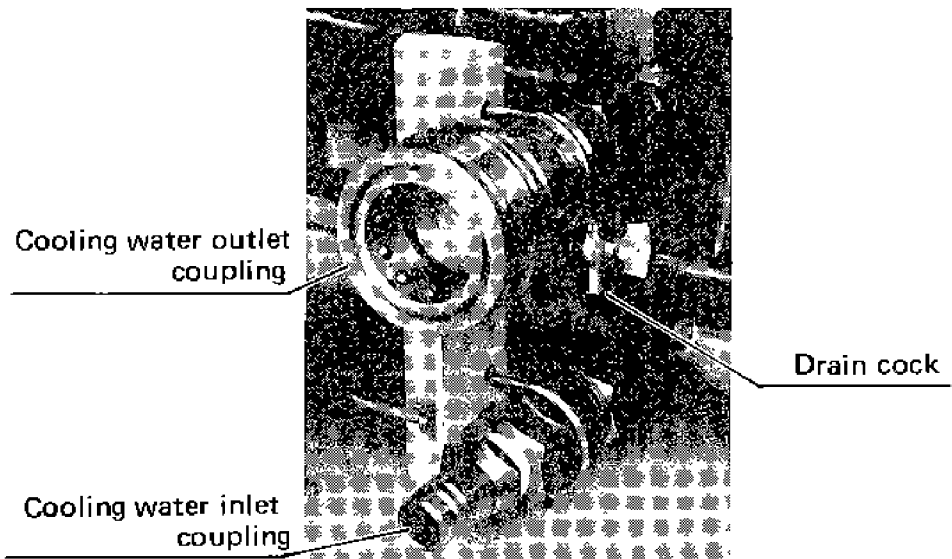


(5) Open or close air refreshing ventilator.

Open or close the ventilator depending upon to the cargo. (Be sure to keep it closed during transportation of frozen cargo.)



- (6) Connect the cooling water piping.  
● In the case of water-cooled operation, connect the water piping, and supply water through it.



● Connecting method

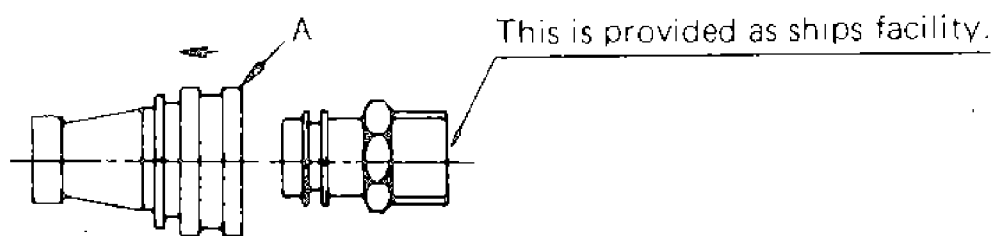
1. Close the drain cock.
2. Connect the cooling water inlet coupling.
3. Connect the cooling water outlet coupling.
4. Open the drain cock and purge the air.
5. After having completed air purge, close the cock.

● Disconnecting method

1. Disconnect the cooling water outlet coupling.
2. Disconnect the cooling water inlet coupling.
3. Open the cock and drain off.

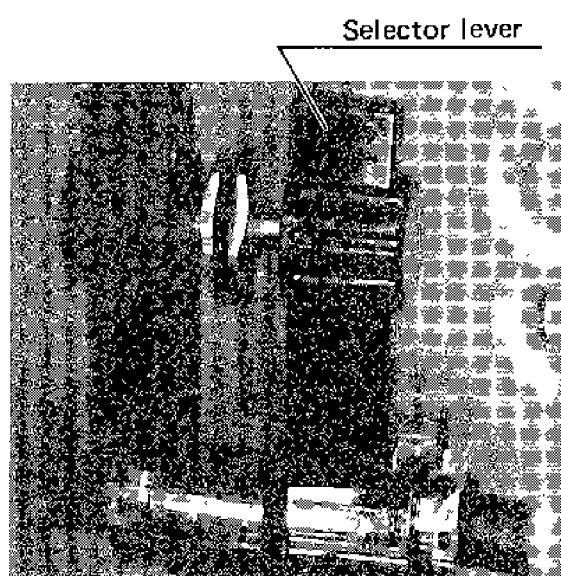
When the cooling water couplings are connected, insert the coupling on the ship side into the coupling on the unit side until a "click" is heard.

When disconnecting them, pull the coupling on the ship side toward you while pushing the A part of the female coupling in the direction pointed by an arrow mark.

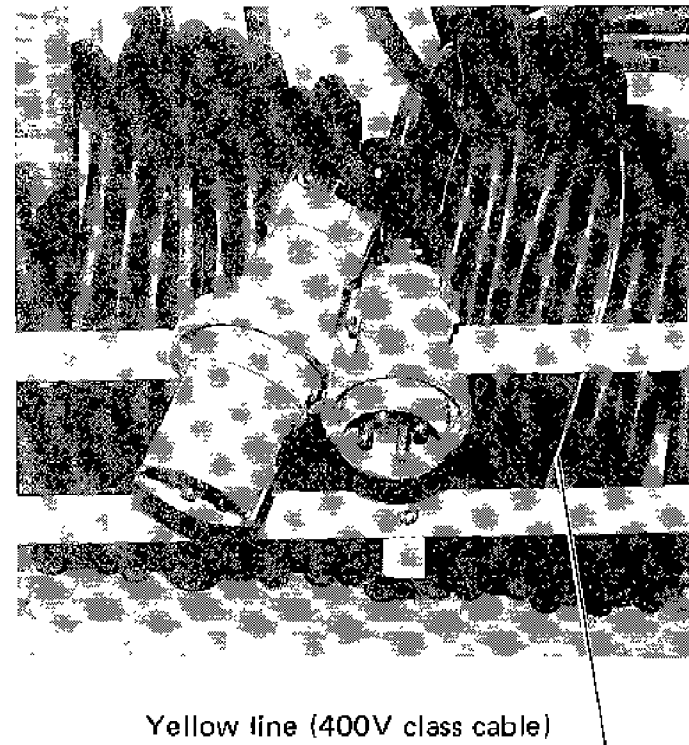


Water connection at outlet side

- (7) Check that all refrigerant stop valves are opened.  
(8) Set the voltage selector according to the supply voltage.



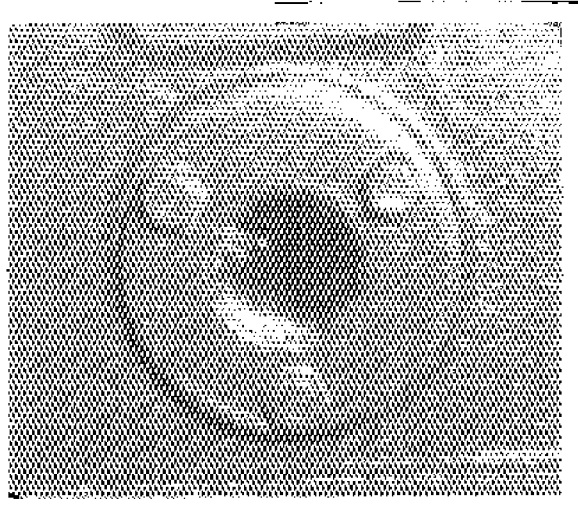
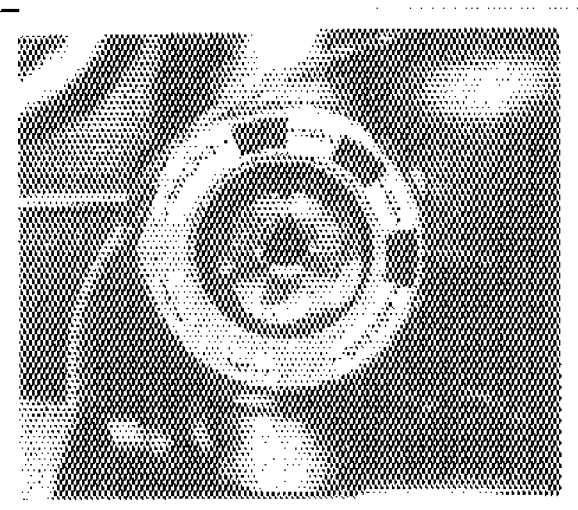
- (9) Plug in the power source which supplies the proper voltage, and fasten the plug firmly.



- (10) Turn on the power switch of the facility (outside the unit).  
(11) Turn ON the circuit breaker and unit ON-OFF switch.  
(12) Close the cover of the control box.  
If it is loose, water will leak. Check around the packing and tighten the cover securely.

**Note:** If the unit stops 2 ~ 3 minutes after starting, the oil pressure protection switch in many cases has been activated.  
If this happens, depress the reset button a few minutes after the unit stops. If it stops again, repeat the same action, until the compressor oil switch is restored.

## 2.2 Checking during operation

Checking items (precautions)	Method of check	
1. Check if unusual noise and vibration is not produced from compressor, fan and piping etc.	Visual, touch and listen.	
2. Check to ensure oil pressure protection switch functions, and the unit does not stop.		
3. Check suction and discharge pressures of the compressor. (For installation of a gauge, refer to "Service".)	Compare observed data with standard ones.	
4. Check for proper oil level of compressor. Check to see the oil is clean. (Oil level may fall for a while after starting, but it rises gradually.)		Visual Oil level should be approx. 1/4 to 3/4 of its full scale.
5. Check to see if refrigerant is sufficient. (The refrigerant bubbles immediately after starting, but this does not mean that refrigerant is lacking.)		Shortage of refrigerant is indicated by bubbles in the moisture indicator. When in the frozen mode only.
6. Check if any moisture is present in refrigerant circuit. (The color of moisture indicator may turn to orange if it has been exposed to gaseous refrigerant for a long time, but this is no indication of trouble.)	Visual The moisture indicator should normally appear deep blue. Orange color is a sign of trouble.	
7. Check operating conditions with the pilot lamps and check instrument.	Visual	
8. Check if the recorder operates according to the inside temperature.	Visual	

## 2.3 Maintenance after operation

### (1) Stopping

To stop the unit, perform defrosting operation with the manual defrost switch and immediately turn off the unit ON-OFF switch after the compressor has stopped, (stop the unit with "pump-down" state.) After pump down, turn off the circuit breaker.

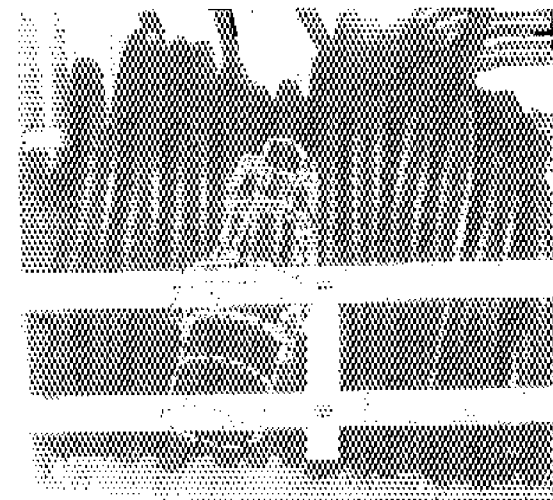
### (2) Stowing the power cable

Turn the plug's opening downward so that sea and rain water cannot enter the plug when stowing it.

### (3) After water-cooled operation

Remove the water piping, open cocks, and drain off.

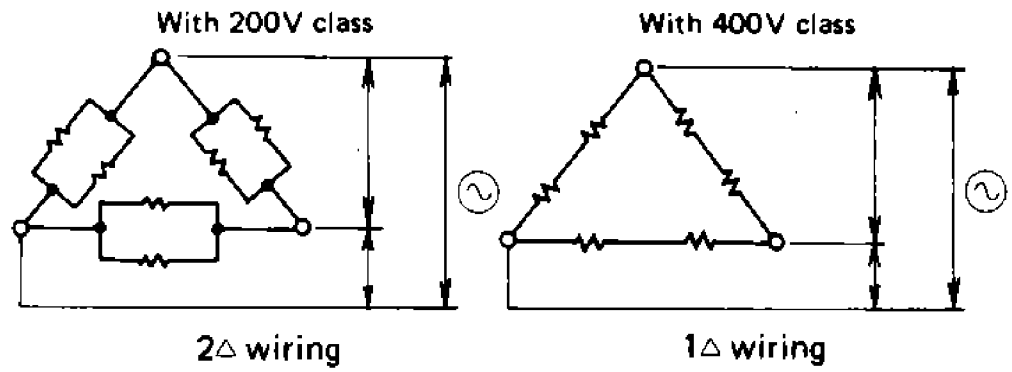
### (4) Close the cover of the control box tightly.



### 3. Operating modes and circuits

#### 3.1 Voltage selection system (switching over 200V and 400V class)

(1) This unit is adaptable to either of two supply voltages (dual rated voltage). Set the voltage selector (multi-contact cam switch) according to the supply voltage by hand. The switch changes wiring of the motors, electric heater, and the transformer of the control circuits to supply the relevant voltage. For example, the internal wiring of the compressor is changed as follows.

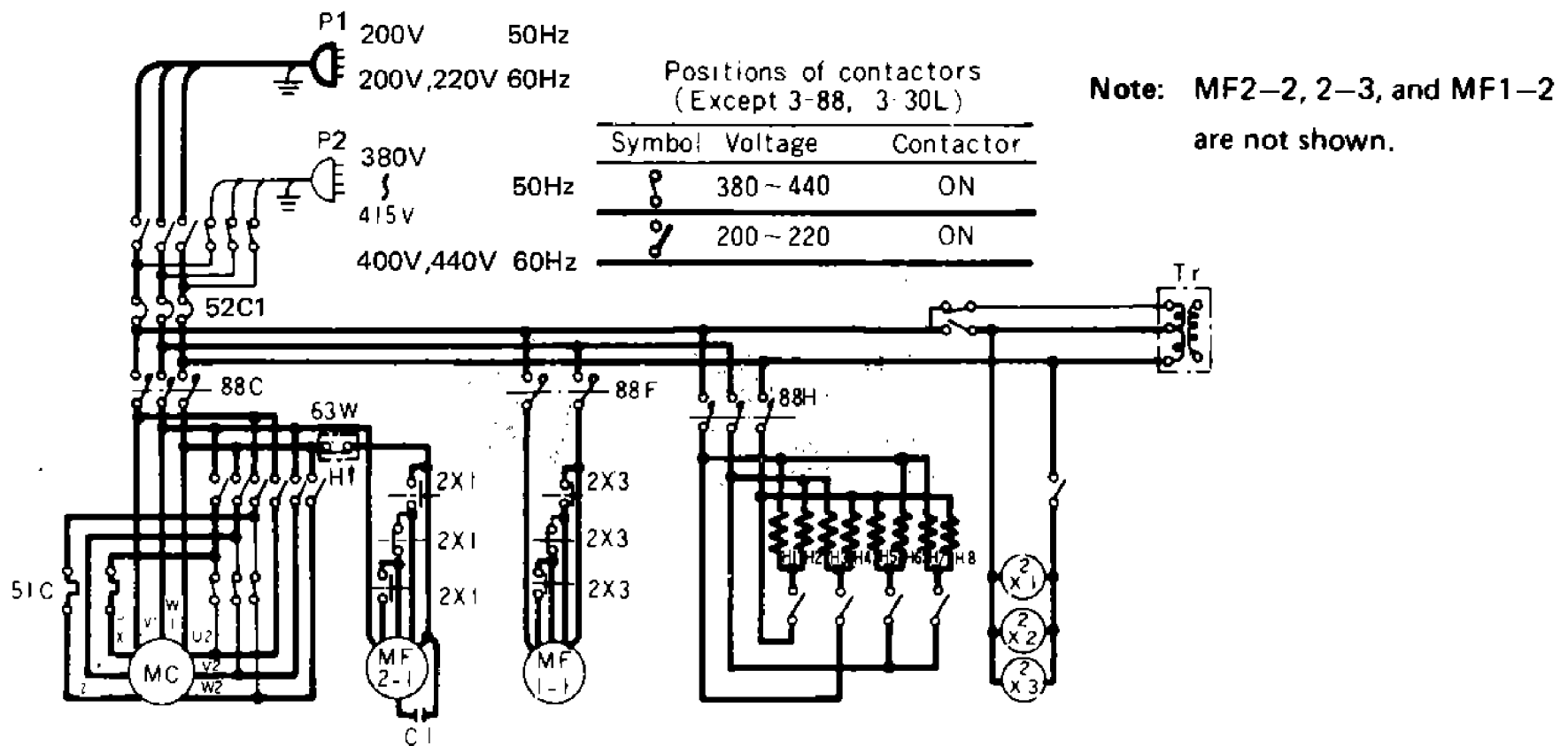


(2) Circuitry

• With 200V class (Set the selector lever to "200V CLASS".)

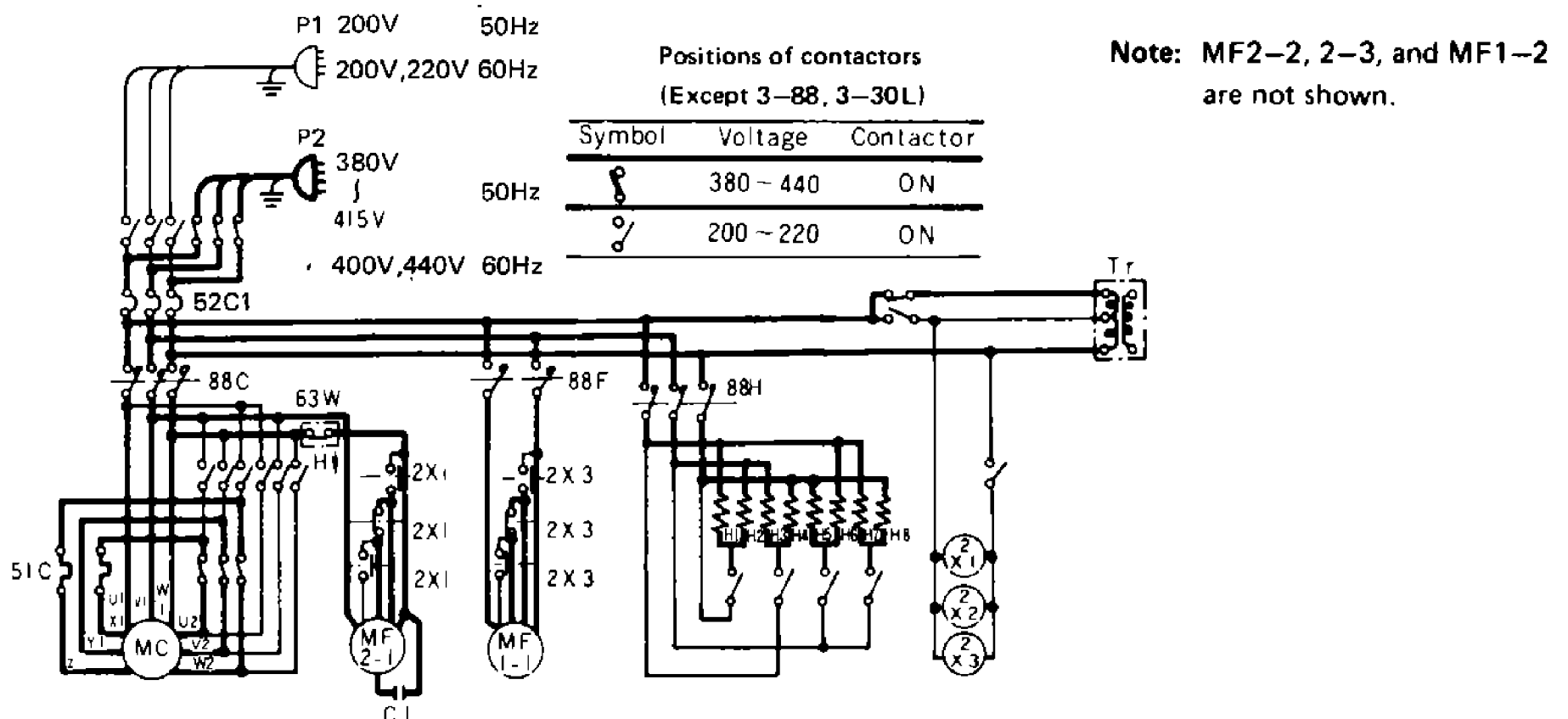
The contacts marked "⏏" in the sequence chart (except 3-88 and 3-30L) are turned on.

The circuits for 200V class will be set up with the contacts and the voltage selector relay (2X1.2.3) are energized.



• With 400V class (Set the selector lever to "400V CLASS".)

The contacts marked "⏏" in the sequence diagram are turned on and the circuits for 400V class will be set up (2X1.2.3 are off).



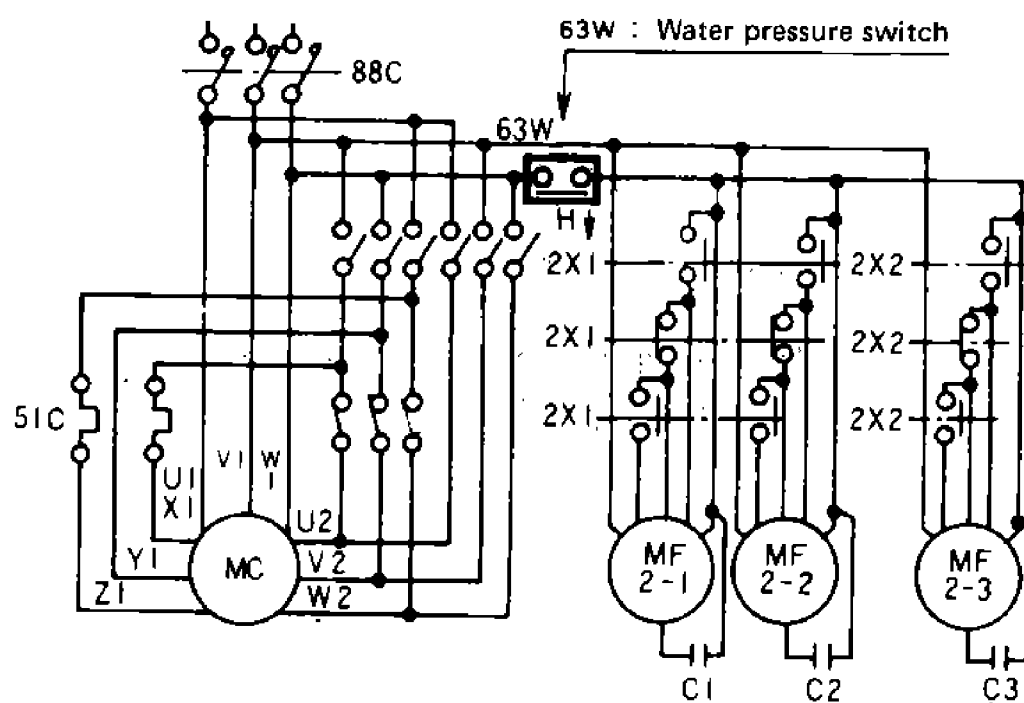
### 3.2 Air cooled and water cooled operation

The unit is possible to operate on either operations of air cooled or water cooled.

During the transit on the land, in the yard or on the deck, the air cooled operation is normal, and the operation in ship holds is normally water cooled.

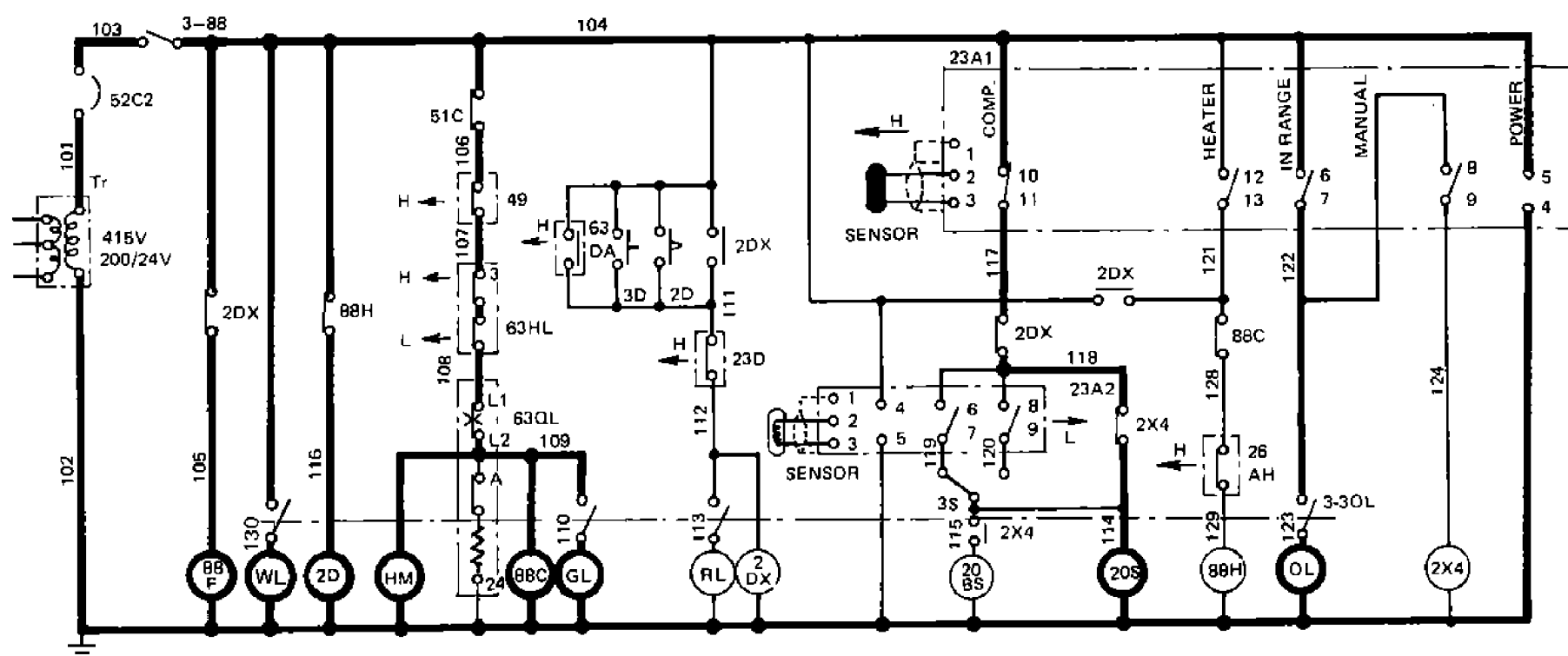
The operation can be changed from air cooled to water cooled and vice versa automatically by the water pressure switch; i.e. when water pressure at the inlet of the water cooled condenser rises higher than the presetting value, the contact points of the water pressure switch are cut out, so the condenser fan motors stop, and the water cooled operation starts.

On the contrary, when water supply is suspended during the water cooled operation, the contact points of the water pressure switch come in contact and the condenser fan motors rotate. Thus, the air cooled operation starts.



This diagram indicates air-cooled operation mode. When water pressure is applied to the switch, the switch mechanism moves in the direction of H ↓, so the condenser fan motors (MF2-1, 2, 3) stop, and water-cooled operation starts.

### 3.3 Frozen operation



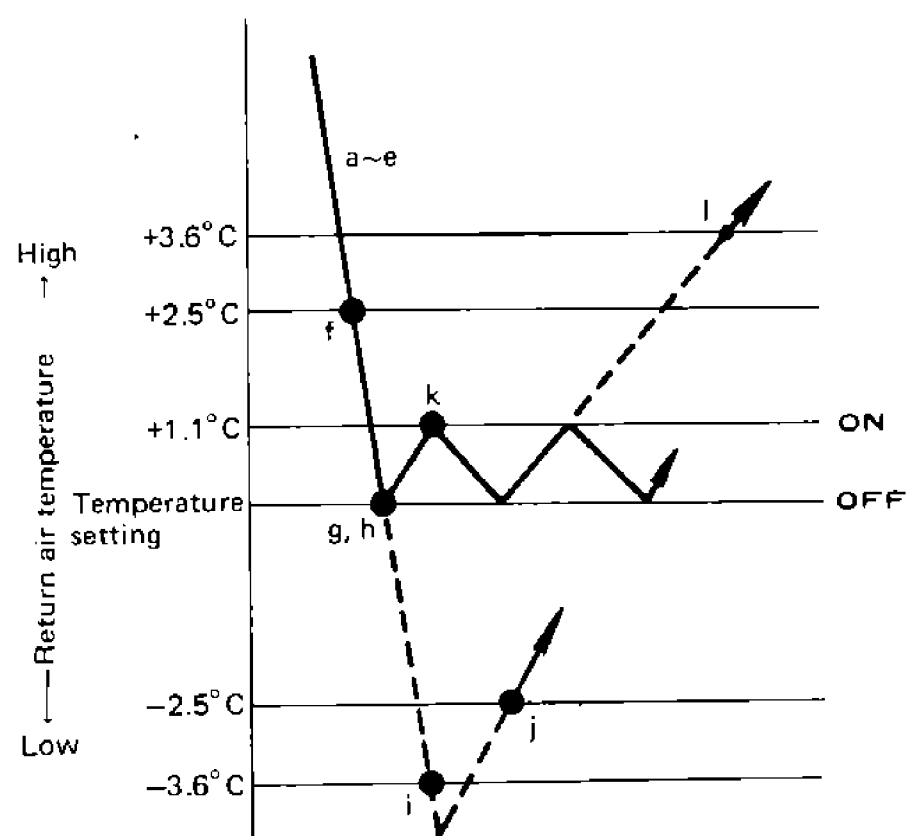
(1) Change-over from chilled to frozen operation or vice versa change-over from frozen to chilled operation can be automatically accomplished in accordance with setting of the electronic recording temperature controller (23A1)

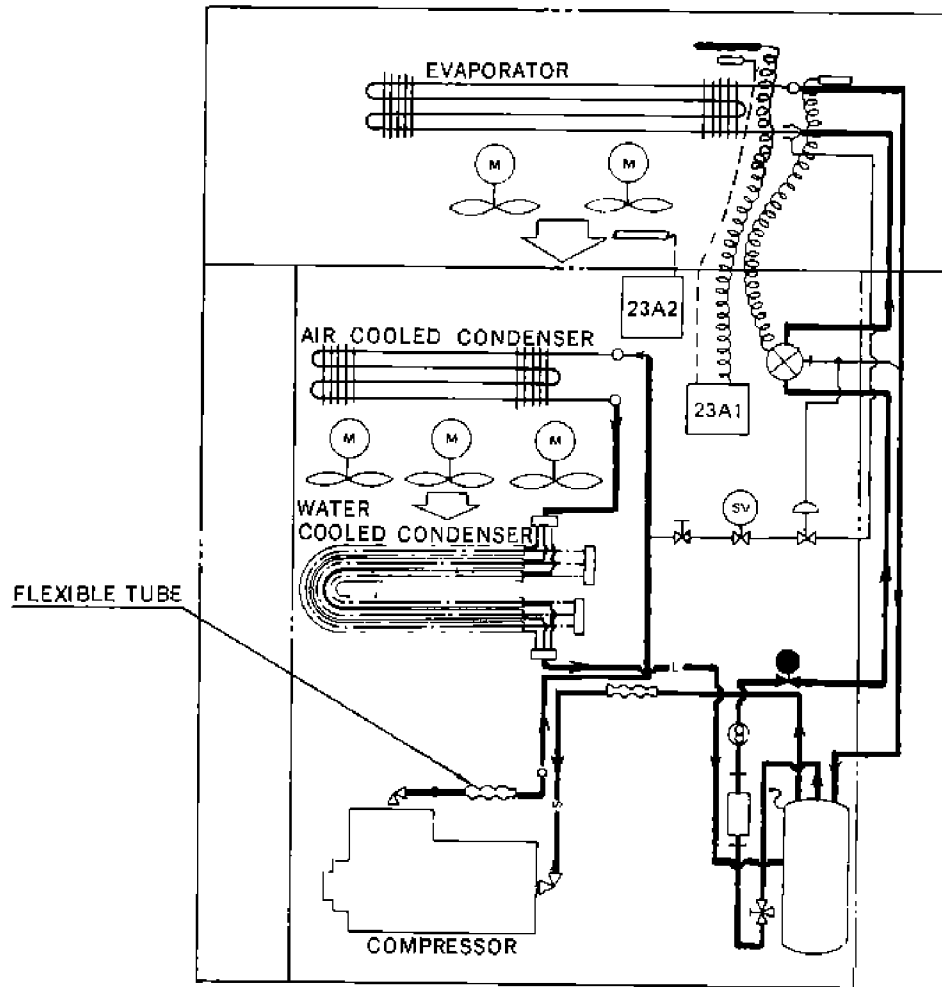
- When thermostat setting is over  $-4.5^{\circ}\text{C}$  . . . Chilled operation.
- When thermostat setting is under  $-6.5^{\circ}\text{C}$  . . . Frozen operation

In case of frozen operation the manual relay of 23A1 is turned off. Namely, capacity control is not accomplished.

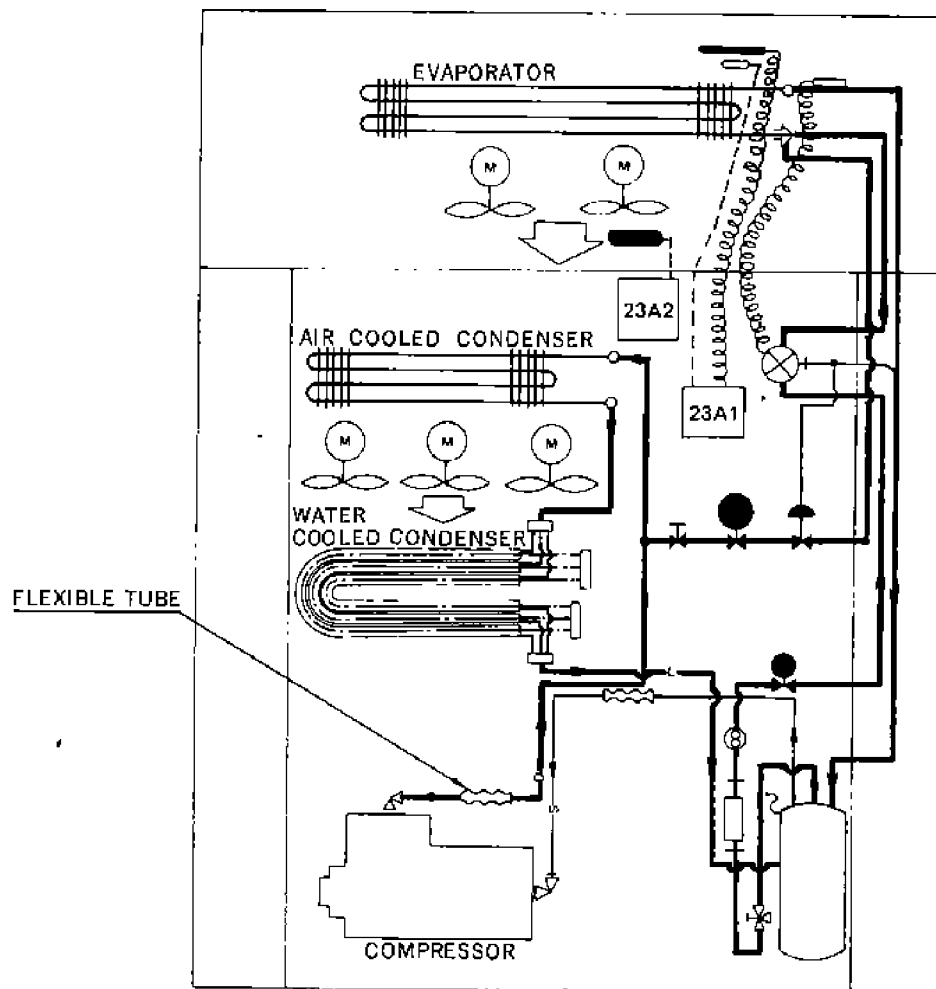
- (2) During frozen mode, the compressor will be automatically turned on and off, sensing return air temperature to the evaporator.
- a. Turn on 3-88 (unit ON-OFF switch).
  - b. With 88F (evaporator fan relay) energized, MF1-1 and 1-2 (evaporator fan motors) start.
  - c. The solenoid valve is opened by means of the compressor relay in 23A1.
  - d. When 20S is opened, refrigerant flow and low pressure rise. As it reaches  $0.2\text{ kg/cm}^2$ , LP of 63HL (dual pressure switch) is turned on.
  - e. With LP on, 88C (compressor relay) gets energized. MC (compressor) and MF2-1, 2 and 3 (air-cooled condenser fan motors) will start and GL (green lamp) will light up. --- The unit enters in the normal operation and inside temperature begins to fall. ----
  - f. When inside temperature drops to higher than thermostat setting by  $2.5^{\circ}\text{C}$ , the IN RANGE relay of 23A1 is turned on and OL (Orange lamp) lights up.
  - g. When inside temperature reaches thermostat setting, the compressor stops, 20S is closed and pump down operation starts.
  - h. When the low pressure falls down to  $40\text{ cmHgV}$ , LP of 63HL is turned off; 88C becomes unenergized; MC, MF2-1, 2, and 3, etc. stop; and frozen operation stops.

- i. If inside temperature continues falling furthermore lower than thermostat setting by  $3.6^{\circ}\text{C}$  the IN RANGE relay is turned off and the OL will go off (Low limit alarm).
- j. When the temperature rises to the preset temperature minus  $2.5^{\circ}\text{C}$ , IN RANGE relay is turned on and OL lights up.
- k. When storage temperature further rises and becomes higher than thermostat setting by  $+1.1^{\circ}\text{C}$ , the COMP. relay is turned on and the refrigeration unit is operated as stated in c  $\rightarrow$  d  $\rightarrow$  e.
- l. When storage temperature rises higher than thermostat setting by  $+3.6^{\circ}\text{C}$ , the IN RANGE relay is turned OFF and OL will go off. (Upper limit alarm)



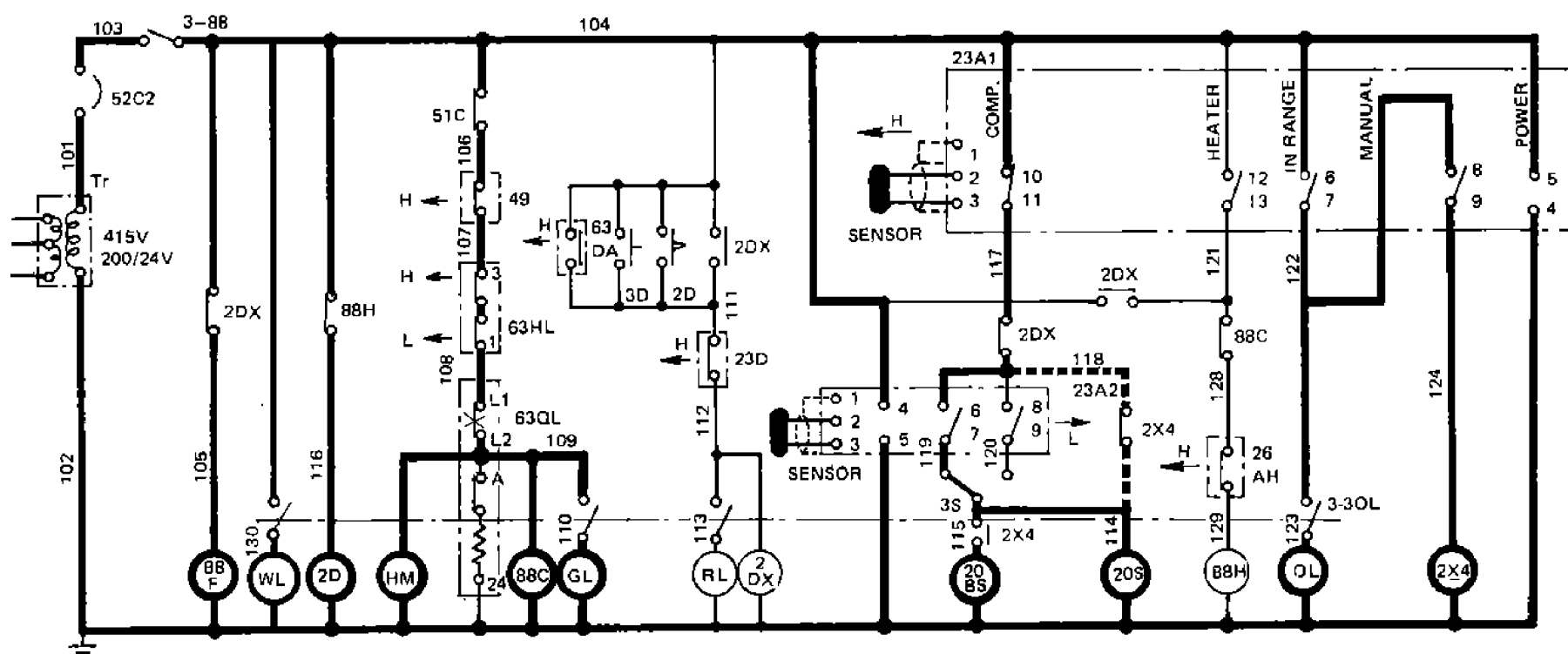


Flow of refrigerant during frozen operation



Flow of refrigerant during chilled operation

### 3.4 Chilled-operation – capacity control



(1) Chilled operation is performed when the preset temperature is  $-4.5^{\circ}\text{C}$  or higher. MANUAL relay (which switches over frozen and chilled modes) of 23A1 is turned on, 2X4 relay becomes energized at in range and temp. the circuit of the chilled operation is set up.

(2) Capacity control operation – Hot gas bypass method  
Hot gas is bypassed through the bypass valve to control cooling capacity. When discharge air temperature is lower than setting of discharge air thermostat (23A2), pump down is accomplished, the compressor is stopped, and discharge air temperature is controlled so as not to over-cool.

The operation sequence are explained hereunder.  
Never manipulate the setting of 23A2, which has been precisely adjusted at our factory before shipment.

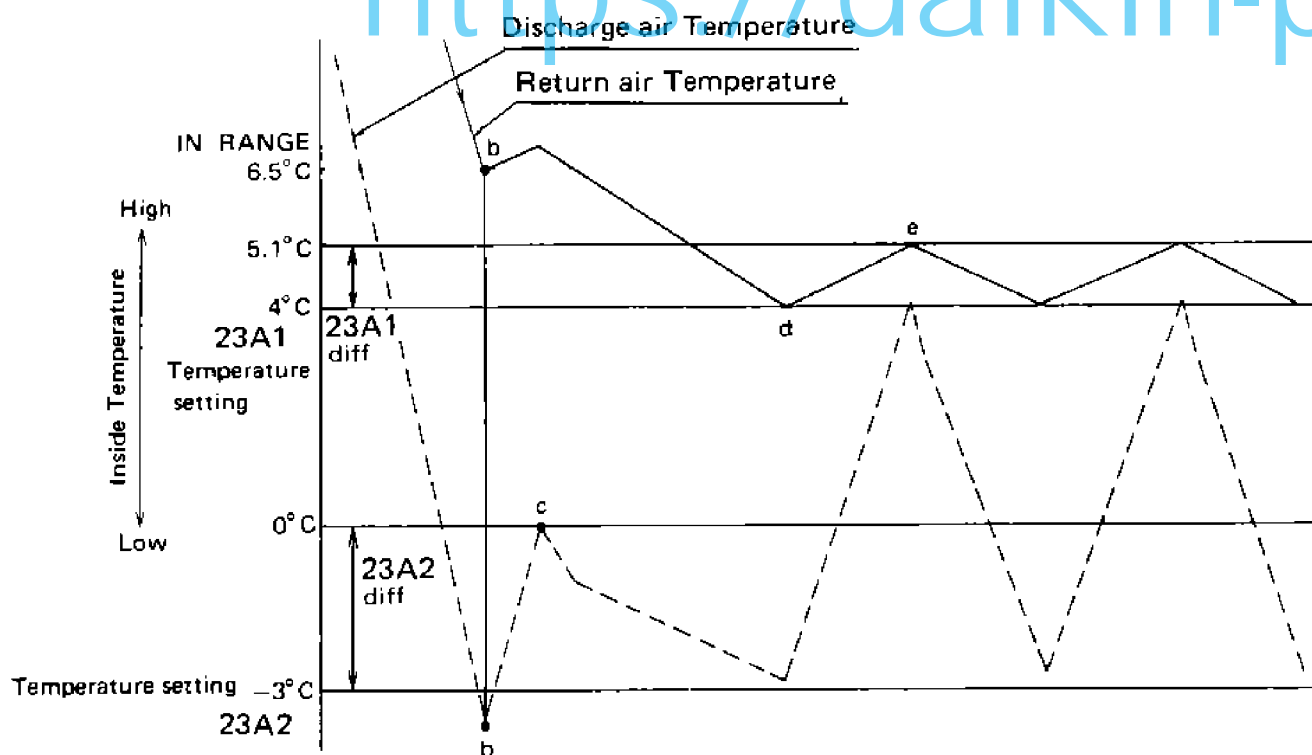
- a. Chilled operation is the same as frozen operation described from a to e until inside temperature becomes higher than thermostat setting (23A1) by  $2.5^{\circ}\text{C}$  from pull down operation. Hot gas will not be bypassed until entering inside temperature reaches the upper limit of in range temperature. (In the above sequence, only 20S is opened through the line shown with - - -)
- b. When return air temperature becomes higher than thermostat setting (23A1) by  $2.5^{\circ}\text{C}$ , the IN RANGE relay (23A1) is turned on (OL lamp lights up), 2X4

relay is actuated, the hot gas bypass circuit and delivery air thermostat circuit are formed, and 20BS is open, which put the refrigeration unit in hot gas bypass operation. If discharge air temperature has reached  $-3^{\circ}\text{C}$  or  $-1.5^{\circ}\text{C}$  (delivery air thermostat setting) in this time (the IN RANGE relay is turned on), 23A2 is turned off and 20S and 20BS are closed. After pump down, the compressor stops not to over-cool.

- c. In the next stage, when storage temperature rises and reaches ON point of 23A2, 20S and 20BS are open and let the hot gas bypass.
- d. When inside temperature drops and return air temperature reaches temperature setting of 23A1 ( $0^{\circ}\text{C}$ ); i.e. before discharge air temperature reaches OFF point of 23A2.  
23A1 and the COMP relay are turned off, 20S and 20BS are closed, and pump down starts. After pump down, operation is stopped.
- e. When return air temperature rises higher than thermostat setting of 23A1 by  $+1.1^{\circ}\text{C}$ , the COMP relay is turned on and hot gas operation once again starts.  
– After that, 23A1 controls return air temperature by operating the compressor on and off.

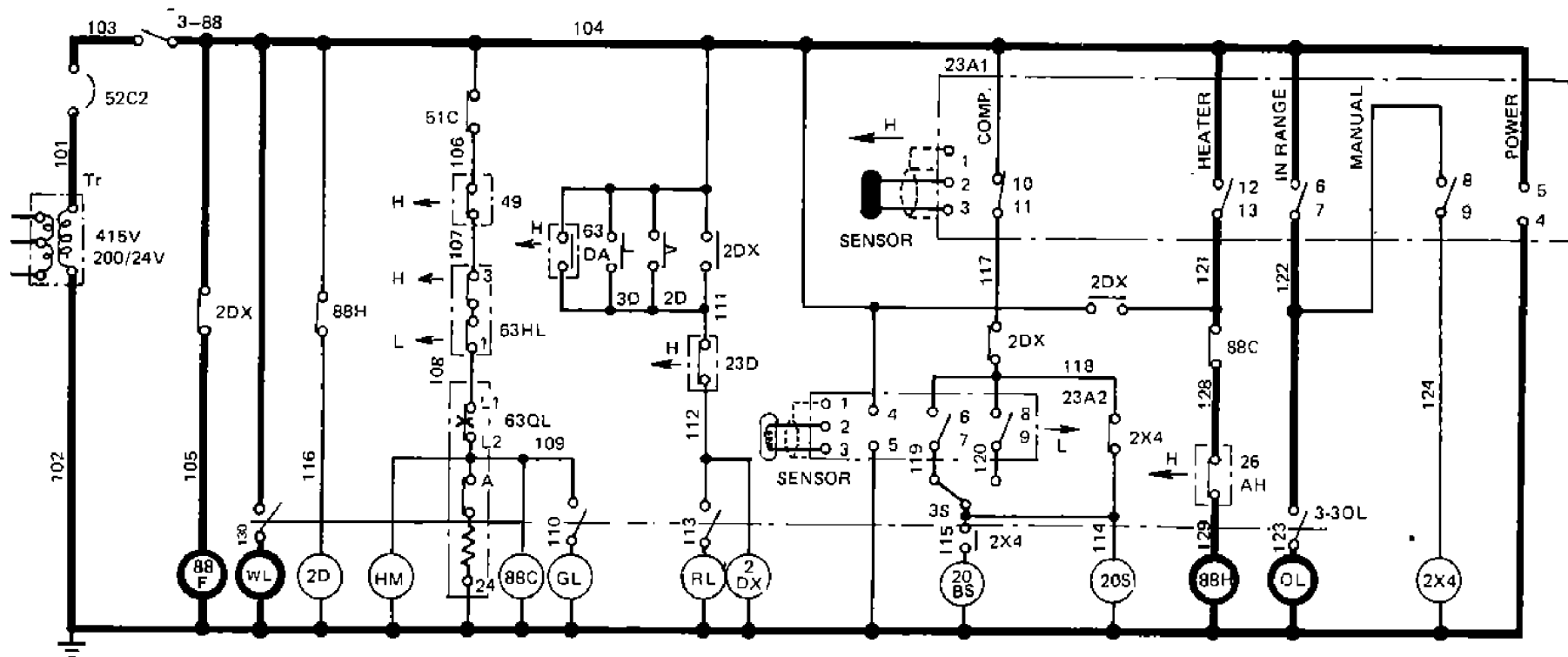
NOTE) It is possible to make the electronic delivery safety thermostat 23A2 not to function by connecting the terminals of 23A2 (Between code no. 114 and 118) when it is required for any reasons.



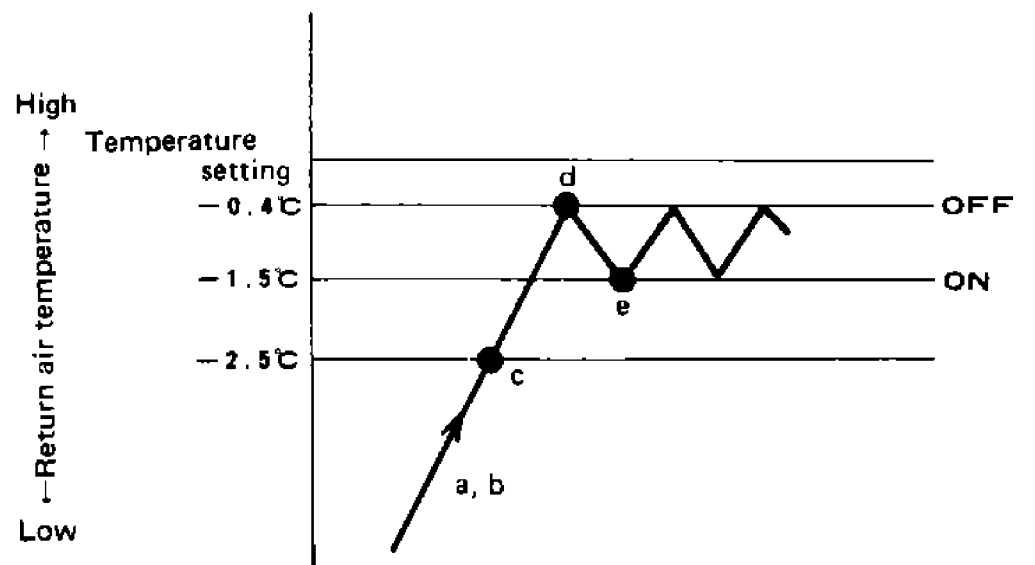


**Note:**  
During capacity control operation, discharge air temperature is sometimes controlled by 23A2 as shown in the following diagram. This is, however, not an abnormal state.

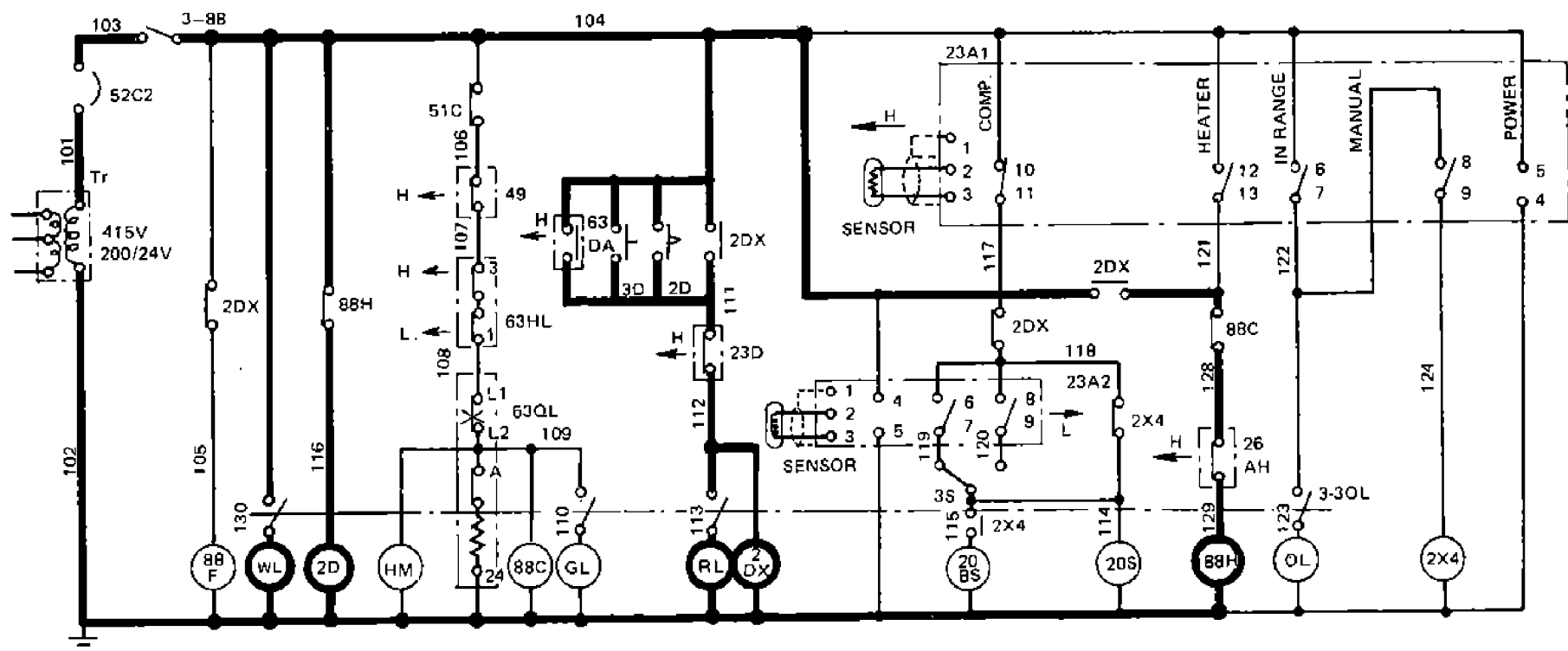
### 3.5 Heating operation



- 1) Heating is accomplished only when thermostat setting (23A1) is over  $-4.5^{\circ}\text{C}$ .
- 2) The heater relay of 23A1 controls the electric heater on and off for heating.
  - a. When inside temperature is lower than thermostat setting, the COMP relay is turned off, 20S is closed, and MC, MF2-1, 2, 3 stop with pump down state.
  - b. When inside temperature is lower than thermostat setting by over  $1.5^{\circ}\text{C}$ , the heater relay is turned on, 88H is energized, and the electric heaters (H1-8) are energized. Then warm air is distributed to the storage space by the evaporator fan.
  - c. When inside temperature rises and reaches thermostat setting ( $-2.5^{\circ}\text{C}$ ), the IN RANGE relay is turned ON and OL will light up.
  - d. When inside temperature rises further more and reaches thermostat setting  $-0.4^{\circ}\text{C}$ , the heater relay is turned off, 88H is de-energized and the electric heater is de-energized.
  - e. When, inside temperature falls to thermostat setting  $-1.5^{\circ}\text{C}$ , the heater relay is turned on and heating will start again. If the heater is abnormally heated accidentally, the over-heat protection thermostat (26AH) is actuated to stop the heater.



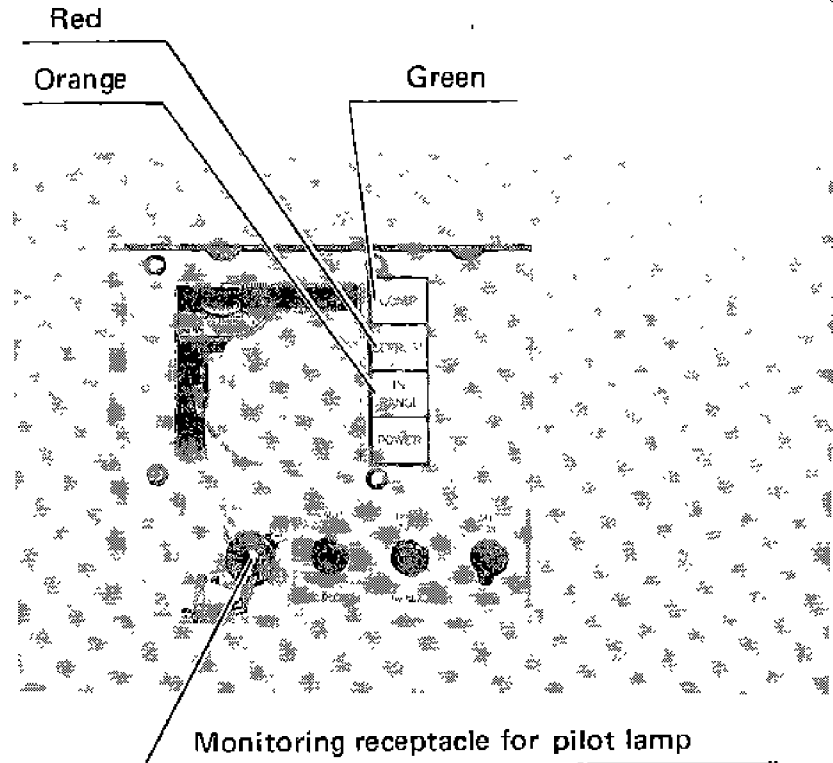
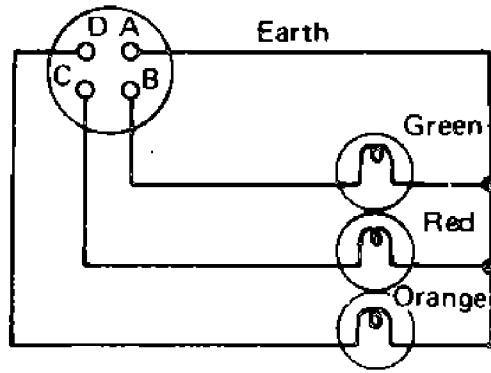
### 3.6 Defrost operation



- (1) Defrost operation can be started by the following (three elements).
  - The air pressure switch (63DA) is turned on when the pressure difference of air draft at the inlet and outlet of the evaporator becomes large with much frost developing on the evaporator coil.
  - Timer (2D) is turned on.
  - Manual defrost switch (3D) is turned on.If one of those stated above is on, defrost relay (2DX) becomes energized, and RL (red lamp) lights up.
- (2) When 2DX is energized:
  - 88F is de-energized and the evaporator fan stops.
  - 20S (20BS) is closed, GL will go off after pump down, 88C is de-energized and MC, MF2-1, 2, 3 stop.
  - When 88C is de-energized, 88H is energized, the electric heaters (H1-8) are energized and defrosting starts.
- (3) When the evaporator coil temperature rises to 40°C after having removed frost, defrost termination thermostat (23D) is turned off and 2DX becomes de-energized. Now defrosting operation is completed.

### 3.7 Pilot lamps and monitoring circuit

- (1) Three lamps which indicate operating mode are mounted on the front panel of the control box.  
**Red** : indicates defrosting mode  
**Green** : indicates that the compressor is running  
**Orange** : indicates that inside temperature is within range  
 Receptacles for monitoring pilot lamp is also equipped and its connections is shown at below.



- (2) States of pilot lamps and operating modes  
 (○ : lights, ☆ : Goes off)

Be sure to check first that the pilot lamps are not broken out before check.

	Pilot lamps			Operation state	
	Orange	Red	Green	Normal	Abnormal
1	☆	☆	○	During frozen operation (Pull down)	
2	○	☆	○	Temperature is proper for cooling or heating.	
3	○	☆	☆	Proper temperature (compressor stops)	
4	☆	○	☆	It is normal so long as operation becomes as stated in (1) during defrosting by approx one hour.	If this state continues for several hours, there must be trouble with defrosting termination thermostat or defrosting heater and its related parts.
5	○	○	○	Defrosting starts within proper temperature range. It is normal so long as the green pilot lamp goes out within 30 ~ 40 seconds.	If this state continues for more than a few minutes, it may be caused by (1) Clogging of solenoid valve (2) Low pressure setting is very low or malfunction of low pressure switch.
6	☆	○	○	Defrosting starts during pull down. It is normal so long as the green pilot lamp goes out within 30 ~ 40 seconds.	
7	○	○	☆	If orange pilot lamp goes off within few minutes during defrosting operation, operation is normal.	After a few minutes, orange and red pilot lamps light up or go off simultaneously. (Cause) Controller setting is wrong.
8	☆	☆	☆	During heating operation (Pull up)	Function of safety devices: (1) Dual pressure switch (2) Oil pressure protection switch (3) Compressor protection thermostat (4) Power source and circuit breaker (OFF)

Note: A power indicator lamp (white) is provided.

## 4. Major components and maintenance

### 4.1 Components related with refrigeration circuit

#### 4.1.1 Compressor

The compressor is of a semi-hermetic type with the built-in motor so that there are few places where leakage of refrigerant may occur. The reversible trochoid pump used produces the required oil pressure regardless of the direction of rotation of the built-in motor.

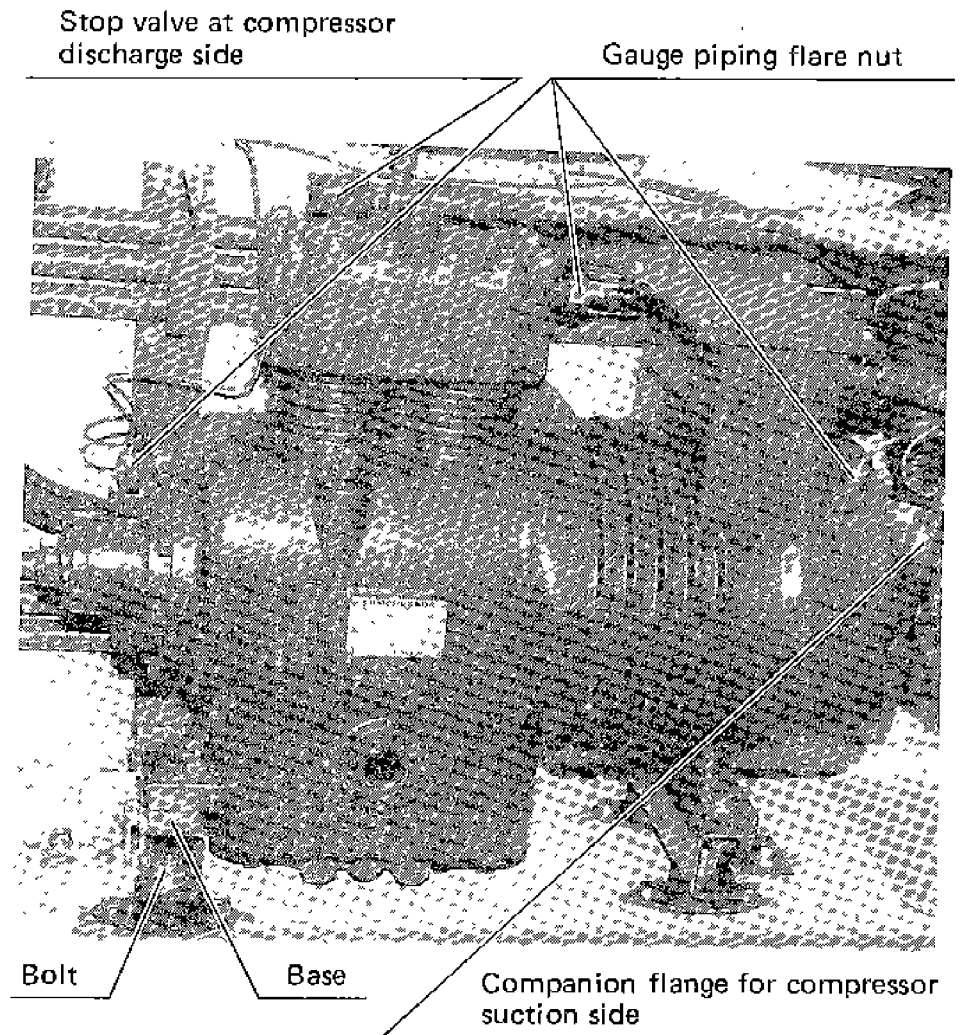
##### (a) Replacement

Remove the compressor by the following procedure.

- 1 Remove the front and base plates and protective bar of the cable stowage.
- 2 Remove the discharge stop valve, suction stop valve gauge piping flare nut (compressor side) and cable.
- 3 Remove four bolts (two on each side) fastening the compressor and base.
- 4 Take out the compressor to the front of the unit.

##### (b) Installing procedure

Install the compressor according to reverse procedure given above. When tightening the bolts, refer to the list for torque.

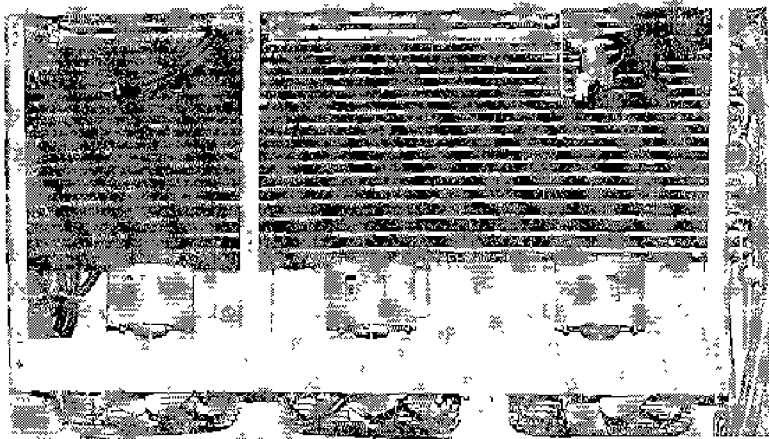


#### 4.1.2 Air-cooled condenser and evaporator

Of the "cross fin" coil type having special corrugated fins are compact and very efficient in producing uniform heat exchange efficiency.

##### (a) Maintenance

Service the air-cooled condenser after removing the air suction grille. Service the evaporator after removing the air suction grille or the access panels from outside.



Air cooled condenser



Evaporator

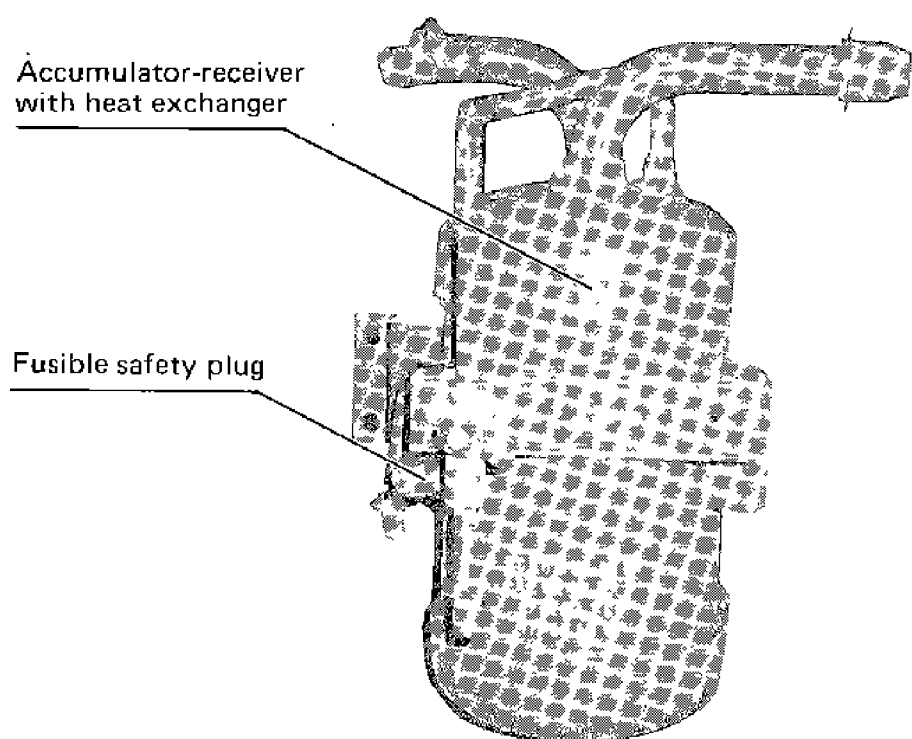
#### 4.1.3 Water-cooled condenser

Of the tube-in-tube type in which cooling water flows in the inner tube while the refrigerant flows between the outside wall and the wall of the inner tube. Since special fins are fitted, the condenser is compact and light.

**4.1.4 Accumulator-receiver with heat exchanger**

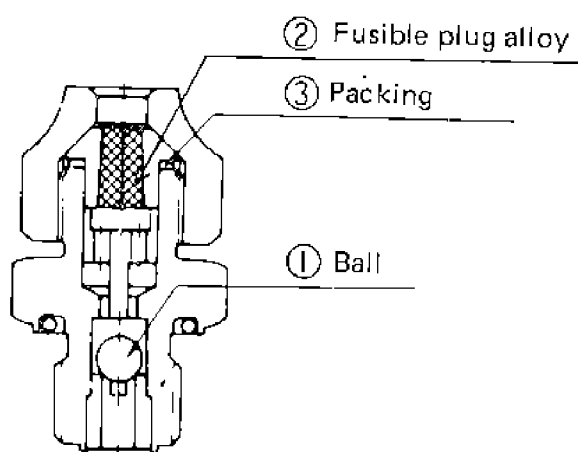
Consist of the accumulator, receiver, and heat exchanger, which are encased in a vertical cylindrical construction; i.e. the heat exchanger passes through the accumulator from its top to the bottom and reaches to the receiver.

This construction reduces heat loss. A fusible safety plug is fitted to the receiver body.



**(a) Replacement procedure of the fusible safety plug**

When pressure rises abnormally in the system, the fusible plug melts itself, so if the fusible plug is melted, check possible causes thoroughly. When fusible plug functions, the centre of the fusible plug alloy ② melts, from which the refrigerant jets out. When the flare nut is removed, ① is apt to come out by pressure and clogs the passage of the refrigerant outlet, which prevents the refrigerant from jetting out and also the air from entering. Thus, refrigerant loss is extremely minimized.



Construction of fusible plug

Insert a new ② with ③, and tighten the flare nut.

**4.1.5 Expansion valve**

The externally equalized thermal expansion valve which is fitted before the evaporator and senses over-heat degree of leaving evaporator refrigerant and controls flow of the refrigerant automatically according to operating conditions. The expansion valve with MOP (MAXIMUM OPERATING PRESSURE) is adopted to protect the compressor motor from overload.



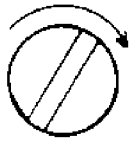
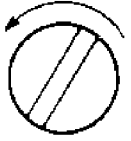
“CAUTION” Whenever adjusting and replacing the expansion valve, the unit should be stopped securely for safety sake.

**(a) Adjusting the expansion valve**

There are two methods to adjust the expansion valve; i.e. one is the adjustment based on the suction operation standard and the other is that based on the frost conditions on the compressor.

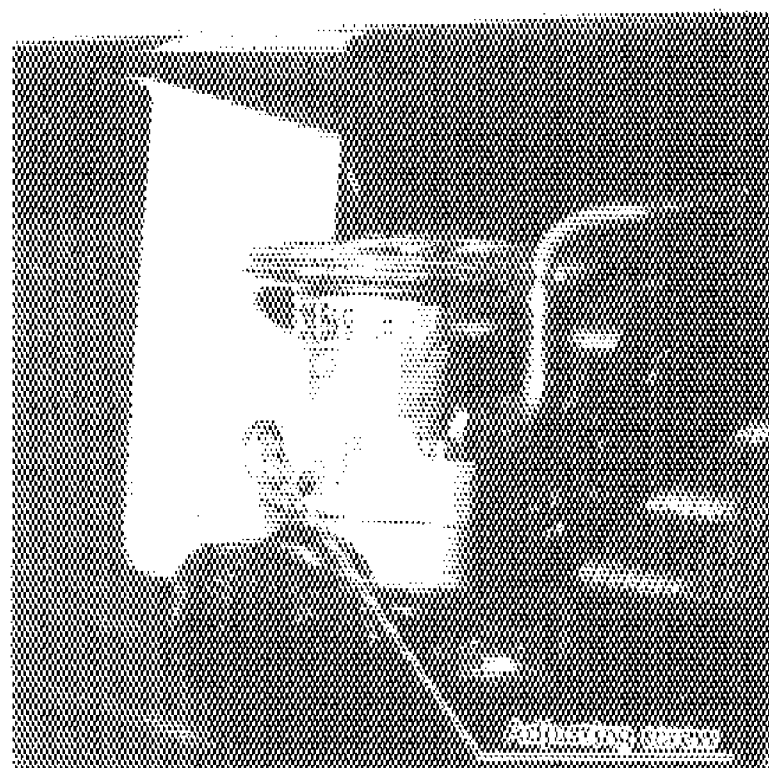
- (1) Adjustment based on the suction operation pressure
  - 1) Conform that the predesigned volume of the refrigerant has been charged.
  - 2) Attach a pressure gauge to each gauge port and operate the refrigeration unit, maintaining inside temperature at  $-18^{\circ}\text{C}$  ( $-0.4^{\circ}\text{F}$ ). (See, Attaching or detaching points of pressure gauge).
  - 3) When temperature in the inside comes to the preset temperature, compare the suction pressure reading with the standard pressure. (See Standard operation pressure curve)
  - 4) If suction pressure reading differs with the standard pressure, adjust the expansion valve as stated below.
  - 5) After loosening the clamp screw, turn the adjusting screw.
  - 6) Note that pressure will not change after a certain lapse of time.
- (2) The adjustment based on frost stated on the compressor.
  - 1) Refer to the caution for adjustment of expansion valve as above. At this time, inside temperature should be maintained to  $-18^{\circ}\text{C}$  ( $-0.4^{\circ}\text{F}$ ).
  - 2) Regulate the adjusting screw as stated below based on frost state on the suction pipe and the stop valve of the compressor.
  - 3) Whether or not the adjustment required is judged by frost state of the flange on the suction side of the suction valve.
  - 4) However note that frost state differs with outdoor air conditions (temperature and humidity).

## Adjusting points for expansion valve

Adjusting screw	Turning direction		Operation state
Adjusting screw of expansion valve	Clockwise		Suction pressure is higher than the standard pressure (Frost forms on the suction pipe rather than the suction flange of the stop valve). Clockwise rotation of the adjusting screw decreases running pressure.
	Counter-clockwise		Suction pressure is lower than the standard pressure (frost forms on the compressor side rather than the suction flange of the stop valve). Counterclockwise rotation of the adjusting screw increases running pressure.

### (3) Countermeasures after operation

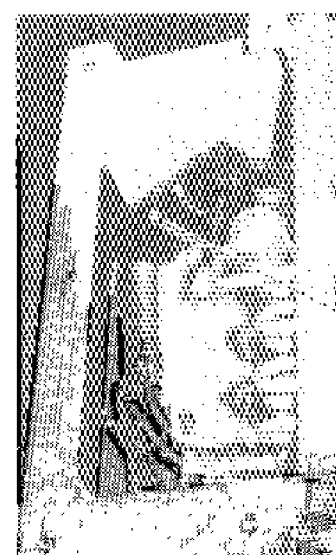
- 1) Remember the original setting of the expansion valve. If any change is not found with the setting after adjustment of the expansion valve, return the adjusting screw to the original position, as trouble occurred caused by other reasons.
- 2) When the adjusting screw is returned to its original position, firstly turn it passing the original position and then return it to the original position.
- 3) After adjustment, be sure to tighten up the clamp screw and cap it to prevent the refrigerant from leaking.
- 4) After completion of the adjustment, operate the unit, keeping inside temperature at  $-16^{\circ}\text{C}$  ( $-0.4^{\circ}\text{F}$ ) and confirm that low pressure is within the range of operating pressure at items 5.



### (b) Replacement

Remove the access panel and the front panel of the air cooled condenser which are located outdoors, before undertaking the work.

- 1) Remove the feeler tube, equalizing pipe flare, and fastening bolts. (To replace the cage alone, there is no need to remove the feeler tube.)
- 2) Remove the power assembly, cage, and packing.
- 3) Be sure to install a new packing when replacing it.



### 4.1.6 Liquid/moisture indicator

This indicator permits checking of flow of the refrigerant and moisture content in the refrigerant.

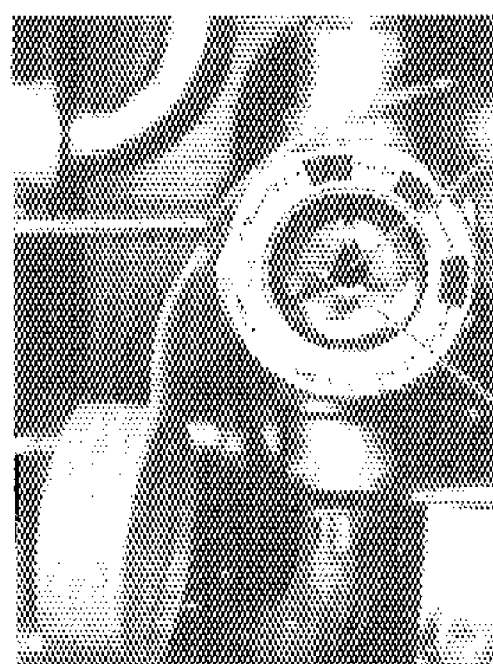
Check this indicator during the unit to operating.

#### (a) Moisture content

The indicator indicates moisture content by the color at the center of the window.

Color	State
Deep blue	Dry
Orange	Wet (moisture contained)

- Note:
1. The indicator may appear orange if it has been exposed to gaseous refrigerant for a long time.
  2. The indicator is to be checked at being sealed with liquid refrigerant after operating for a few hours.



3. Change of the indicator is influenced by the temperature of liquid refrigerant. The lower temperature cause the change of indicator to take the longer time.
4. To shorten the time for change of indicator, raise up the temperature of liquid refrigerant.

**(b) Flow of the refrigerant**

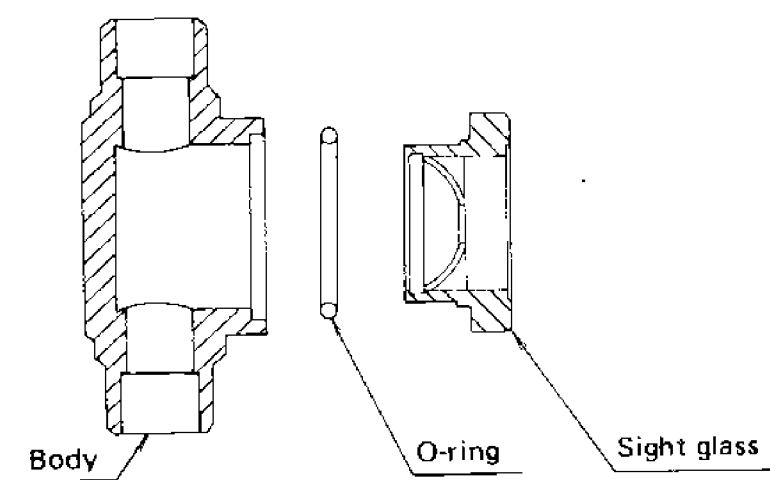
- When indicator is filled with liquid refrigerant, pattern of wave on glass disappears.
- Check

Operation	Indicator state
At start	Bubbles appear but liquid refrigerant is sealed in 30 minutes to an hour after starting.
During operation	Occasional bubbles may appear more or less. { Particularly appear more during capacity control operation }

If bubbles develop continuously, the refrigerant is possibly running short.

**(C) Replacement**

- 1) Put the system in "pump down" state.
- 2) Turn the sight glass counterclockwise, and remove it together with the O-ring.
- 3) Apply refrigeration oil to the new O-ring, and fasten the sight glass with torque of  $70 \pm 5$  kg-cm. (Do not apply excessive torque, or the O-ring will break.)



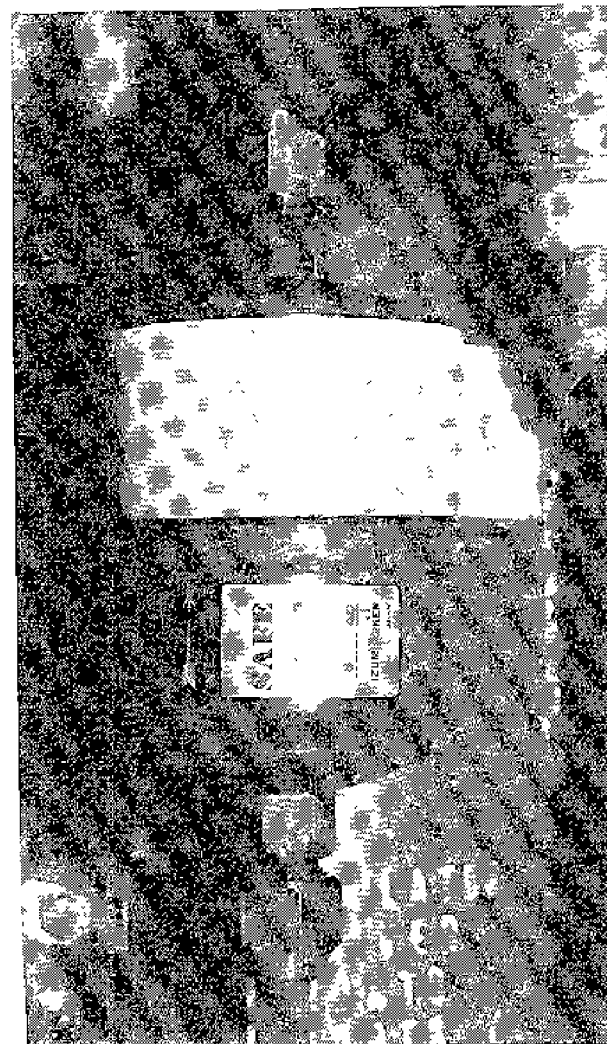
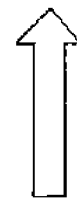
**4.1.7 Dryer**

This removes moisture and dust from the refrigerant while it is circulated. Replace the dryer if it does not remove moisture or is clogged.

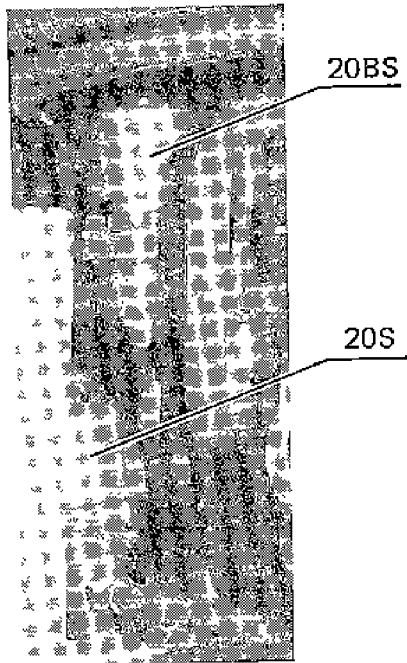
When installing the new dryer, follow the directions given on the nameplate and do not make any mistake about the direction of the dryer.

**(a) Replacement**

- 1) In "pump down" state (see Service), close the compressor suction stop valve.
- 2) Then, loosen the flares at the both end of the dryer and replace the dryer quickly.
- 3) Be careful not to get air into the piping on the solenoid valve side while removing the dryer.
- 4) After reattachment of the dryer, open the stop valve a little to purge the air in the dryer from the flare on the solenoid valve side and then close it at once.
- 5) Loosen the flare on the other side, forcedly turn off the low pressure of the dual pressure switch, turn on the master control switch and open the solenoid valve only to purge the air.
- 6) After completion of the work, open the stop valves to its original state and then inspect the system for gas leakage. Ensure no gas leakage is found.



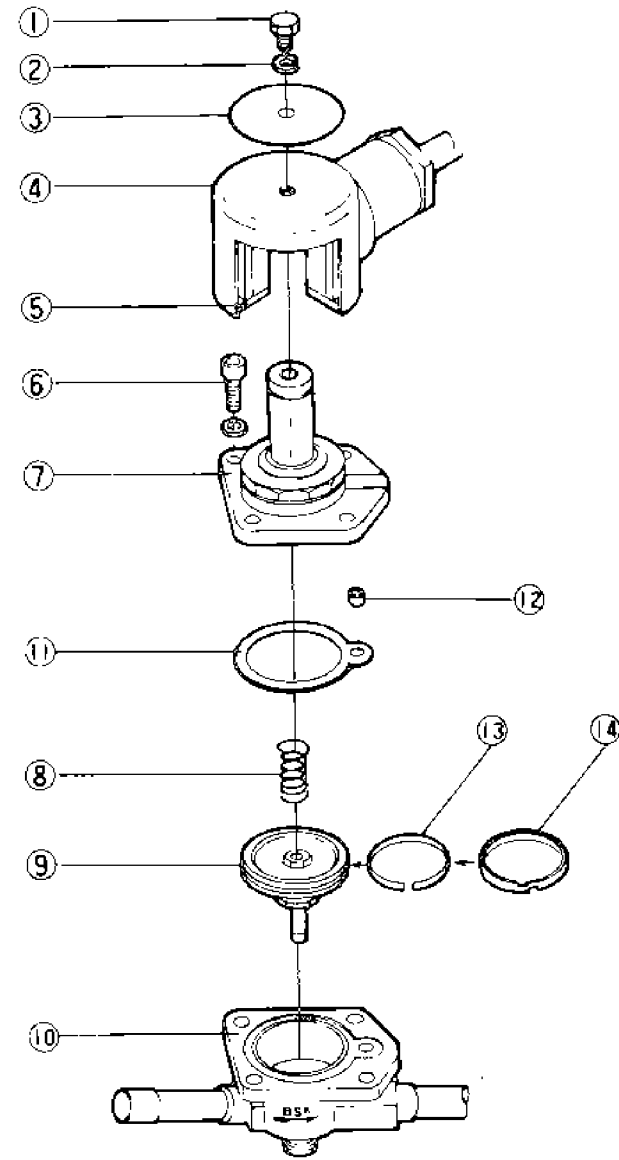
**4.1.8 Solenoid valves**



- (a) Solenoid valve in the liquid line (20S)  
20S is opened or closed by the signal of the controller.  
When 20S is closed, the refrigerant flow is blocked.  
(For pump down).
- (b) Solenoid valve in the hot gas line (20BS)  
The solenoid valve is opened to allow hot gas to pass when capacity is controlled or storage temperature becomes within suitable storage temperature range. (In case of pump down, this solenoid valve is also closed)  
Both 20S and 20BS are open when the solenoid is energized and closed when not energized.

(c) Disassembly

- The structure of the solenoid valve is shown at below.  
(For disassembly, checking, and reassembly, refer to this diagram.)
- When brazing a pipe to the valve, cool the valve body with a wet cloth. (It is not required to disassemble the valve. Remove the coil ass'y from the body.)
- During reassembly, tighten the four bolts x4 with torque of 50–60 kg-cm.



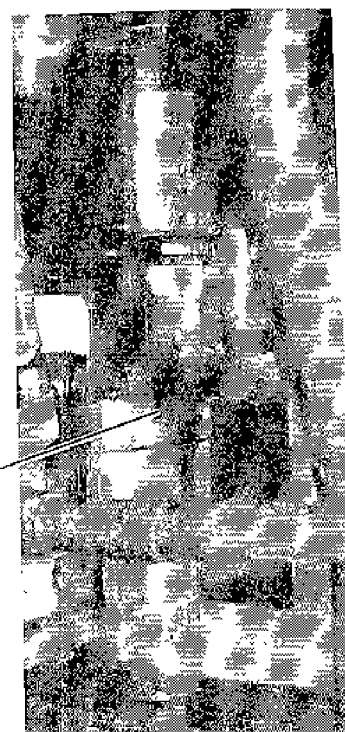
No.	Parts name
①	Set bolt
②	Spring lock washer
③	Name plate
④	Coil ass'y
⑤	Retaining plate
⑥	Set bolt
⑦	Cover ass'y
⑧	Spring
⑨	Piston
⑩	Valve body
⑪	Packing
⑫	Sleeve
⑬	Inner ring
⑭	Piston ring

**4.1.9 Hot gas bypass control valve**

The hot gas bypass valve controls the flow of hot gas. It has been precisely set at the factory. So do not change the setting.

● MODEL CPHE-4

Hot gas bypass valve





## 4.2. Components related with the air system

### 4.2.1 Fans and motors

#### (a) Specifications

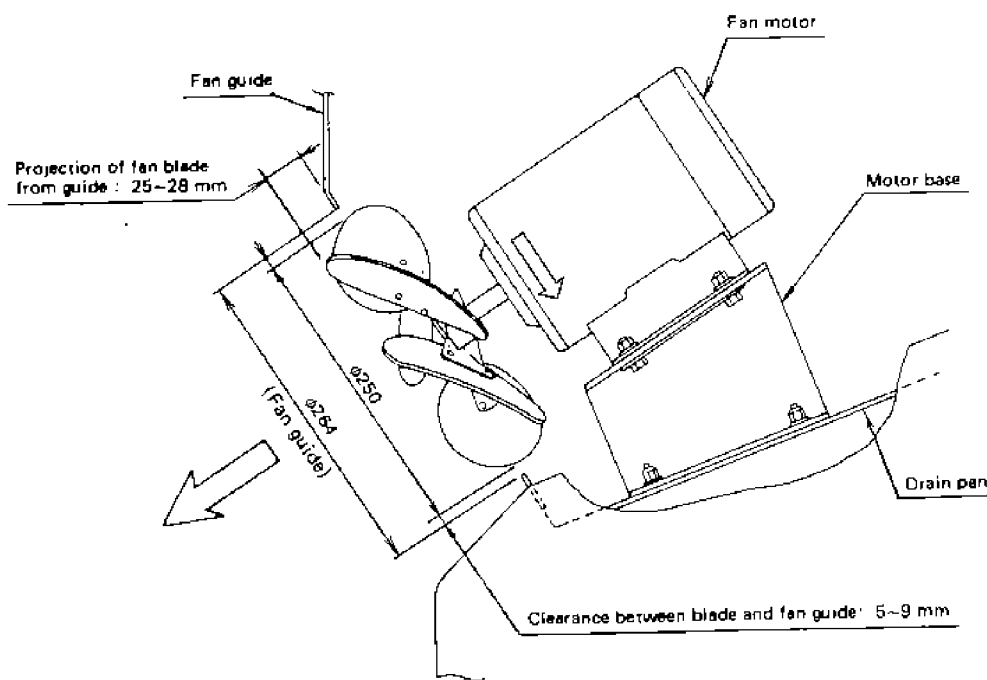
##### <Fan>

	Evaporator	Condenser
Type	Propeller fan	Propeller fan
Number of blades	6 pcs.	6 pcs.
Blade diameter	φ250	φ260

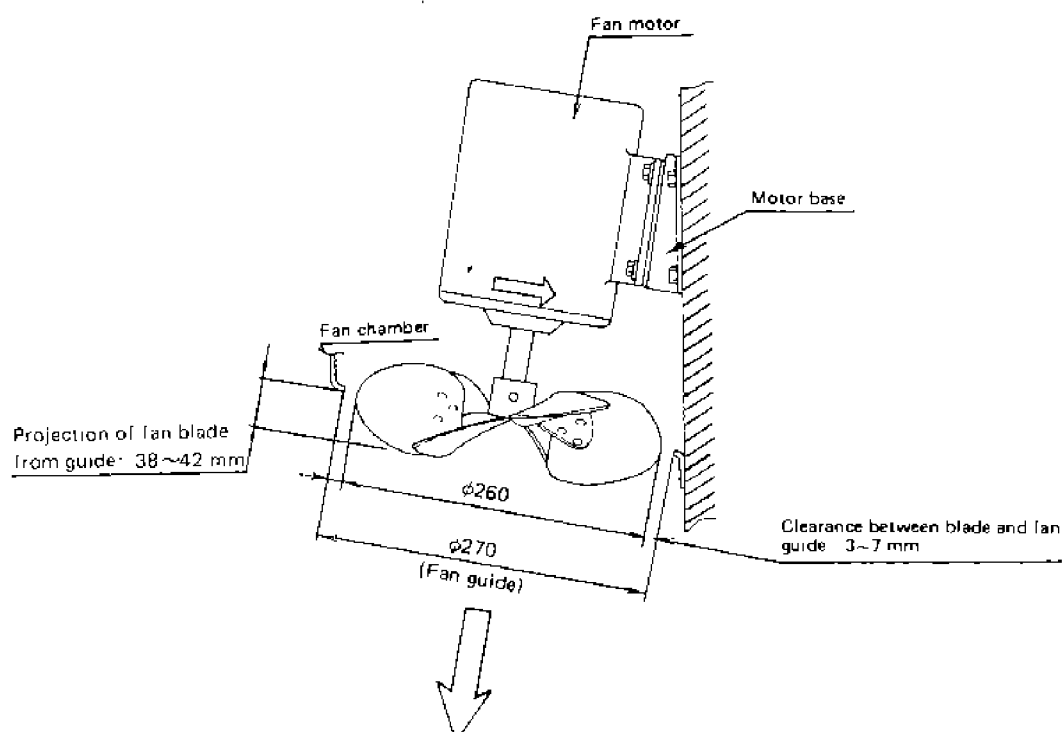
##### <Motor>

Type	Single-phase, squirrel-cage induction motor	
Motor output (number of poles)	465W (2P)	60W (4P)
Capacitor	Built-in	Separate
Bearing	Ball bearing, 6203 contactless type, rubber shield	

#### (b) Installation procedure



#### Evaporator fan and motor

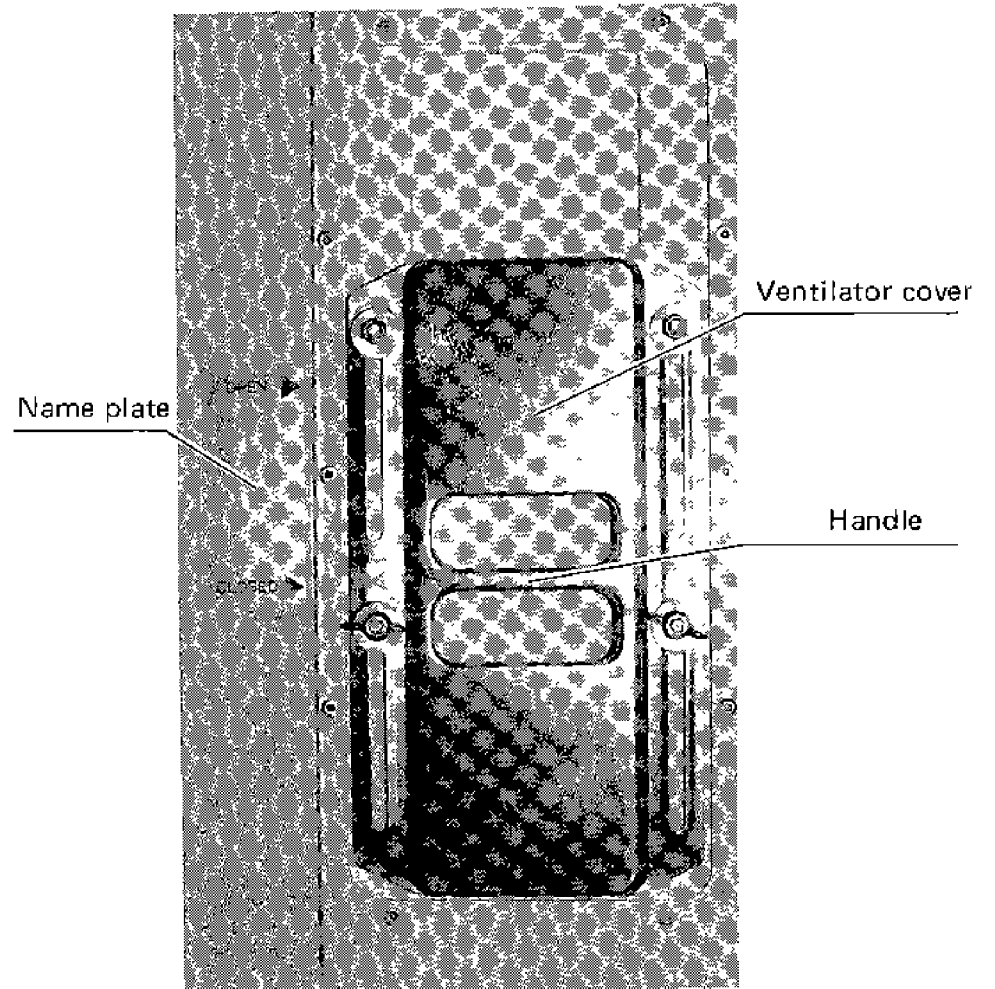


#### Condenser fan and motor

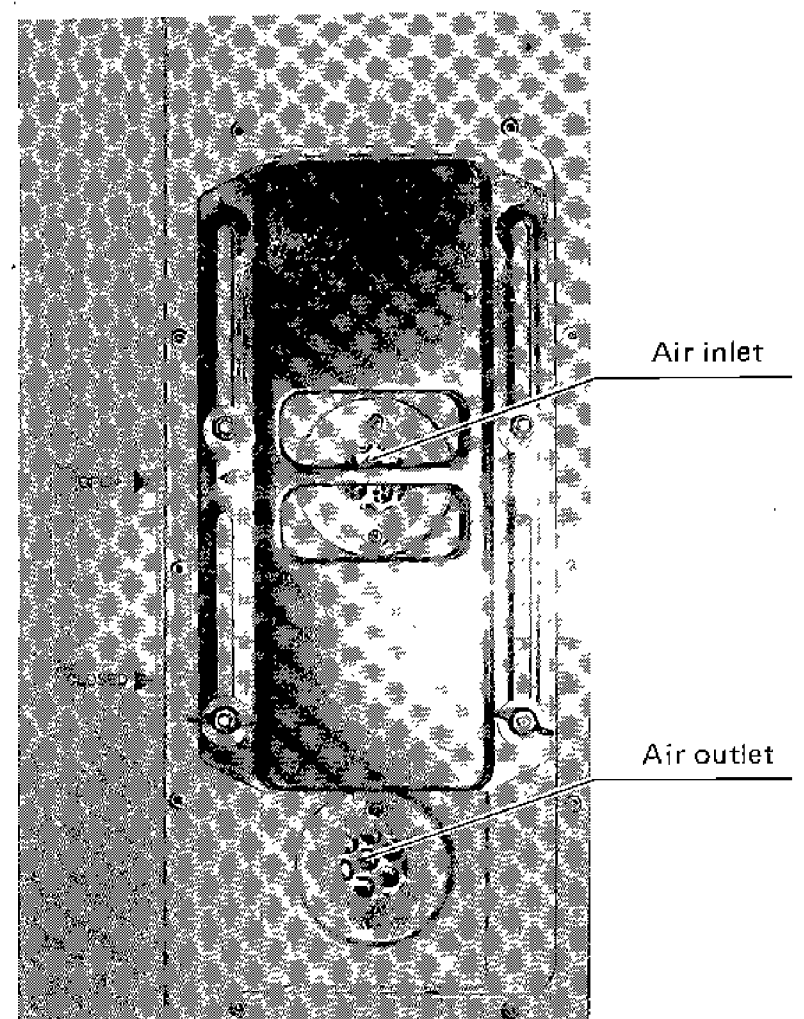
### 4.2.2 Ventilator

#### ■ Operation

- If ventilation is not needed:  
Set the handle to CLOSE.



- If ventilation is needed:  
Set the handle to FULL OPEN.



**4.3 Temperature control components**

**4.3.1 Electronic recording temperature controller**

**a. Specifications**

Model : WKM-S424

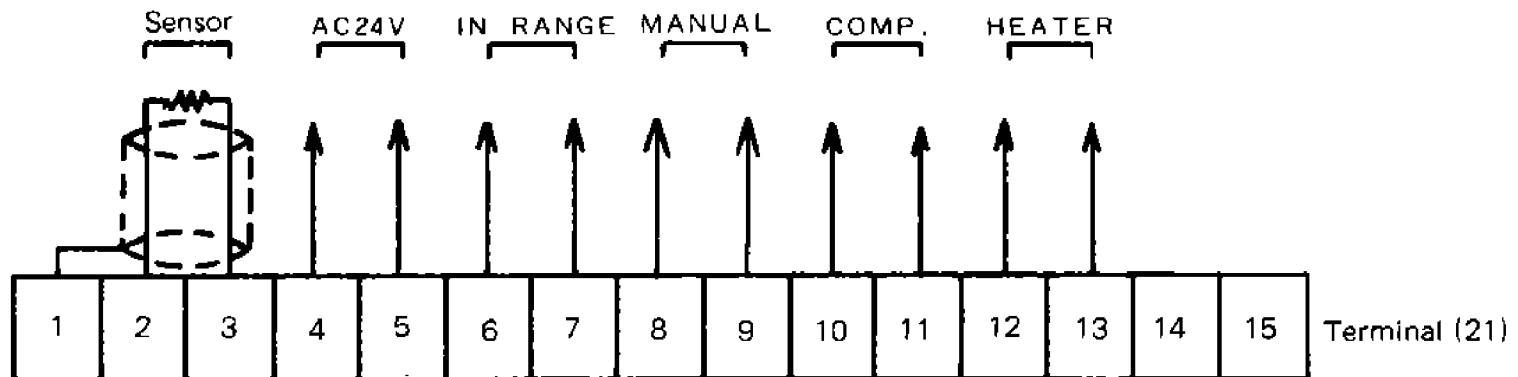
**1 Electronic controlling parts**

- Power source AC 24V 50/60Hz
- Temperature control range  $-25 \sim +25^{\circ}\text{C}$  ( $-13 \sim 77^{\circ}\text{F}$ )
- Sensor Platinum rhodium resistance bulb ( $0^{\circ}\text{C}$  ( $32^{\circ}\text{F}$ )  $100\Omega$ )
- Number of output switches 4 ea
- Characteristics of switch function **Example:** Temperature setting standards will be  $-2^{\circ}\text{C}$  when sensing temperature and setting temperature are  $0^{\circ}\text{C}$  and  $2^{\circ}\text{C}$  respectively.

Temperature setting standards  
(Sensor temp.) – (Temperature setting)

Temp		Temp																	
		-7	-6	-5	-4	-3	-2	-1	0°F	1	2	3	4	5	6	7			
Name		-4	-3	-2	1	0°C	1	2	3	4						4			
COMP	Setting Temperature more than	-----												0°C (OFF)	-----		1.1°C (ON)	-----	
	Setting Temperature lower than	-----												0°C (OFF)	-----		1.1°C (ON)	-----	
IN RANGE	Setting Temperature more than	-----		-3.6°C (OFF)	-----						2.5°C (ON)	-----				3.6°C (OFF)	-----		
	Setting Temperature lower than	-----		-2.5°C (ON)	-----						2.5°C (ON)	-----				3.6°C (OFF)	-----		
HEATER	Setting Temperature more than	-----												-1.5°C (ON)	-----		-0.4°C (OFF)	-----	
	Setting Temperature lower than	-----												-1.5°C (ON)	-----		-0.4°C (OFF)	-----	
MANUAL	Setting Temperature more than	-----														ON	-----		
	Setting Temperature lower than	-----														OFF	-----		

- Difference between ON and OFF of switch (diff):  $1.1^{\circ}\text{C}$  ( $2^{\circ}\text{F}$ )
- External wiring (Wiring from the devices in the control box to the unit . . . . . to Terminal 21 in Fig. 1)



- Insulation resistance Over 50 MΩ with DC 500V megger
  - Insulation strength for 1 minute with AC 500V
- Note:** Do not impress voltage on the sensor terminals 1, 2, and 3.

**2. Recording part**

- Feeler tube
- Recording method
- Recording temperature range
- Recording paper

Gas sealed  
 Pressure sensing type  
 -25 ~ +25°C (-13 ~ 77°F)  
 Dia. 203 Disk type pressure sensible paper  
 (Graduation 1/1°C)  
 (Corresponding to PSD-217C (REV. A) made of PARTLOW Co.)  
 Timer (Quartz motor + reducing gears) a turn/31 days

- Driving method for recording paper

Goods corresponding to Dry battery  
 (DC 1.5V) JIS C 8501 . . . . . SUM2  
 IEC . . . . . R14  
 Life is approx. 1 year (Remaining voltage indicator)

Quartz motor driving source:

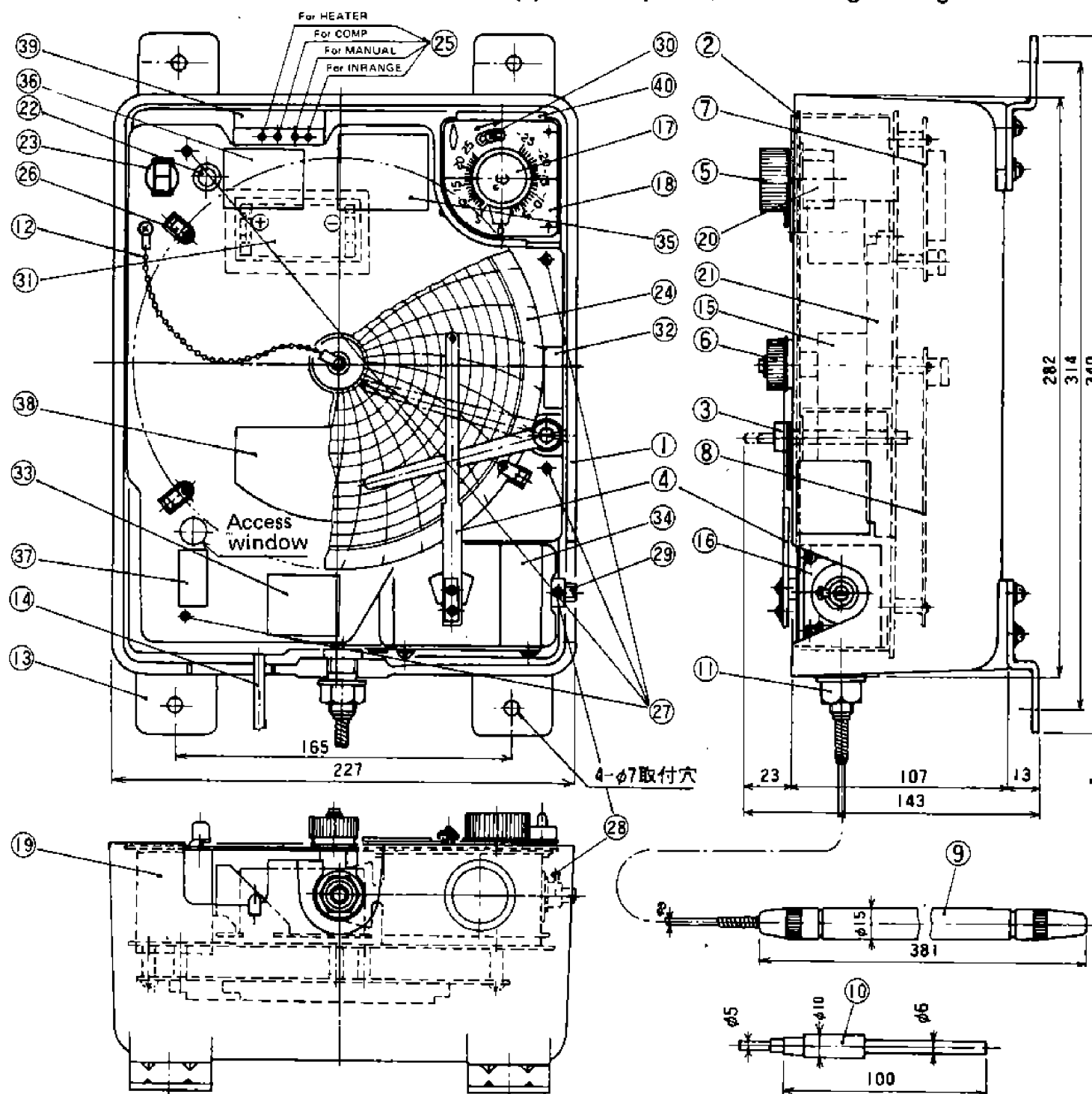


Fig. 1 Structure

- |                        |  |  |
|------------------------|--|--|
| (1) Case               | (16) Element                           | (30) Fine adjusting screw for functioning temp.              |
| (2) Recording board    | (17) Name plate for setting knob       | (31) Dry battery   |
| (3) Pen lifting arm    | (18) Setting name plate                | (32) Present time plate                                      |
| (4) Pen                | (19) Quartz motor                      | (33) Instruction plate for pen operation                     |
| (5) Setting knob       | (20) Volume                            | (34) Instruction plate for recording temperature adjustment  |
| (6) Chart nut          | (21) Terminal strip                    | (35) Instruction plate for controlled temperature adjustment |
| (7) Relay plate        | (22) Push switch                       | (36) Instruction plate for battery checker                   |
| (8) Main base plate    | (23) Remaining V indicator             | (37) Instruction plate for starter                           |
| (9) Feeler tube        | (24) Recording paper                   | (38) Wiring diagram  |
| (10) Platinum sensor   | (25) Function:                         | (39) Function indication plate                               |
| (11) Hexagonal nut     | Pilot lamp for functioning temperature | (40) Set plate for volume setter                             |
| (12) Ball chain        | (26) Claw for record paper             |  |
| (13) Mounting bracket  | (27) Set screw for recording board     |  |
| (14) Sensor lead wires | (28) Rock screw                        |  |
| (15) Mounting bracket  | (29) Temperature indication screw      |  |

**b. Operation points**

**1. Electronic controlling parts**

**① Temperature setting**

Turn the setting knob (5) to set its red line at desired temperature, at which the compressor is stopped by the compressor switch. The other switches will come into operation depending on difference between temperature setting and sensor temperature in accordance with the functional characteristics of Article a.1.

**② Confirmation of switch function**

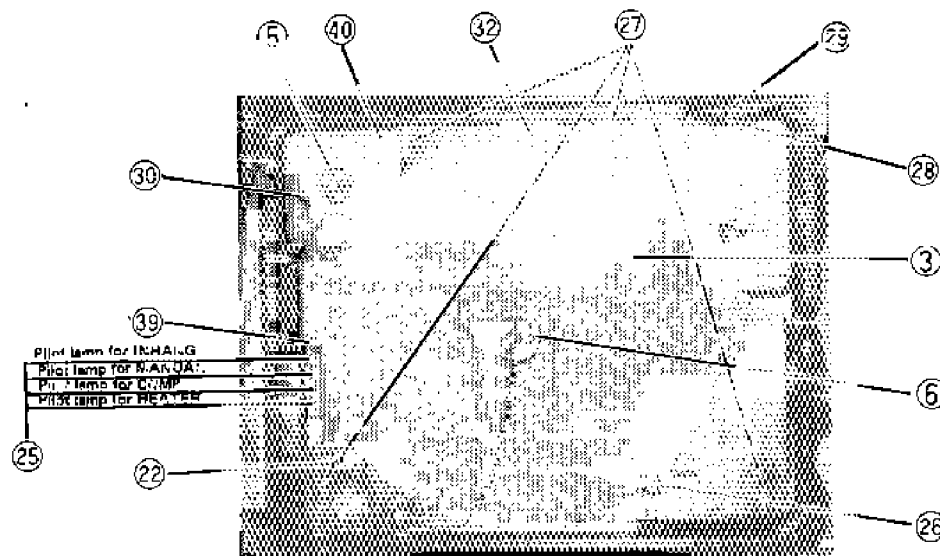
When the power source for the unit is turned on, the switch will function in accordance with Article a. 1. For confirmation of switch function, see the pilot lamp (25) (Function temperature indication lamp).

The pilot lamps are arranged in the order from the top, lamp for HEATER lamp for COMP for MANUAL and lamp for IN RANGE.

**2. Recording parts**

**① Removing the recording plate**

- (1) Turn the pen holding arm (3) by approximately 30° clockwise towards 5 O'clock by pressing it and release it, and the pen is suspended.  
(The location of the arm is shown with dotted line in Fig. 2)
- (2) Loosen four set screws (27) for recording board and the chart nuts (6), and remove the recording board to the A direction. The set screws (27) cannot be removed from the recording board to prevent them from being lost.



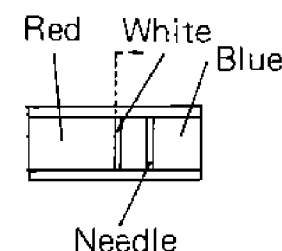
**② Recording paper set**

- (1) Set the recording paper in the centre hole in such a way that it is inserted among three set claws (26), volume setting board (40) and the recording board. At this time, note that the periphery of the recording paper does not roll up.
- (2) Set a date on the recording paper (32) at the arrow mark on the present time plate. Firmly press the recording paper and tighten up the chart nut (6).
- (3) Turn the pen holding arm (3) counterclockwise by pressing it. (The arm is located as shown with solid line in Fig. 2). At this time, confirm that the pen lifting arm is fixed.

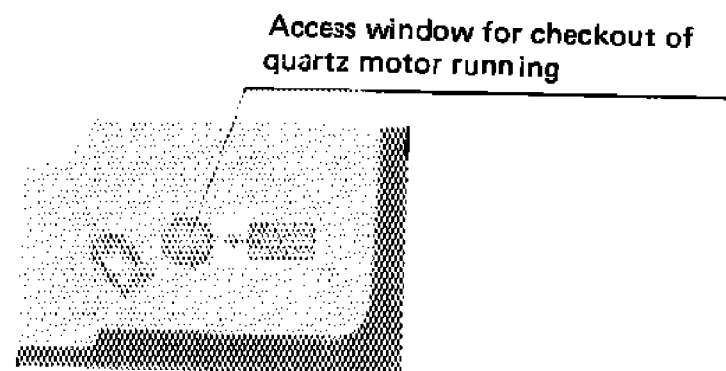
**③ Driving part of recording paper**

The recording paper is driven by the timer which is composed of a quartz motor and reducing gears. The quartz motor is driven by a dry battery.

- (1) Checkout of remaining voltage of dry battery  
Press down the push switch (22) to check life of a dry battery; i.e. check that the needle of the remaining voltage indicator is within blue zone. (The meter is functioning while the push button is pressed down)



- (2) Checkout of the quartz motor function  
After having checked remaining voltage of the dry battery, check from the access window that flywheel inside is turning.



**C. Inspection and adjusting method**

**1. Electronic controlling part**

**① Inspection points**

- (1) Set the temperature setting knob at 0°C (32°F) and put the unit into refrigeration operation.
- (2) Accomplish inspection after inside temperature becomes even after repeating compressor operation on and off more than three times.
- (3) When the compressor switch is turned off (Pilot lamp (25) goes off – see Article b.1.②) or the solenoid valve is turned off, measure inside temperature with the thermistor and confirm that it is within 0 ± 1°C (32°F ± 2°F).
- (4) Confirmation of other switches  
After having confirmed the compressor switch as stated in (3), operate the unit for a few minutes with its setting 0°C (32°F). When the compressor switch or the solenoid valve is turned off, confirm functioning temperature of each switch when the temperature setting knob (5) is turned by reading temperature indicated by the red line on the knob.
- (5) Confirm functioning temperature in the following order. Turn the temperature setting knob as stated below.
  - (a) Gradually raise temperature from -10°C (-14°F).
  - (b) Gradually decrease temperature from +10°C (+50°F).
- (6) Confirm that functioning temperature of each switch (by pilot lamp (25)) becomes as tabulated below by doing as stated in the above (a) and (b).

		Temperature setting														
Name	Temp.	-7	-6	-5	-4	-3	-2	-1	0°F	1	2	3	4	5	6	7
		-4	-3	-2	1	0°C	1	2	3	4						
a	COMP.			ON					OFF (0°C)				OFF			
	IN RANGE	OFF		ON (-2.5°C)			ON						OFF (3.6°C)			OFF
	HEATER				OFF						ON (1.5°C)				ON	
b	COMP.			ON			ON (-1.1°C)					OFF				
	IN RANGE	OFF	OFF (-3.6°C)				ON					ON (2.5°C)			OFF	
	HEATER			OFF					OFF (0.4°C)				ON			

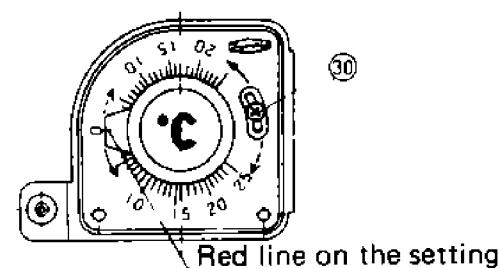
## Notes:

1. Tolerance of switch function is  $\pm 1^{\circ}\text{C}$  ( $\pm 2^{\circ}\text{F}$ ) (Based on Comp. switch is turned OFF, and  $0^{\circ}\text{C}$ )
2. In case confirmation (b) is accomplished in succession of (a), wait until inside temperature becomes stable by operating the unit with inside temperature setting at  $0^{\circ}\text{C}$  ( $32^{\circ}\text{F}$ ), as inside temperature is raised in the process of confirmation (a).
3. For confirmation of function of the MANUAL switch and the fixed switch for HEATER, manipulate the temperature setting knob up and down when inside temperature is  $-10^{\circ}\text{C}$  ( $14^{\circ}\text{F}$ ).
  - When the knob is pressed downward, the MANUAL switch and the switch for HEATER is turned OFF from ON at  $-6.5 \pm 1^{\circ}\text{C}$  ( $20 \pm 2^{\circ}\text{F}$ ).
  - When the knob is pressed up, the MANUAL switch and the switch for HEATER is turned ON from OFF at  $-4.5 \pm 1^{\circ}\text{C}$  ( $24 \pm 2^{\circ}\text{F}$ )

## ② Adjusting method

If functioning temperature differs with temperature setting, adjust as stated below.

- (1) Set the setting knob at  $0^{\circ}\text{C}$  ( $32^{\circ}\text{F}$ ) and put the unit into refrigeration operation. After inside temperature becomes even, accurately measure inside temperature with the thermistor when the compressor switch or the solenoid valve is turned OFF.
- (2) Loosen the fine temperature control adjusting screw (30) and move the screw along the longitudinal hole as shown on the right, and then the red line on the setting knob moves accordingly. Set the red line at the temperature measured as in (1), and carefully tighten up the adjusting screw (30). (When the setting knob is tightened up, note it does not move) (Ex. When storage temperature setting is  $0^{\circ}\text{C}$ , if actual storage temperature is  $0^{\circ}\text{C}$  when the compressor switch (or the solenoid valve) is turned OFF, set the red line of the setting dial at  $1^{\circ}\text{C}$ .)
- (3) After completion of adjusting, inspect the unit in accordance with Article c.1. ①



## 2. Recording part

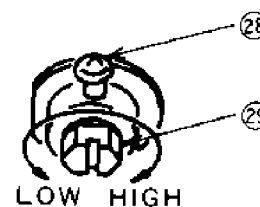
### ① Inspection points

Inspect the following recording part after having inspected and adjusted the electronic controller as stated in Article c.1.

- (1) Set the setting knob at  $0^{\circ}\text{C}$  ( $32^{\circ}\text{F}$ ), and put the unit in the refrigeration operation, and then confirm that inside temperature becomes equal to  $0^{\circ}\text{C}$  ( $32^{\circ}\text{F}$ ). Then confirm that indication temperature of the pen is  $0^{\circ}\text{C}$  ( $32^{\circ}\text{F}$ ) immediately after the compressor switch (or the solenoid valve) is turned off.

### ② Adjusting method

- (1) Accomplish adjustment in succession of the inspection described in Article c.1. ①
- (2) Adjustment is accomplished by turning the temperature setting screw (29). Loosen the lock screw (28) and turn the setting screw (29) clockwise so that temperature setting is approximately under  $5^{\circ}\text{C}$  ( $41^{\circ}\text{F}$ ). Then, turn the setting screw (29) counterclockwise to reduce temperature indication of the pen to  $0^{\circ}\text{C}$  ( $32^{\circ}\text{F}$ ) (In case of short period operation, down to  $0.5^{\circ}\text{C}$  ( $33^{\circ}\text{F}$ ). Then, tighten up the lock screw (29) after adjustment.)



## Notes:

1. A turn of the setting screw (29) changes temperature indication by approx.  $5^{\circ}\text{C}$  ( $9^{\circ}\text{F}$ ).
2. Temperature indication may be changed a little when the lock screw (28) is tightened up.

d. Replacement of parts

(Note: Replace parts after turning off the power source)

1. Before replacing other parts, removing method of the internal device assembly is explained.

- (1) Remove the recording plate from the body (1) (See Article b.2.④) When it is removed, it looks as shown in Fig. 3. In this state, sensor, timer, remaining voltage indicator and battery and dry battery are replaced.
- (2) Remove the internal device assembly. Loosen four hexagonal nuts (11) and screws (46) and remove the internal device assembly from the main body (1) and turn it back. Then it looks as shown in Fig. 4.

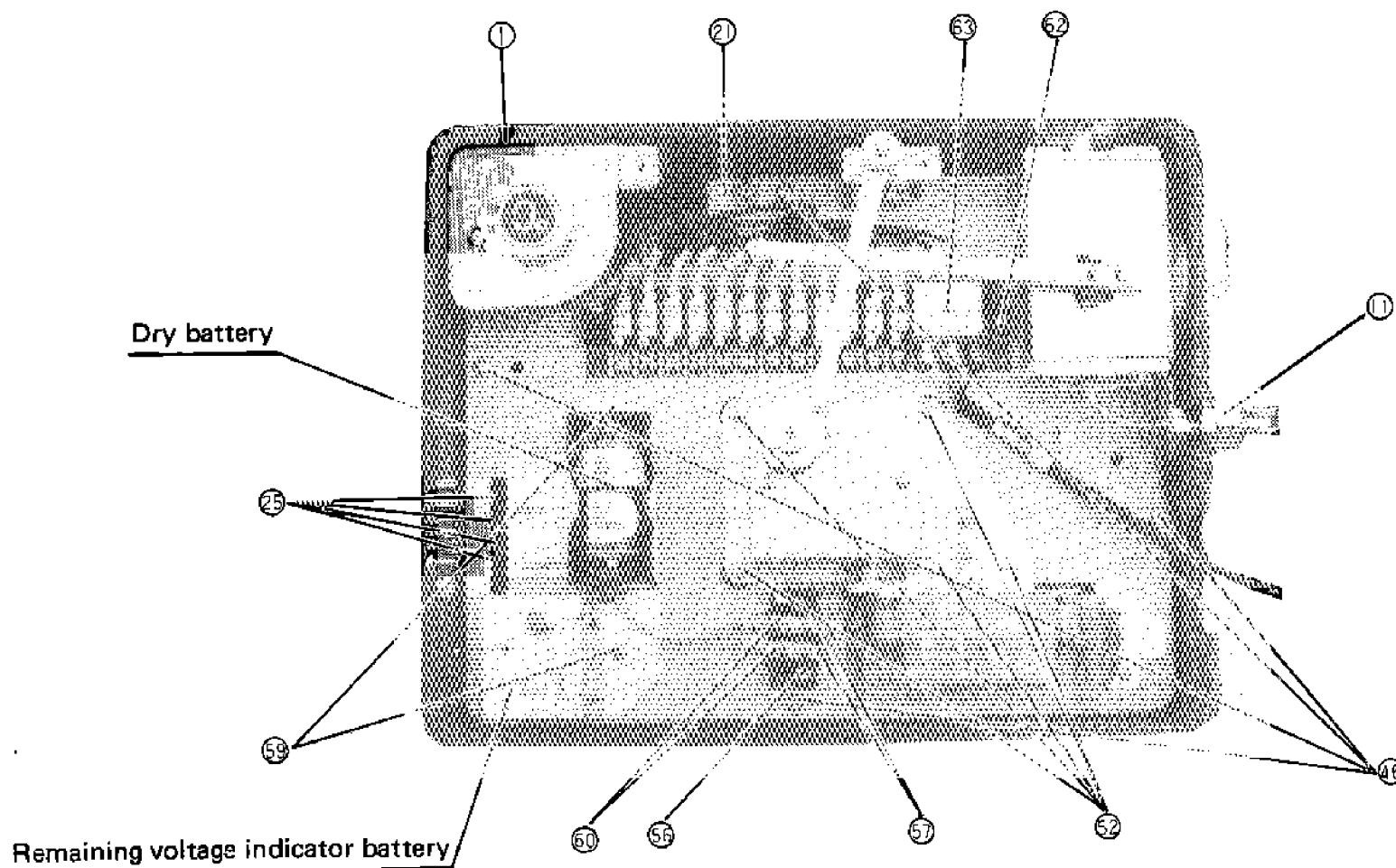


Fig. 3 Internal structure

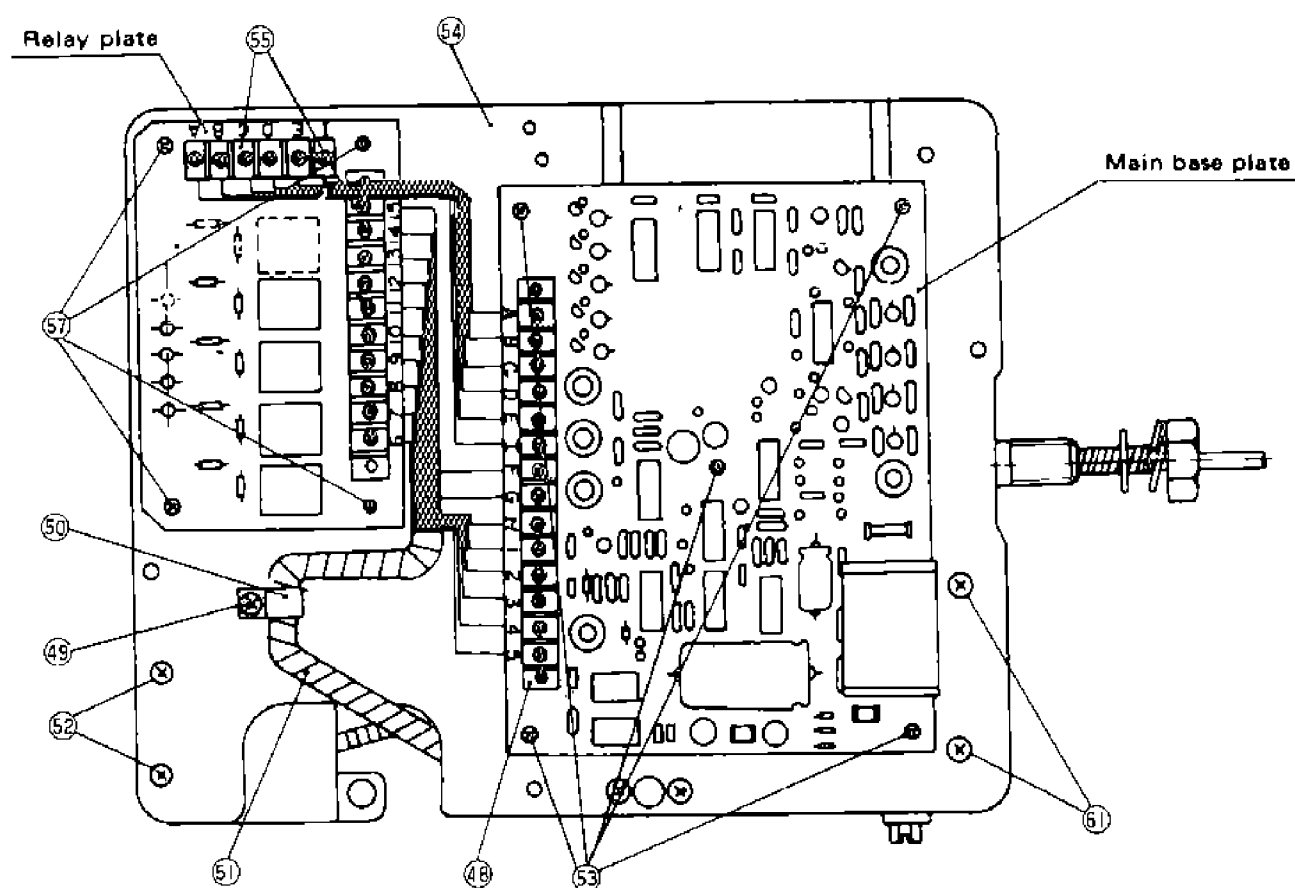


Fig. 4 Internal device assembly

## 2. Electronic controlling parts

### ① Volume setter

#### (1) Replacing standards

- In case functioning volume of the compressor switch cannot be adjusted as stated in Article c.1.②
- In case switches other than the compressor switch cannot be adjusted to function at the standard values.
- In case all the pilot lamps for functioning temperature do not light up although the power source switch is turned on. (If this phenomenon takes place, confirm the function of sensor in accordance with Article d.2 ④ and if no trouble is found with the sensor, apply this)
- In case switch function remains unchanged although setting of the volume setter is changed by the adjusting knob.

In the case of the above phenomena, measure resistance of the volume setter (in accordance with Article 2) and if it is out of the predesigned volume, replace the volume setter with a new one. If it is within the predesigned value, the main base plate must be out of order, so replace it in accordance with Article d.2.②

#### (2) Measuring resistance of the volume setter

- Adjust the volume setter as shown in Fig. 4 in accordance with Article d.1.
- Remove the lead wires (3 pcs, F. G. H.) which are laid from the volume setter from the terminal (48) (14P) on the terminal strip of the main base plate and measure resistance between G and H of the lead wires.
- Confirm that resistance between G and H is within the values tabulated below at the predesigned temperature.

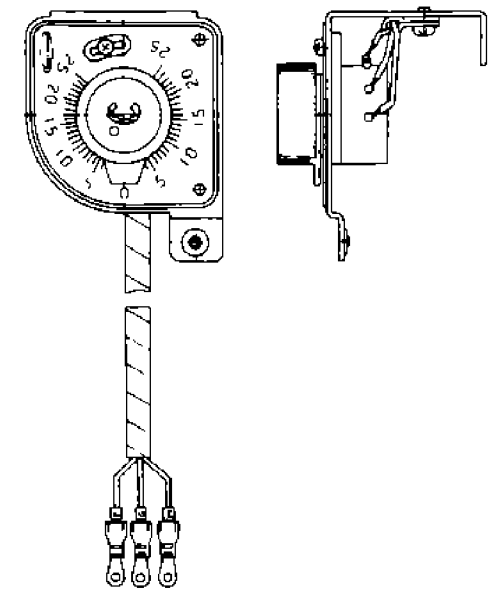


Fig. 5 Volume setter (WKM-AA005)

Temperature setting	Predesigned resistance
In case of $-25^{\circ}\text{C}$	162 ~ 198 $\Omega$
In case of $0^{\circ}\text{C}$	2250 ~ 2750 $\Omega$
In case of $25^{\circ}\text{C}$	4132 ~ 5033 $\Omega$

#### (3) Replacing points

- In case resistance is out of the predesigned value, replace the volume setter.
- From the state of the volume setter as shown in Fig. 4, loosen screw (49), remove power source plug (50), remove the spiral tube (51) from the wires. Then remove two screw bolts (52) and the volume setter can be removed from the base (54).
- After replacing the volume setter with a new one, inspect and adjust it in accordance with Articles c.1. ① and c.1. ②



② Main base plate

(1) Replacing standards

- In case the volume setter shows the phenomena as stated in Article d.2. ① Replacing standards and yet it has no trouble or the same phenomena take place after replacing the volume setter.

(2) Replacing points

- Adjust the volume setter as shown in Fig. 4 in accordance with Article d.1.
- Remove the wires (14 pcs Nos A ~ H, 1 ~ 5) from the terminal strip (48) on the main base plate.
- Remove 5 screws (53) to remove the base (54) from the main base plate, so replace it with new one.

After replacement, inspect and adjust it in accordance with Articles c.1. ① and c.1. ②

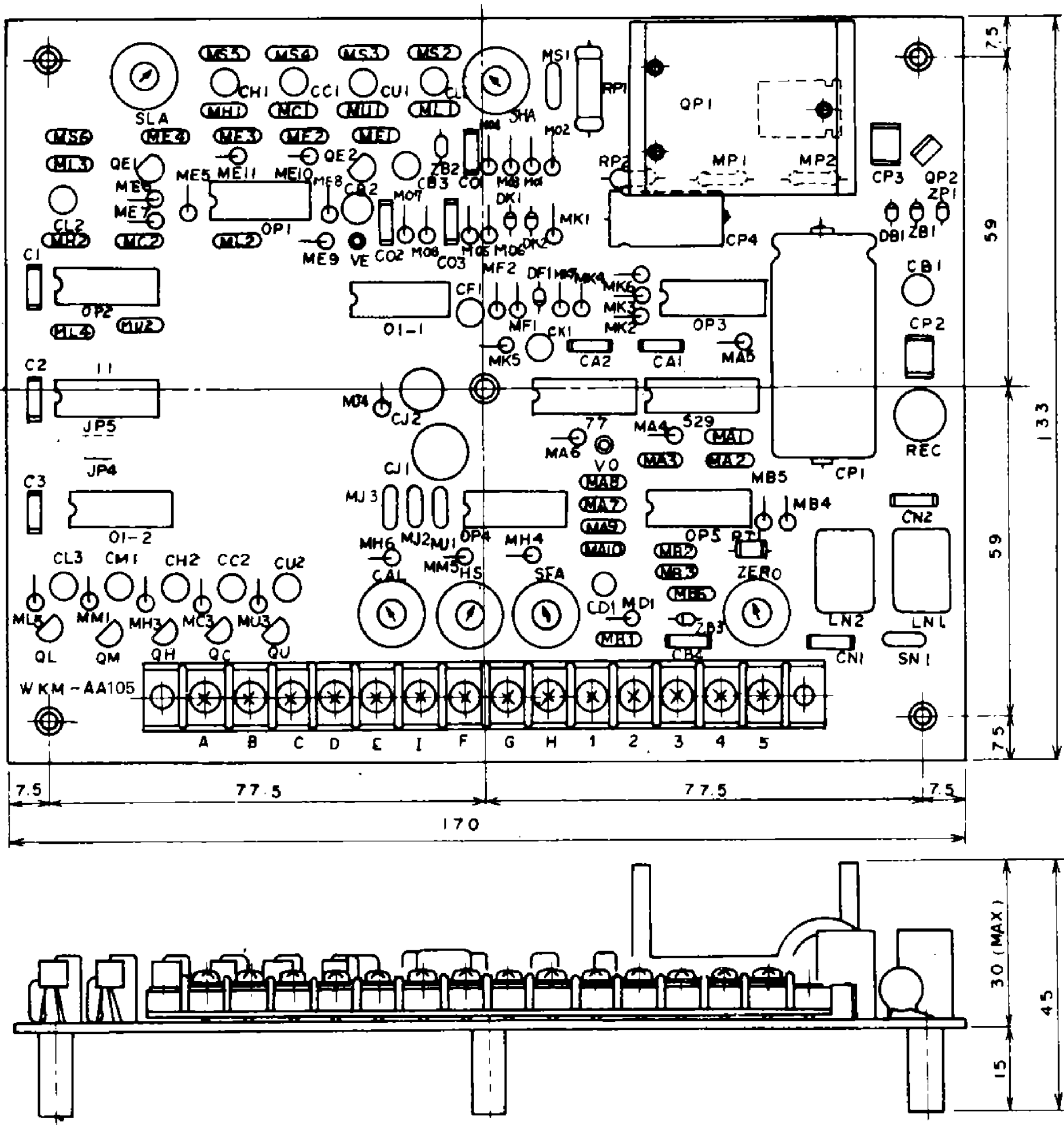


Fig. 6 Main base plate (WKM-AA105)

③ Relay base

(1) Replacing standards

- The pilot lamp for functioning temperature lights on and off, but the switch does not come into operation.

(2) Replacing points

- Adjust it as shown in Fig. 4 in accordance with Article d.1.
- Remove the wires (16 pcs No. A ~ E, I, 6 ~ 15) from the terminal strip (55) on the relay base plate.
- Loosen four screws (57), and the relay base plate can be removed from the base (54). So replace the relay base plate with a new one.
- Check the pilot lamp and the switch for their functions after replacement.

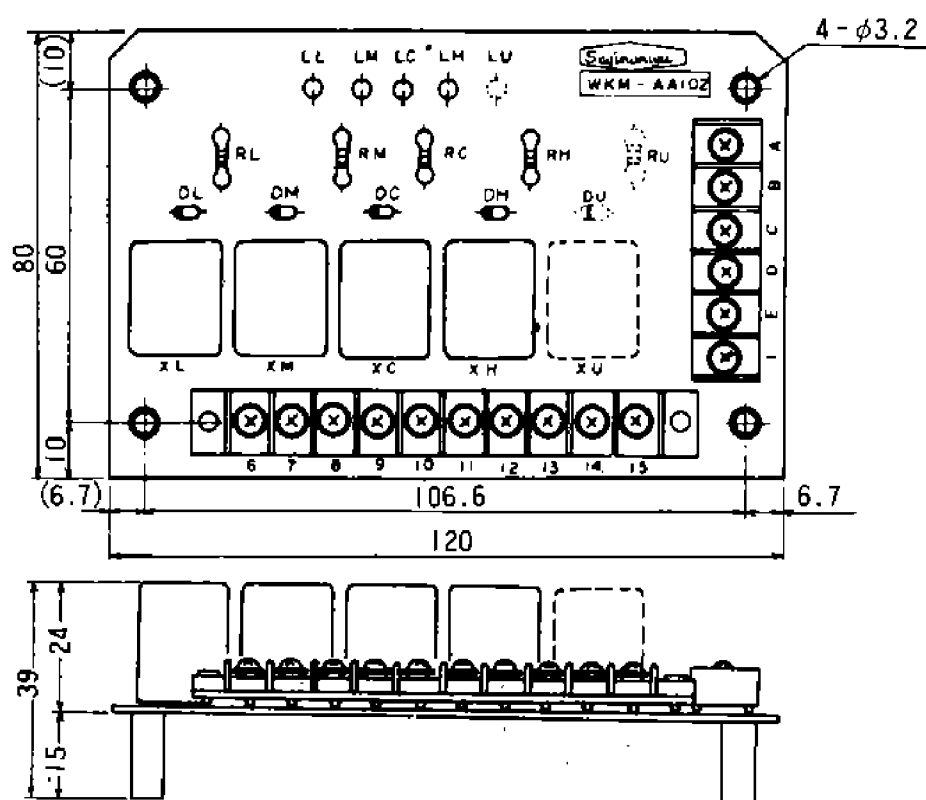


Fig. 7 Relay plate (WKM-AA102)

**Note:** Lay the wiring correctly in accordance with Fig. 8 when the main base plate and the relay plate are replaced.

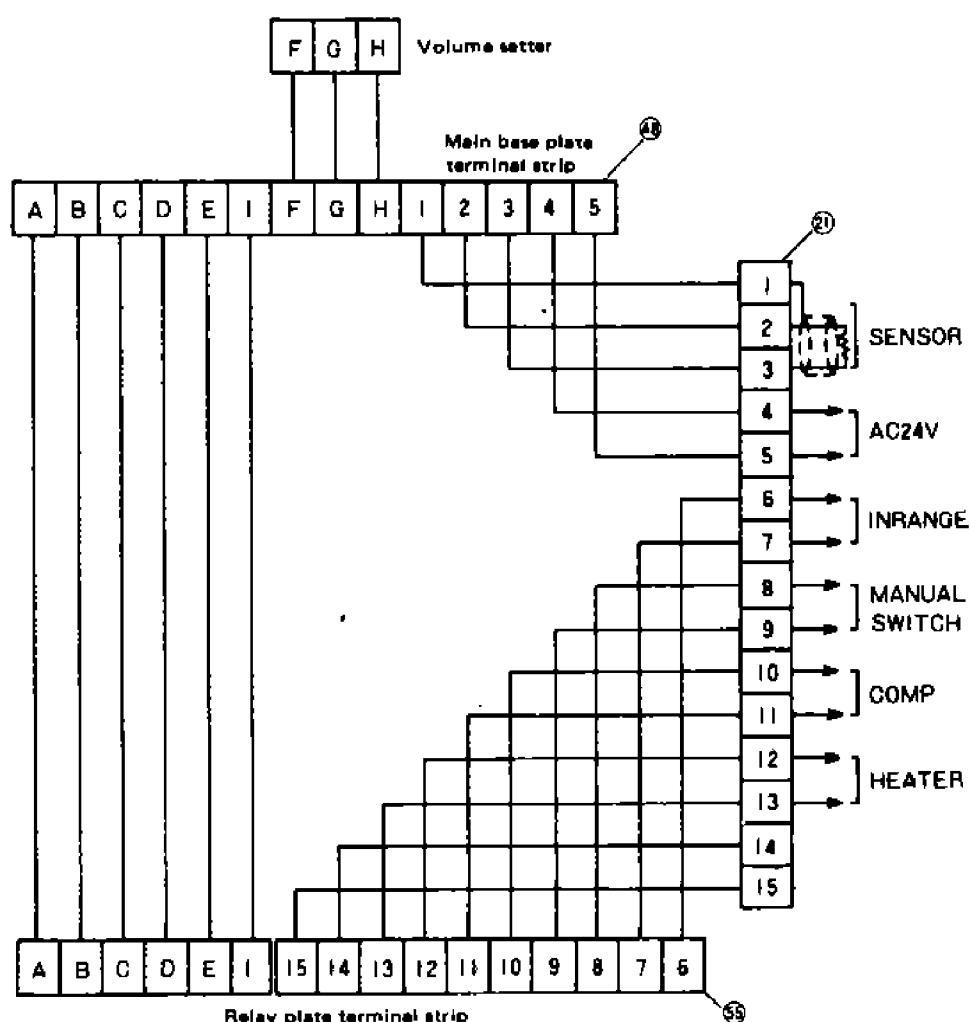


Fig. 8 Internal wiring diagram

#### ④ Sensor

##### (1) Replacing standards

- In case the pilot lamps for functioning temperature (25) remain unlit although the power source is turned on.
- In this case, turn the temperature setting knob within  $+25 \sim -25^{\circ}\text{C}$  and confirm that the pilot lamps light up. If one of the pilot lamps lights up, the sensor is correct. In case all the lamps remain unlit, measure resistance of the sensor as follows.
- Remove the recording board, (state shown in Fig. 3). Loosen the screws (62) to remove protection board for impressed voltage (63) loosen terminal screws (Nos. 1 to 3) on the terminal strip (21) and remove the wiring. Then, measure temperature of the feeler part and resistance of the sensor and compare them with the characteristics of temperature resistance shown in Fig. 10, and if they do not accord with them, replace the sensor. If they accord, the main base plate or the volume setter is out of order. So replace it in accordance with Articles d.2. ① and d.2. ②

##### (2) Replacing method

- Since numbers (1, 2, 3. . .) are described on the sensor lead wires, so connect them to the terminals having the same number on the terminal strip (21).
- After replacement, inspect and adjust the sensor in accordance with Articles c.1. ① and c.1. ②

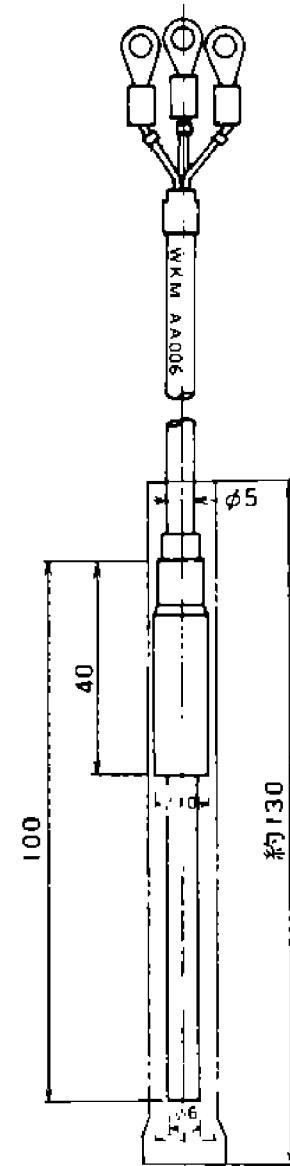
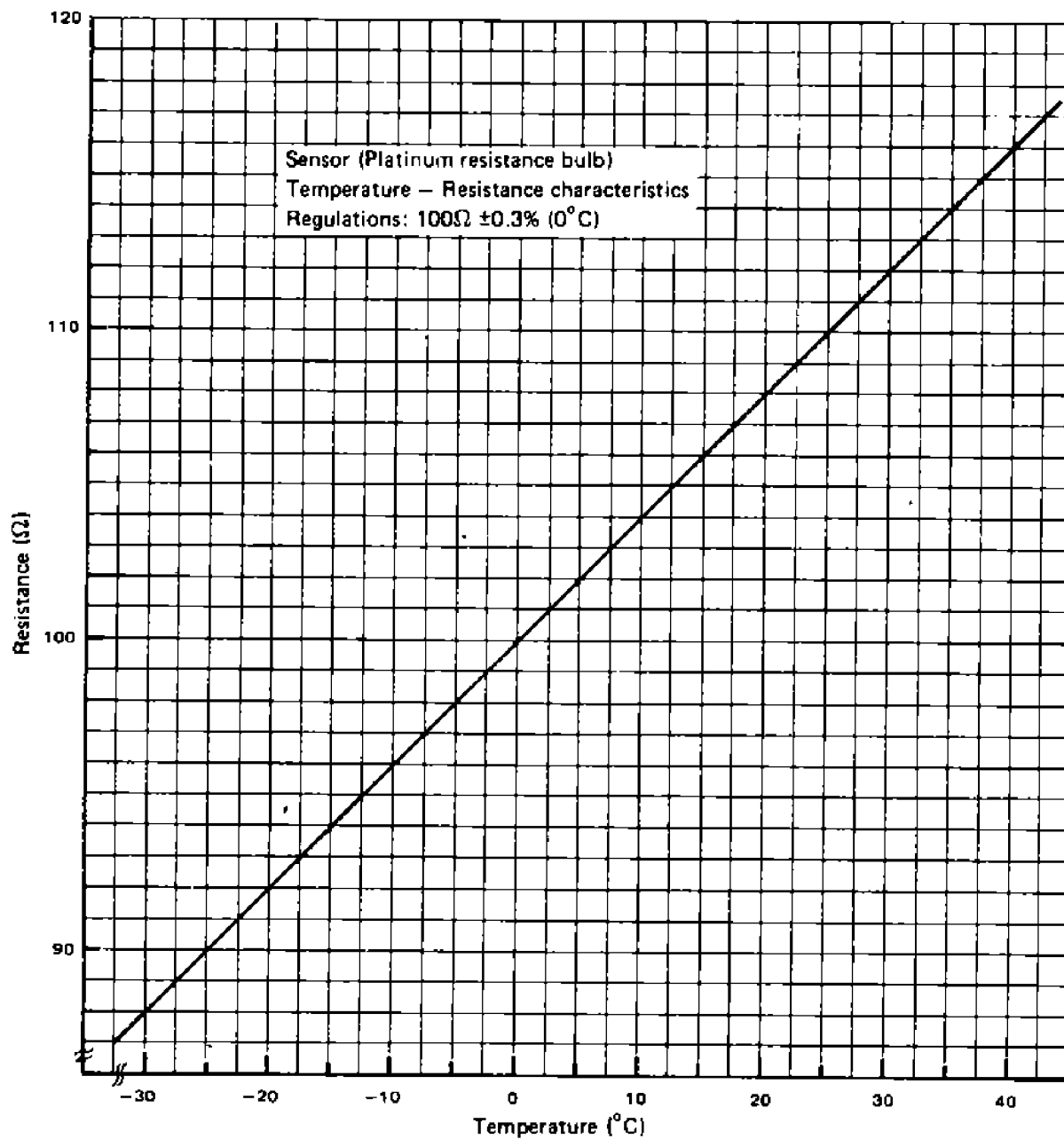


Fig. 9 Sensor (WKM-AA006)

Fig. 10

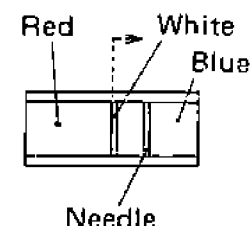


### 3 Recording part

#### ① Dry battery

##### (1) Replacing standards

- According to Articles b.2. ③ confirm remaining voltage of a dry battery. If the needle of the indicator is out of the blue zone, replace the battery. (In case the indicator needle is within the white zone or above the dotted line in the figure on the right, life of battery may last approximately a month)



Remaining V indicator

##### (2) Replacing method

- Replace the recording board, and insert a battery so as not make a mistake in polarity as in the state of Fig. 3 (Fig. 3 shows polarity of a battery). It is advisable to use a battery similar to SUM-2 of JIS C8501 and R14 of IEC. (Dry battery DC1.5V)
- After replacement, confirm that the remaining voltage indicator is still within the blue zone and also confirm that the motor is running.

#### ② Remaining voltage indicator battery

##### (1) Replacing standards

- In case oscillation of the needle is unstable when the push switch is pressed down for confirmation of remaining voltage.
- In case the remaining voltage indicator needle is within the white zone or in the red zone, although a new battery is set in.

##### (2) Replacing method

- Remove the recording board (state shown in Fig. 3). Loosen two screw bolts (59) and two screw bolts (60), and the remaining voltage indicator battery can be removed from the indicator body. So replace it with a new battery.
- When replacing, connect the wires to the terminal strip (53) in a way red wire to red and black wire to black.
- After replacing, insert a dry battery and then confirm that the needle of the remaining voltage indicator is within the blue zone and the quartz motor is running.
- Battery is to be replaced every 12 months.

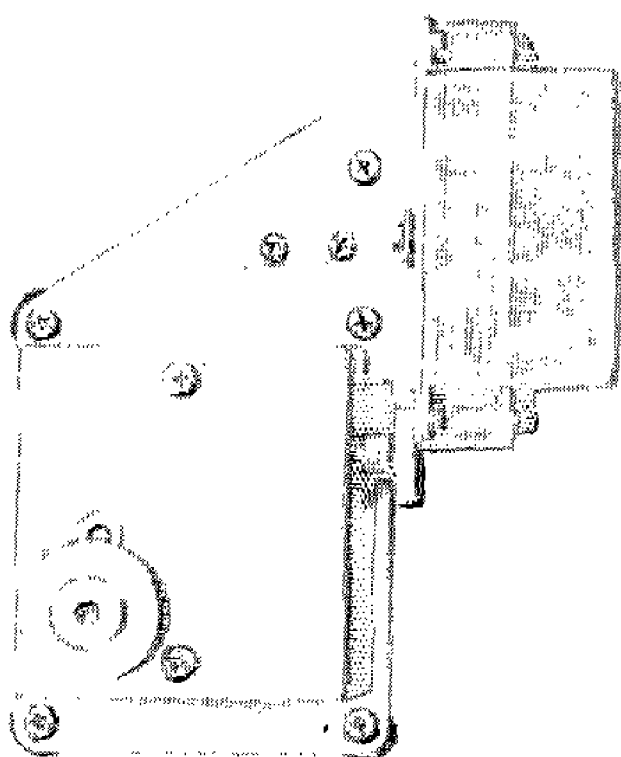
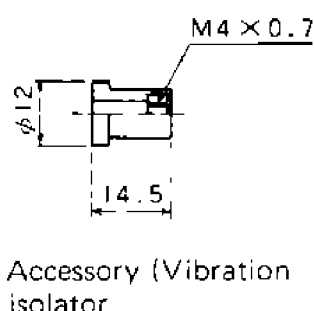


Fig. 12 Timer (Quartz motor reducing gears) (WKM-AA012)



Accessory (Vibration isolator)

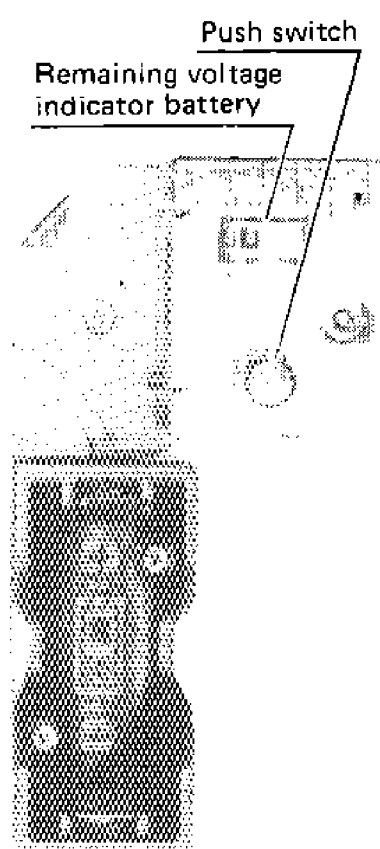


Fig. 11 Remaining voltage indicator - Battery (WKM-AA013)

③ **Timer (Quartz motor reducing gears)**

(1) Replacing standards

- Although remaining voltage of dry battery is correct (confirmed in accordance with Article b.2. ③) the quartz motor does not start.
- In case time delay is over 3 hours per day.

(2) Replacing method

- Remove the recording board (state shown in Fig. 3). Loosen two screw bolts (57) from the terminal strip (56) to remove the wires. Then remove five screw bolts (58) to replace the timer with a new one.
- When replacing the timer, replace the attached vibration isolators (5 pcs) at the same time. The red wires are for + current and the black wires – current. Connect the wires to the terminal strip (56) in a way that red wires are connected to red and the black wires to black. Tightening torque for vibration rubber is 4 ~ 5 kg-cm.
- After replacement, confirm that the quartz motor is running.

④ **Feeler tube – element**

(1) Replacing standards

- After having adjusted the recording part in accordance with Article c.2. ②, operate the unit with temperature setting within  $-18 \sim +10^{\circ}\text{C}$  ( $-0.4 \sim 50^{\circ}\text{F}$ ). If temperature indication differs from temperature setting by over  $2^{\circ}\text{C}$  ( $4^{\circ}\text{F}$ ) although inside temperature becomes stable to its temperature setting. (In case temperature indication is minus far from feeler tube temperature, gas may leak from the feeler tube)

(2) Replacing method

- Take out the internal assembly as stated in Article d.1. and turn it inside out, which is shown in Fig. 4.
- Loosen two screw bolts (61) to remove the feeler tube – element and replace it with new one.
- After replacement, inspect and adjust it in accordance with Article c.2.

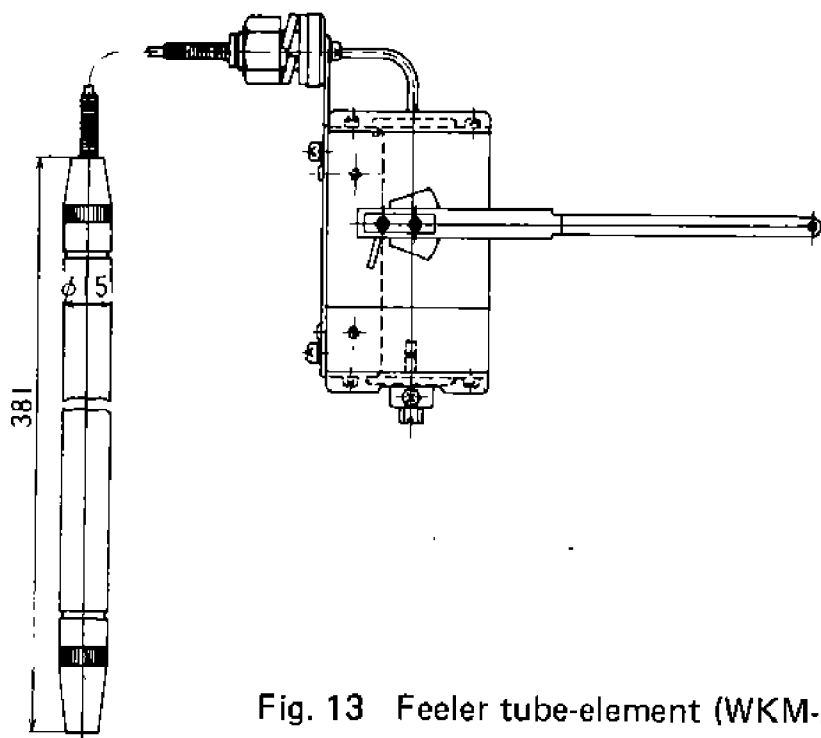
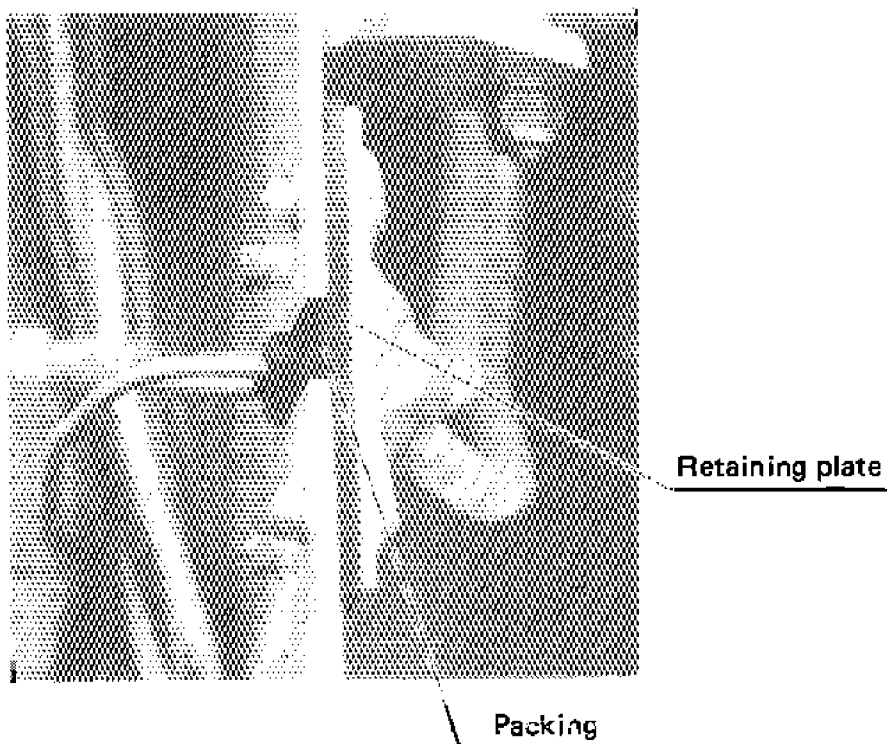


Fig. 13 Feeler tube-element (WKM-AA017)

e. **Caution for handling**

- (1) Be careful not to pull the sensor lead wires and capillary tube forcedly.
- (2) Do not bend the capillary tube with less than R50.
- (3) Do not give any impact to the sensing part of the sensor.
- (4) Do not give torque larger than 5 kg-cm onto the temperature setting knob.
- (5) Insulation test should be done with numbers from 4 to 15 on the terminal strip (21) (Fig. 3) Do not impress voltage on the sensor terminals of 1, 2 and 3.
- (6) After having replaced a recording paper, check that the pen holding arm is fixed (as shown with (3) located on the solid line on Fig. 1)
- (7) At the time of ex-factory, protection tube covers sensor as shown in Fig. 9 with dotted line to protect impact force.  
Remove the protection tube in operation, otherwise the unit does not control container temperature accurately.

- Note (MFG. No . 6300001~6300180)  
In case of fitting a capillary set plate and a packing,  
be sure not to stand out them from the edge of a  
control box.



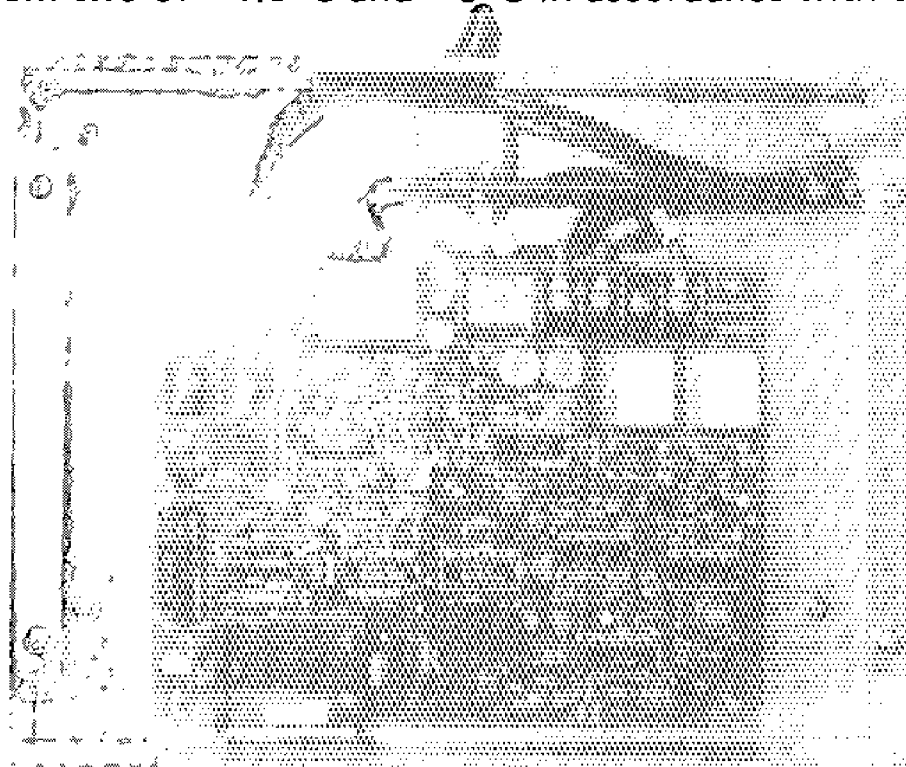
**f. Trouble and countermeasures**

If the unit is out of order, trace a cause of trouble and take appropriate countermeasures.

State of trouble	Phenomenon	Cause of trouble (Proceed with from top to bottom)	Inspection	Countermeasures
1. Unit is inoperative	Pilot lamps for switches remain unit.	Power source (AC 24V) is not input.	Inspect power source.	
		Inside temperature is already dropped to its temperature setting.	Turn temperature setting knob within $-25 \sim +25^{\circ}\text{C}$	If lamps and relay function, there is no trouble with unit.
		Sensor is disconnected or short-circuited.	Measure resistance of sensor.	Replace volume setter.
		Trouble with volume setter.	Measure resistance of volume setter.	Replace volume setter.
		Trouble with main base plate.		Replace main base plate.
	Pilot lamps for switches light up (For comp.)	Trouble with relay palte.		Replace relay plate.
2. Relay functioning temperature incorrect	Functioning point of compressor switch cannot be adjusted or if it can be adjusted, functioning points of other switches get out of their standards.	Trouble with volume setter.	Measure resistance of volume setter.	Replace volume setter.
		Trouble with main base plate.		Replace main base plate.
3. Record paper does not rotates	Quartz motor is in operation.	Chart nut is not tightened up.		Tighten up chart nut.
	Quartz motor stops.	Dry battery is used up.	Check dry battery for remaining voltage.	Replace dry battery.
		Trouble with timer.		Replace timer.
4. Remaining voltage indicator is faulty	<ul style="list-style-type: none"> <li>● When push switch is pressed down, oscillation of indication needle is unstable.</li> <li>● Although new battery is mounted indication needle is within white or red zone.</li> </ul>	Trouble with remaining voltage indicator.		Replace remaining voltage indicator.
5. Time delay in recording paper	Time is delayed over 3 hours per day.	Trouble with timer.		Replace timer.
6. Recording temperature is wrong	Although recording temperature is adjusted at $0^{\circ}\text{C}$ , indication temperature is wrong when rechecking.	Trouble with feeler tube-element.		Replace feeler tube – element.

**4.3.2 Electronic delivery safety thermostat**

The delivery safety thermostat consists of the main component (printed circuit board) and sensor, and the main components is installed in the control box. The selecting switch of temperature setting of the delivery safety thermostat is fitted on the top of the main component, so that the temperature setting can be selected from two of  $-1.5^{\circ}\text{C}$  and  $-3^{\circ}\text{C}$  in accordance with the kind of cargoes.

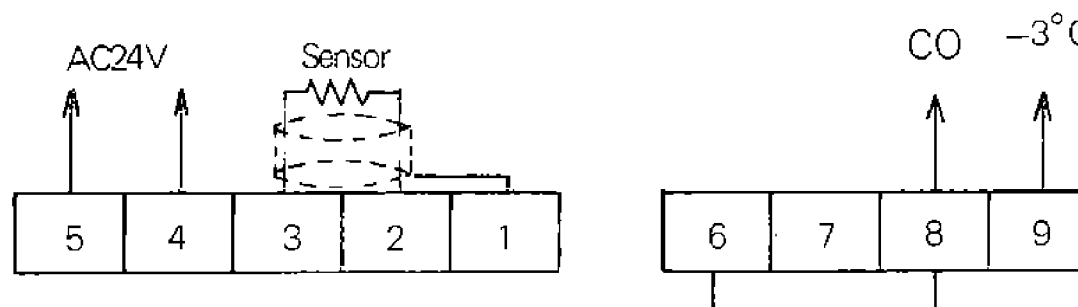


**1. Specifications**

- 1) Model WUE - A726 - ANP
- 2) Sensor Platinum - rhodium resistance bulb [ $0^{\circ}\text{C}$  ( $32^{\circ}\text{F}$ )  $100\ \Omega$ ]
- 3) Number of switches 2 ea
- 4) Switch functional chart

Temp. Switch	32°F						Remarks
	-3	-2	-1	0°C	1	2	
-1.5°C							
-3°C							

**5) External Wiring**



- 6) Insulation resistance 50 MΩ or more with DC 500V megger
- 7) Insulation strength for 1 minute with AC 500V

**Note:** Do not impress voltage on the sensor terminals 1, 2 and 3.



## 2. Inspection method

The delivery safety thermostat is fixed setting type and has been precisely set at factory. As for checking, do it as follows.

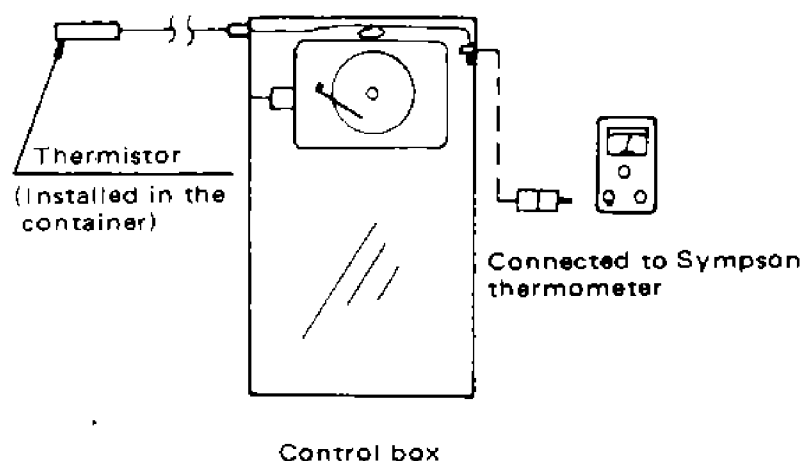
- (1) Set the recording temperature controller at 4°C (32°F), put the unit into refrigeration operation. Gradually raise the setting of the recording temperature controller, after inside temperature becomes even after repeating compressor operation on and off more than three times.
- (2) Measure the temperature of supply air by the thermistor of the supply side when the relay of the delivery safety thermostat functions.
- (3) If functioning temperature differs extremely with temperature setting, inspect it as below.

## 3. Trouble and countermeasures

State of trouble	Cause of trouble	Inspection	Countermeasures
Relay functioning temperature out of allowance.	Trouble with main component.		Replace main component.
	Trouble with sensor.	Measure resistance of sensor. (See chapter of sensor of electronic recording temperature controller)	
Relay does not function.	Power source (AC24V) is not input.	Inspect power source.	Replace main component.
Contactor of relay is not closed completely.	Trouble of main component. Trouble of relay.		

### 4.3.3 Thermistor for inside temperature

A thermistor is installed to the feeler tube of the temperature recording controller for measuring inside temperature of the same position. One end of the thermistor forms a connector which is located above the electric control box as shown on the right. Temperature at the feeler tube of the thermistor can be measured by connecting this connector to the thermometer.



The thermistor uses the following thermometer

Maker	Type	Temperature range
Simpson Electric Company (U.S.A.)	385-2	-50 ~ +70°F

#### Note: 1) Adjustment of Simpson thermometer

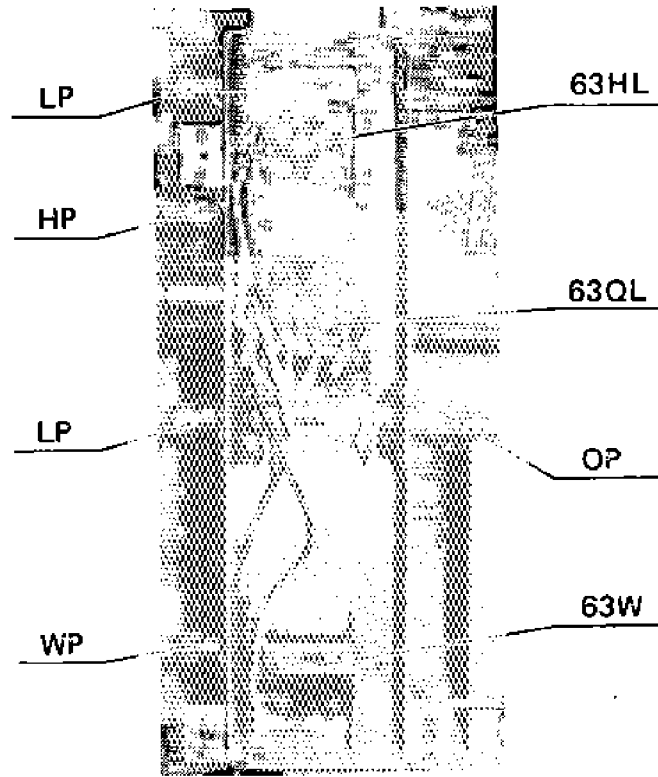
Turn the adjusting screw so that the meter indicator points as 0°C (32°F) when the change-over switch is set at READ in ice water whose temperature is stable at 0°C. Then set the change-over switch at ADJ and confirm that the indicator reading is 0°C (32°F). If it is not 32°F, remove the rear cover and adjust the adjusting screw located under the dry batteries to make the indicator point at 0°C (32°F).

- 2) A thermometer insertion hole is provided on center of the upper casing, and therefore, inside temperature (return air temperature) can be measured by using this hole.

**4.4 Description on electrical and functional parts.**

**4.4.1 Dual pressure switch (63HL)**

This stops the compressor when the pressure has risen or fallen excessively in the unit. The high pressure may rise above preset of HP if the condenser fan fails or cooling water does not circulate properly, etc. The low pressure may fall below preset of LP if "pump down" has been performed because the refrigeration circuit is clogged or the solenoid valves are closed. In these cases, the switch stops compressor.



Pressure switch box

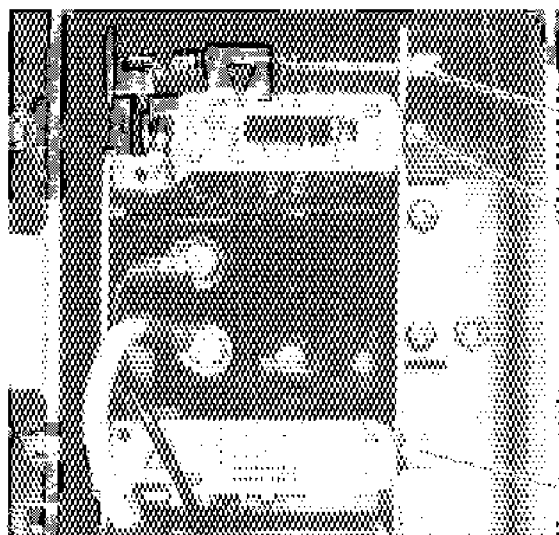
LP : Low pressure  
 HP : High pressure  
 OP : Oil pressure  
 WP : Water pressure

**(a) Adjustment method**

Adjust the switch by turning the adjusting screw as described below;

Adjusting points of dual pressure switch

	Adjusting screw	Rotary direction		Function
High pressure side	Setting of adjusting screw	Clockwise		Setting (OFF value) becomes high, and pressure at the stopping of the refrigeration unit becomes high.
		Counter-clockwise		Setting (OFF value) becomes low, and pressure at the stopping of the refrigeration unit becomes low.
Low pressure side	Setting of adjusting screw	Clockwise		Setting (ON value) becomes low, and pressure at the starting of the refrigeration unit becomes low.
		Counter-clockwise		Setting (ON value) becomes high, and pressure at the starting of the refrigeration unit becomes high.
	Setting of adjusting screw for differential	Clockwise		Pressure difference between ON and OFF becomes large and difference between pressure on the starting and on the stopping becomes large.
		Counter-clockwise		Pressure difference between ON and OFF becomes closer and difference between pressure on the starting and on the stopping becomes closer.

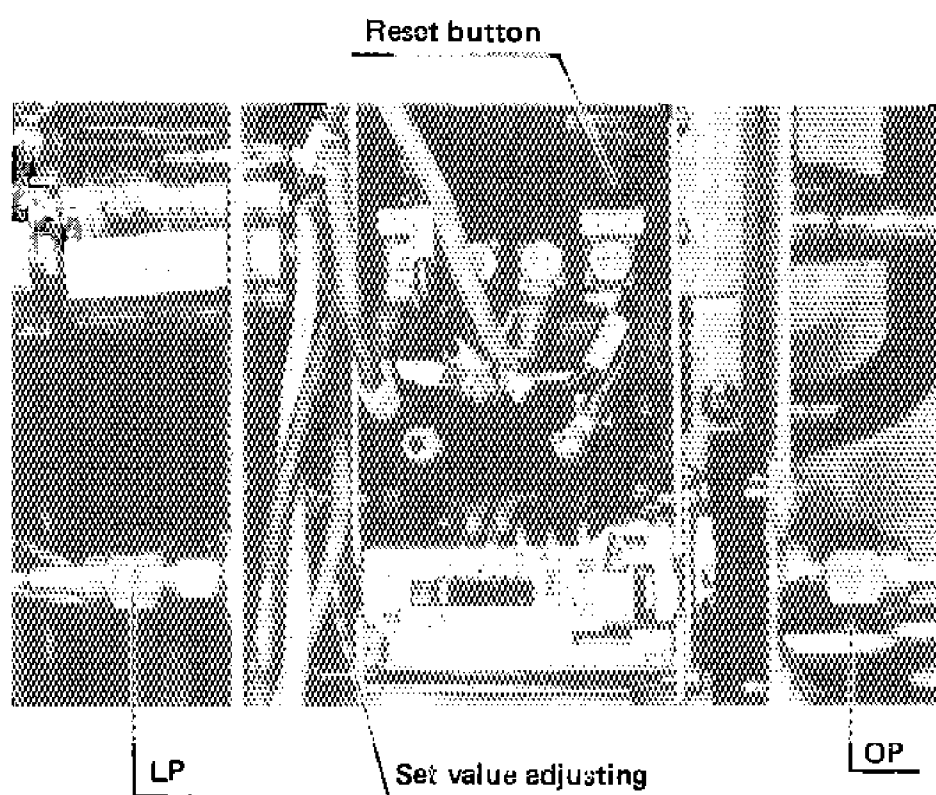


- Notes:**
- 1) If it is necessary to adjust the adjusting screw for differential, be sure to adjust pressure setting first and then adjust differential.
  - 2) After adjusting the adjusting screw, apply chemical to the bolt head to prevent the bolt from being loosened vibration.

**4.4.2 Oil pressure protection switch (63QL)**

Oil pressure (difference between oil pressure and low pressure) falls due to oil pump failure, clogging and oil foaming.

This stops the compressor automatically when oil pressure continuously remains low, because the compressor may be burnt because of oil shortage.

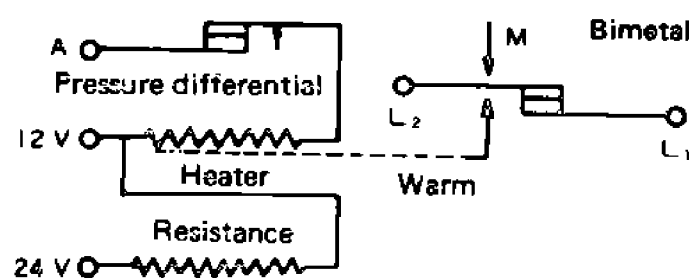


**(a) Operation**

The oil pressure (pressure difference) normally rises when the compressor has started. If the pressure does not rise, power will be supplied to the heater of a timer and a bimetal operate after a preset interval, thereby stopping the compressor will stop.

**Note:** Timing device is affected by ambient temperature and its set period differs with ambient temperature. (Standard temperature 25°C)

Ambient temperature	Set period
Higher	Shorter
Lower	Longer



Electric wiring in oil pressure protection switch

**(b) Resetting**

If 63QL has operated, depress the reset button several minutes after when the compressor stops. (The button will not be reset unless the bimetal is cold.)

**(c) Adjustment method**

Adjust the oil pressure protection switch by turning the adjusting gear as described below.

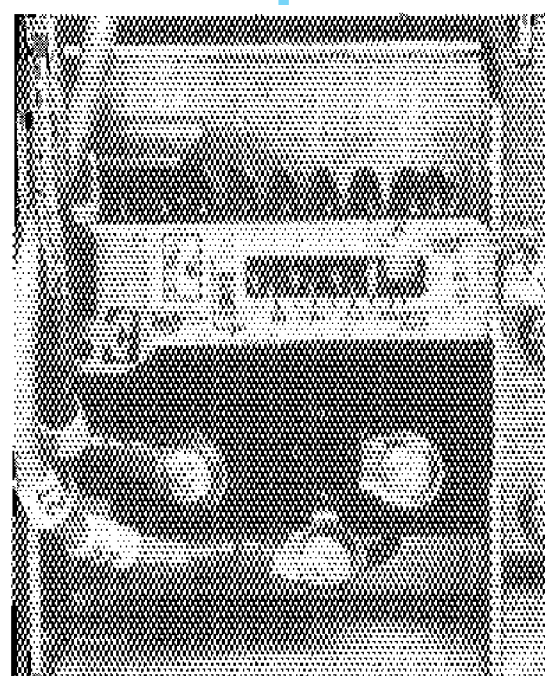
Adjusting points for oil pressure protection switch

Adjusting gear	Turning direction		Function
Adjusting gear for settings	Clockwise		Functional pressure (differential) becomes low and heater circuit is disconnected with low pressure difference.
	Counter-clockwise		Functional pressure (differential) becomes high and heater circuit is disconnected with high pressure difference.

**Note:** The following turning directions are viewed from the low pressure connection side.

**4.4.3 Water pressure switch (63W)**

This switches over air and water cooled modes. If cooling water flows and water pressure rises above a preset water pressure at the inlet, the contact is turned off to stop the condenser fan motor and water cooled operation will start.



Adjusting screw for setting

**(a) Adjusting method**

Turn the adjusting screw as stated below.

Adjusting points of water pressure switch

Adjusting screw	Turning direction		Function
Adjusting screw for setting	Clockwise		Setting (OFF value) becomes low, and fans stops quicker
	Counter-clockwise		Setting (OFF value) becomes high, and fan is delayed in stopping.

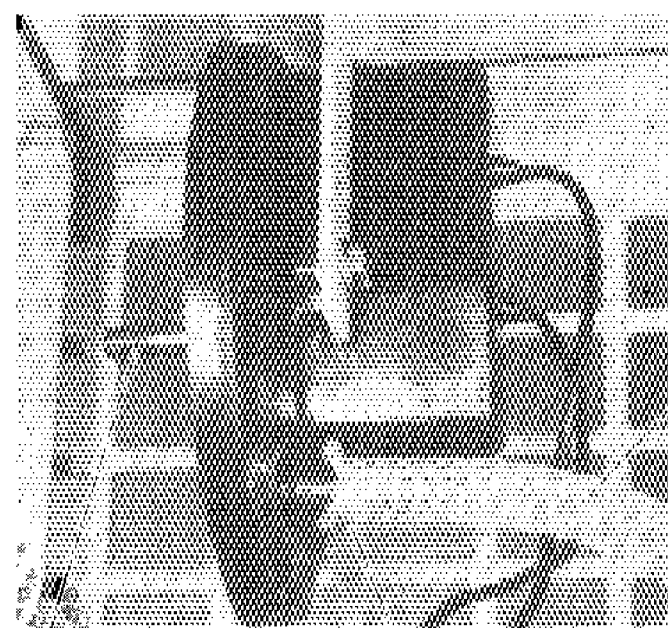
**Note:** After the adjustment, be sure to apply the chemical to the bolt head to prevent it from being loosened due to operation vibration.

**4.4.4 Air pressure switch (63DA)**

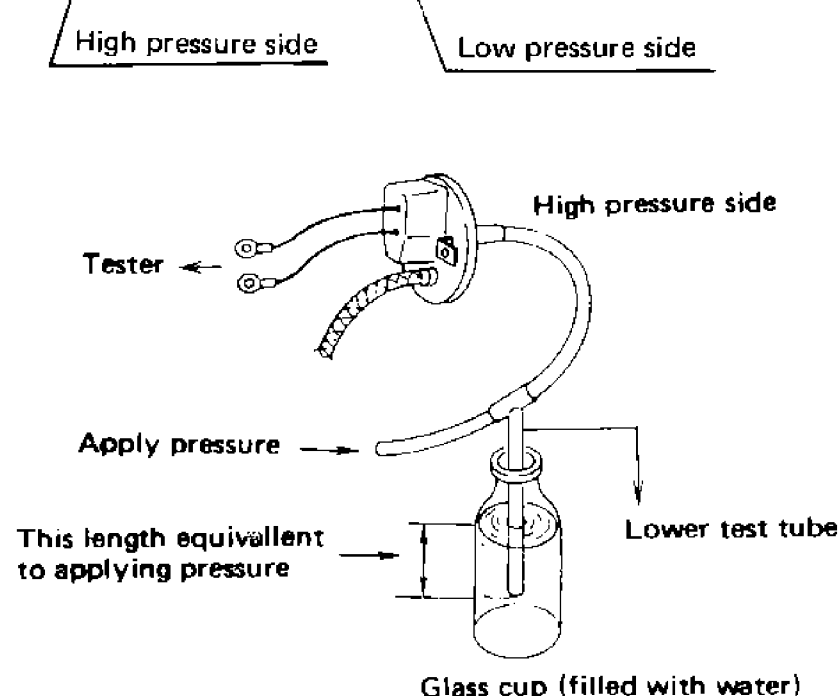
If the evaporator is frosted, difference of the air pressures at the inlet and outlet of the evaporator becomes large. If the pressure difference rises above a preset value, the air pressure switch operates and defrosting will start.

**(a) Checking operating value**

- Set the checker device as shown on the right.
- Applying pressure to the high pressure side, lower the test tube slowly. (At this time, small bubbles must come out at the bottom of the tube.)
- Read the length of H (length of the tube which is below the water surface) when the tester indicates continuity. The operating point of the air pressure switch is the value of H plus 5 mmH<sub>2</sub>O. Check this value a few times.
- To apply pressure, you may blow air into the tube. Alternative methods use a pump, APS tester, or manometer.



Air hose



**4.4.5 Defrost termination thermostat (23D)**

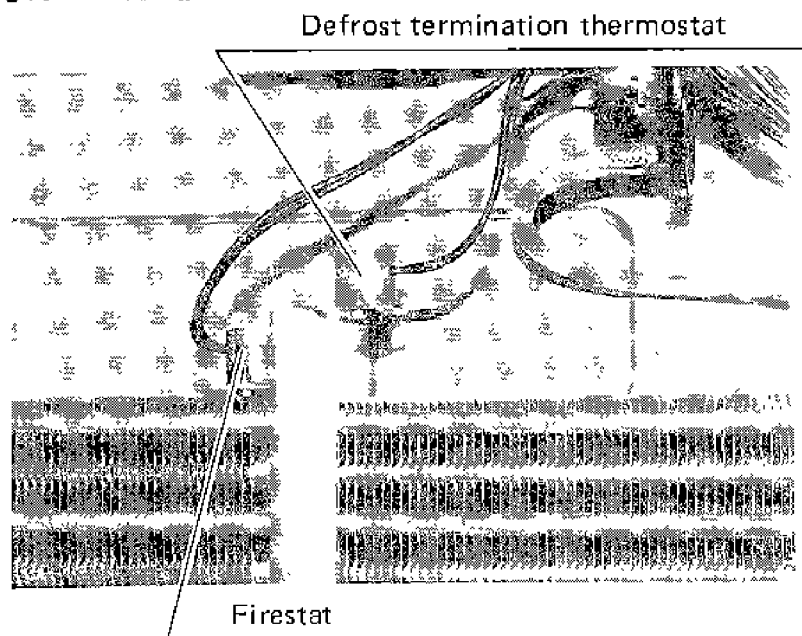
This senses ambient temperature around the thermostat and will terminate defrosting.

- Applied for (MFG. No. 6500242 ~ )
  - OFF: 40°C
  - ON : 20°C
- Applied for (MFG. No. 6300001 ~ 6400241)
  - OFF: 7.2°C
  - ON: 1.7°C

**4.4.6 Firestat (26AH)**

This prevents the electric heaters from overheating. If the heaters is overheated, the ambient temperature around the thermostat rises and the thermostat cuts off the heaters.

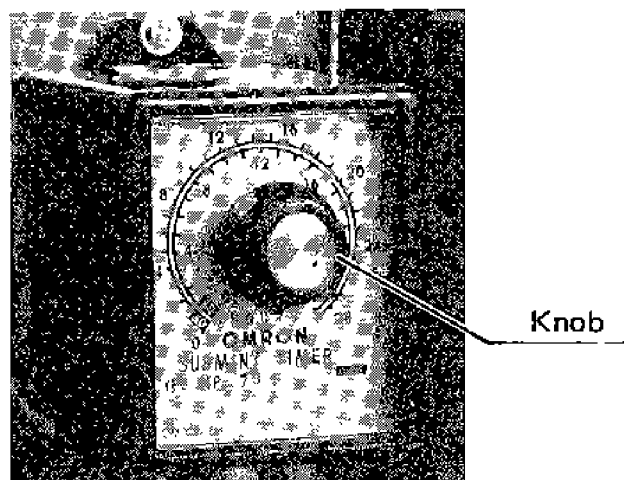
- OFF: 71°C
- ON : 49°C



**4.4.7 Defrost timer (2D)**

The defrost timer activates defrosting operation forcedly in preset intervals. The timer setting is determined freely with a knob. However, do not adjust it while operating, or do not set to "0" (hr) it may cause trouble or erratic operation.

- Setting value:
  - 12 hours (60 Hz)
  - 14½ hours (50 Hz)
- Once power has been turned off, the timer is reset to the initial state.



**4.4.8 Electric heaters**

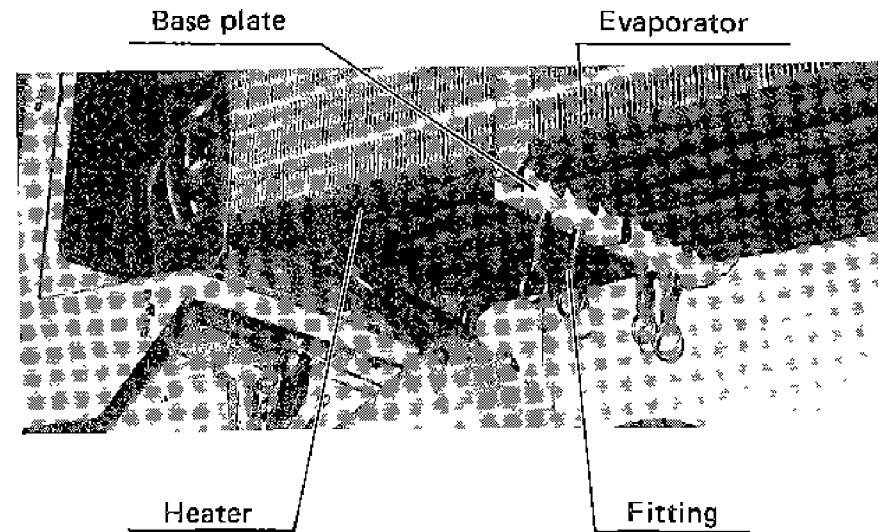
Two kinds of electric heaters are used.

**(a) Sheathed heaters (220V AC, 0.65 kW x 6)**

These are fitted at the bottom of the evaporator.

H1 through H6 are used for defrosting and heating

To replace them, lift the fittings up and remove them together with the base plate.

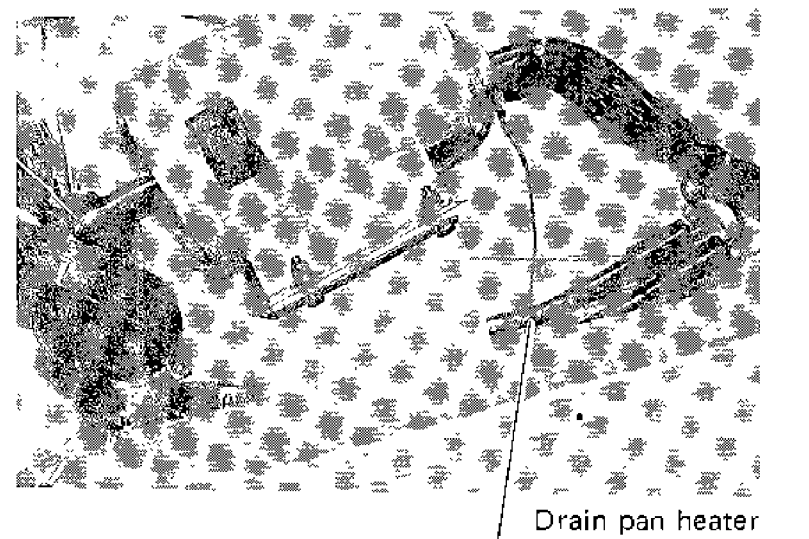


**(b) Sheathed heater & Molded heaters**

These are fitted at the left and right of the drain pan to prevent the drain port from freezing (H7 and H8).

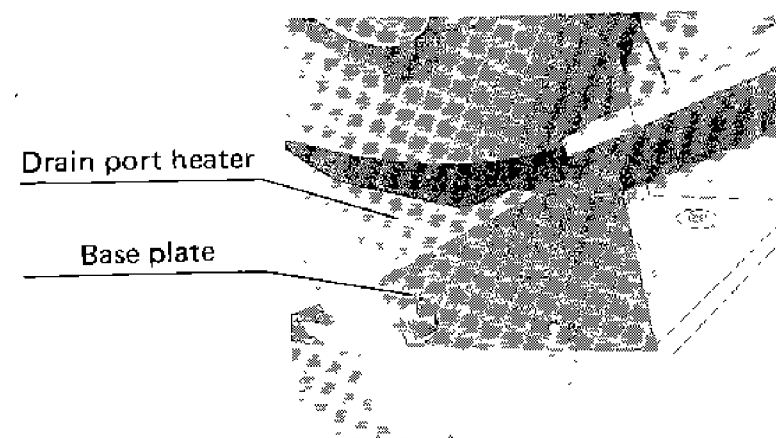
- Applied for (MFG. No. 6400181 ~ )

(AC220V 300W x 2)

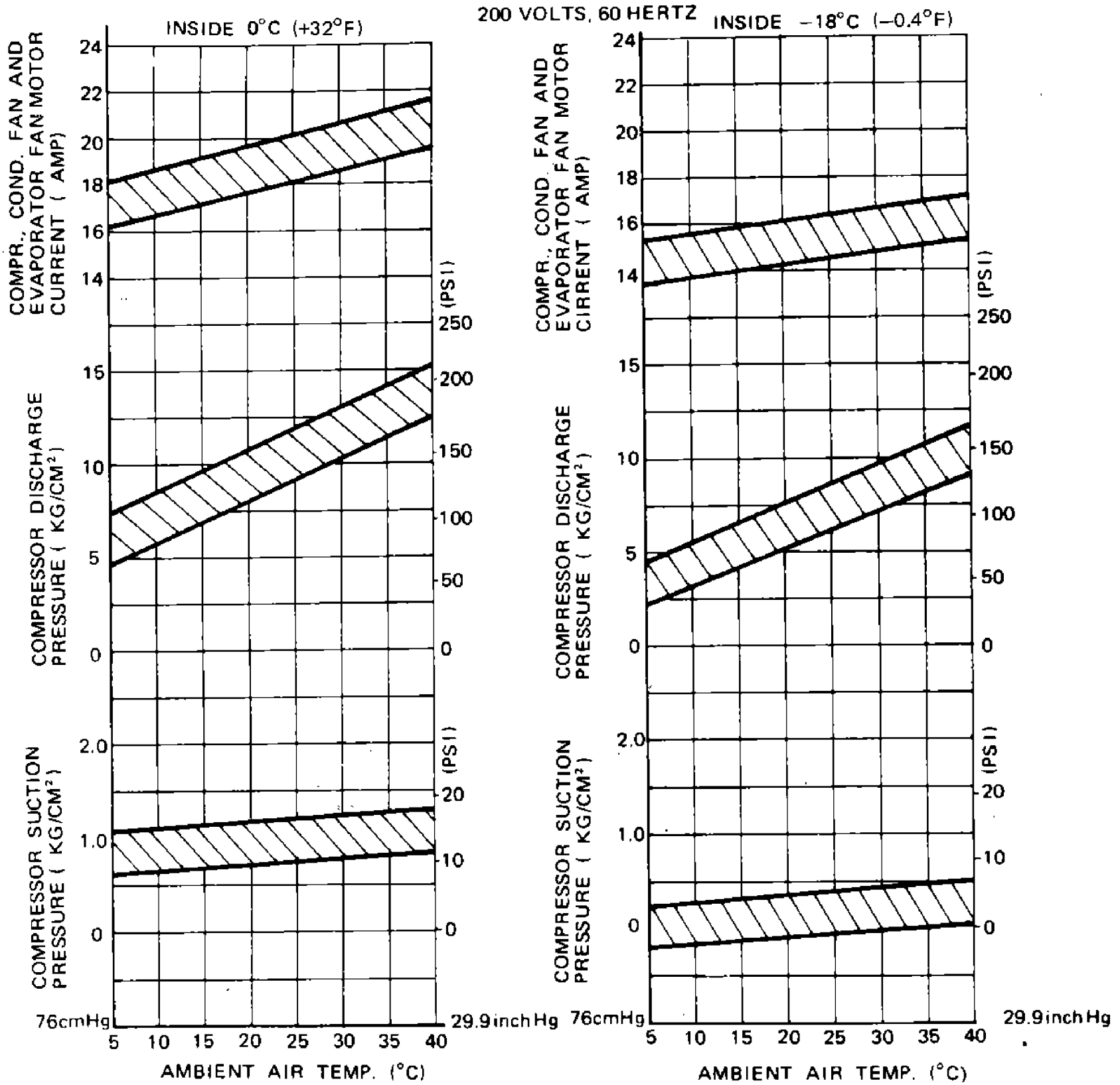


- Applied for (MFG. No. 6300001 ~ 6400180)

(AC220V 50W x 2)



5. Operating pressure and running current



< For reference >

Item	Unit	Value
1 Heater current – during defrosting Measure at primary side of 88H	A	(MFG. No. 6400181 ~ ) 11.5 (AC 220V) (MFG. No. 6300001 ~ 6400180) 10.5 (AC 220V)
2 Running current of condenser fan motor	A	0.7 (AC 220V)
3 Running current of evaporator fan motor	A	3.0 (AC 220V)
4 Bolt tightening torque	kg-cm/lb-ft	435/36 255/21 125/10 55/4.3 250/20.5 55/4.3

Note) Allowable range of tightening torque: ±10%.

## 6. Troubles and countermeasures

If the unit does not work properly, inspect it in accordance with "Troubles and countermeasures" to find cause of trouble and repair it.

### Troubles and countermeasures

State	Phenomena	Functioning places	Cause	Countermeasures	
I. Cooling operation inoperative	A: Condenser evaporator fans and compressor are inoperative.	a. No trouble with unit	<ul style="list-style-type: none"> <li>● Current interruption</li> <li>● Power source is disconnected.</li> </ul>	<ul style="list-style-type: none"> <li>● Trace cause</li> <li>● Connect power source plug to power source.</li> </ul>	
		b. Circuit breaker functions (main circuit)	● It functions due to over current.	● Trace causes and replace.	
		c. Circuit breaker functions (control circuit)	● It functions due to over current.	● Trace causes and replace.	
	B: Evaporator fans operative but condenser fans and compressor inoperative.	a. No trouble with unit	<ul style="list-style-type: none"> <li>● Thermostat functions and stops operation.</li> <li>● Temperature setting is high.</li> </ul>	Readjust temp. setting as designed.	
		b. Oil pressure control	● It is not reset yet.	Repair trouble and push down reset button.	
		c. Solenoid valve does not function.	● Coil is cut out.	Replace it.	
		d. Malfunction of recording temperature controller.	● Damage of capillary tube or mercury leaks out.	Replace it.	
	II. Cooling operation stops soon	A: Condenser fans and compressor stop, keeping evaporator fans in operation.	a. Oil pressure protection switch is functioning.	<ul style="list-style-type: none"> <li>● Oil pressure will not rise.</li> <li>● Oil is short or oil pump is out of order.</li> </ul>	Additional oil charge, or repair oil pump.
			b. No trouble with unit	● Thermostat functions and stops unit	
		B: Condenser fans and compressor operate on and off repeatedly with evaporator fans in operation.	a. Pressure switch functions. ● High pressure side	● Excessive charge of refrigerant.	Discharge refrigerant.
● Air in system				Air purge	
● Insufficient air flow for air cooled operation.					
● Condenser or passage clogged.				Clean or remove obstacles.	
● Fan blade damaged.				Repair or replace.	
● Fan motor does not rotate.					
Capacitor inoperative.				Replace it.	
Fan motor thermostat has functioned.				Trace causes.	
Insufficient water volume for cooling operation.					
● Condenser is clogged with scale.					
● Lower pressure side	Insufficient refrigerant charge	Additional charge, seek leaking positions and repair.			
	Dryer clogging	Replace			
	Moisture chokes.	Exchange dryer.			
	Gas leakage from feeler tube of expansions valve.	Exchange it.			
	b. Over-current relay or compressor protection thermostat has functioned.	Excessive large current due to over-load operation.	Trace causes.		

State	Phenomena	Functioning places	Cause	Countermeasures
III. Inside temp. is lower than temperature setting	A: Compressor inoperative.	a. Solenoid valve will not close.	Clogged with dust.	Replace it.
		b. Thermostat does not function.	Capillary gas shortage	Replace it.
		c. Wrong installation of feeler tube.	Wrong installation of feeler tube.	Reattach it.
IV. Water cooled operation inoperative	A: Fans run continuously after water joints have been connected.	a. Water pressure switch does not function.	Insufficient cooling water volume (clogging or leakage of piping system).	Trace causes.
			Water leakage from water piping to switch.	Repair leaking point.
V. Heating	A: Heater is inoperative.	a. No trouble with unit	Temp. setting of thermostat is lower than $-6.5^{\circ}\text{C}$ ( $20^{\circ}\text{F}$ ) Heating is not required, as load is small.	
			b. Firestat	Insufficient evaporator air volume
VI. Defrosting operation	A: Defrosting does not start.	a. Air switch does not function.	Bad connection, damage or clogging of connecting hose.	Repair or replace.
	B: Defrosting and frozen operation are repeated in a short period of time.	a. Air switch makes an error.	Improper adjustment	Readjustment



7. PTI (Pre Trip Inspection)

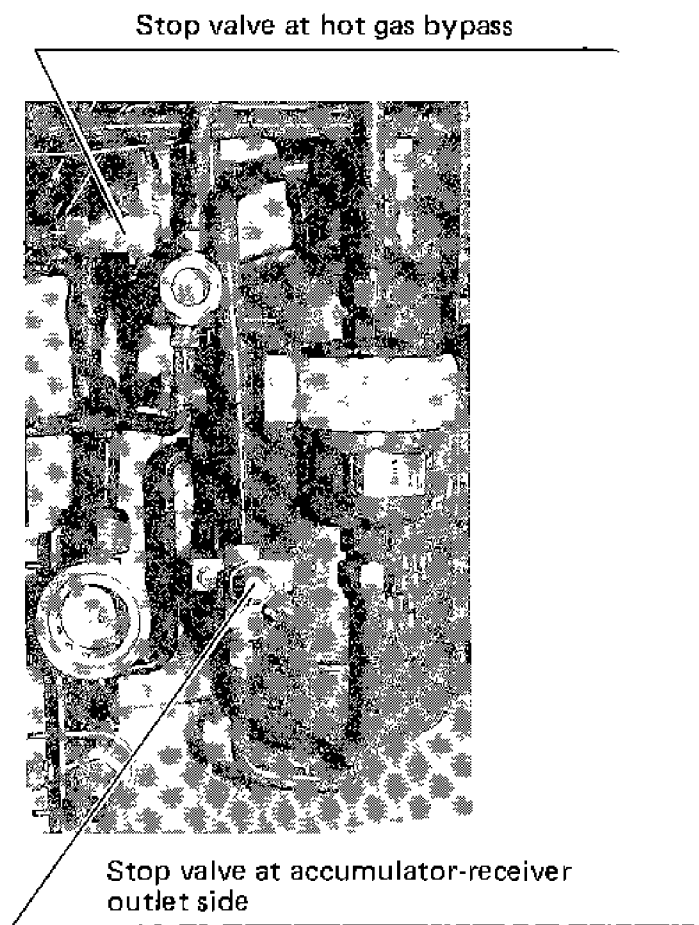
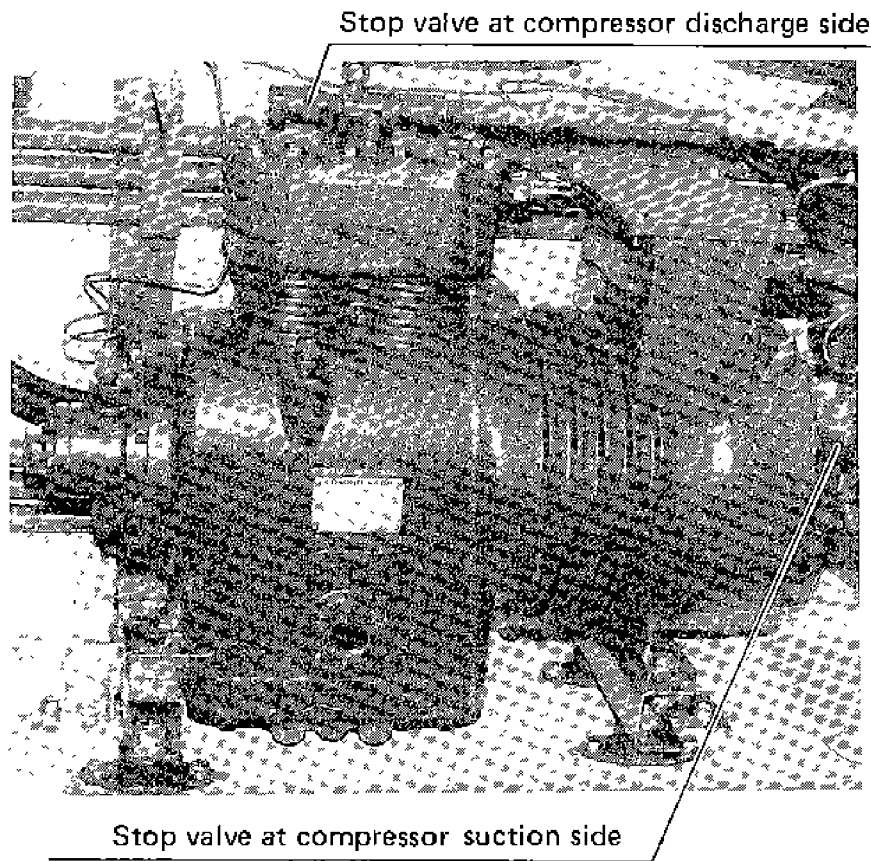
To keep the unit in good operating condition, check adjust or repair the unit when necessary. The following is the checking items of PTI (an example of container refrigeration unit checklist).

Container refrigeration unit inspection card										DAIKIN INDUSTRIES, LTD.		
Ship's name			Unit Model			Date of Inspection						
Container No.			Unit No.			Place of Inspection						
Loaded or empty			Loaded cargo			Compressor No.		Customer's staff				
								Service staff				
No	Result			Check point	Check method	Reference valve						
	DECOS	WKM	RMC									
check before operation	1				External appearance and installation of unit (doors, equipment mount, damaged points)	Visual						
	2				Cleaning interior and exterior of unit	Visual						
	3				Checking smudge of unit (air cooled condenser, evaporator)	Visual						
	4				Checking penetration between inside and outside of unit	Visual						
	5				Checking leakage of gas and oil on refrigerant circuit (mainly at joints)	Gas defector Visual						
	6				Checking external appearance of power cable and plug	Visual						
	7				Cleaning drain hose	Visual	Shall be free from clogging					
	8				Mounted condition of electric heaters	Visual	Make sure that leads are not in contact with heaters					
	9				Cleaning defrost air hose and checking that there is no trap on it	Visual	Shall be free from clogging					
	10				Checking appearance of firestat	Visual	Shall have no damaged part					
	11				Checking appearance of over heat thermistor	Visual	Shall have no damaged part					
	12				Tightened condition of cable glands and monitoring receptacle	Retighten	Make sure that they are firmly tightened					
	13				Checking installation bolt of compressor, fan and fan motors	Retighten with tool	Make sure that they are firmly tightened					
	14				Clearance between fan and fan guide	Visual	Shall be kept suitable clearance					
	15				Sealing at control box, and PS box, etc	Visual	Packing and sealing Shall have sufficient contact					
	16				Slackness of electric terminals and appliance installation	Visual, driver						
	17				Thermal injury of contactors, relays, and coils	Visual						
18				Insulation resistance	Compressor circuit <input type="checkbox"/> MΩ Electric heater circuit <input type="checkbox"/> MΩ Evaporator fan motor circuit <input type="checkbox"/> MΩ	DC 500V megger	2MΩ or more					
19				Checking operation of defrost initiation air switch	Check with manometer	5HP 20 mm H <sub>2</sub> O CUT IN 7 1/2HP 25 mm H <sub>2</sub> O CUT IN						
20				Checking operation of oil pressure switch	Confirm normal function during running	1.0 kg/cm <sup>2</sup> 0.5 kg/cm <sup>2</sup> (110Sec. at 25°C)						
21				Checking noise and vibration of compressor, fans and fan motors	Touch and listen							
22				Checking circulating refrigerant	Check liquid indicator	Make sure that it is filled						
23				Checking water ingress in refrigerant	Check liquid indicator	Green...sporlan/Deep blue...Alco						
24				Checking compressor oil level (operating condition)	Check at compressor oil level gauge	⊖ (Oil level 1/4~3/4)						
25				Checking operation of controller and pilot lamps	Check with changing temperature setting and check pilot lamps							
26				Checking accuracy of recorder (at inside temperature 0°C)	Measuring temperature with controller or thermometer							
27				Confirming function of recorder and battery	Visual or check with battery checker							
28				Checking manual defrosting operation	Manual defrost switch or test switch on controller							
28				Electric heater Operation and current R <input type="checkbox"/> S <input type="checkbox"/> T <input type="checkbox"/>	Clamp meter							
29				Checking function of defrost termination	Visual (lamp or controller)							
30				Unit operation current R <input type="checkbox"/> S <input type="checkbox"/> T <input type="checkbox"/>	Clamp meter 18°C <input type="checkbox"/> V <input type="checkbox"/> Hz							
Check during operation	31			Checking operation of dual pressure switch	H-CUT OUT <input type="checkbox"/> kg/cm <sup>2</sup>	Blind air inlet	20 kg/cm <sup>2</sup>					
					L CUT OUT <input type="checkbox"/> mm Hg <sub>v</sub>	Accomplish pump down by use of the stop valve at the accumulator receiver or water cooled condenser	40 mm Hg <sub>v</sub>					
					L CUT IN <input type="checkbox"/> kg/cm <sup>2</sup>		0.2 kg/cm <sup>2</sup>					
	32			Checking operation of water pressure switch	Checking switch over from water-cooled to air-cooled operation	Disconnect water coupling	Condenser fan motor shall operate					
					Checking switch over from air-cooled to water-cooled operation	Connect water coupling and supply water	Condenser fan motor shall stop					
	33			Checking voltage Change over	Checking 200V class operation	Turn voltage selector lever upward (LKE TYPE) downward (LK TYPE)						
					Checking 400v class operation	Turn voltage selector lever downward (LKE TYPE) upward (LK TYPE)						
	34				Inside temperature °C <input type="checkbox"/>	0°C	-18°C	Automatic operation at -18°C				
					Ambient temperature °C <input type="checkbox"/>	in one cycle						
					LP kg/cm <sup>2</sup> <input type="checkbox"/>	COMP, OFF <input type="checkbox"/> M						
HP kg/cm <sup>2</sup> <input type="checkbox"/>					COMP, ON <input type="checkbox"/> M							
34				Operating time <input type="checkbox"/> Hr	Immediately after operation	Operation <input type="checkbox"/> Hr	Automatic <input type="checkbox"/> Hr					
				Starting <input type="checkbox"/> M	18°C <input type="checkbox"/> M	Operation <input type="checkbox"/> M						
35				Checking automatic defrosting	Defrost time <input type="checkbox"/> M	Push the "DEFROST TEST" → defrost starts (out-range 14sec after taking (in-range : 43sec.						
36				Place new chart								
37				Close control box and PS. box, etc.								
38				Record details of service on history cards								

## 8. How to maintenance

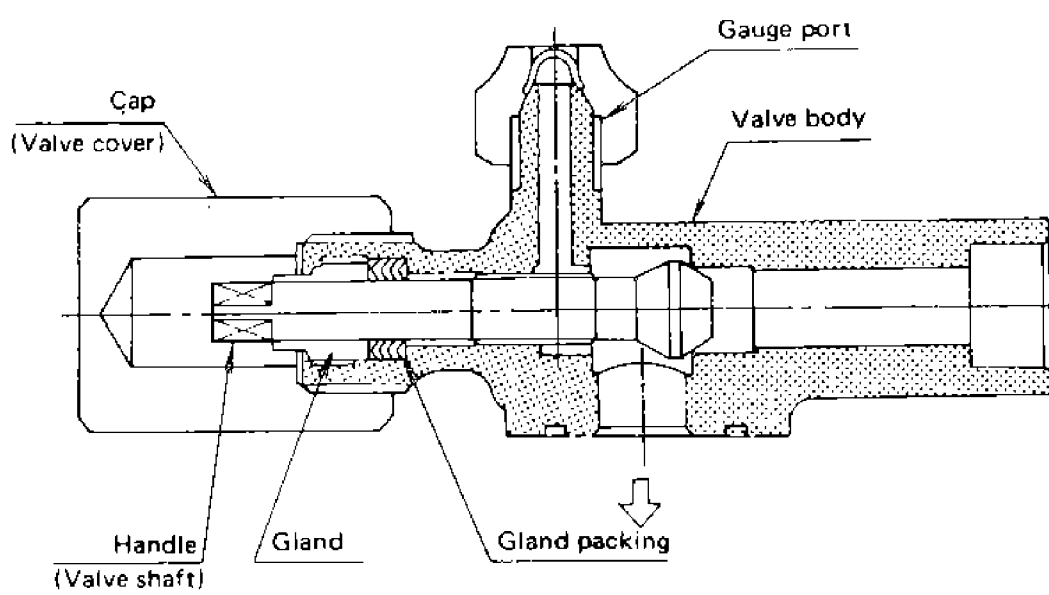
### 8.1 Handling method of the stop valve

#### (1) Place of the stop valve and its kind

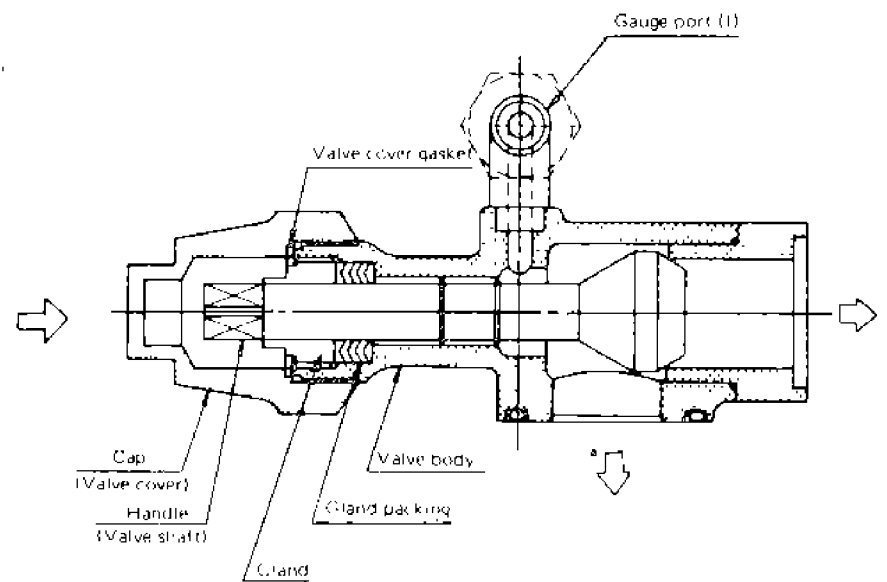


#### (2) Structure of stop valve

##### 1 Stop valve at compressor discharge side (VSH10VAP-5S)

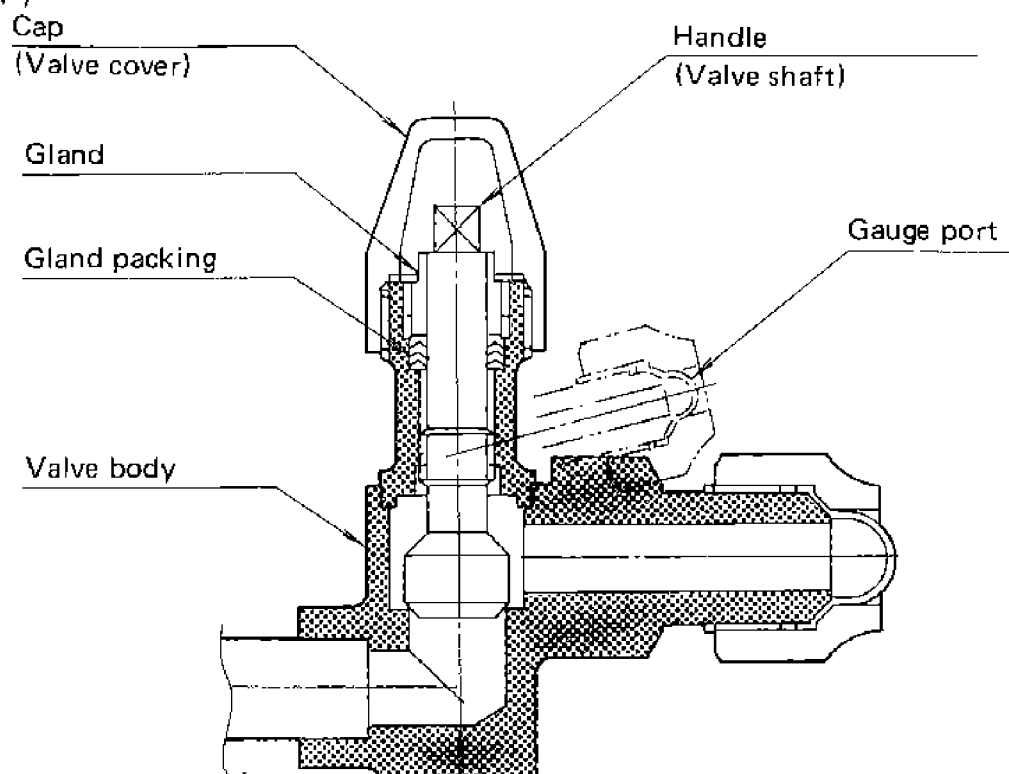


##### 2 Stop valve at compressor suction side (VSH22XBP)

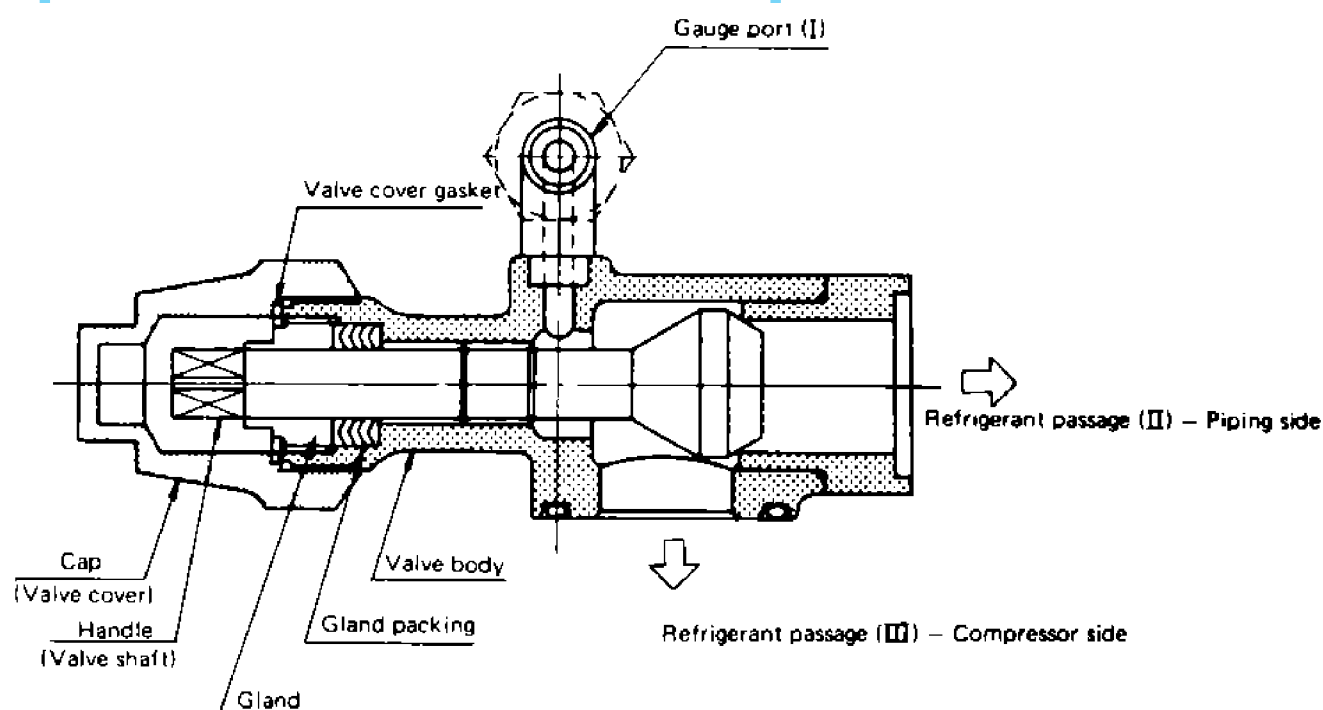


##### 3. Stop valve at accumulator-receiver with heat exchanger outlet side

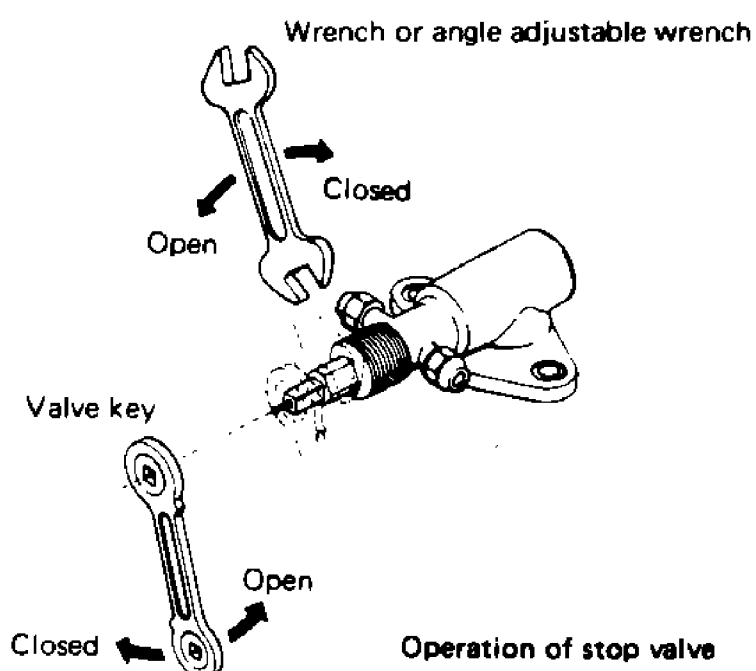
##### Stop valve at hot gas bypass (VSV10CBP-4S-4F)



**(3) Handling method**



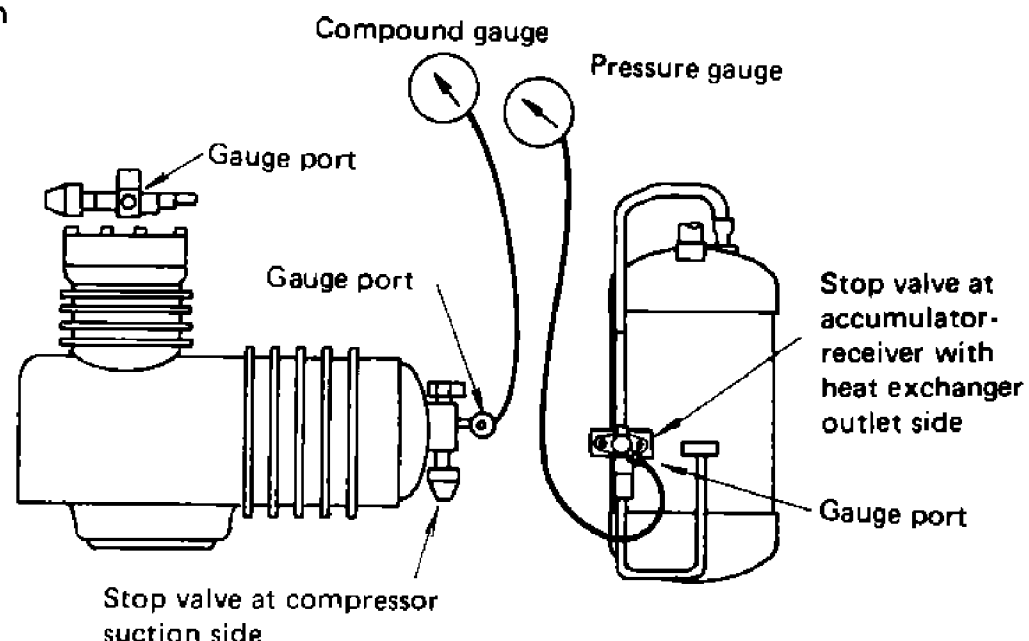
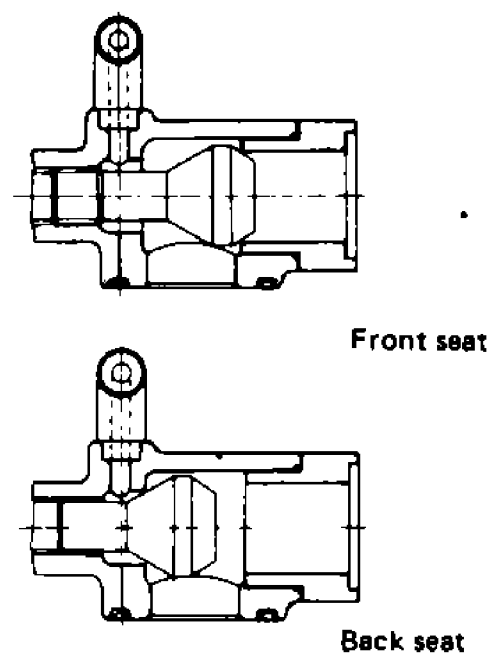
- 1) Remove the valve cap. At this time, be careful not to lose the gasket.
- 2) Loosen the gland in a way the refrigerant is not extracted.
- 3) Fully close the handle . . . . . The refrigerant passage I is connected to III (Front seat)
- 4) Fully release the handle . . . . . The refrigerant passage II is connected to III (Back seat)
- 5) Set the handle at the neutral position . . . . . The refrigerant passage I is connected to II and III.
- 6) The refrigerant passage differs with the procedure mentioned in 3, 4, or 5. So select the best passage by necessity.
- 7) Operate the handle, tighten the gland and place the valve cap as it was after completion of the work. At this time, do not forget to attach the gasket.



**8.2 Attaching or removing points of pressure gauge**

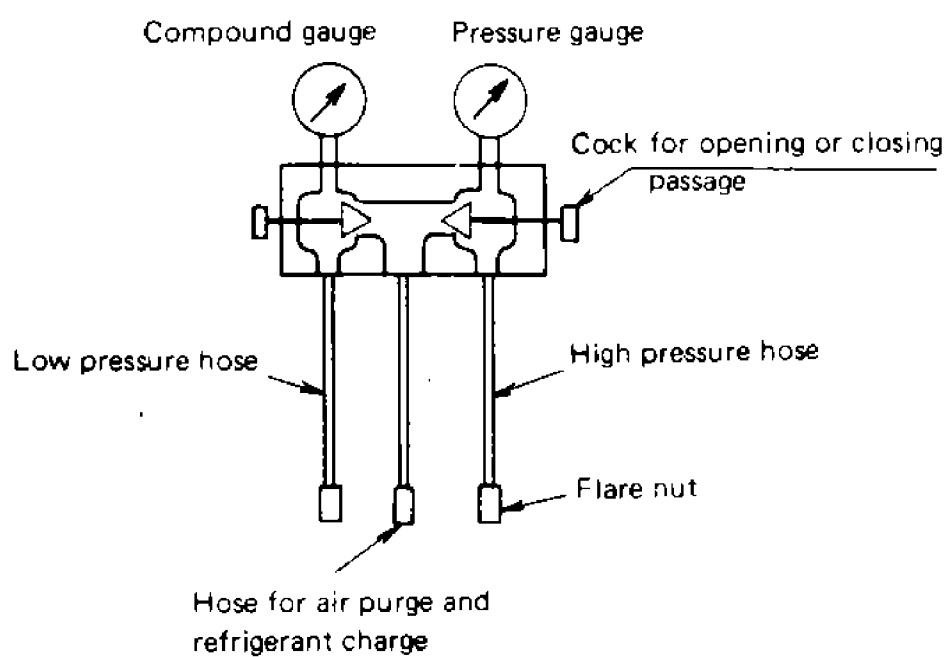
**(1) Attaching a general pressure gauge**

- 1) After opening the compressor suction valve and the accumulator-receiver valve fully (back seat), connect a pipe to the gauge port.
- 2) Loosen a little the flare nut on the pressure gauge side and tighten the handle of the stop valve a little (Middle seat) and return it at once. Thus the air is purged.
- 3) After purging the air, accurately tighten up the flare nut on the pressure gauge side.
- 4) Close the handle of the stop valve a little, and confirm that the needle of the gauge rises.
- 5) Be certain that the needle of the pressure gauge does not oscillate during the operation of the unit. If it oscillates, do not close the gauge port fully and open the handle of the stop valve a little.
- 6) In case the pressure gauge is attached to the low pressure side, if the low pressure is lower than the atmospheric pressure, the air is drawn in the piping during the air purging. So install the pressure gauge after confirming that low pressure is higher than the atmospheric pressure.
- 7) Operate the unit and confirm that the unit is stopped without pump down.

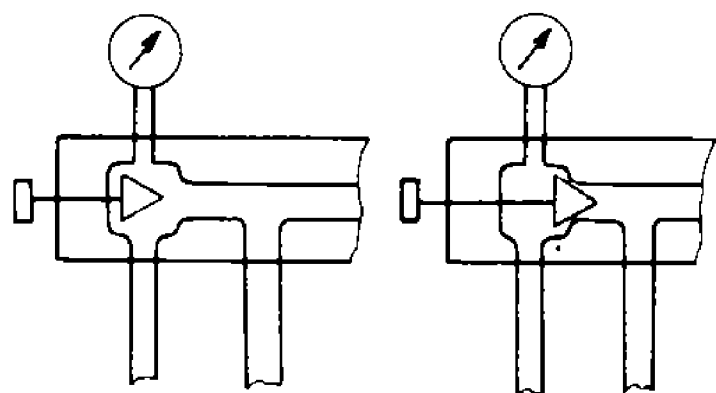


**(2) Attaching the gauge manifold**

- 1) With regard to mounting points, note the same caution as that for general pressure gauges.
- 2) Open the cocks which are attached to the both sides of the gauge manifold when mounting. Loosen the blind cover of the centre hose, and close the gauge port for the compressor suction valve and the accumulator-receiver outlet valve. (Back seat)
- 3) Attach the flare nut of the hose of the manifold on the high pressure side tightly and the on the low pressure side loosely.
- 4) Loosen the accumulator-receiver outlet valve and vent the air from the hose on the low pressure side and the centre hose and then once again keep the stop valve in the back seat state. After that tighten up the flare nut on the low pressure side.
- 5) After closing the cocks of the gauge manifold, keep the cock of the compressor suction valve and accumulator-receiver outlet valve at the neutral seat and measure pressure.



Structure of gauge manifold



Opening state

Closing state

Opening and closing states of gauge manifold

**(3) Removing the pressure gauge and the gauge manifold, as stated below.**

When the high pressure hose is removed, note that the liquid refrigerant in the hose may jet out, which is very dangerous.

- 1) Hold the handle of the stop valve in the back seat state, and close the gauge port.
- 2) Open the cock (in case of gauge manifolds) or the flare nuts (in case of general pressure gauges) a little to extract the refrigerant from the hose.

At this time, do not open it suddenly so as not to joint out liquid refrigerant.

- 3) After extracting the refrigerant from the hose, remove the pipe connection for the gauge piping.
- 4) Place the blind cover on the gauge port of the stop valve, accurately tighten up the flare nut and confirm no refrigerant leaks.

**Note:** Since the blind cover is very small, be careful not to lose it.

**8.3 Pump down**

Pump down means that the refrigerant in the refrigeration circuit is liquidized and collected in the Accumulator-receiver with heat exchanger. This work is required to repair the refrigeration circuit for minimizing leaking volume of the refrigerant and risks due to pressure rising.

< Working procedure >

- 1) Install pressure gauges to the high pressure side the low pressure side.
- 2) Operate the refrigeration unit (either on water cooled or air cooled operation)
- 3) Close the accumulator-receiver outlet valve.
- 4) Stop the operation when reading of the low pressure gauge becomes  $0.1 \text{ kg/cm}^2$  and close the compressor discharge valve.
- 5) After a short while, read the low pressure gauge. If pressure rises, open the compressor discharge valve and repeat the same procedure.
- 6) Repeat the same procedure two or three times, and the refrigerant is collected in the accumulator-receiver with heat exchanger. If no pressure gauge is attached, the unit is stopped by the low pressure setting of the dual pressure switch.

## 8.4 Charging and purging the refrigerant

### (1) Purging non-condensable gas

If non-condensable gas such as air exists in the refrigeration circuit, it is collected by the accumulator-receiver with heat exchanger, which raise pressure in the accumulator-receiver with heat exchanger abnormally high and reduces heat transferring ratio of the condenser surface. It is, therefore, very important to extract non-condensable gas.

If discharge pressure is abnormally high (even though cooling water volume is increased, in case of water cooled operation) and will not return to the normal pressure, inspect if non-condensable gas such as air exists in the following method.

- Stop the compressor, close the accumulator-receiver outlet valve and wait until leaving and entering cooling air (or water) of the air (water) cooled condenser become equal. If there is any difference between saturated pressure corresponding to cooling air (water) and condensing pressure, non-condensable gas exists.

In this case, purge non-condensable gas as stated below.

- 1) Accomplish pump down
- 2) Condense the refrigerant as much as possible, and then discharge it from the gauge port of the compressor discharge valve.
- 3) Discharge the condensed refrigerant repeatedly reading the pressure gauge until condensing pressure becomes saturated pressure.

### (2) Refrigerant purge

There are two methods of refrigerant purge; i.e. one is for collecting the refrigerant extracted in a cylinder and the other is for discharging it to the atmosphere.

#### (a) Collecting the refrigerant in a cylinder

- 1) Prepare an empty cylinder which has been dried by forming vacuum inside and weigh it.
- 2) The cylinder is connected to the gauge port of the Accumu-receiver with heat exchanger by piping with the cylinder cock closed, and then loosen the flare nut on the cylinder side a little to vent the air from the piping.
- 3) Operate the refrigeration unit to pump down the refrigerant.
- 4) After completion of pump down, open the gauge port of the accumulator-receiver with heat exchanger and then open the cock of the cylinder to collect the liquid refrigerant into the cylinder.
- 5) After collecting the refrigerant, close the gauge port and the cock and then remove the piping.
- 6) Be certain that the refrigerant has been collected in the cylinder by weighing it.
- 7) As for the refrigerant remaining in the refrigeration circuit, extract it to the atmosphere.

#### (b) Extracting the refrigerant to the atmosphere

- 1) Open the gauge port on the suction side of the compressor to extract the gaseous refrigerant to the atmosphere.
- 2) Do not open the compressor discharge valve or the gauge port of the accumulator-receiver with heat

exchanger, otherwise the refrigerant oil and the liquid refrigerant are discharged, which may result in shortage of oil or getting chillblains.

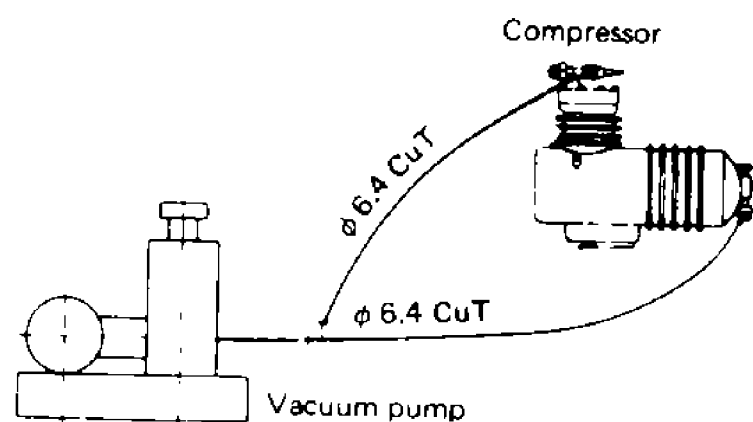
- 3) Do not extract the refrigerant in a closed room and also confirm there is no fire around it. Although the refrigerant is non-toxic, there may be fear of suffocation. In addition, if the refrigerant contacts with fire, it yields phosgene gas (toxic gas).

### (3) Vacuum drying and charging refrigerant and refrigeration oil

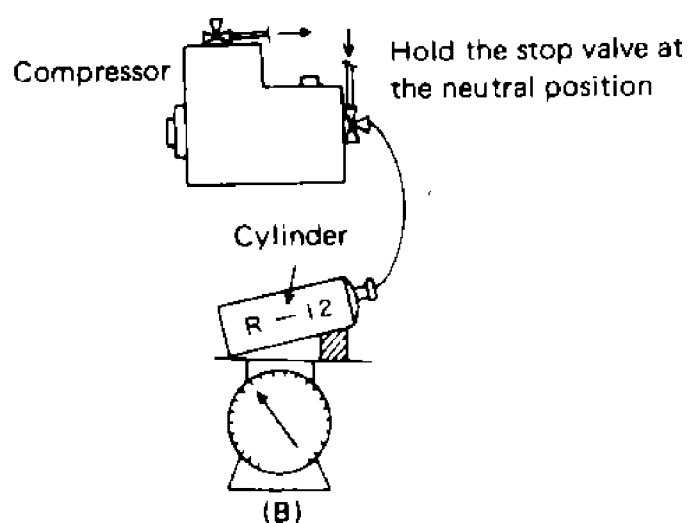
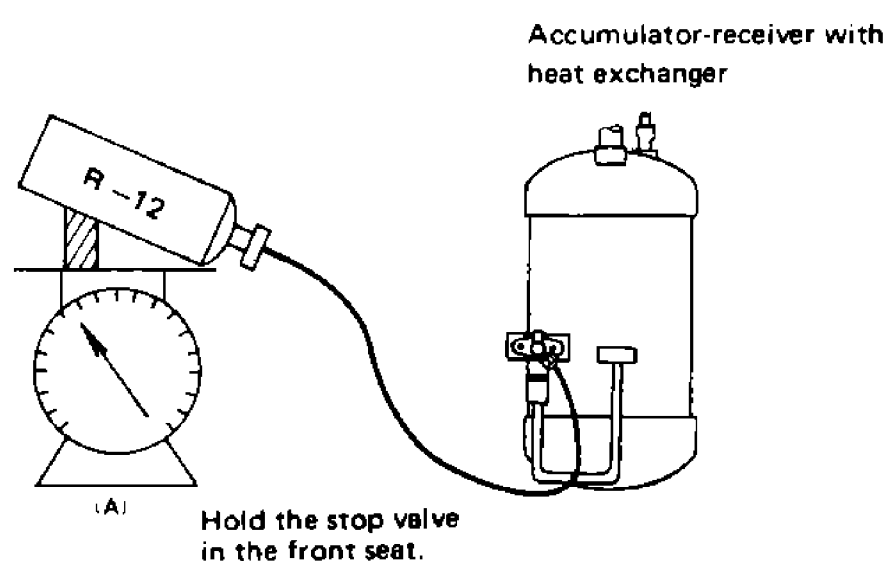
If all the refrigerant has leaked out and the air is intermixed in the refrigeration circuit, repair a cause of trouble and do vacuum drying. Then charge the predesigned volume of refrigerant. In case the refrigerant oil is replaced, do the same.

(Required tools)

1. Refrigerant cylinder (20 kg) for R-12 ( $\text{CCl}_2\text{F}_2$ ) with mouth piece
  2. Refrigeration oil (20l can) SUNISO 3GS-DI
  3.  $\phi 6.4$  CuT (with two flare nuts)
  4. Pressure gauge ( $20 \text{ kg/cm}^2$ ), compound gauge ( $10 \text{ kg/cm}^2 \times 75 \text{ cmHg}$ ) } or gauge manifold
  5. Weighing scale (Up to 50 kg)
  6. Tools
  7. Vacuum pump
- (a) In case the refrigerant is replenished without exchanging the refrigeration oil.
- 1) Connect the vacuum pump to the gauge ports of the compressor suction and discharge valves, form vacuum down to 76 cmHg, hold the stop valve in the back seat state and then remove the vacuum pump, leaving the vacuum state in the refrigeration circuit. However, when air enters in the refrigeration circuit, form the vacuum in the circuit down to 76 cmHg and leave it for more than 2 hours (vacuum drying).



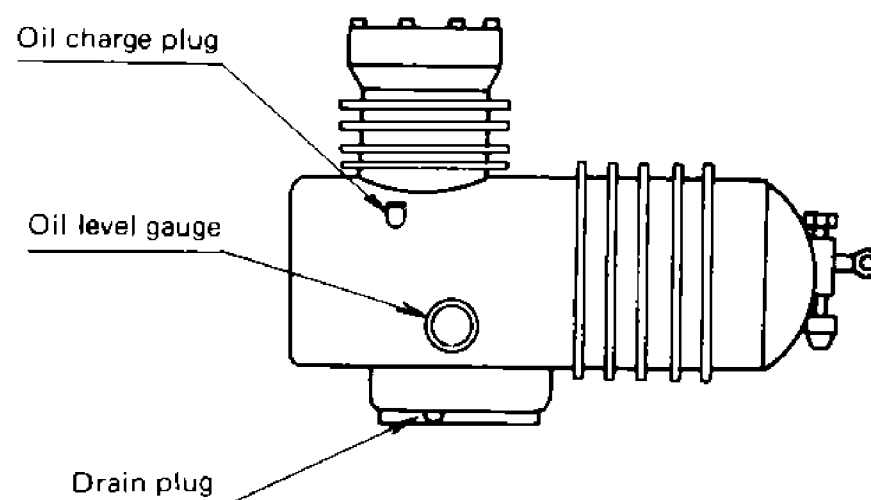
- 2) To evacuate the refrigeration circuit between the solenoid valve and expansion valve, reduce pressure of the circuit below the preset level of the low pressure switch lower the presetting level of the set point selector, operate the refrigeration unit, and open the solenoid valve for evacuation. At this time (vacuum drying), the compressor remains idle since the low pressure switch is off, and the solenoid valve alone open.



- 3) Place a refrigerant cylinder on the weighting scale, and record its weight.
- 4) In case the refrigerant is charged in the liquid state, do it as shown in the above figure (A). Prevent the liquid refrigerant collected in the accumulator-receiver with heat exchanger from flowing to the low pressure side. If the refrigerant is hardly charged, operate the compressor to charge it.
- 5) In case the refrigerant is charged in the gaseous state, do it as shown in the above figure (B). If the refrigerant is hardly charged, operate the compressor to charge it.
- 6) Charge the predesigned volume of the refrigerant in the above stated methods either in 4 or 5.
- 7) After completion of refrigerant charge, hold the stop valve in the back seat state and confirm that if the predesigned volume of the refrigerant has been charged by operating the refrigeration unit.

- (b) Charging the refrigerant as well after replenishment of refrigerant oil

- 1) Extract the refrigerant oil. → Firstly discard all the gas so that pressure in the refrigerant circuit becomes 0. Then loosen the drain plug at the bottom of the compressor to extract all the oil. At this time, firstly open the oil charge plug and then the drain plug to prevent the oil from jetting out.



- 2) Tighten up the drain plug.
  - 3) Charge the predesigned volume of the oil from the charge plug of the compressor.
  - 4) Accomplish vacuum drying and refrigerant charge stated in (1).
  - 5) Be sure to stop the compressor while this work is accomplished.
  - 6) When the refrigeration oil is discarded, be sure to remove the oil level gauge for cleaning.
  - 7) Recommendable refrigeration oil is SUNISO 3GS-DI. SUNISO 3GS – DI is superior to SUNISO 3GS in heat resistance. Maker of SUNISO 3GS – DI is SUN OIL CO., LTD. (U.S.A.)
  - 8) Do not mix two refrigeration oils.
  - 9) Do not use oil which is left opened to the atmosphere for a long time, as it may contain water. In case oil still remains in the oil can after charging, be sure to cap it.
- (c) In case only the refrigeration oil is exchanged.
- 1) Operate the refrigeration unit to pump down the refrigerant by use of the stop valve at the outlet of the accume-receiver with heat exchanger and stop it when low pressure becomes  $0.1 \text{ kg/cm}^2$ .
  - 2) Tighten up the discharge valve of the compressor.
  - 3) Open the gauge port on the suction side to extract the refrigerant on the low pressure side.
  - 4) Charge the oil from the oil charge plug. At this time, form the vaccum gradually to hasten oil charge.
  - 5) Restore the stop valve to its original state.