

<https://daikin-p.ru>

**DAIKIN**

Marine type

Container Refrigeration Unit

---

Service manual

< Supplement >

Explanation of setting  
for  
Option function setting mode  
and  
Option condition setting mode

LXE10CA

LXE10CA-A

LXE5C

LXE5C-A

**DAIKIN INDUSTRIES, LTD.**

TR96-05

This manual is described how to set option function setting mode and option condition setting mode in service manual (TR94-02B) [ 3.2 Panel operation (P66)] for marine type container refrigeration unit.

This manual is for below cases.

- ① Change setting value of option function setting mode and option condition setting mode
- ② Change the controller (DECOS III a)

Refer to service manual (TR94-02B) as well.

## <Option function setting mode>

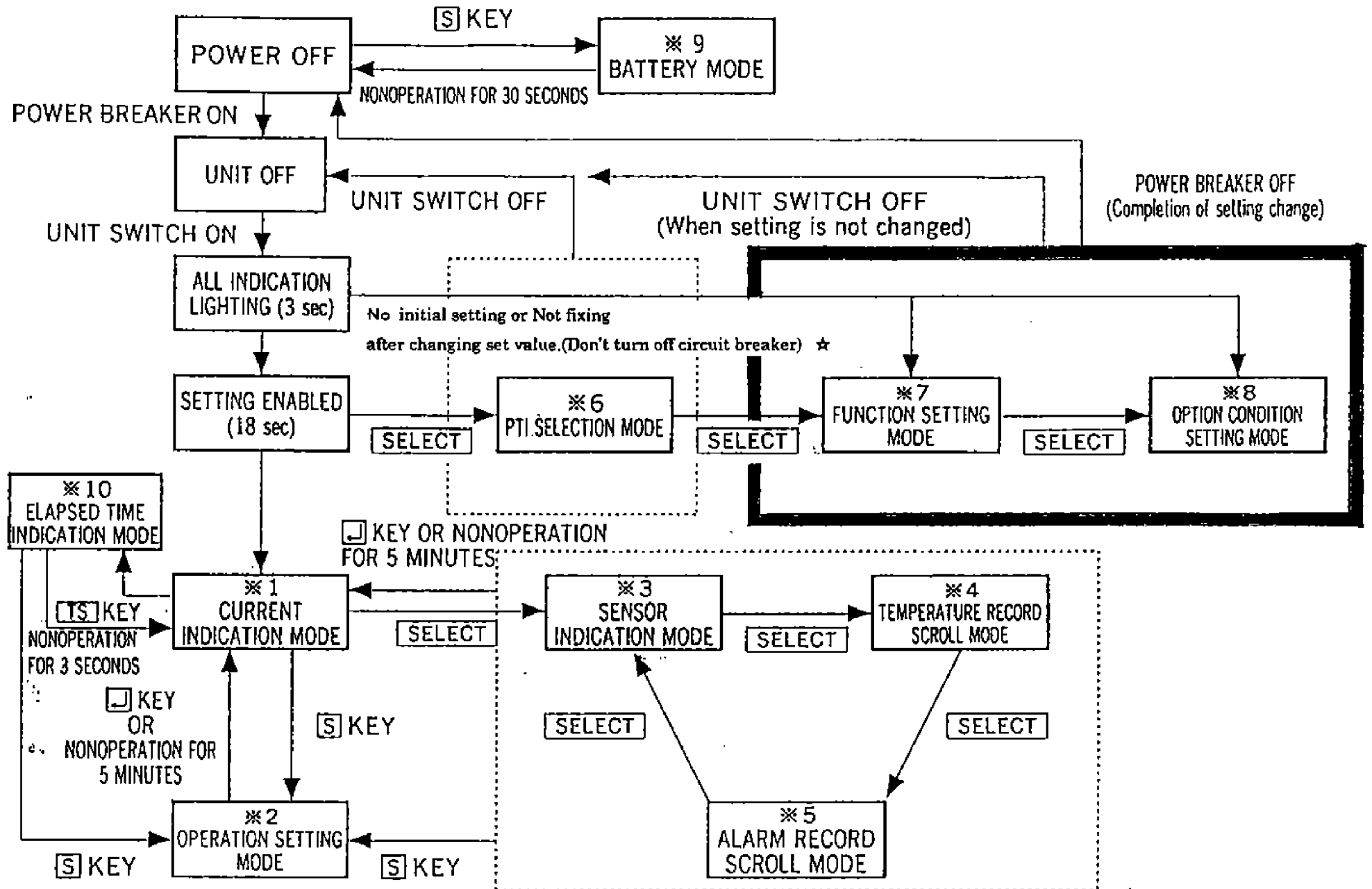
The following basic informations can be set and checked.

USDA sensor (Provided/Not provided), Humidity sensor (Provided/Not provided),  
Hose power setting (5HP/10HP), Logging interval setting (15min,30min,60min),  
Data recorder sensor (Provided/Not provided), Power input setting (Single/Dual),  
ATO control (Provided/Not provided)

## <Option condition setting mode>

Setting For flower bulb transportation and setting of H code D code for chartless function can be made.

1. Indication mode flow chart ( Refer to service manual : P66)



※ [SELECT] indicates that both UP key and DOWN key are held down simultaneously for 3 seconds.

As to setting mode circurated by  , this manual is described .

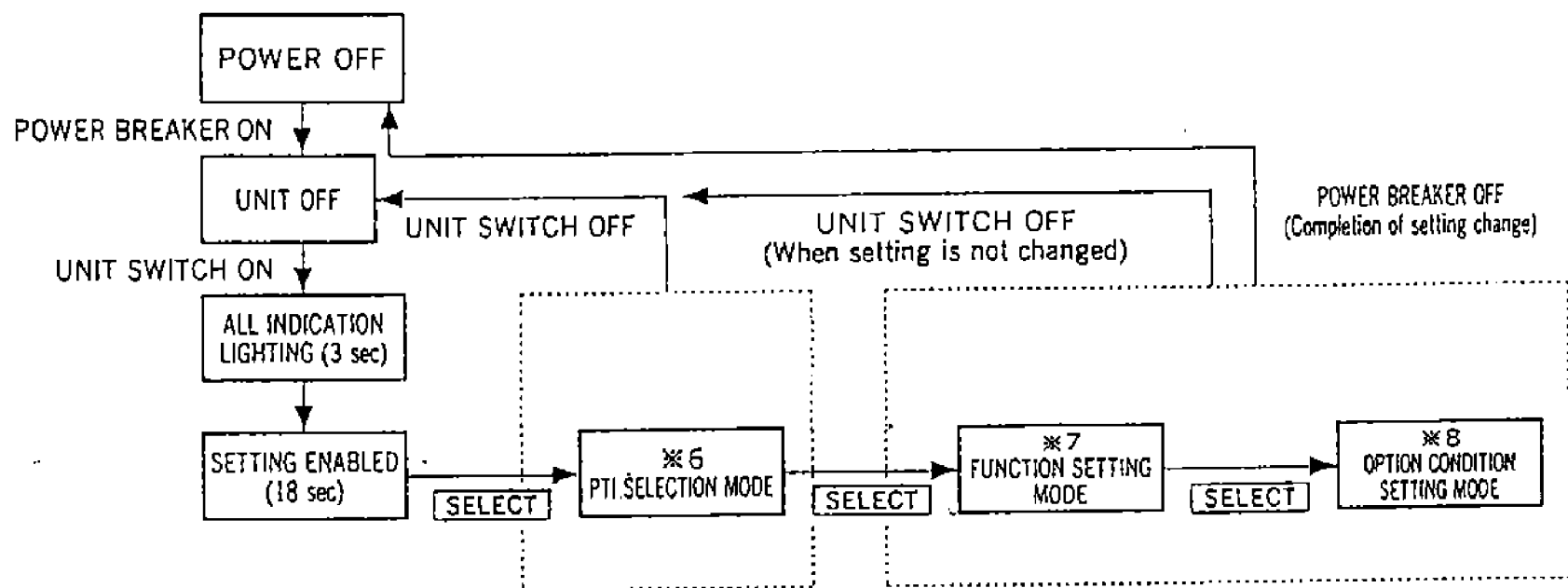
## 2. How to change setting value

### 1) Change setting value of Option function setting mode

- ① If unit switch is ON, turn OFF it.
- ② Turn ON the unit switch. After 3 seconds, LCD and LED light.  
After that within 18 seconds, press  $\Delta$  and  $\nabla$  keys together for 3 seconds or more.
- ③ Controller display PTI selection mode. Press  $\Delta$  and  $\nabla$  keys together for 3 seconds or more further. Controller display Option function setting mode.
- ④ According to ' 4. Panel operation ', change setting value of this mode.
- ⑤ Turn off circuit breaker without fail. (To fix setting value)

### 2) Change setting value of Option condition setting mode.

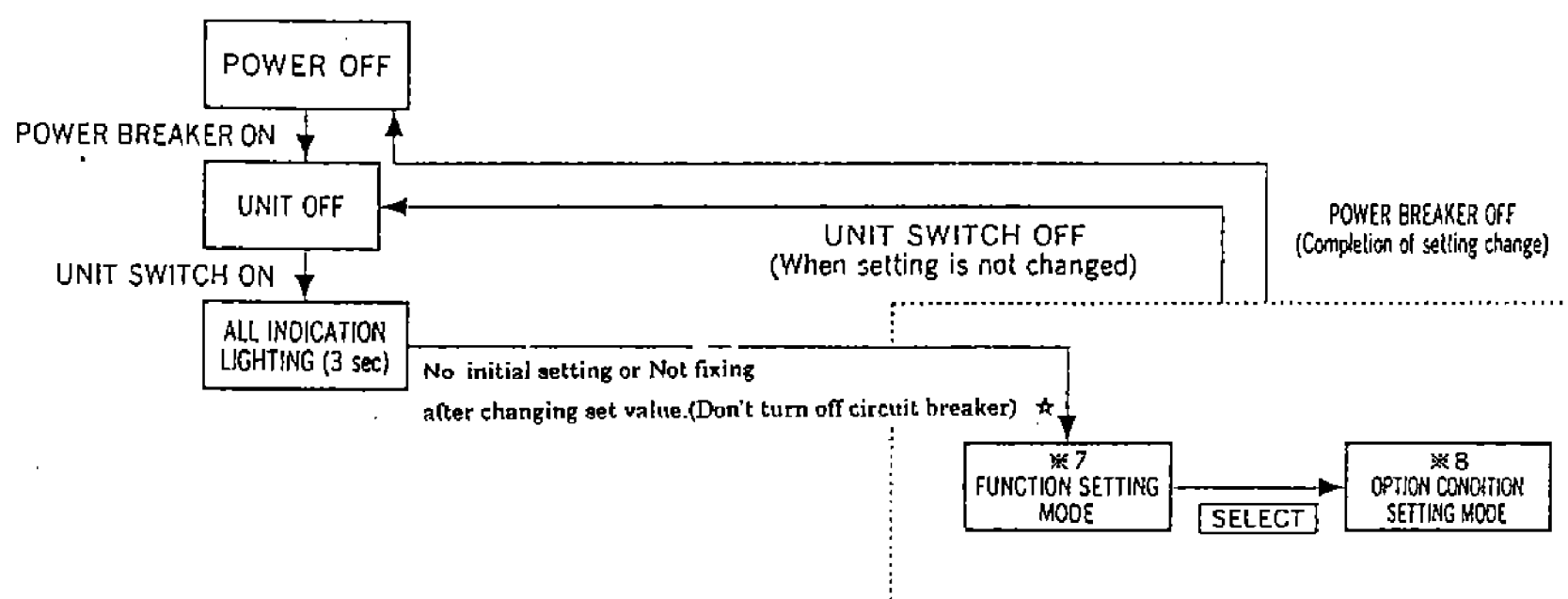
- ① ( Same procedure toward Option function setting mode )
- ② Press  $\Delta$  and  $\nabla$  keys together for 3 seconds or more further.
- ③ Controller displays Option Condition setting mode. According to ' 4. Panel operation ', change setting value of this mode.
- ④ Turn off circuit breaker without fail . (To fix setting value)



## 3. Case of controller exchange

(Please make initial set without fail.)

- ① After exchanging the controller, circuit breaker and unit switch are turned ON.
- ② After 3 seconds, all LED/ LCD light on. Controller displays **Option function setting mode** automatically. According to '4 Panel operation', Make initial setting.
- ③ After fixing **Option function setting mode**, press  $\Delta$  and  $\nabla$  keys together for 3 seconds. Controller displays **Option condition setting mode**. According to '4 Panel operation', make initial setting
- ④ After fixing **Option condition setting mode**, turn off circuit breaker without fail.  
(To fix setting value)



- ☆ (Caution) If unit switch is turned off after changing the setting value.  
( Circuit breaker is not turned off )

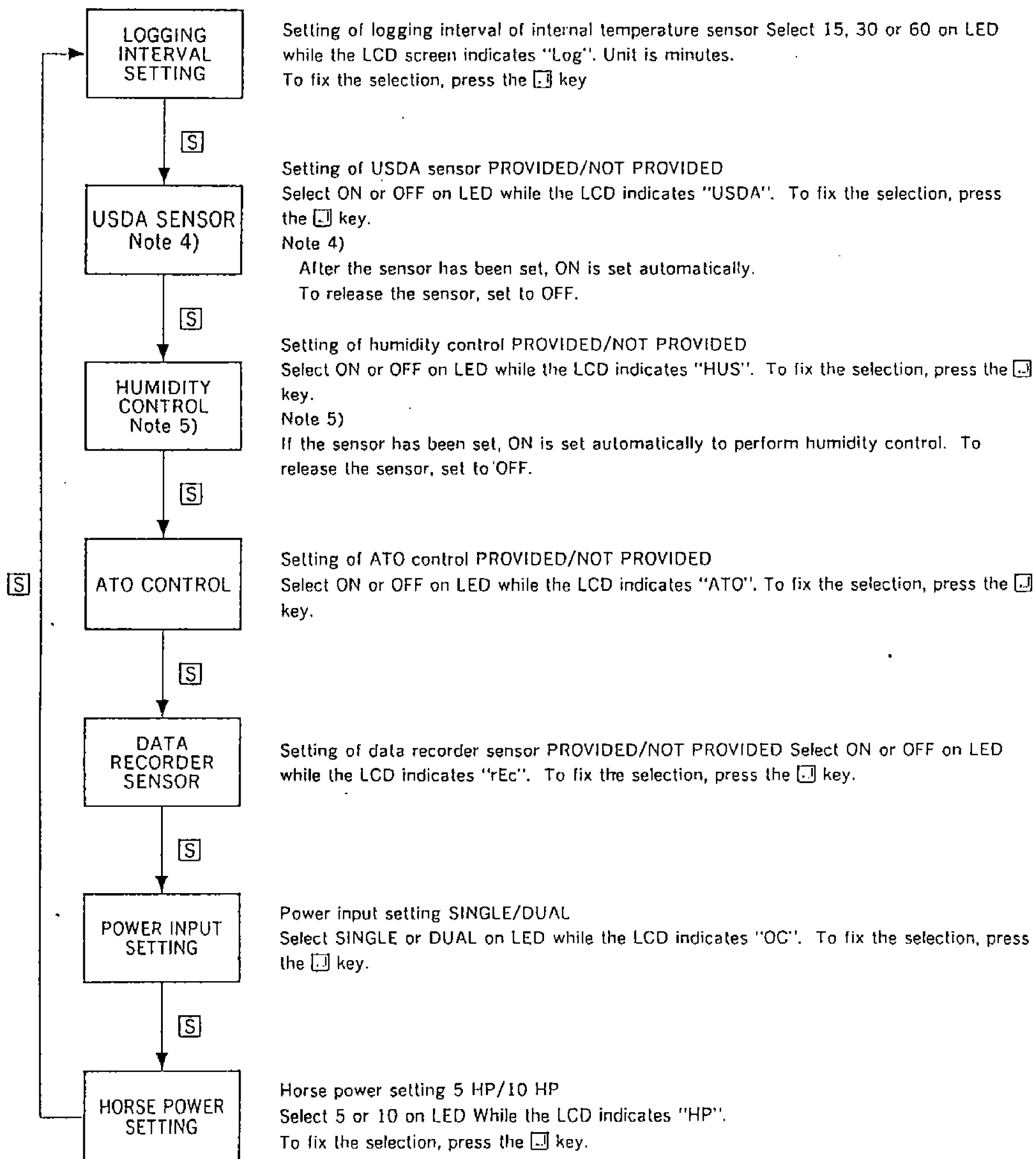
At this case, controller can't recognize change of setting value. When unit switch is turned on, controller displays last setting mode (Option function setting mode or Option condition setting mode) automatically. To fix the setting value, Turn off the circuit breaker.

#### 4. Panel operation

##### 1) Option function setting mode

Setting can be changed by using the  or  arrow key. LED blinks during selection. After selection is fixed, LED begins to light stably.

After fixing the setting once turn off the power breaker.



## 2) Option condition setting mode

To change setting, use the  or  arrow key. To fix the change, press the  key. LED blinks during selection. After selection is fixed, it begins to light stably.

The underline item below can be changed.

Initial values are shown for explanation.

After fixing the setting once turn off the power breaker.

